

O-1A/L-19A & O-1E/L-19E Birddog

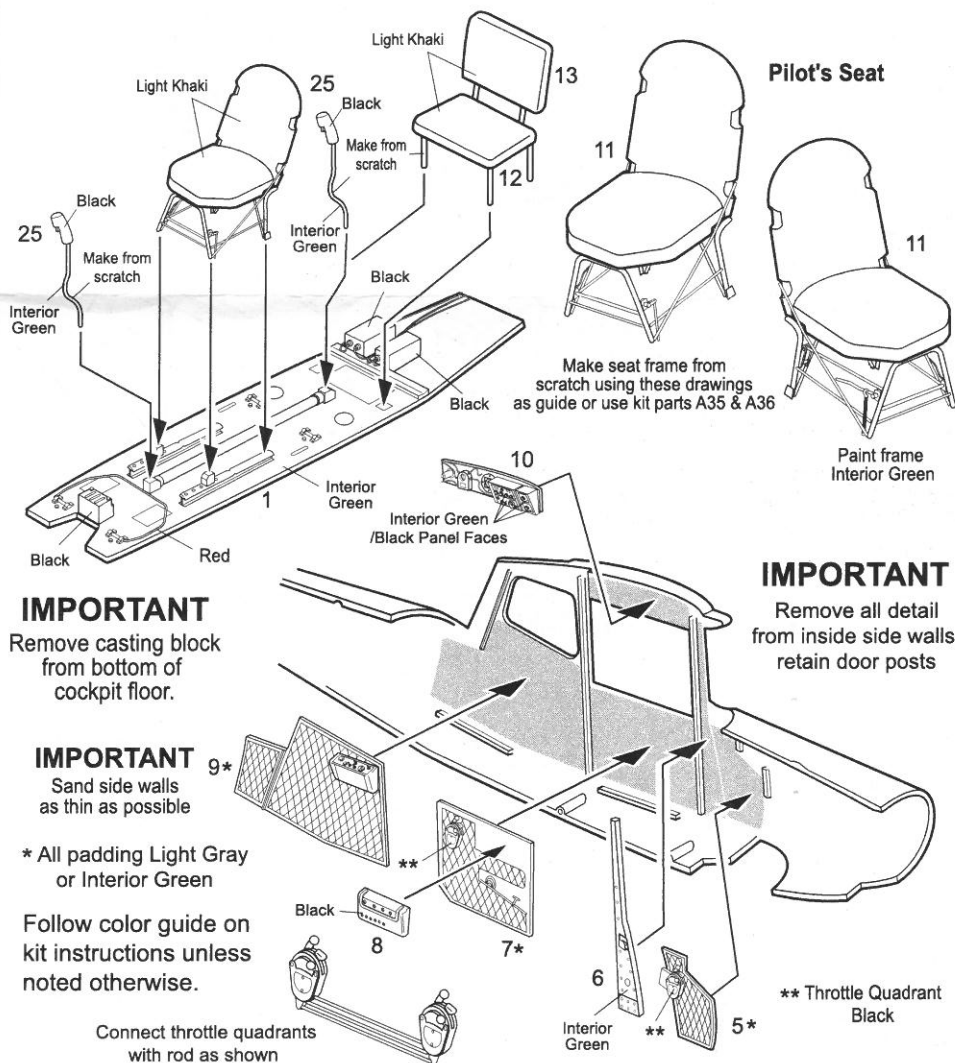
For 1/48 Model USA Kit (0001)

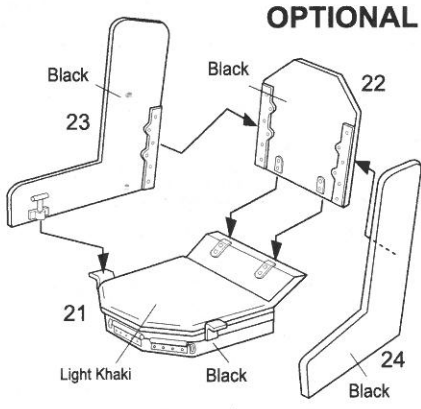
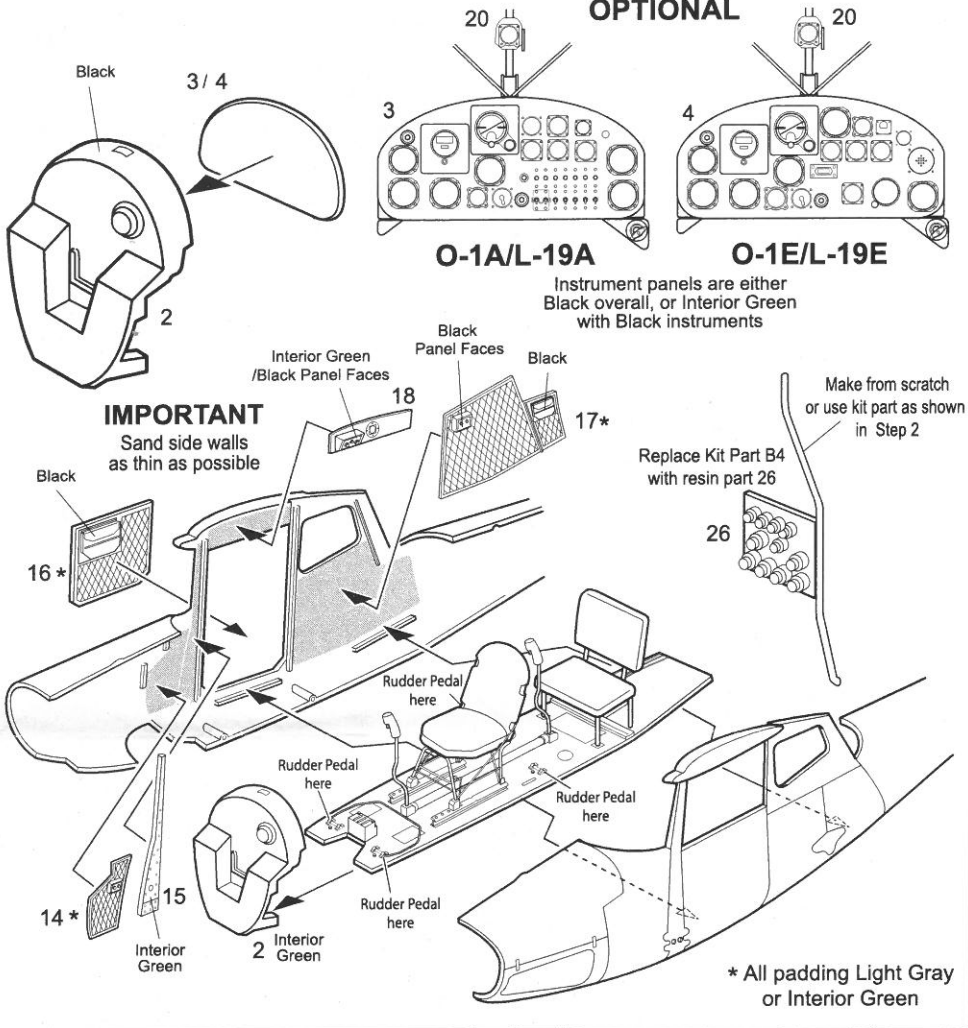
Copyright 2005 True Details

Read Instructions Carefully
Dry Fit All Parts
 Use small amounts of slow, gap-filling cyanoacrylate (super) glue.

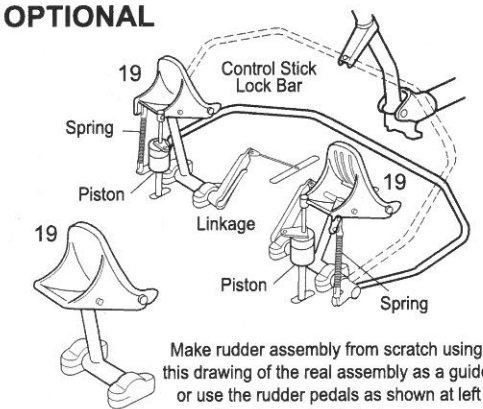
Parts List

- | | | |
|-----------------------------------|-------------------------------|---------------------------------|
| 1. Cockpit Floor | 10. Left Side Overhead Panel | 19. Rudder Pedal (x4) |
| 2. Instrument Coaming | 11. Pilot's Seat | 20. Compass |
| 3. Instrument Panel O-1A/L-19A | 12. Rear Seat Cushion | 21. Armor Seat Pad |
| 4. Instrument Panel O-1E/L-19E | 13. Rear Seat Backrest | 22. Armor Seat Backplate |
| 5. Left Side Front Padding | 14. Right Side Front Padding | 23. Armor Seat Right Panel |
| 6. Left Side Spar | 15. Right Side Spar | 24. Armor Seat Left Panel |
| 7. Left Side Intermediate Padding | 16. Right Side Door | 25. Control Stick Handgrip (x2) |
| 8. Circuit Braker/ Lighting Panel | 17. Right Side Aft Padding | 26. Rear Instrument Panel |
| 9. Left Side Aft Padding | 18. Right Side Overhead Panel | |





O-1E/L-19E only



Make rudder assembly from scratch using this drawing of the real assembly as a guide or use the rudder pedals as shown at left for a less complicated version.