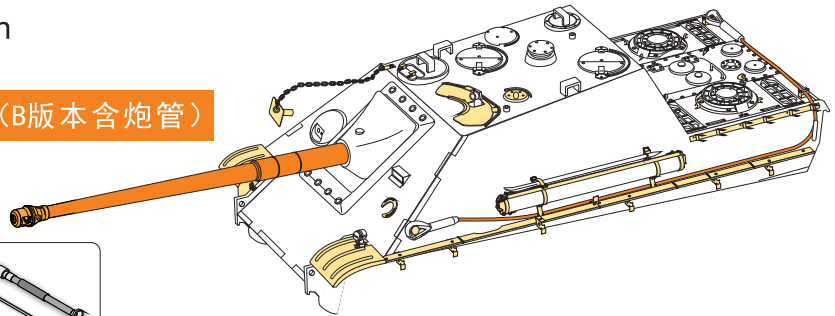


1/35 MILITARY MINIATURE VEHICLE UPGRADE SERIES PE35664

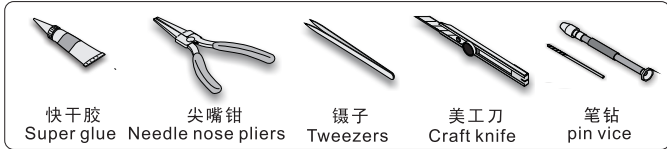
WWII Jagdpanther G2 late Version (B ver include Gun barrel)

二战德军猎豹歼击车G2后期型改造件 (B版本含炮管)










[For DRAGON 6609]




推荐使用工具 RECOMMENDED TOOLS

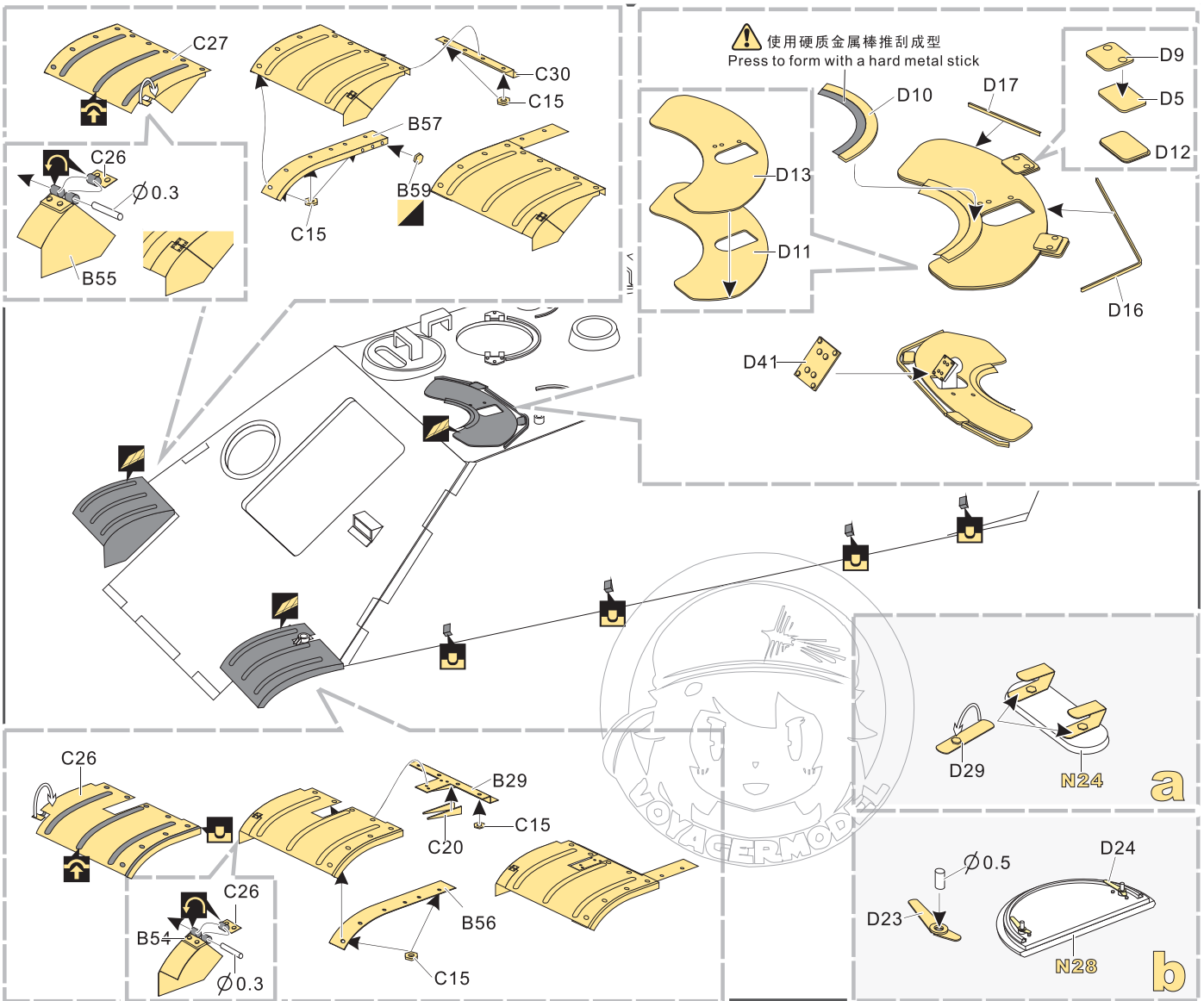


快干胶 Super glue 尖嘴钳 Needle nose pliers 镊子 Tweezers 美工刀 Craft knife 笔钻 pin vice

- 
 安装
install
- 
 折叠
bend
- A1**
 改造件零件编号
PE/resin part number
- B12**
 原零件编号
kit part number
- C22**
 被替换的原零件编号
replaced kit part number
- 
 另一侧相同制作
repeat on opposite side
- 
 切除
remove
- 
 打磨
grind off
- 
 弧度卷曲
radial bending
- x2**
 制作若干组
multiple assembly
- 
 选择安装
alternative
- 
 钻孔
drill
- 
 填补
fill


 用尖端在凹槽处冲压
use penpoint to press on the dent

蚀刻片零件内侧面向上
Put the part upside down
 用笔尖在凹槽处刺
Use penpoint to press on the dent

1/35 MILITARY MINIATURE VEHICLE UPGRADE SERIES PE35664

Assembly Steps:

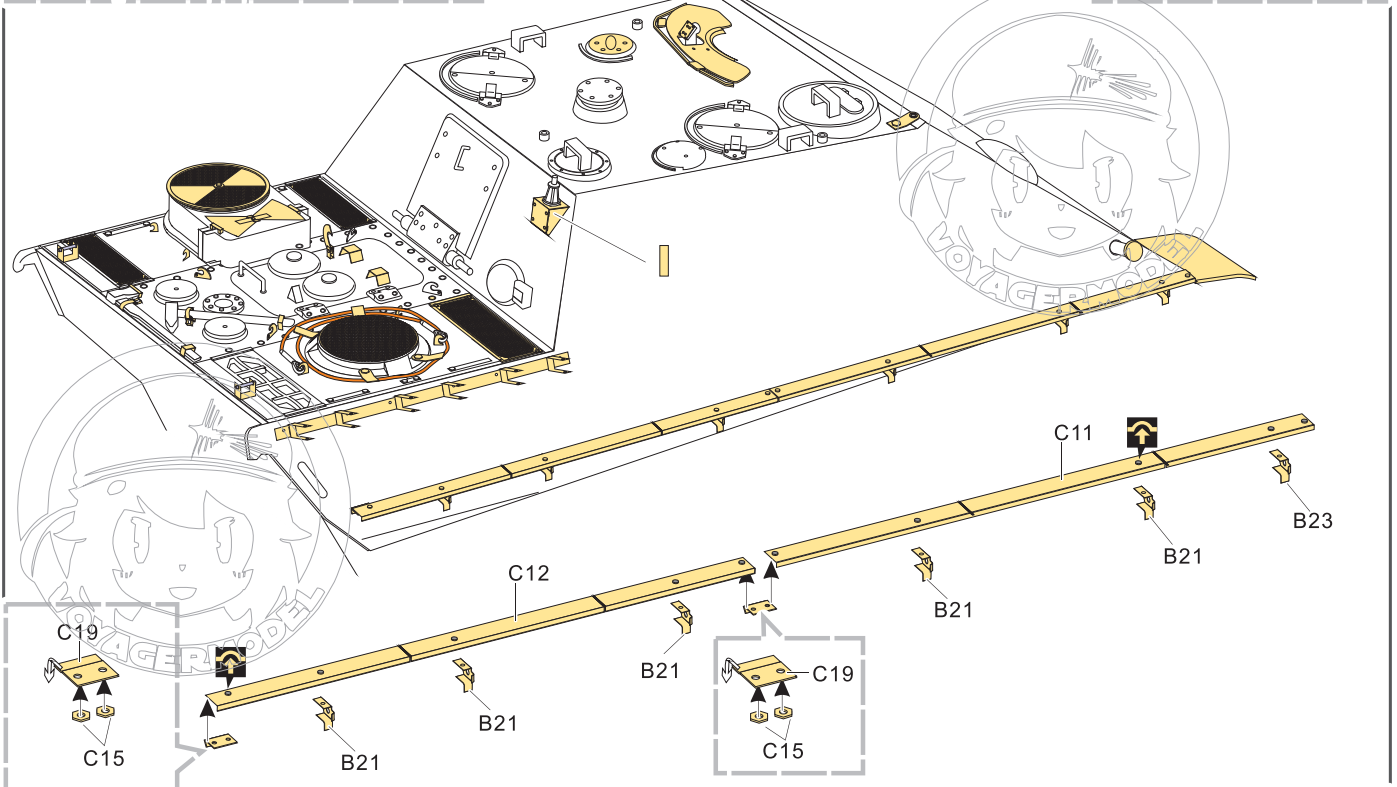
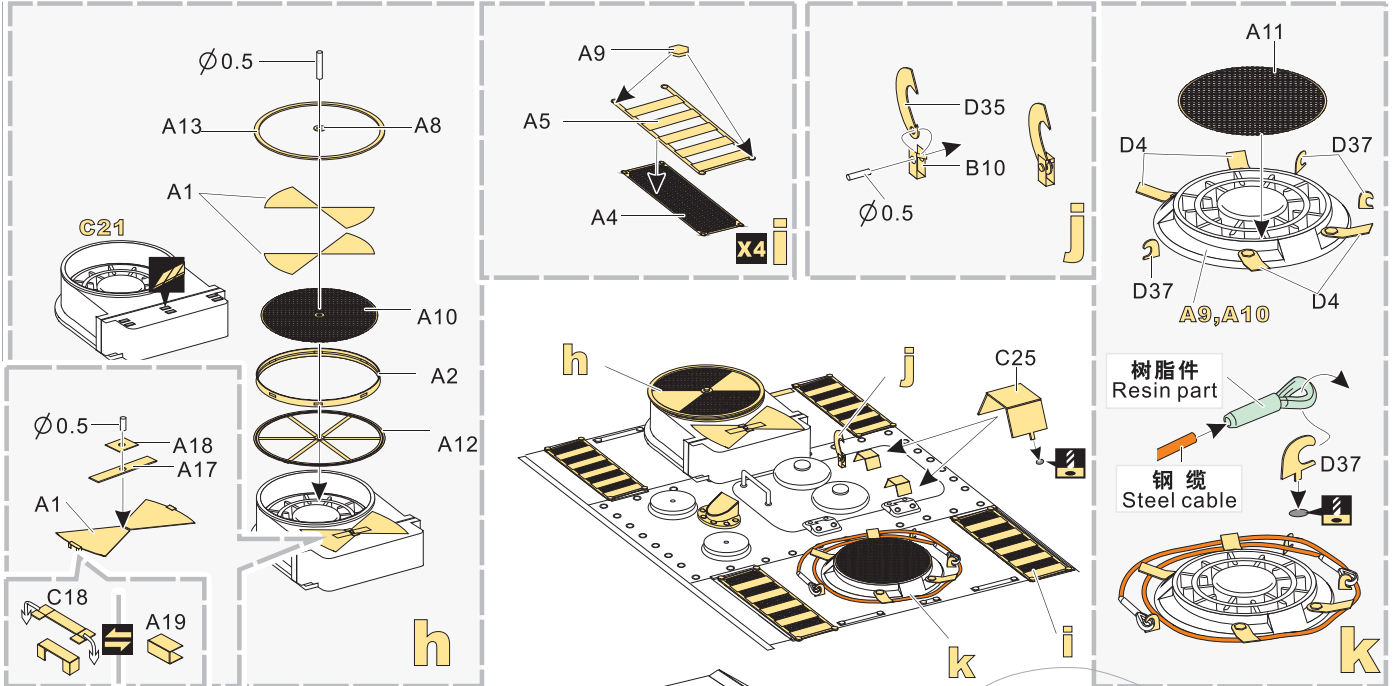
- c**: Assemble parts B9, B12, and B8.
- d**: Assemble parts K21, D22, D39, and B8.
- e**: Assemble parts B67, C28, and C1. Note: K15, K14, K20.
- f**: Assemble parts B22, B21, B62, B66, C35, C37, B1, K1, and B35.
- g**: Assemble parts D40, D38, A15, and D38. Note: x2.
- a**: Assemble parts C4, D36, D27, and D27. Note: 1.0mmx2.5mm.
- b**: Assemble parts C30, C31, and C31. Note: 金属件 Metal part.
- c**: Assemble parts C14, B22, B22, B22, B22, B24, B22, C19, and C15.
- d**: Assemble parts B49, D1, and B22. Note: x2.

剖视图 Cross section

推荐使用PEAO70黑豹系列清洁杆金属收纳筒进一步升级
We suggest use PEA070 cleaning rod bin for Panther to upgrade your work

THE STEPS IN THE BLACK BOX APPLY FOR Pe35664 B VERSION
黑框内的步骤仅适用于PE35664 B版本

1/35 MILITARY MINIATURE VEHICLE UPGRADE SERIES PE35664

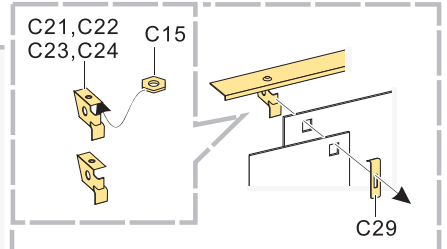
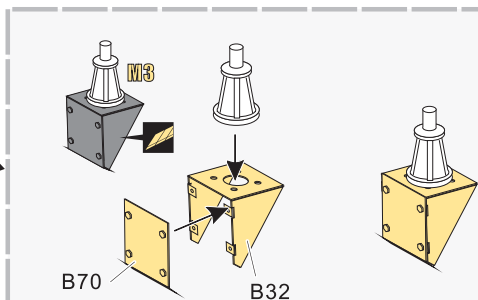


<http://www.voyagermodel.com/productdetails.asp?itemid=PE35664>



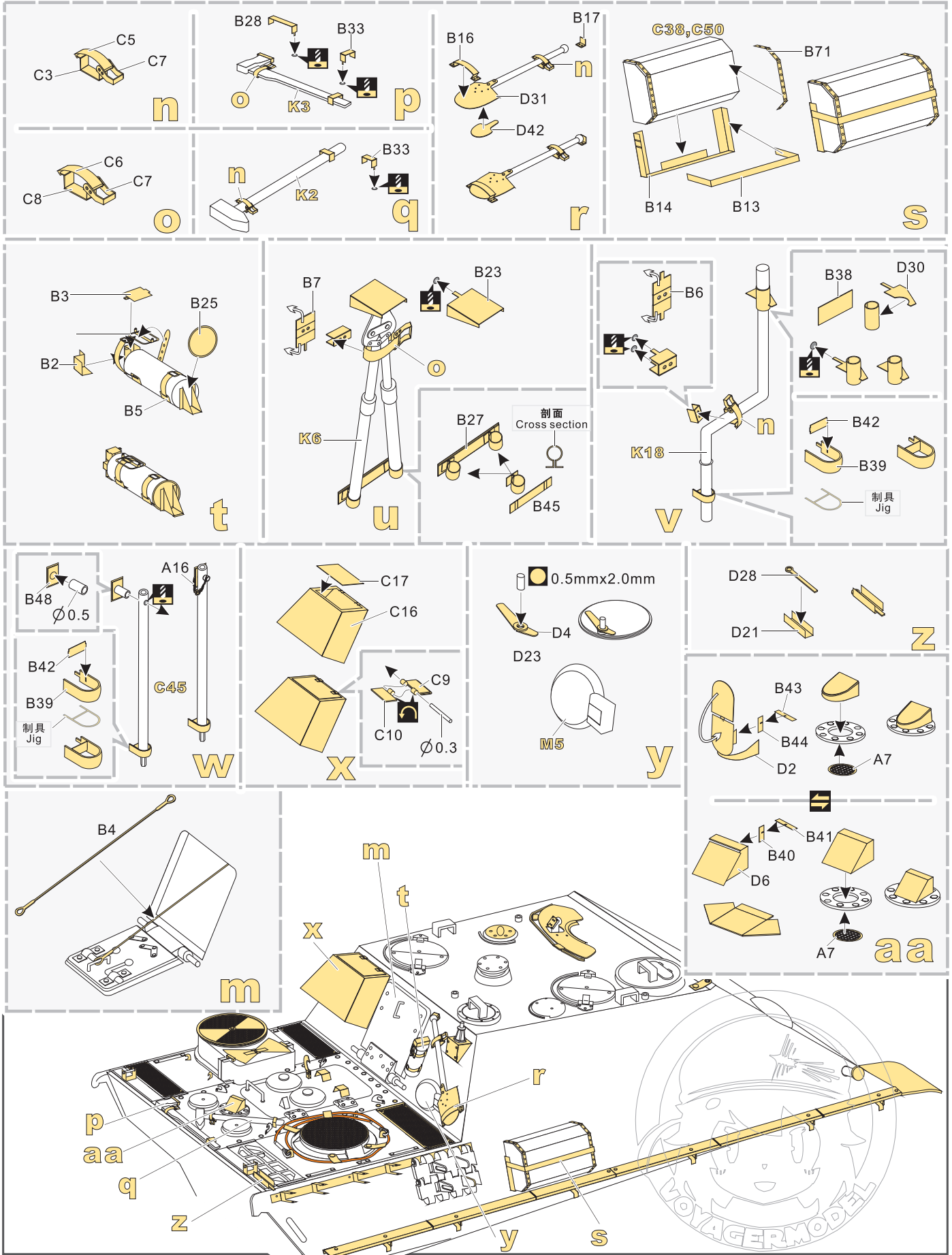
**VOYAGER
MODEL**

更多PE35664样品照片参考请扫一扫
MORE PICTUER OF PE 35664
REFERENCE SCAN HERE

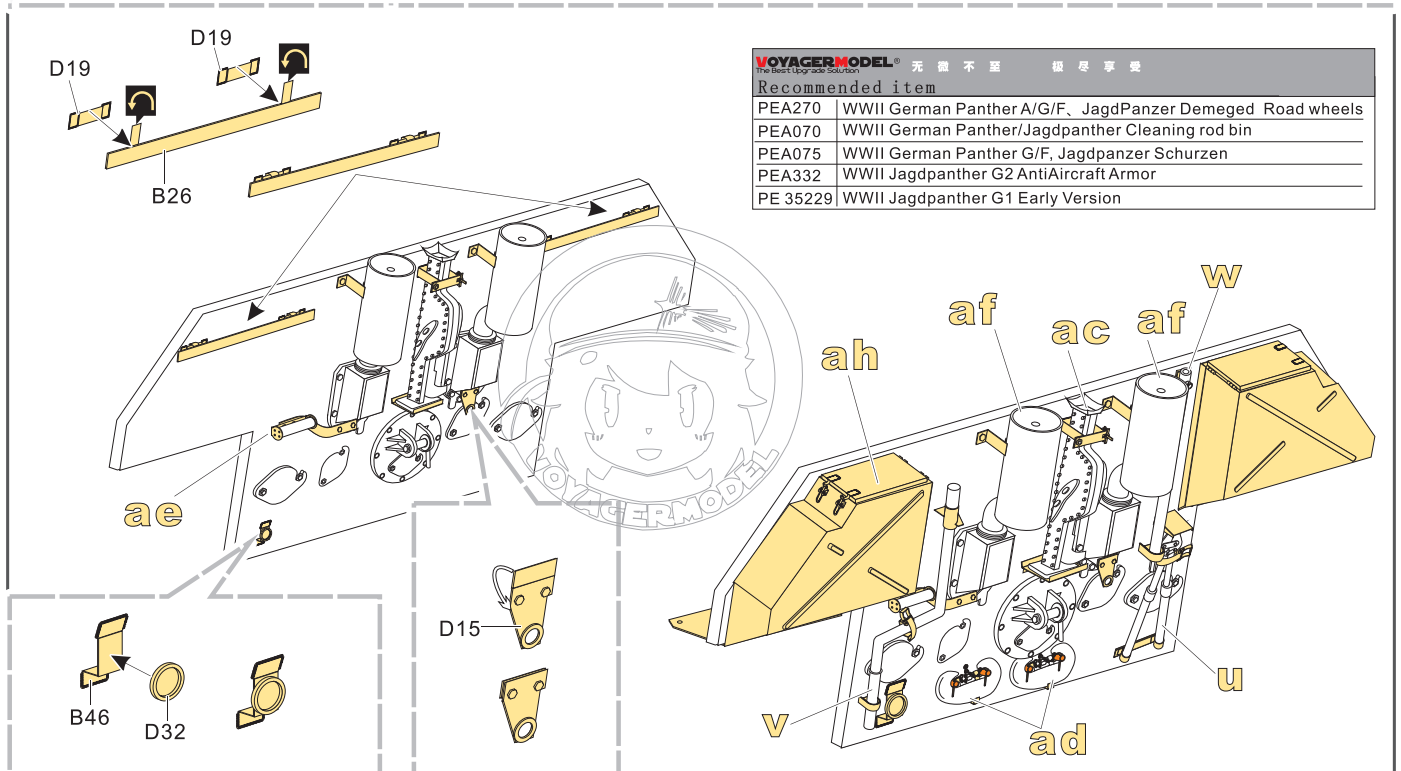
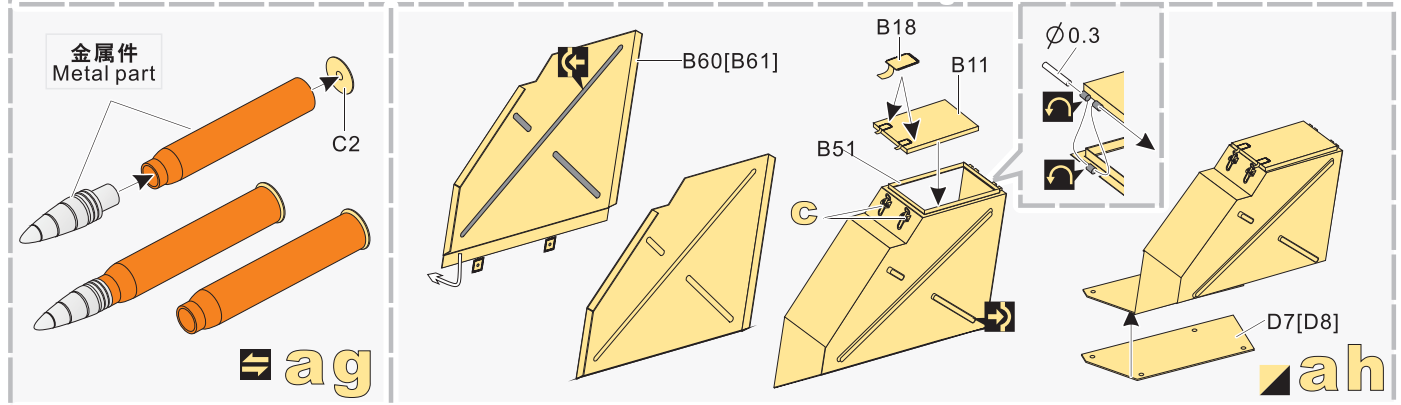
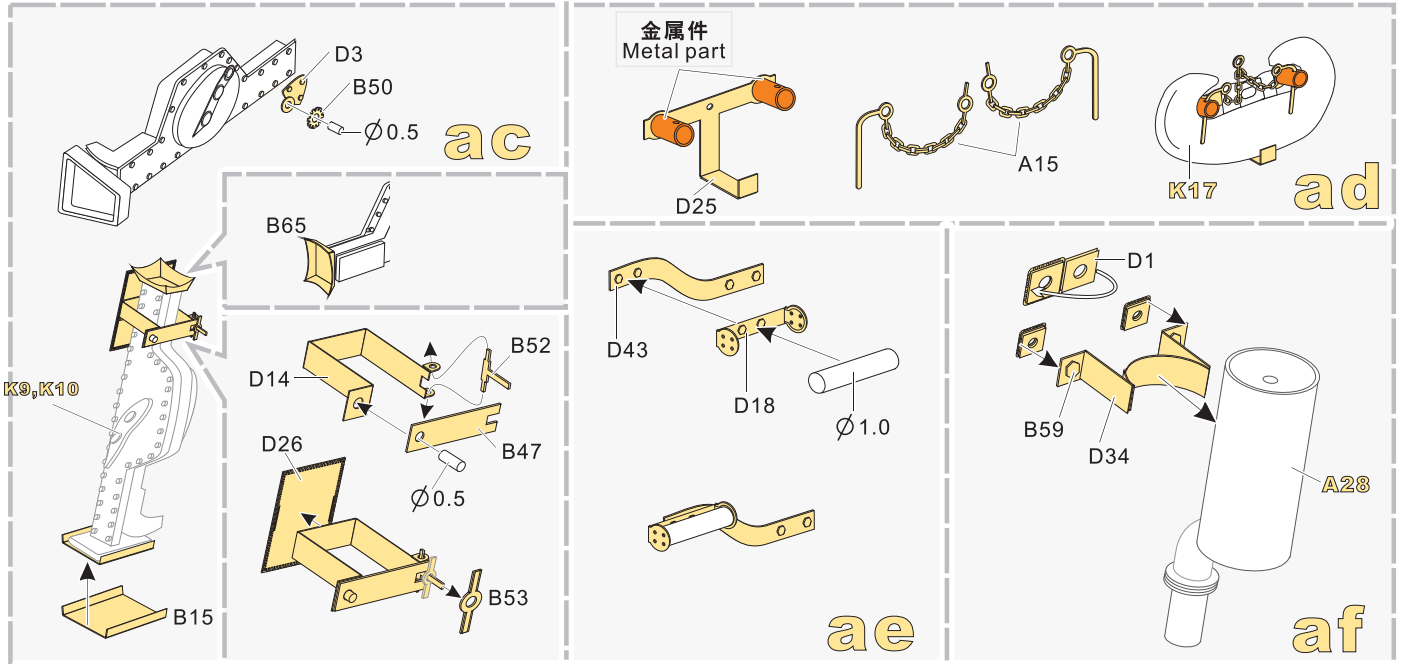


推荐使用PEA075黑豹G/F/II
猎豹系列裙板进一步升级
**We suggest use PEA075 skirts for
Panther G/F/II /Jagdpanther to
upgrade your model.**

1/35 MILITARY MINIATURE VEHICLE UPGRADE SERIES PE35664



1/35 MILITARY MINIATURE VEHICLE UPGRADE SERIES PE35664



VOYAGERMODEL[®] 无微不至 极尽享受
The Best Upgrade Solution

Recommended item

PEA270	WWII German Panther A/G/F, JagdPanzer Demaged Road wheels
PEA070	WWII German Panther/Jagdpanther Cleaning rod bin
PEA075	WWII German Panther G/F, Jagdpanzer Schurzen
PEA332	WWII Jagdpanther G2 AntiAircraft Armor
PE 35229	WWII Jagdpanther G1 Early Version