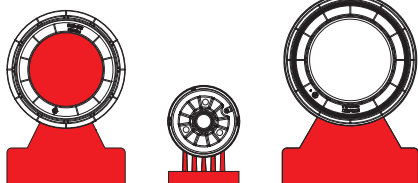


CUT

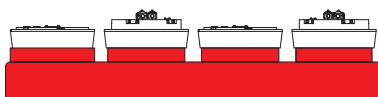


R1

R2

R3 x2

USE A SAW TO REMOVE SUPPORTS
FROM 3D PRINTED PARTS



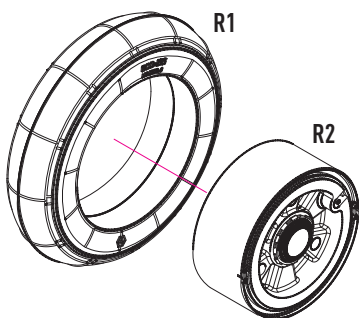
R4

R5

R4

R6

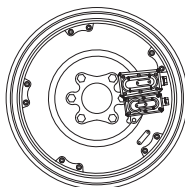
1 FRONT WHEEL



R1

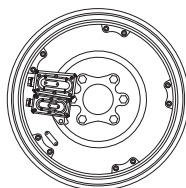
R2

LEFT
(VIEW IN FLIGHT)



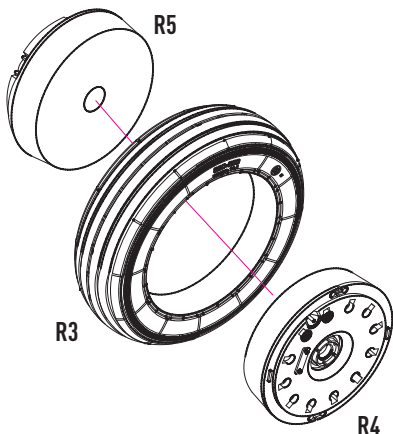
R5

RIGHT
(VIEW IN FLIGHT)



R6

2 MAIN WHEEL (LEFT)

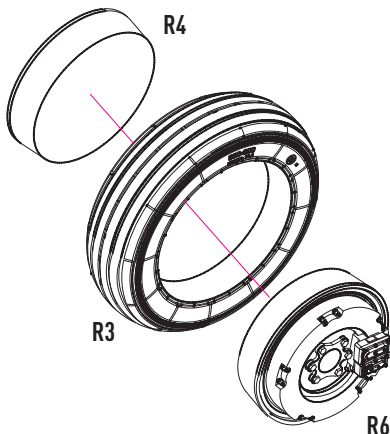


R5

R3

R4

3 MAIN WHEEL (RIGHT)



R4

R3

R6