

AIRWAVES

Gloster Gladiator

FOR COLLECTOR MODELLERS
NOT FOR CHILDREN

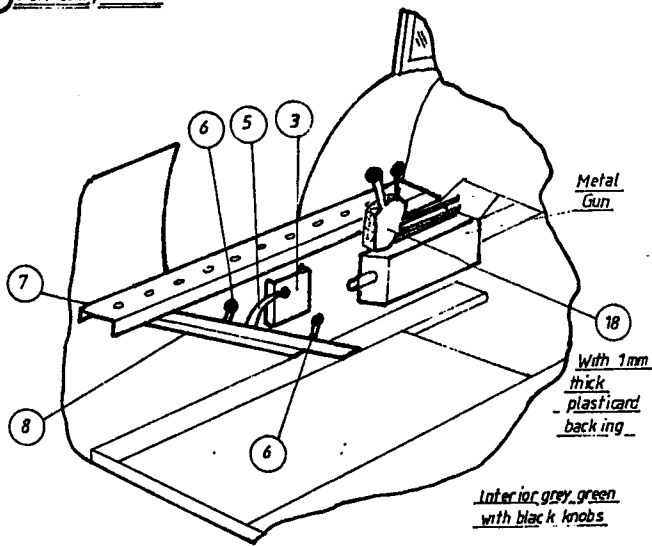
This detail set is manufactured from photo etched brass sheet and is for use on the Lindberg model kit.

Prior to using fret wash in liquid detergent and rinse in clean water to deflux and clean parts. To separate parts, support fret on a firm surface such as a ceramic tile and cut as near to the part as possible using a new sharp blade. Tag ends can be cleaned by holding part in pliers and using a fine file. To fold part, support evenly up to line of fold and fold in one go using a blade for leverage. For assembly of parts use superglue or five minute epoxy. Prior to painting, prime parts using matt enamel or self etching primer. Position of parts in diagrams is for guidance only for final position and retaining must reference material details of which are elsewhere on this sheet. Airwaves are manufactured and distributed by F.D. Models, 64 Stratford Road, Shirley, Solihull, West Midlands B90 3LP, England. Telephone: 021 744 7488 Fax: 021 733 2591

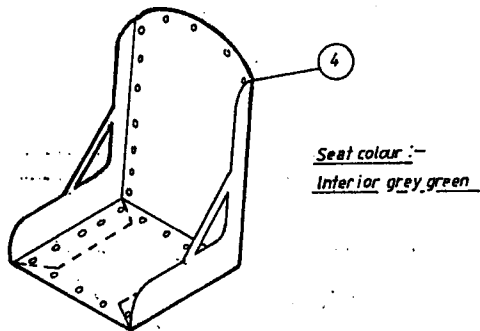
Note that only the best materials are used in the manufacture of Airwaves sets and that any waste is safely disposed of protecting the environment.

For further helpful hints to using etched brass and for full details of the extensive Airwaves range including tools and templates get a copy of the latest Airwaves illustrated catalogue.

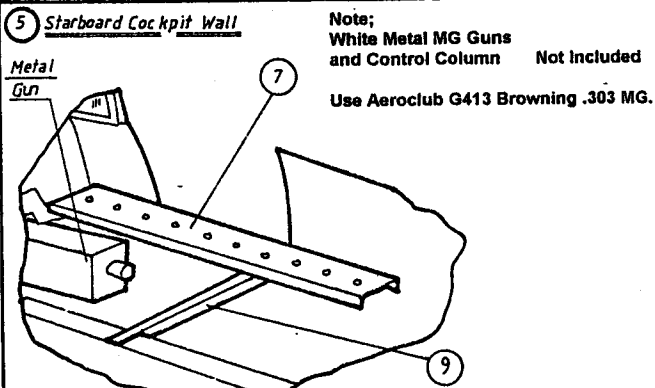
4 Port Cockpit Wall



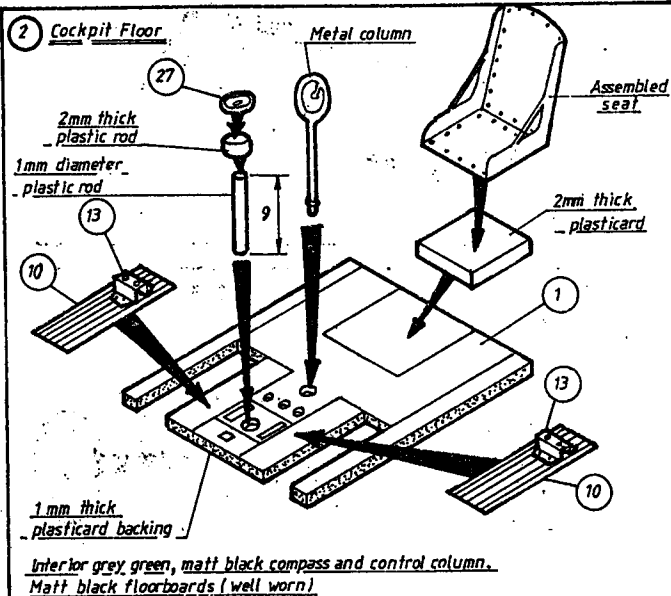
1 Seat



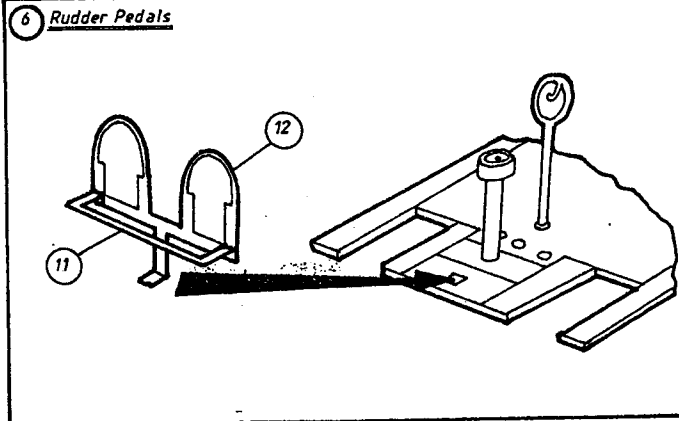
5 Starboard Cockpit Wall



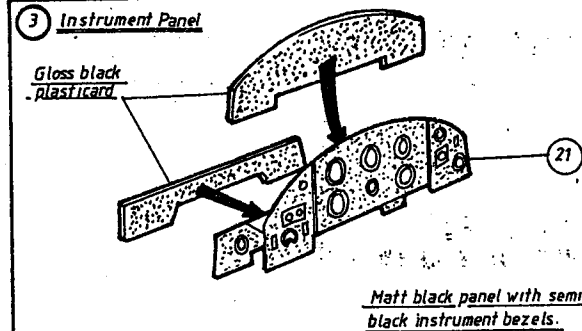
2 Cockpit Floor



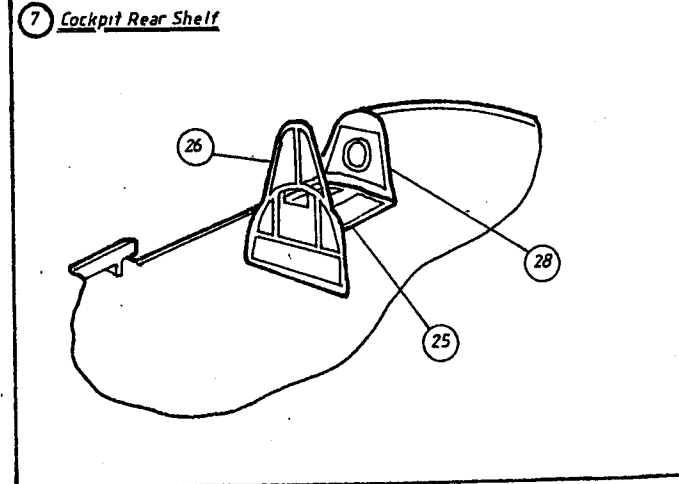
6 Rudder Pedals



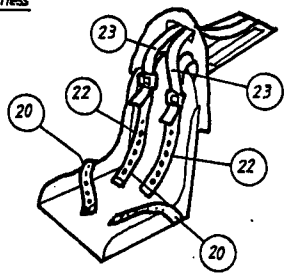
3 Instrument Panel



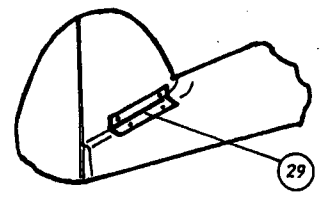
7 Cockpit Rear Shelf



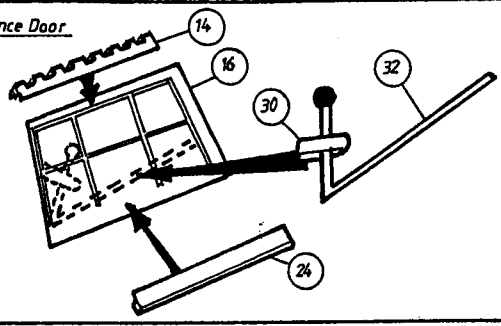
8 Sutton Harness



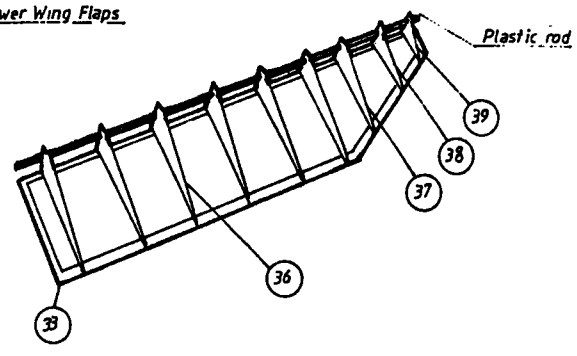
13 Fin Support Plates



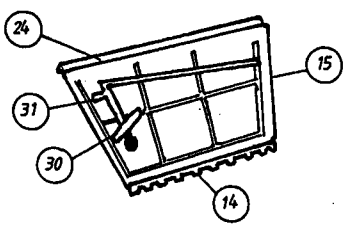
9 Port Entrance Door



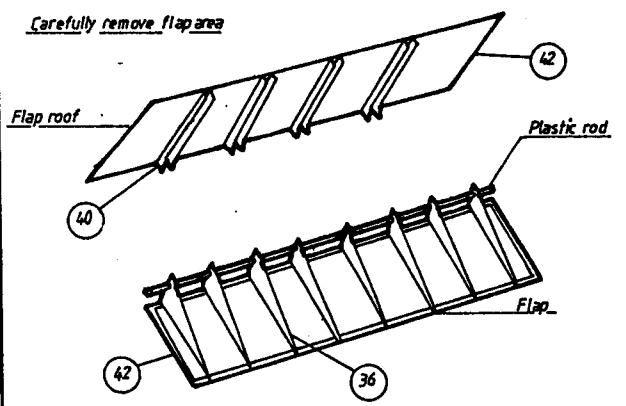
14 Lower Wing Flaps



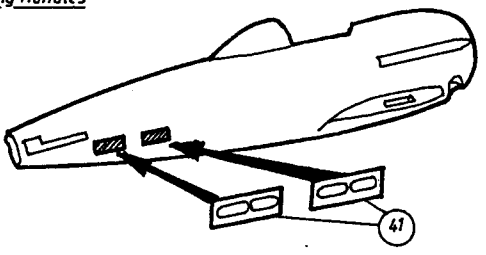
10 Starboard Entrance Door



15 Upper Wing Flaps

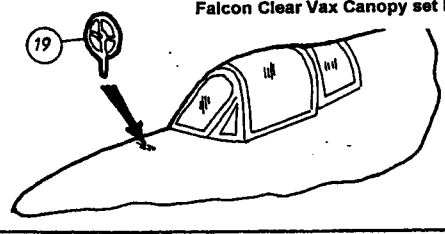


11 Lifting Handles

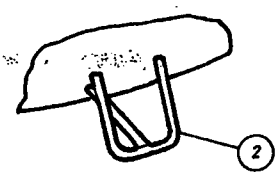


12 Gunsight

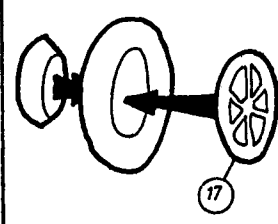
Recommended Vacform canopy
Falcon Clear Vax Canopy set No 31



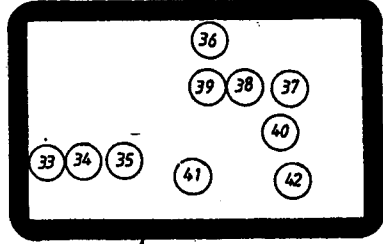
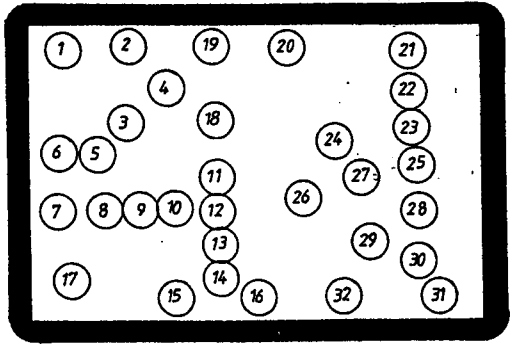
16 Entrance Step



17 Spoked Wheel



18 Component Frame Layout



Airwaves would like to thank
Mr. James Howard for his kind
assistance towards the
production of this set.

Recommended References:-
Scale Aircraft Modelling April 1992
Monografie Lotnicze No. 24 Gloster Gladiator