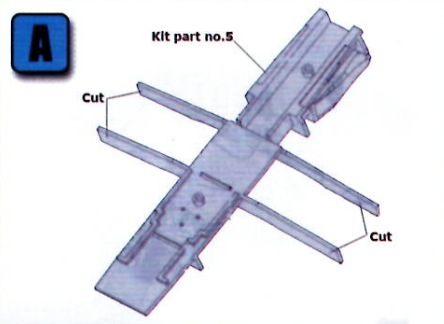
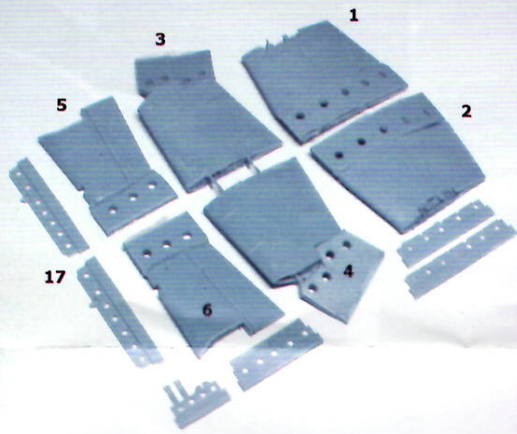


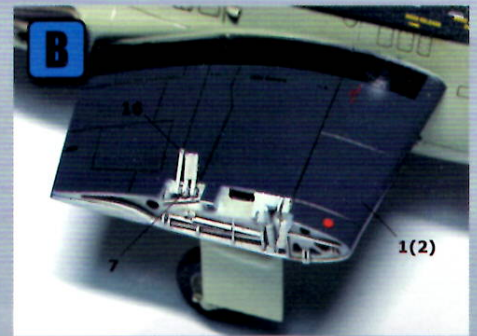


Work by Wolfpack-Design



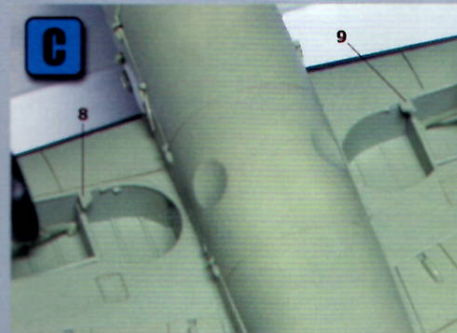
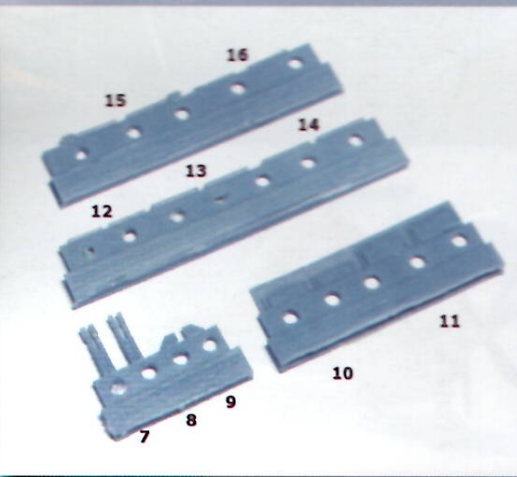
(A) Cut side bars

You have to cut side bars of Kit part no.5. And put into a scale weight in the nose area. (about 100g)



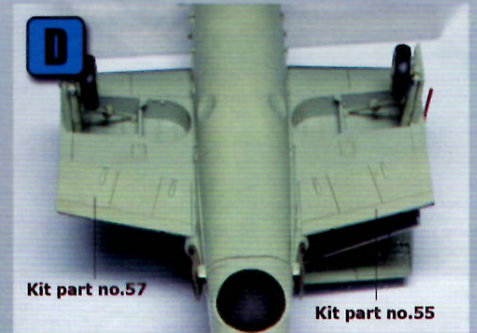
(B) Inner wing

Please attach inner wing with actuator parts.



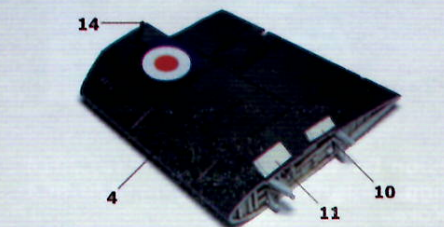
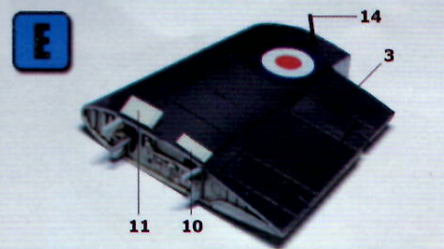
(C) Wheel bay details

Please attach part 8/9 same as this photo.



(D) Bottom wing Flaps

You can use stock parts for inner flaps.



(E) Middle wings and Outer wings

Please attach detail parts for outer wings same as these photos.

*() is opposite number.

*Total : 26 Resin Parts

This set is for only Revell 1/72 Gannet kit series, not Trumpeter 1/72.

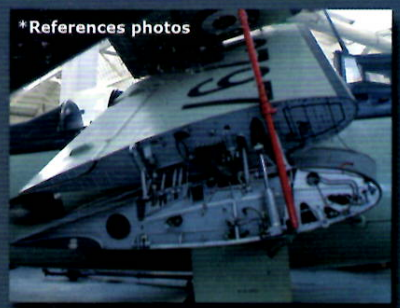
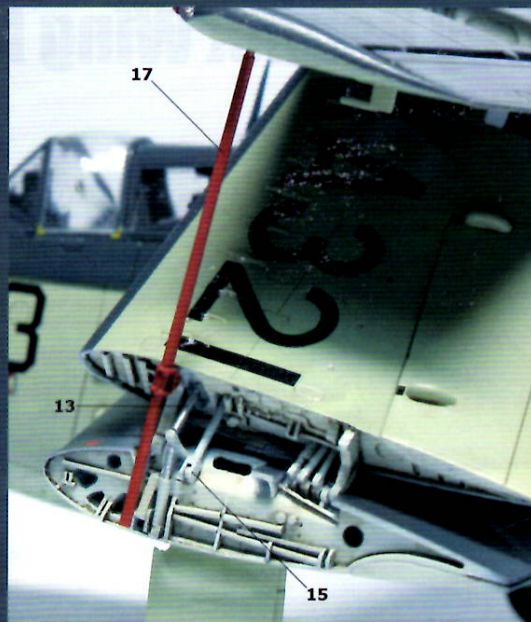
F

Photo by Gustav Jung

(F) Final Assembly

Finally, please assembly with mid. wings and outer wings. You have to control length of actuators (Resin part no. 12/13/14/15) for installation.

Resin part no.17 are fixing bars. You can select to attach them.

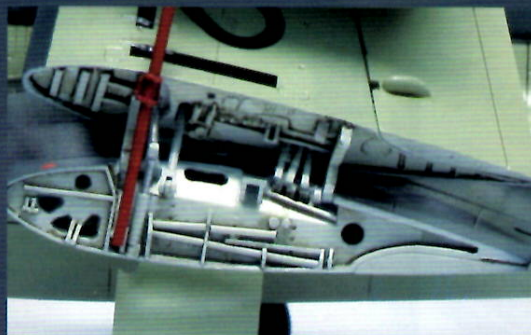
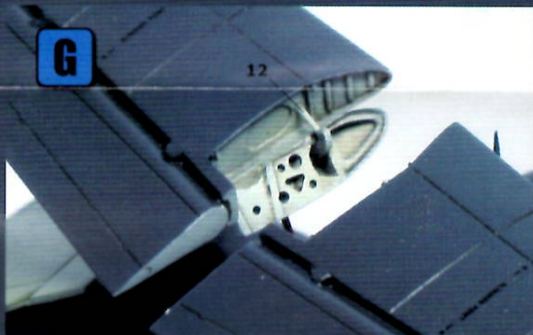


Photo by Gustav Jung

(G) Actuator for outer wing.

You have to control a length of actuator part (Resin no.12) for installation.

**G**

*Fairye Gannet ECM.6 XG797 in IWM Duxford (former Gannet AS.4)



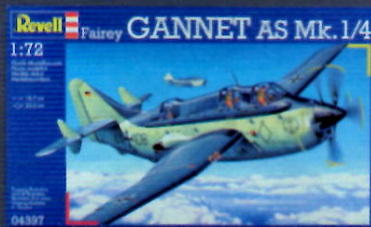
*Fairye Gannet COD.4 XA466 in FAA Museum (former Gannet AS.4)

**WARNING !****Recommended Items**

Revell 1/72 Fairye Gannet AS.1/4
Revell 1/72 Fairye Gannet T.5

References from

Fairye Gannet AS.4 in IWM Duxford,
Fairye Gannet AS.4 in FAA Museum,
Thunder and Lightnings



1. This is not a Toy.
2. Experienced modellers only.
3. Not for age under 10.
4. Don't inhale & eat resin dust.
5. Glue and paint are not included.

Wolfpack

Wolfpack-design Co. Ltd Copyright (c) 2014
F2, 697, I-dong, Sangroku, Gyoungido, 426-863
Republic of Korea

www.wolfpack-d.com