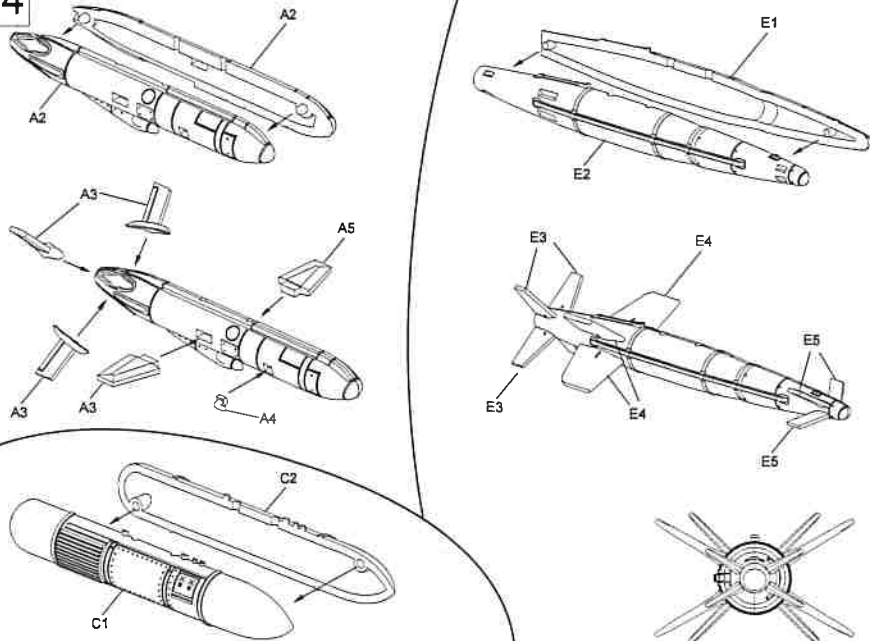


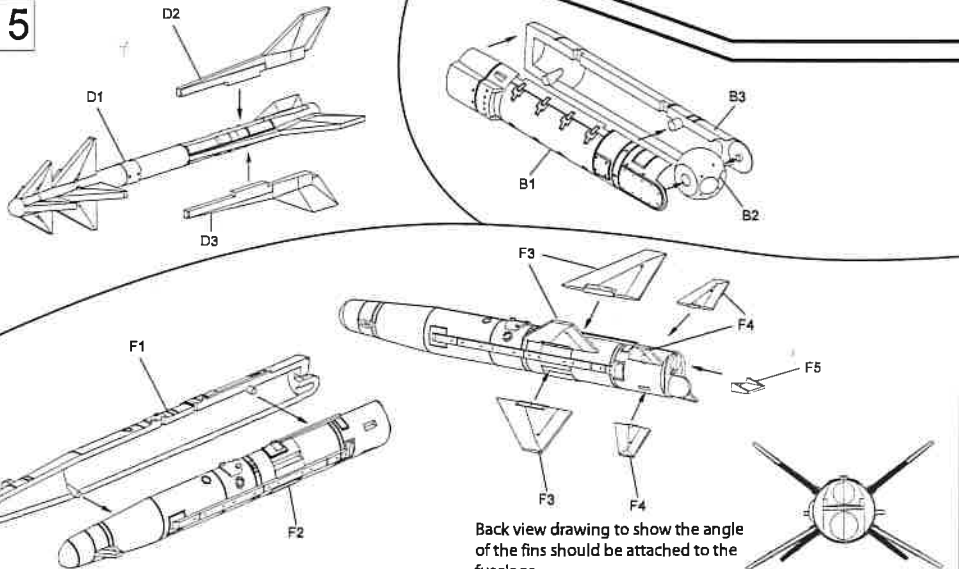
Weapon set

14



Front view drawing to show the angle of the fins should be attached to the fuselage.

15



Back view drawing to show the angle of the fins should be attached to the fuselage.

P12



F-16I SUFA

The Israeli Air Force's (IAF) F-16I Sufa, a two-seater, is the latest version of the F-16. Israel's Peace Marble V foreign military sales program will supply the Israel Air Force (IAF) with 102 two-seat aircrafts and is the largest Israeli F-16 acquisition yet. The F-16I is specially designed for Israel, and has been named "Soufa," or "Storm" in Hebrew, by the IAF. The F-16I for Israel is based on current Block 50/52 production aircraft. The F-16I has a 52,000 pound take-off weight, considerably more than the earlier F-16s in IAF service, and is armed with the AMRAAM air-to-air missiles.

The Israeli F-16I, compliments Israel's deterrent strategy by further strengthening the potential threat to carry out retaliatory strikes throughout the Middle East. The extended flight range reportedly allows Israeli forces to attack targets well within Iran without having to refuel. The F-16I has structural, plumbing, and wiring provisions for the Conformal Fuel Tanks (CFT). Attached to the upper surface of the F-16's fuselage, the tank's lower surface conforms to the aircraft's shape. This arrangement allows the CFTs to be relatively light weight. With an empty weight of 900 pounds, tank set holds 450 gallons (about 3,000 pounds) of additional JP-5/8 fuel. A CFT set carries 50 percent more fuel than the centerline external fuel tank, with only 12 percent of the drag. The CFT can dramatically increase the operational radius of the aircraft for long range missions. The aircraft can fly a long range strike mission with full weapon's load, and engage in air combat when external (370 Gal) fuel tanks have been dropped. At subsonic speeds the CFT have negligible effect on the aircraft agility. The aircraft fitted with CFT retain nearly the full handling qualities, flight limits, and signature. The CFT set can be fitted or removed in less than two hours.

H1	1	White
H2	2	Black
H4	4	Yellow
H5	5	Blue
H8	8	Silver
H9	9	Gold
H52	12	Olive Drab

H18	28	Steel
H12	33	Flat Black
H90	47	Clear Red
H91	48	Clear Yellow
H50	50	Clear Blue
H76	61	Brunt Iron
H28	78	Metal Black

H305	305	Gray FS36118
H306	306	Gray FS36270
H307	307	Gray FS36320
H308	308	Gray FS36375
H309	309	Green FS34079
H310	310	Brown FS30219
H313	313	Sand FS33531
H314	314	Green FS35622

H1 GSI Creos Aqueous Hobby color

I GSI Mr.Color

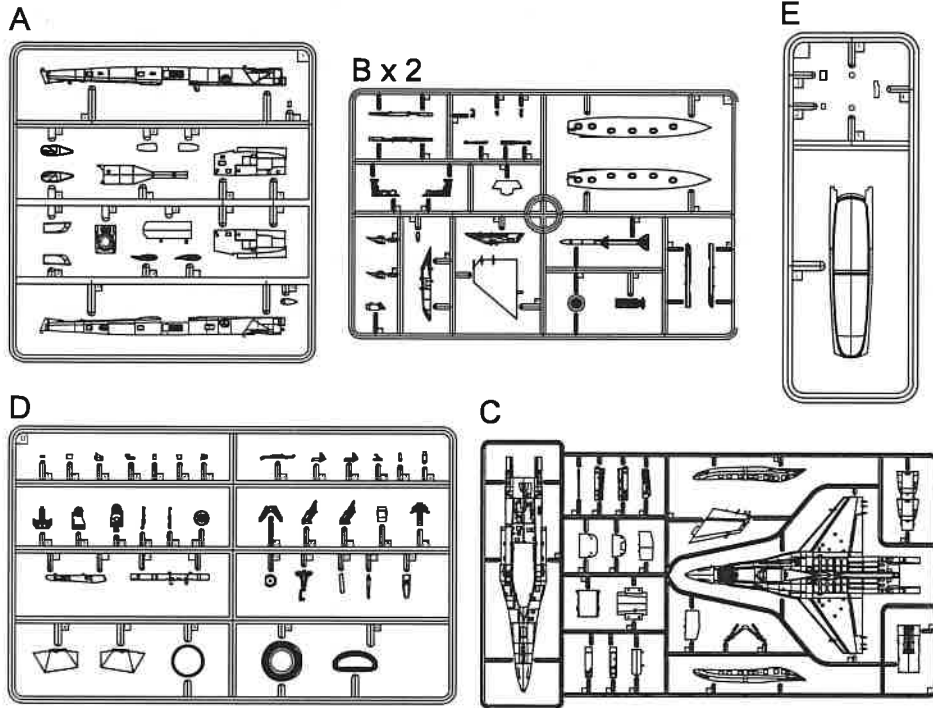
Glue is not included in this kit.

P1

CAUTION

- *Read carefully and fully understand the instructions before commencing assembly.
- *Keep out of reach of children. Children must not be allowed to put any parts in their mouths, or pull plastic bag over their heads.
- *When using adhesives and paints, please make sure not to use them in closed room or near the fire.
- *When assembling this kit, tools including knives are used. Extra care should be taken to avoid injury.

WARNING: CONTAIN SMALL PARTS NOT FOR CHILDREN UNDER 14 YEARS OF AGE.

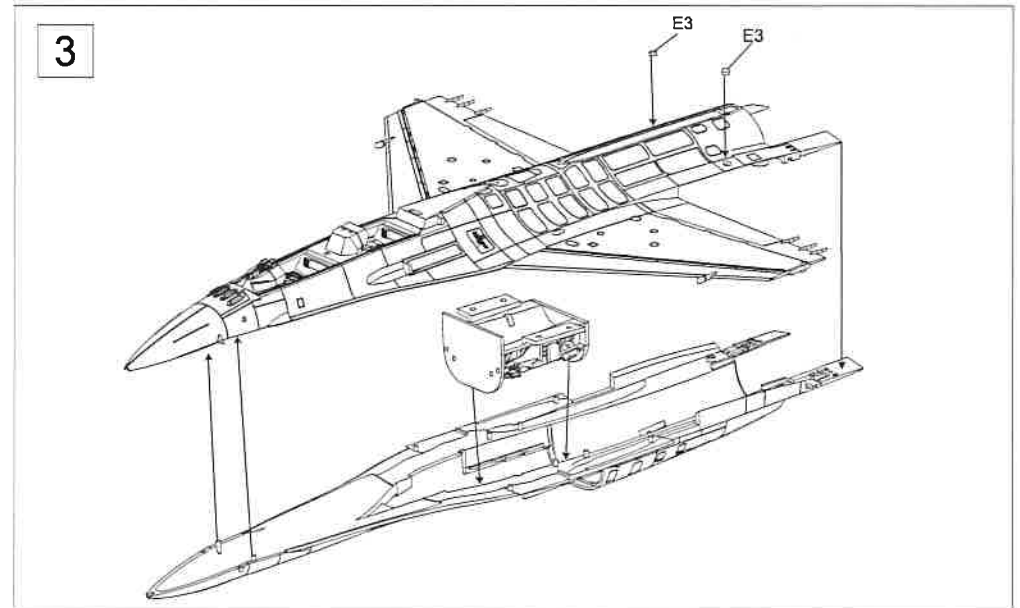
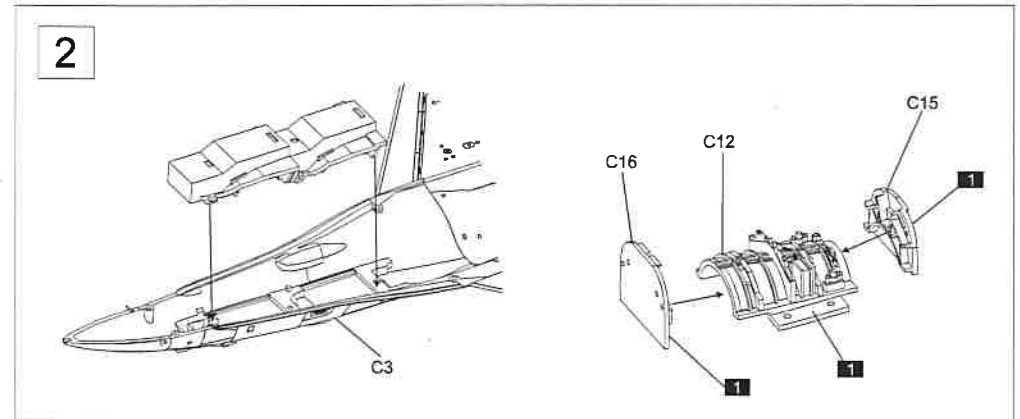
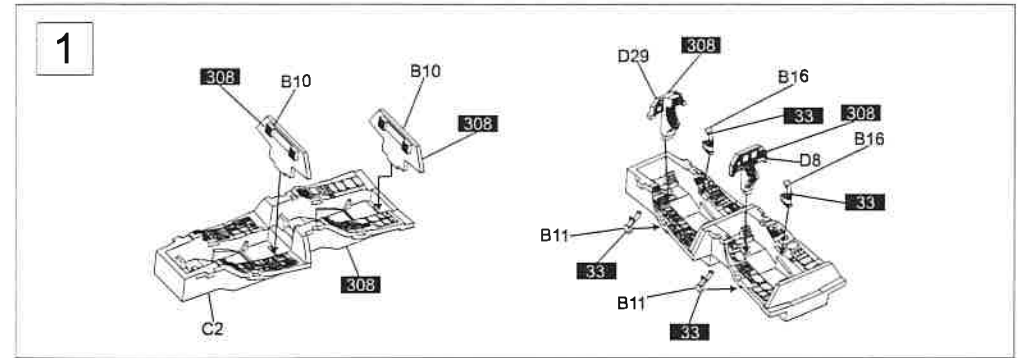


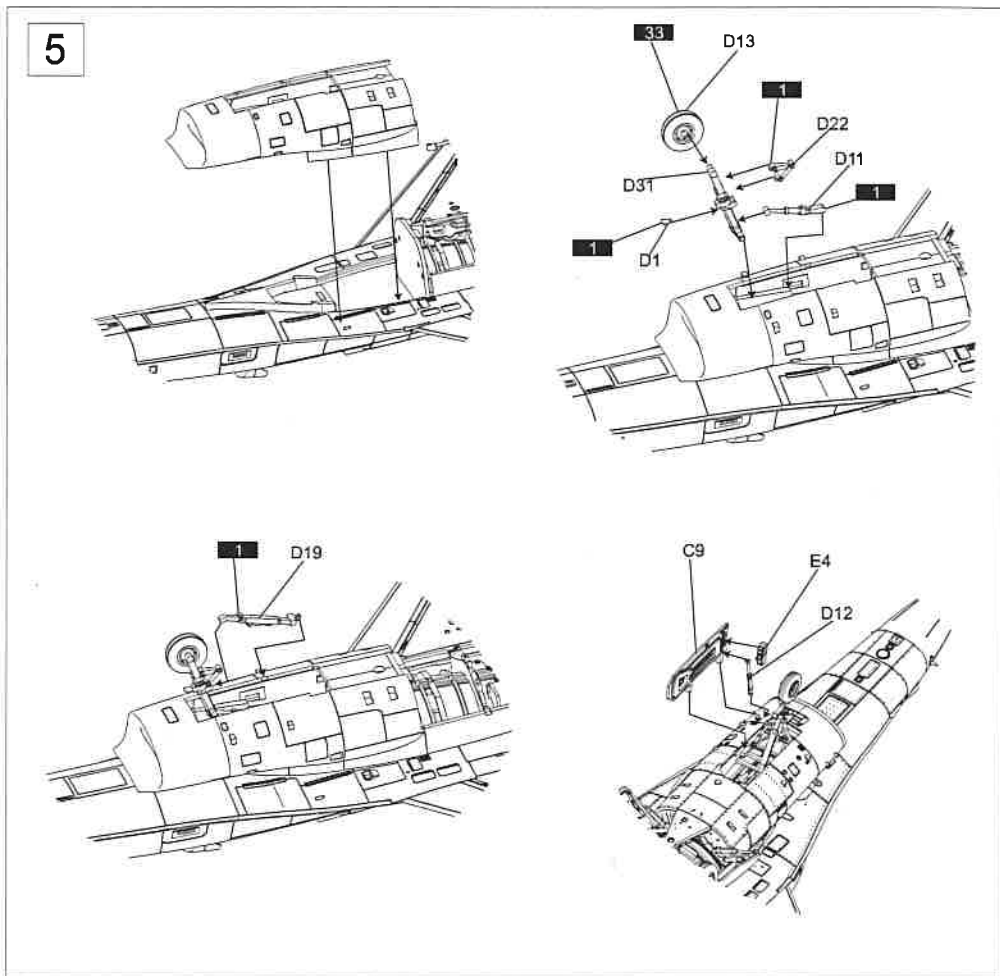
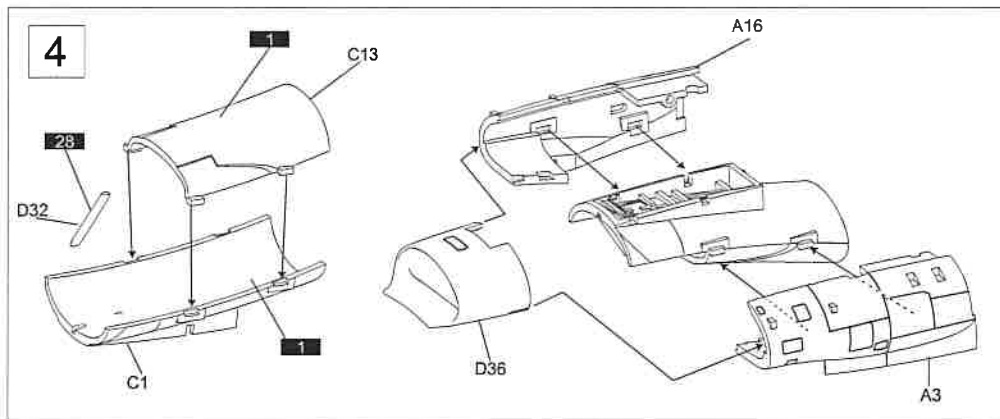
AFTERMARKET SERVICES CARD

When requesting replacement parts, please take or send this form to your local dealer so that the parts required can be correctly identified. Please note that specifications and availability are subject to change without notice.

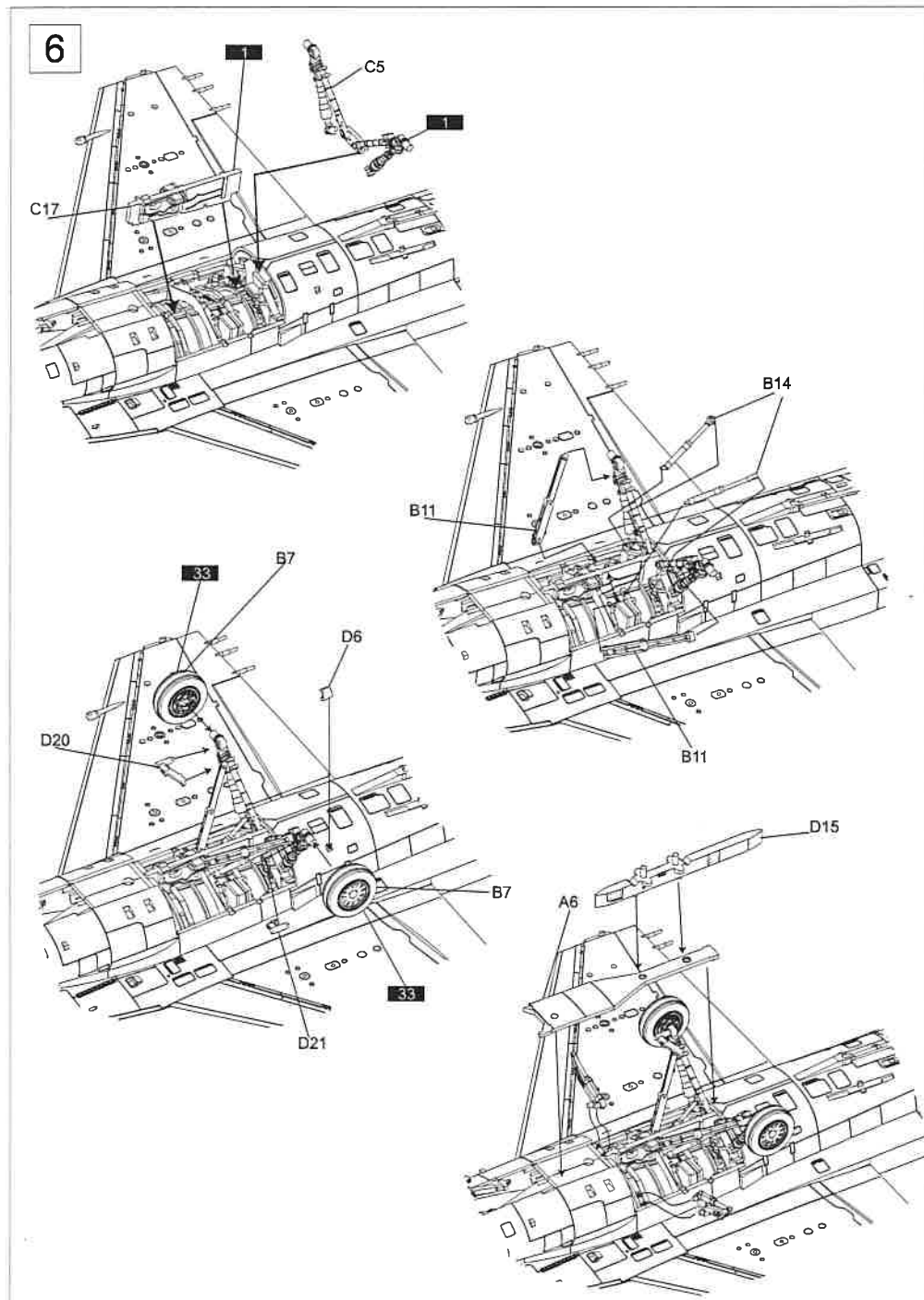
For more information, please contact services@kineticmodel.com or visit <http://www.kineticmodel.com> for latest information.

Parts Code	Item 72001
00-106-005.....	A part
00-106-002.....	B part
00-106-001.....	C part
00-105-003.....	D part
00-105-004.....	E part
03-105-72001.....	1/72 F-161 DECAL
04-100-48006.....	Painting Guide
03-106-72001.....	Instruction Manual

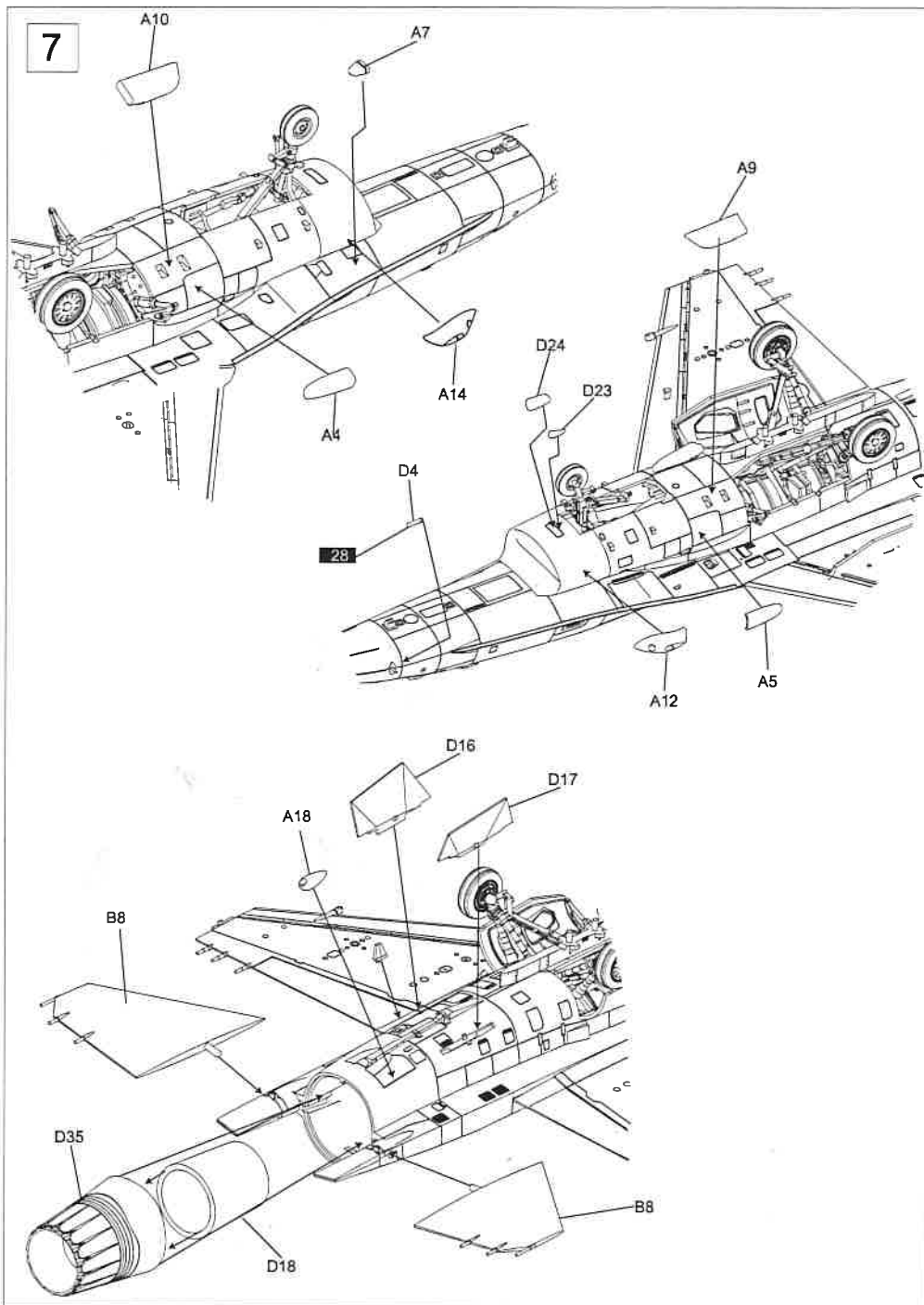




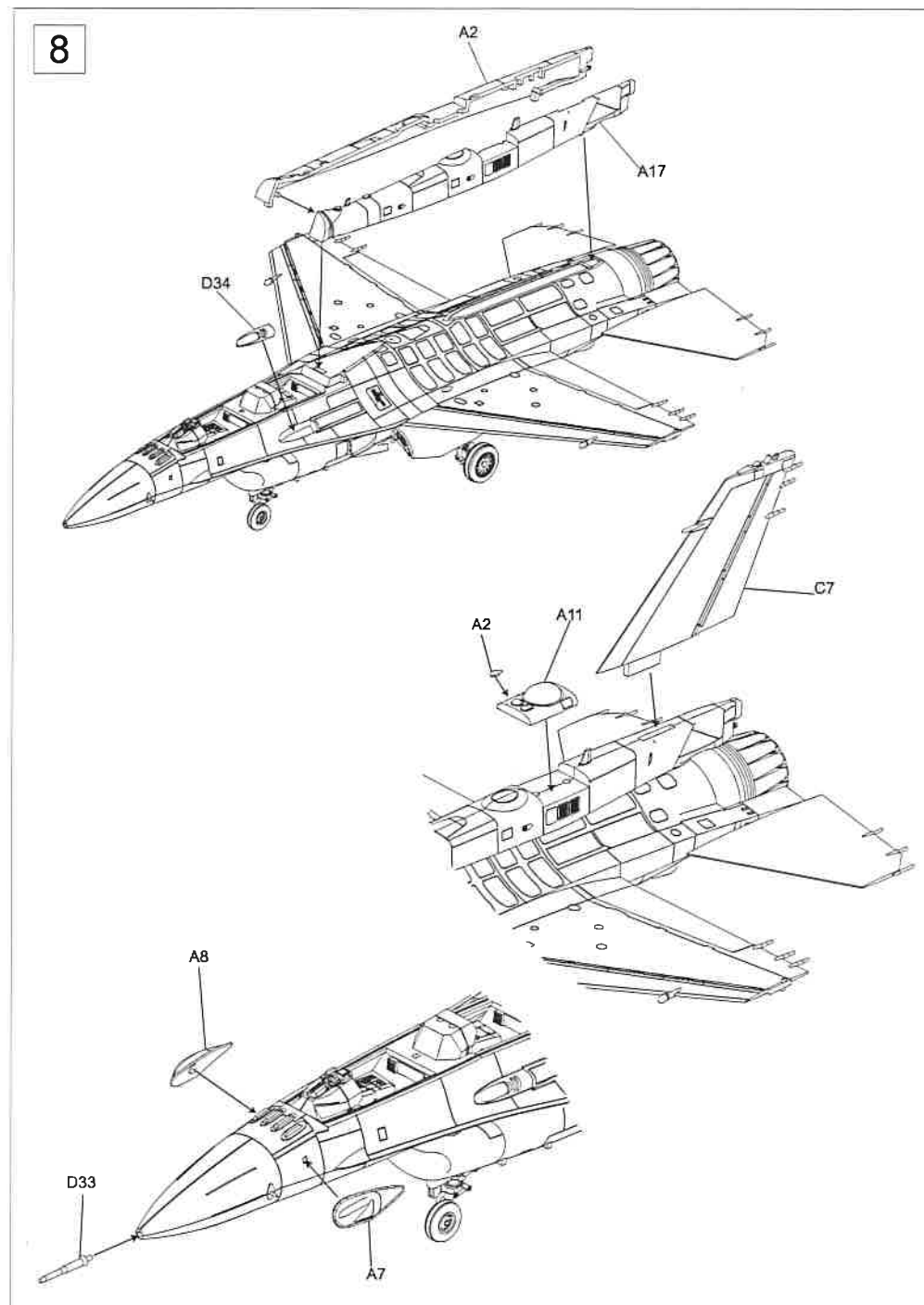
P4



P5

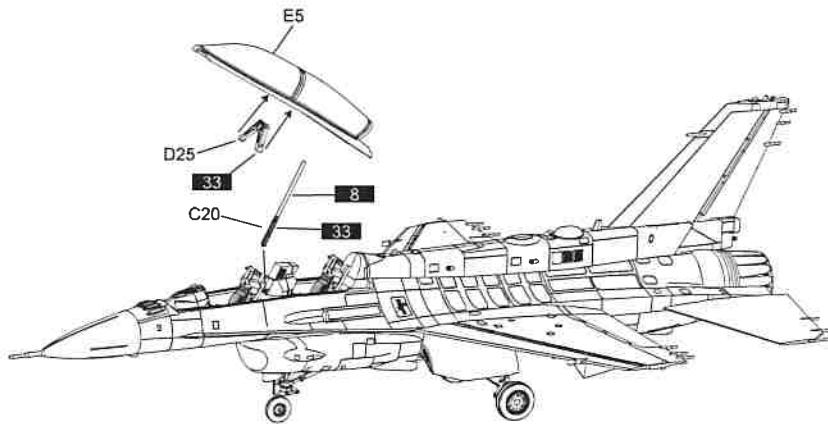
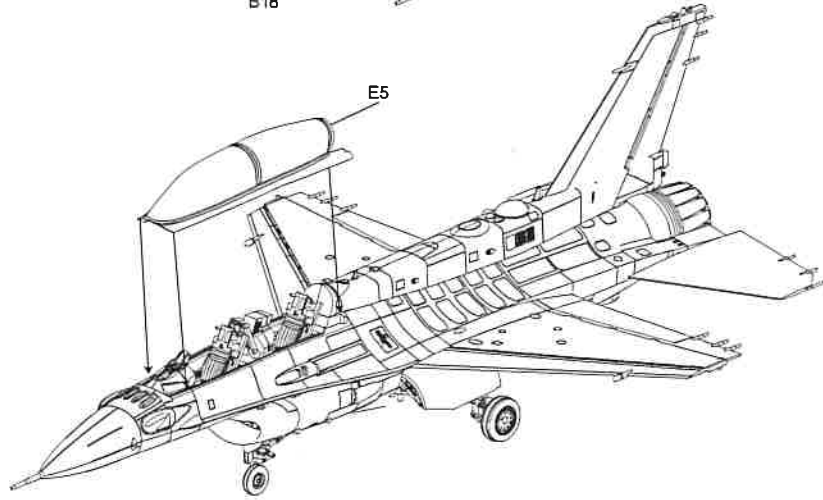
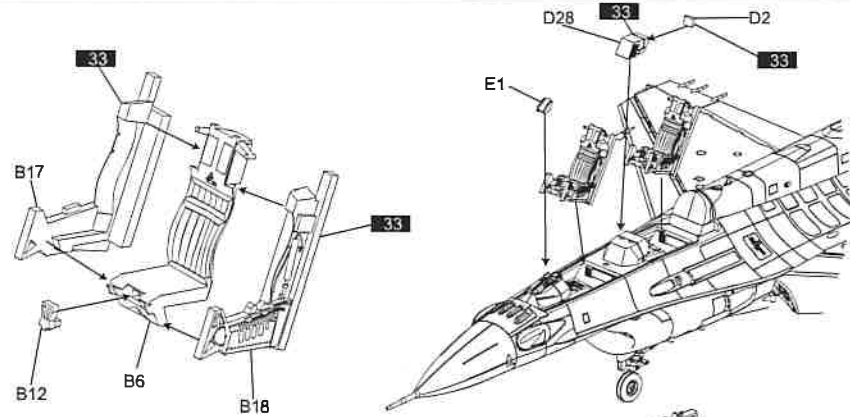


P6



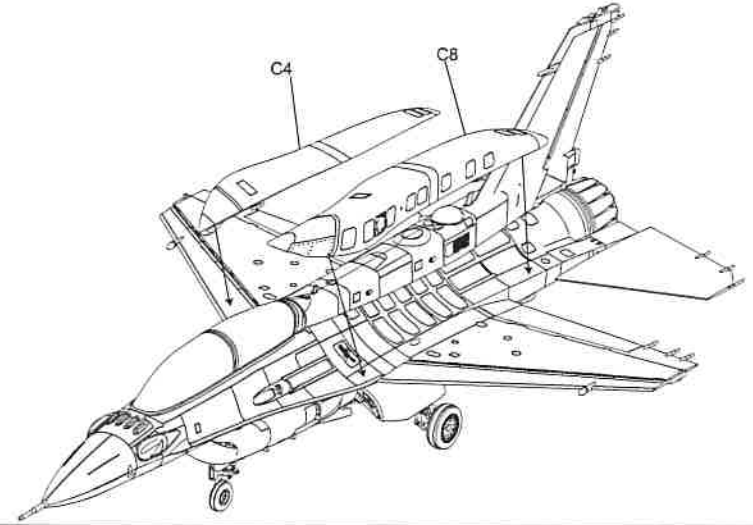
P7

9

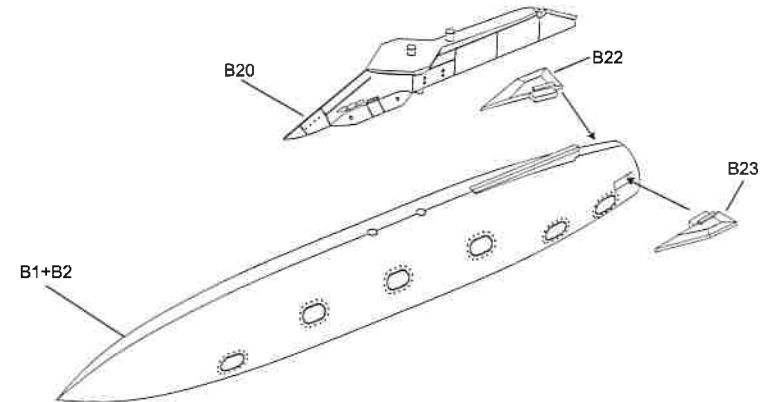
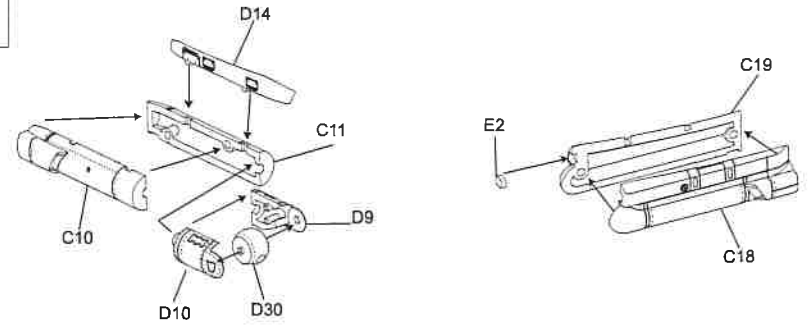


P8

9

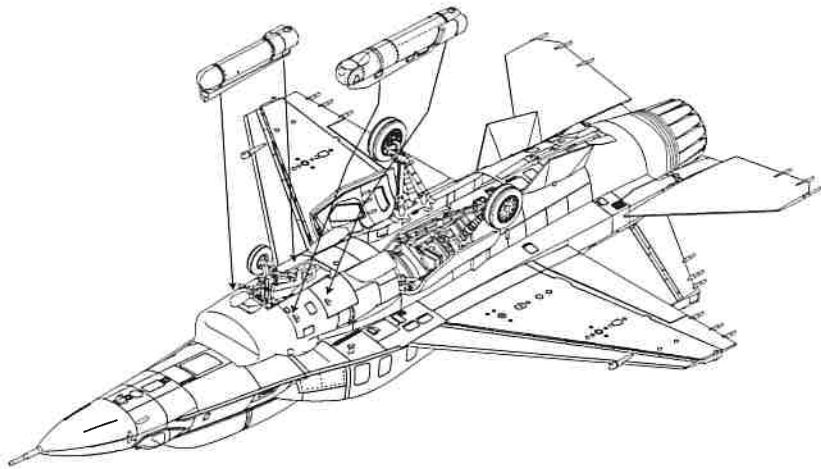


10

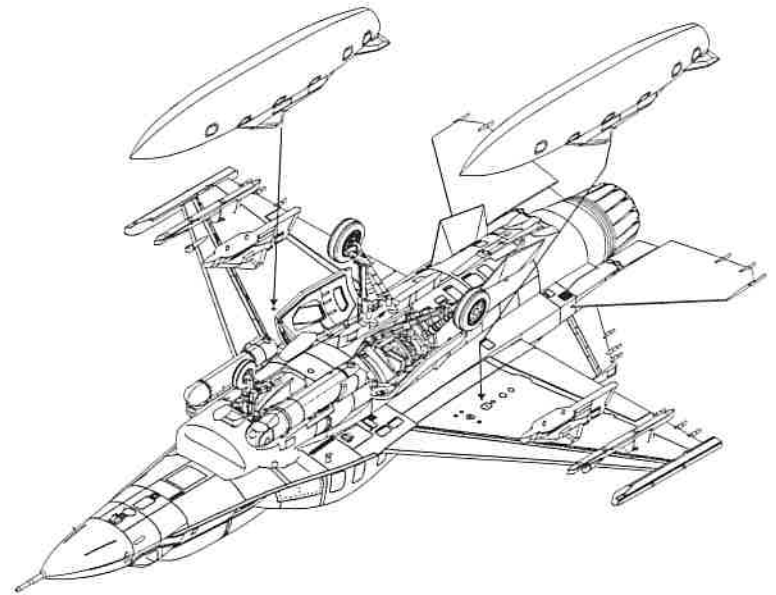


P9

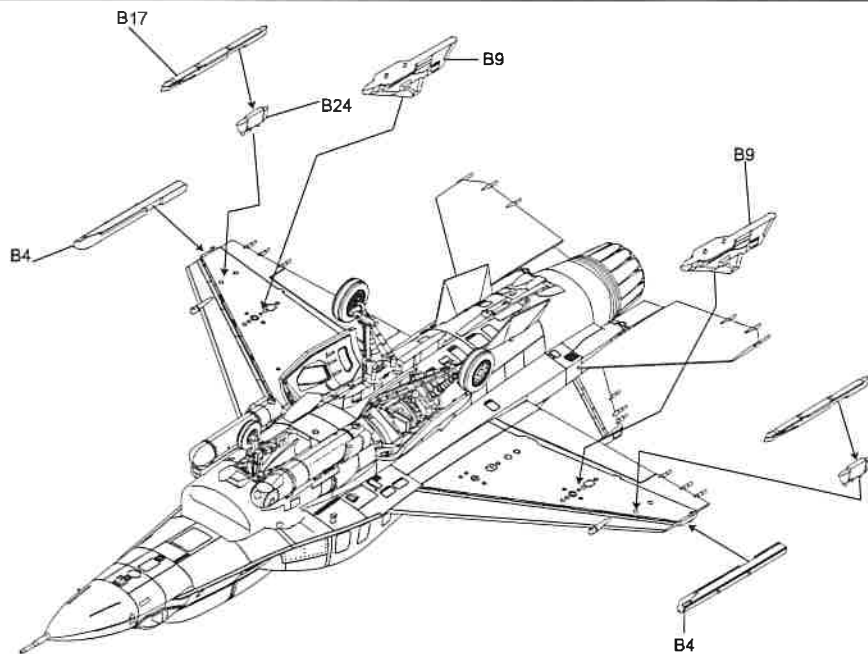
11



13

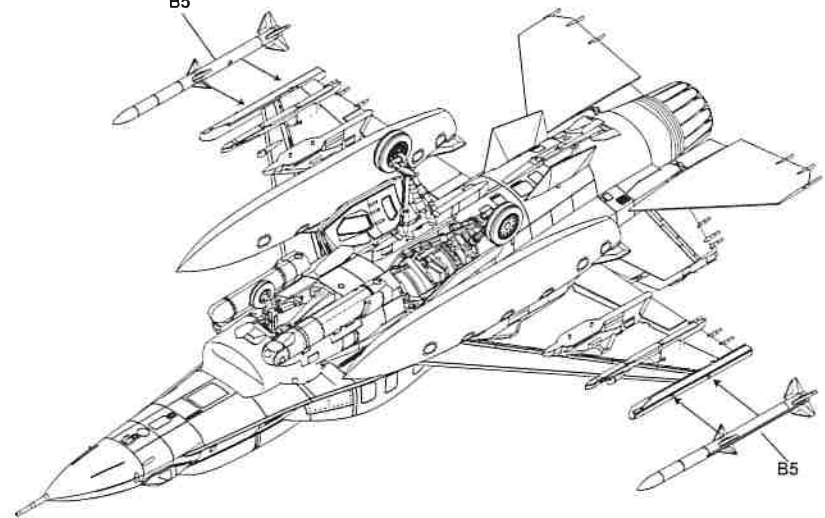


12

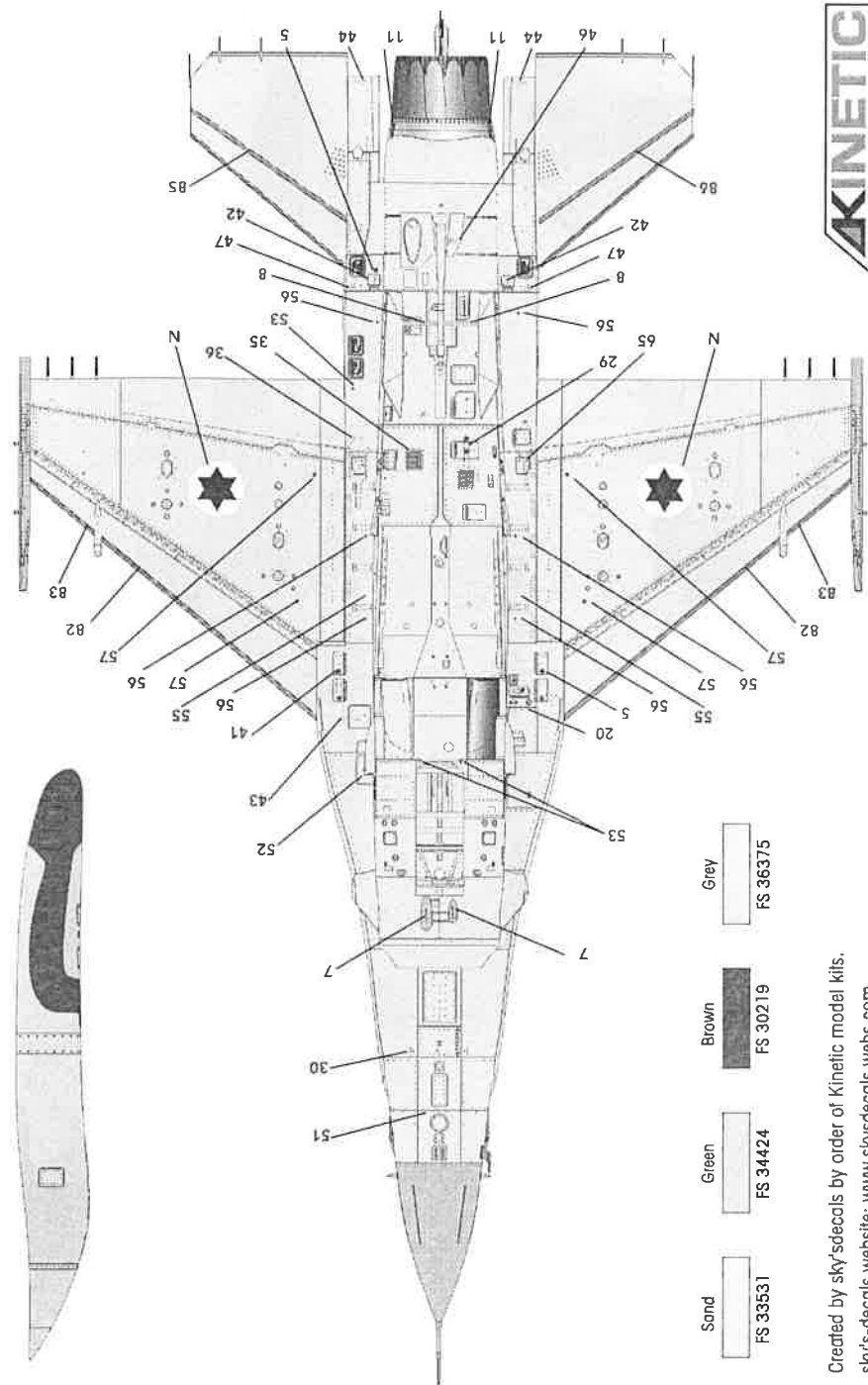
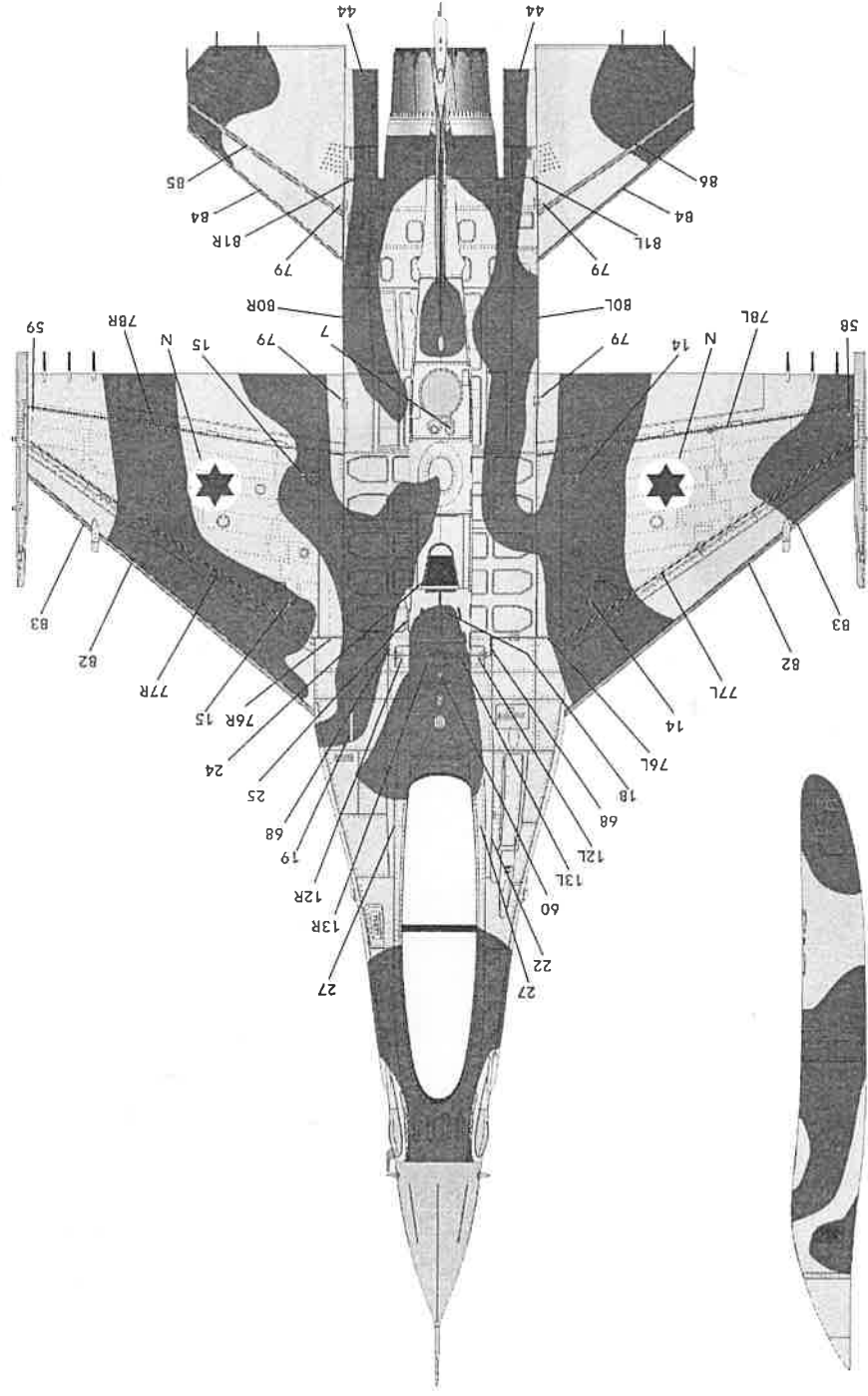


P10

B5



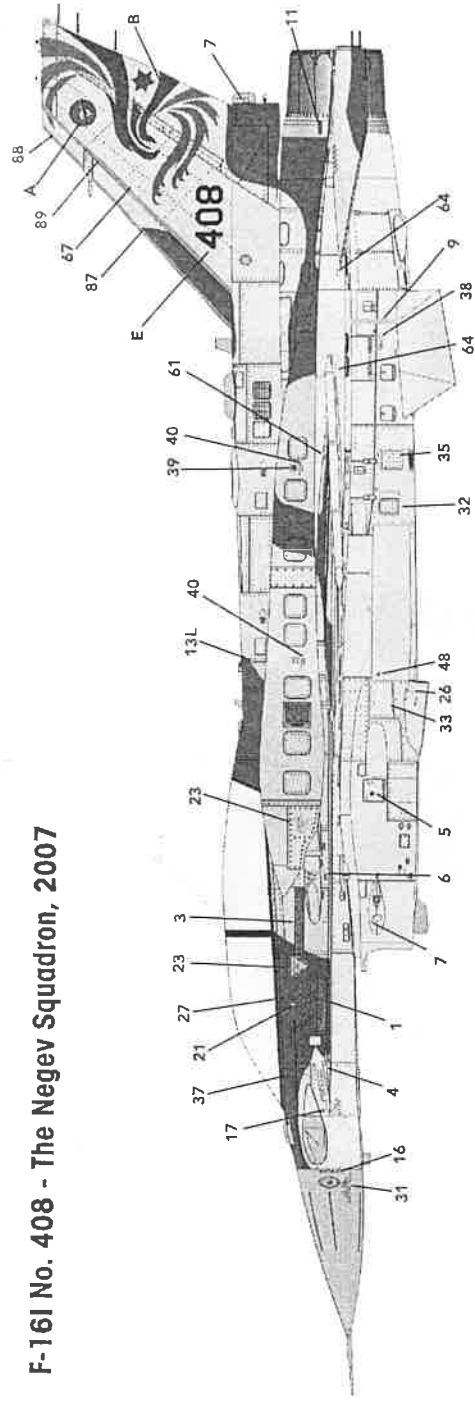
P11



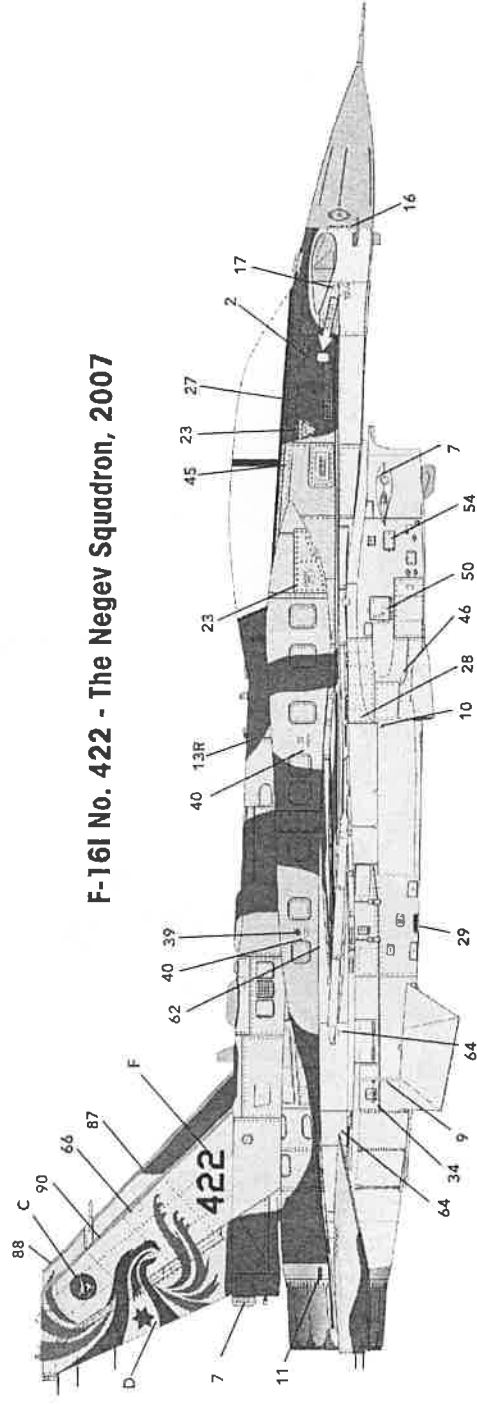
- Sand FS 33531
- Green FS 34424
- Brown FS 30219
- Grey FS 36375

Created by sky'sdecals by order of Kinetic model kits.
 sky's-decals website: www.skysdecals.webs.com
 Decals design by: Netanel Deri

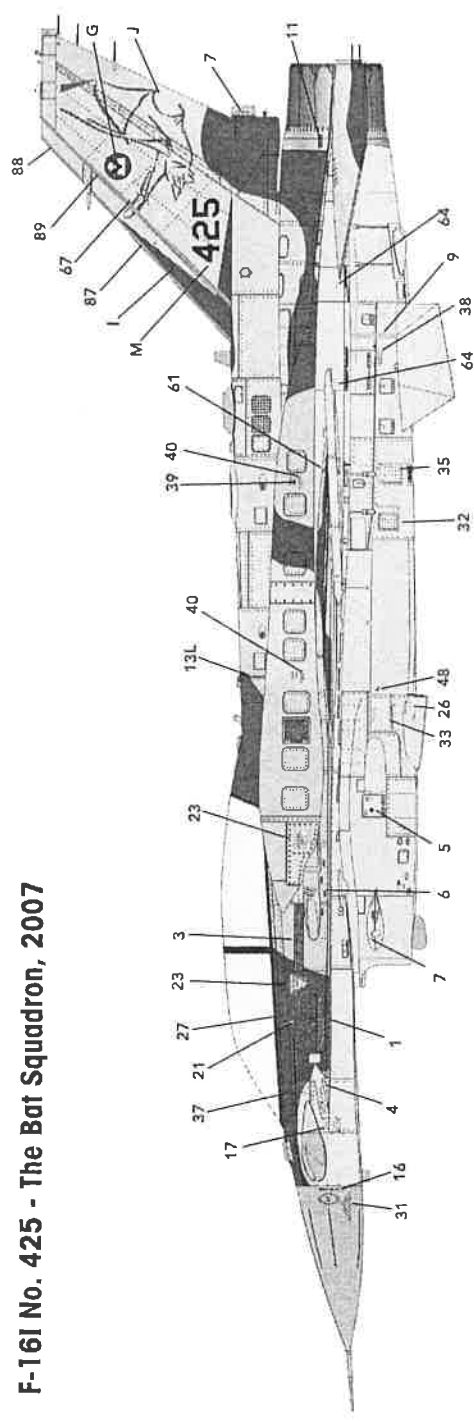
F-16I No. 408 - The Negev Squadron, 2007



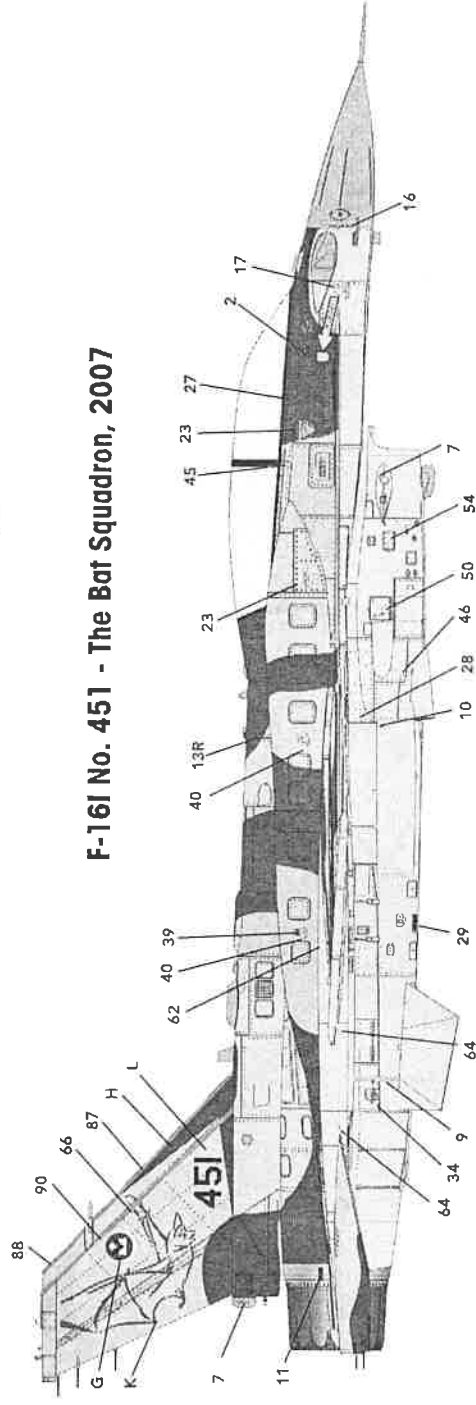
F-16I No. 422 - The Negev Squadron, 2007



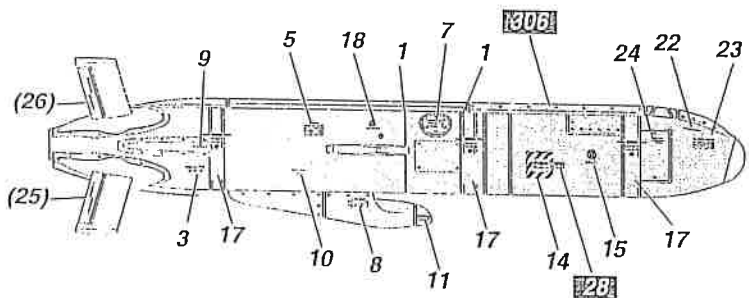
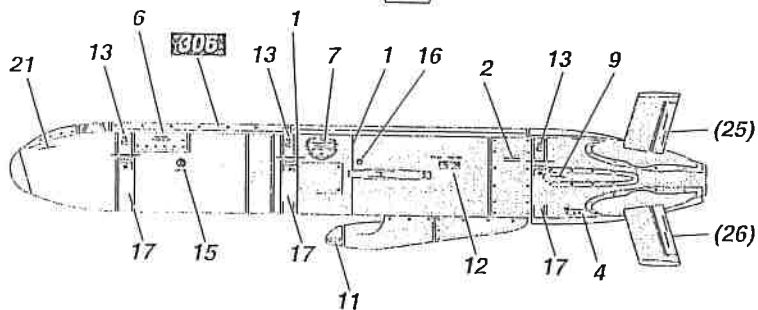
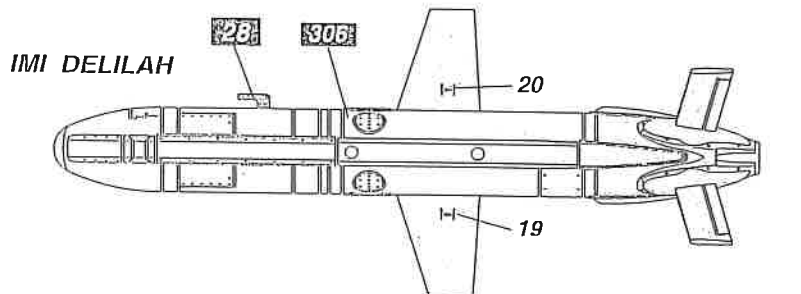
F-16I No. 425 - The Bat Squadron, 2007



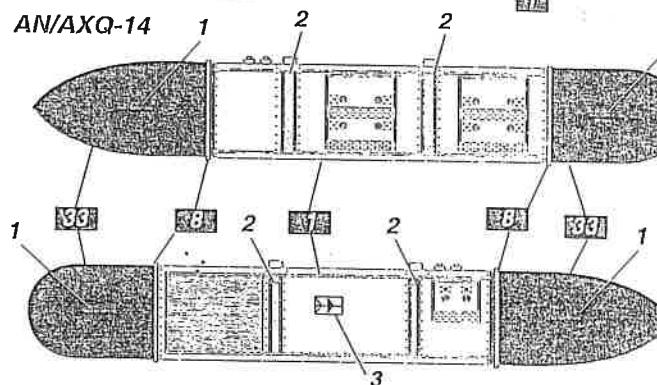
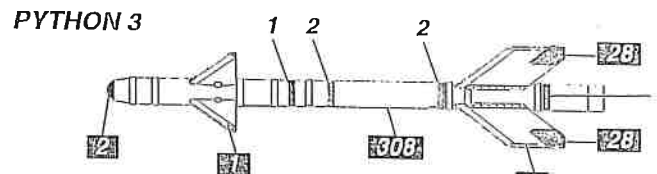
F-16I No. 451 - The Bat Squadron, 2007



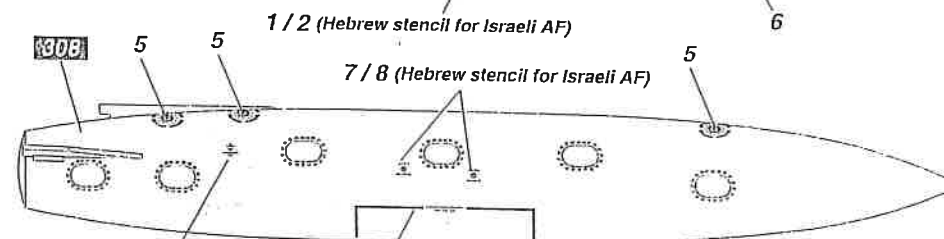
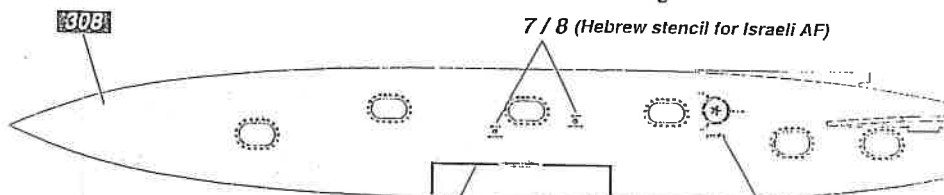
- 17A WHITE 2 BLACK 6 SILVER 28 GUN MATEL
- 30 FLAT BLACK 306 GRAY FS36320 308 GRAY FS36375



DRAWINGS NOT TO SCALE () repeat on four sides



600 GAL. FUEL TANK



4 / 3 (Hebrew stencil for Israeli AF)

1 / 2 (Hebrew stencil for Israeli AF)