

M4 Sherman VVSS T48-TRACK

AFV CLUB
AF 35038

M4.M3.M12

M4A4.M3A4.Firefiy

158 shoes per vehicle
(79/track)

166 shoes per vehicle
(83/track)

Illustration: 圖示說明



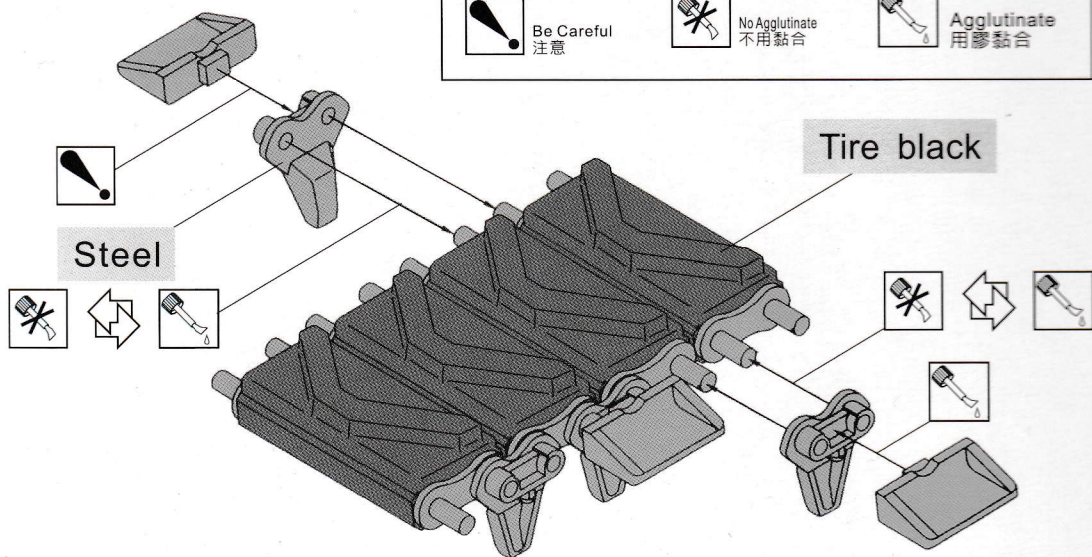
Be Careful
注意



No Agglutinate
不用黏合

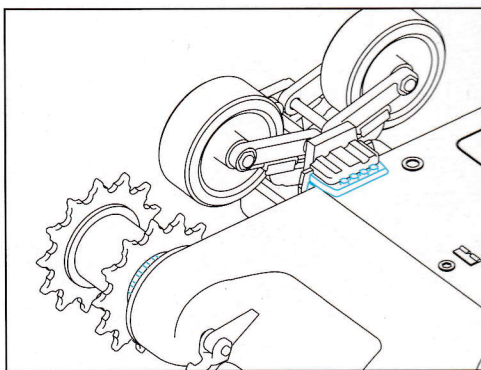
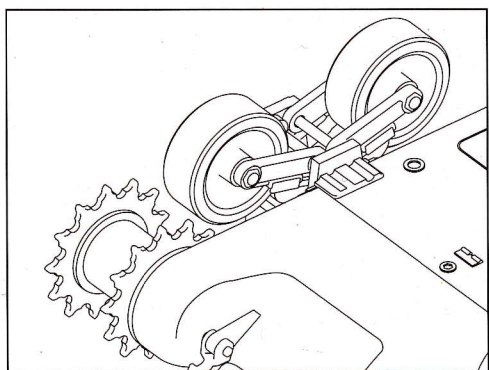


Agglutinate
用膠黏合



To reduce pressure resulted from contact of the ground, VVSS system incorporates an arm. An arm is always assembled outside of truck, the VVSS that includes drive sprocket & idler wheel has to be extended outside if the arm is assembled inside of track. (below)

為減低履帶接地壓力, VVSS懸吊所使用的履帶可在履帶兩側延伸出附加的配件(俗稱“鴨嘴”), 但一般車輛僅在履帶靠外的一側才有安裝, 如果將履帶內側如同外側般安裝時, 必須先將包含驅動輪、惰輪在內的整組懸吊自車身向外擴張, 如此車身與履帶間才擁有可容納“鴨嘴”的空間。(如下圖)



Color list: 塗料表

Color	Brand	Gunze Sangyo			Humbrol	Revell	Life Color
		Hobby Color	Mr. Color	Mr. Color Spray			
Steel	黑鐵	H-18	C-28	J-28	53	91	LC76
Tire black	輪胎黑	H-77	C-33+C-62		85	302	