

Schwerer Zugkraftwagen 18 t with 6 t Billstein-Crane, Sd.Kfz.9/1

Sd.Kfz.9/1 18吨半履带搭载6吨级起重机

READ BEFORE ASSEMBLY:

- Study and understand these instructions thoroughly before beginning assembly
- When needed, remove photo-etch parts carefully using a modeling knife or photo etch sprue cutter, being careful not to damage or lose small parts.
- Take extra care in handling photo etch parts in order to avoid injury
- Apply instant cement sparingly to photo etch parts where instructed
- Tools recommended(not included in kit):Plastic and instant cements, sprue cutters,long nose pliers,modeling knife, small files, tweezers, pin vise & scissors. Soft cloth and sandpaper will also assist in construction
- Glue and paint are not included in the kit. Use plastic cement and hobby paints only. Color guide for purchasing paint is included in the kit.

装配之前仔细阅读

- 小心用模型锉刀锉平所有零件表面的注射浇口。
- 小心用刀片切下蚀刻片零件，不要遗失小零件。
- 用强力快干胶水粘合蚀刻片零件和金属轴。过量快干胶水使用可能导致可动零件会粘住，小心涂胶。
- 取蚀刻片时应特别注意安全，防止利边划伤手指。
- 某些零件表面需贴上水贴纸，请选择在装配的同时进行。
- 推荐模型工具(自备)：胶水，水口剪刀，长咀钳，刀片，锉刀，镊子，钳，钻，剪刀，瞬间快干胶。
- 软布同砂纸同时也是所需工具。
- 请使用塑料胶水和油漆，模型内不含。



使用强力胶
Cyanoacrylate glue



配重
Weight



钻孔
Make hole



切除
Cut / Remove



贴纸
Decal



锉平
File / Sand



选择
Option



不涂胶水
No cement



弯曲
Bend



先装
Install it first



填补
Repair

水贴纸的使用:

- 1.从水贴纸上剪下印花;
- 2.将印花放入温水中浸10秒,然后放在干净布上。
- 3.拿着印花纸板将印花移到模型上;
- 4.手指蘸水将印花移到适当的位置;
- 5.用软布轻压印花直至水干, 气泡消失

DECAL APPLICATION

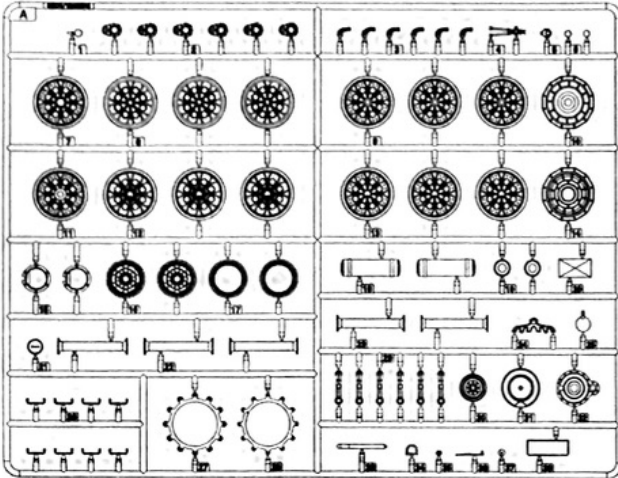
- 1.Cut decals from sheet as needed
- 2.Dip the decal in warm water for about 10 seconds and then place on soft clean cloth.
- 3.Hold the decal backing sheet edge and gently slide the decal onto the model in its proper position.

- 4.While still wet,decal can be adjusted for better fit on model by dampening it gently with your finger.
- 5.When placed in the proper position,gently press decal down with a soft cloth until excess water and air bubbles are gone.
- 6.Allow decal to dry completely before handling model

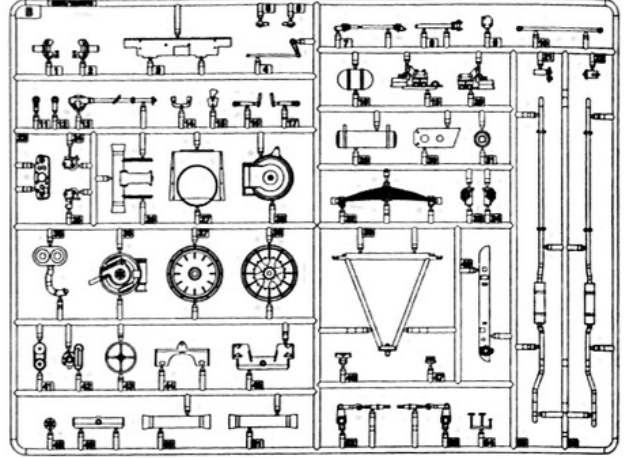
* 说明书中含有重要信息, 应保留。 Please Keep instruction since it contains important information.

部品图 Parts

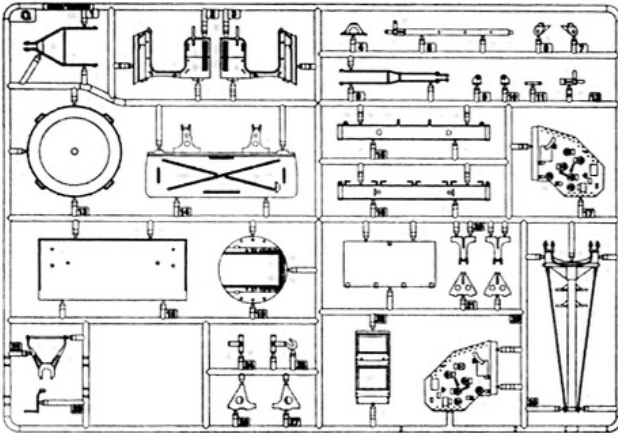
Ax2



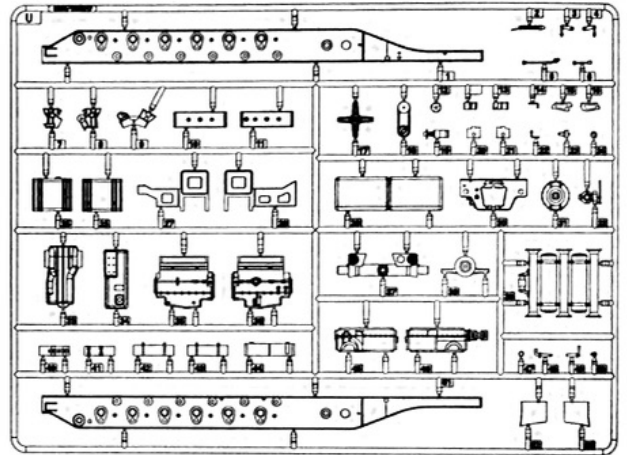
B



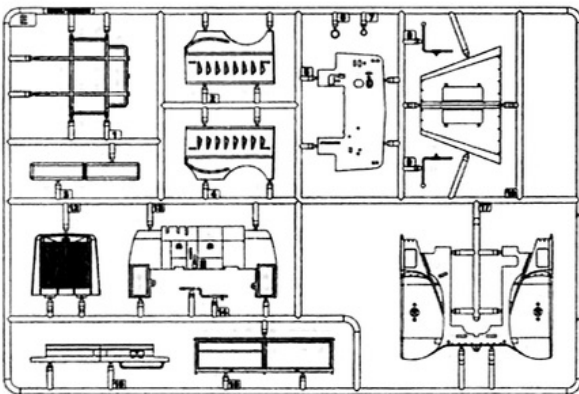
Q



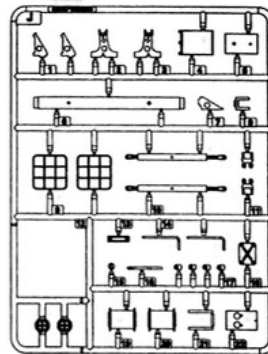
U



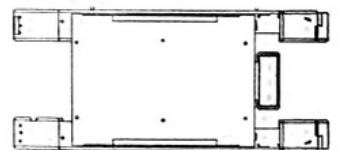
E



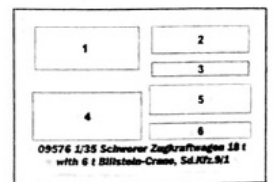
Jx2



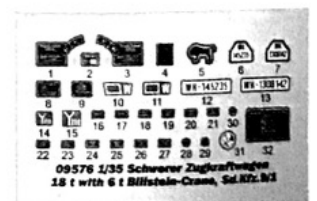
D2



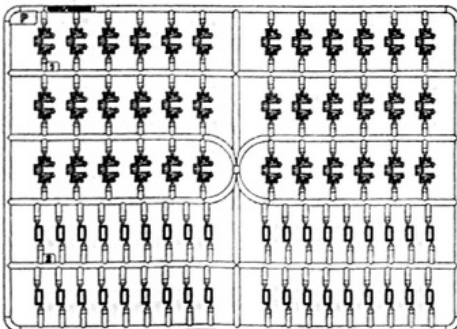
《遮盖纸》
Die-cut mask



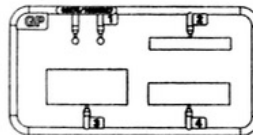
《水贴》
Decal



Px3



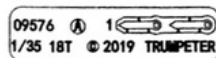
GP



《轮胎》 x3
Tyre x3



PE-A



《轮塞》I
Poly cap



《轮塞》II
Poly cap

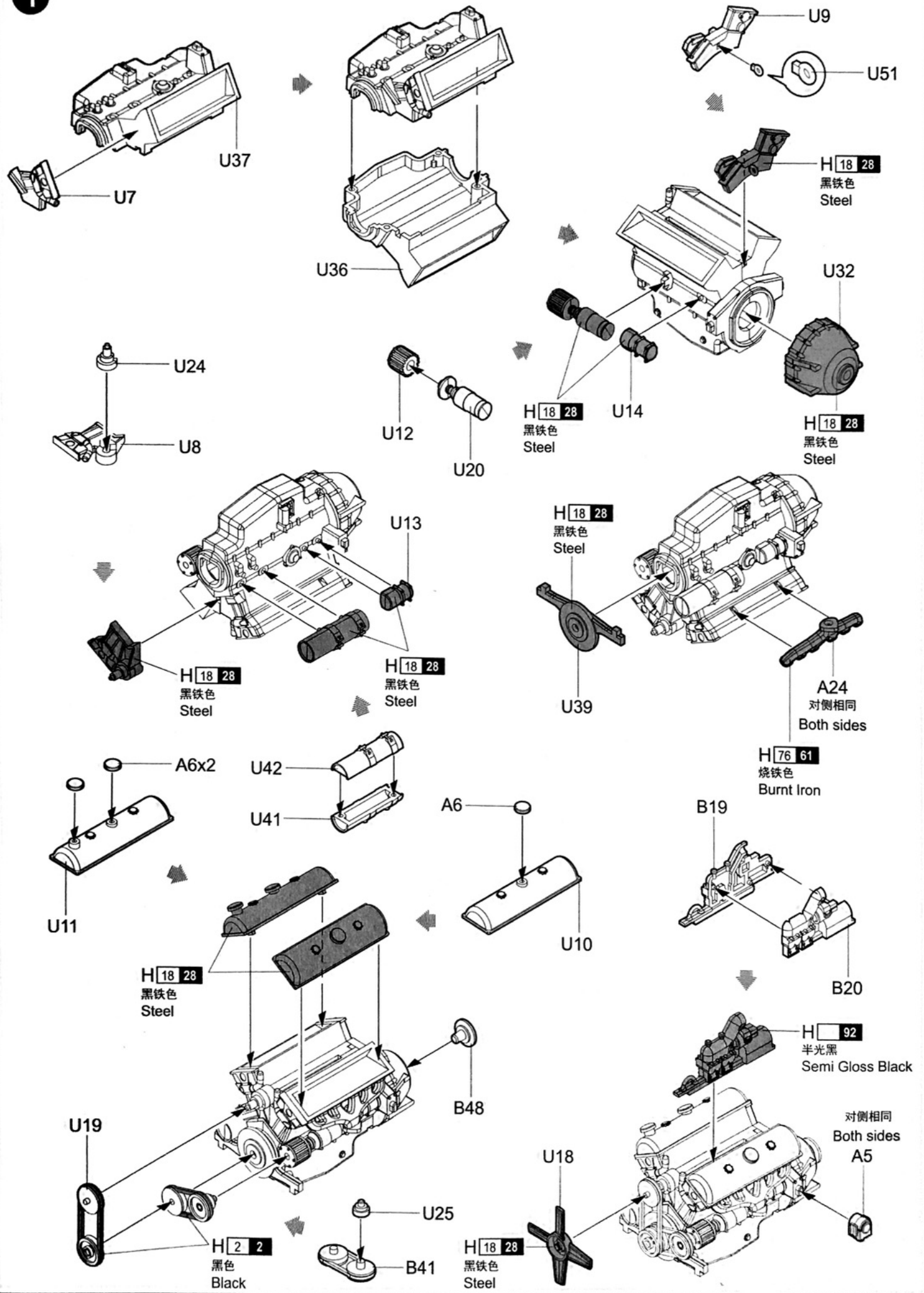


《棉绳》
Rope

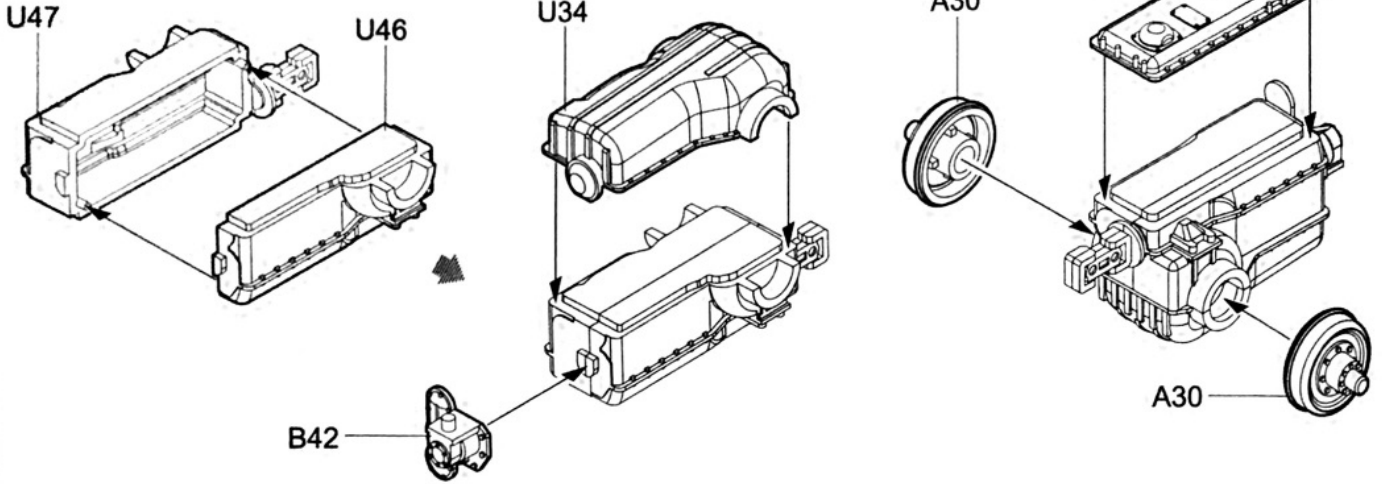


不用部件: E14
Unusde parts:

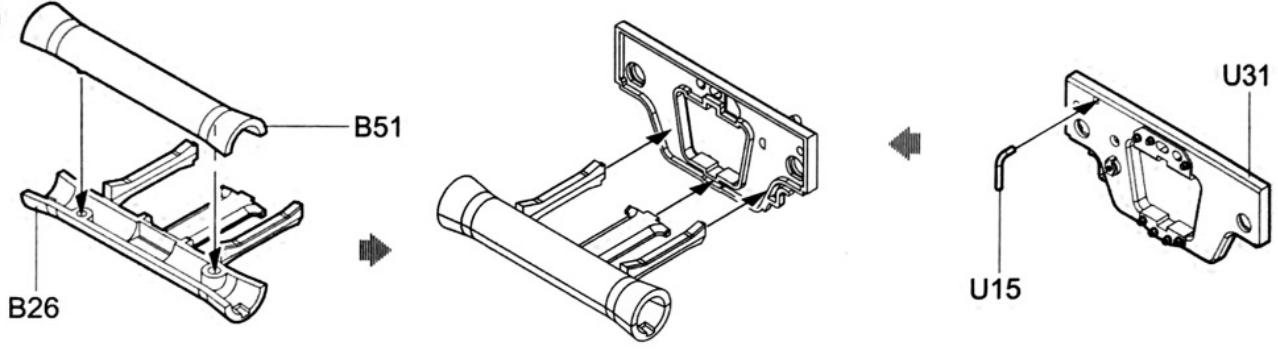
1



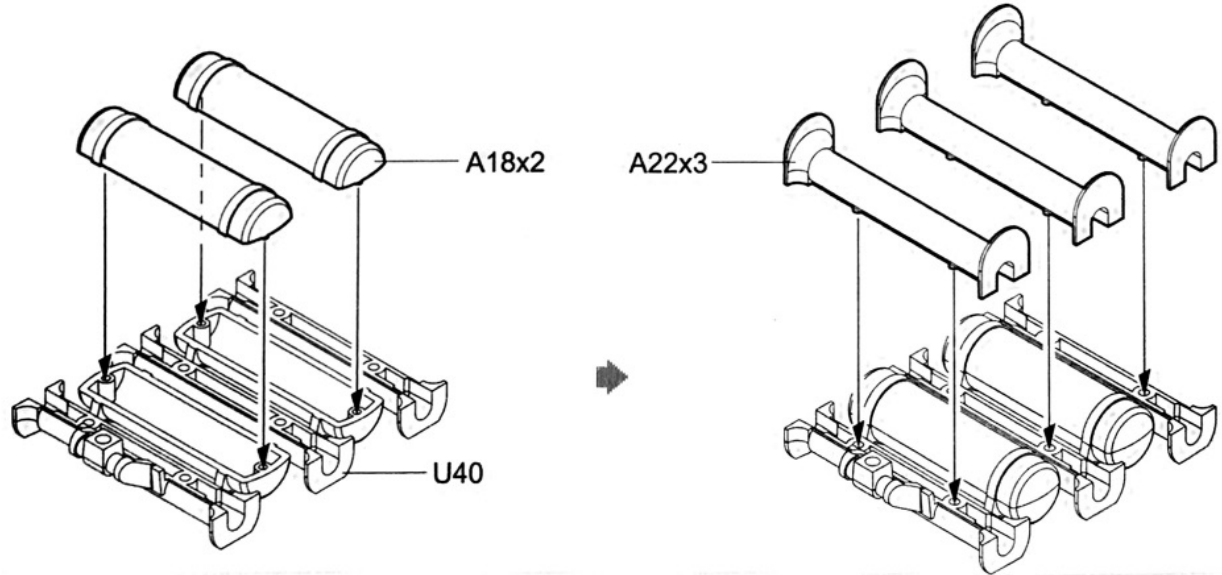
2



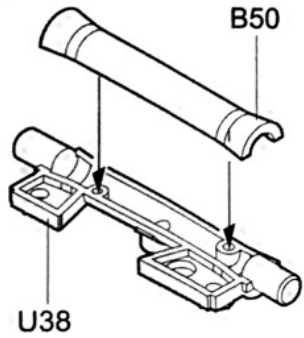
3



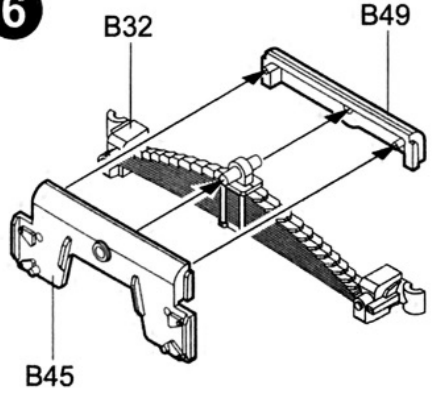
4



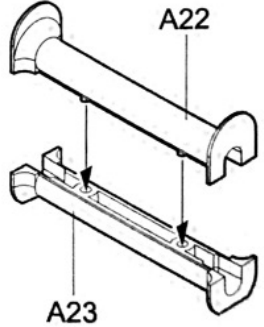
5



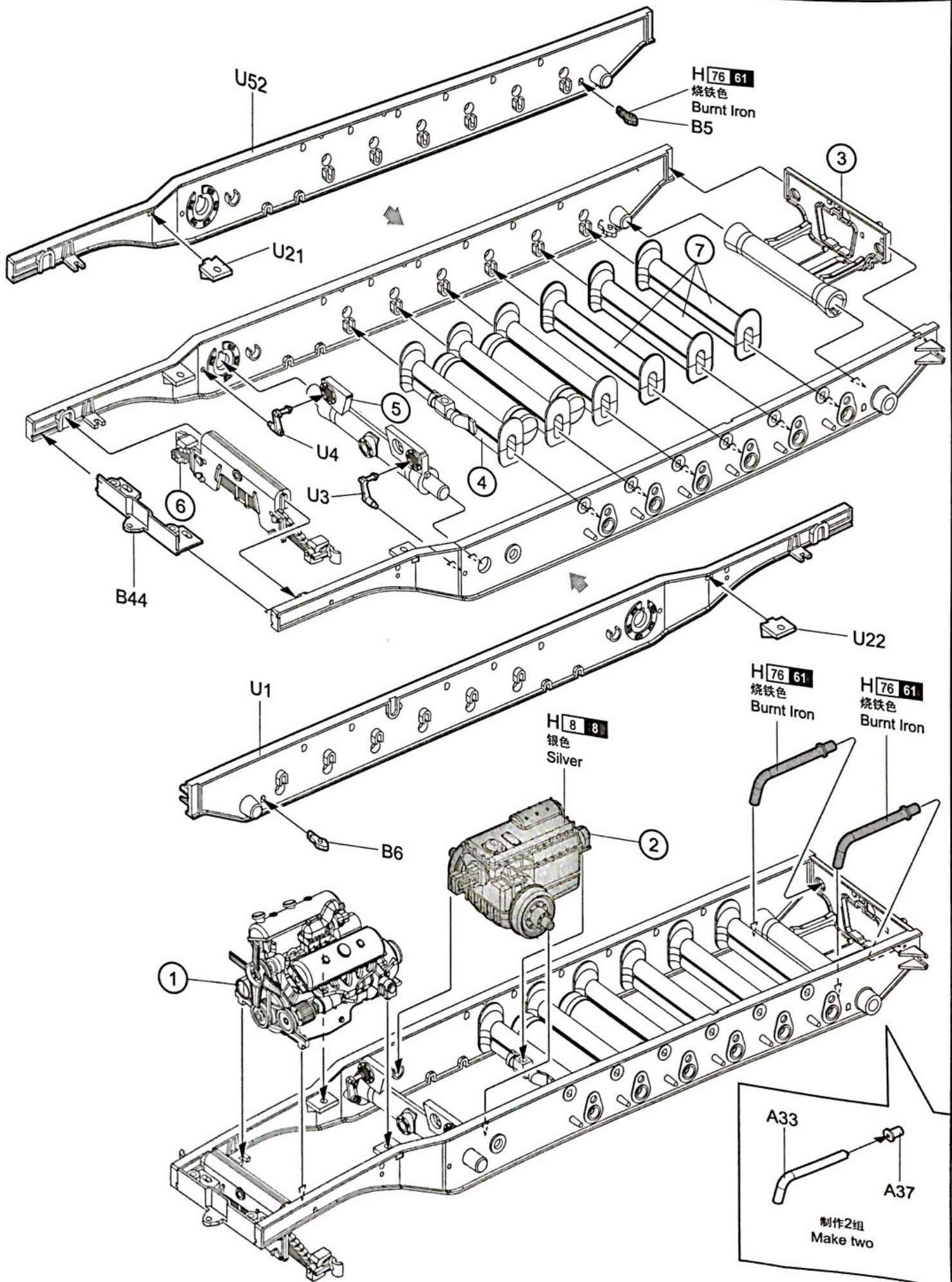
6



7

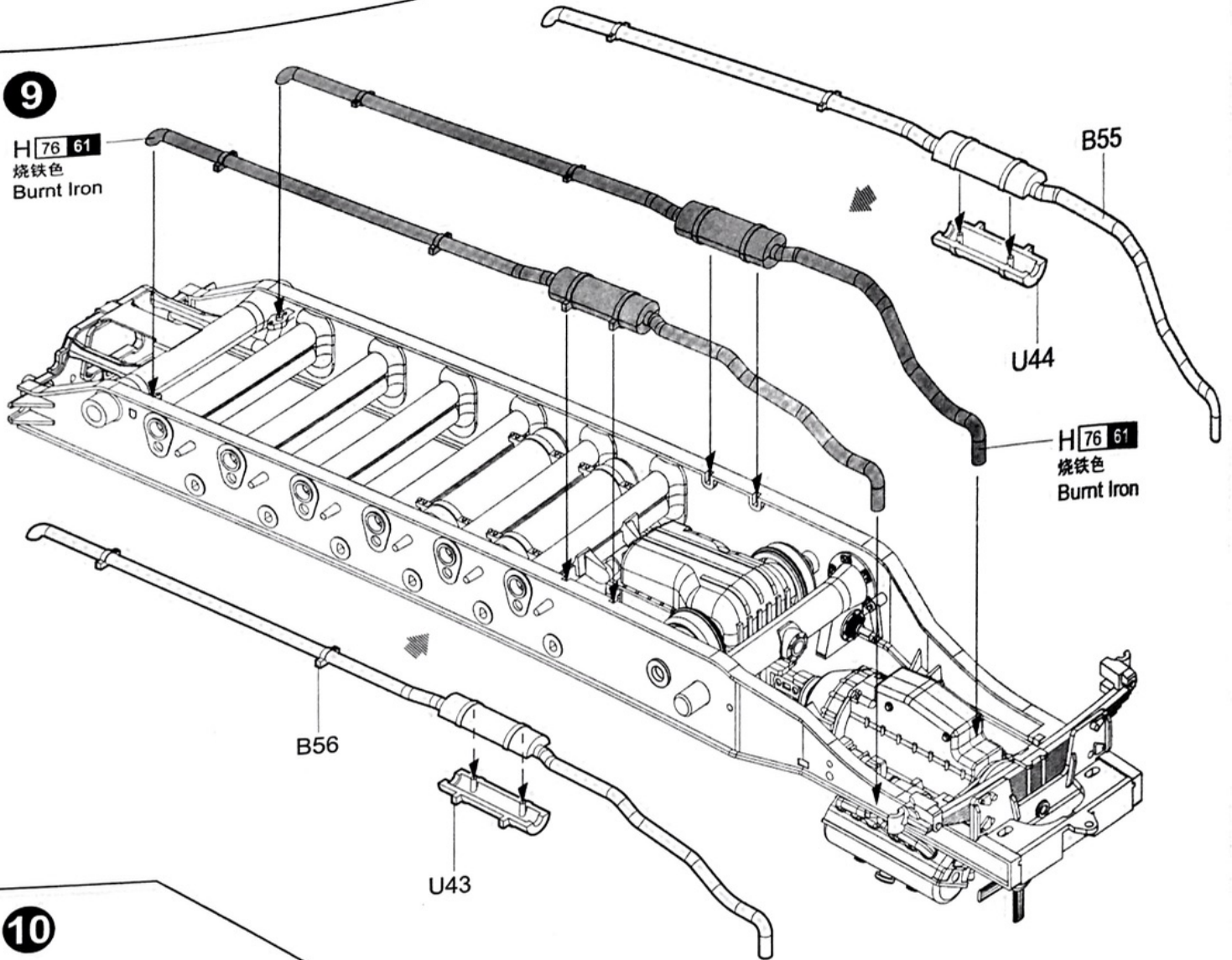


制作3组
Make three

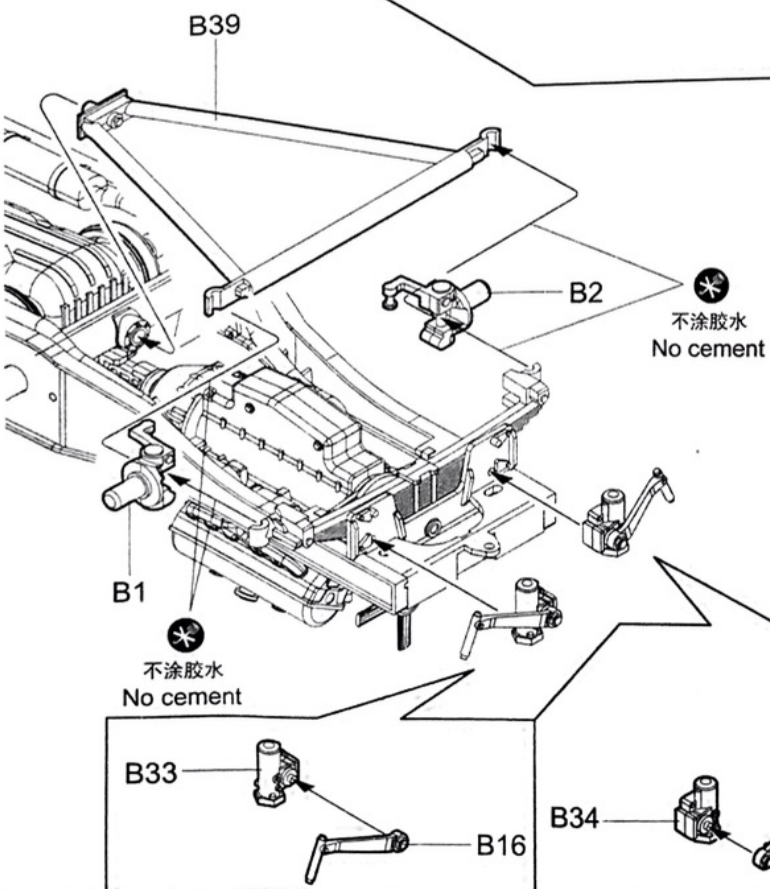


9

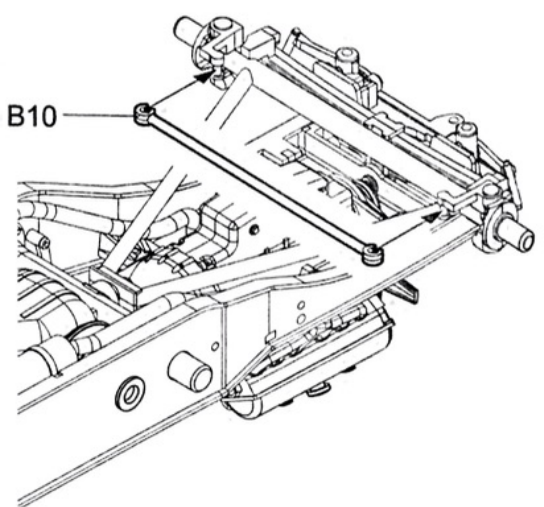
H 76 61
烧铁色
Burnt Iron



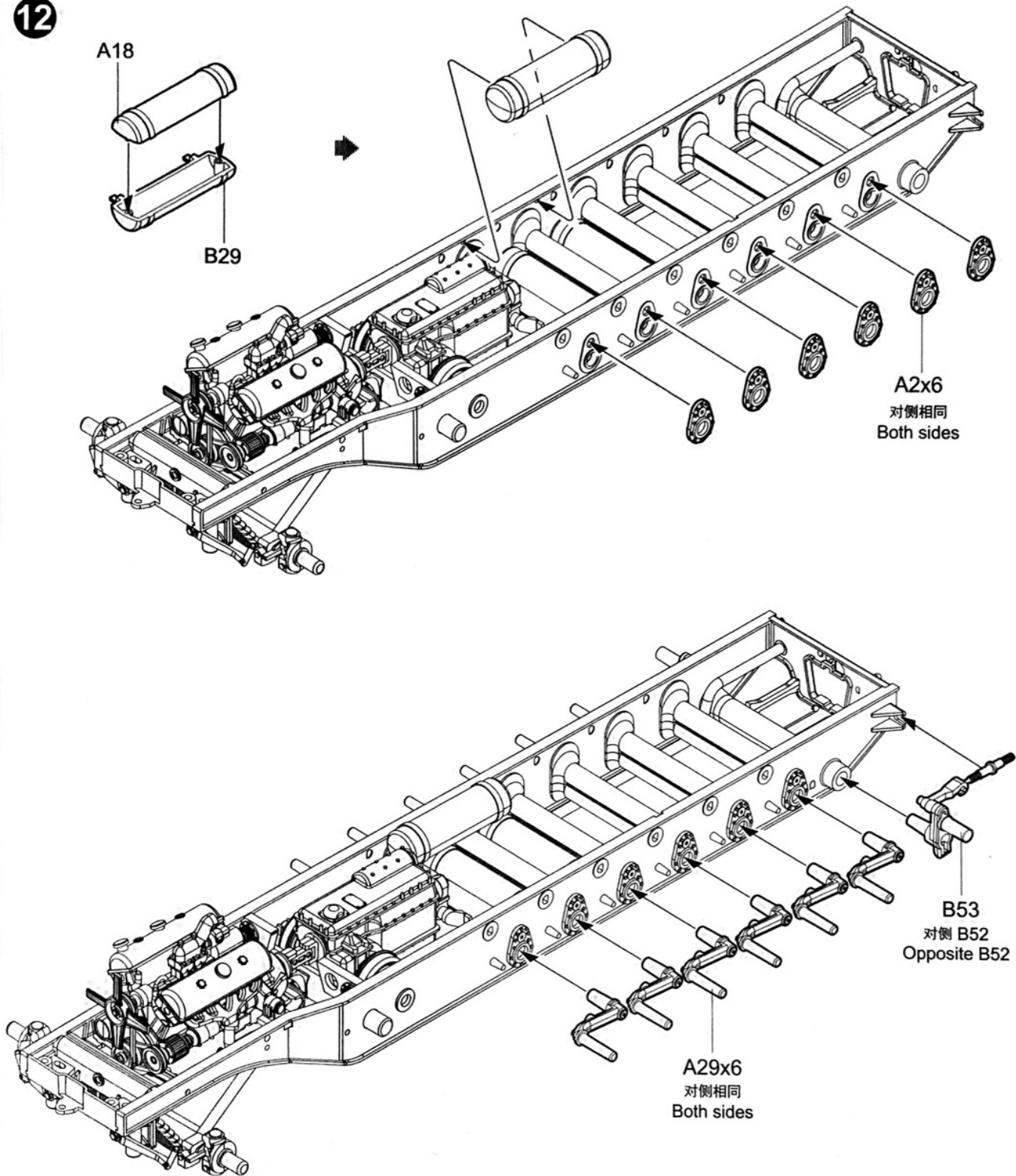
10



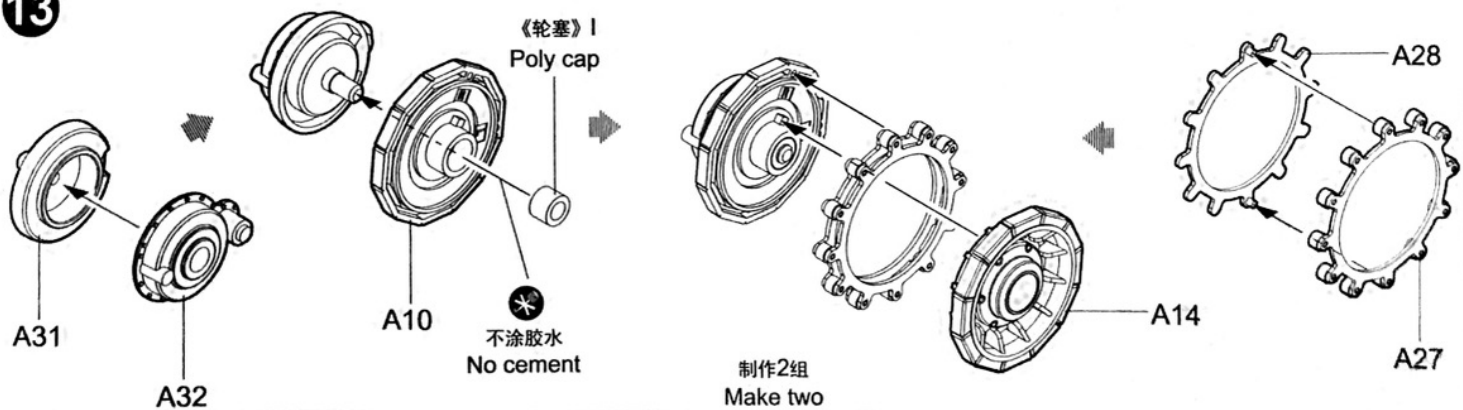
11

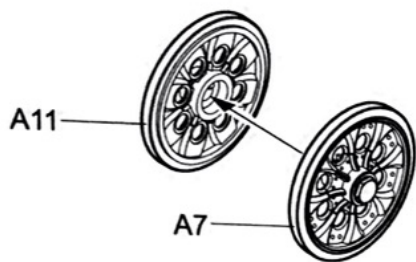
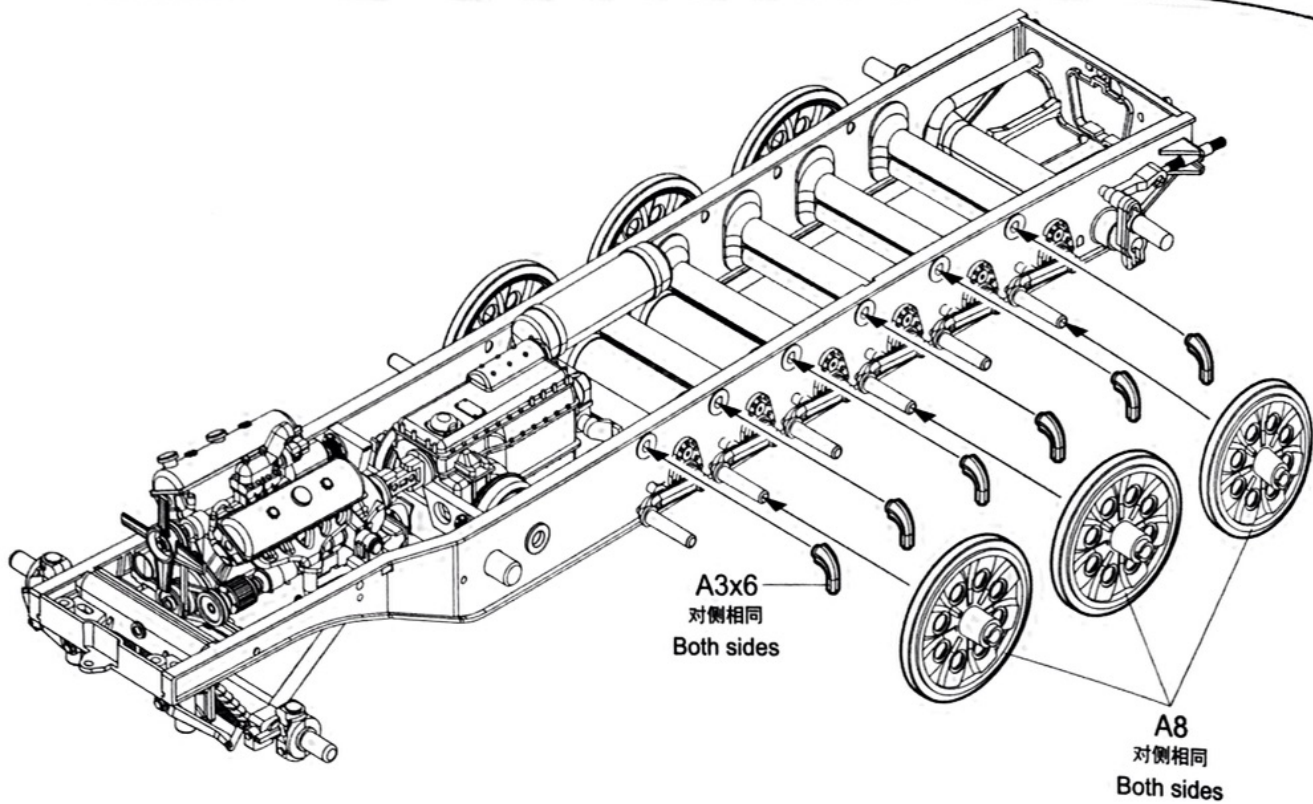


12

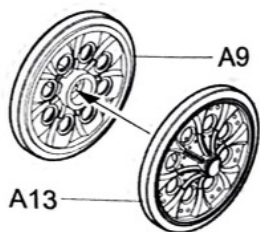
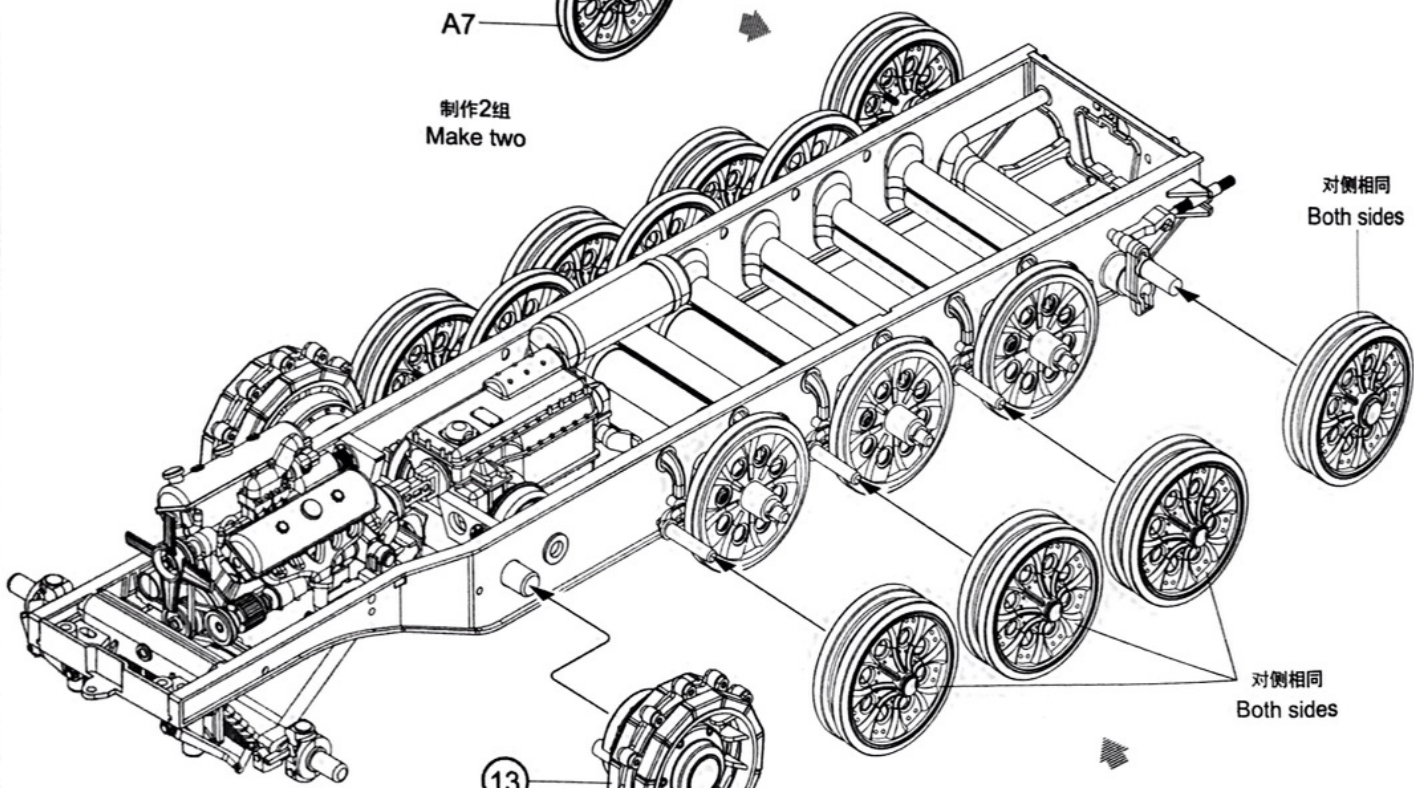


13



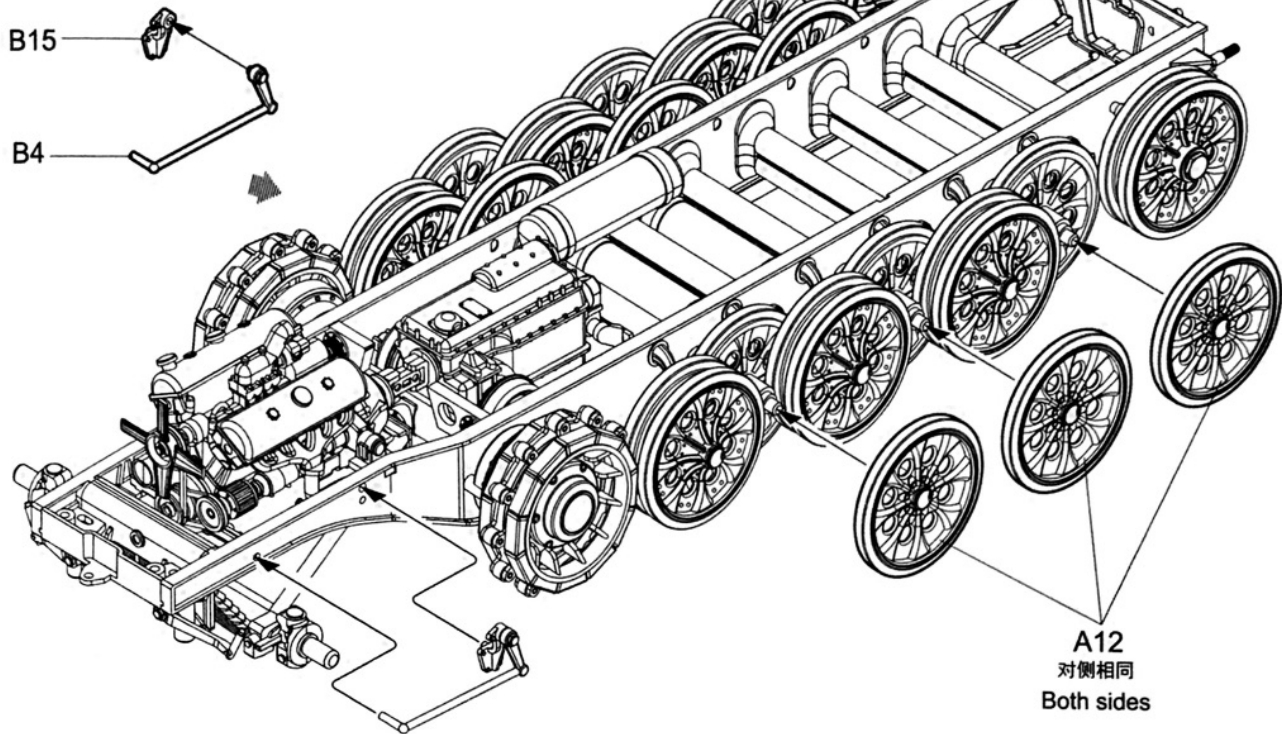


制作2组
Make two



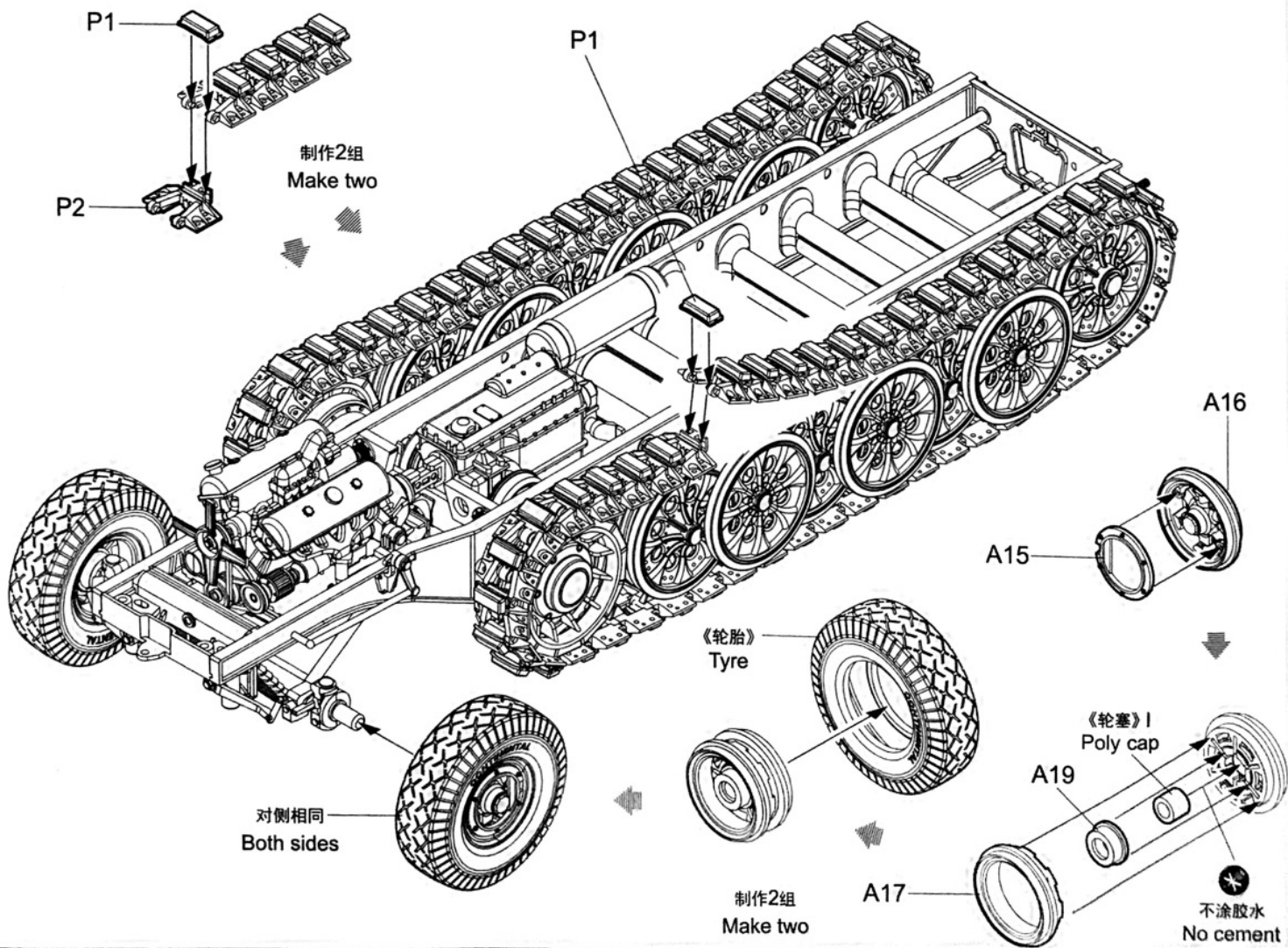
制作6组
Make six

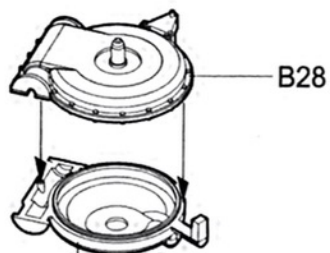
15



16

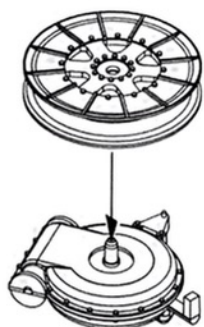
单侧履带需 47 节
Complete track for oneside requires 47 links





B36

B28



不涂胶水
No cement

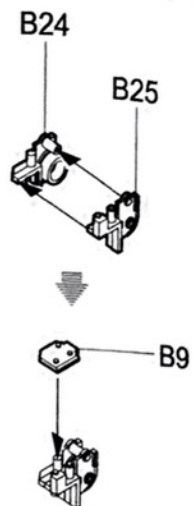
B37



B38

《轮塞》II
Poly cap

《棉绳》x500mm
Rope

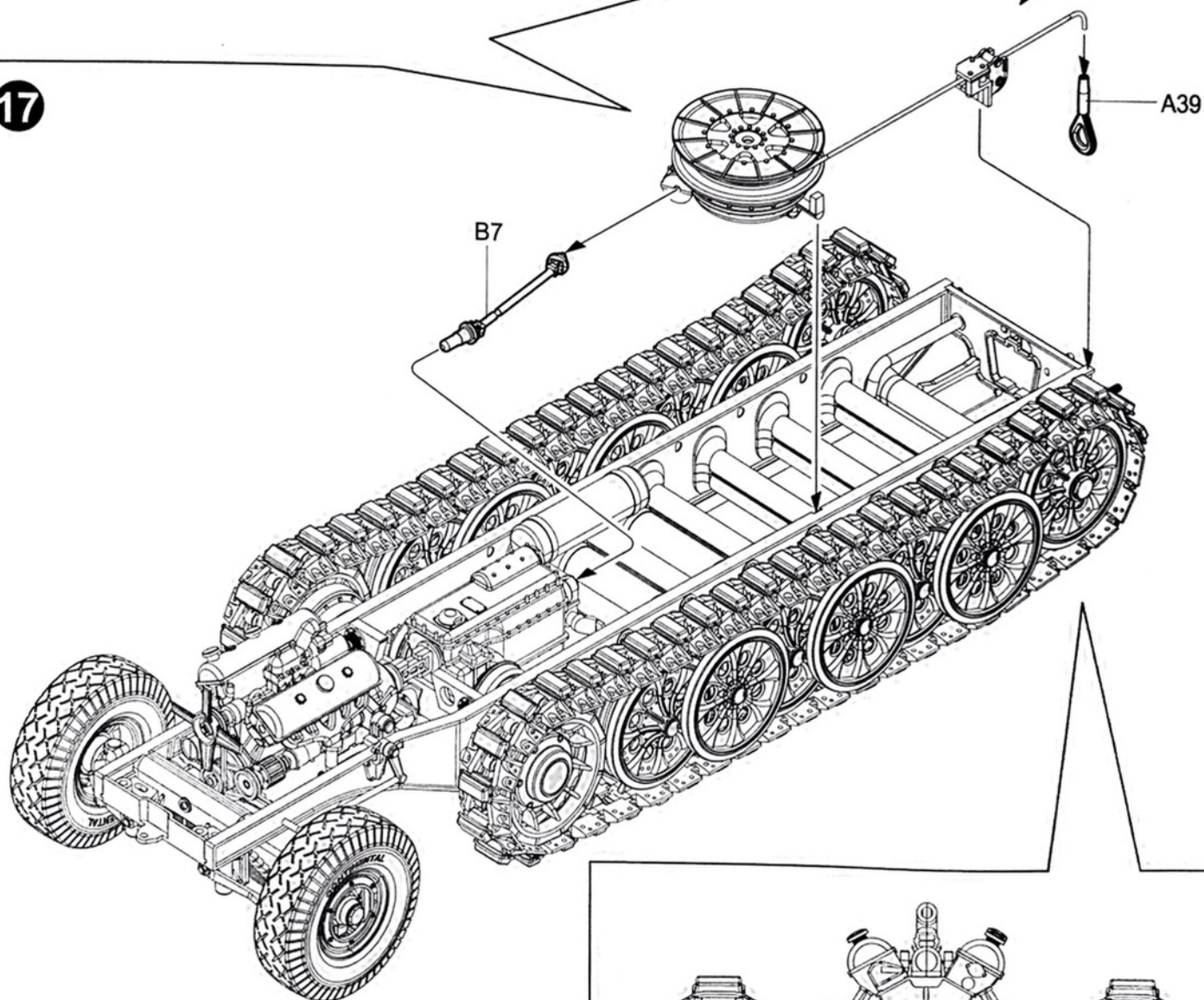


B24

B25

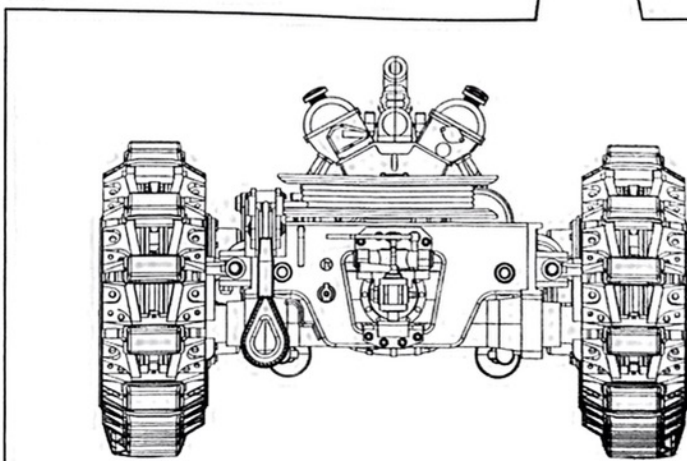
B9

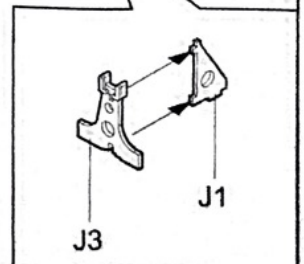
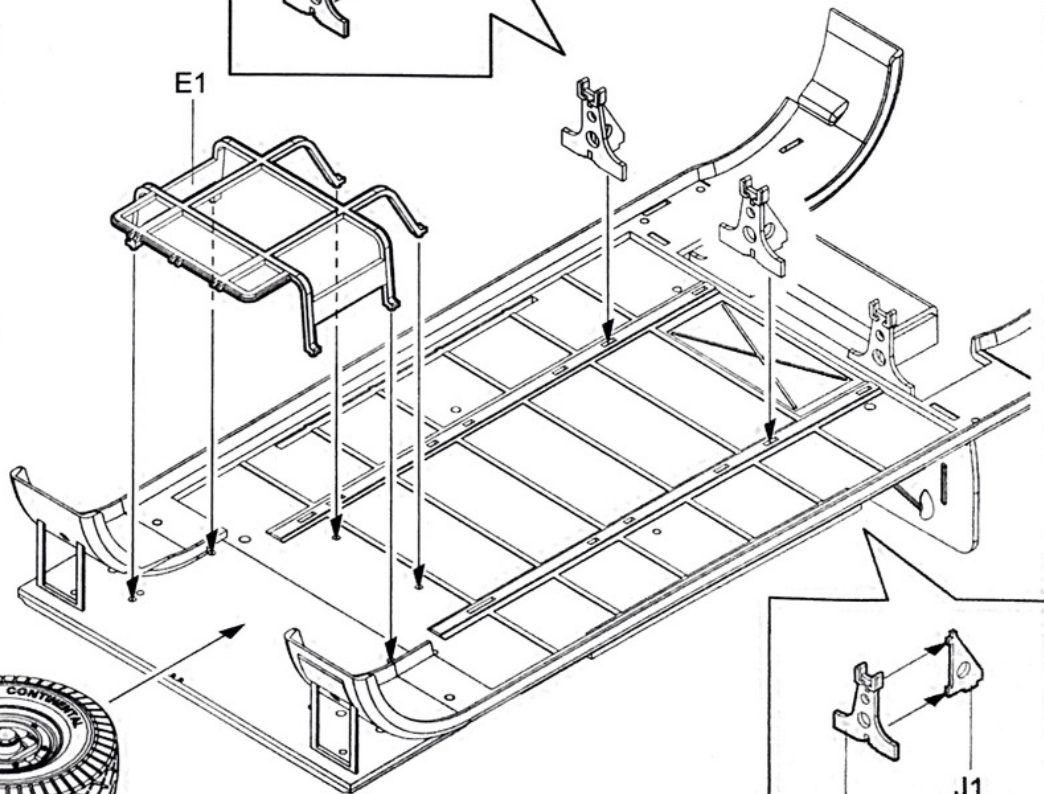
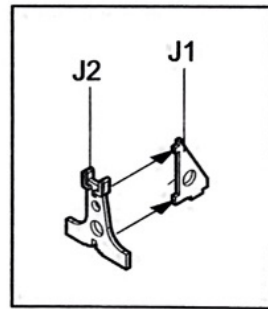
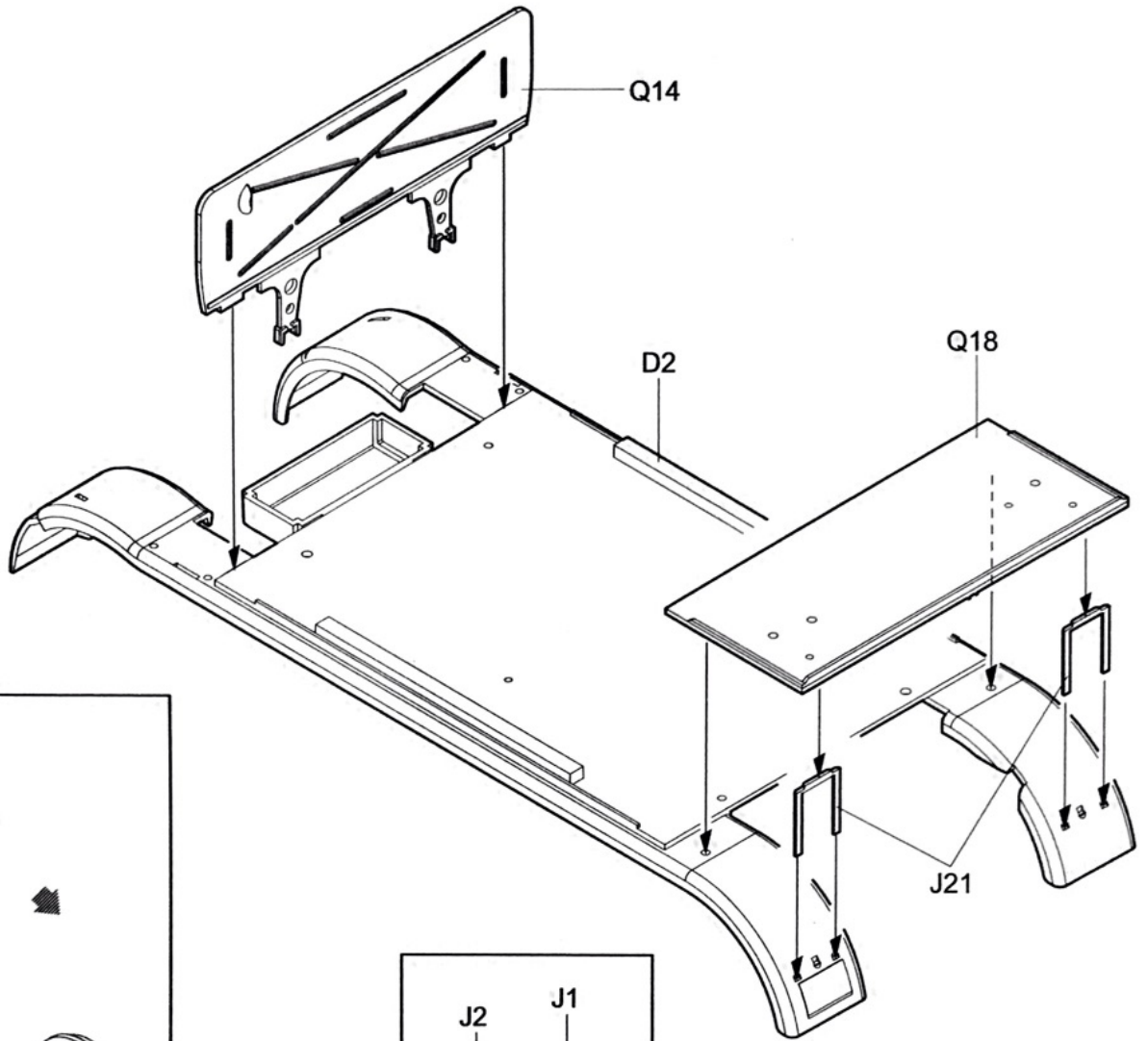
17



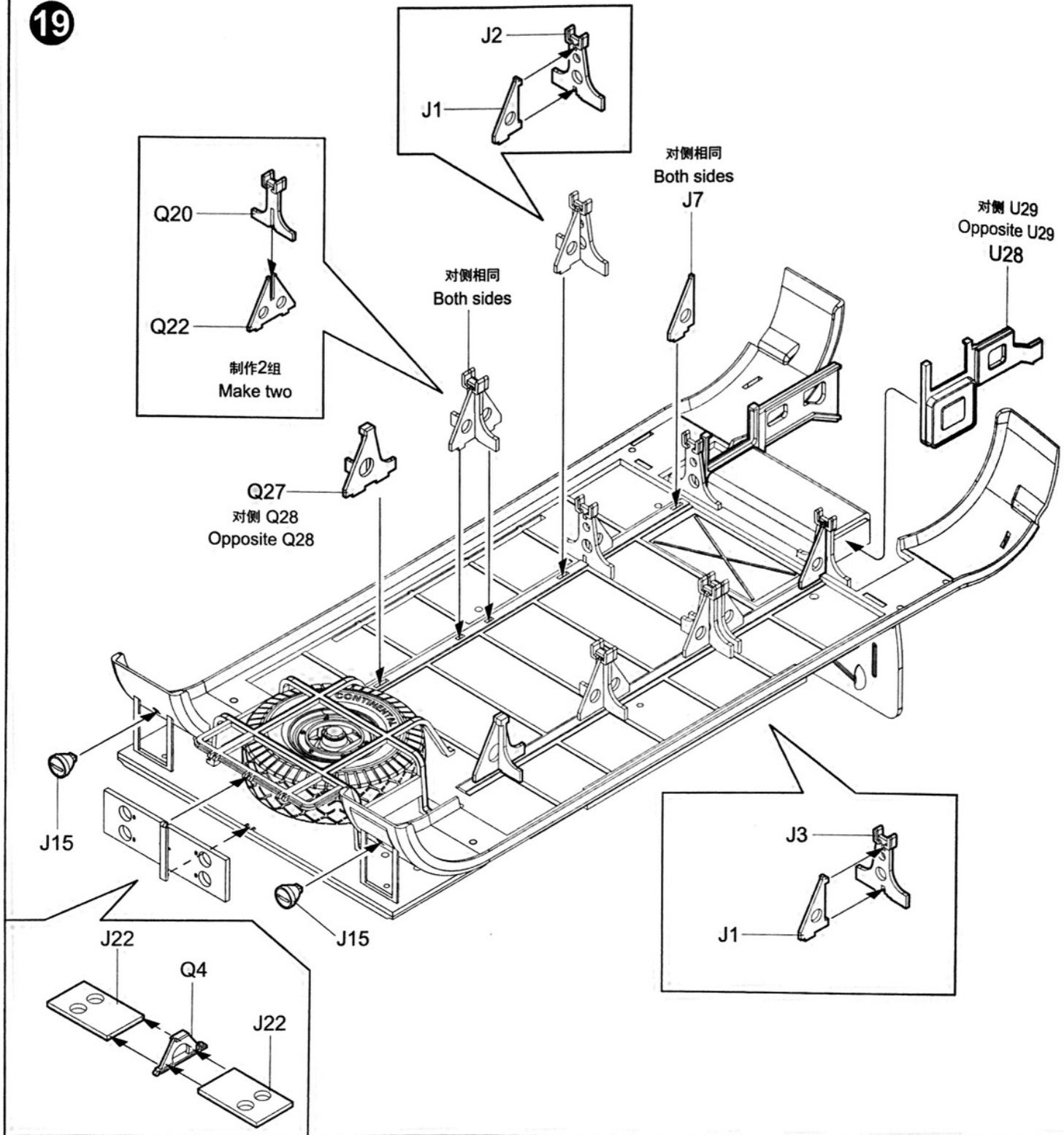
B7

A39

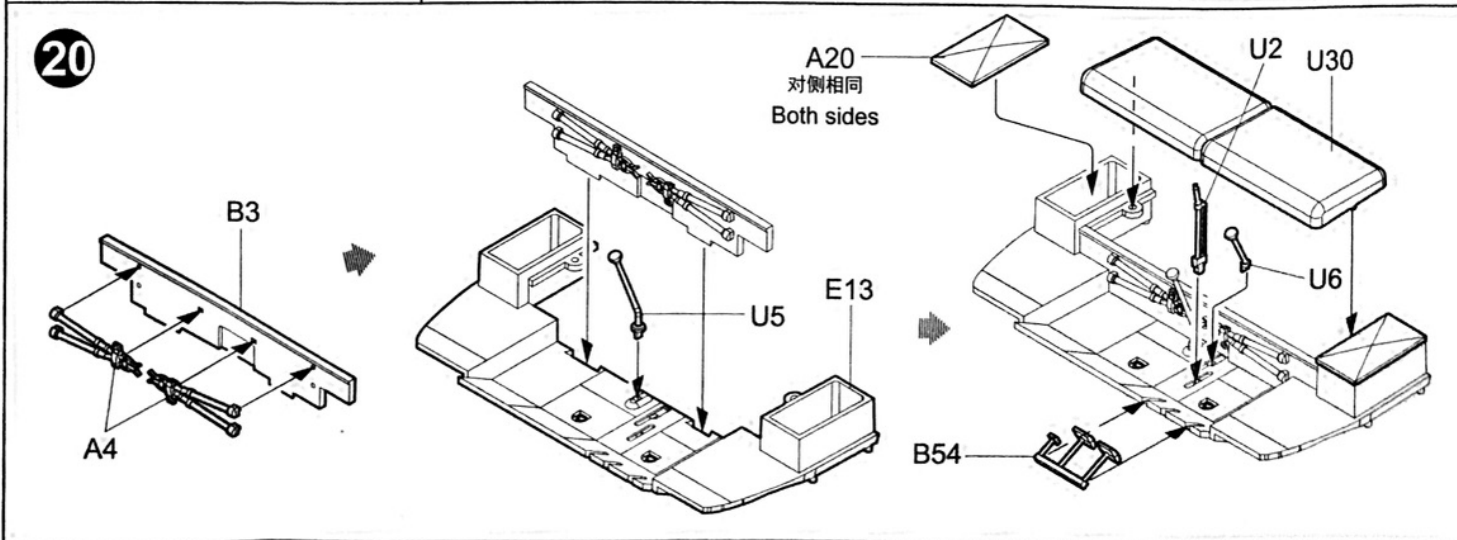




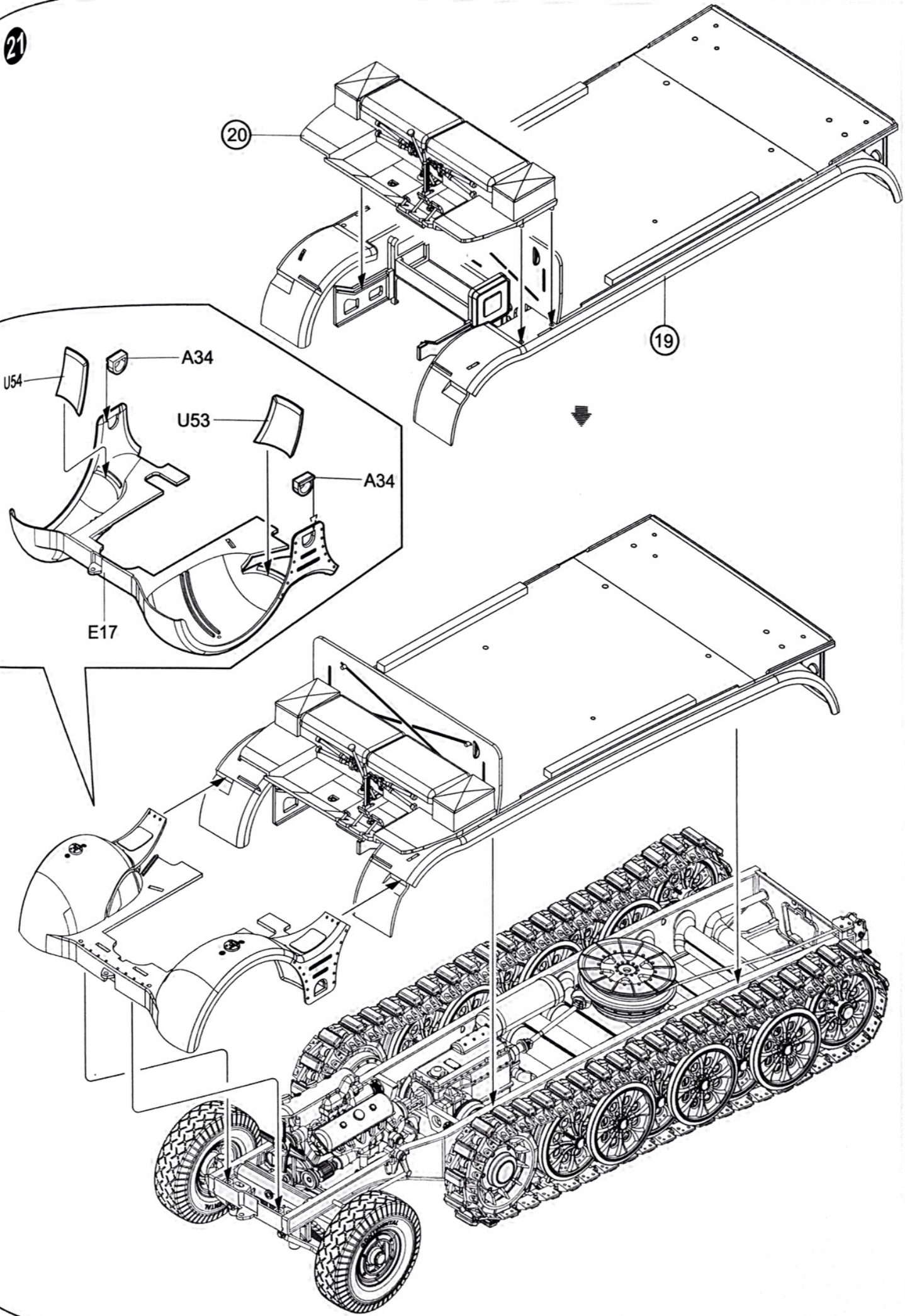
19



20

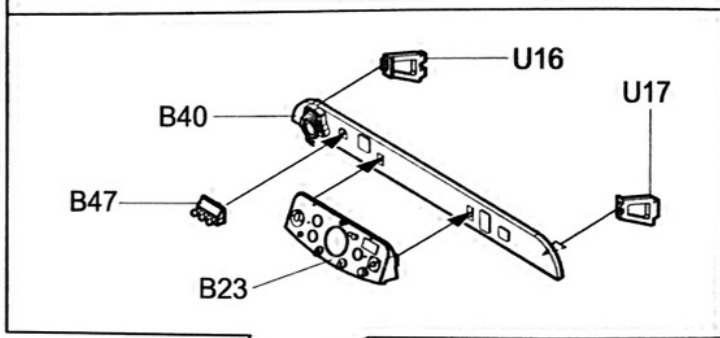
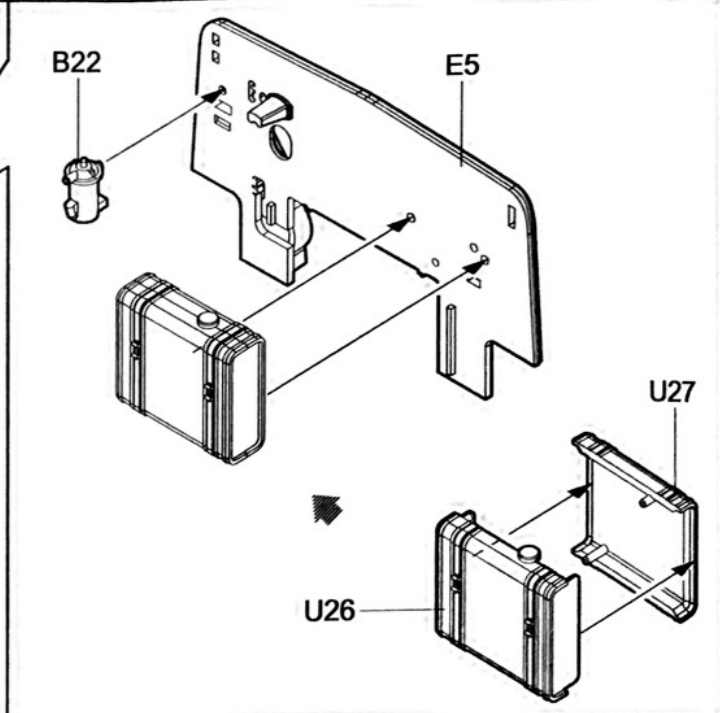
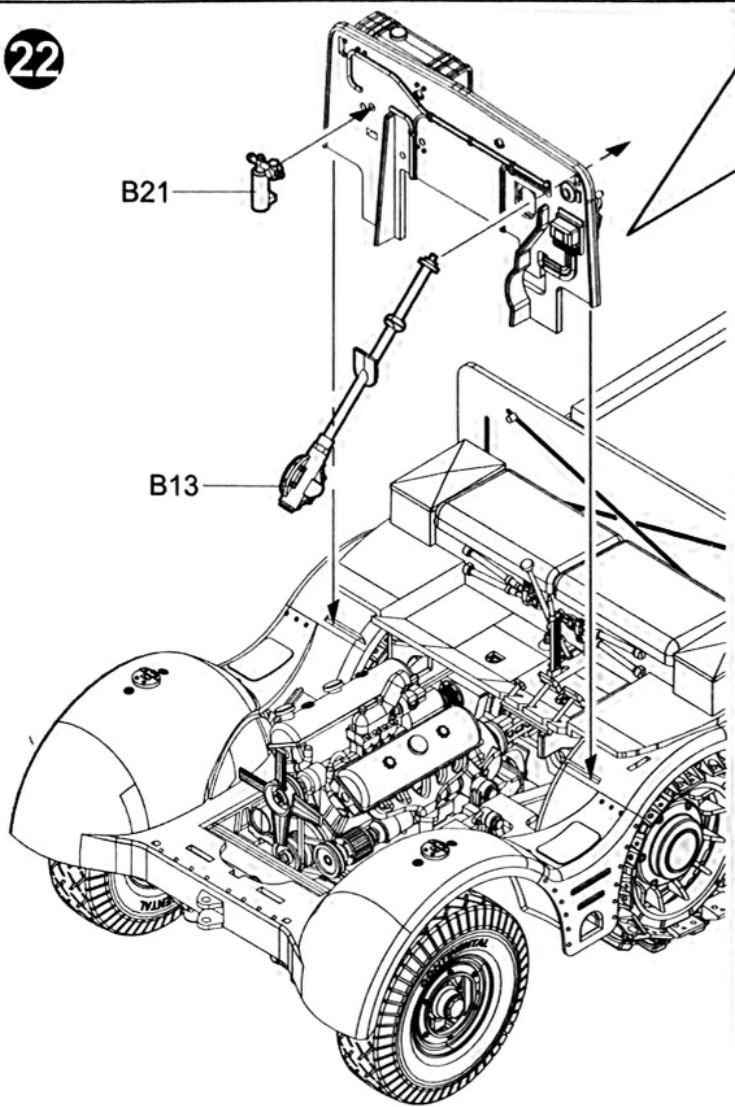


21

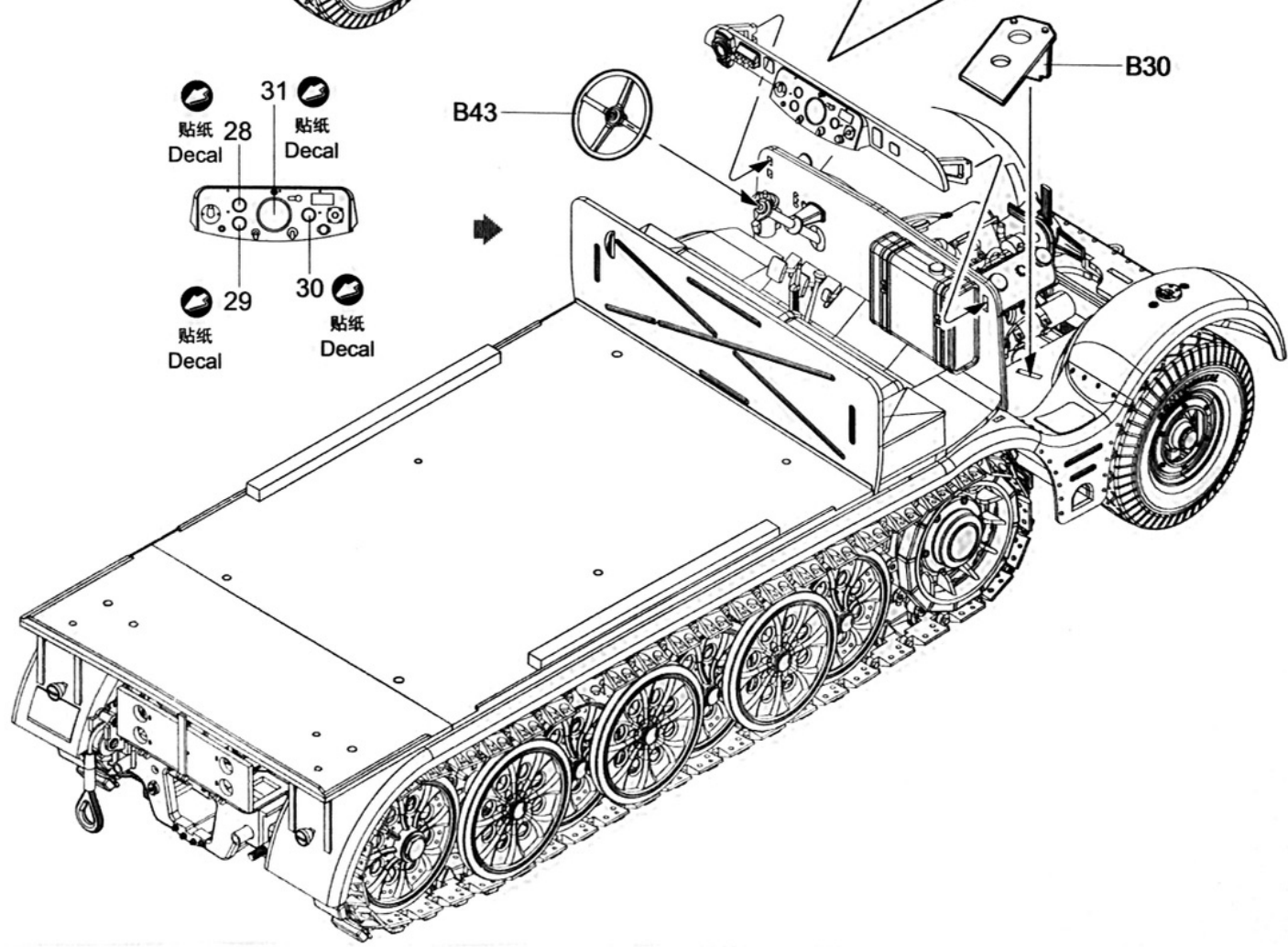


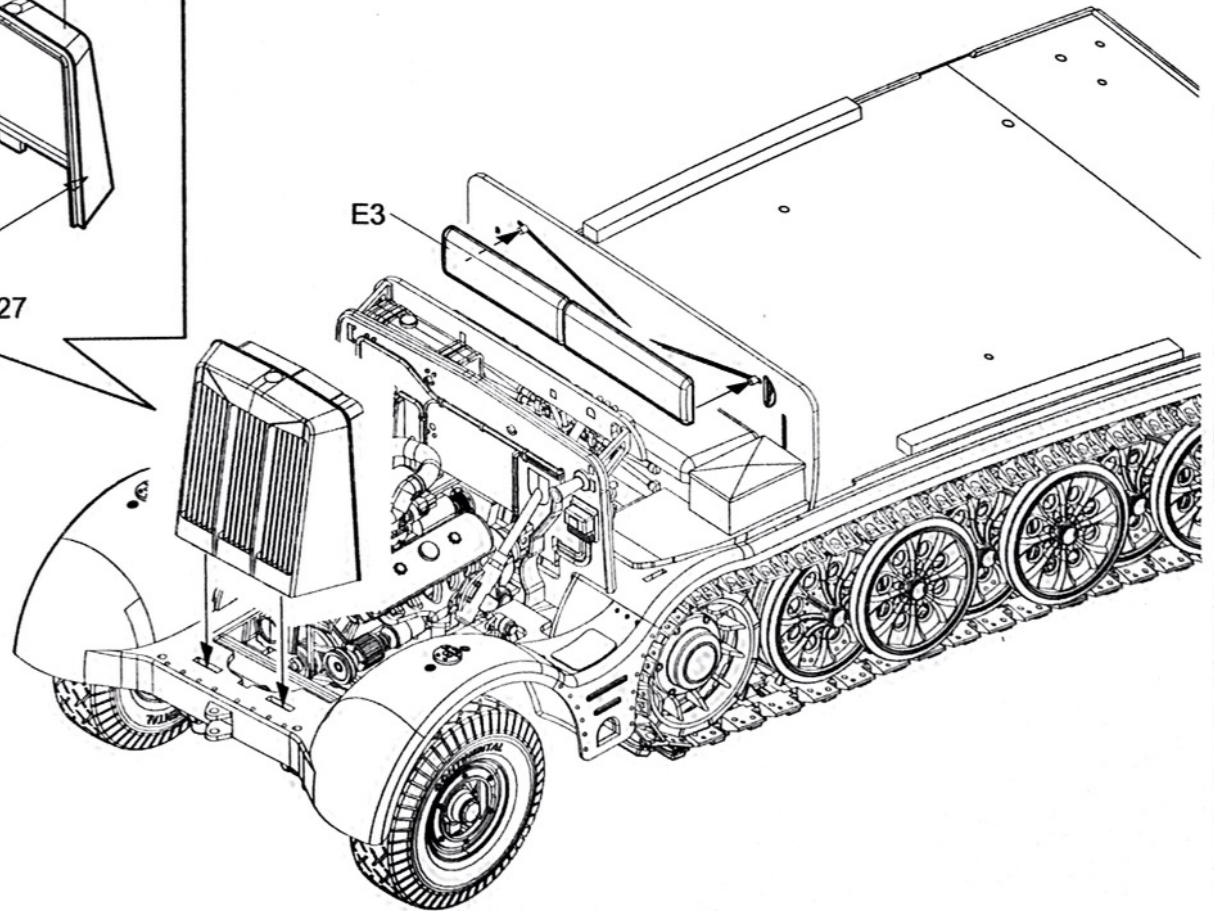
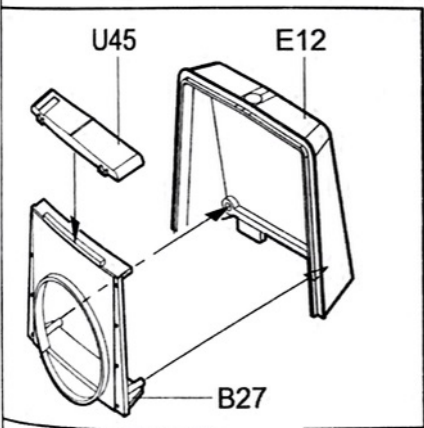
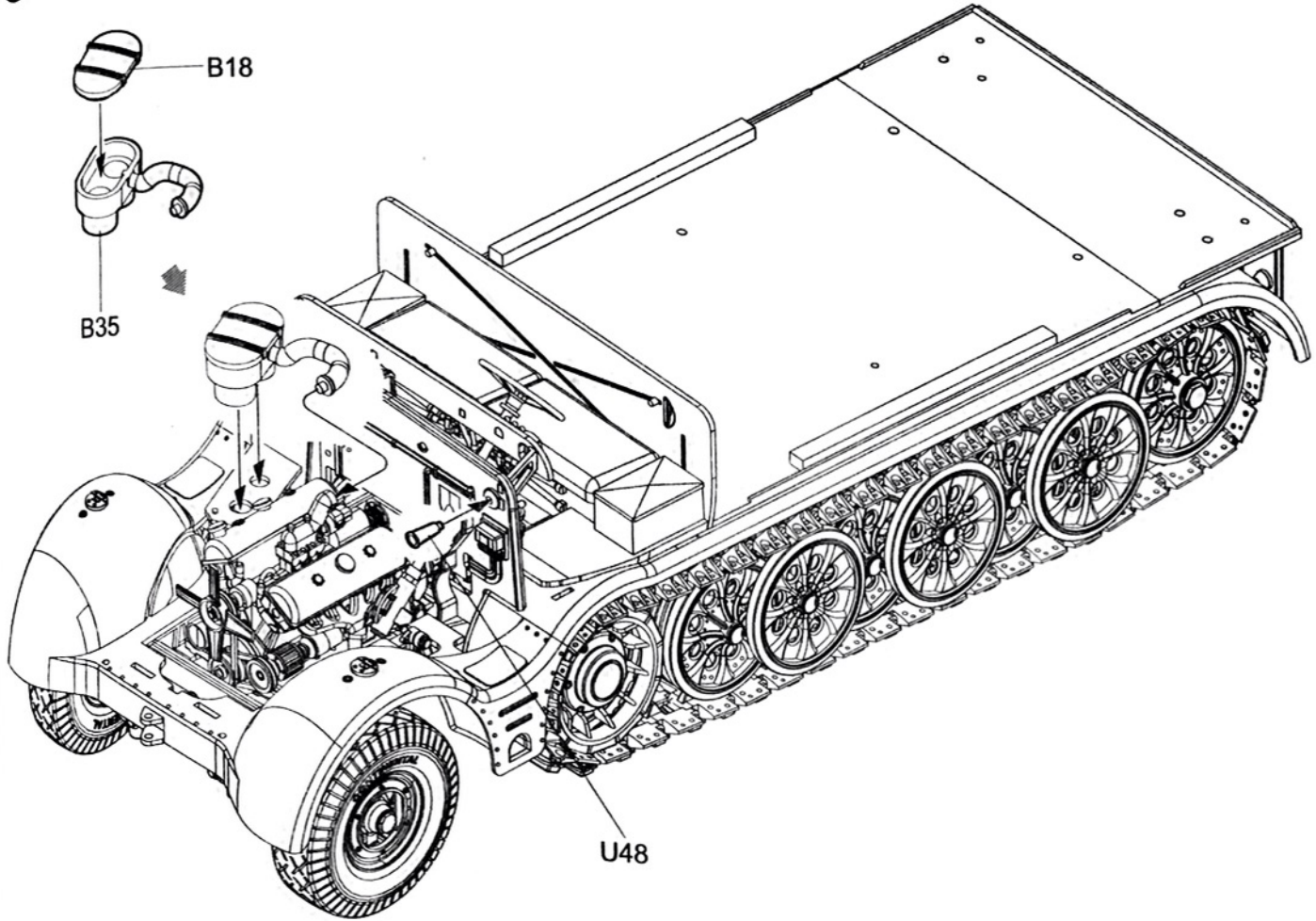
09576

22



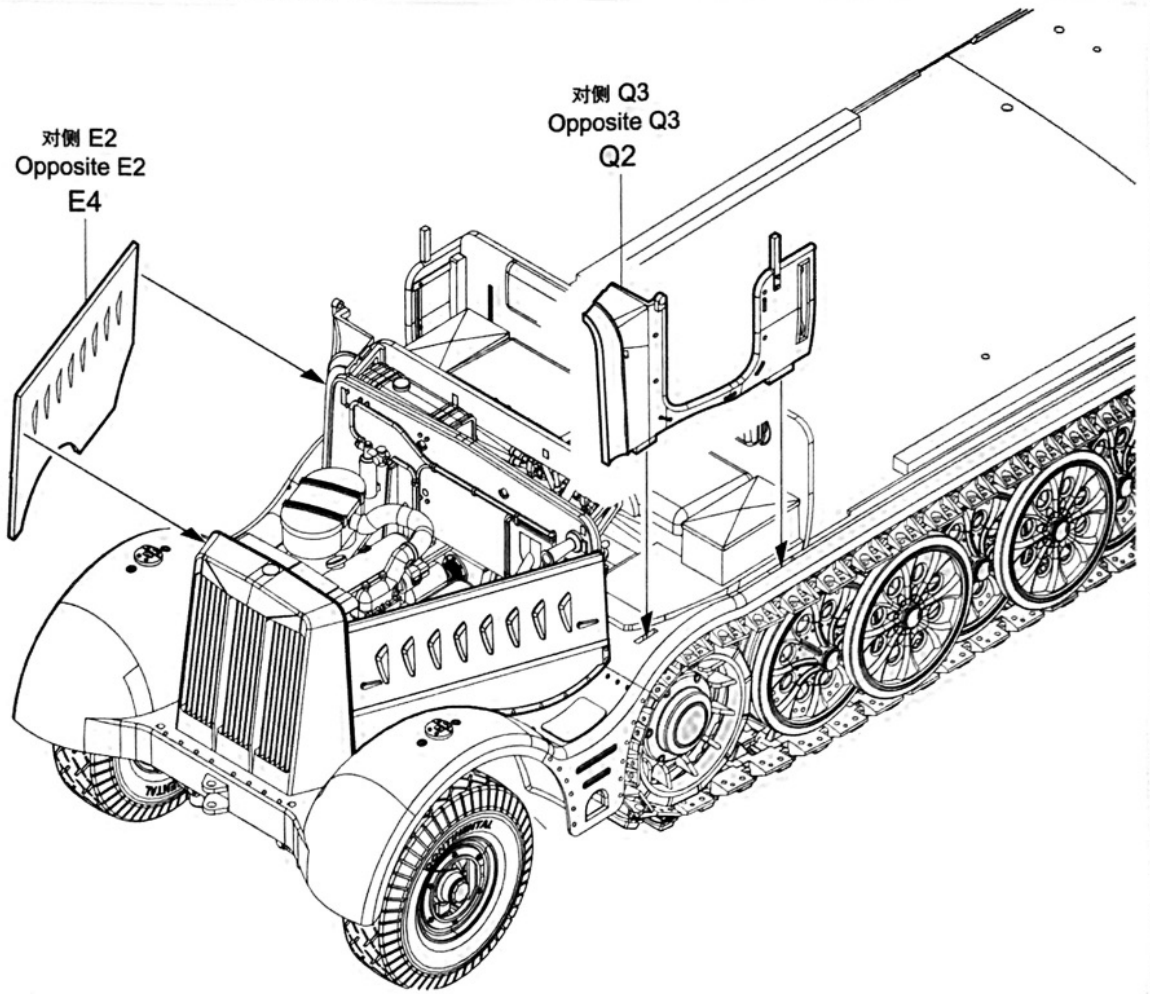
- 31 贴纸 Decal
- 28 贴纸 Decal
- 29 贴纸 Decal
- 30 贴纸 Decal





对侧 E2
Opposite E2
E4

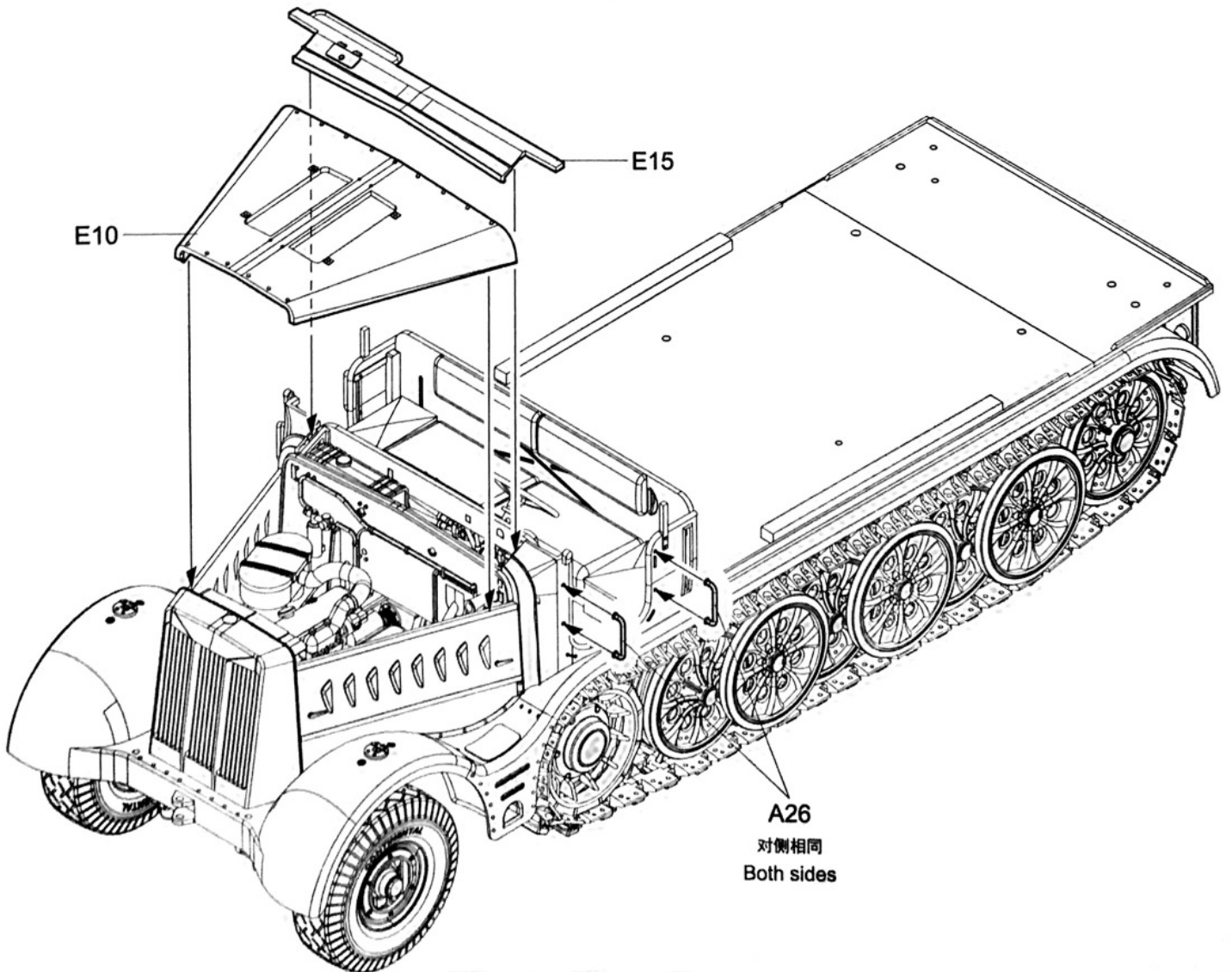
对侧 Q3
Opposite Q3
Q2

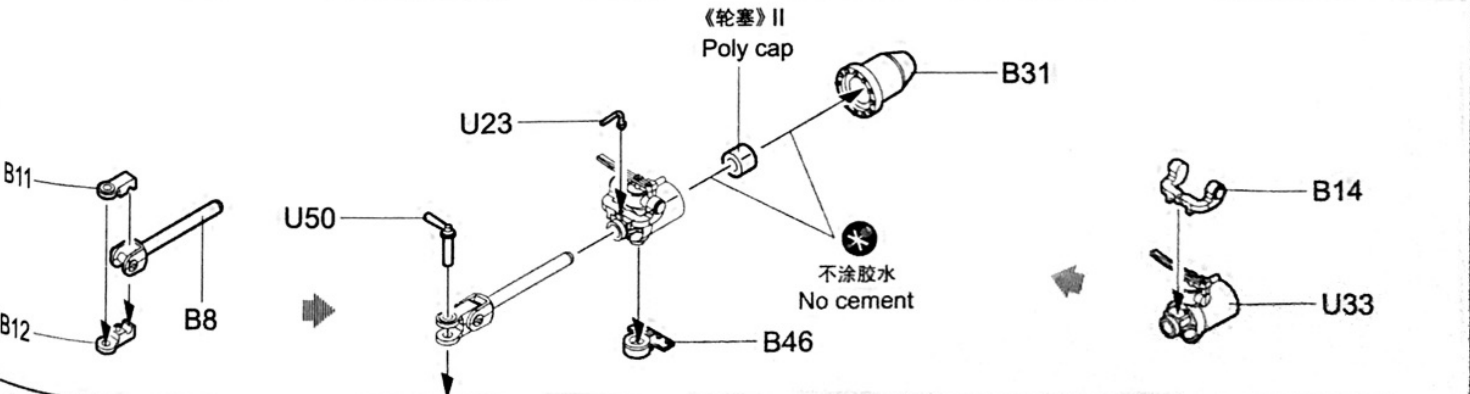
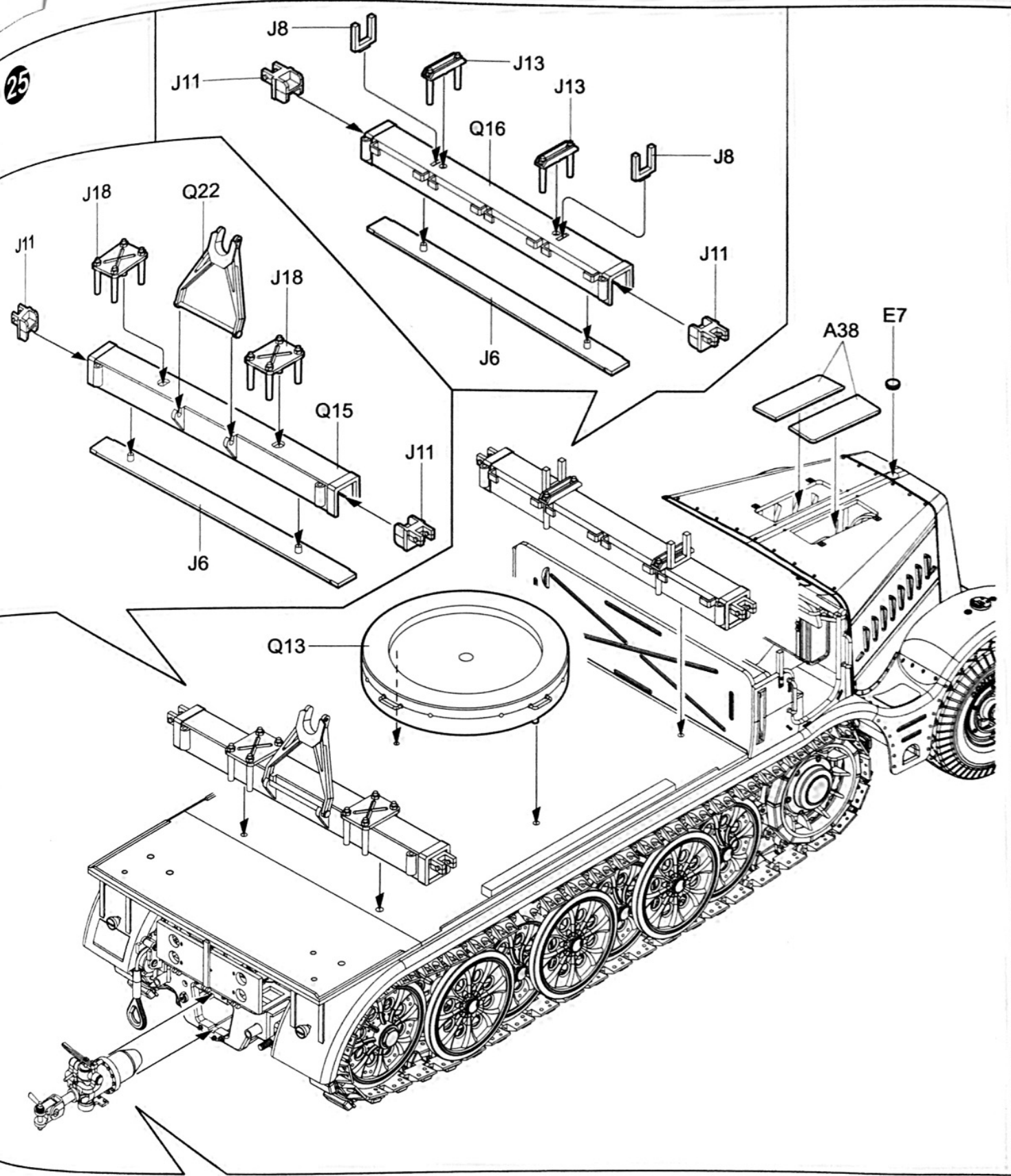


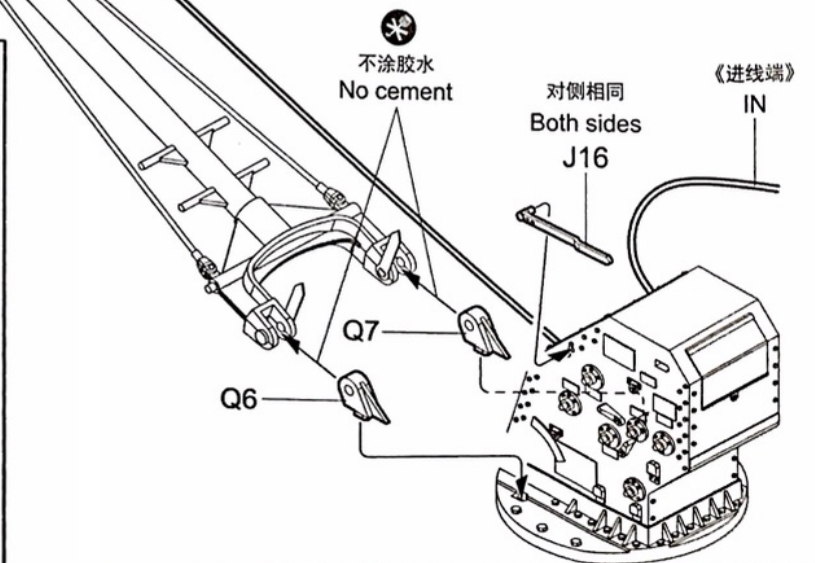
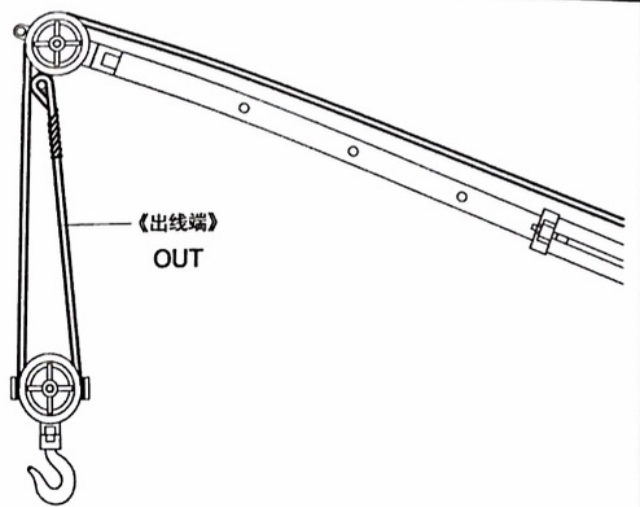
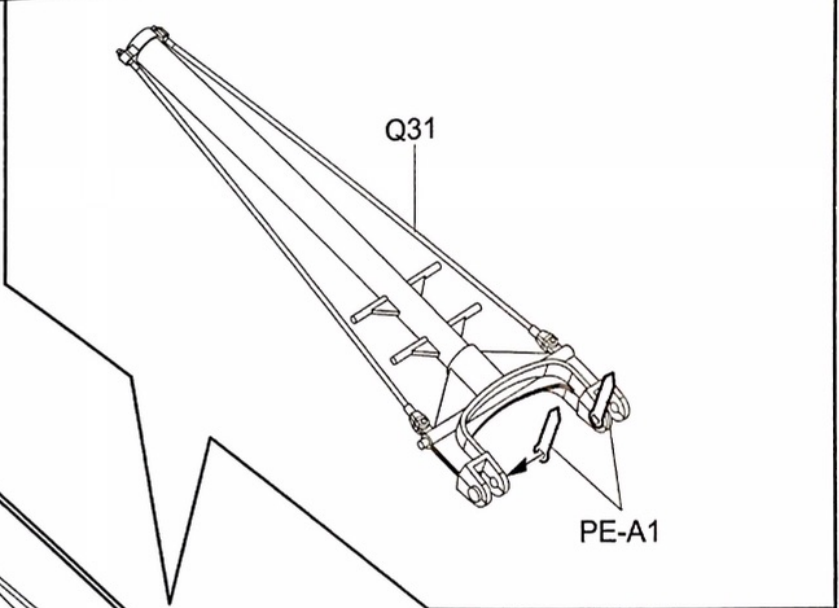
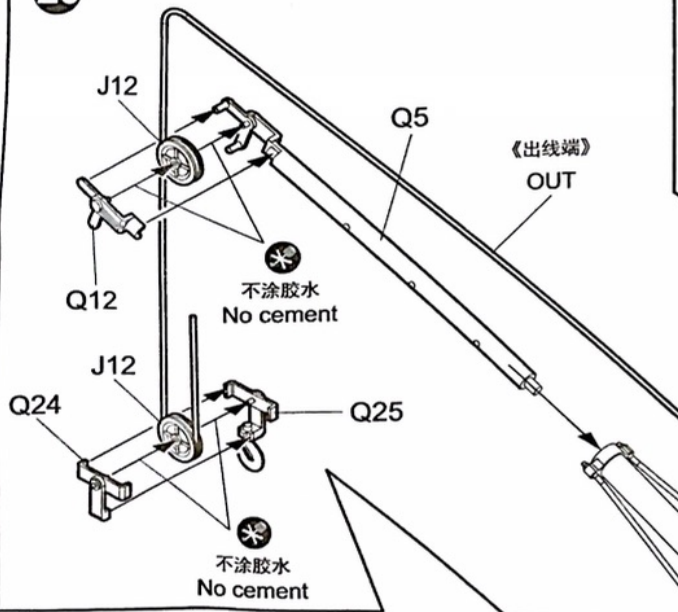
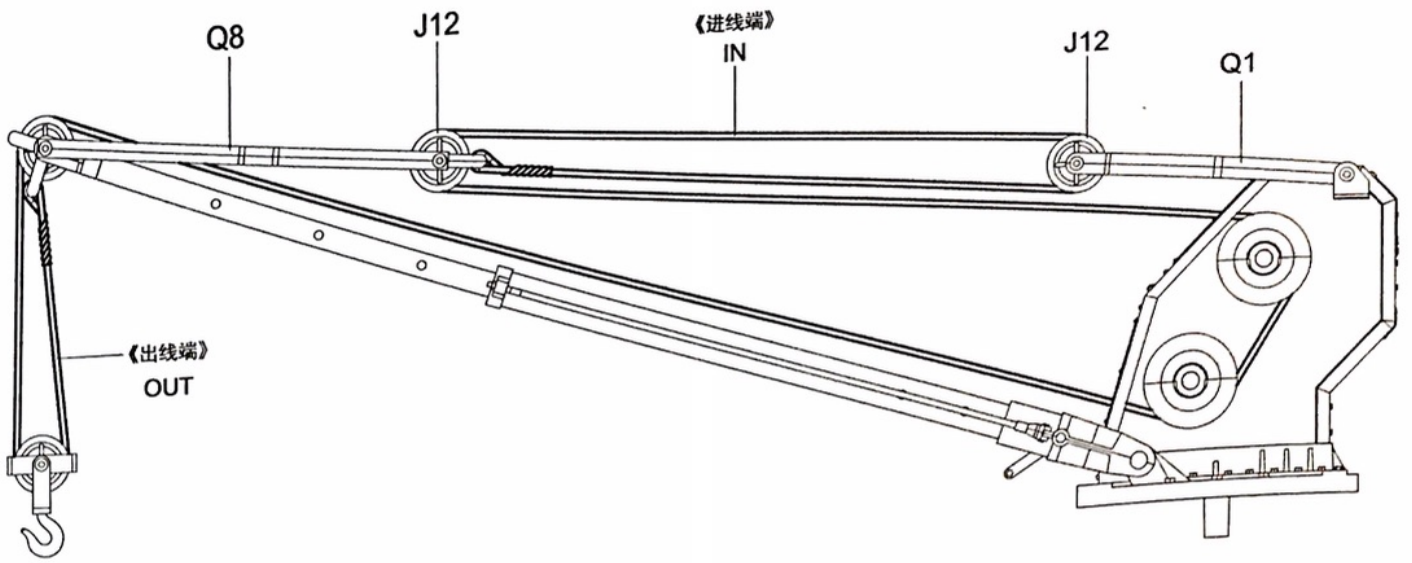
E10

E15

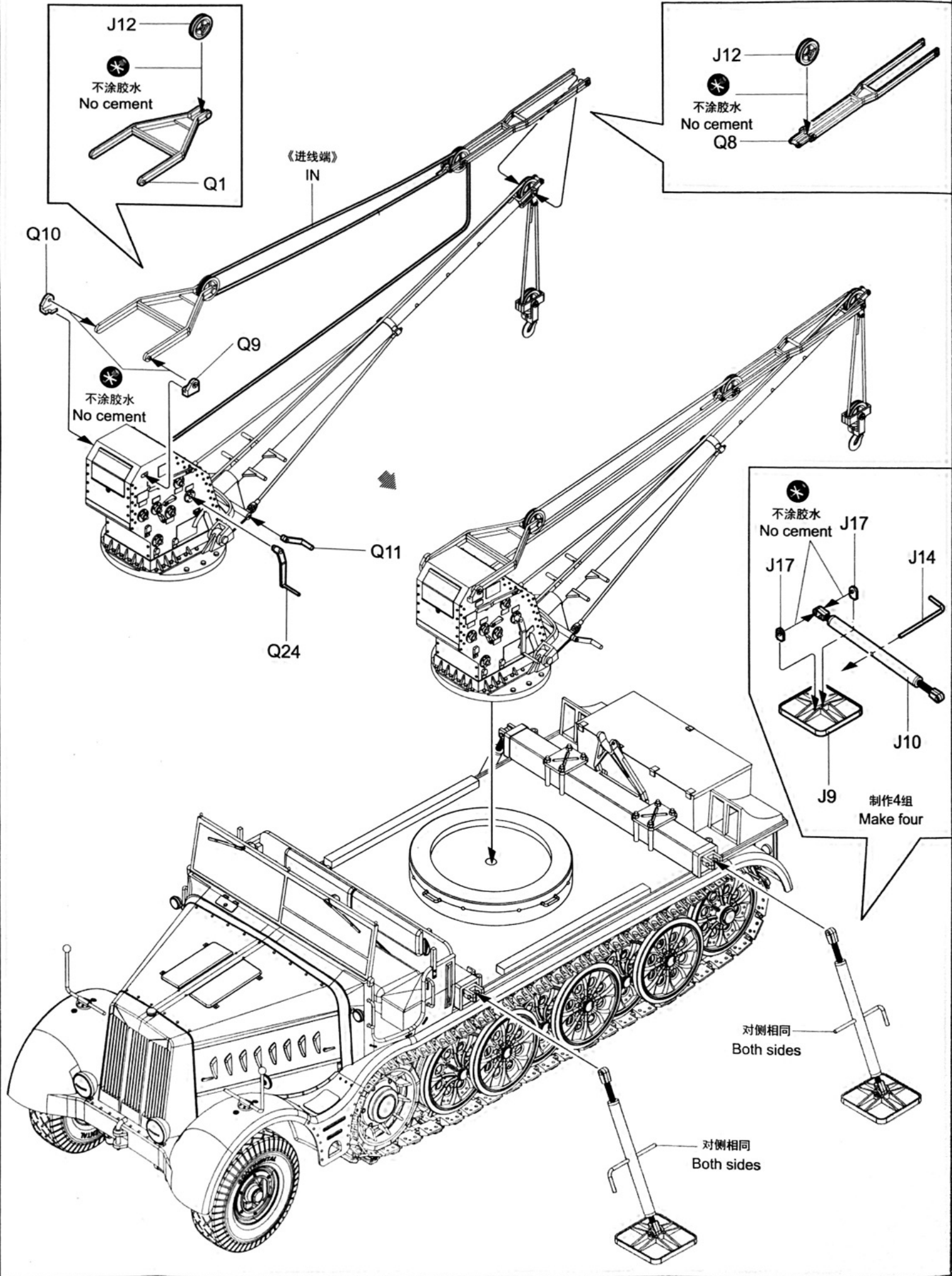
A26
对侧相同
Both sides







30



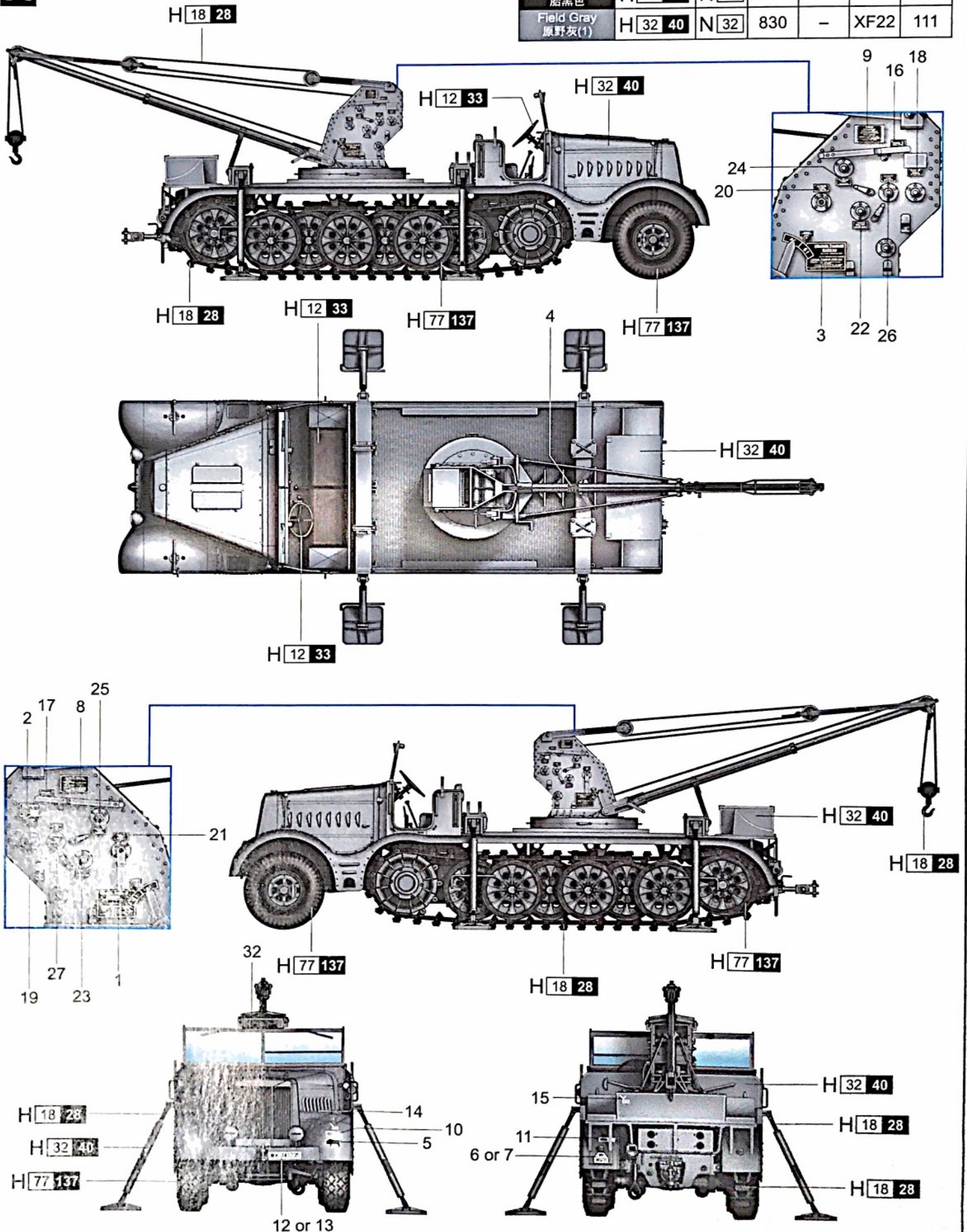
涂装同标贴指示

Painting & Marking guide

PAINT REFERENCE COLOR

Color	Mr.Hobby	Acrycion	Vallejo	Model Master	Tamiya	Humbrol
Flat Black 消光黑	H 12 33	N 12	950	1749	XF1	33
Steel 黑铁色	H 18 28	N 18	864	1402	XF84	-
Tire Black 胎黑色	H 77 137	N 77	-	-	XF85	-
Field Gray 原野灰(1)	H 32 40	N 32	830	-	XF22	111

A



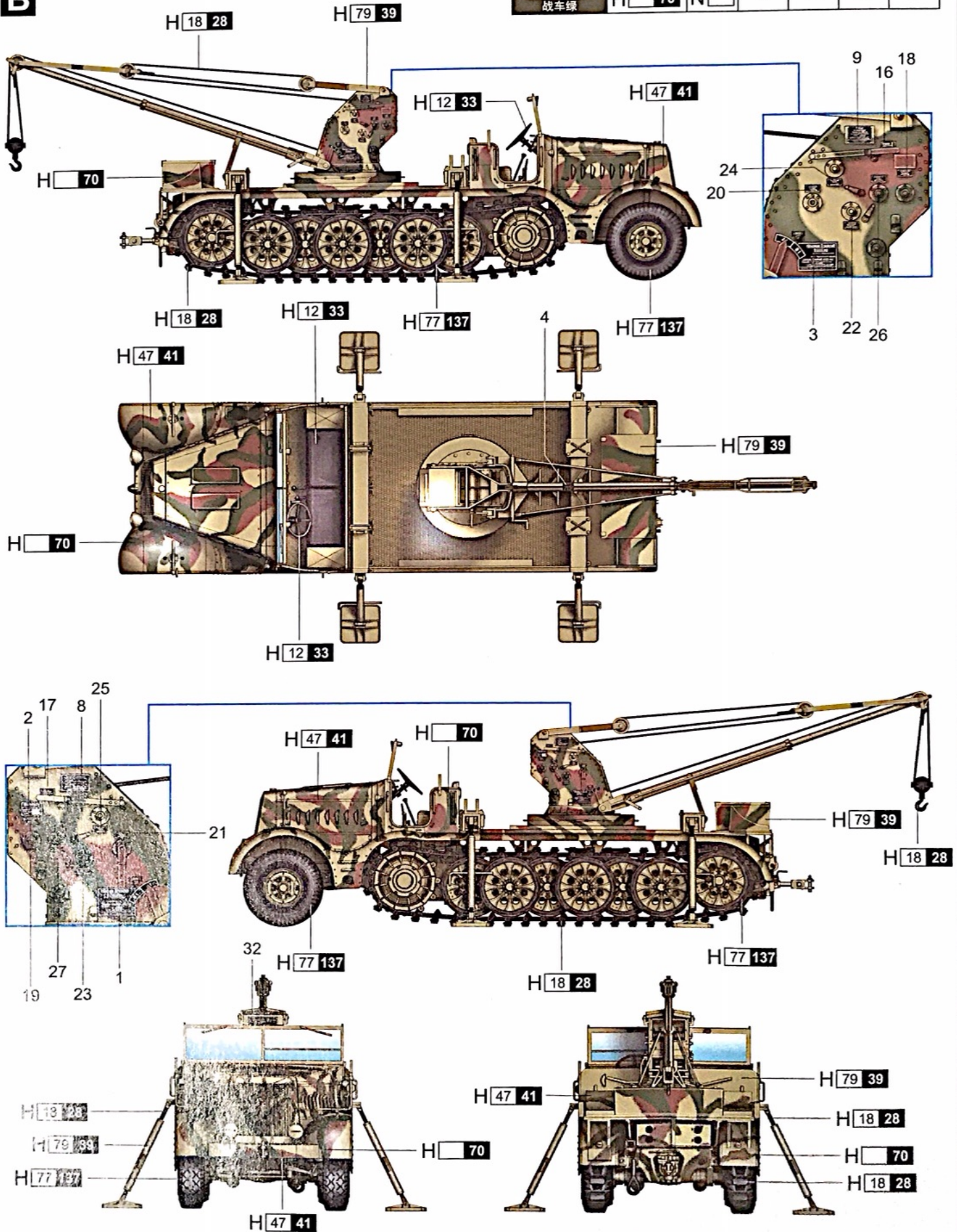
H AQUEOUS HOBBY COLOR ■ Mr. COLOR N ACRYSION COLOR

涂装同标贴指示 Painting & Marking guide

PAINT REFERENCE COLOR

Color	Mr.Hobby	Acrycion	Vallejo	Model Master	Tamiya	Humbrol
Sandy Yellow (Dark Yellow) 砂黄色	H 79 39	N 79	824	-	XF59	93
Red Brown 红棕色	H 47 41	N 47	984	-	XF64	160
Dark Green 战车绿	H 70	N	-	-	-	-

B



H □ AQUEOUS HOBBY COLOR X □ Mr. COLOR N □ ACRYCION COLOR