



RAF Spitfire Mk.IXc

1/32 scale

Pacific Coast Models, Inc.

613 Martin Ave., Bldg. 106
Rohnert Park, CA, USA 94928-2000
e-mail: info@pacmodels.com
www.pacmodels.com

The Spitfire MK.IXc came into being because of an urgent need to combat the FW-190A and the newer versions of the Me.109. The MK.V was outclassed. The Merlin 60 series engine was mated to the VC airframe and the most heavily produced Spitfire was born. Over 5000 were produced with almost 1200 being exported to the Soviet Union.

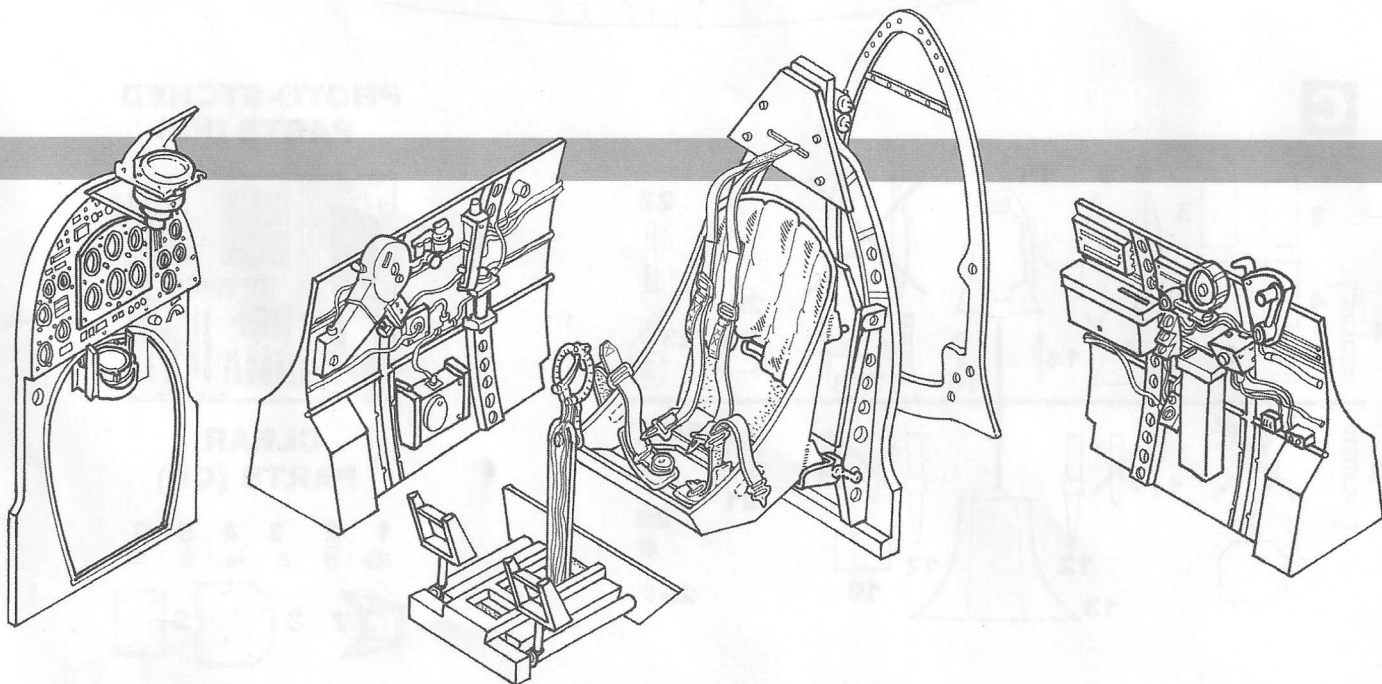
Early versions came with the full "C" wing (as does this kit) which included 2 x 20mm cannons and 4 x .303 machine guns. The Spitfire was Great Britain's most popular fighter produced and is certainly among the top 3 most popular fighters of WWII.

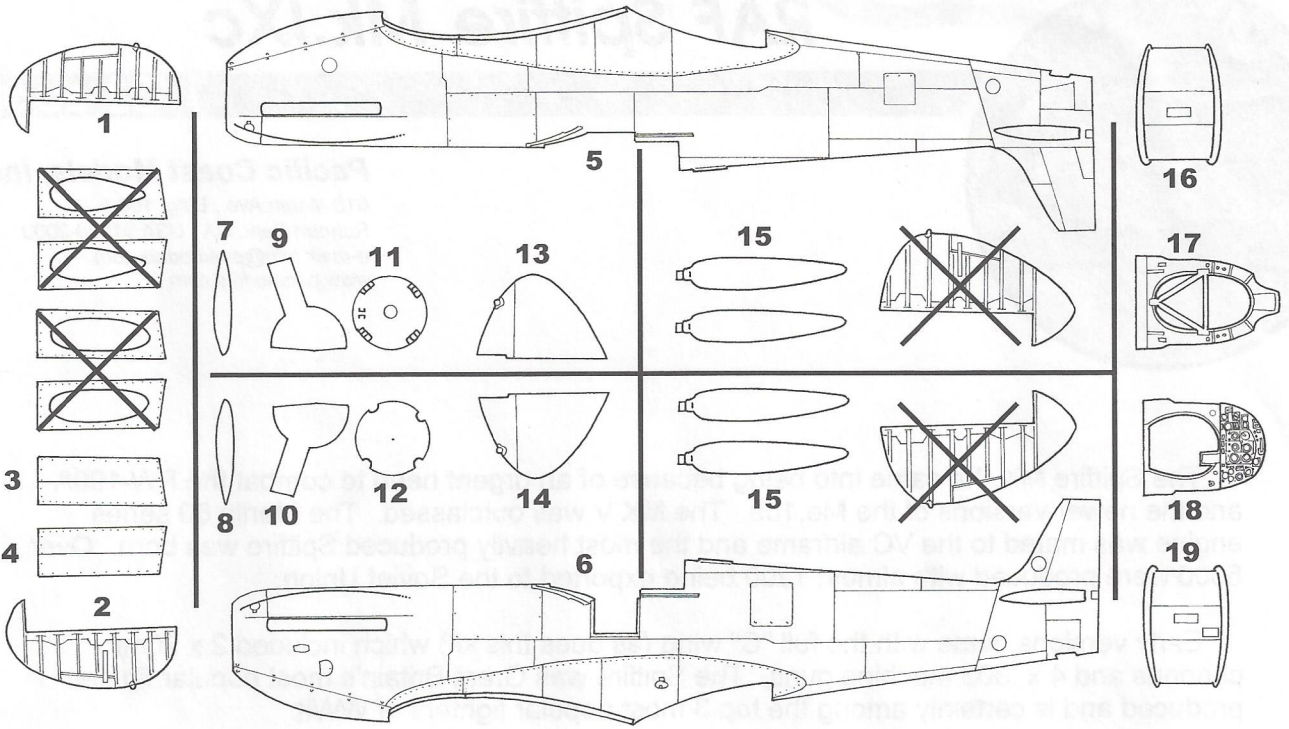
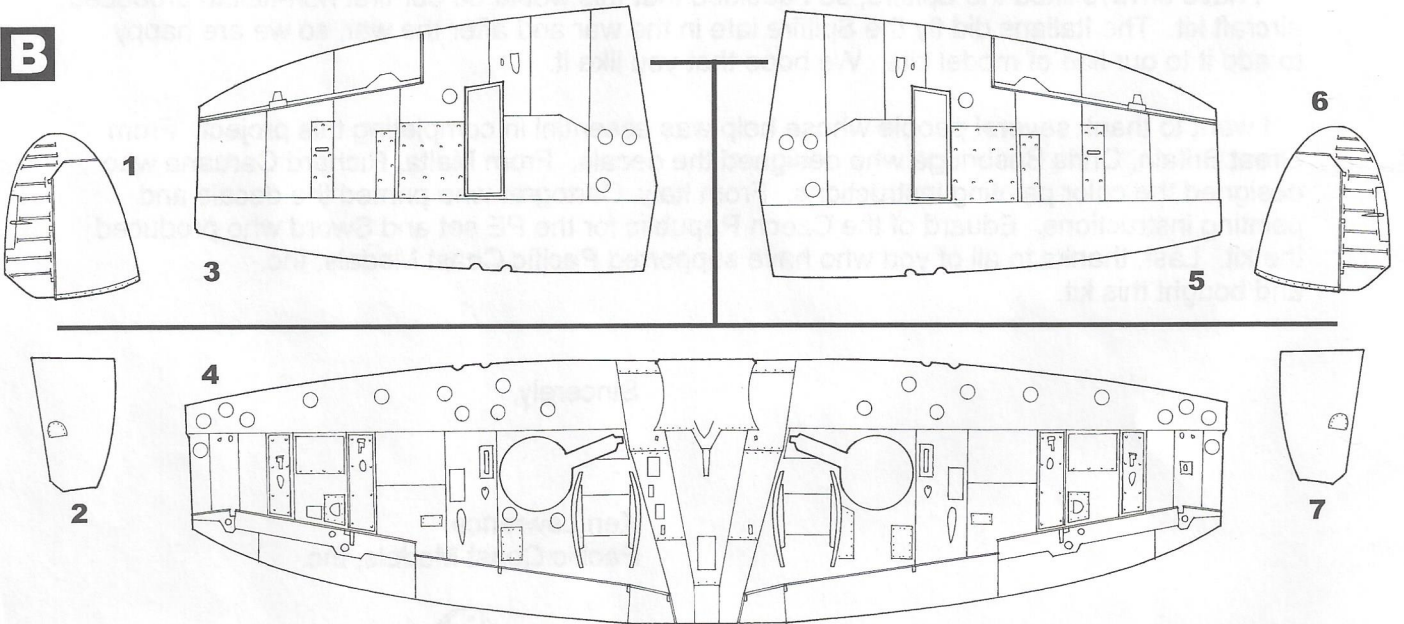
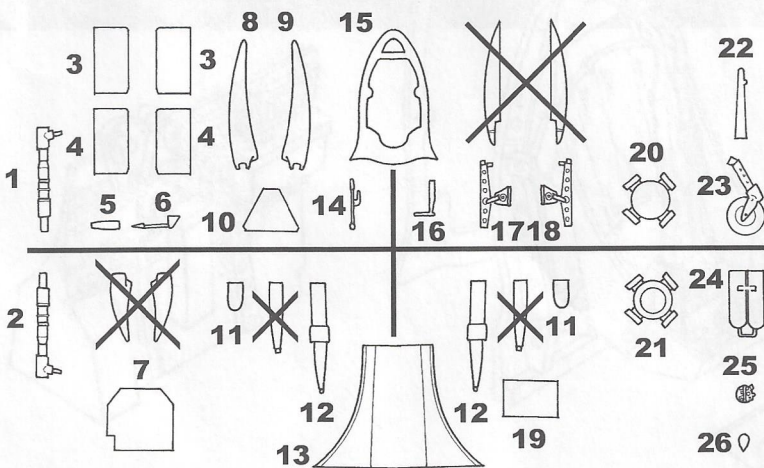
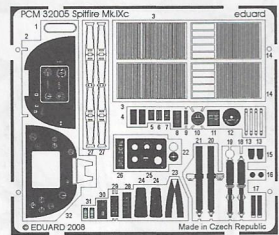
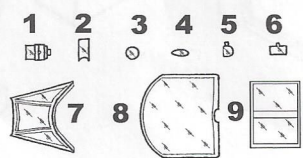
I have always liked the Spitfire, so I decided that this would be our first non-Italian produced aircraft kit. The Italians did fly the Spitfire late in the war and after the war, so we are happy to add it to our line of model kits. We hope that you like it.

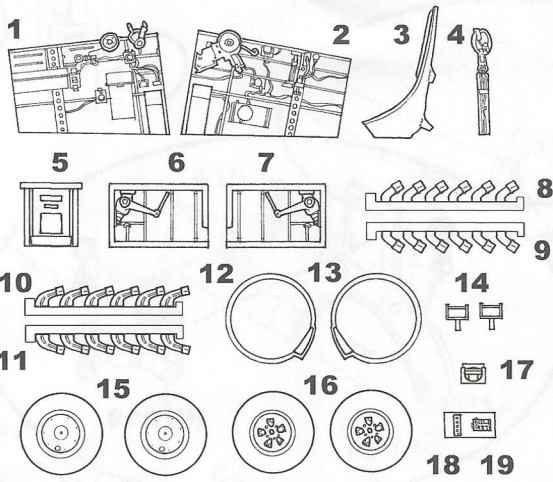
I want to thank several people whose help was essential in completing this project. From Great Britain, Chris Busbridge who designed the decals. From Malta, Richard Caruana who designed the color painting instructions. From Italy, Cartograf who printed the decals and painting instructions. Eduard of the Czech Republic for the PE set and Sword who produced the kit. Last, thanks to all of you who have supported Pacific Coast Models, Inc. and bought this kit.

Sincerely,

Ken Lawrence
Pacific Coast Models, Inc.

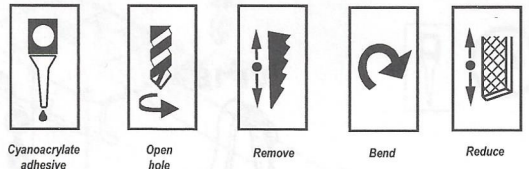


A**B****C****PHOTO-ETCHED PARTS (PP)****CLEAR PARTS (CP)**



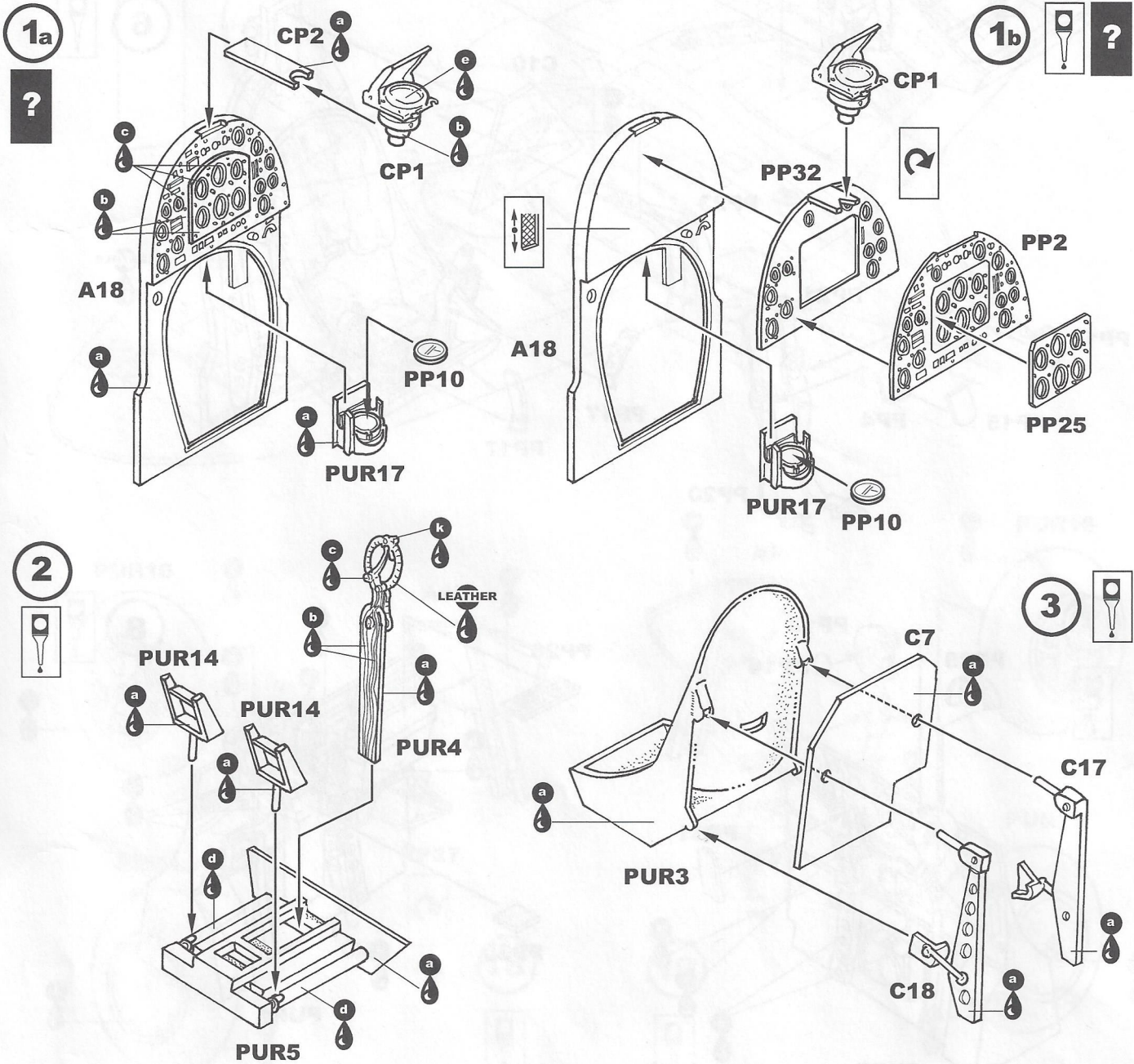
POLYURETHAN PARTS (PUR)

LEGEND

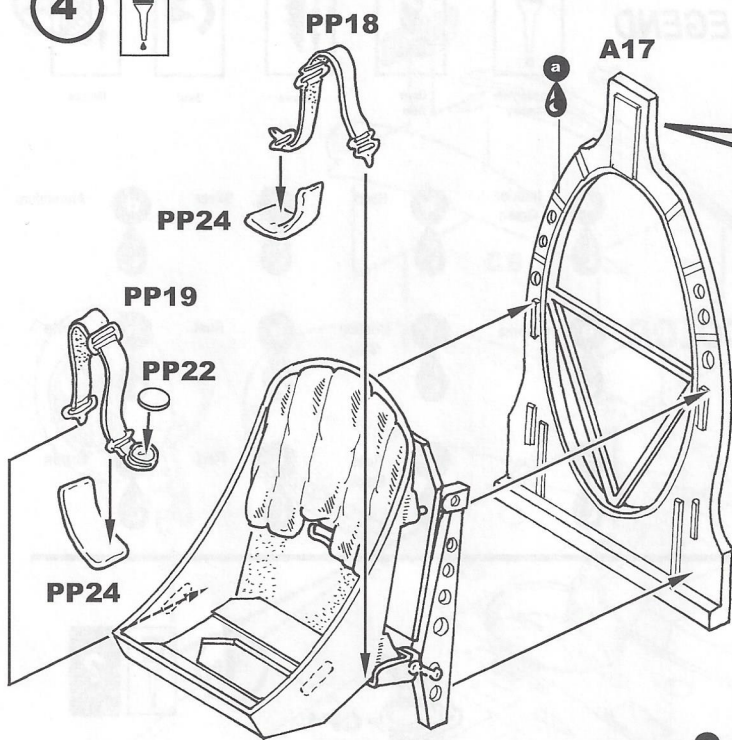


COLOR

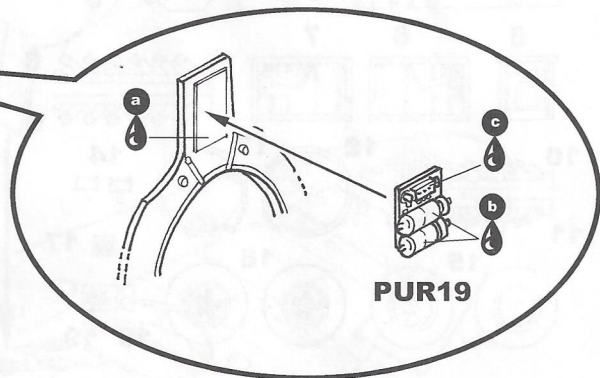
a Interior Green	b Black	c Silver	d Aluminium
e Chrome	f Medium Grey	g Rust	h White
i Gun metal	j Tyres Black	k Red	l Green



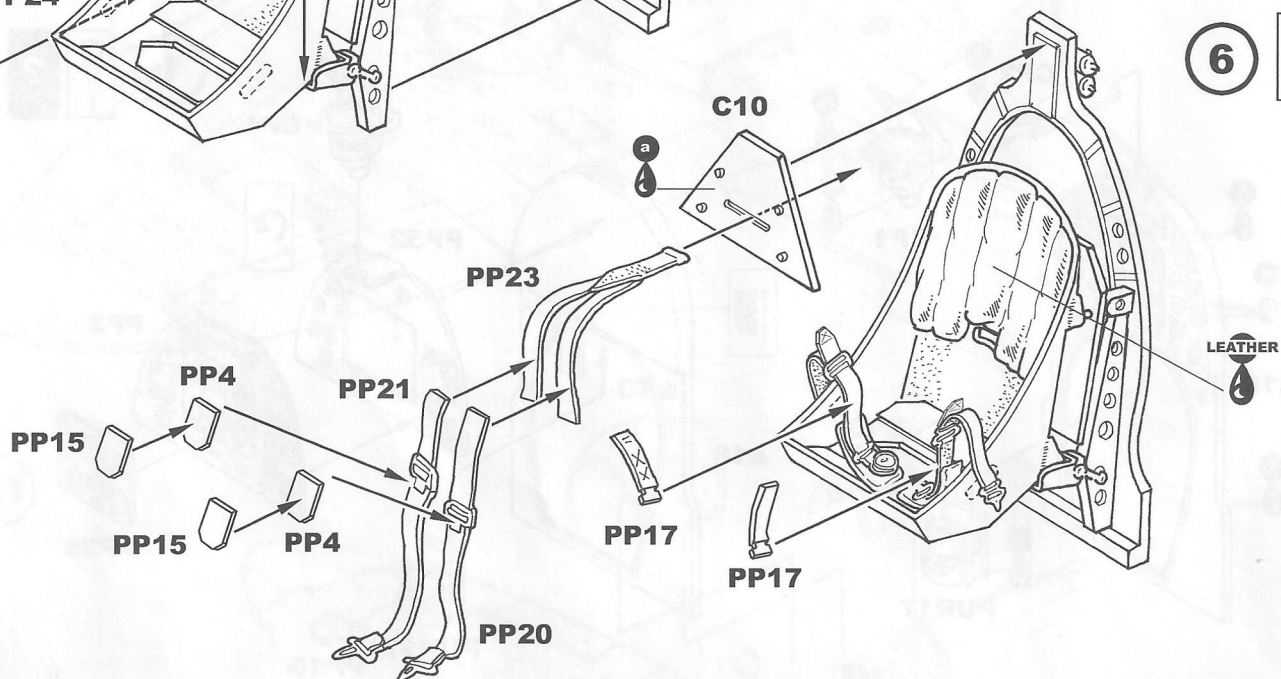
4



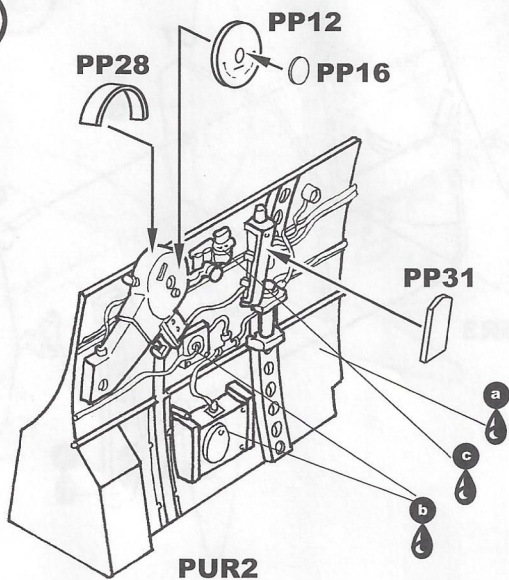
5



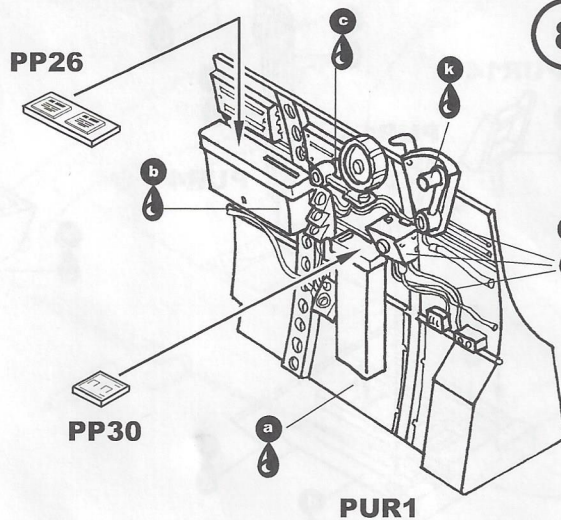
6



7



8



9

PUR10

?

PUR8

PP7

PP6

PP18

PP9

C25

A5

C15

10

A6

PP8

PP5

PUR11

?

PUR9

d
L
a
L

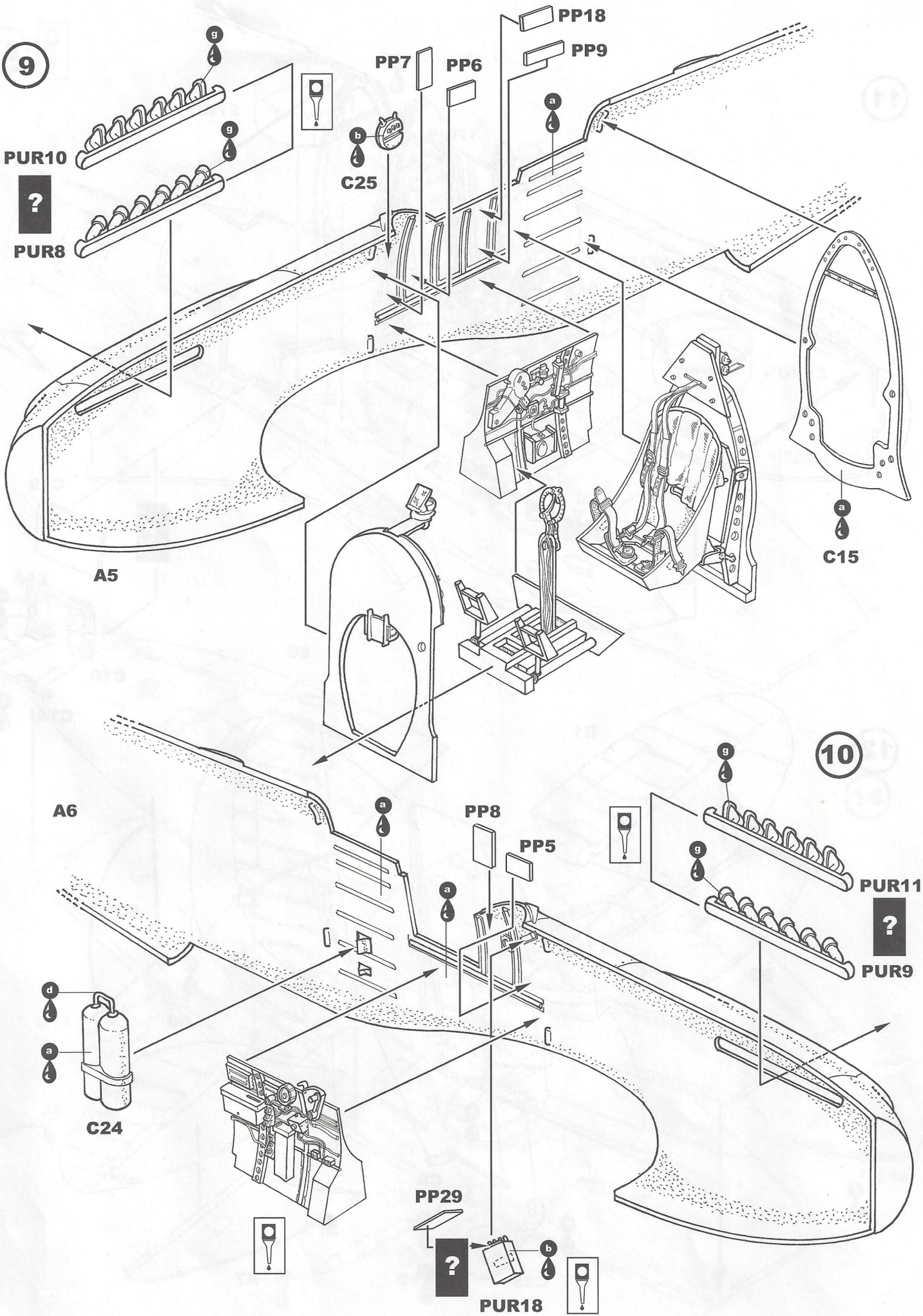
C24

PP29

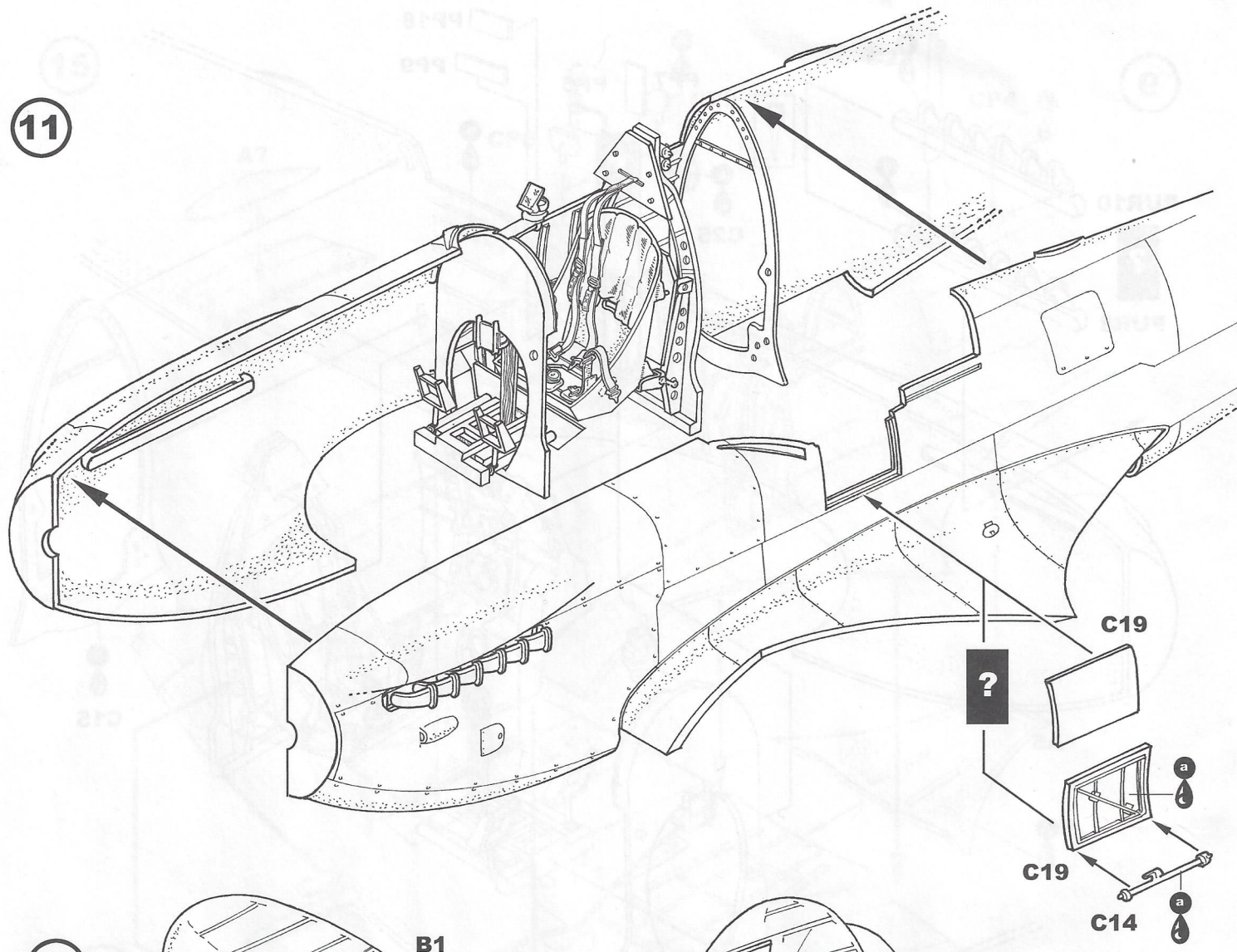
?

PUR18

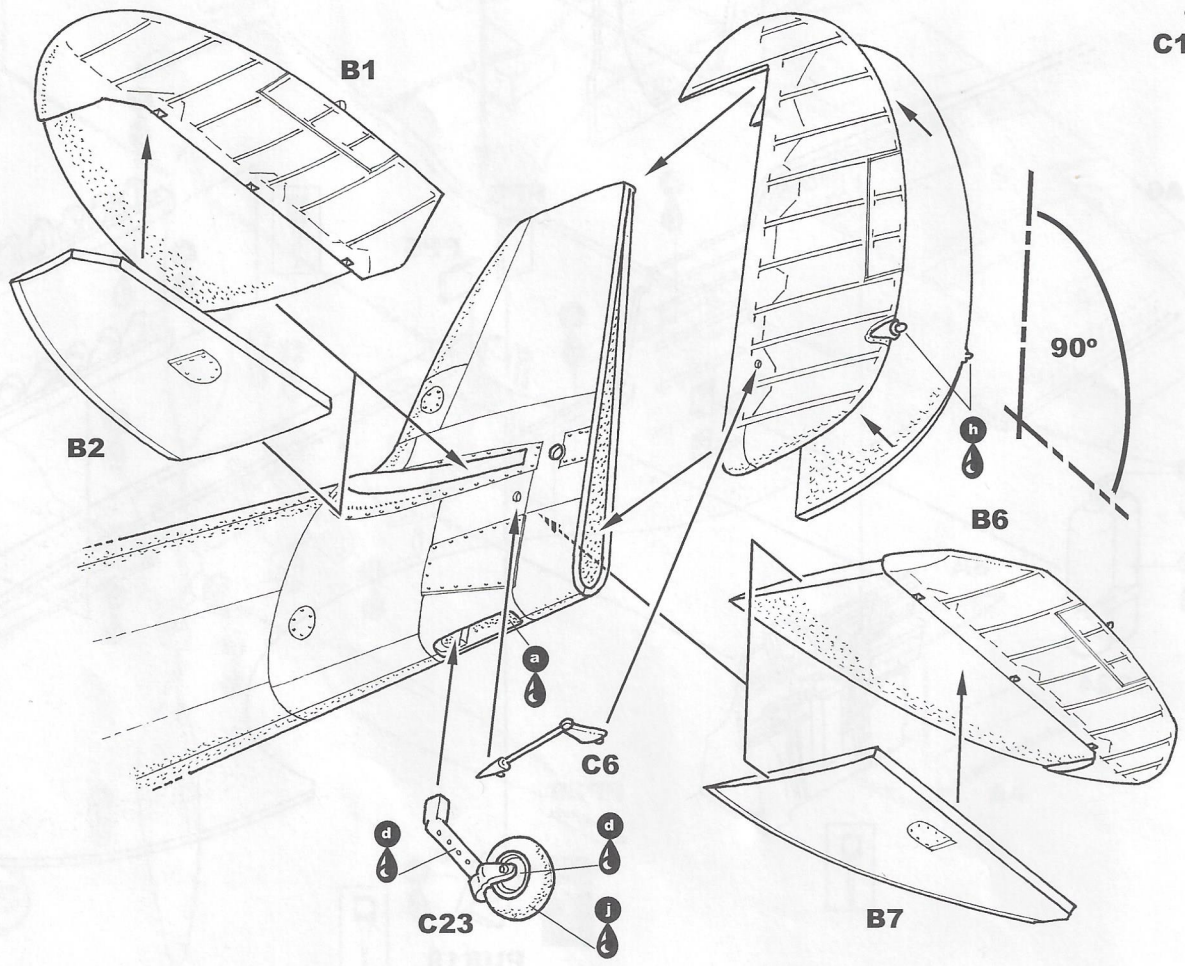
b
L



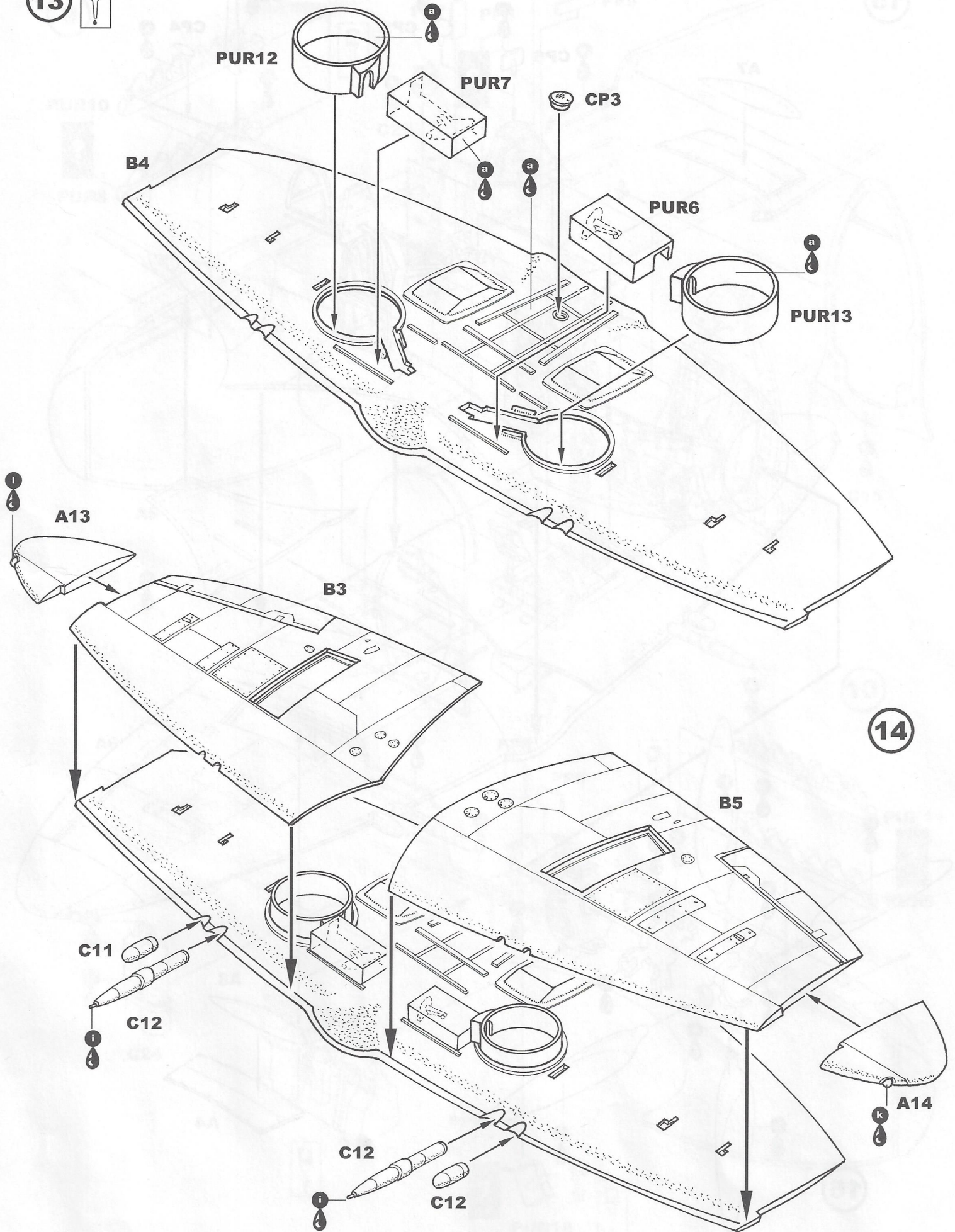
11



12

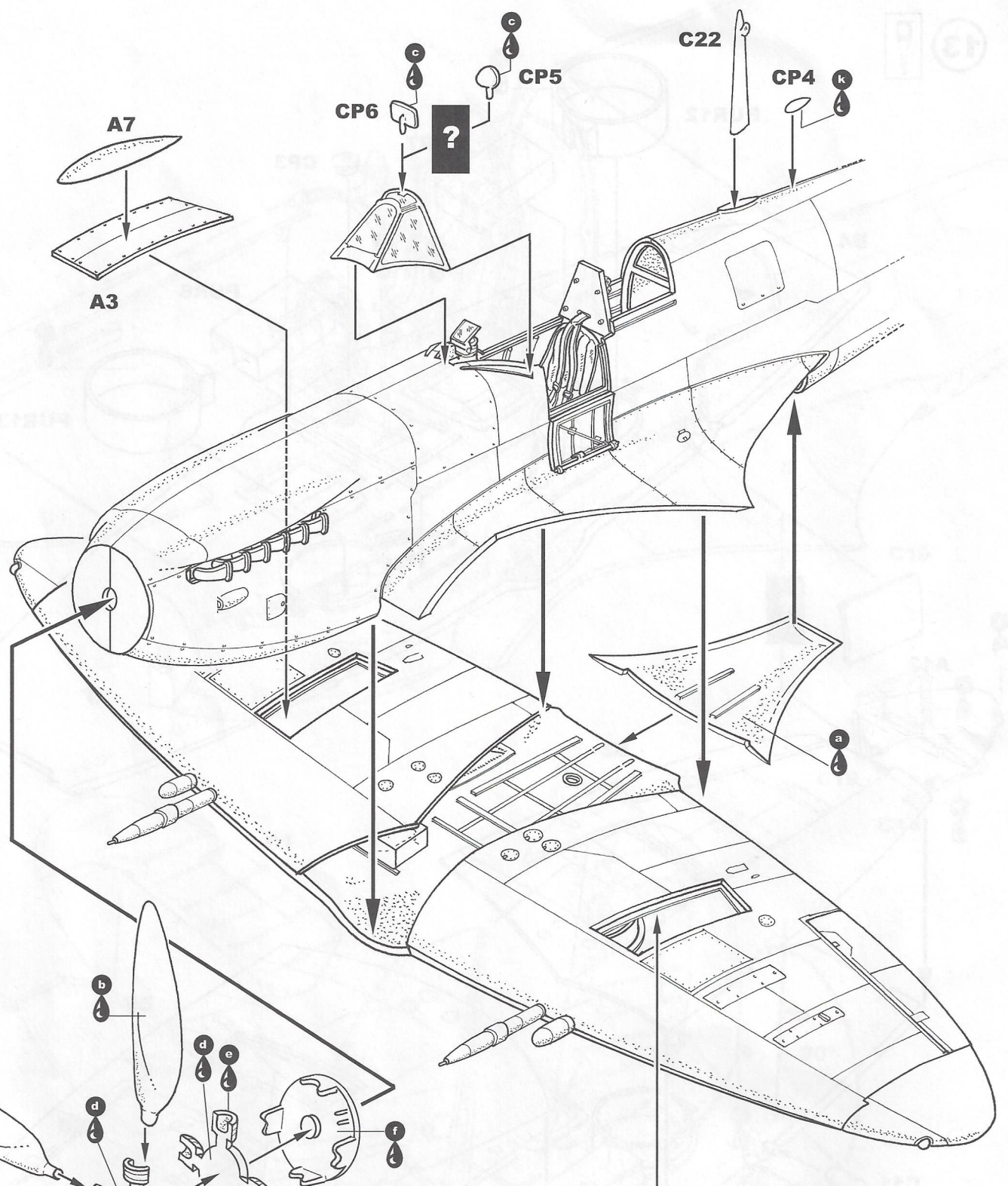


13

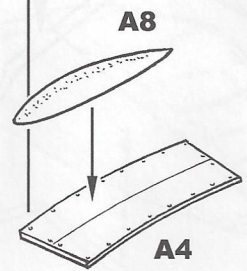
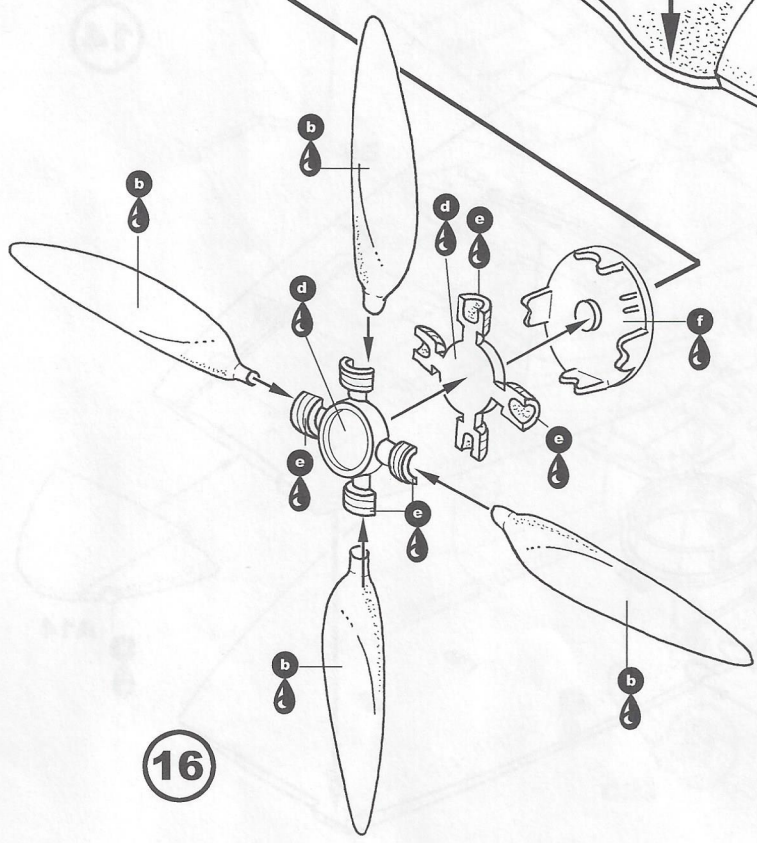


14

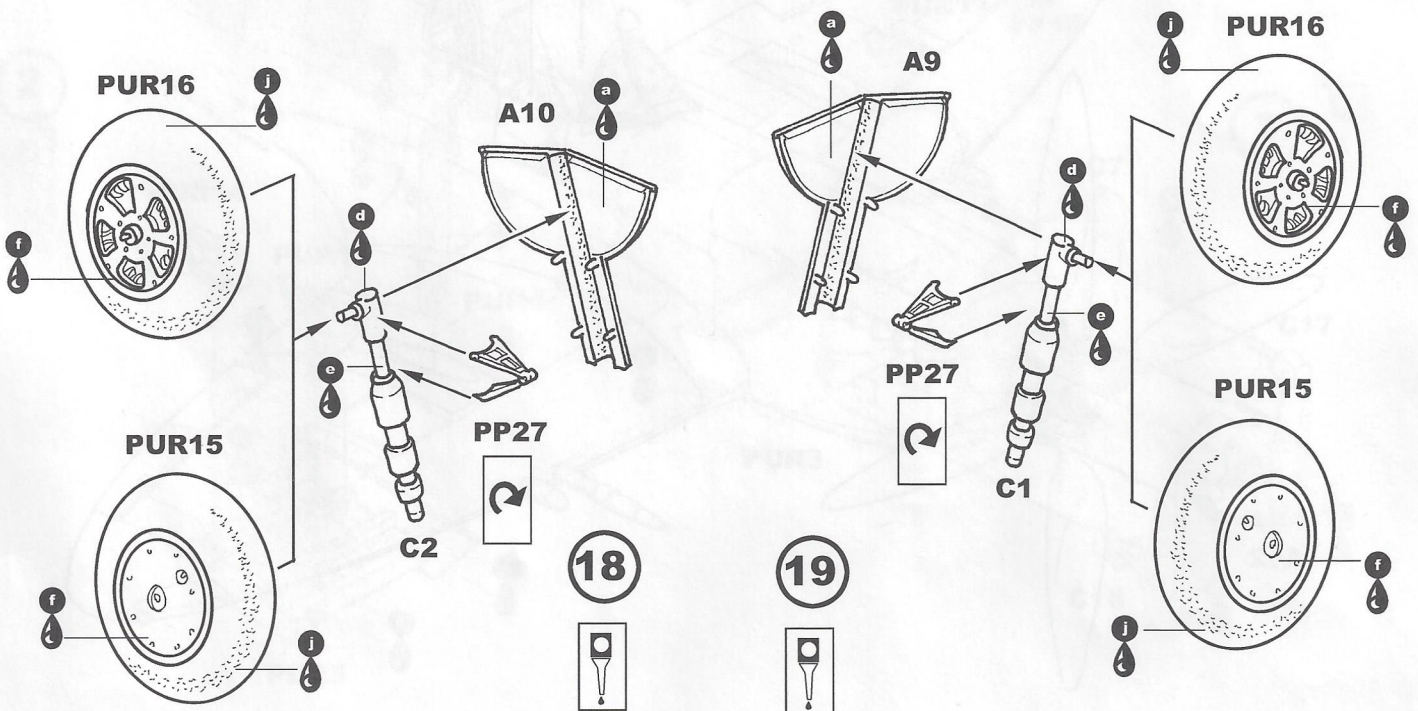
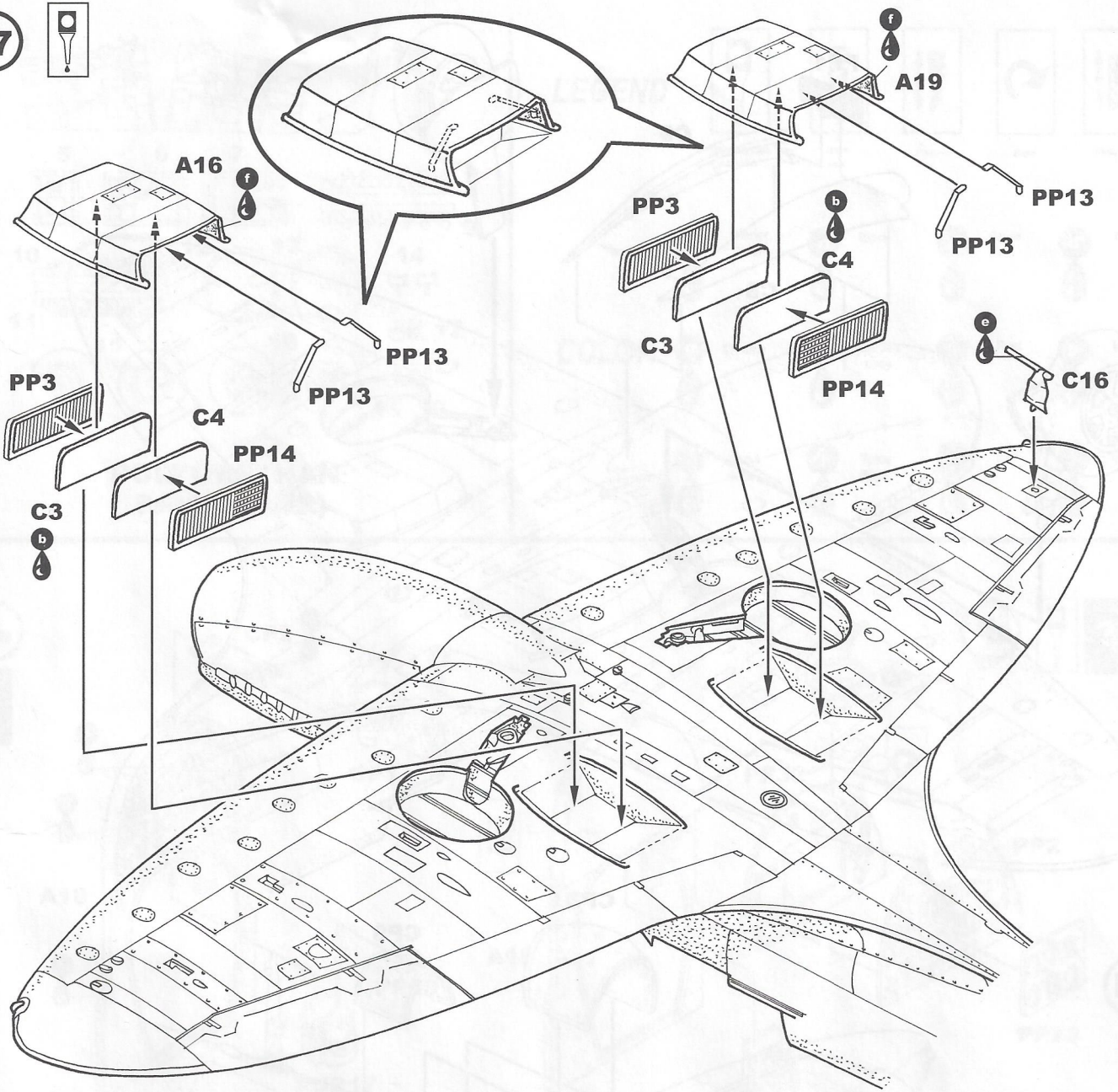
15



16



17



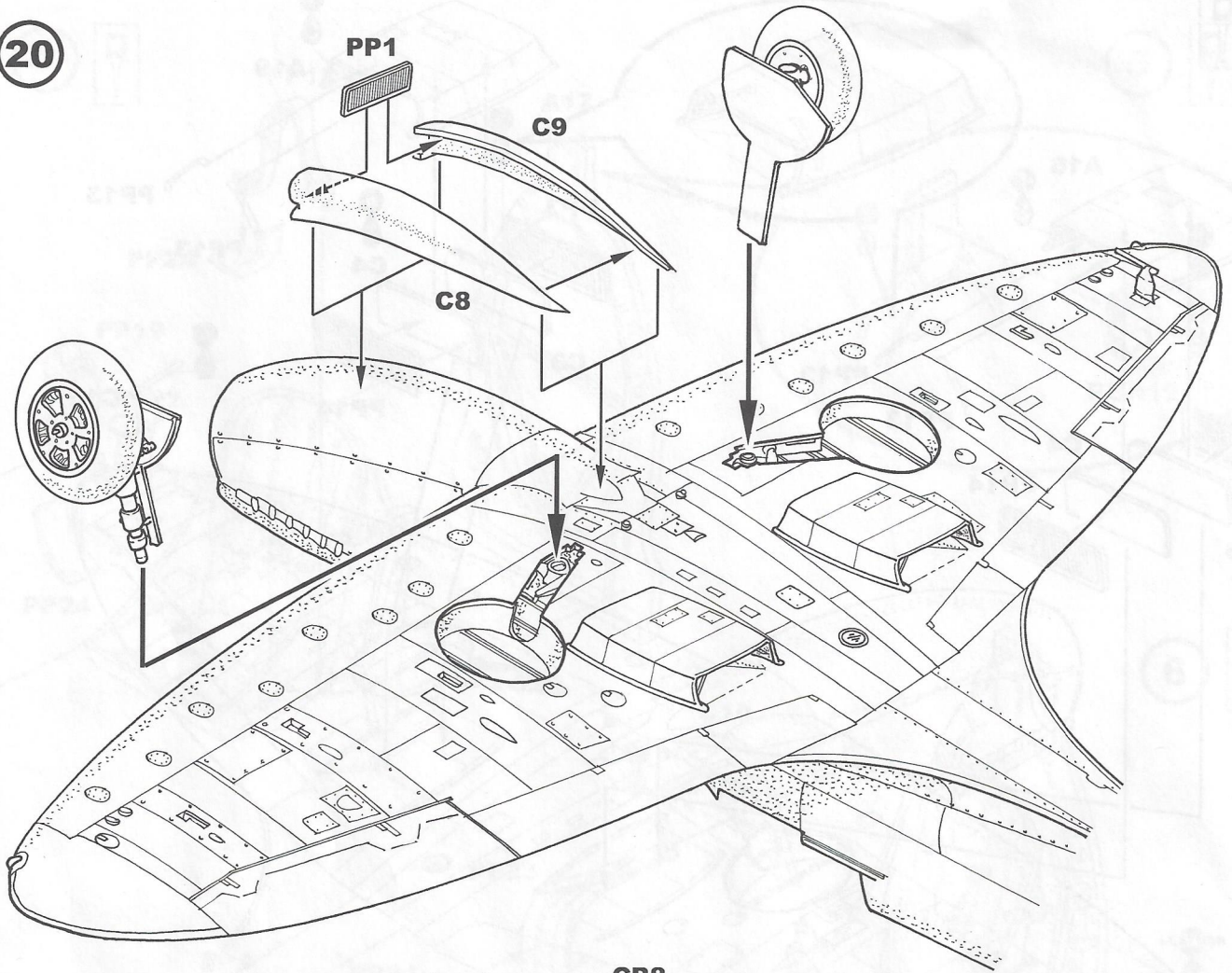
18



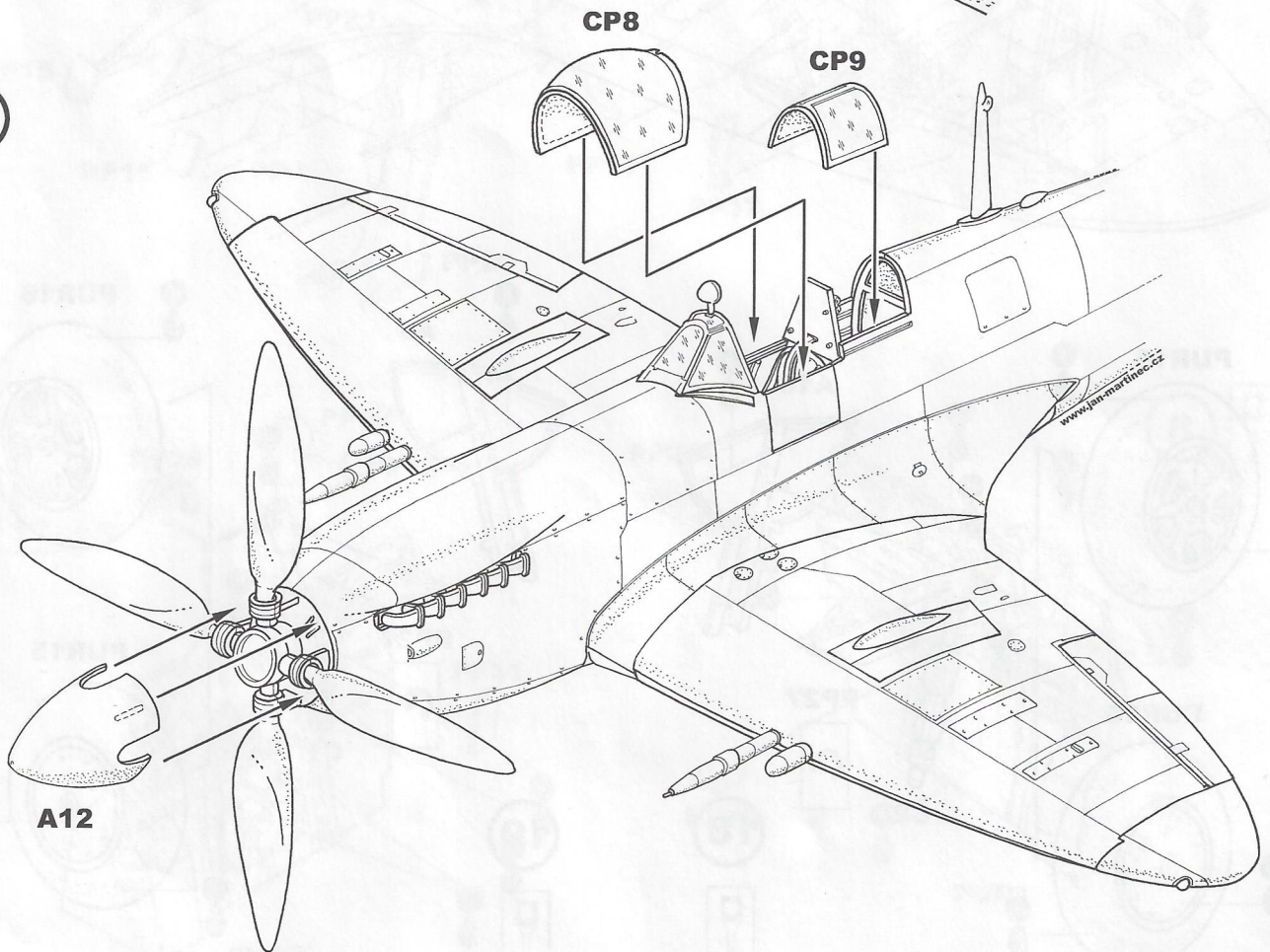
19

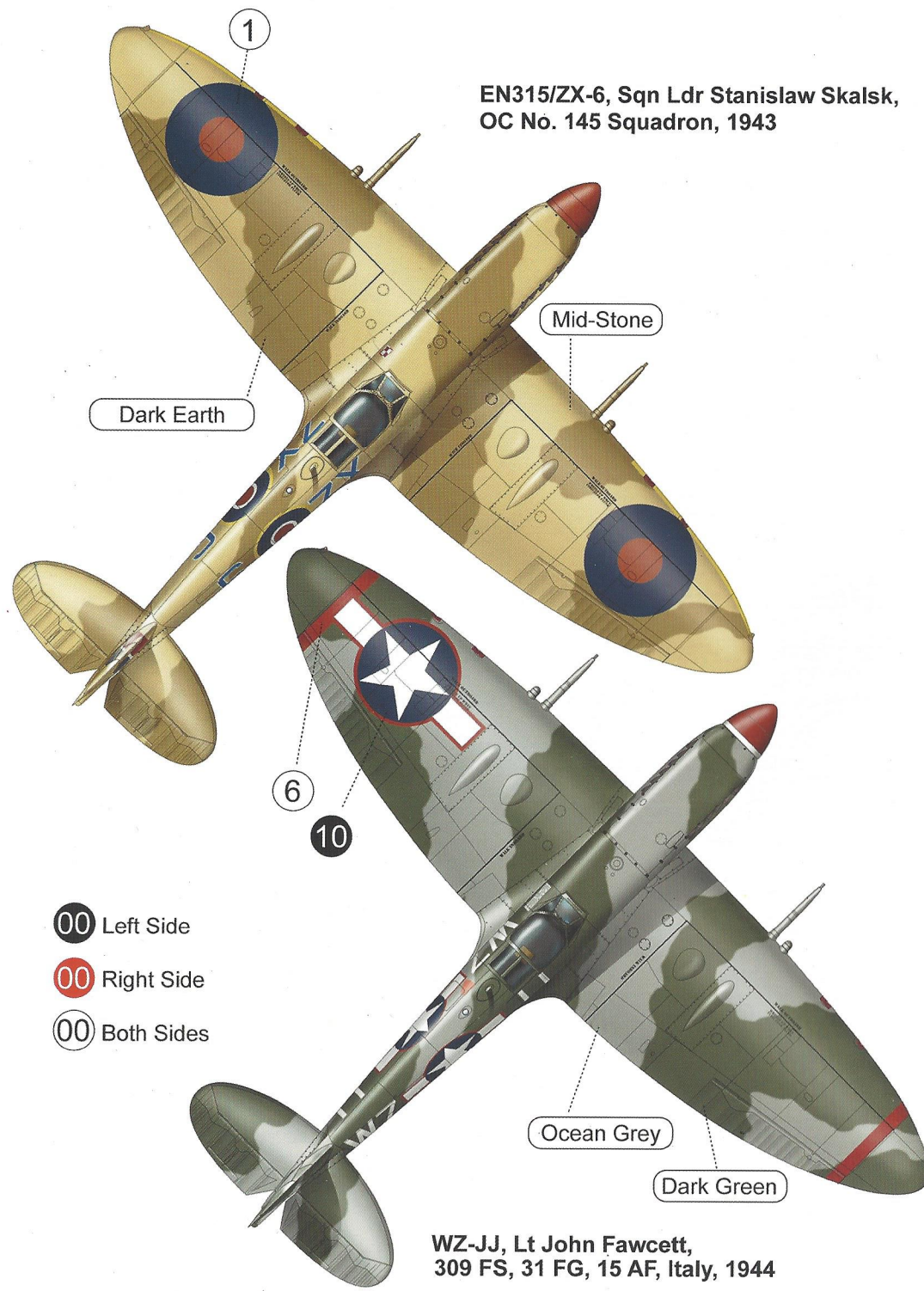


20



21





EN315/ZX-6, Sqn Ldr Stanislaw Skalsk,
OC No. 145 Squadron, 1943

1
Dark Earth
Mid-Stone

- 00 Left Side
- 00 Right Side
- 00 Both Sides

WZ-JJ, Lt John Fawcett,
309 FS, 31 FG, 15 AF, Italy, 1944

6
10
Ocean Grey
Dark Green

PACIFIC COAST MODELS, INC.

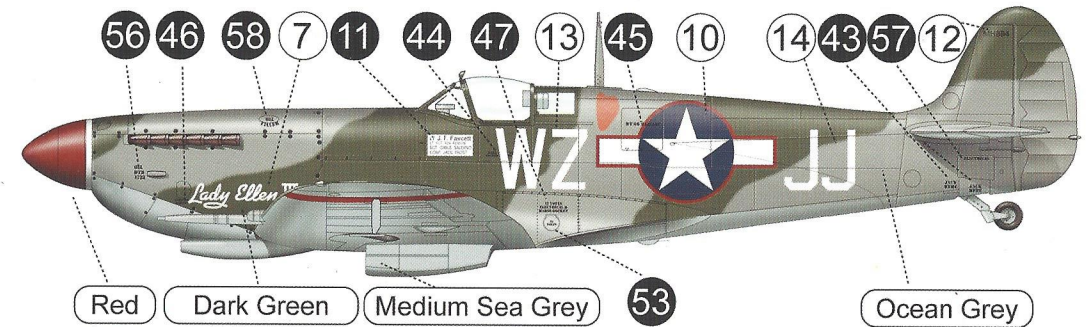
SPITFIRE Mk.IX

1/32



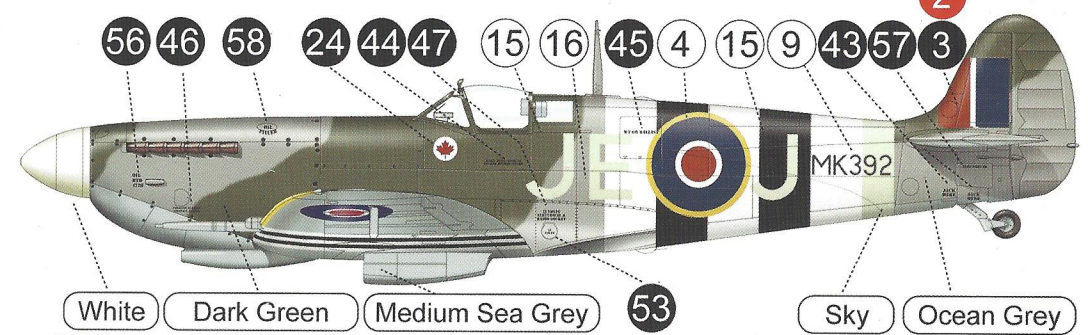
Illustrations by Richard J. Caruana

WZ-JJ, Lt John Fawcett, 309 FS, 31 FG, 15 AF, Italy, 1944



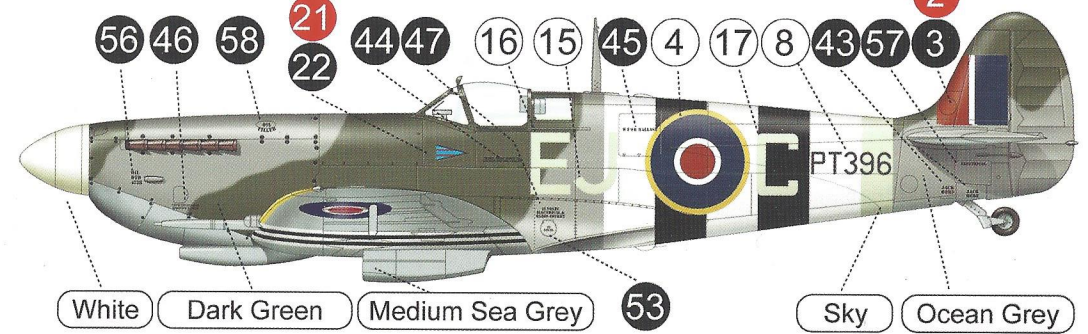
Red Dark Green Medium Sea Grey 53 Ocean Grey

MK392/JE-J, Wg Cdr 'Johnnie' Johnson, OC Kenley Wing, 1944



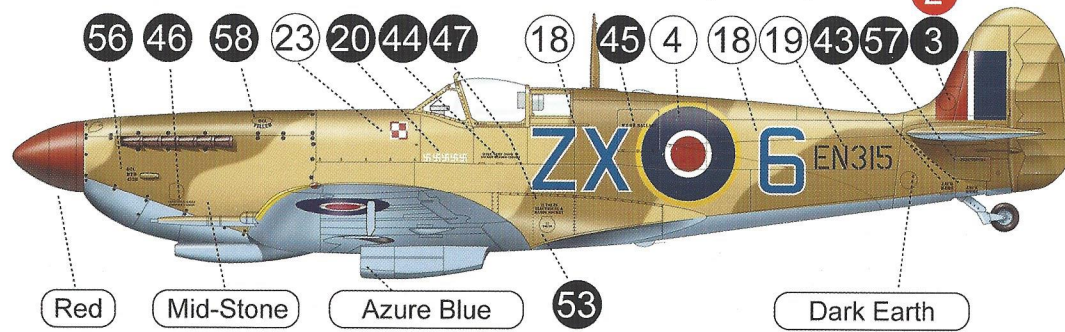
White Dark Green Medium Sea Grey 53 Sky Ocean Grey

PT396/EJ-C, Wg Cdr 'Jack' Charles, RCAF, OC Tangmere Wing, 1944

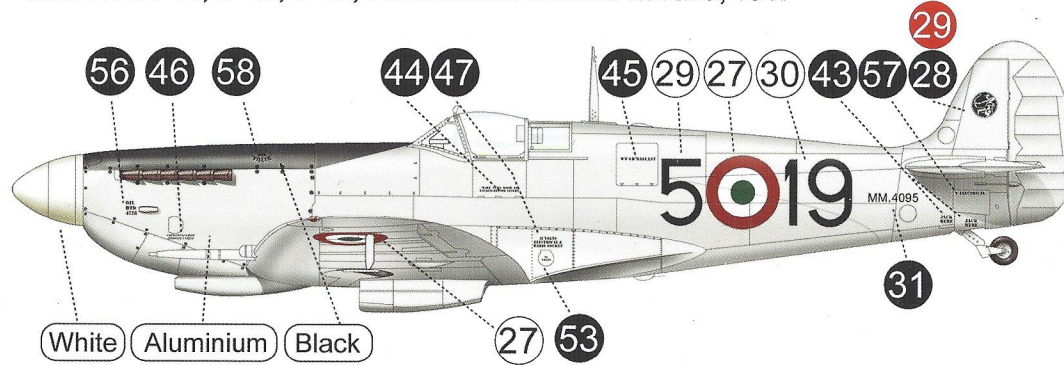


White Dark Green Medium Sea Grey 53 Sky Ocean Grey

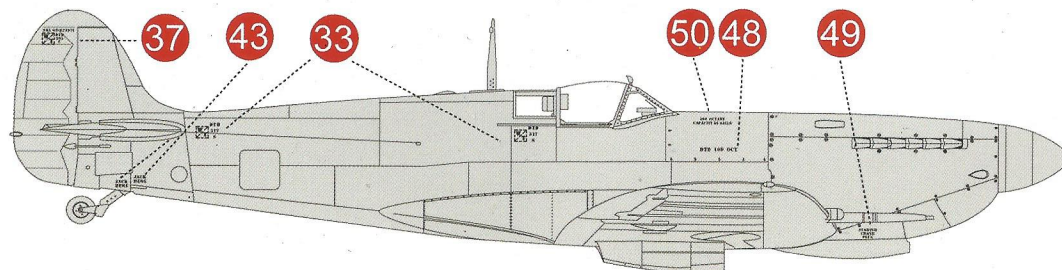
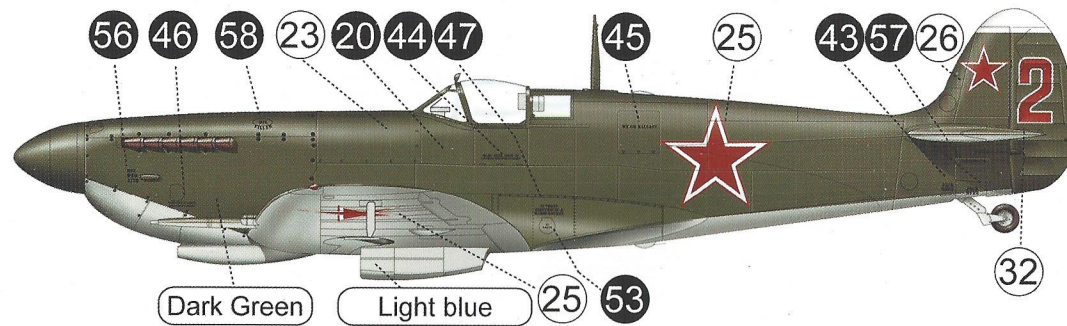
EN315/ZX-6, Sqn Ldr Stanislaw Skalski, OC No. 145 Squadron, 1943



MM.4095/5-19, 8° Gr, 5° St, Aeronautica Militare Italiana, 1947

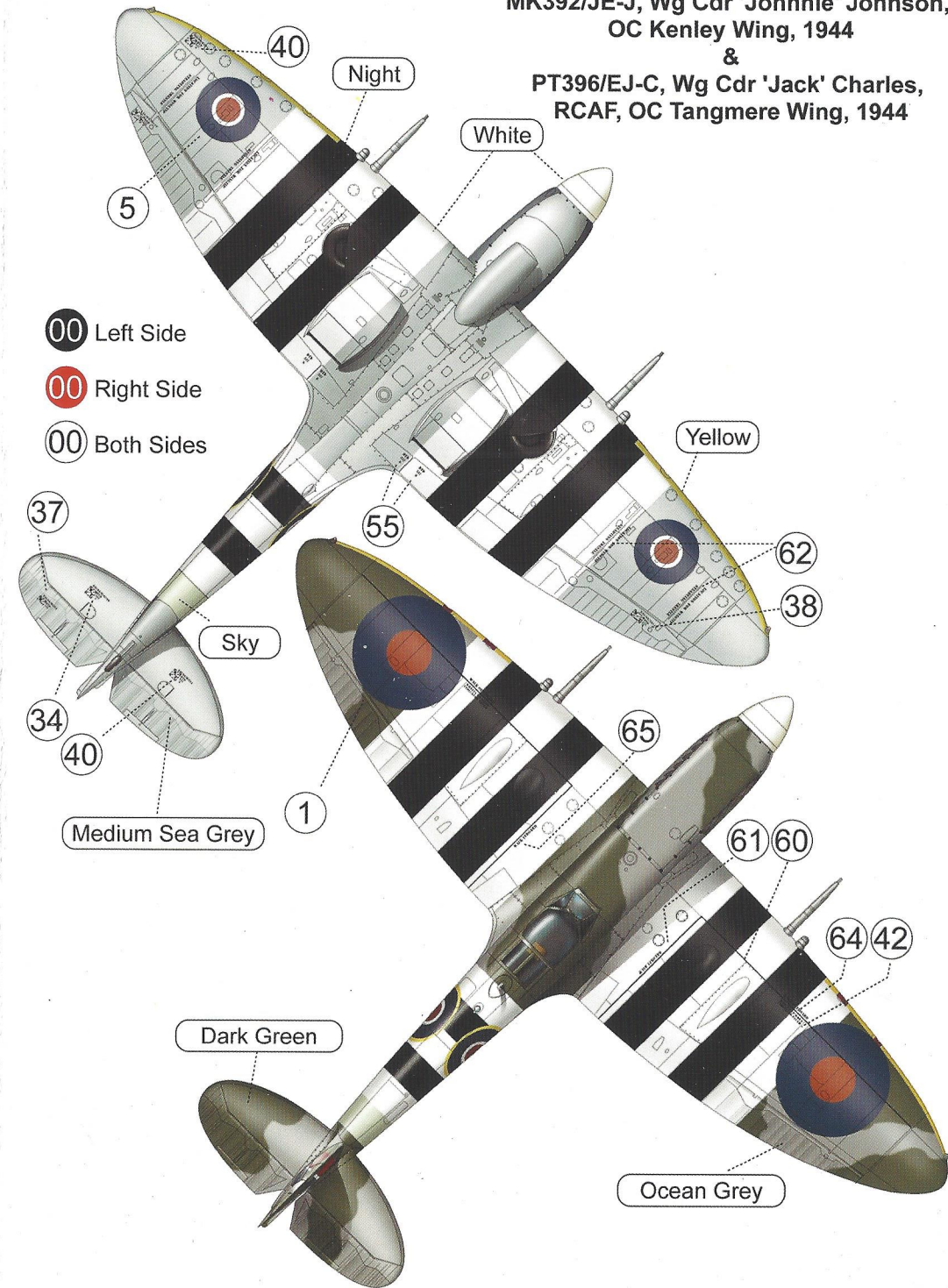


'Red 2', Soviet Air Force



MK392/JE-J, Wg Cdr 'Johnnie' Johnson, OC Kenley Wing, 1944

&
PT396/EJ-C, Wg Cdr 'Jack' Charles, RCAF, OC Tangmere Wing, 1944



- 00 Left Side
- 00 Right Side
- 00 Both Sides

PCM 32005/6 Spitfire Mk.IXc

