

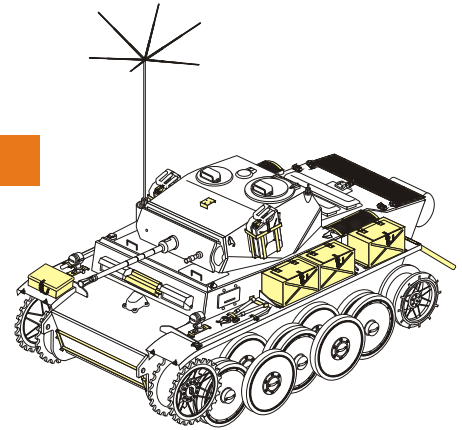
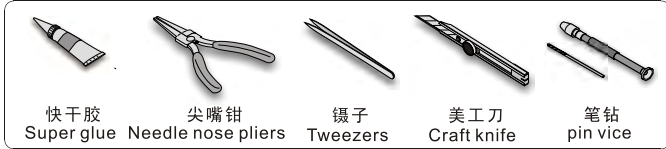
1/35 MILITARY MINIATURE VEHICLE UPGRADE SERIES PE351219


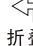







WWII German PzKpfw.II.Ausf.L Luch late version basic


二战德军II号坦克L型"山猫"坦克晚期型改造件

[For Border BT-018]

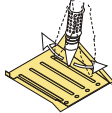
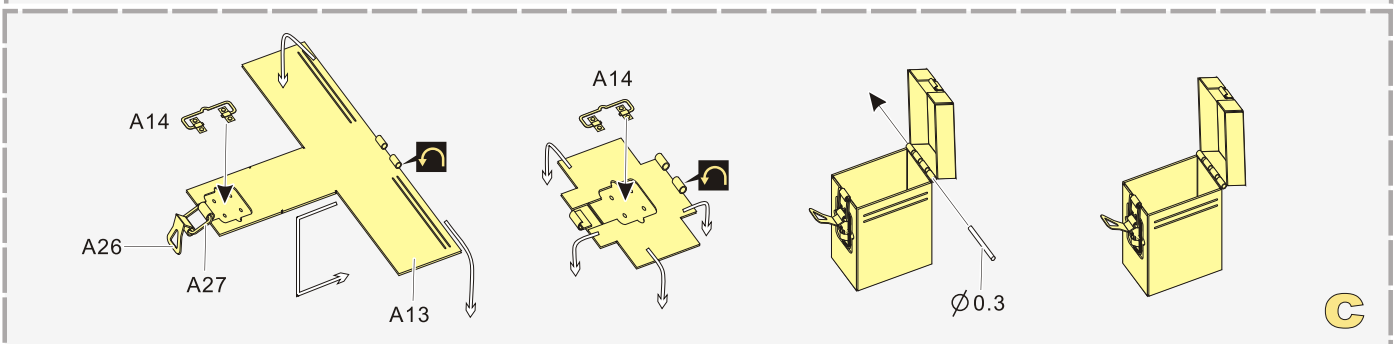
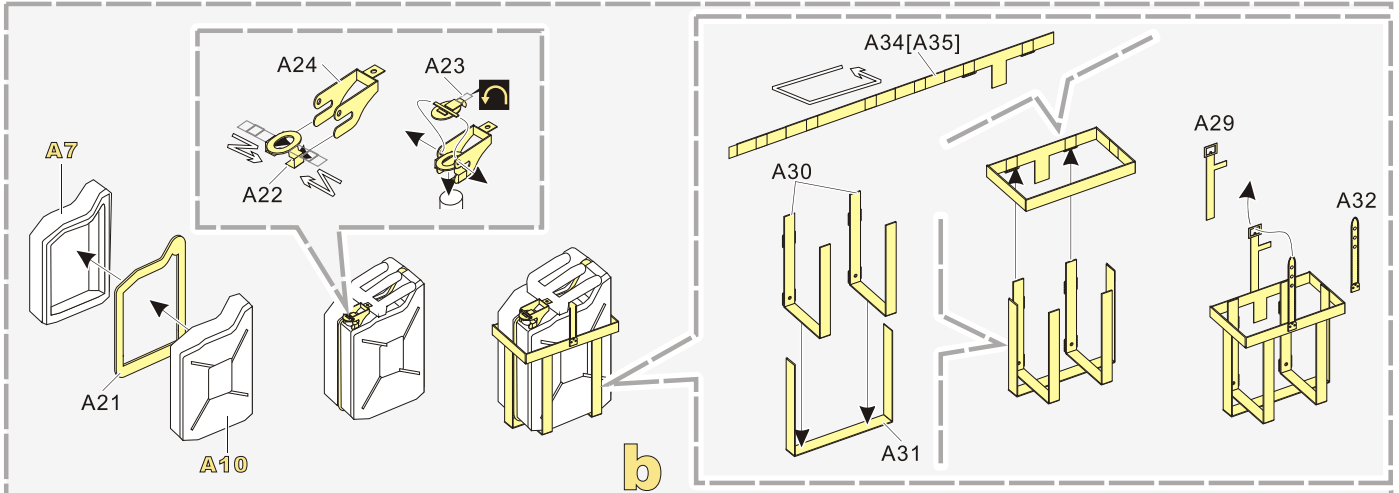
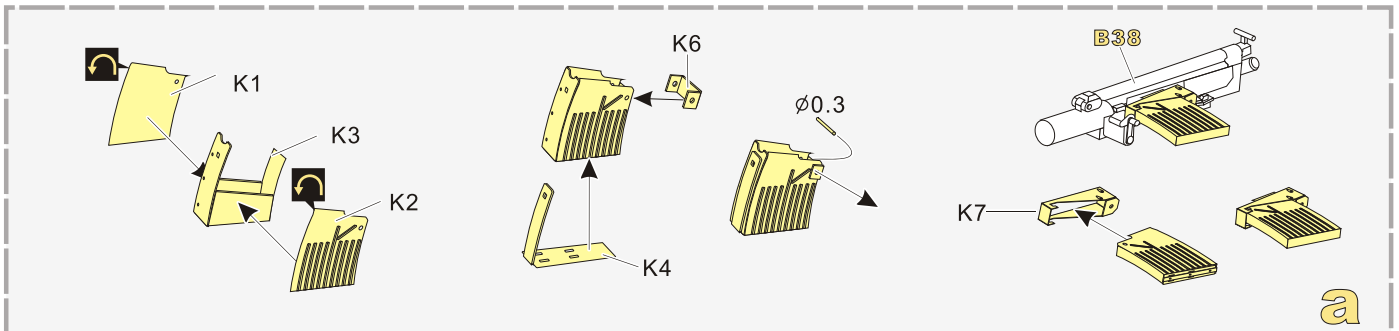
■ 推荐使用工具 RECOMMENDED TOOLS



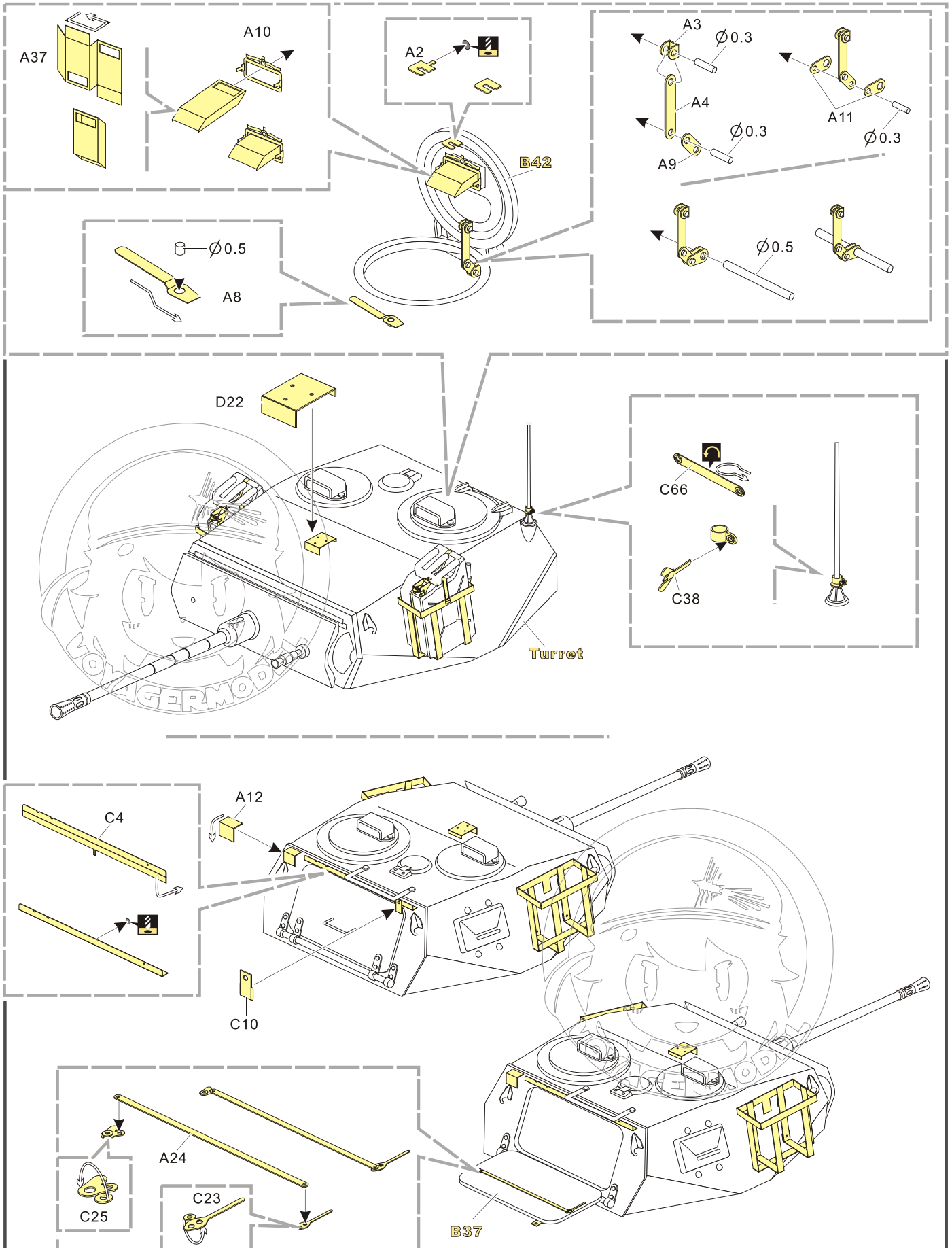
- 
安装
 install
 - 
折叠
 bend
 - A1**
 改造件零件编号
 PE/resin part number
 - B12**
 原零件编号
 kit part number
 - C22**
 被替换的原零件编号
 replaced kit part number
 - 
 另一侧相同制作
 repeat on opposite side
-
- 
切除
 remove
 - 
打磨
 grind off
 - 
弧度卷曲
 radial bending
 - x2**
 制作若干组
 multiple assembly
 - 
选择安装
 alternative
 - 
钻孔
 drill
 - 
用胶棒制作
 make from plastic rod


 用尖端在凹槽处冲压
 use penpoint to press on the dent

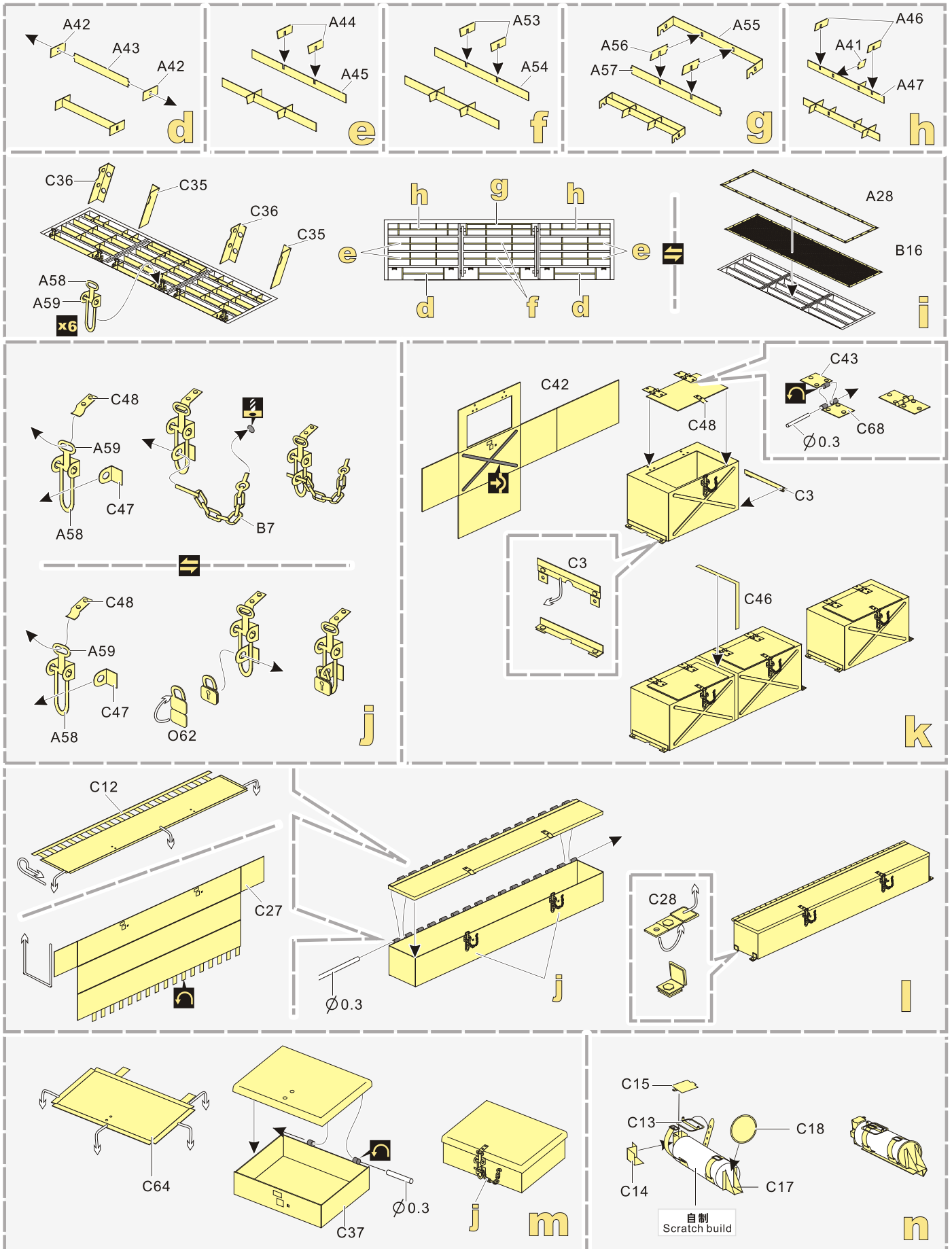
蚀刻片零件内面向上
 Put the part upside down
 用笔尖在凹槽处刻
 Use penpoint to press on the dent

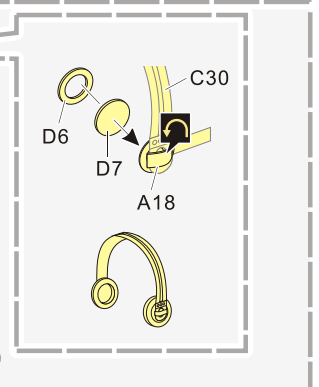
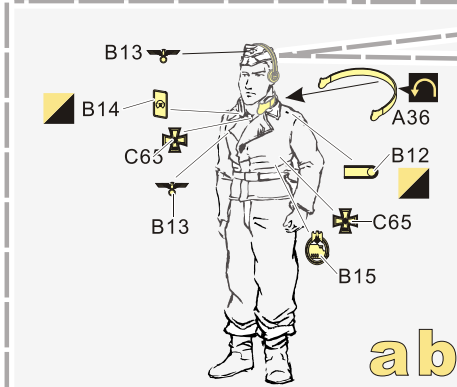
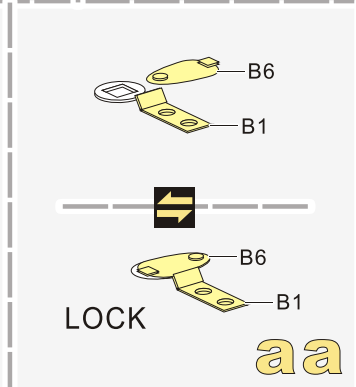
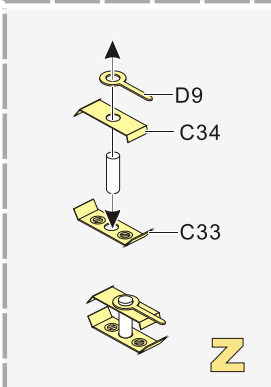
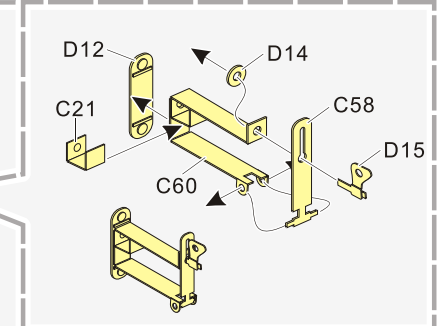
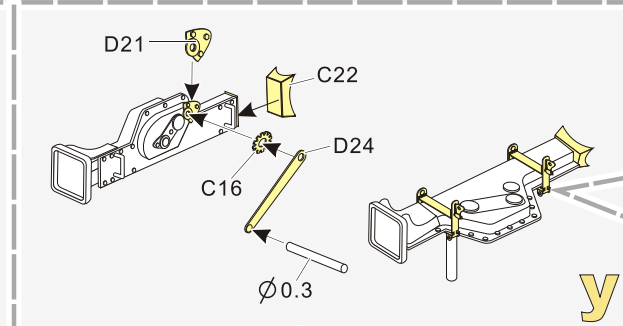
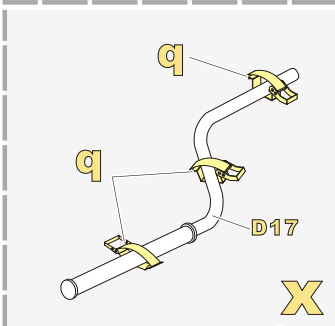
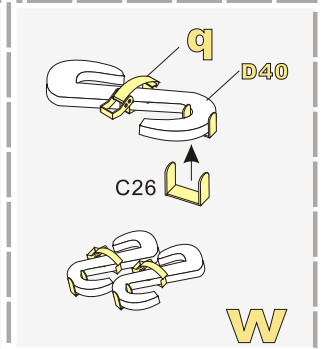
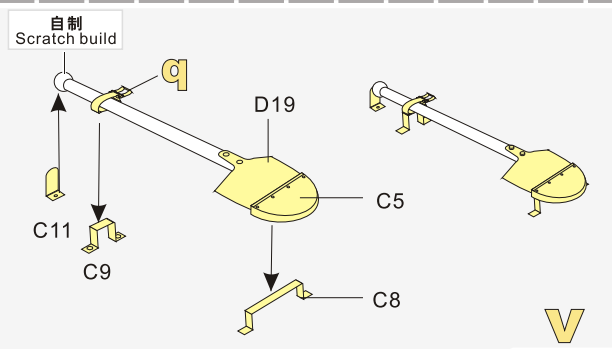
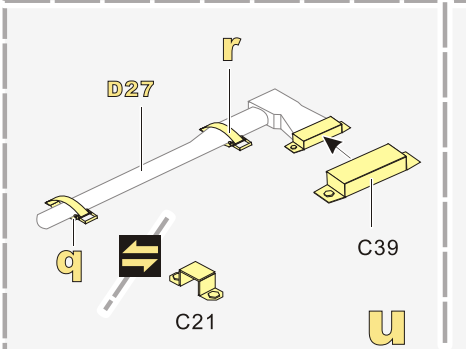
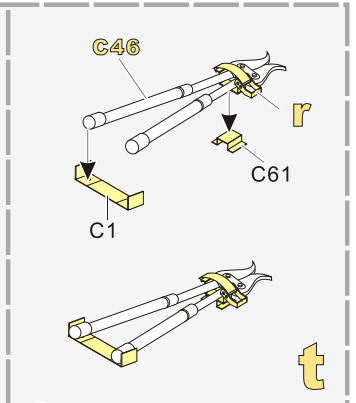
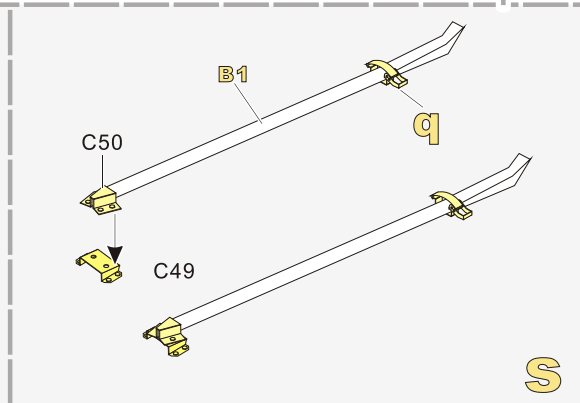
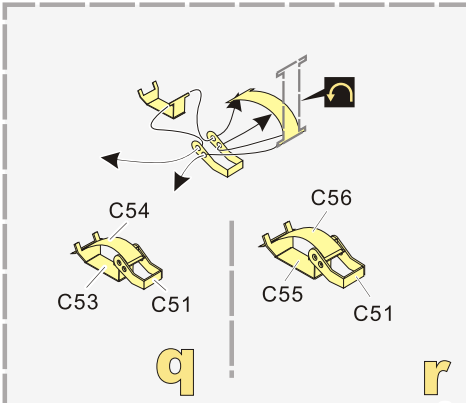
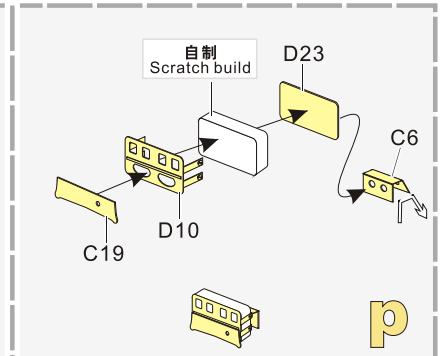
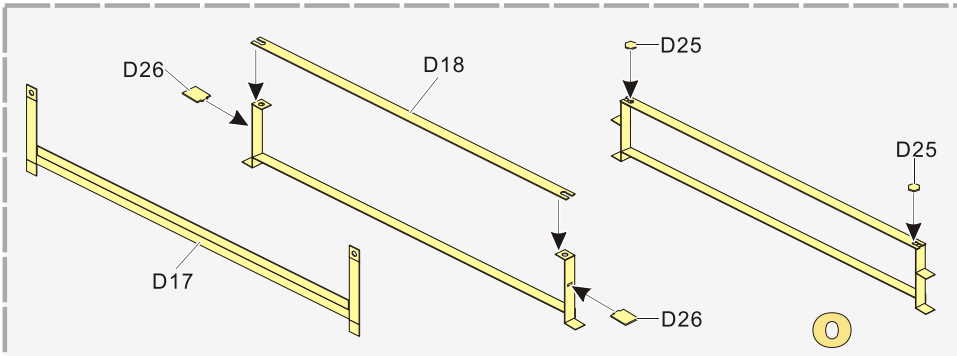
1/35 MILITARY MINIATURE VEHICLE UPGRADE SERIES PE351219



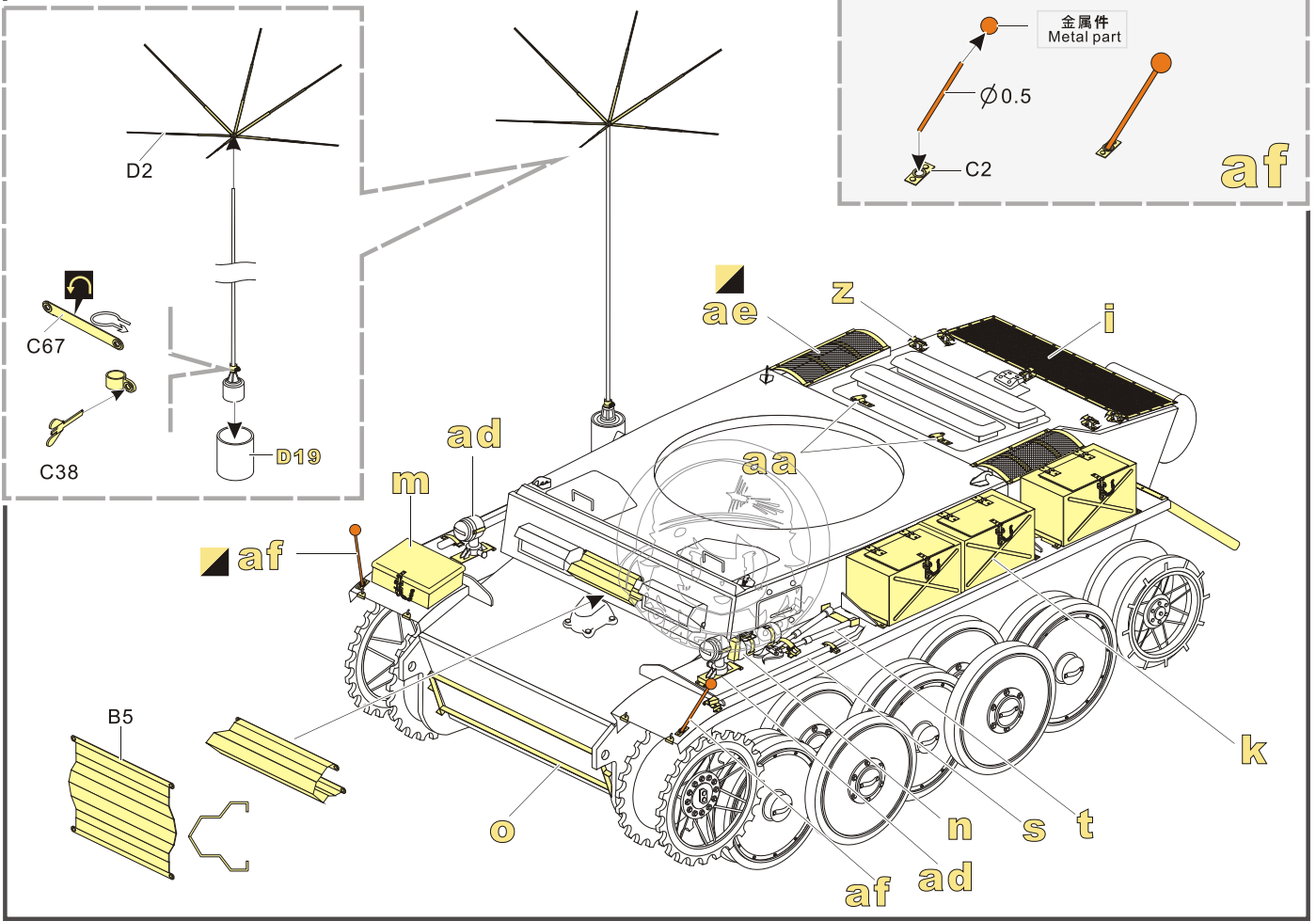
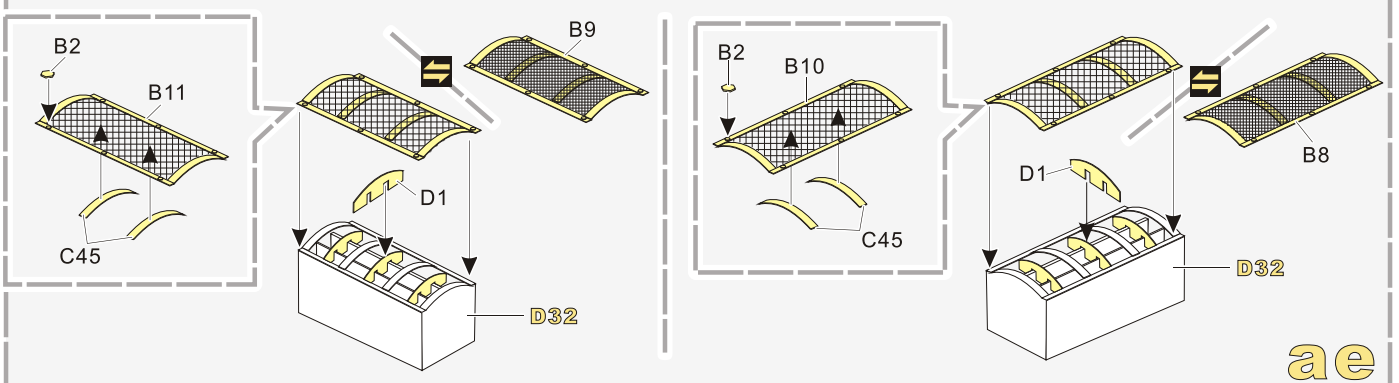
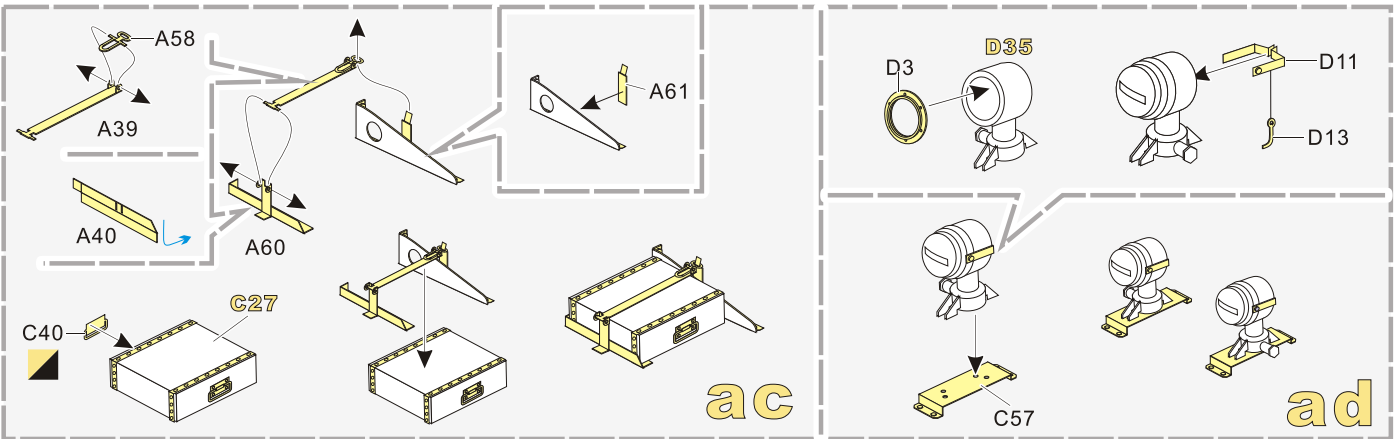
1/35 MILITARY MINIATURE VEHICLE UPGRADE SERIES PE351219



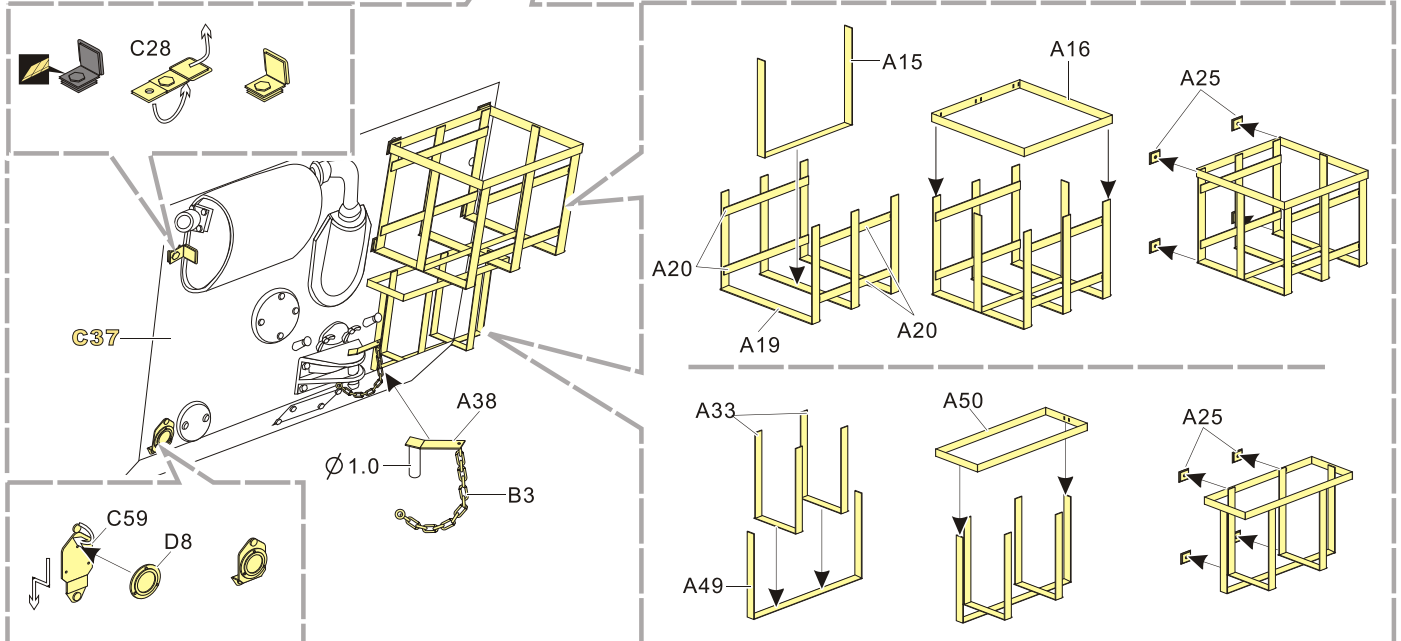
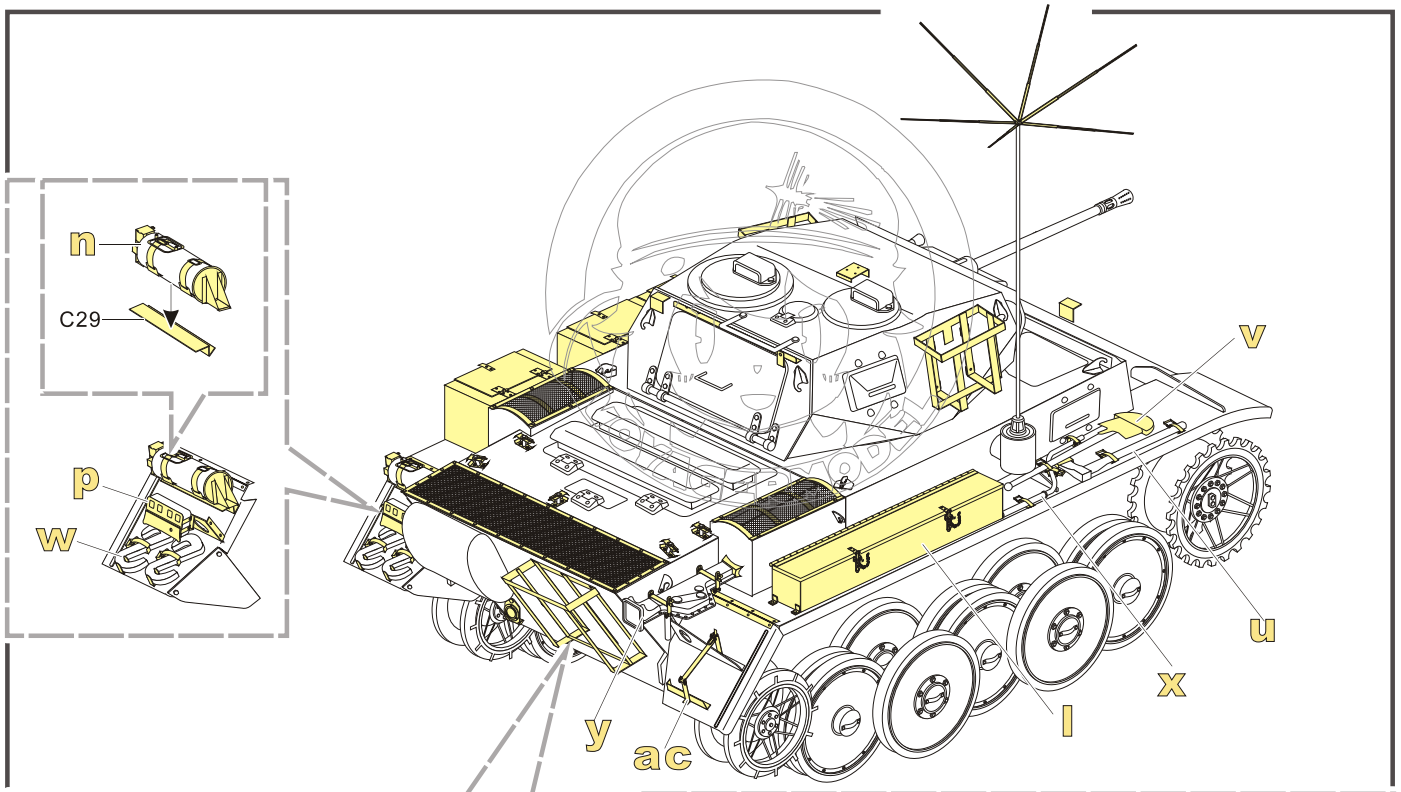
1/35 MILITARY MINIATURE VEHICLE UPGRADE SERIES PE351219



1/35 MILITARY MINIATURE VEHICLE UPGRADE SERIES PE351219



1/35 MILITARY MINIATURE VEHICLE UPGRADE SERIES PE351219



[Http://www.voyagermodel.com/productdetails.asp?itemid=PE351219](http://www.voyagermodel.com/productdetails.asp?itemid=PE351219)



微博公众号
Weibo official or code



官方淘宝
The official taobao



微信公众号
Wechat official or code



**VOYAGER
MODEL**



更多PE351219样品照片参考请扫一扫
MORE PICTUER OF PE 351219
REFERENCE SCAN HERE