



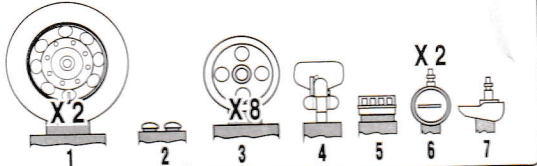
DIORAMA ACCESSORIES
 Royal Model by Roberto Reale
 P.O. Box 25 - 95039 - Treccastagni (CT) ITALY

OPEL MAULTIER 1/35

microdetails set

(RESIN PARTS IDENTIFICATION)

Remove the shaded area shown



- Remove the plastic part to be substitute with the photo-etched part.
- Repeat same operation for the other side.
- ⊙ Photo-etched part.
- ⊞ Resin part.

The parts included in this kit are to be assembled in conjunction with the ITALERI kit.

For best results in the assembling of photo-etched and resin parts use cyanoacrylate glue.

Always remember to use cyanoacrylate glue in a well ventilated area.

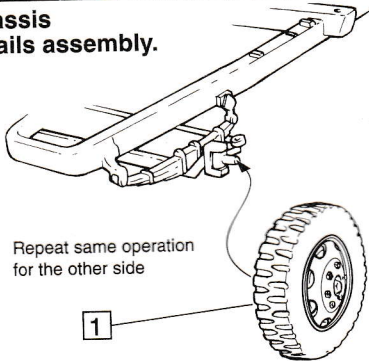
Before assembly be sure to remove all parts to be substituted with photo-etched and resin parts.

It is advised before assembly to study well the instructions which accompany this MICRODETAILS SET plus any other sufficient documentation.

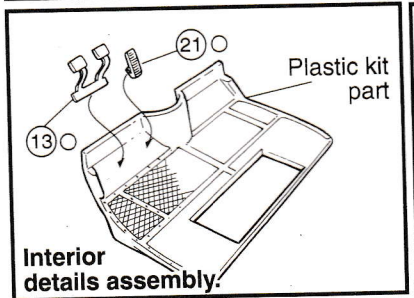
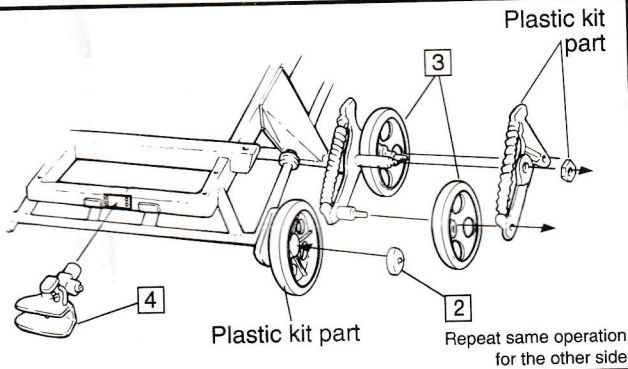
Note that some particulars illustrated in the instructions have been enlarged for easy identification.

If distortion occurs in some resin parts due to humidity immerse in hot water and reform.

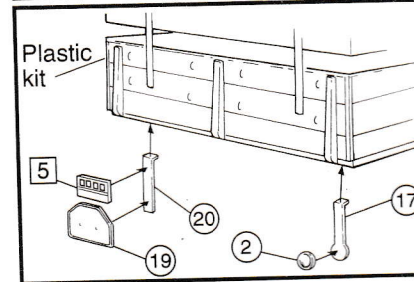
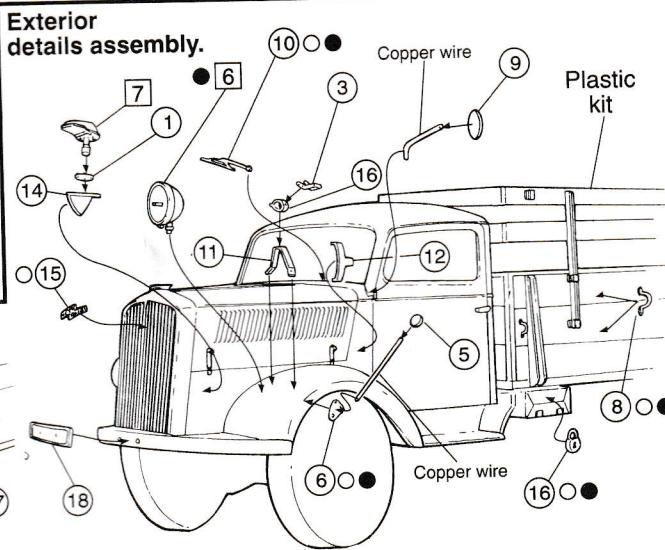
Chassis details assembly.



Repeat same operation for the other side



Interior details assembly.



Drawings by ROYAL MODEL (1995)