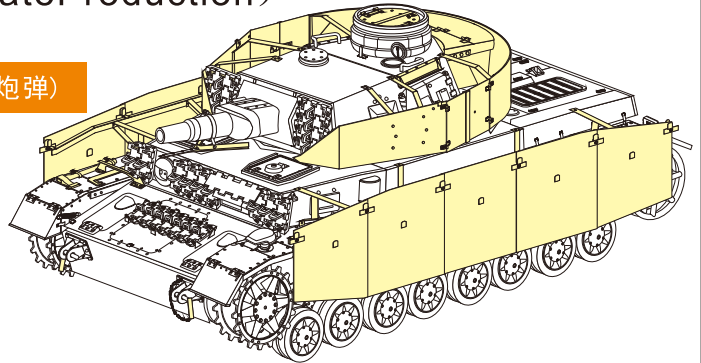


1/35 MILITARY MINIATURE VEHICLE UPGRADE SERIES PE351124

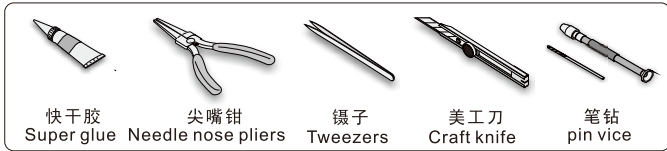
WWII German Pz.Kpfw.IV Ausf.F1 (Late Production) Basic (B ver included Ammo)

二战德军IV号坦克F1型后期批次基本改造件(B版本含炮弹)

[For TAMIYA 35374]



推荐使用工具 RECOMMENDED TOOLS



快干胶 Super glue 尖嘴钳 Needle nose pliers 镊子 Tweezers 美工刀 Craft knife 笔钻 pin vice

↑
安装
install

↩
折叠
bend

A1
改造件零件编号
PE/resin part number

B12
原零件编号
kit part number

C22
被替换的原零件编号
replaced kit part number

◀▶
另一侧相同制作
repeat on opposite side

✂
切除
remove

🪄
打磨
grind off

🌀
弧度卷曲
radial bending

✖
制作若干组
multiple assembly

↔
选择安装
alternative

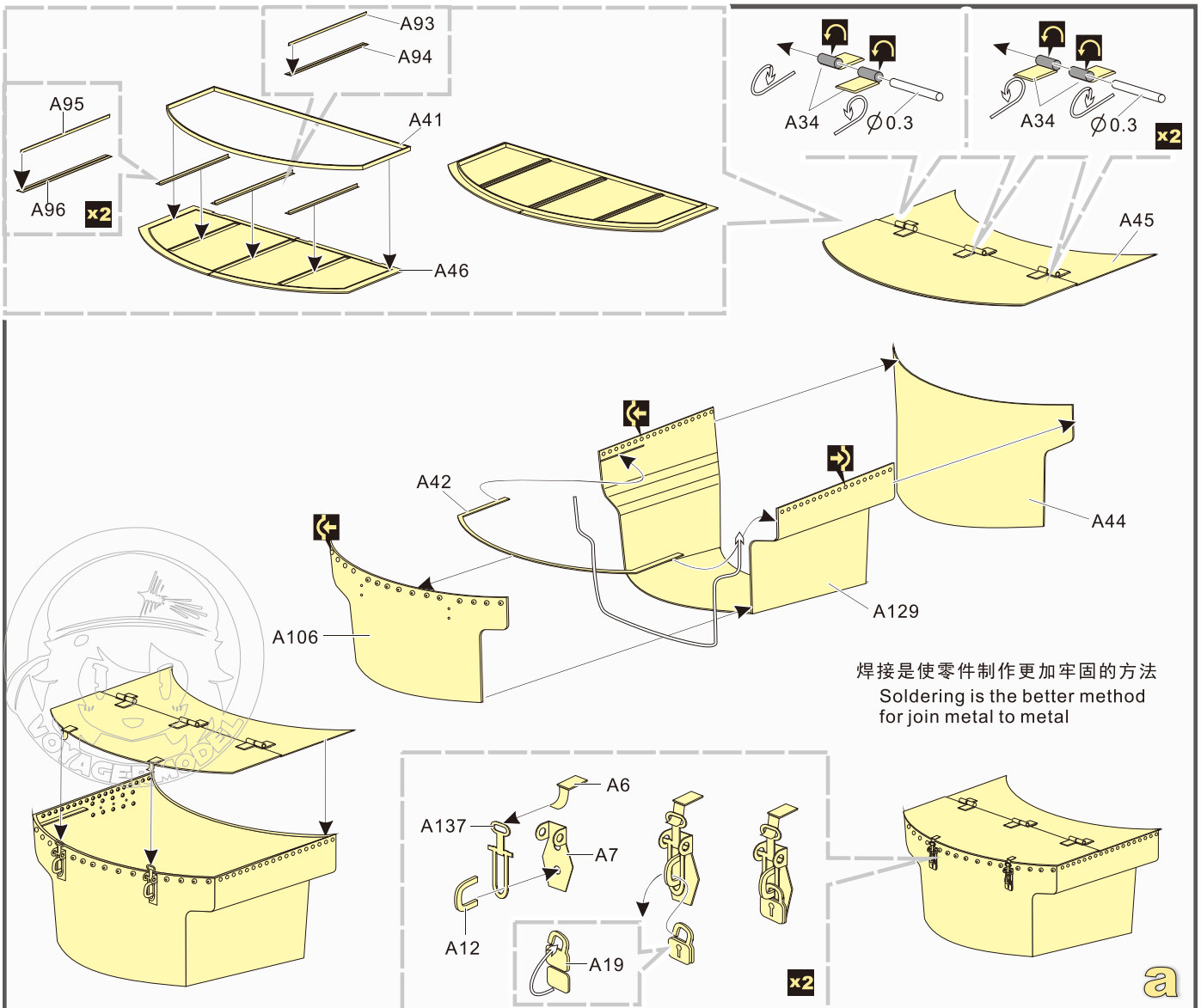
🪚
钻孔
drill

🪵
用胶棒制作
make from plastic rod

⬇
用尖端在凹槽处冲压
use penpoint to press on the dent

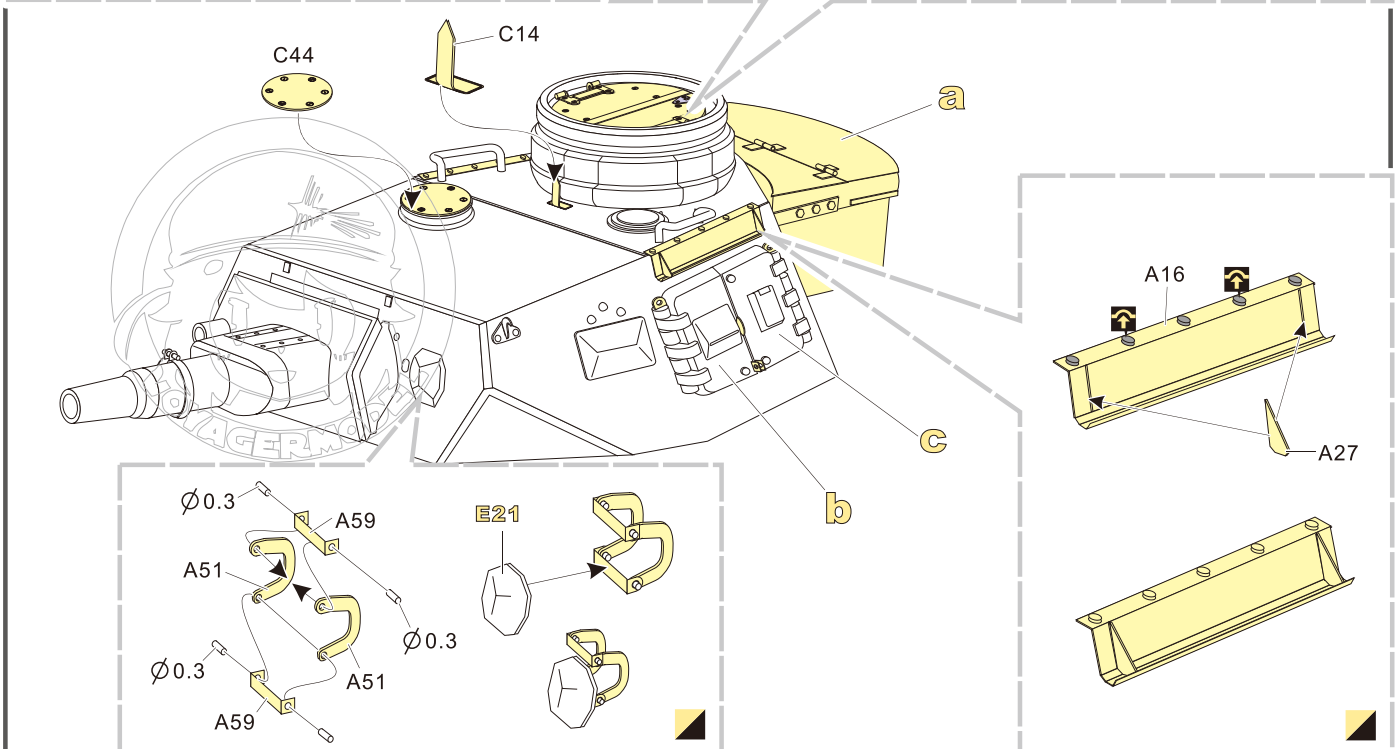
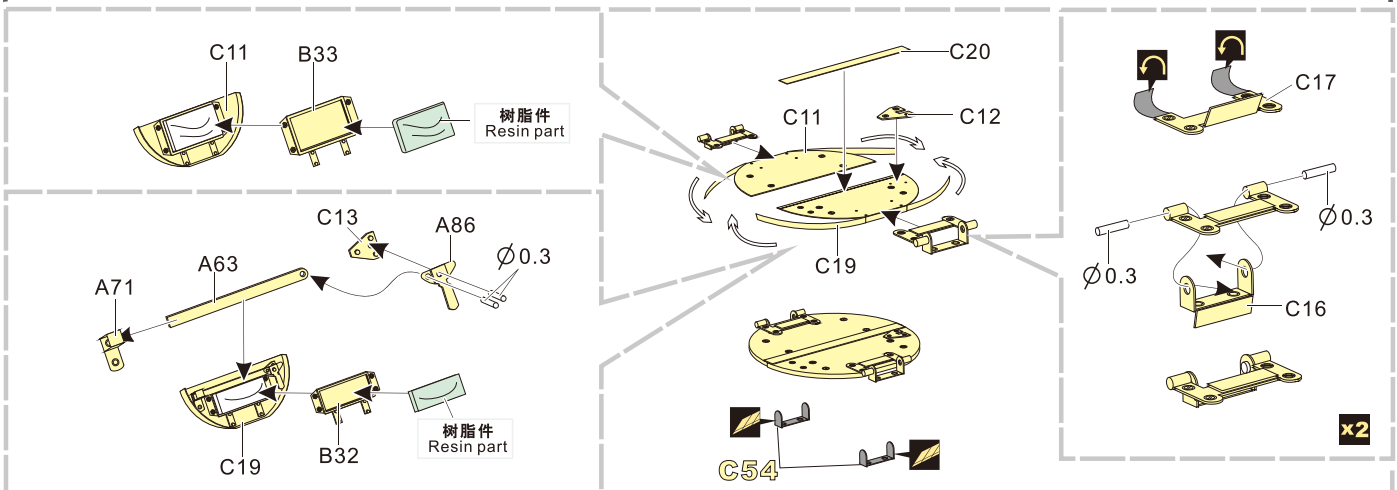
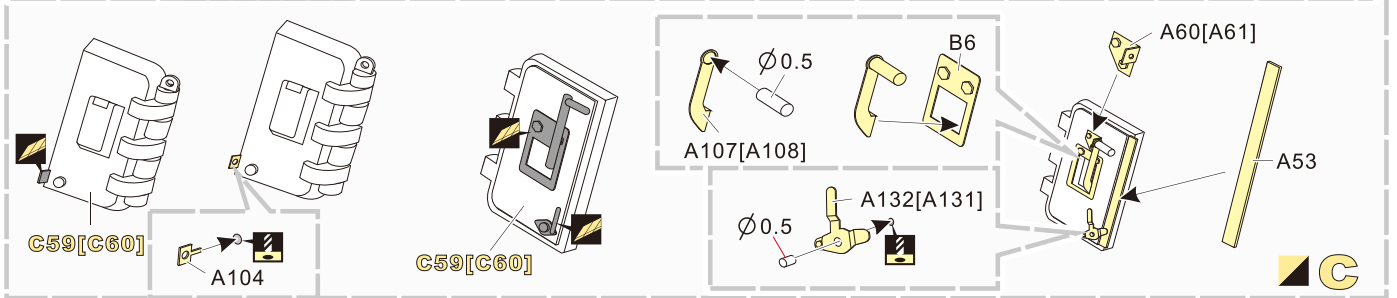
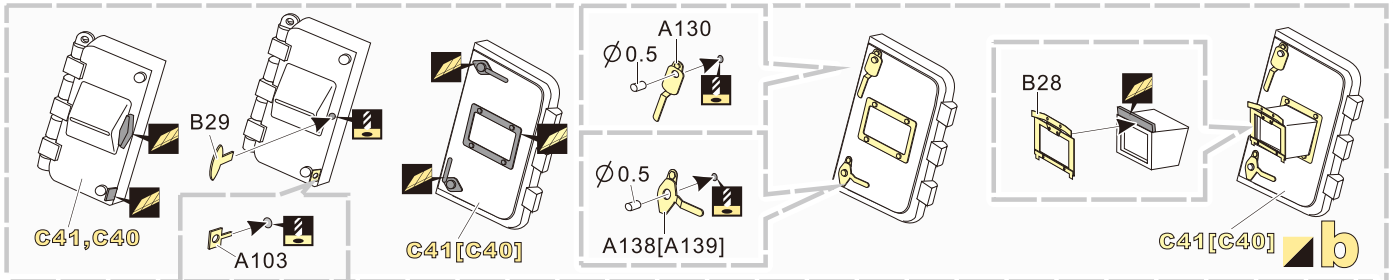
蚀刻片零件内侧面向上
Put the part upside down

用笔尖在凹槽处划
Use penpoint to press on the dent

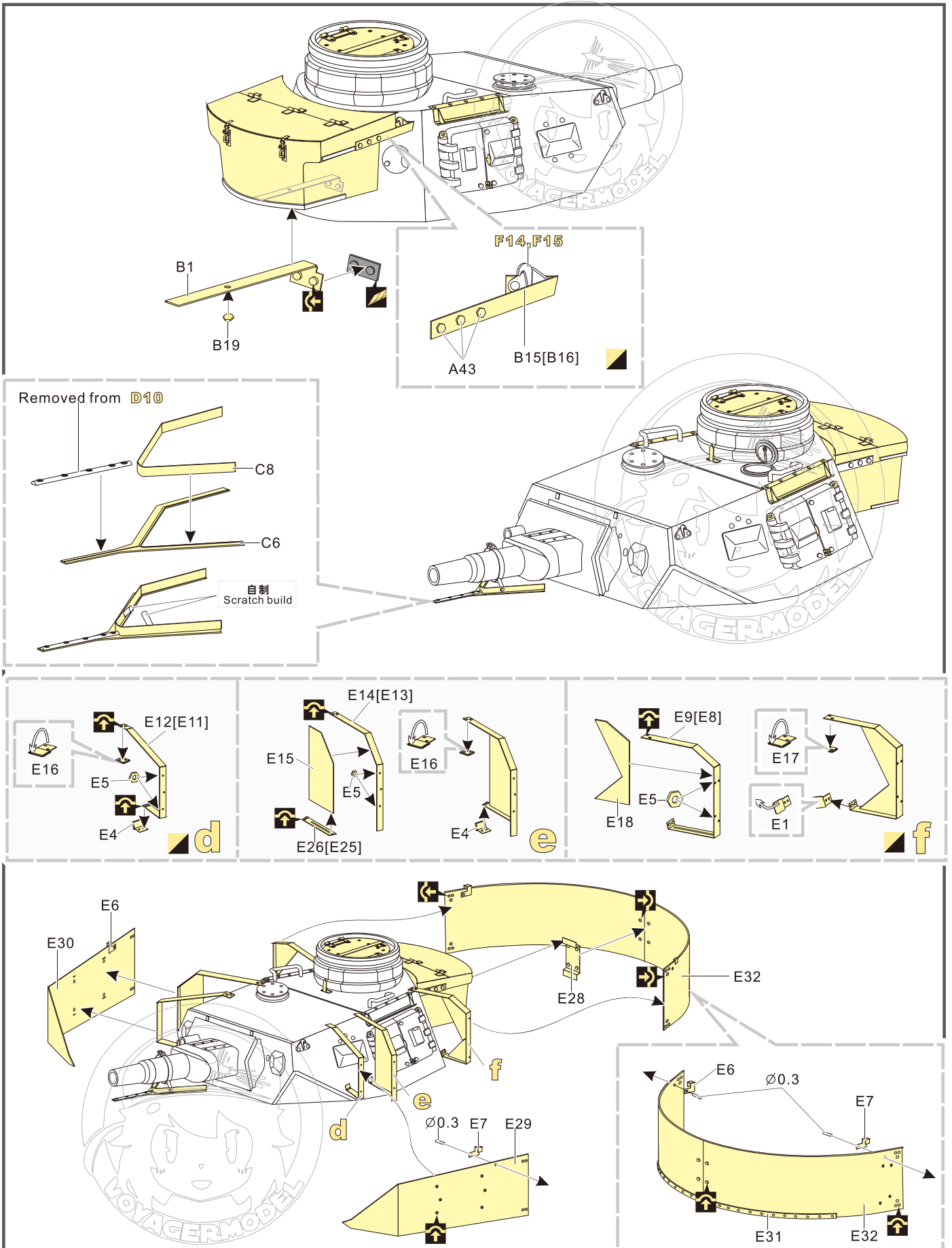


焊接是使零件制作更加牢固的方法
Soldering is the better method
for join metal to metal

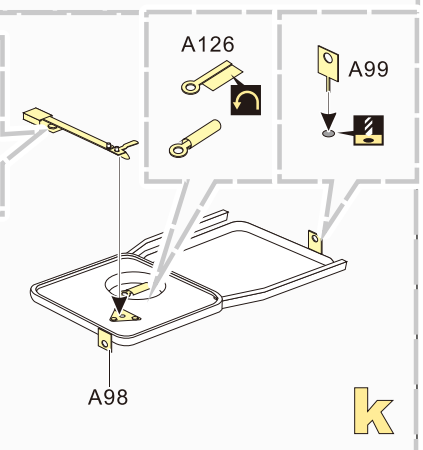
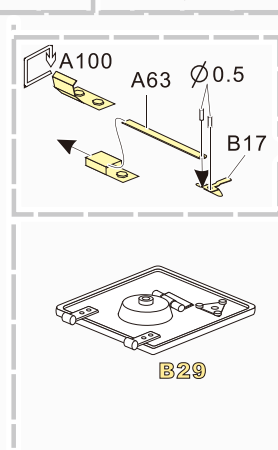
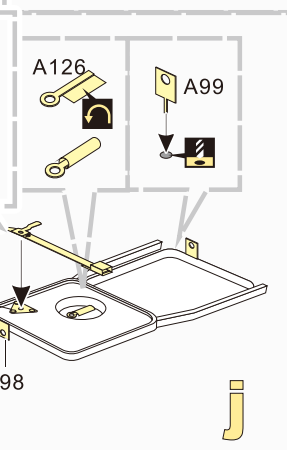
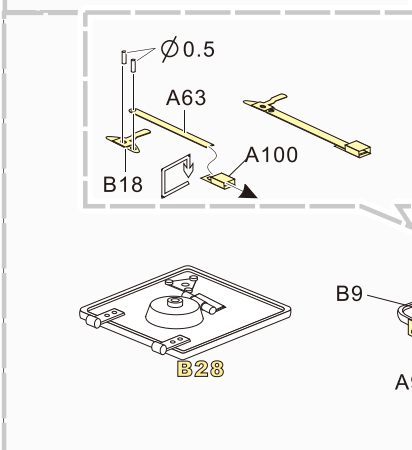
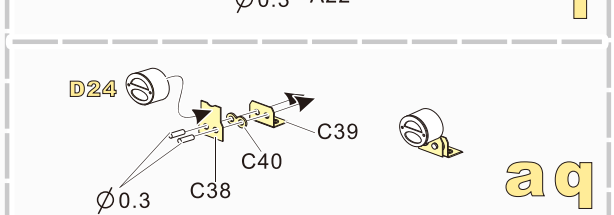
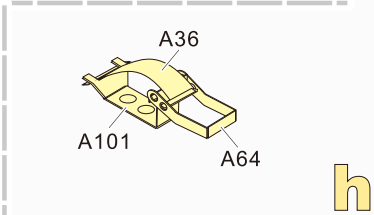
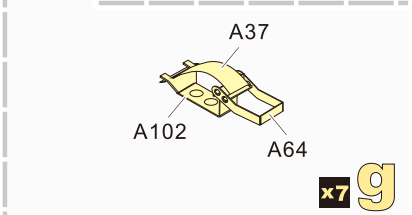
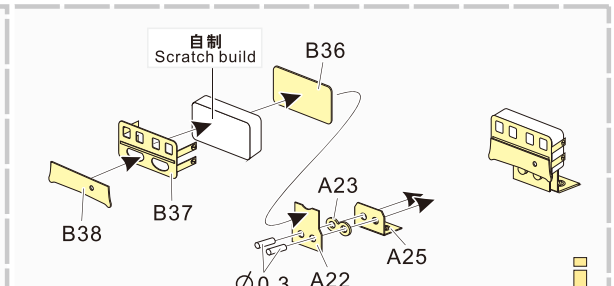
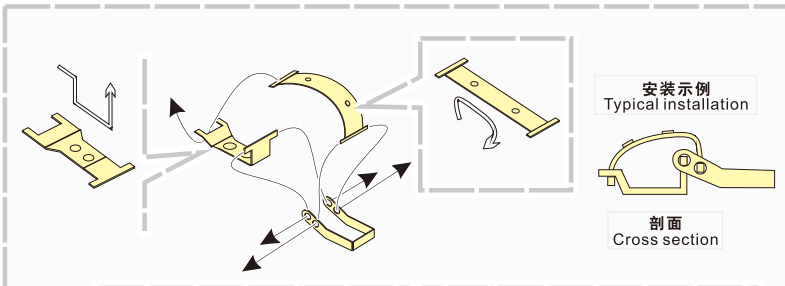
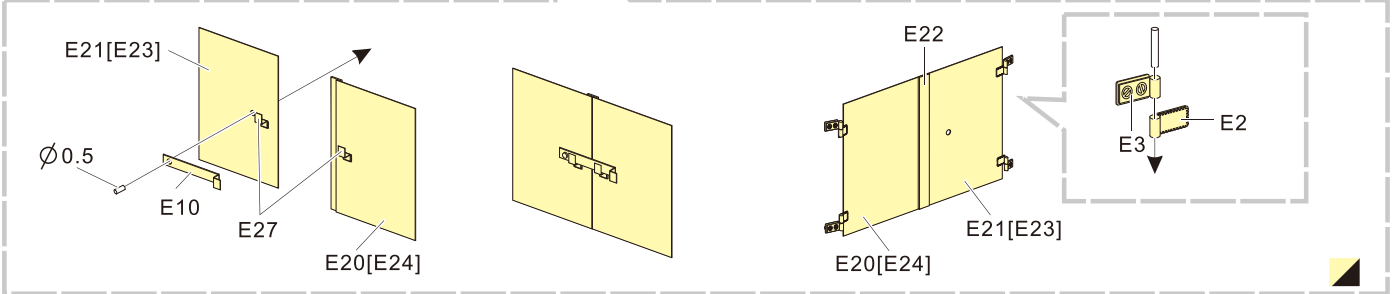
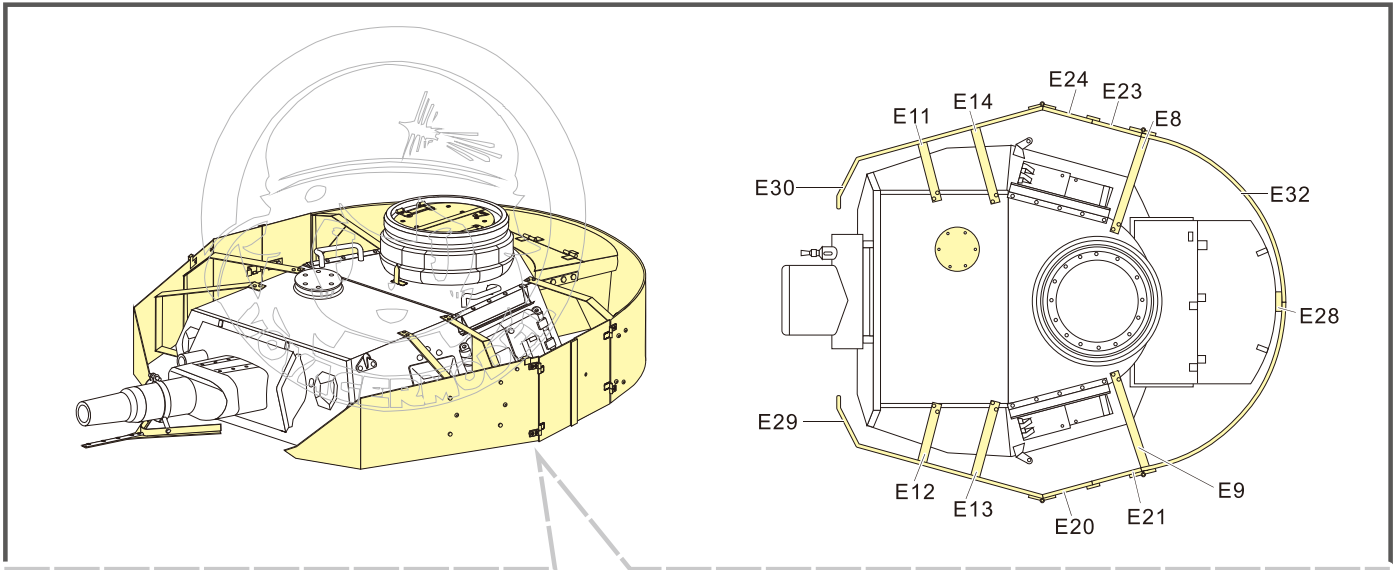
1/35 MILITARY MINIATURE VEHICLE UPGRADE SERIES PE351124



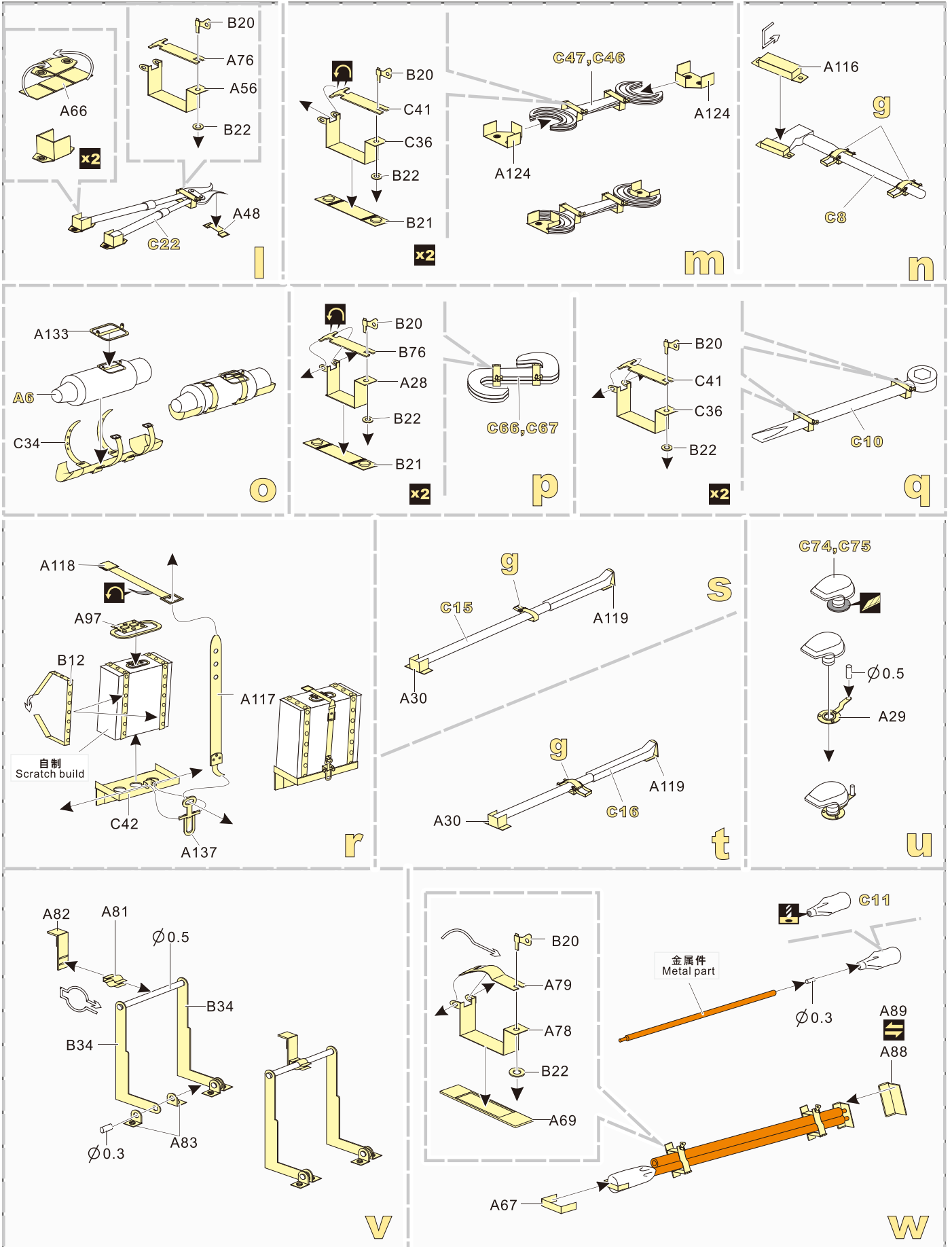
1/35 MILITARY MINIATURE VEHICLE UPGRADE SERIES PE351124



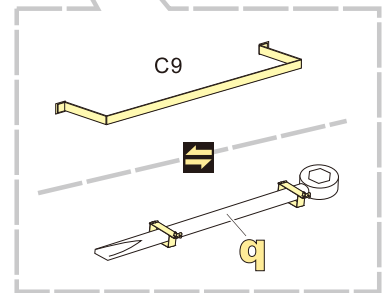
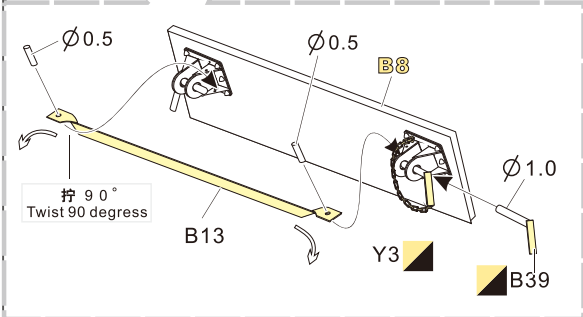
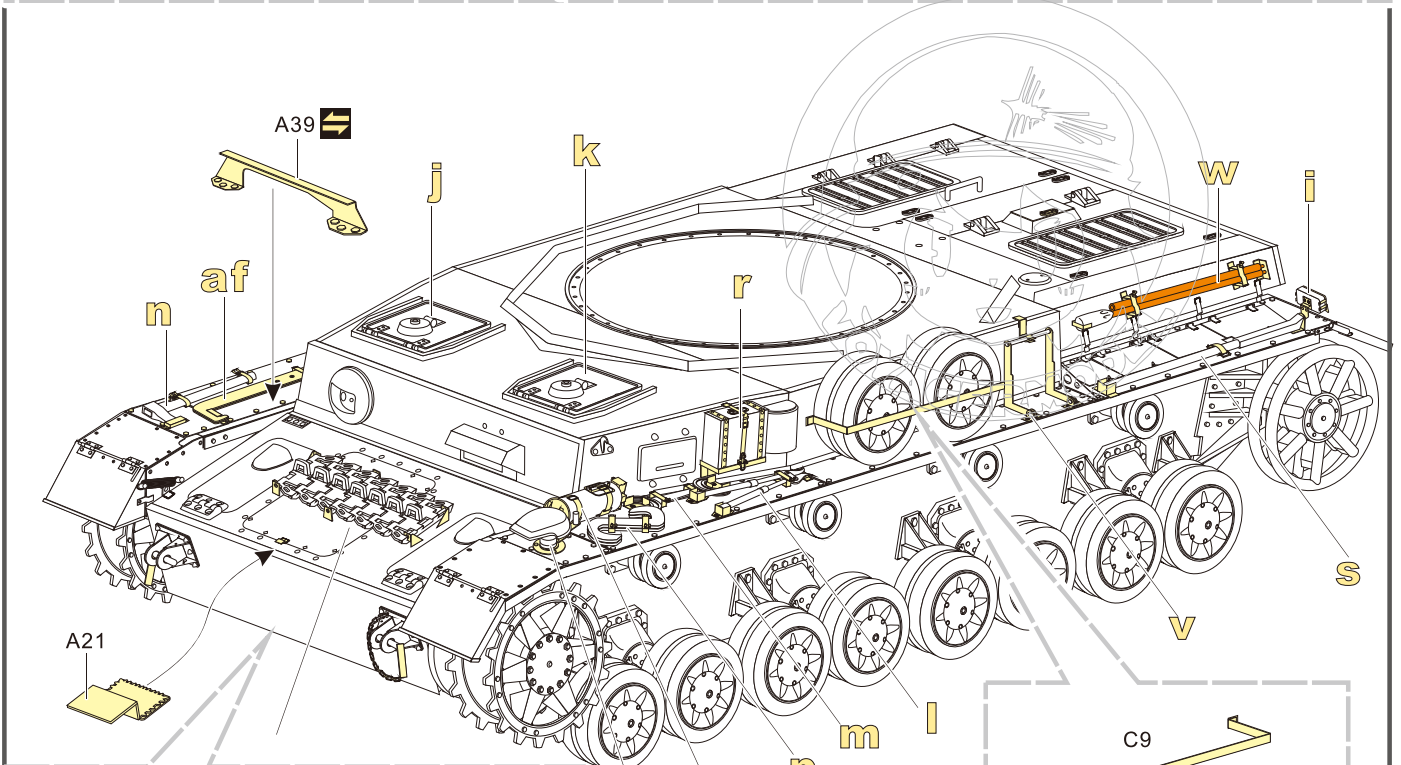
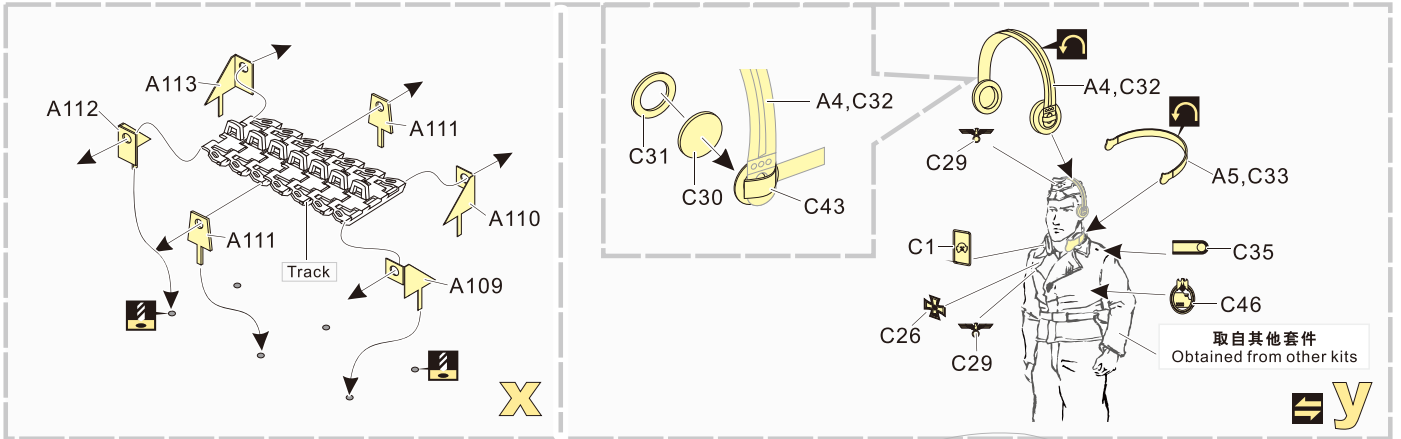
1/35 MILITARY MINIATURE VEHICLE UPGRADE SERIES PE351124



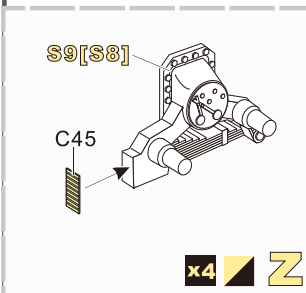
1/35 MILITARY MINIATURE VEHICLE UPGRADE SERIES PE351124



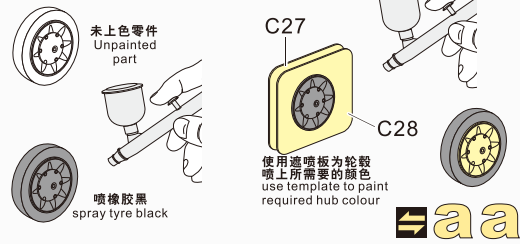
1/35 MILITARY MINIATURE VEHICLE UPGRADE SERIES PE351124



[Http://www.voyagermodel.com/productdetails.asp?itemid=PE351124](http://www.voyagermodel.com/productdetails.asp?itemid=PE351124)



漏喷板使用说明:

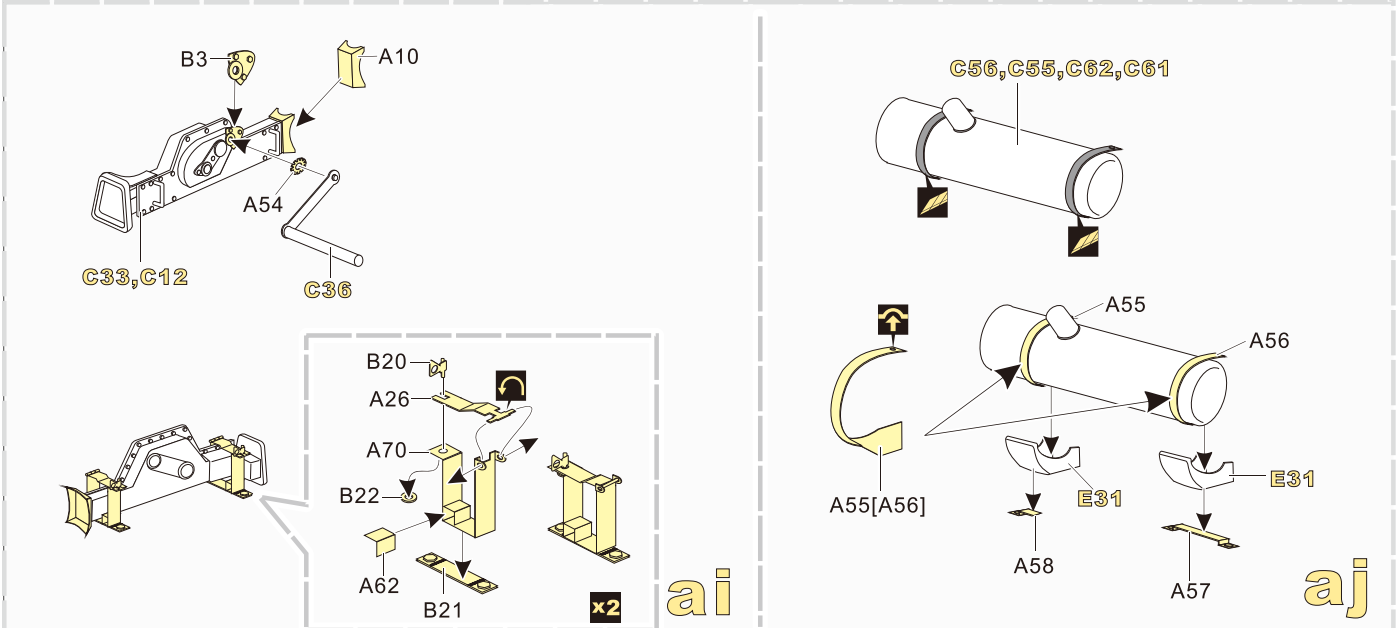
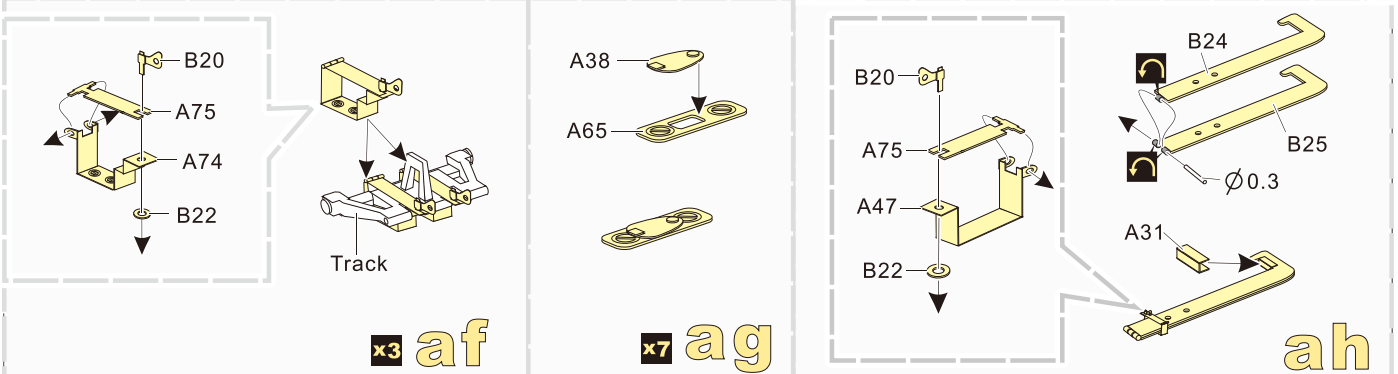
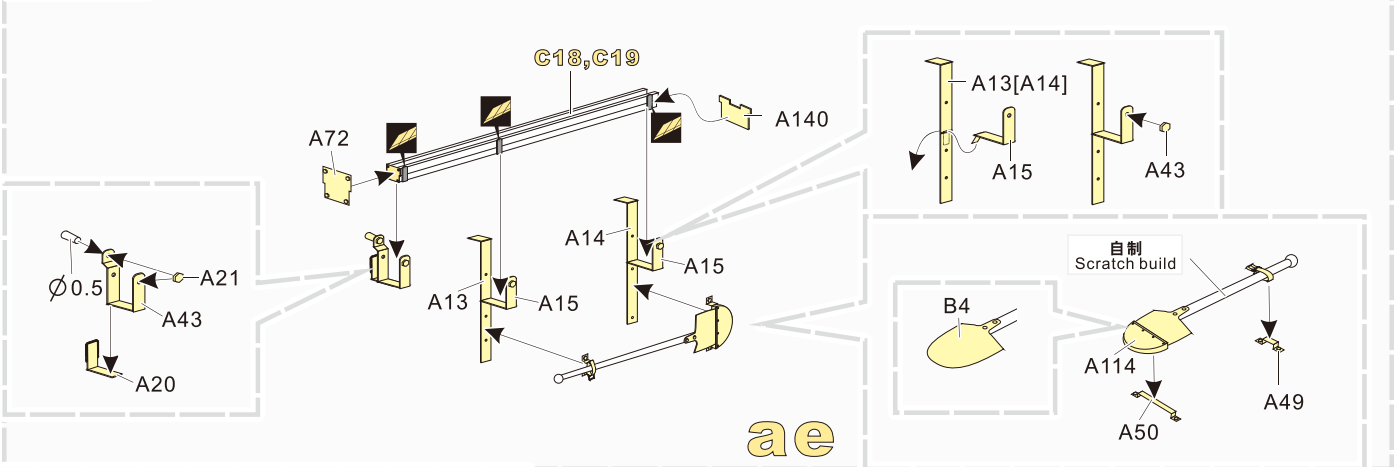
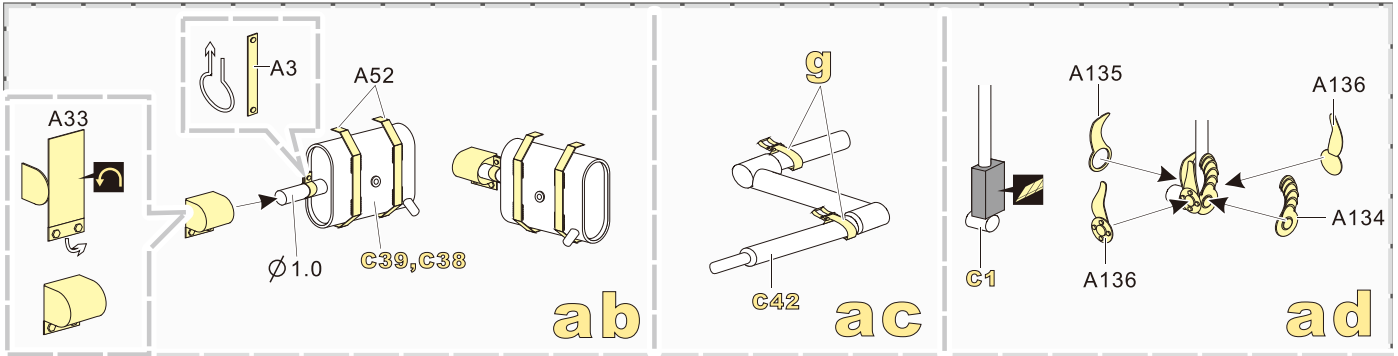


**VOYAGER
MODEL**

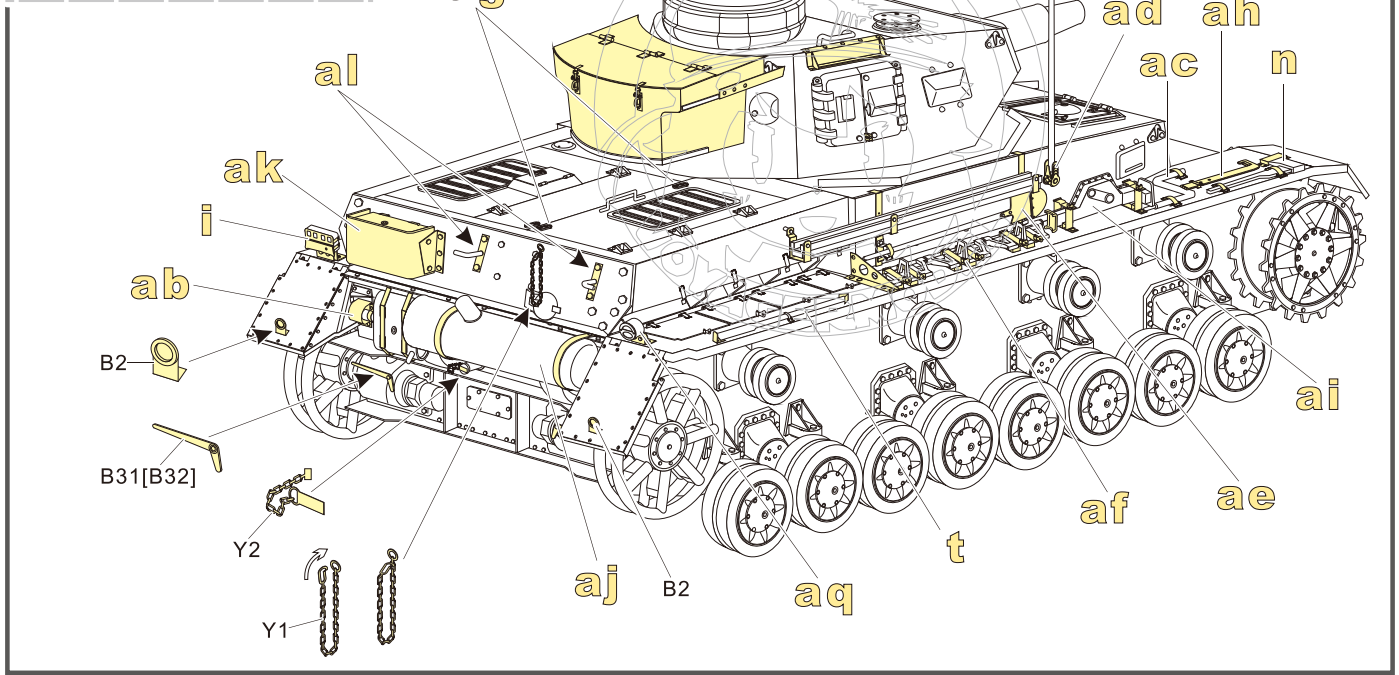
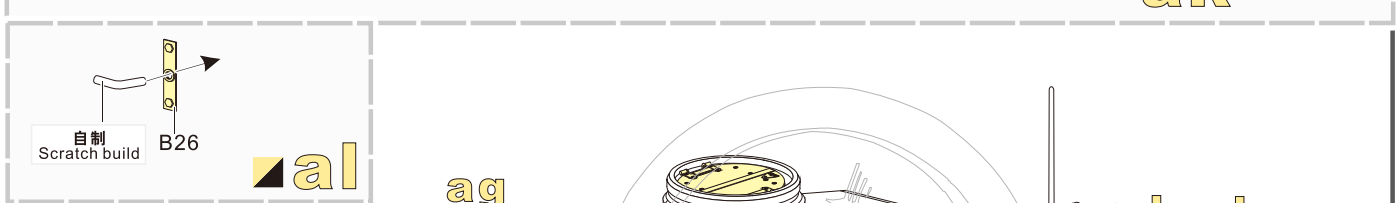
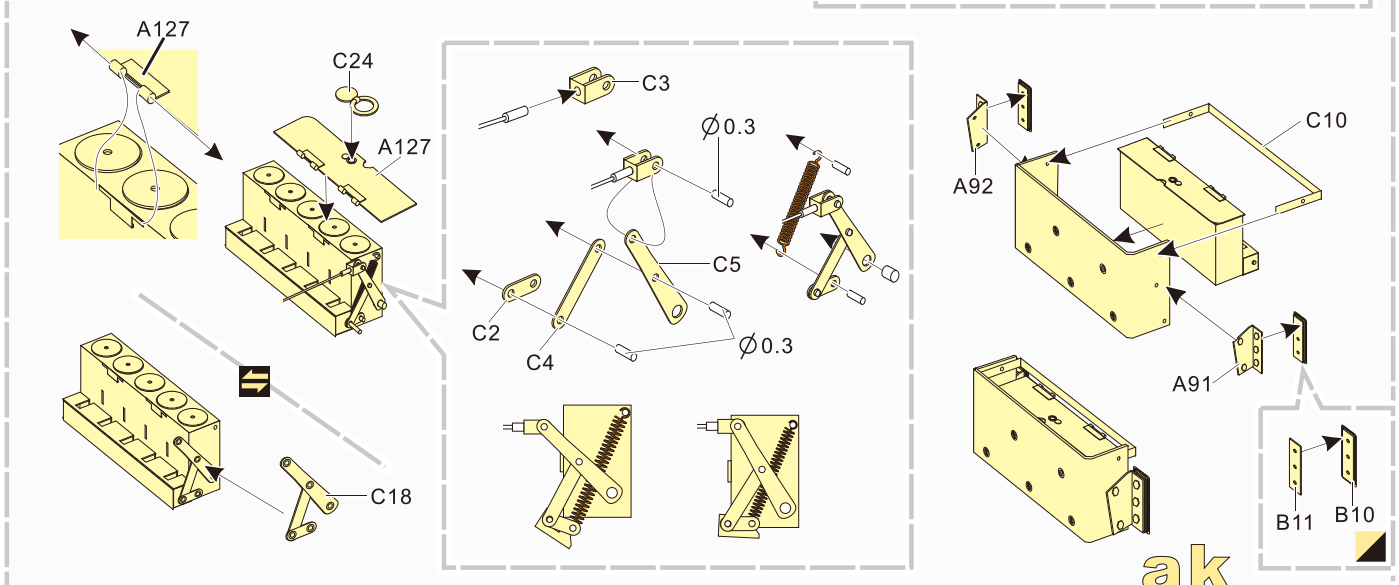
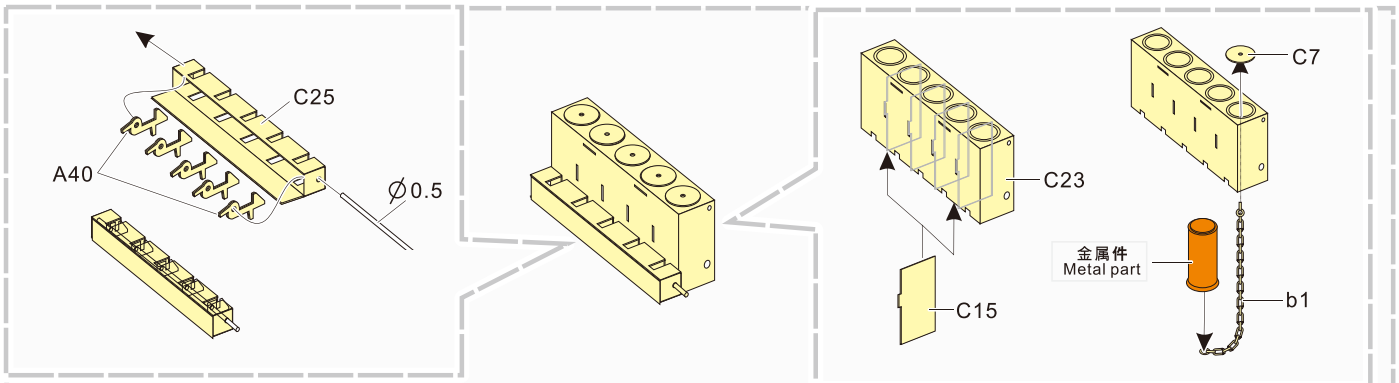


更多PE351124样品照片参考请扫一扫
MORE PICTUER OF PE 351124
REFERENCE SCAN HERE

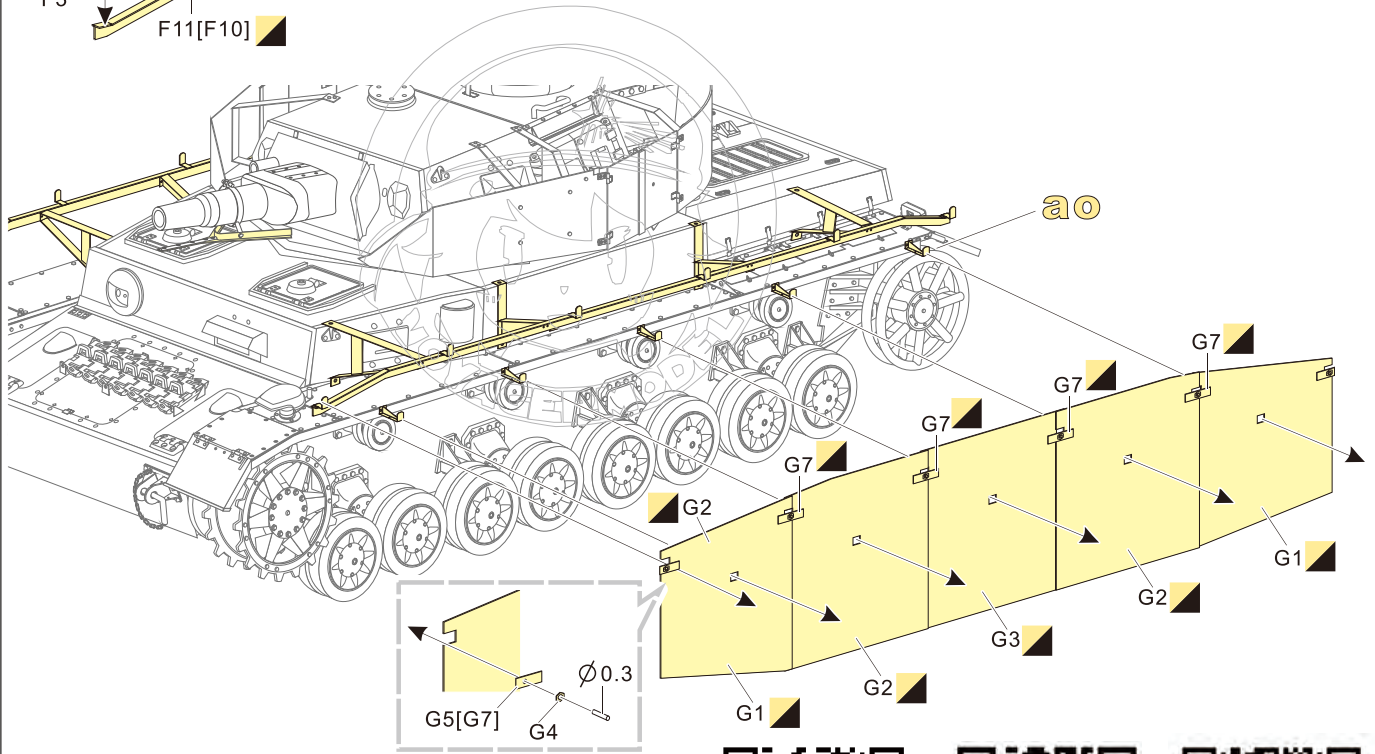
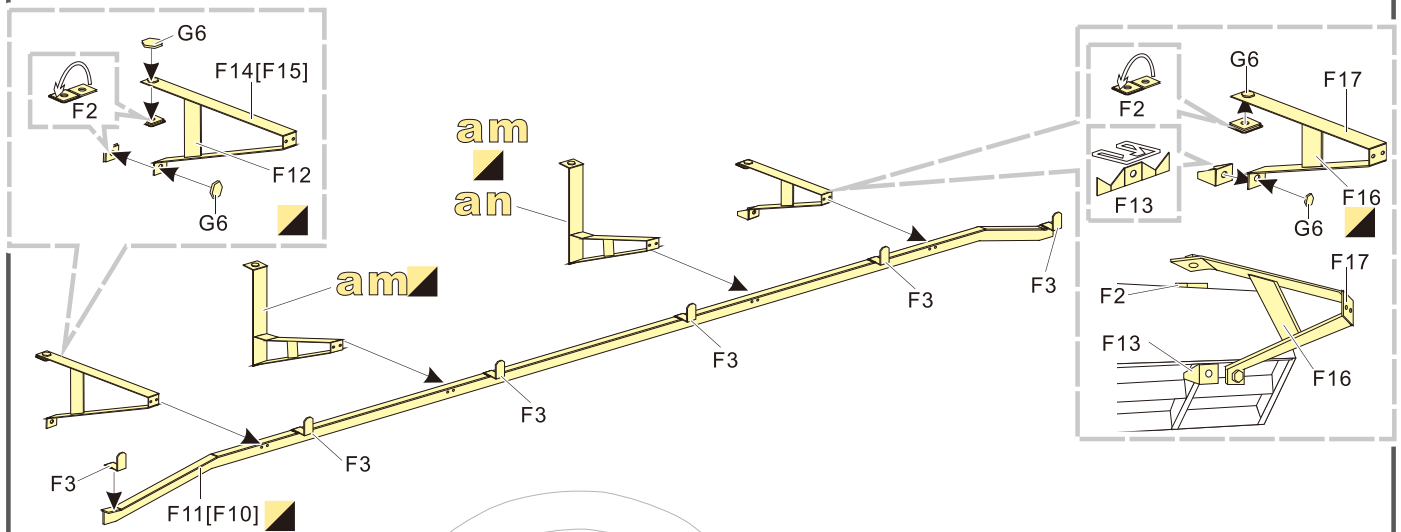
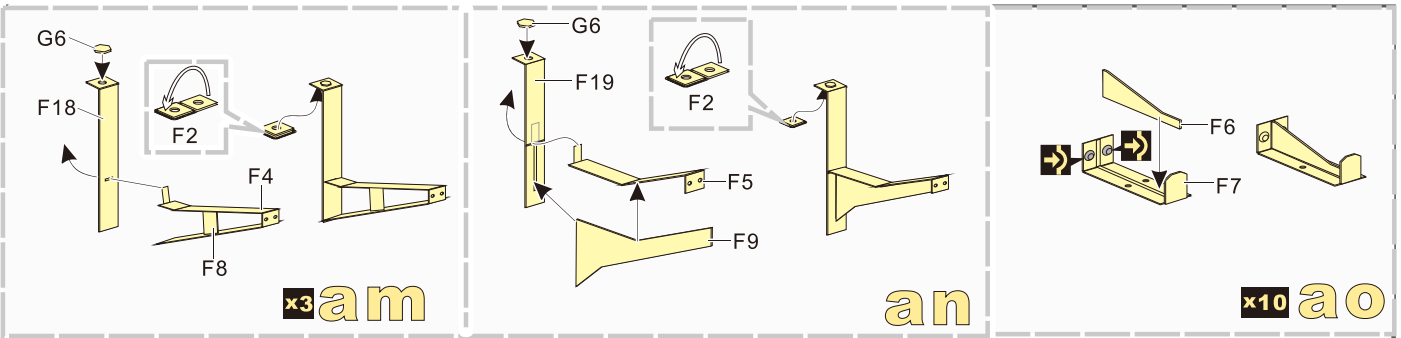
1/35 MILITARY MINIATURE VEHICLE UPGRADE SERIES PE351124



1/35 MILITARY MINIATURE VEHICLE UPGRADE SERIES PE351124



1/35 MILITARY MINIATURE VEHICLE UPGRADE SERIES PE351124



VOYAGERMODEL® 元微不至 极尽享受
The Best Upgrade Solution

Recommended item

PE 35994	WWII German Pz.Kpfz.IV Ausf.F-H Fenders
PE 35680	WWII German Sd.Kfz. 164 Nashorn (Gun barrel Include)
PE 35681	WWII German Sd.Kfz. 164 Nashorn Armour Plate/Fenders
PE 35570	WWII German FlakPanzer IV Ostwind (Gun barrel Includ)
PE 351012	WWII German Sd.Kfz.165 Hummel Late Production Basic
PE 351013	WWII German Sd.Kfz.165 Hummel Armour Plate/Fenders



微博公众号
Weibo official or code

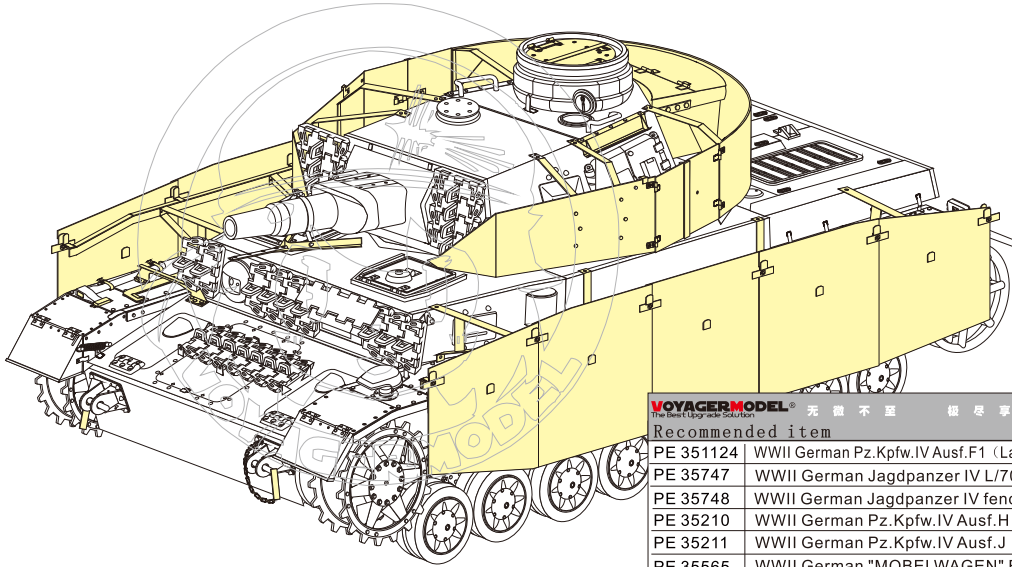


官方淘宝
The official taobao



微信公众号
Wechat official or code

1/35 MILITARY MINIATURE VEHICLE UPGRADE SERIES PE351124

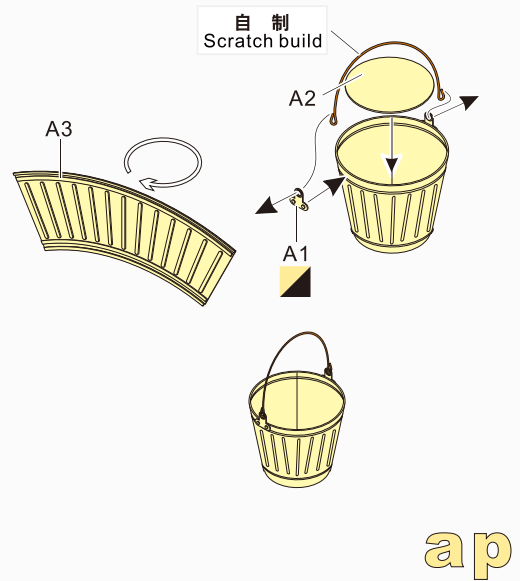
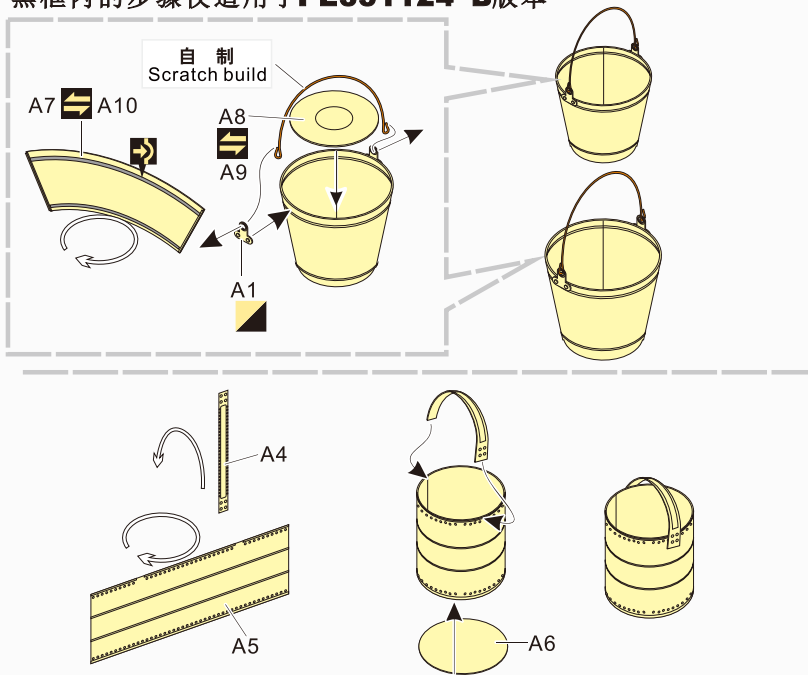


VOYAGERMODEL® 无微不至 极致享受
The Best Upgrade Solution

Recommended item

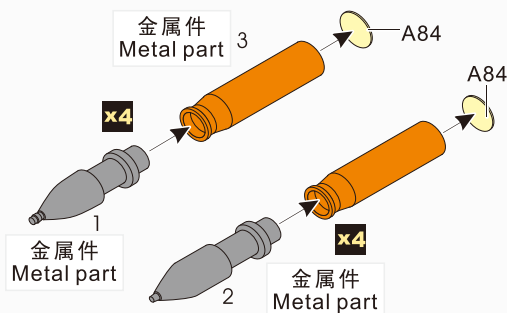
PE 351124	WWII German Pz.Kpfw.IV Ausf.F1 (Late Production) Basic (B ver included Ammo)
PE 35747	WWII German Jagdpanzer IV L/70(V) basic
PE 35748	WWII German Jagdpanzer IV fenders
PE 35210	WWII German Pz.Kpfw.IV Ausf.H
PE 35211	WWII German Pz.Kpfw.IV Ausf.J
PE 35565	WWII German "MOBELWAGEN" Fenders
PE 35569	WWII German Sd.Kfz.161/3 37mm Flak Auf Fgst.Pz.Kpfw. IV(Sf) "MOBELWAGEN"
PE 35922	WWII German Sturmpanzer IV Brummbär Late Version Basic

THE STEPS IN THE BLACK BOX APPLY FOR PE351124 B VERSION
黑框内的步骤仅适用于**PE351124 B版本**










ap

WWII German 75mm KwK 37/StuK 37 Ammunition
二战德军75mm KwK37/StuK37火炮用炮弹



Also fit for

-  Pz Kpfw IV Ausf. A-E
-  Pz Kpfw III Ausf. N
-  StuG III Ausf. A-E
-  Sd.Kfz. 234/3
-  Sd.Kfz. 251/9 Ausf. C-D
-  Sd.Kfz. 250/8
-  Aufklarungspanzer 38(t) mit 75mm Kw.K