

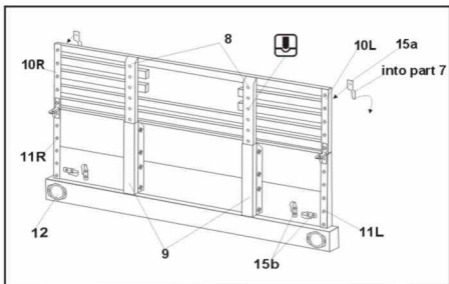
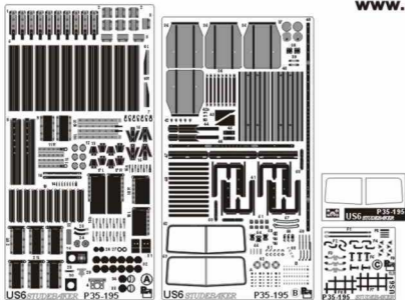
PartELEMENTY FOTOTRAWIONE
DO MODELI PLASTIKOWYCH

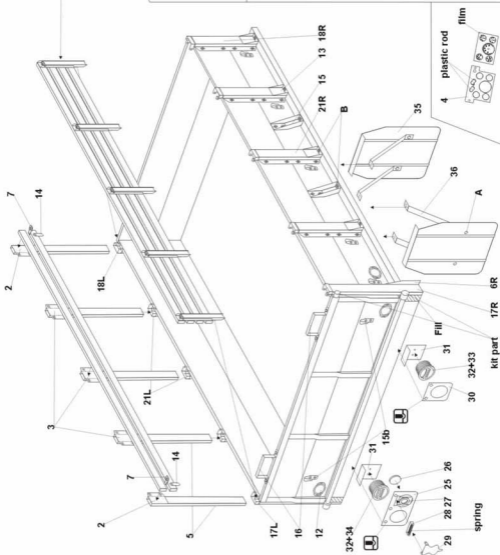
DETAIL SET FOR PLASTIC KIT

P35-195

US6
STUDEBAKER

1:35 scale detail set for ICM kit

Part (0-42) 640-40-76
www.part.pl



cab floor details

