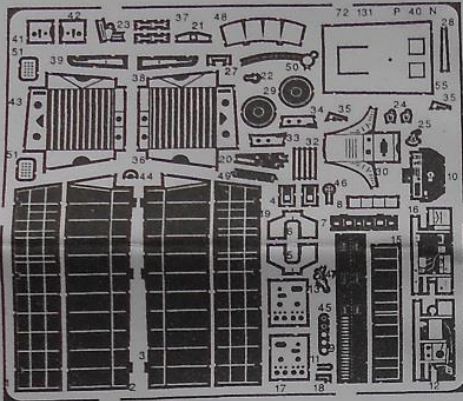




Curtiss P-40 N Warhawk

1/72 scale detail set for Hasegawa kit

72 131



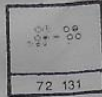
- OPPOSITE SIDE
- REMOVE
- BEND

CAUTION !

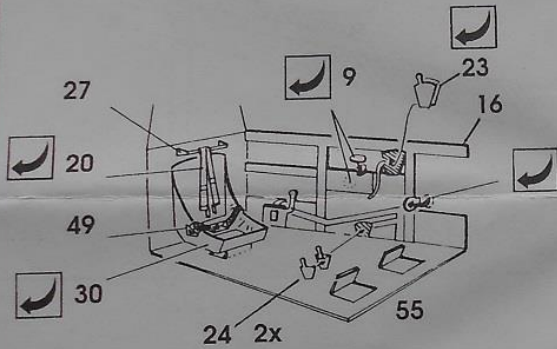
PHOTO ETCHED PARTS CAN ONLY BE GLUED WITH CYANOACRYLATE GLUE. WORK IN A WELL VENTILATED AREA. DO NOT INHALE VAPORS SINCE THESE CAN BE HARMFUL. WASH YOUR HANDS AFTER USING. FIND A DOCTOR ON AN

POZOR !

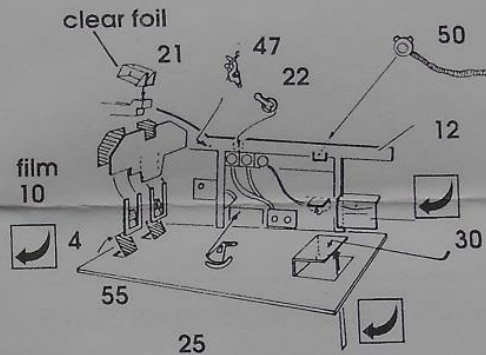
KOVĚ DÍLY LZE LEPIT POUZE KYANOAKRYLATOVÝMI LEPIDLY. PRACUJTE V DOBRĚ VĚTRANÉ MÍSTNOSTI, VYVARUJTE SE STYKU POKOŽKY S LEPIDLEM A INHALOVÁNÍ VYPARŮ. PŘI NEVOLNOSTI VYHLEDEJTE



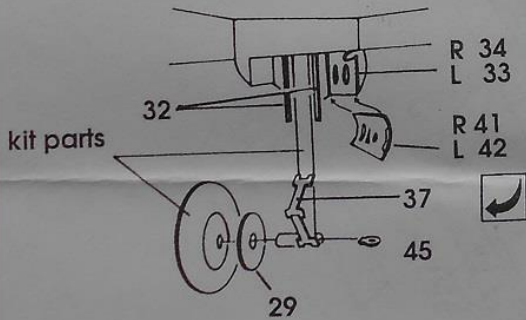
LEFT COCKPIT PANEL AND BACK SIDE



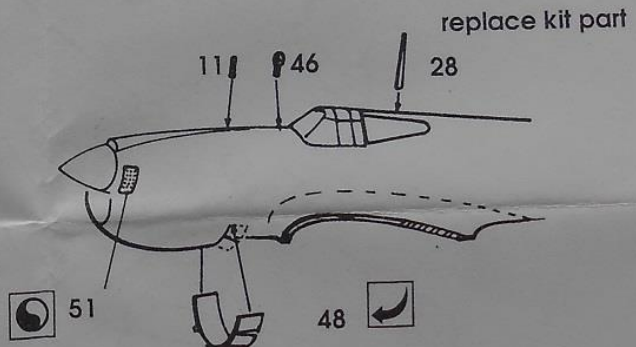
RIGHT COCKPIT PANEL AND FRONT SIDE



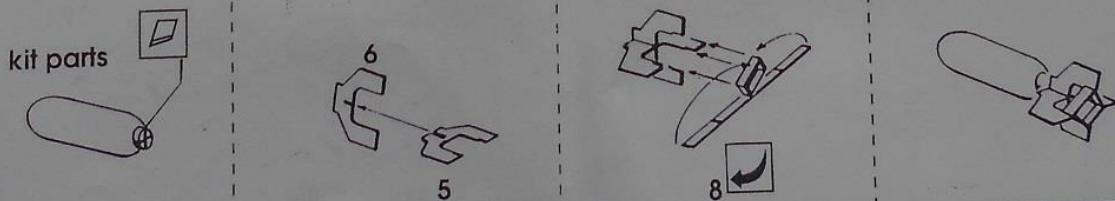
UNDERCARRIAGE STRUT



EXTERIOR DETAILS

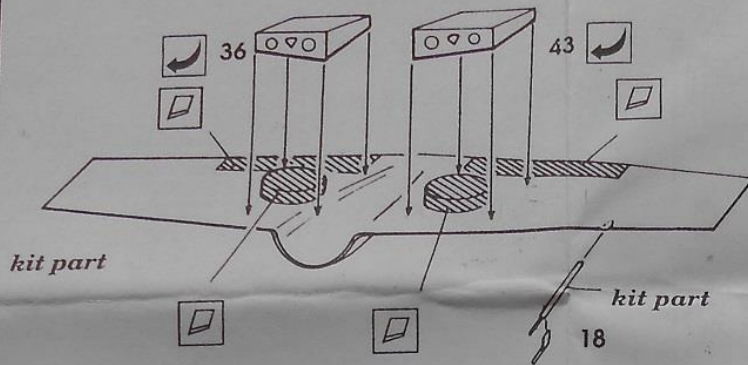


BOMB WING ASSEMBLY

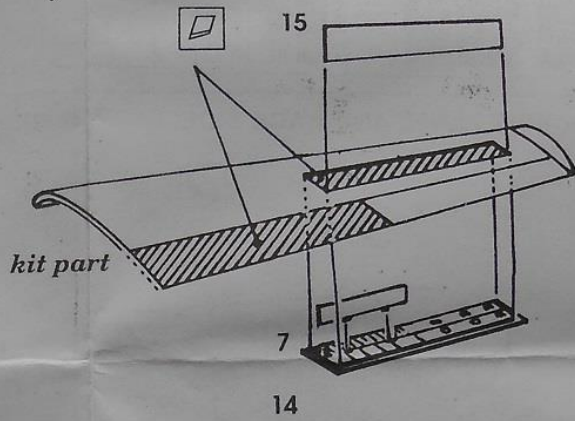


Czech made

WHEEL WELLS AND LANDING FLAPS



AMMUNITION BELTS



WHEEL WELLS AND LANDING FLAPS

