

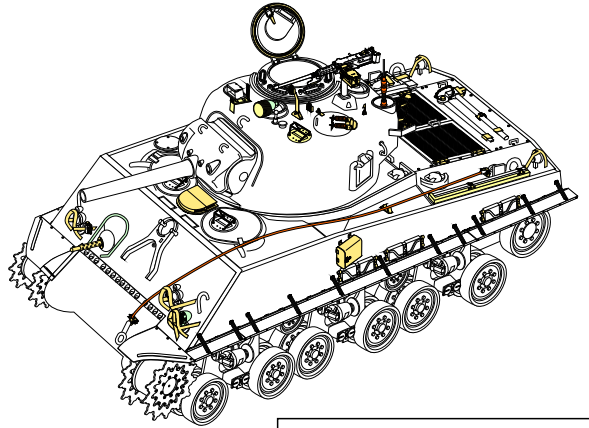
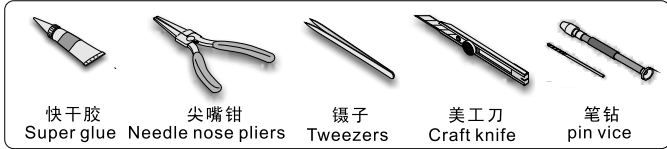
1/35 MILITARY MINIATURE VEHICLE UPGRADE SERIES PE35911

# Russian T-54-1 Medium Tank basic

现代俄罗斯T-54-1型主战坦克改造基本件

[For MINIART 37003 37014]

■ 推荐使用工具 RECOMMENDED TOOLS



- 安装  
install
- 折叠  
bend
- A1**

改造件零件编号  
PE/resin part number
- B12**

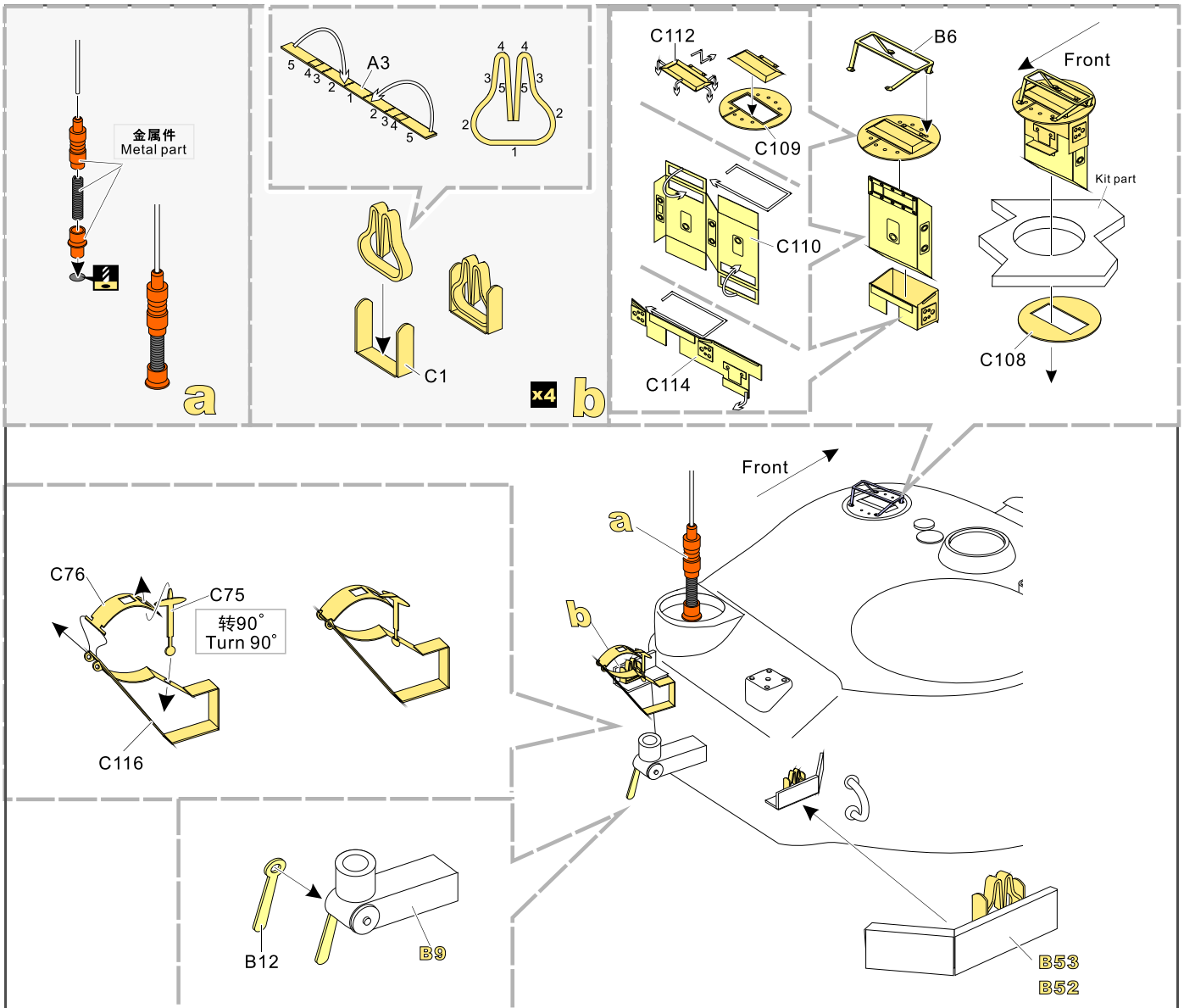
原零件编号  
kit part number
- C22**

被替换的原零件编号  
replaced kit part number
- 另一侧相同制作  
repeat on opposite side
- 切除  
remove
- 打磨  
grind off
- 弧度卷曲  
radial bending
- x2**

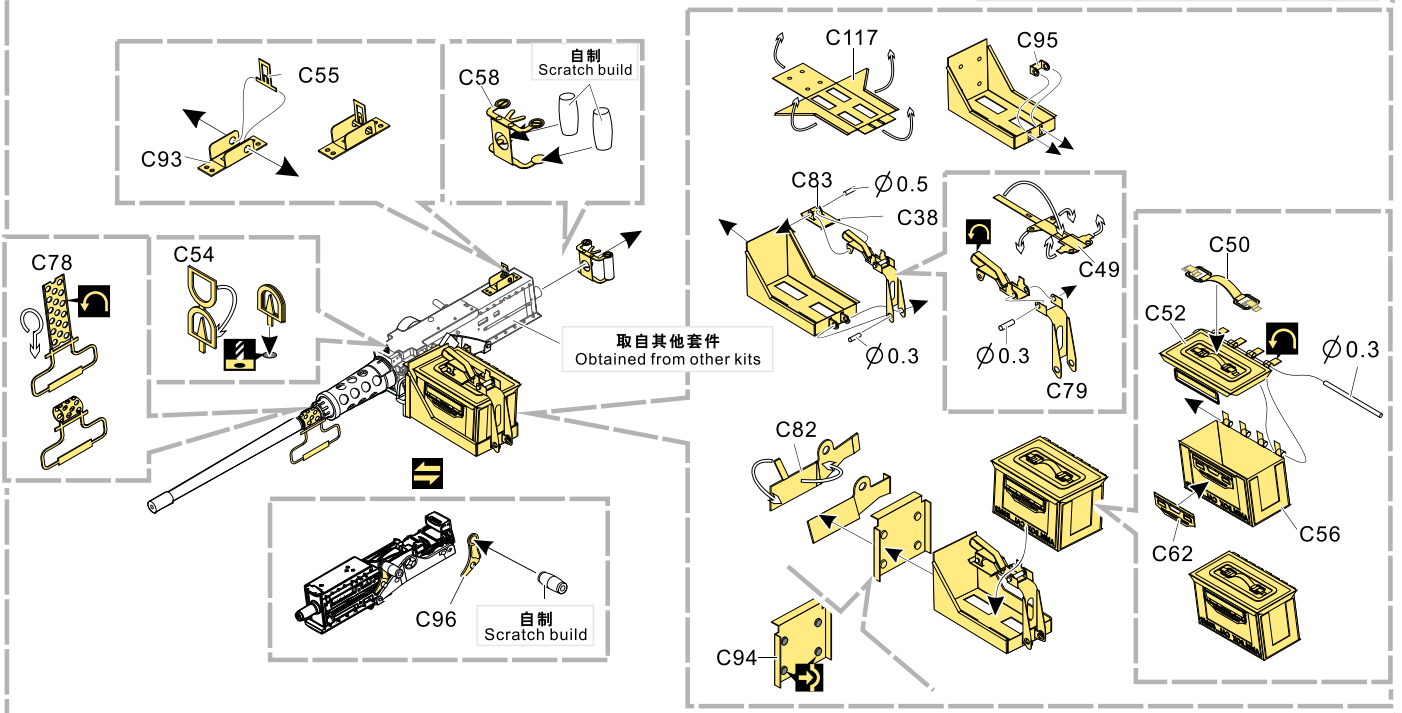
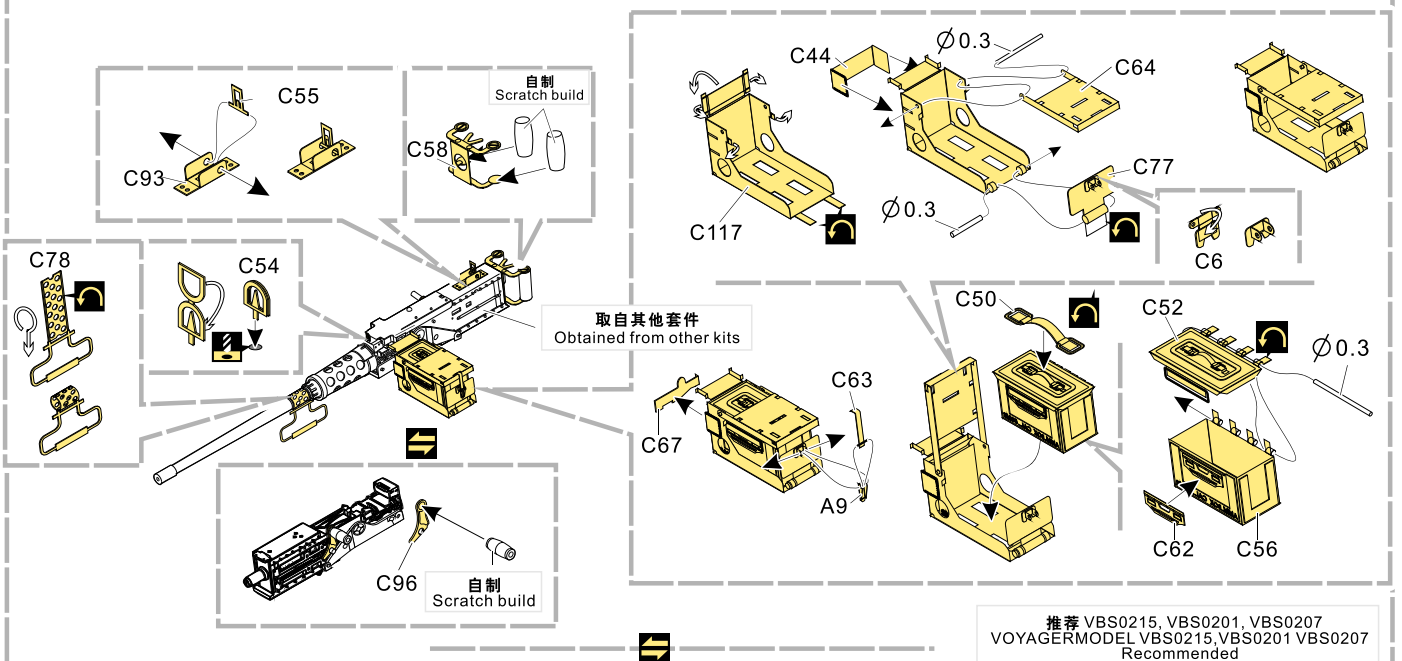
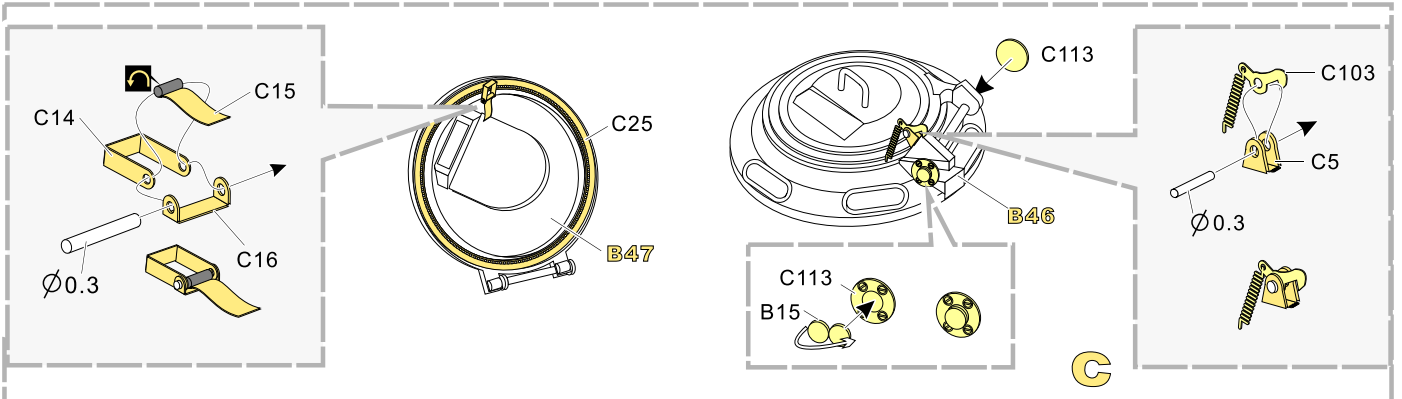
制作若干组  
multiple assembly
- 选择安装  
alternative
- 钻孔  
drill
- 注意  
caution

用尖端在凹槽处冲压  
use penpoint to press on the dent

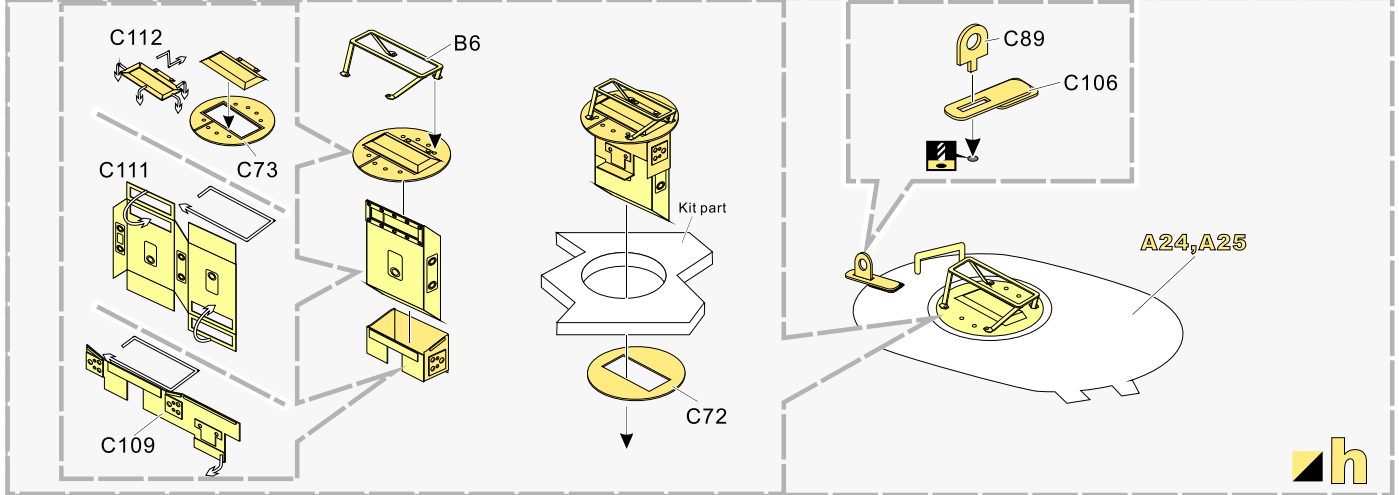
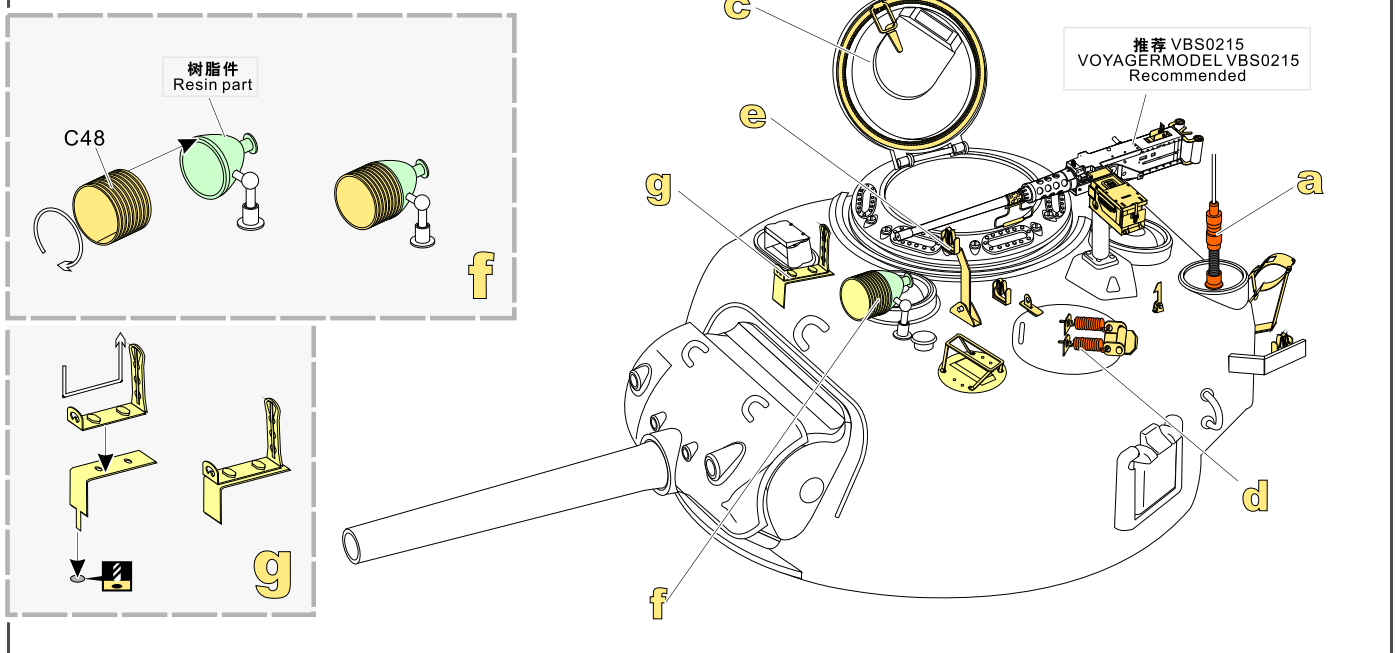
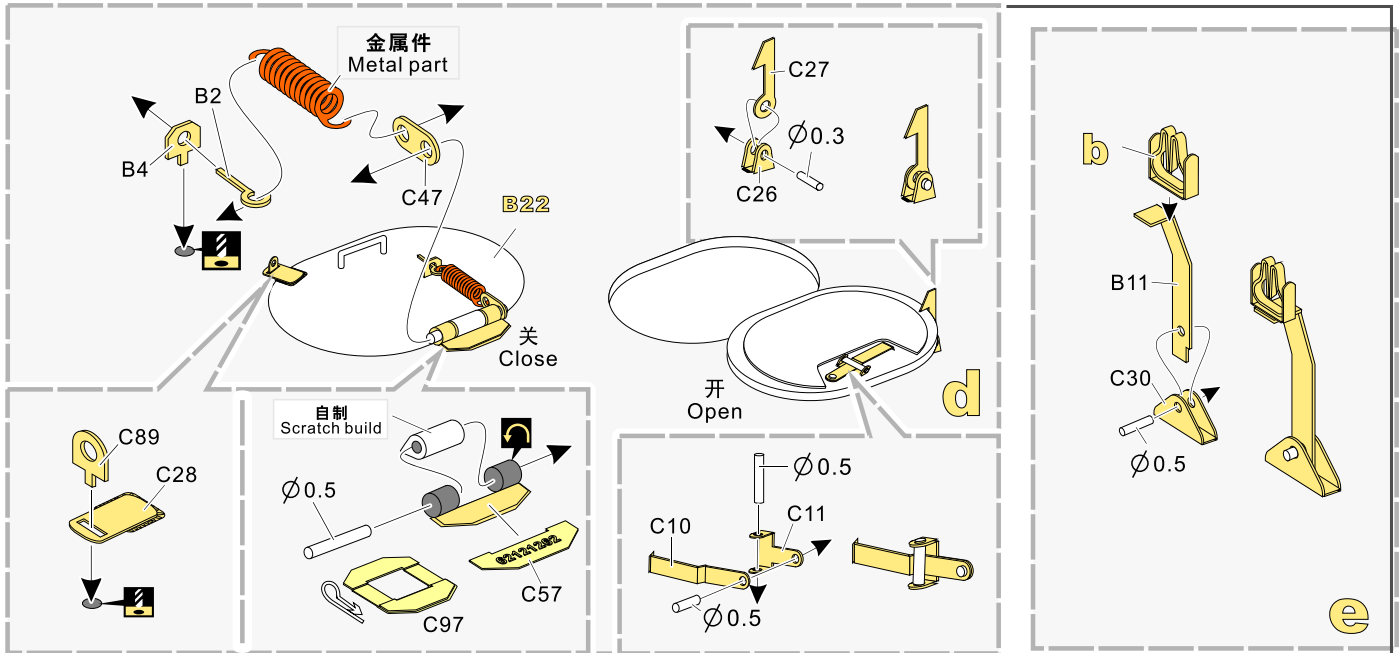
蚀刻片零件内朝面向上  
Put the part upside down  
用笔尖在凹槽处刺  
Use penpoint to press on the dent



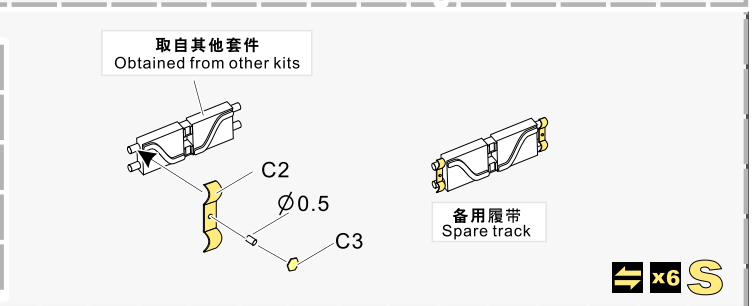
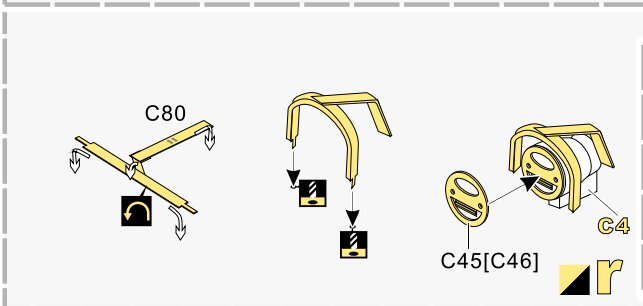
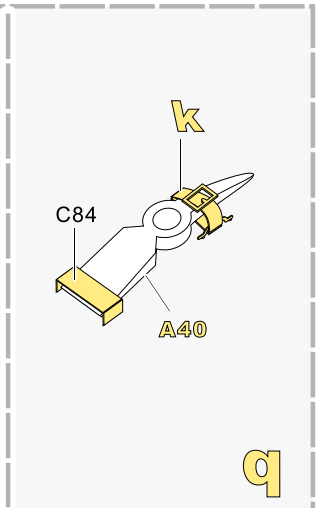
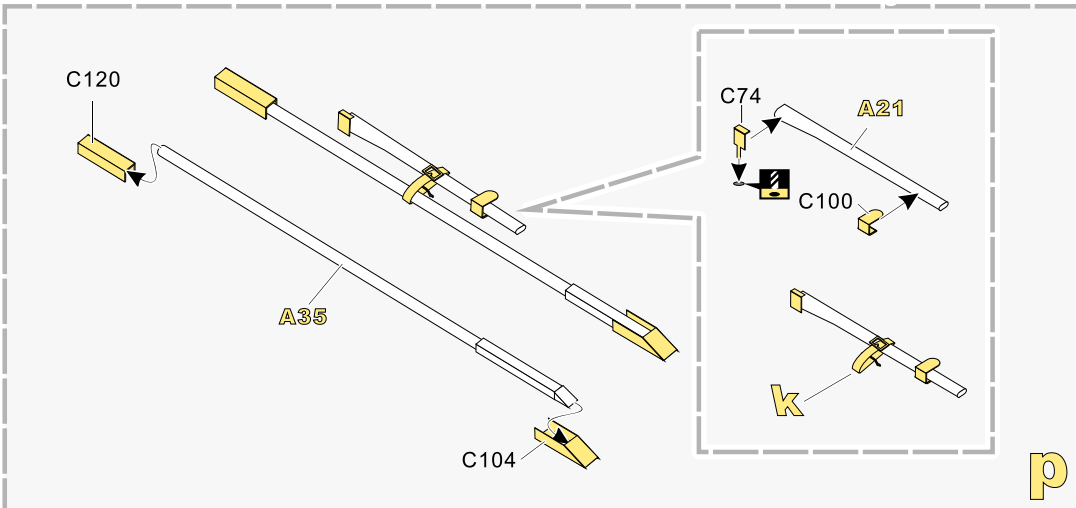
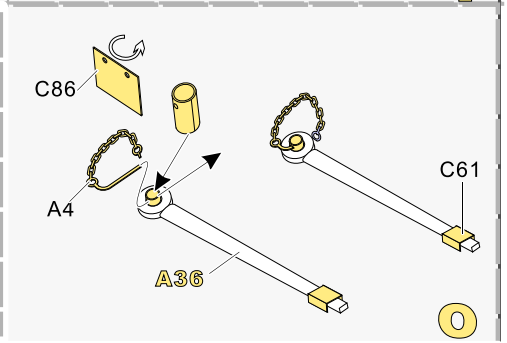
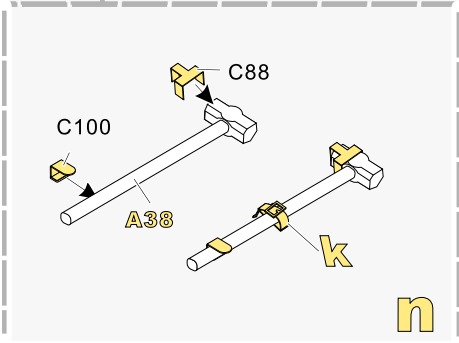
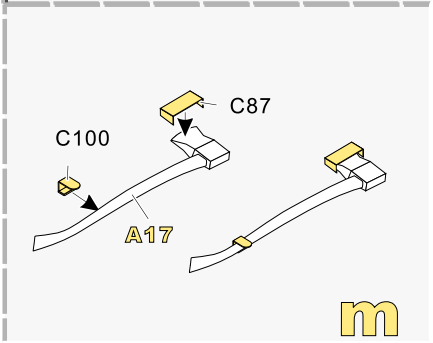
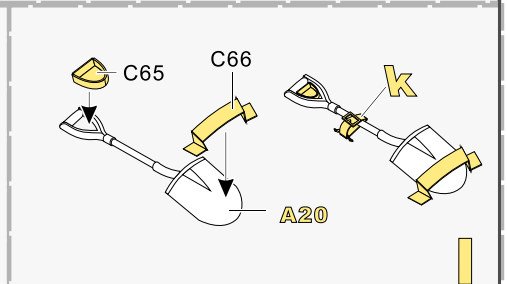
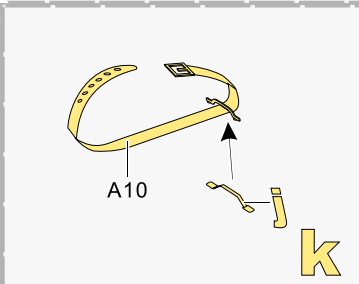
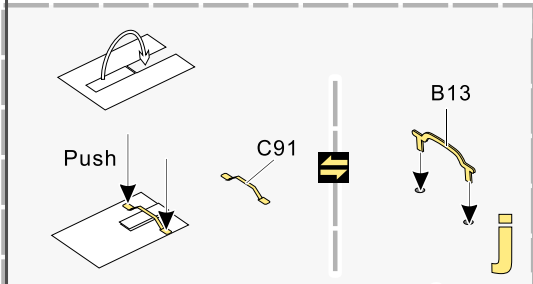
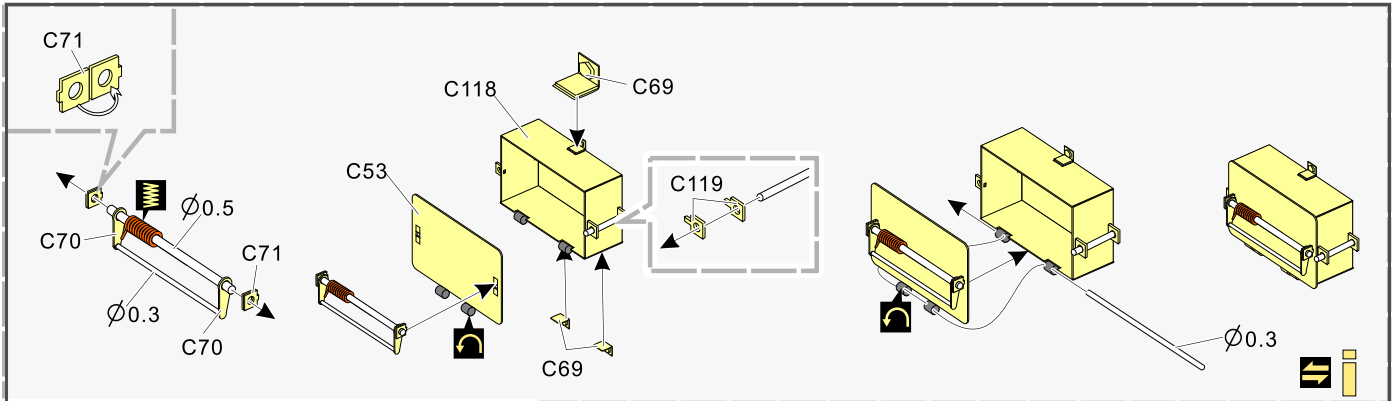
1/35 MILITARY MINIATURE VEHICLE UPGRADE SERIES PE35911



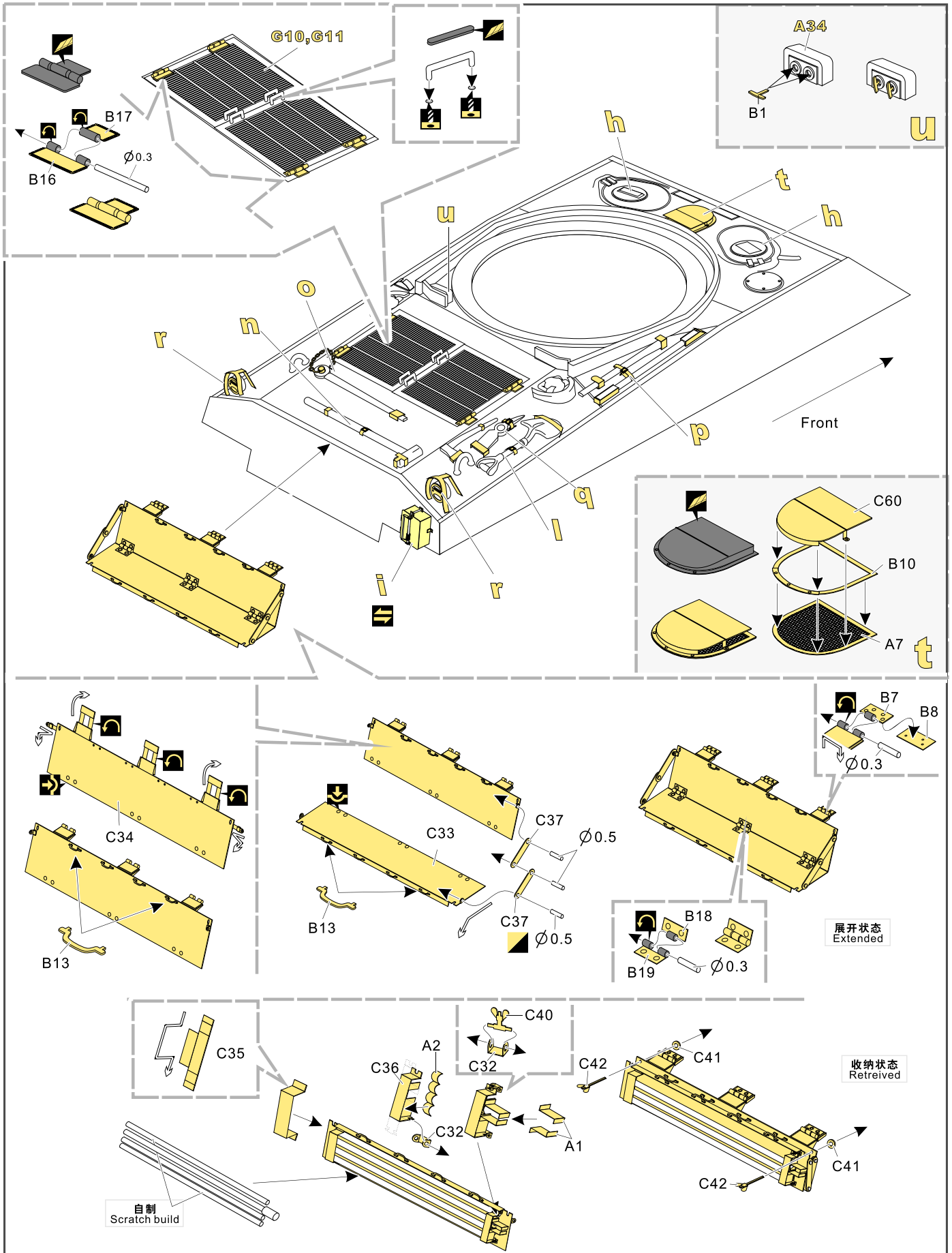
1/35 MILITARY MINIATURE VEHICLE UPGRADE SERIES PE35911



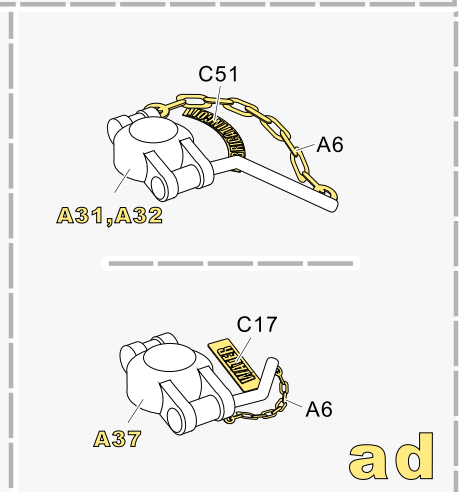
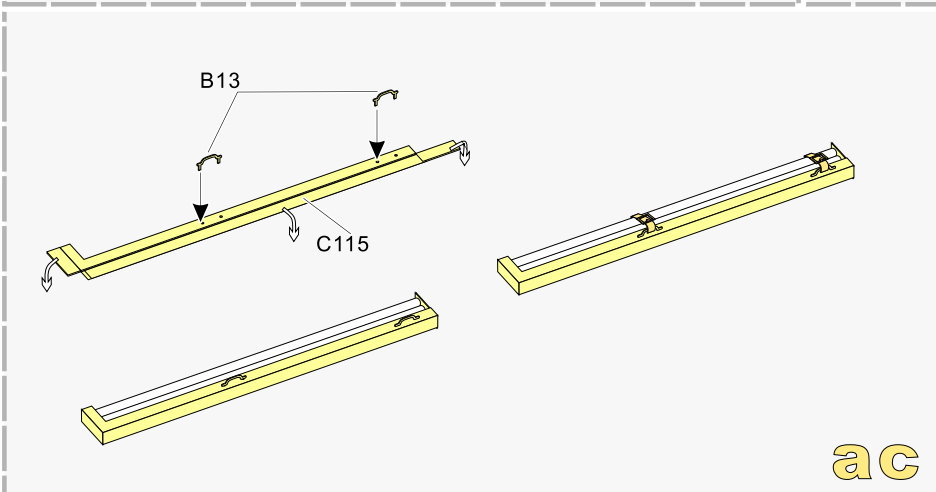
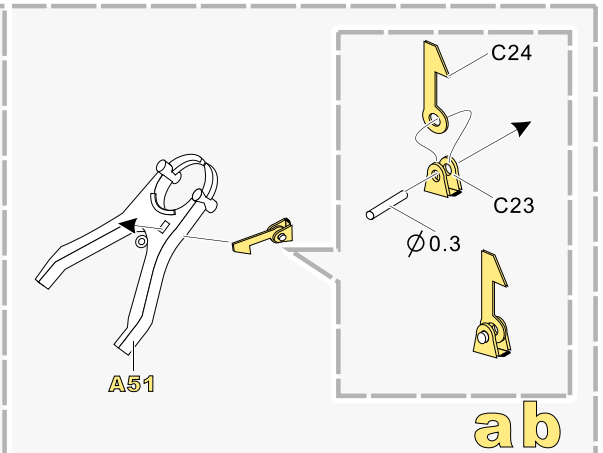
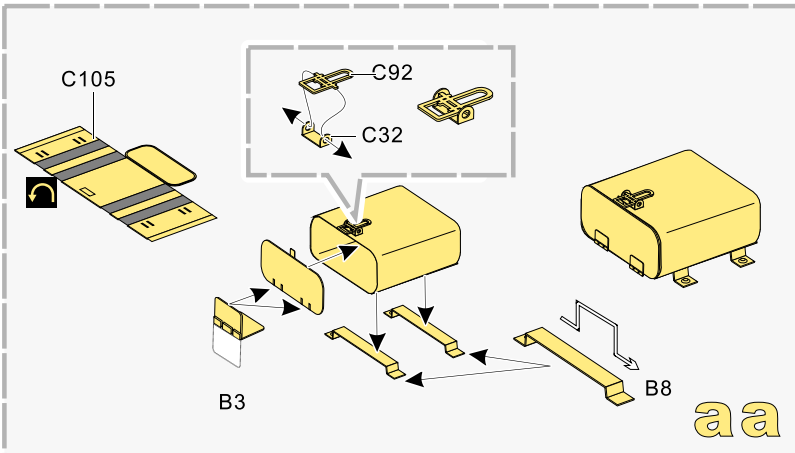
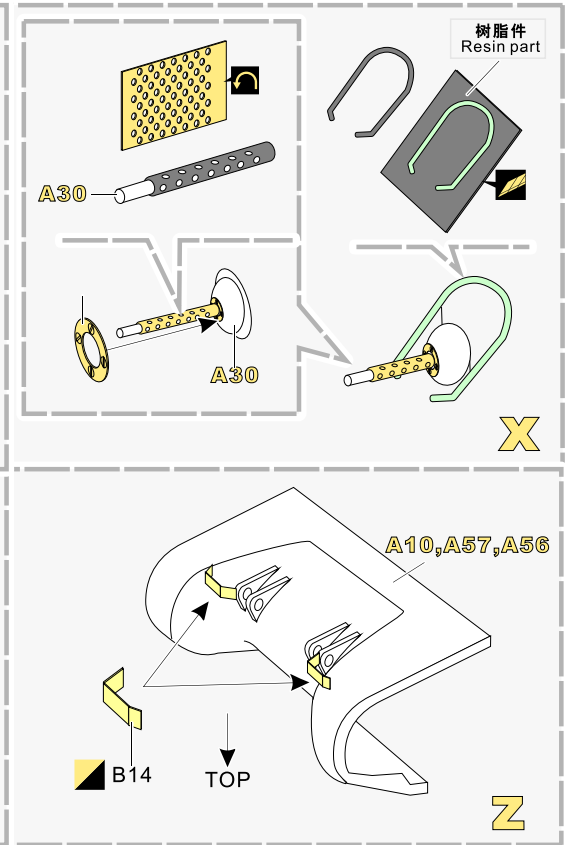
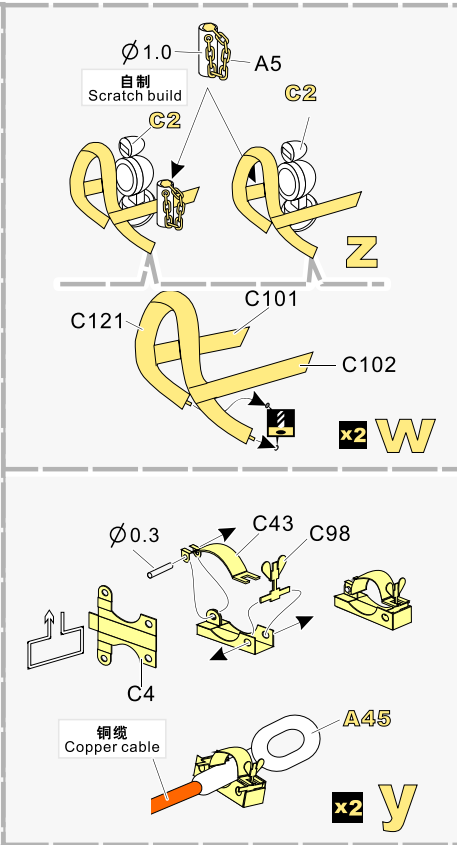
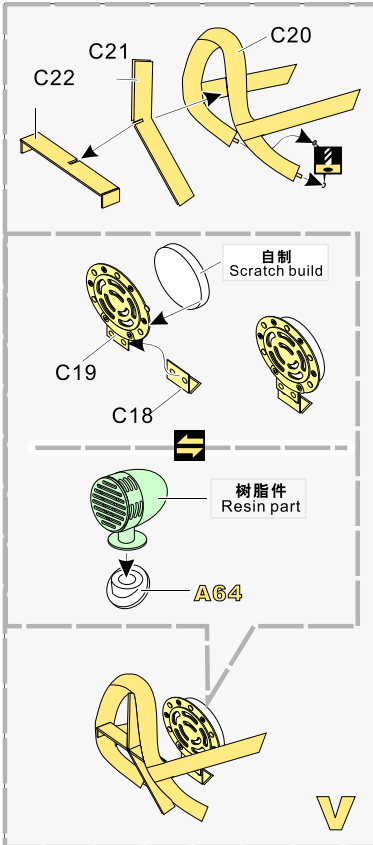
1/35 MILITARY MINIATURE VEHICLE UPGRADE SERIES PE35911



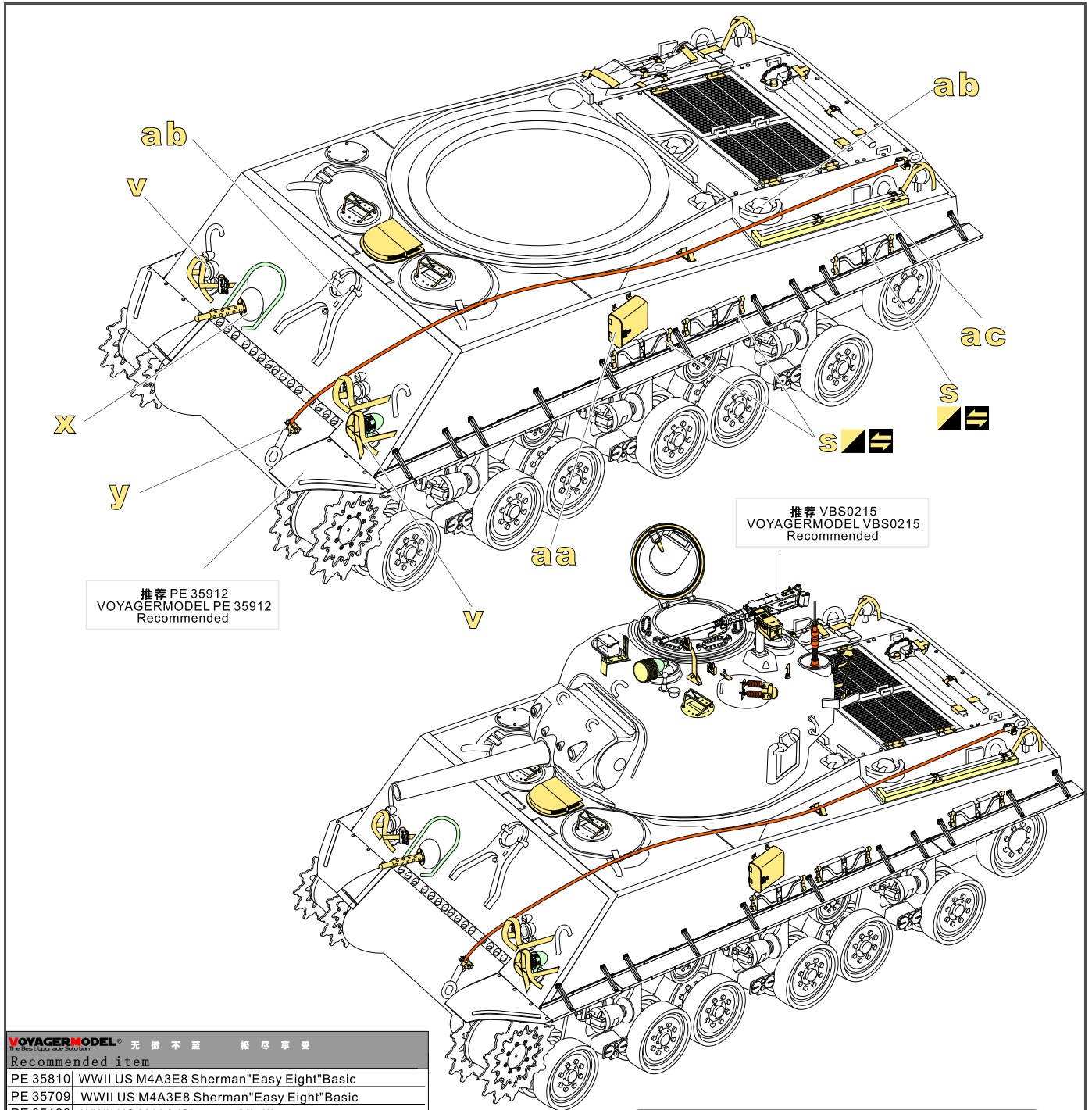
1/35 MILITARY MINIATURE VEHICLE UPGRADE SERIES PE35911



1/35 MILITARY MINIATURE VEHICLE UPGRADE SERIES PE35911



1/35 MILITARY MINIATURE VEHICLE UPGRADE SERIES PE35911

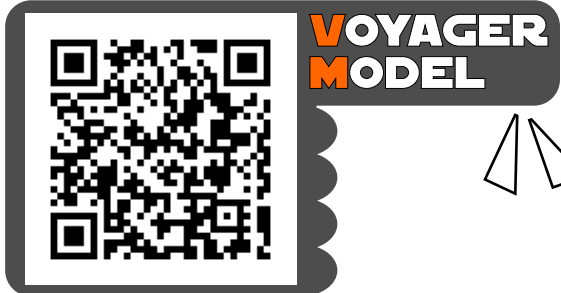
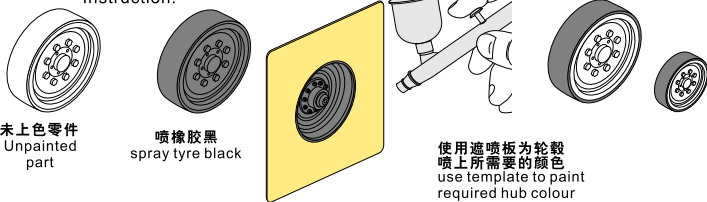


VOYAGERMODEL® 无微不至 极致享受  
The Best Upgrade Solution

Recommended item

PE 35810	WWII US M4A3E8 Sherman "Easy Eight" Basic
PE 35709	WWII US M4A3E8 Sherman "Easy Eight" Basic
PE 35139	WWII US M4A2 / Sherman Mk-III
PE 35208	WWII US M4A1 Mid Version
PE 35148	WWII UK Sherman VC Firefly
PE 35306	WWII US army M4/M4 DV mid tank
PE 35251	WWII USMC M4A2 Mid Tank Late Version PTO

漏喷板使用说明:  
Instruction:



更多PE35911样品照片参考请扫一扫  
MORE PICTUER OF PE 35911  
REFERENCE SCAN HERE