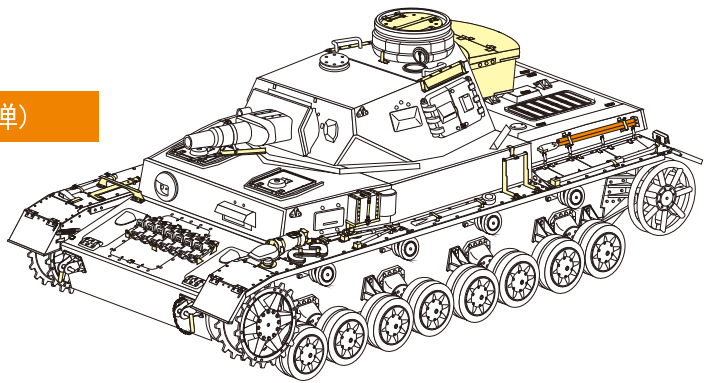


1/35 MILITARY MINIATURE VEHICLE UPGRADE SERIES PE351123

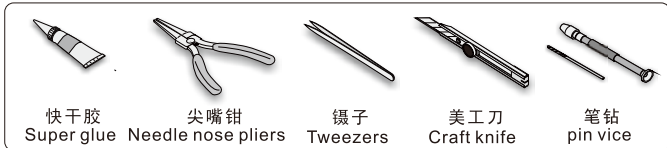
WWII German Pz.Kpfw.IV Ausf.F1 Basic (B ver included Ammo)











二战德军IV号坦克F1型基本改造件(B版本含炮弹)


[For TAMIYA 35374]



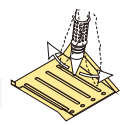
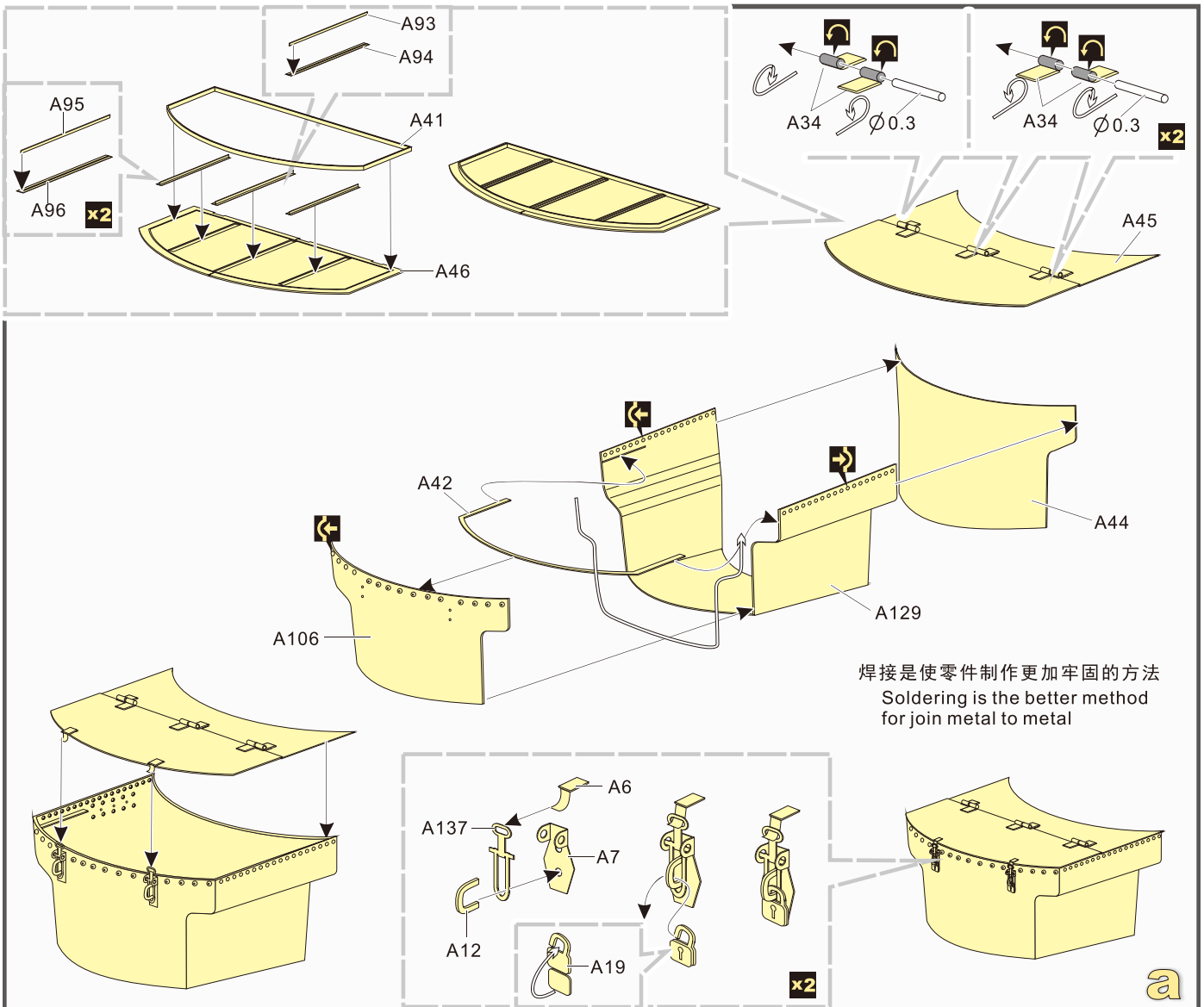
■ 推荐使用工具 RECOMMENDED TOOLS



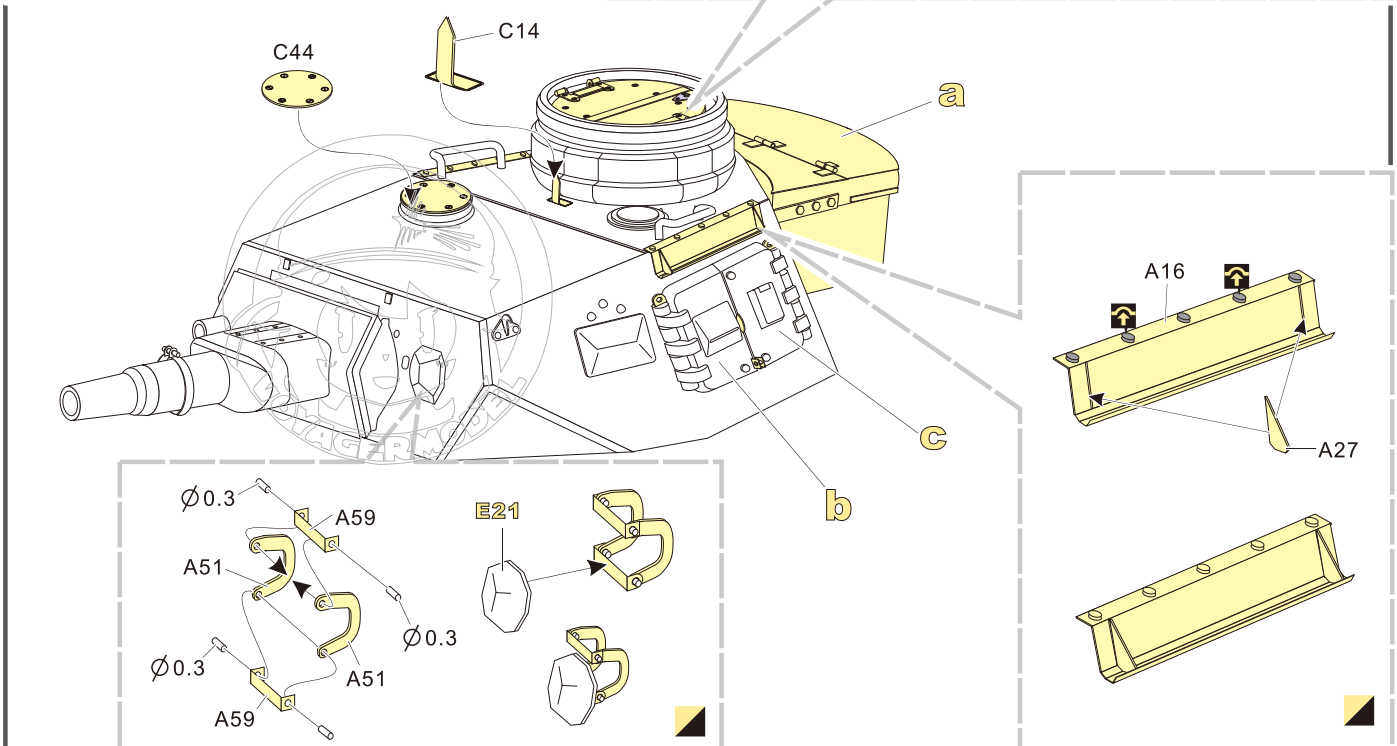
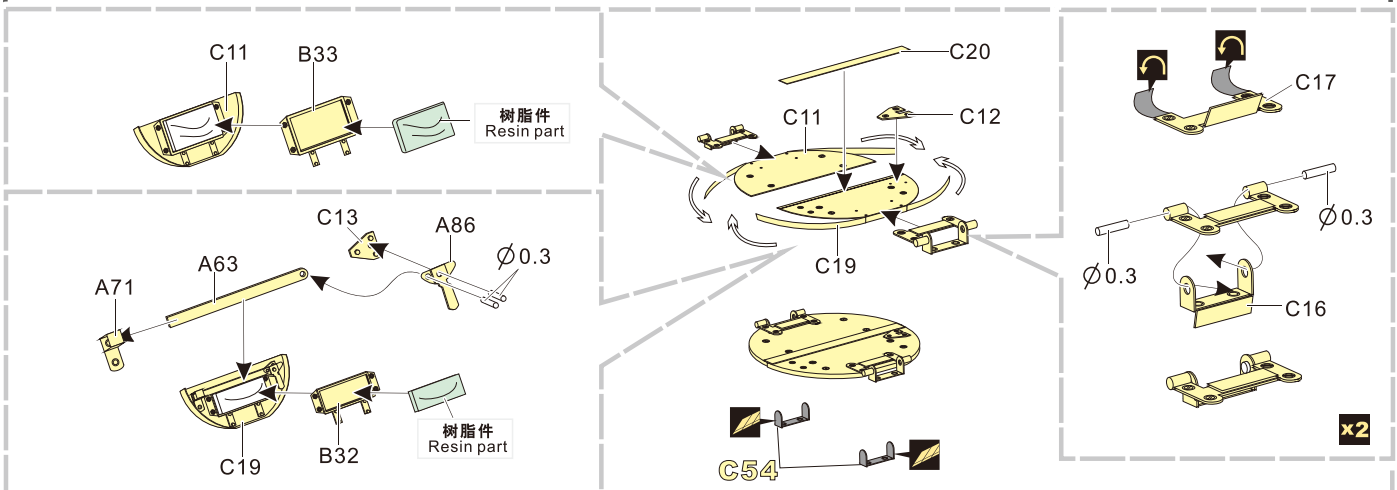
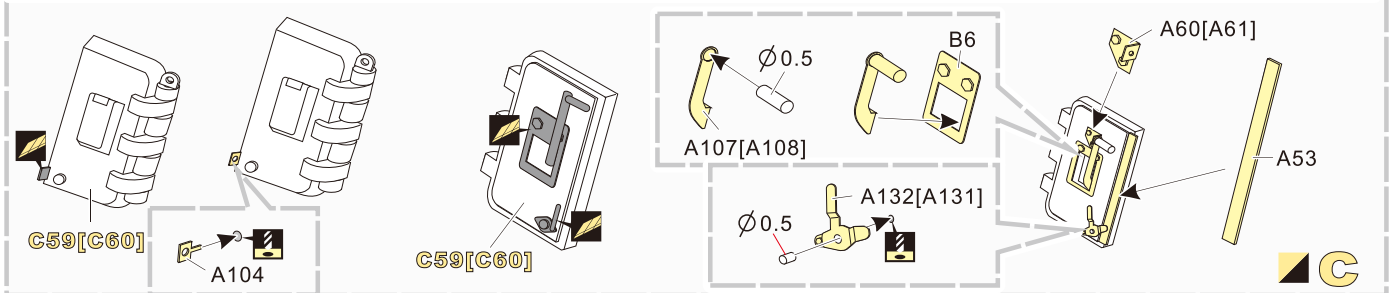
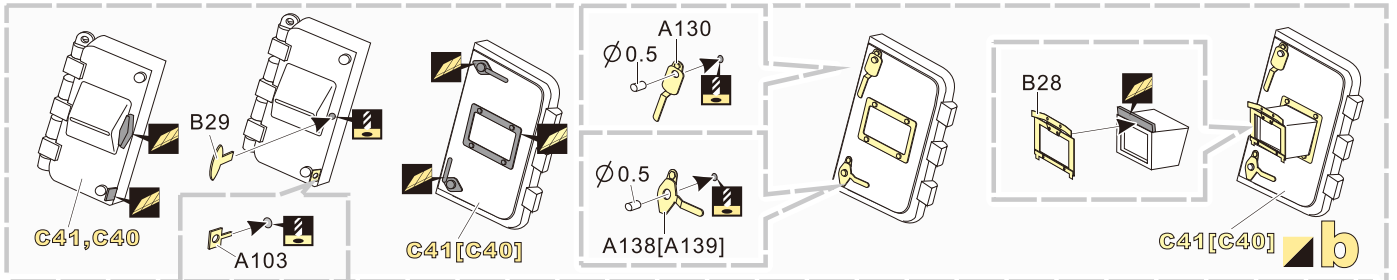
- 
安装
install
- 
折叠
bend
- A1**
改造件零件编号
PE/resin part number
- B12**
原零件编号
kit part number
- C22**
被替换的原零件编号
replaced kit part number
- 
 另一侧相同制作
repeat on opposite side
- 
切除
remove
- 
打磨
grind off
- 
弧度卷曲
radial bending
- 
制作若干组
multiple assembly
- 
选择安装
alternative
- 
钻孔
drill
- 
用胶棒制作
make from plastic rod


 用尖端在凹槽处冲压
use penpoint to press on the dent

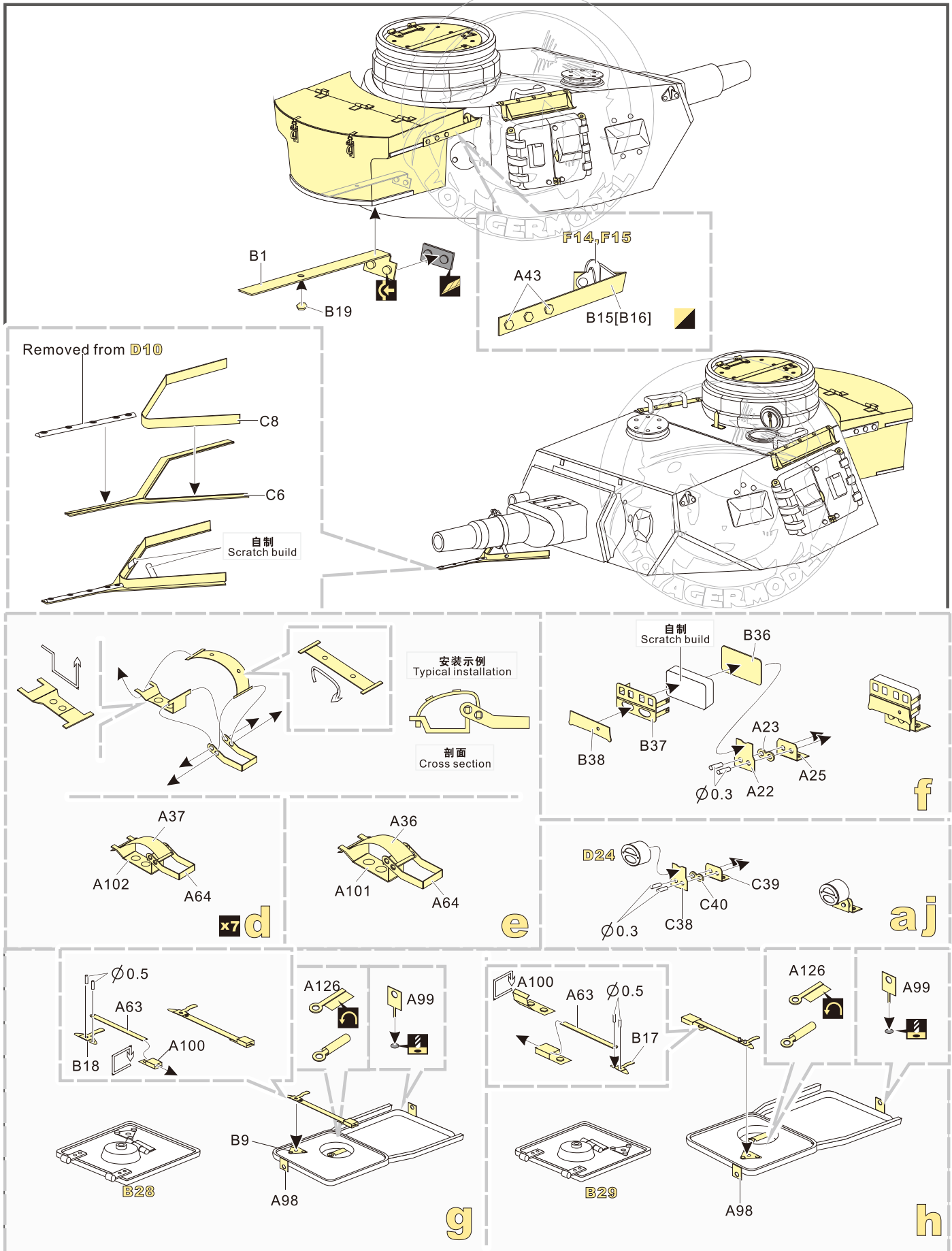
蚀刻片零件内侧面向上
Put the part upside down
用笔尖在凹槽处刻
Use penpoint to press on the dent

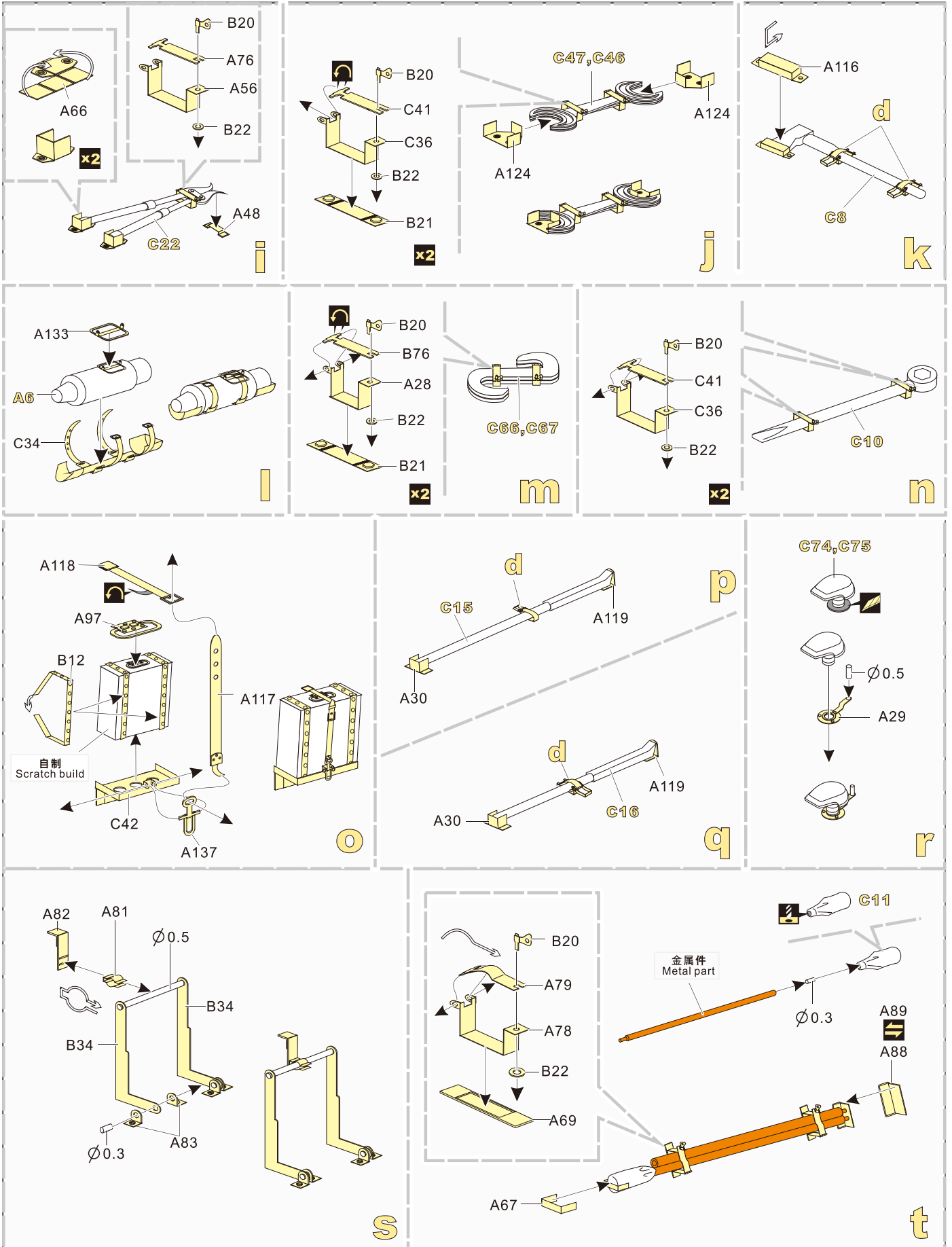
1/35 MILITARY MINIATURE VEHICLE UPGRADE SERIES PE351123



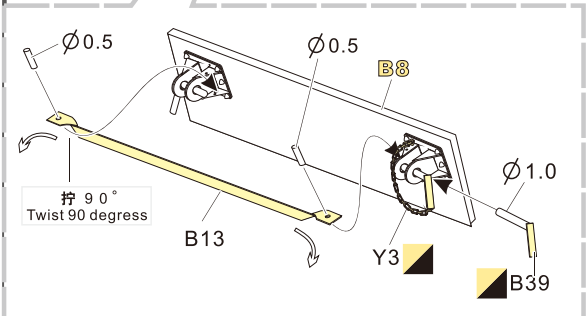
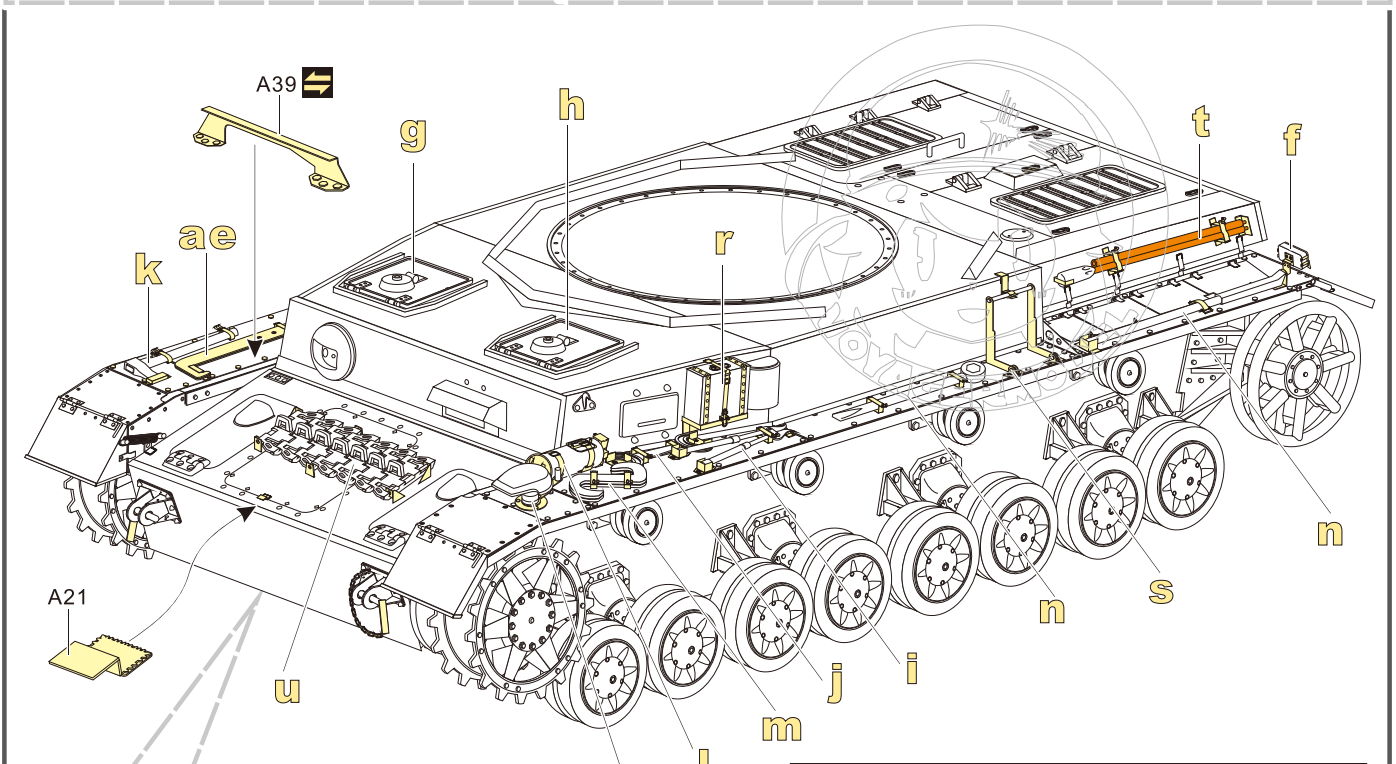
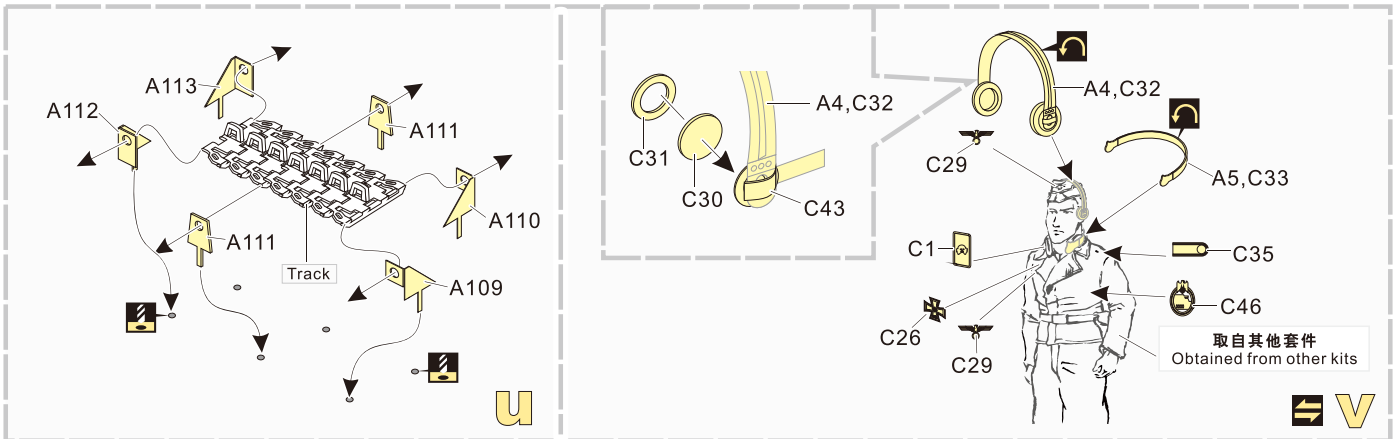
1/35 MILITARY MINIATURE VEHICLE UPGRADE SERIES PE351123



1/35 MILITARY MINIATURE VEHICLE UPGRADE SERIES PE351123



1/35 MILITARY MINIATURE VEHICLE UPGRADE SERIES PE351123



VOYAGERMODEL® 无微不至 极尽享受
The Best Upgrade Solution

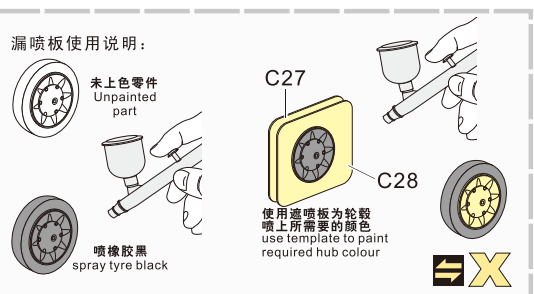
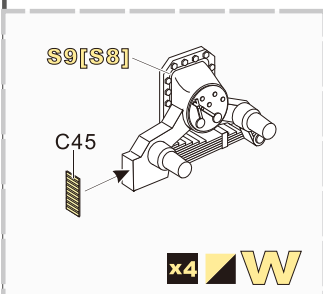
Recommended item

PE 35994	WWII German Pz.Kpfw.IV Ausf.F-H Fenders
PE 35680	WWII German Sd.Kfz. 164 Nashorn (Gun barrel Include)
PE 35681	WWII German Sd.Kfz. 164 Nashorn Amour Plate/Fenders
PE 35570	WWII German FlakPanzer IV Ostwind (Gun barrel Includ)
PE 351012	WWII German Sd.Kfz.165 Hummel Late Production Basic
PE 351013	WWII German Sd.Kfz.165 Hummel Amour Plate/Fenders

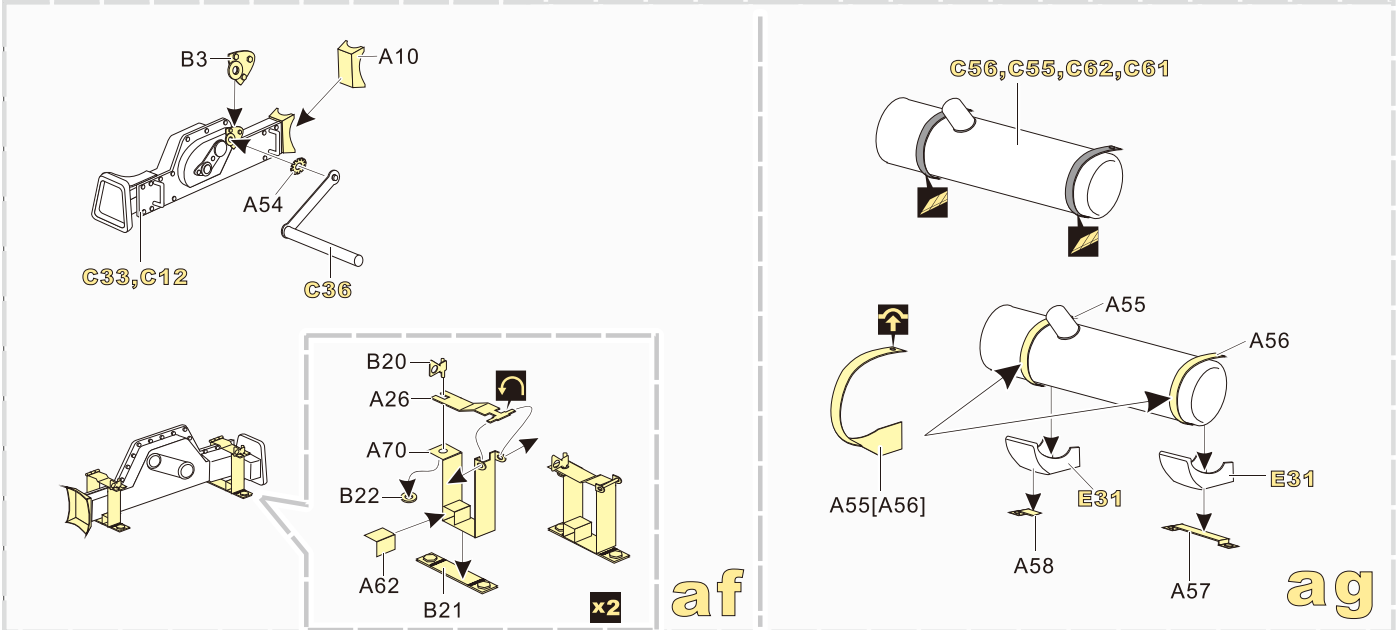
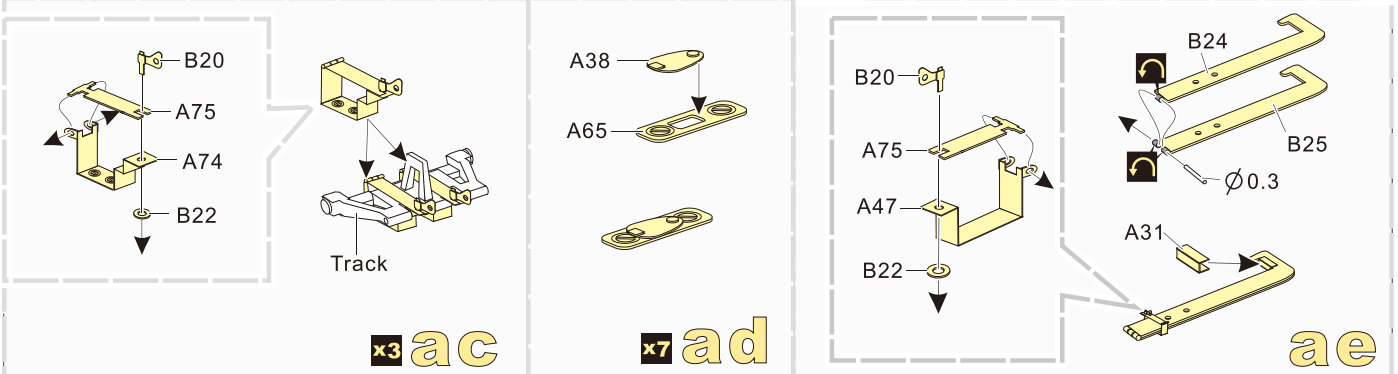
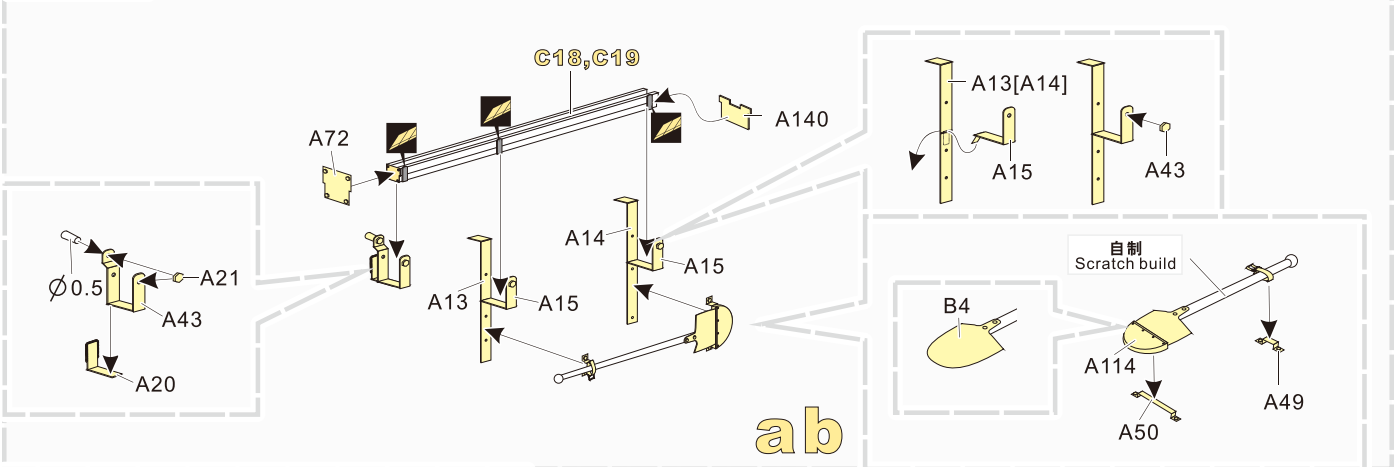
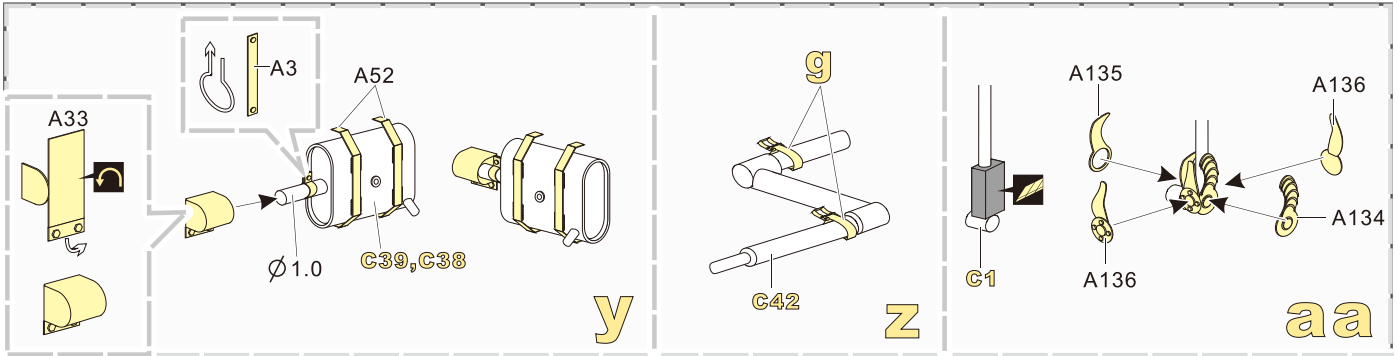
<http://www.voyagermodel.com/productdetails.asp?itemid=PE351123>



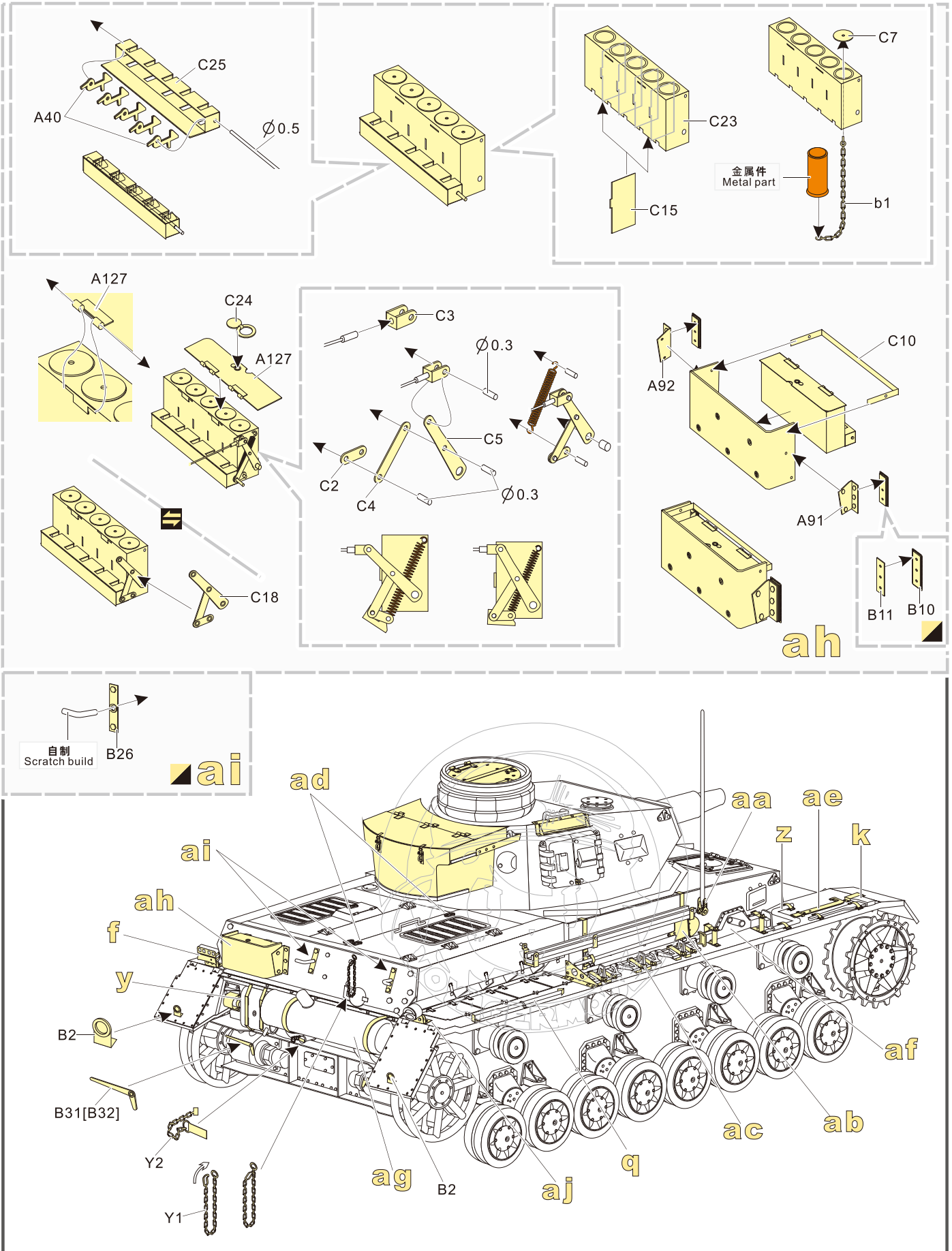
更多PE351123样品照片参考请扫一扫
MORE PICTUER OF PE 351123
REFERENCE SCAN HERE



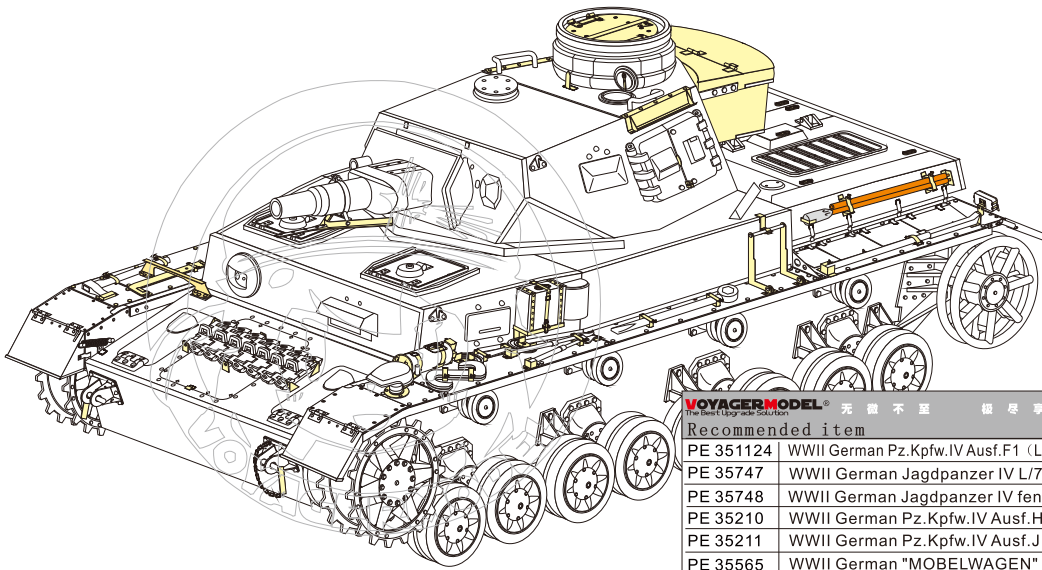
1/35 MILITARY MINIATURE VEHICLE UPGRADE SERIES PE351123



1/35 MILITARY MINIATURE VEHICLE UPGRADE SERIES PE351123



1/35 MILITARY MINIATURE VEHICLE UPGRADE SERIES PE351123

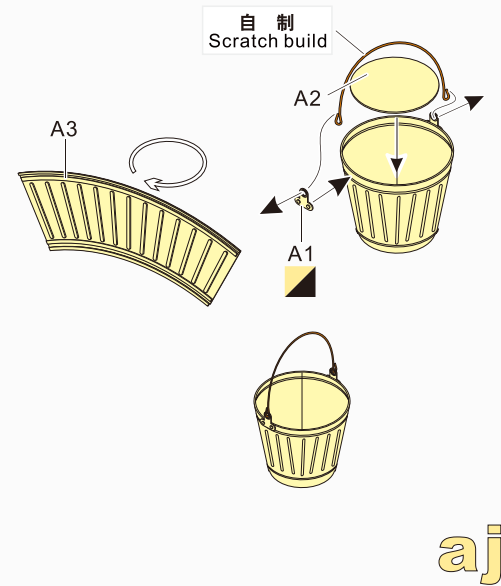
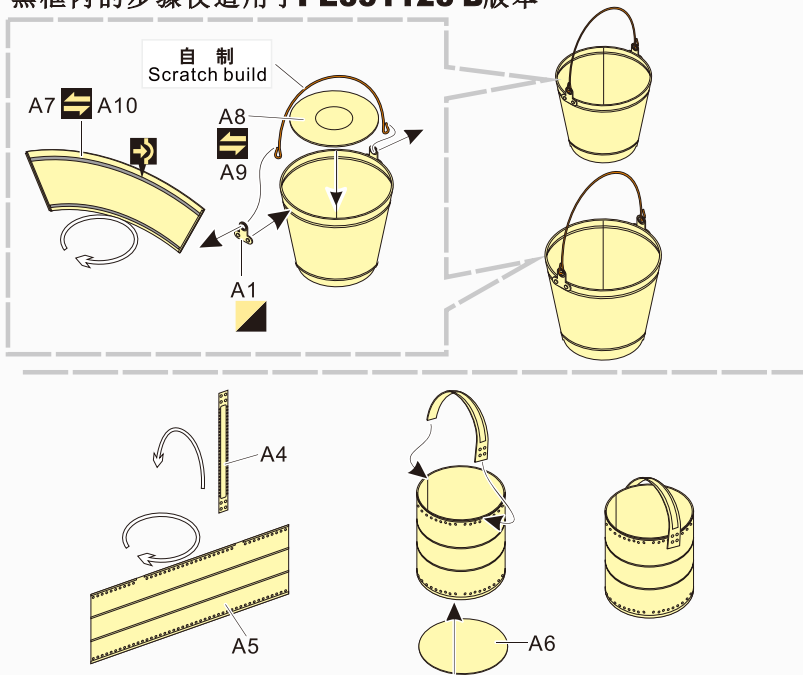


VOYAGERMODEL® 无微不至 极致享受

Recommended item

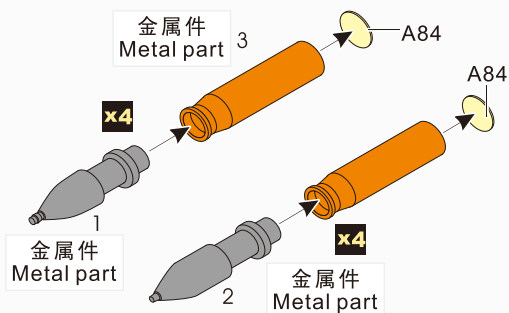
PE 351124	WWII German Pz.Kpfw.IV Ausf.F1 (Late Production) Basic (B ver included Ammo)
PE 35747	WWII German Jagdpanzer IV L/70(V) basic
PE 35748	WWII German Jagdpanzer IV fenders
PE 35210	WWII German Pz.Kpfw.IV Ausf.H
PE 35211	WWII German Pz.Kpfw.IV Ausf.J
PE 35565	WWII German "MOBELWAGEN" Fenders
PE 35569	WWII German Sd.Kfz.161/3 37mm Flak Auf Fgst.Pz.Kpfw. IV(Sf) "MOBELWAGEN"
PE 35922	WWII German Sturmpanzer IV Brumbar Late Version Basic

THE STEPS IN THE BLACK BOX APPLY FOR PE351123 B VERSION
黑框内的步骤仅适用于**PE351123 B**版本









aj

WWII German 75mm KwK 37/StuK 37 Ammunition
二战德军75mm KwK37/StuK37火炮用炮弹



Also fit for

-  Pz Kpfw IV Ausf. A-E
-  Pz Kpfw III Ausf. N
-  StuG III Ausf. A-E
-  Sd.Kfz.234/3
-  Sd.Kfz.251/9 Ausf.C-D
-  Sd.Kfz.250/8
-  Aufklarungspanzer 38(t) mit 75mm Kw.K