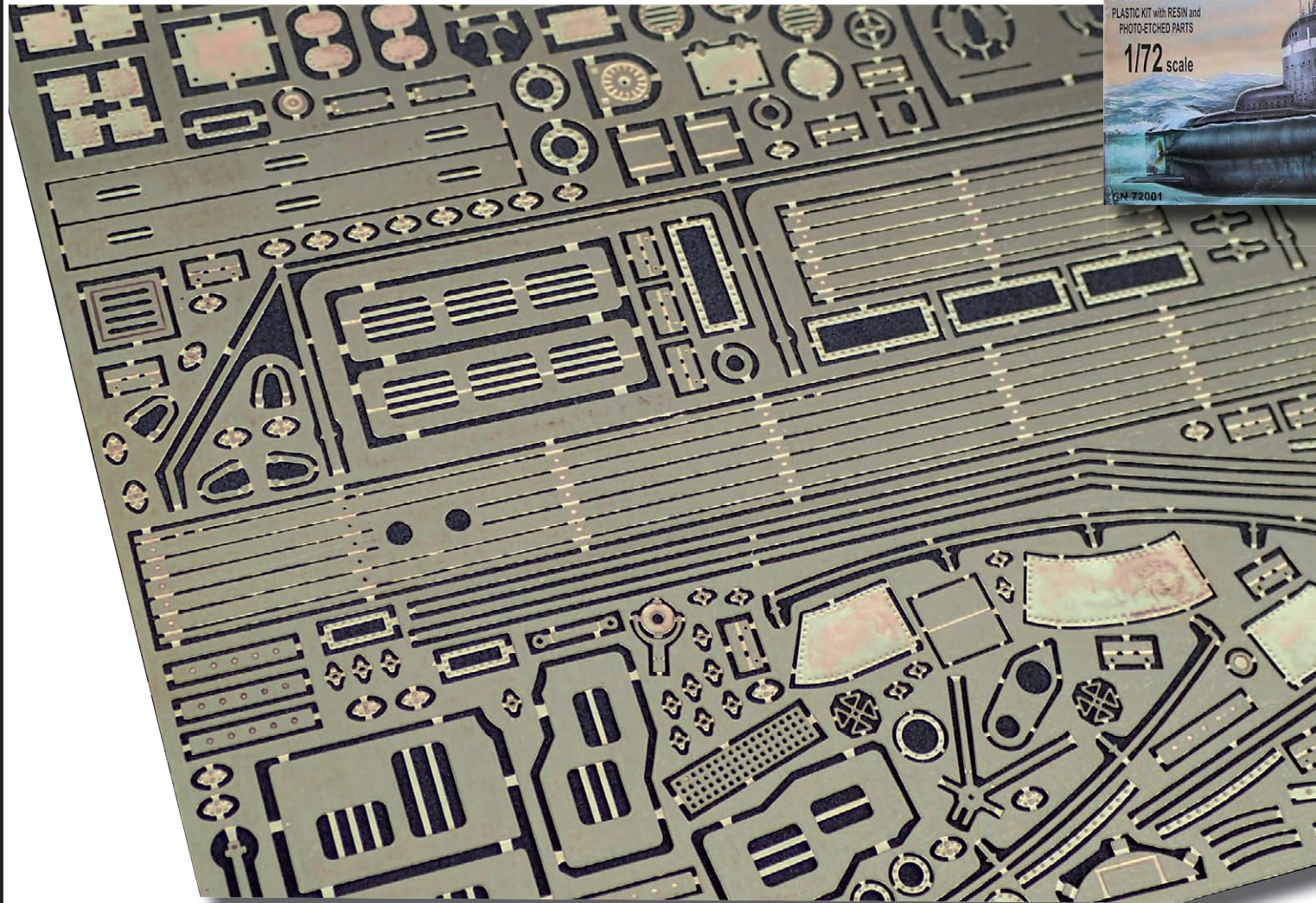
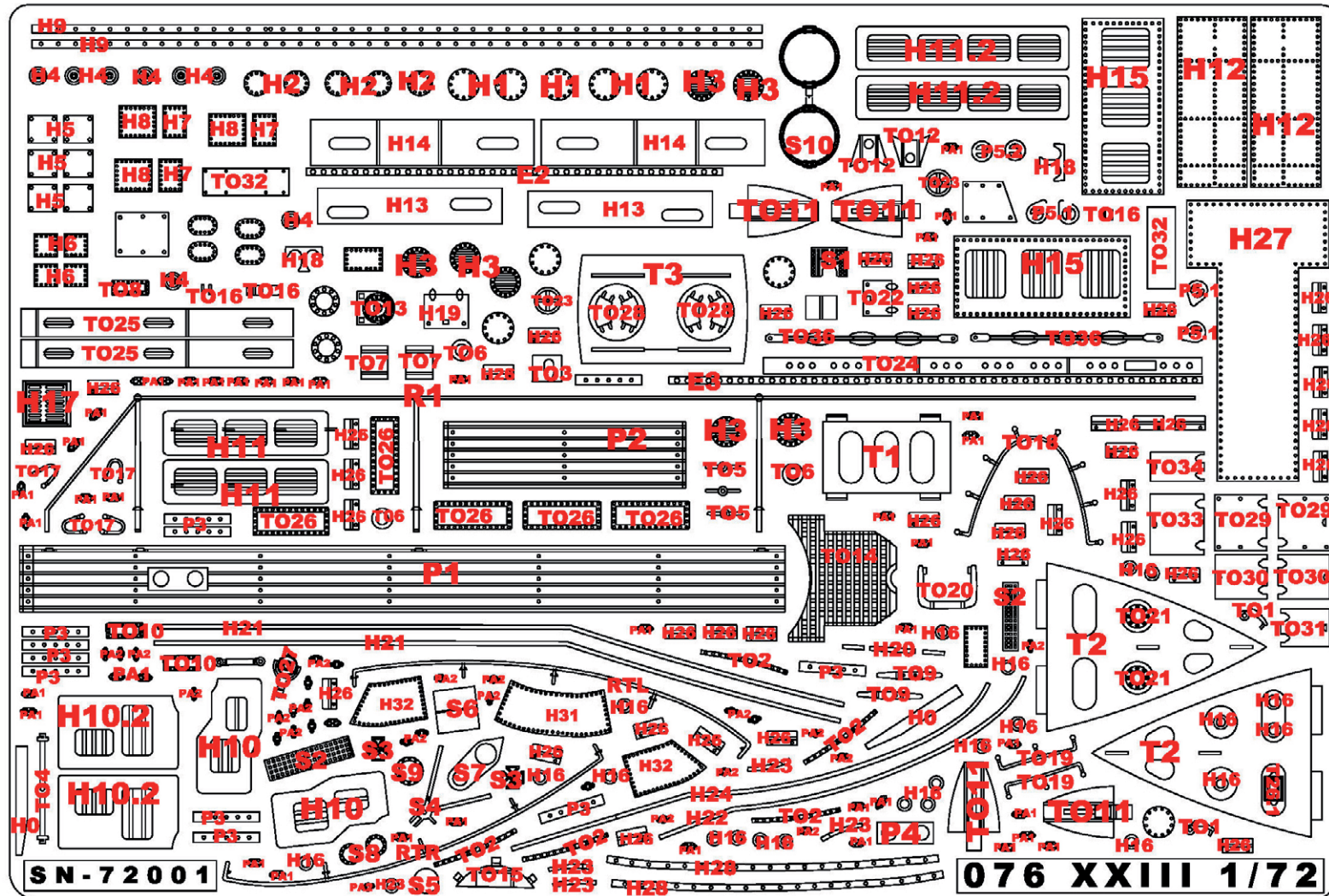


INSTRUCTIONS PHOTO ETCHED DETAILS FOR SPECIAL NAVY SN 72001 TYPE: XXIII 1/72



Description of parts PE War Version 1945

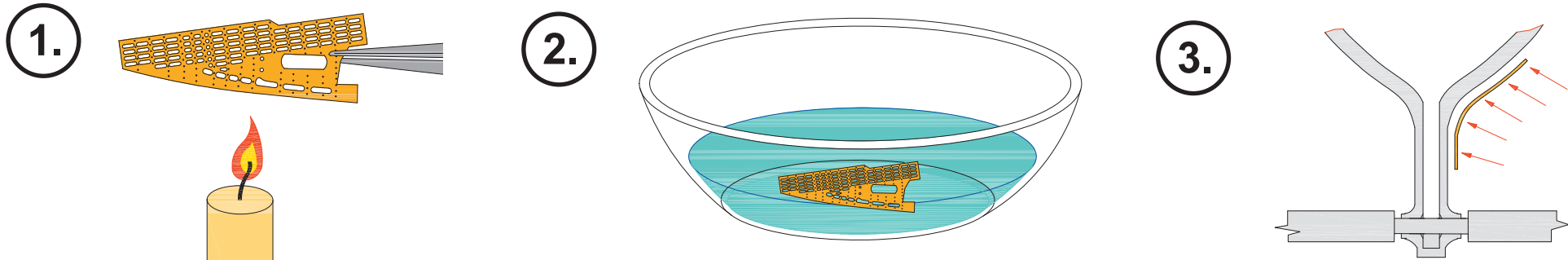
SKU-076



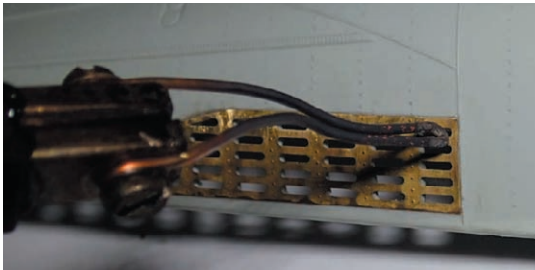
Hull -forming etchings

For a better shaping of etching, it is necessary to heat up plate and then rapidly cool down. etching is soft and well shaped according to the shape of the hull.

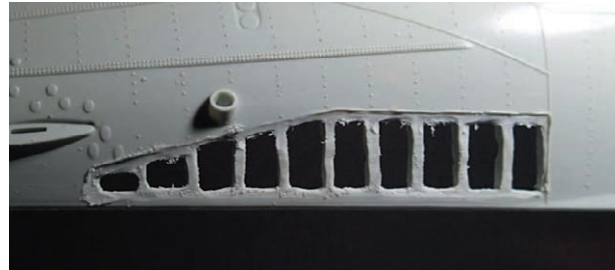
Recommendation: Try these steps to shape a different part of the sheet (the rest).



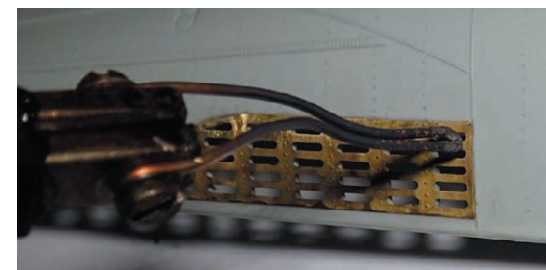
1. fine melting to determine the outline etching (using solder)



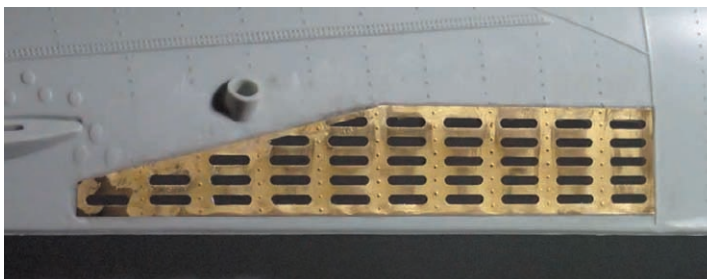
2. formation of holes using a milling machine



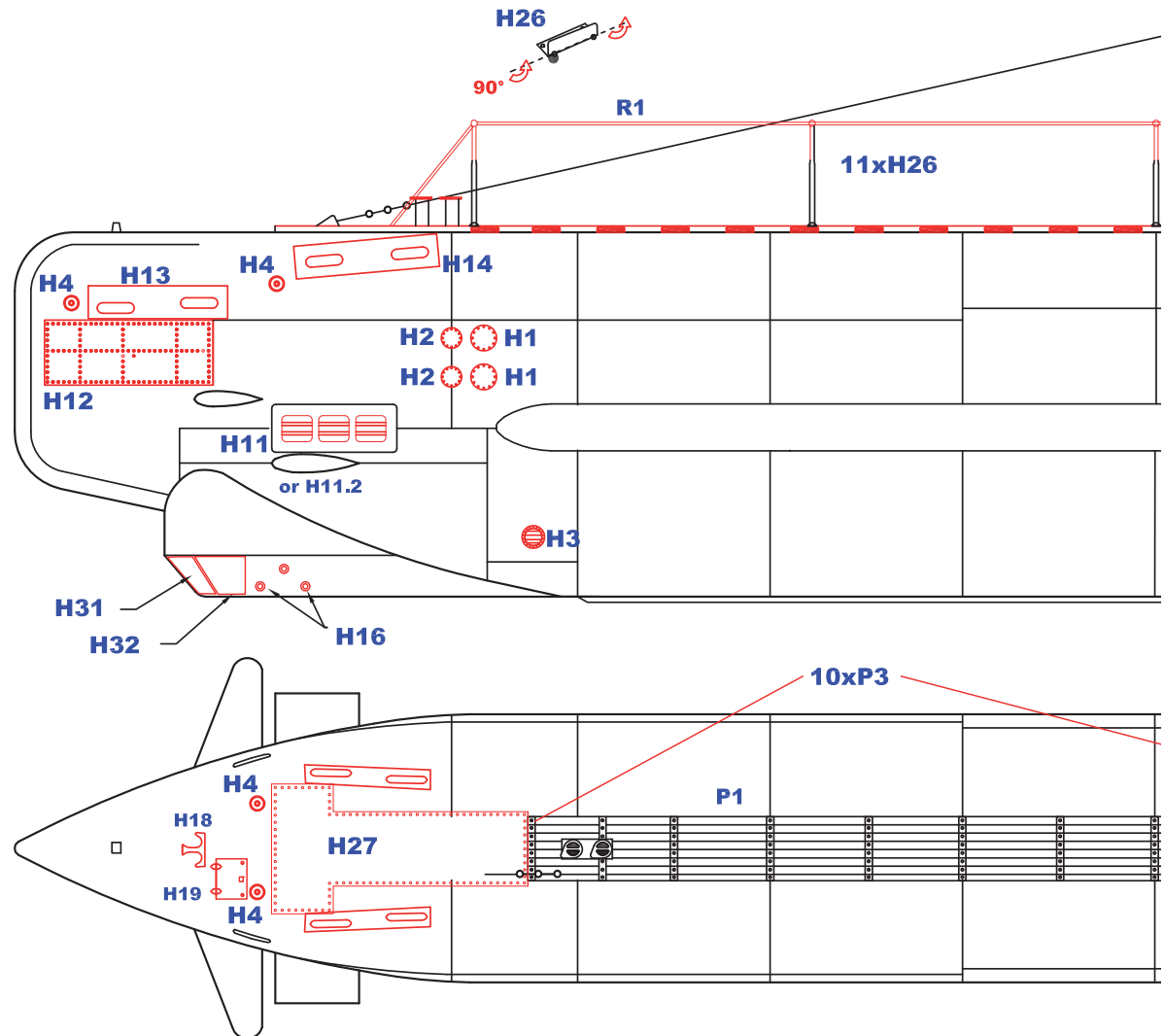
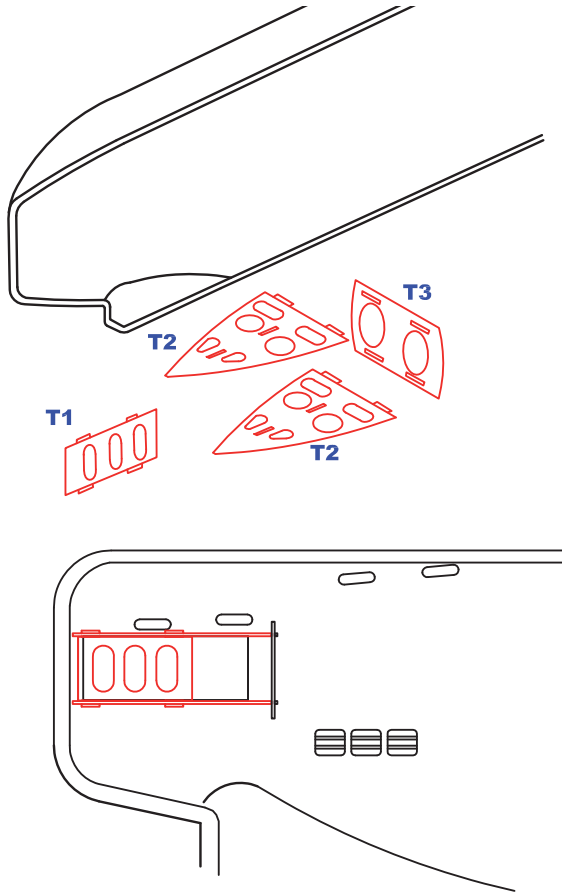
3. melting etching into the hull

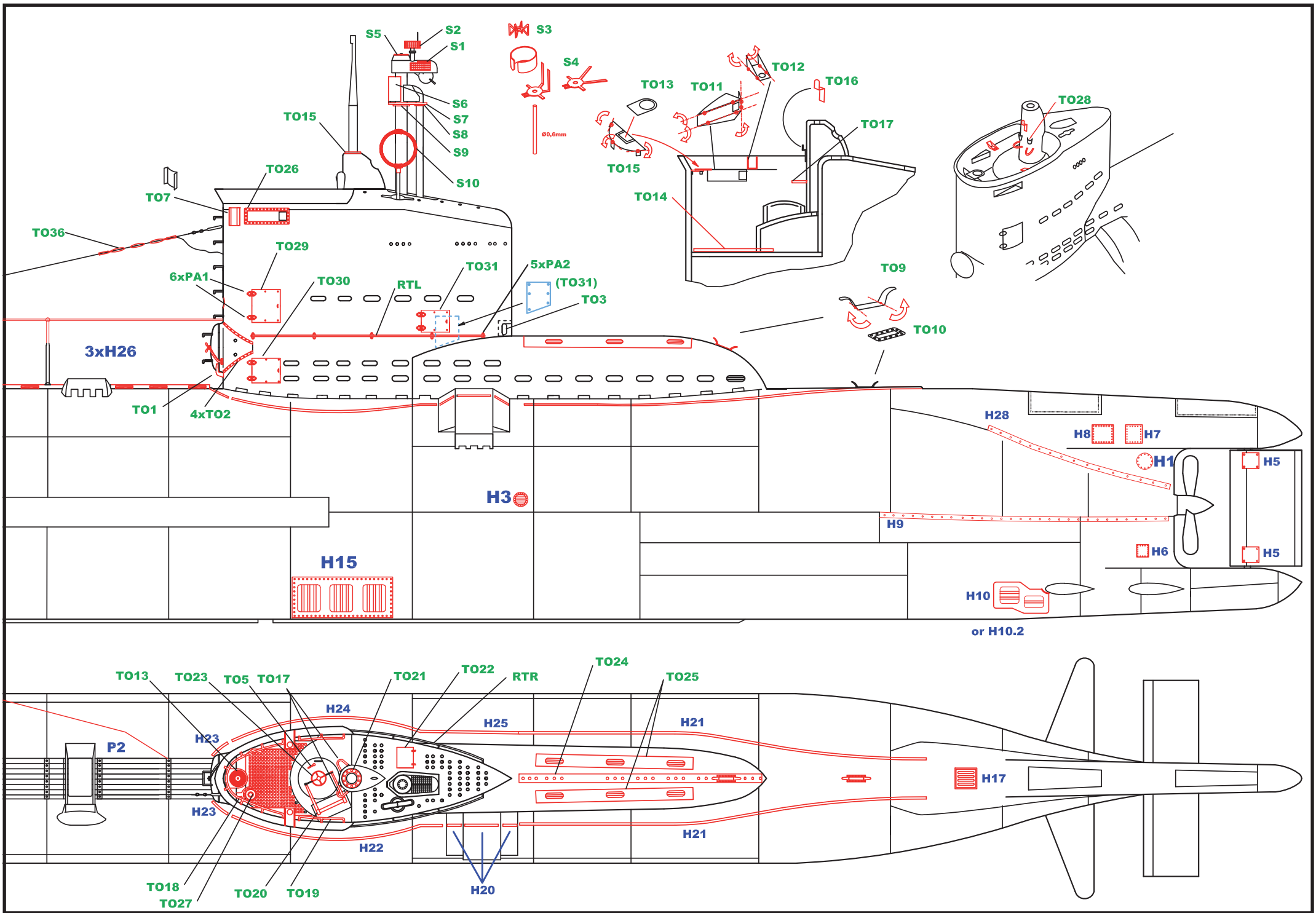


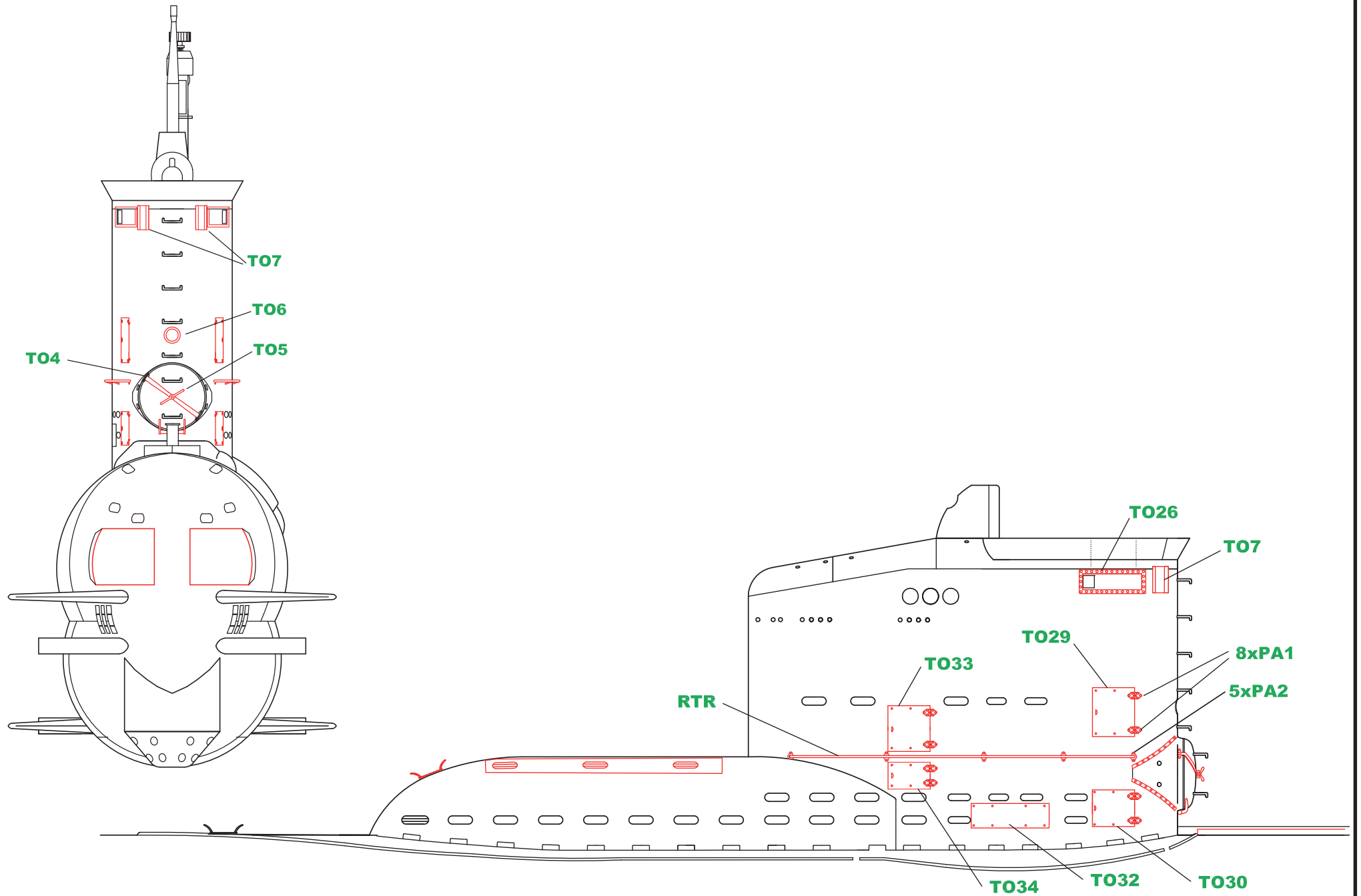
4. gluing and kiting

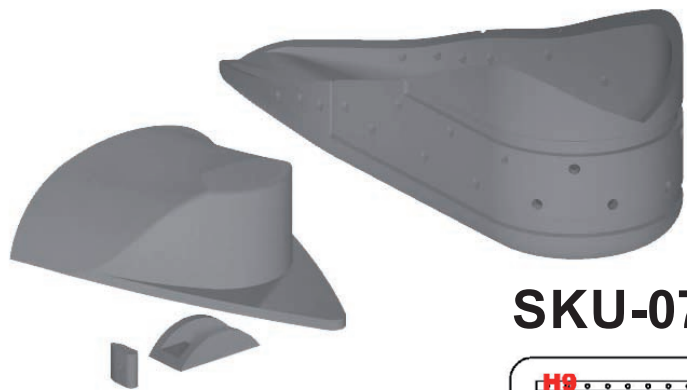


War version



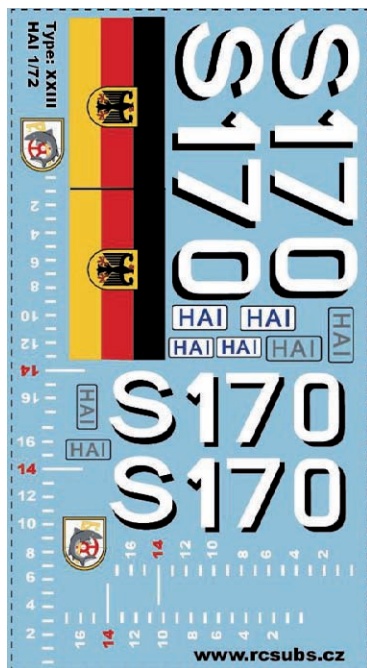
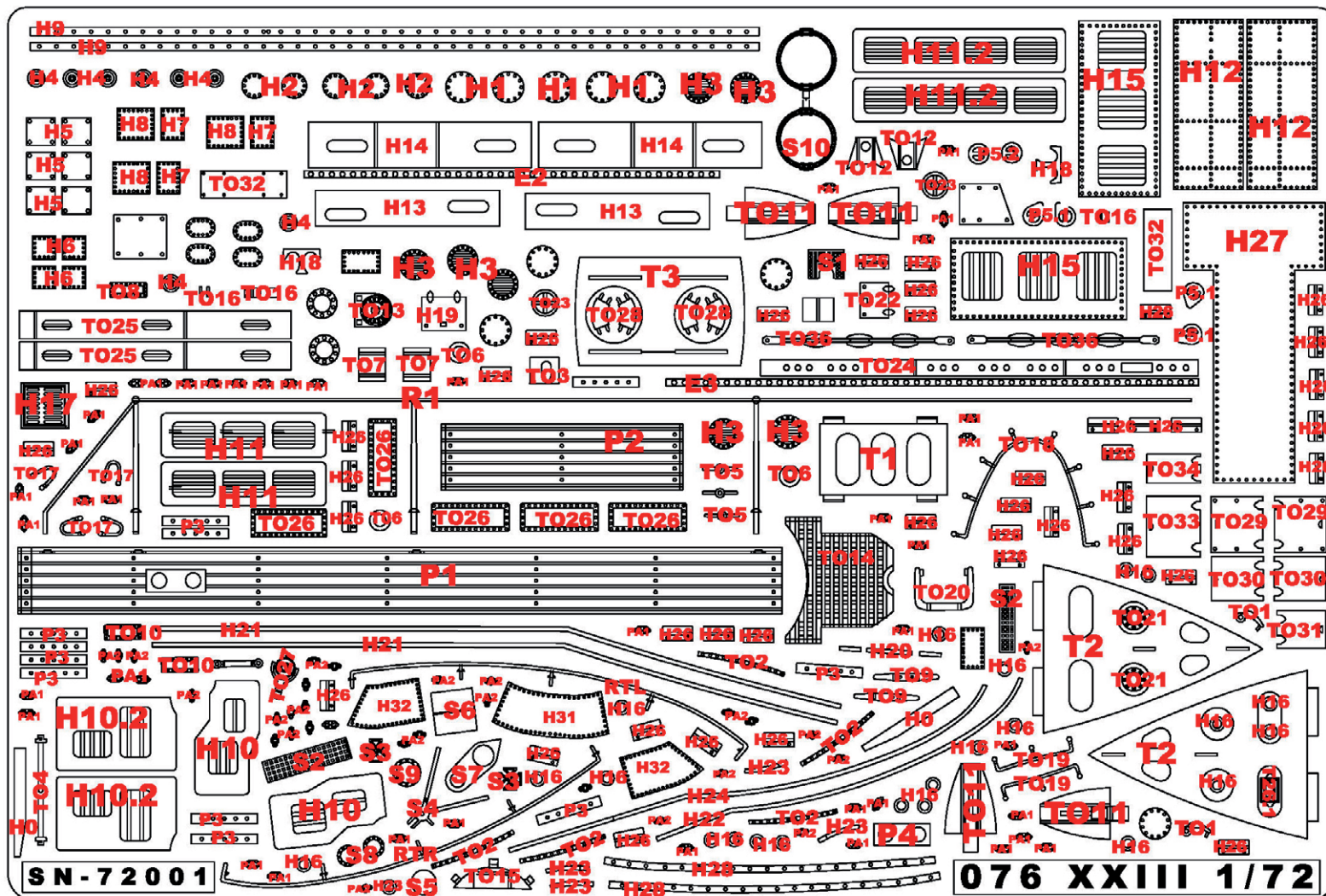
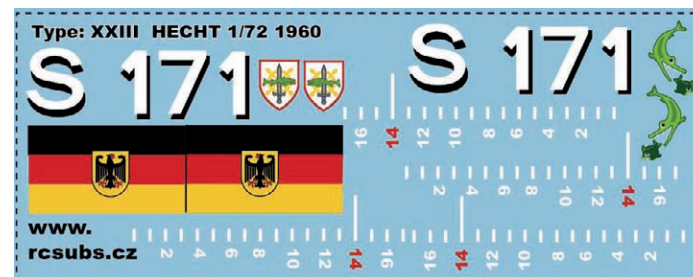




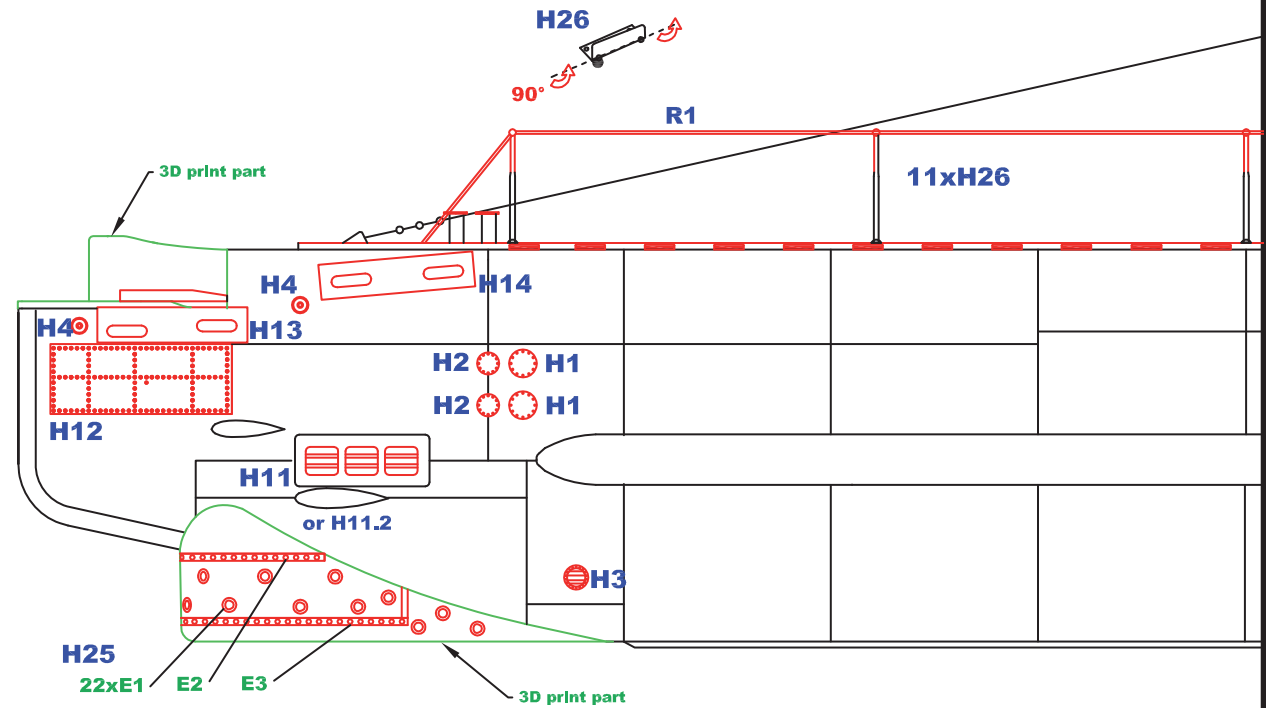
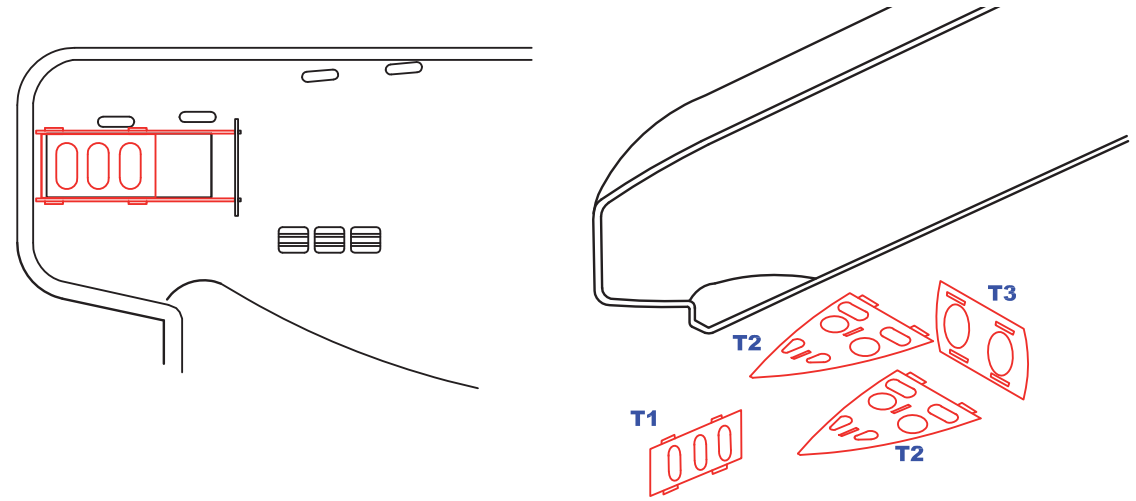
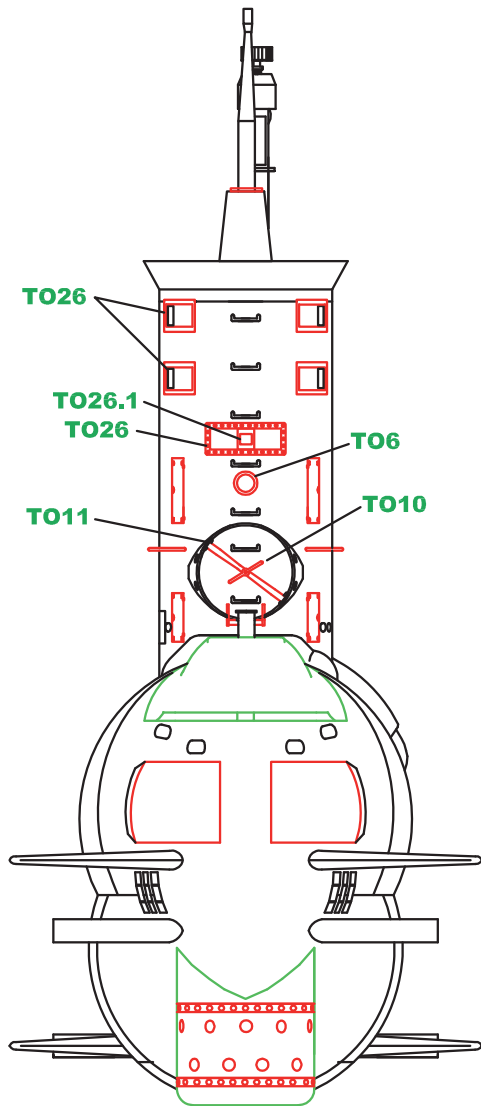


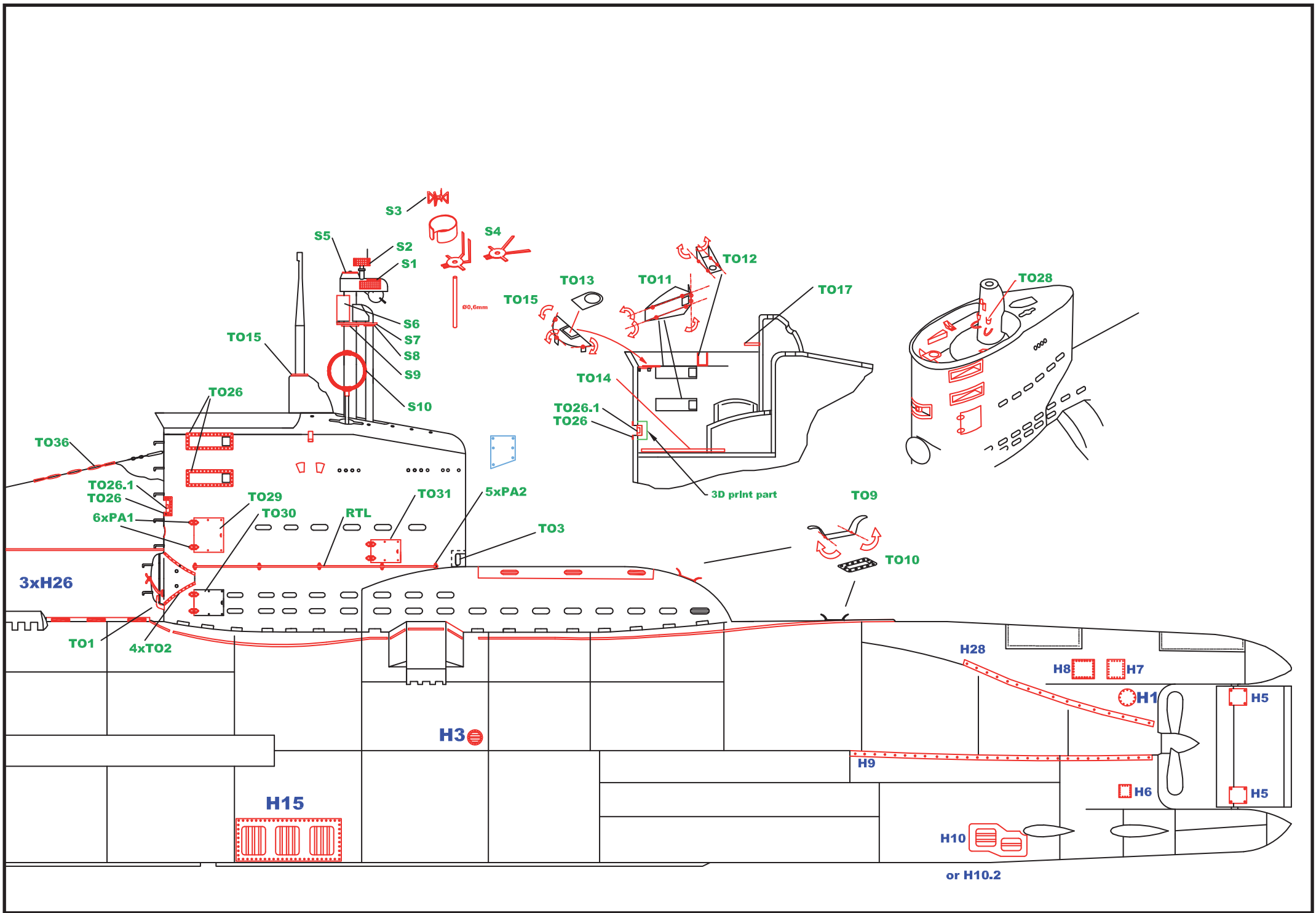
Description of parts PE post - war version 1956 HAI or Hecht

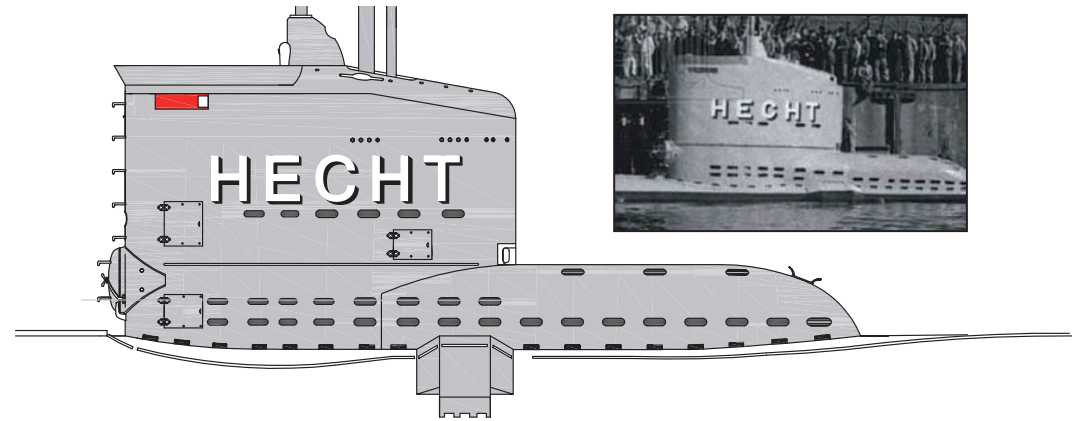
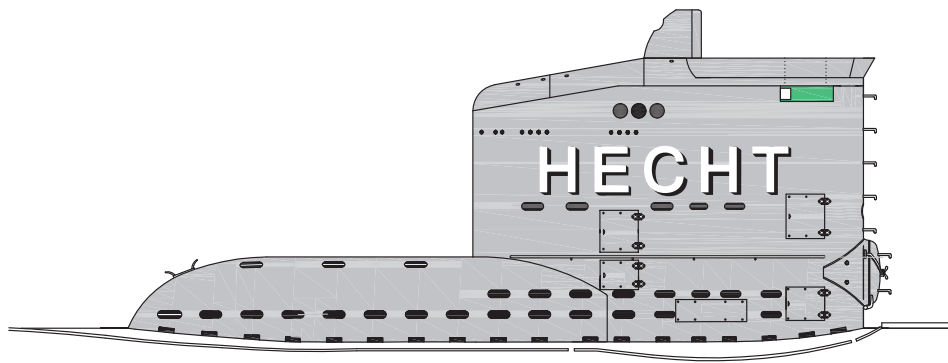
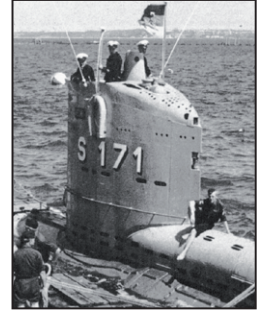
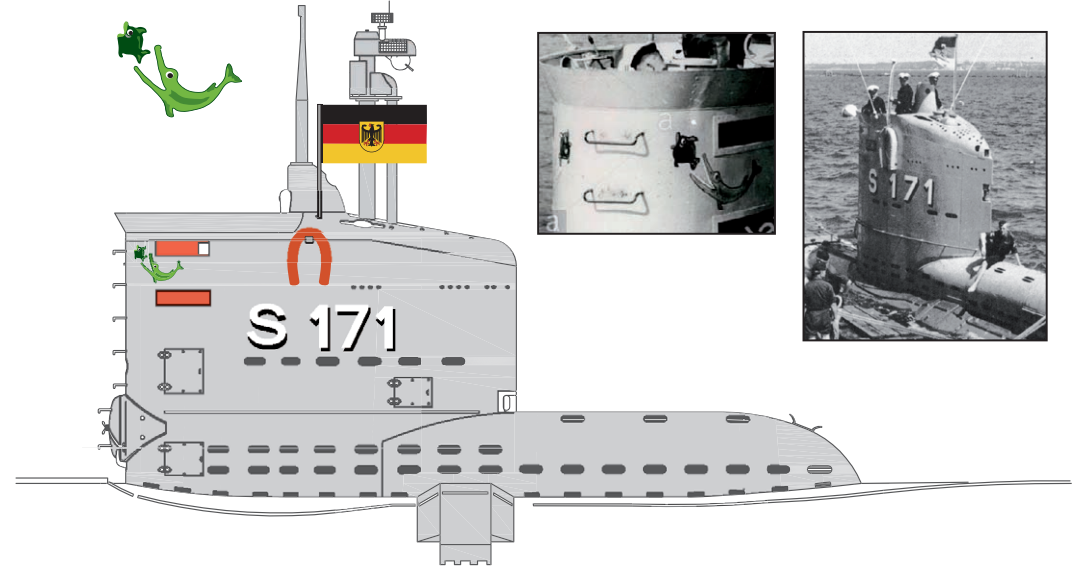
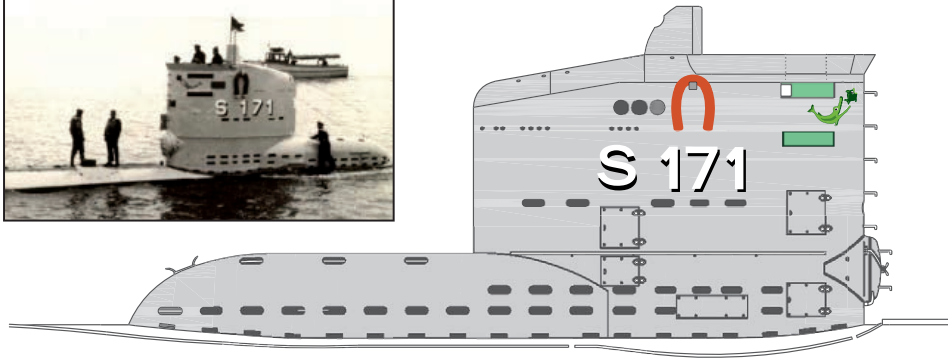
SKU-076 + DECAL

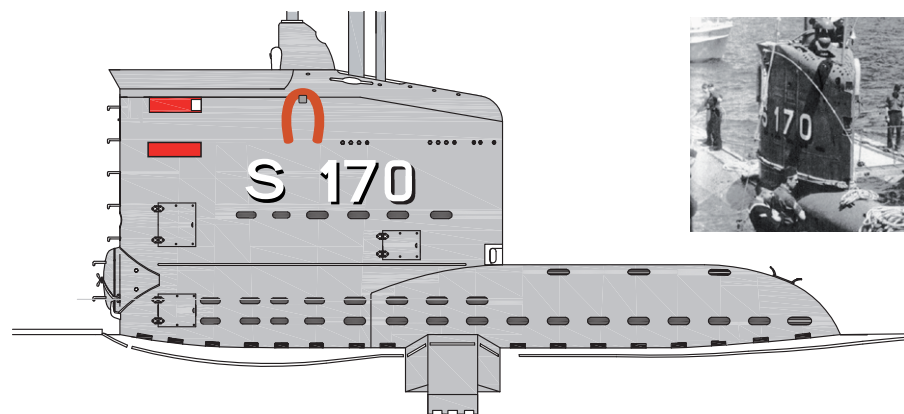
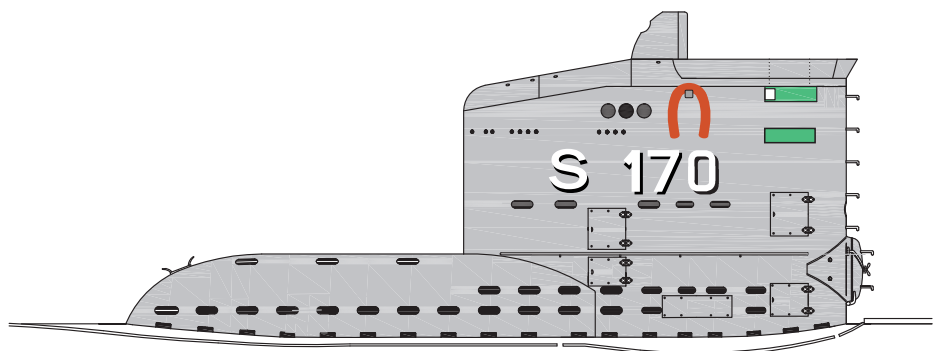
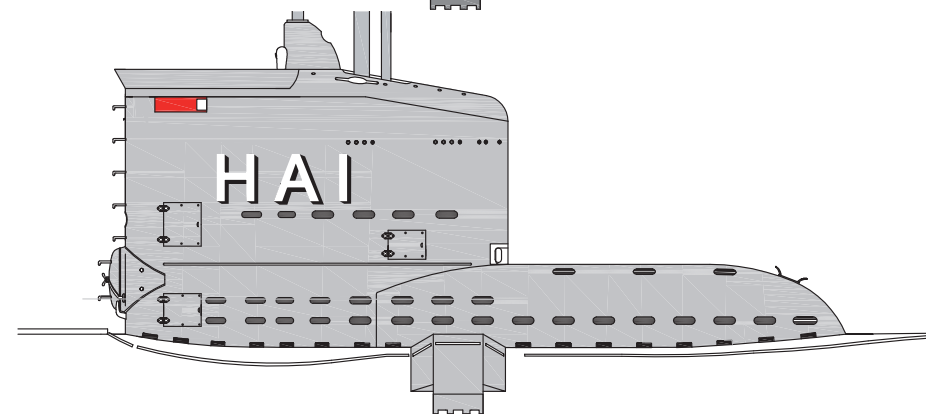
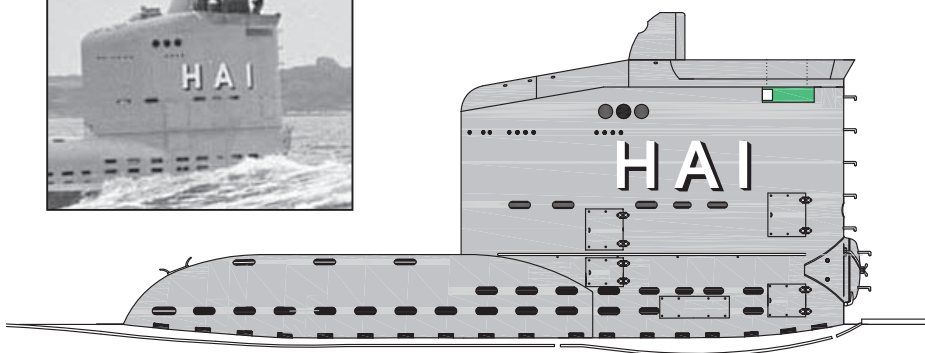
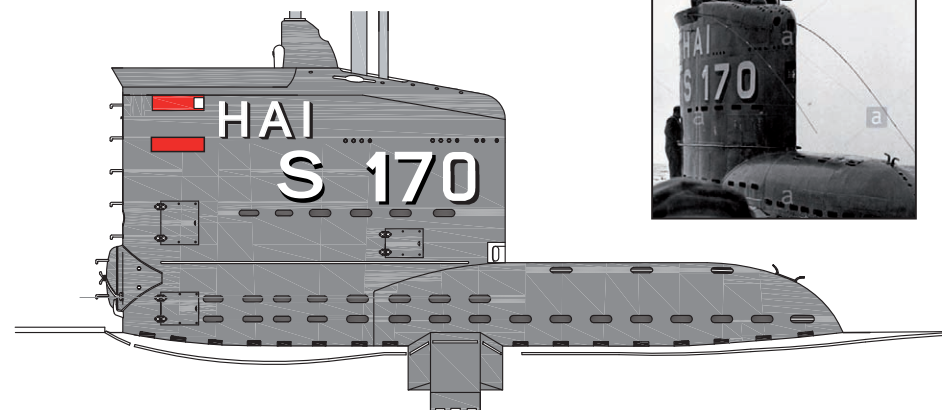
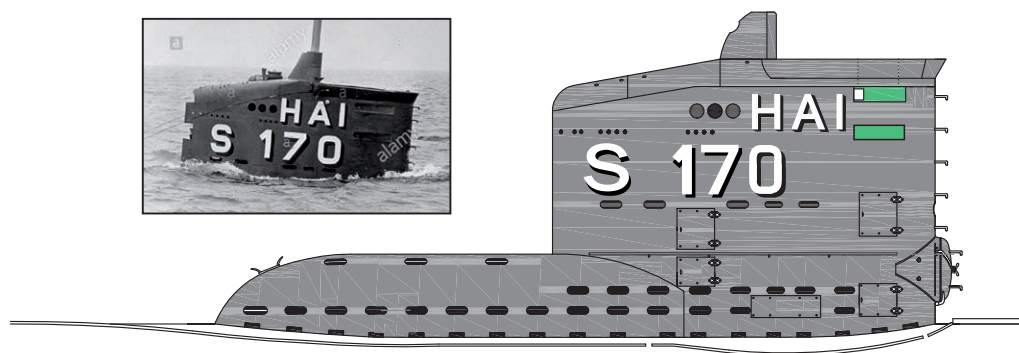


Germany 1957-58



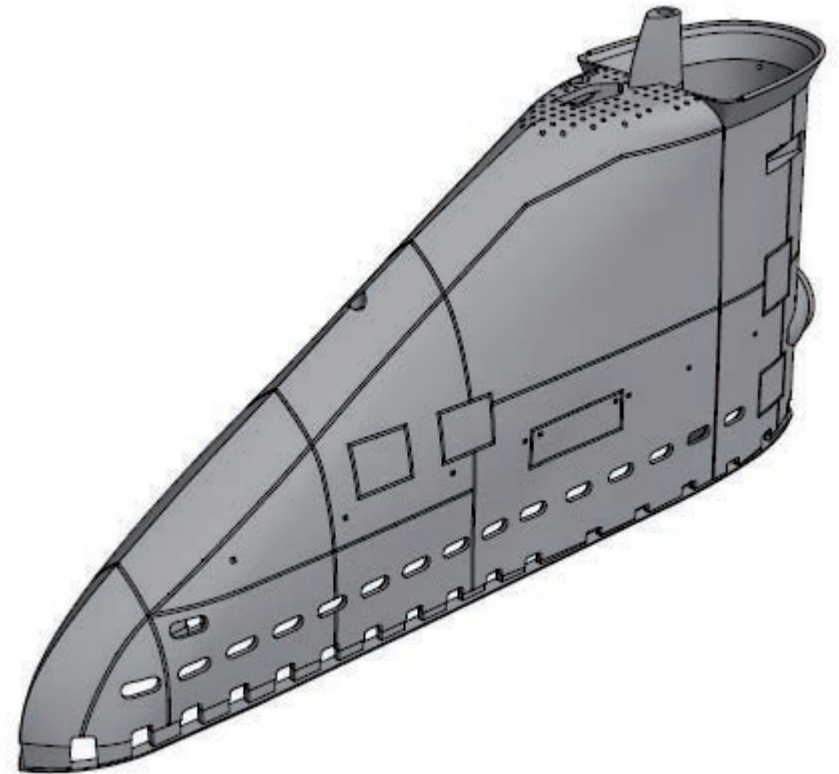
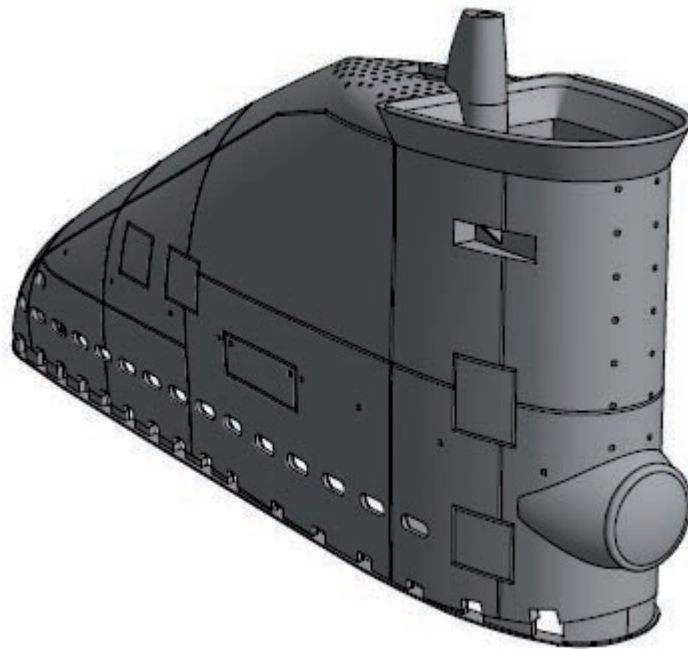
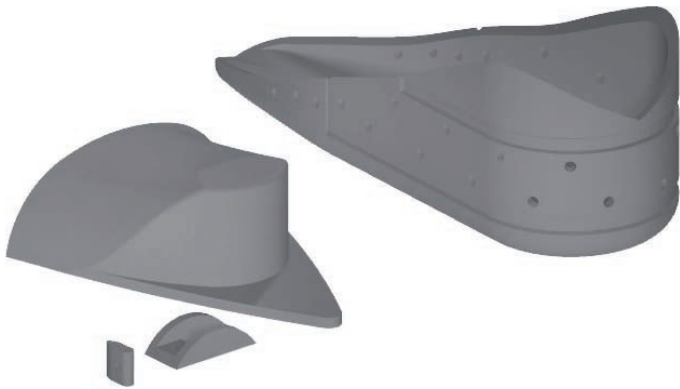


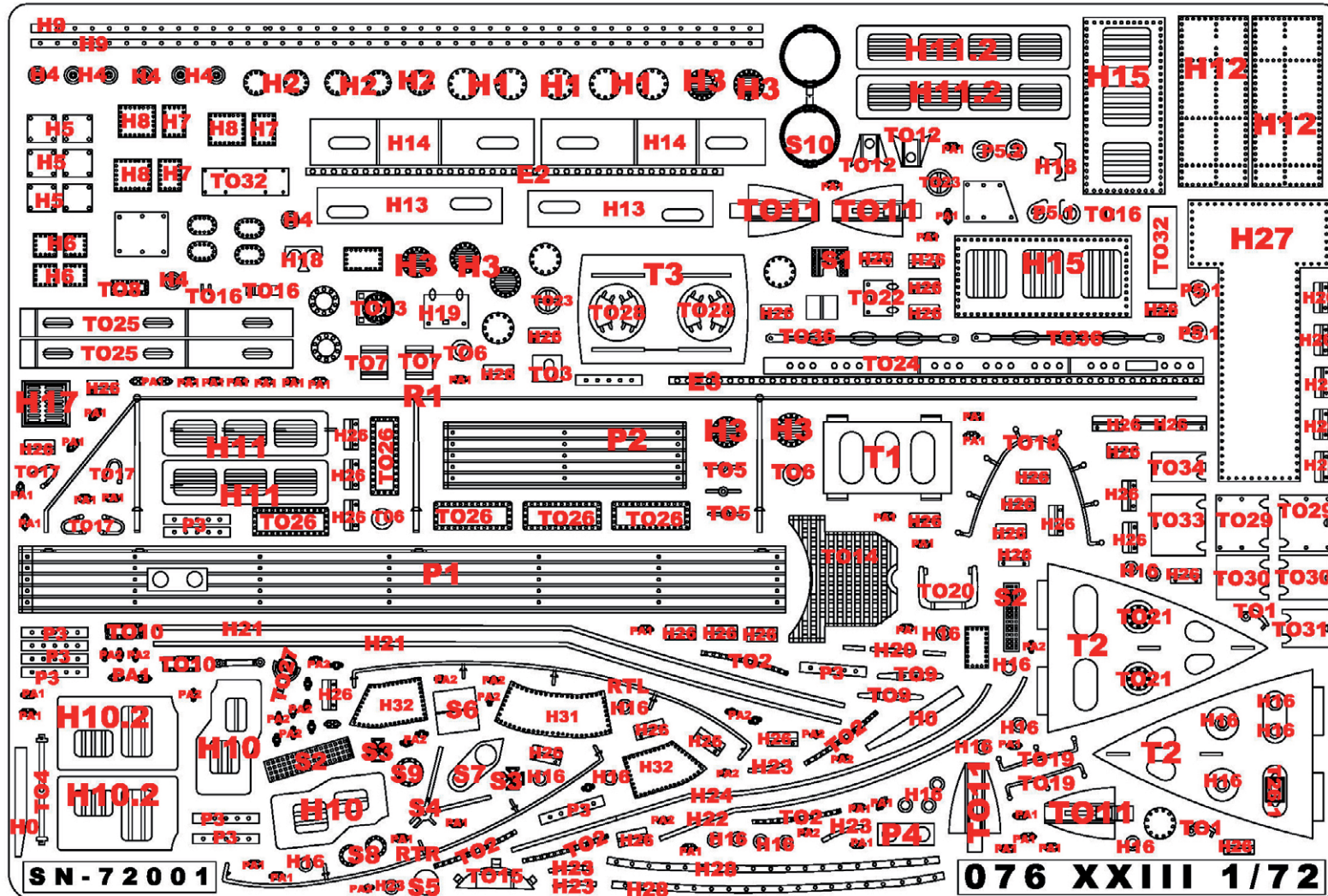
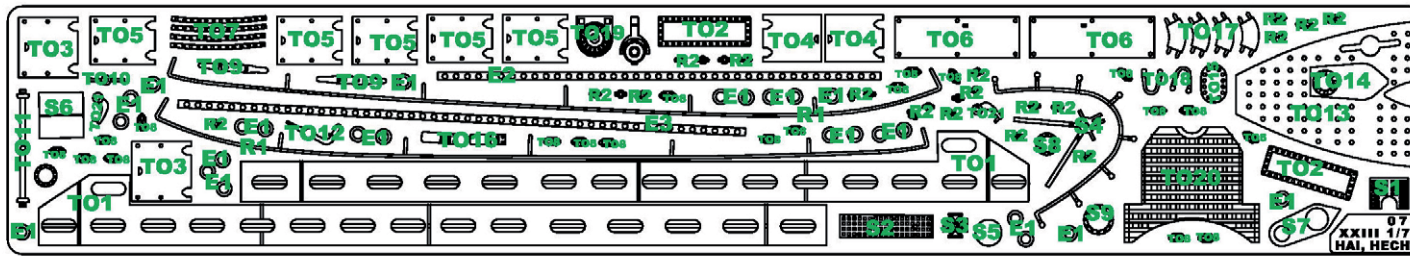




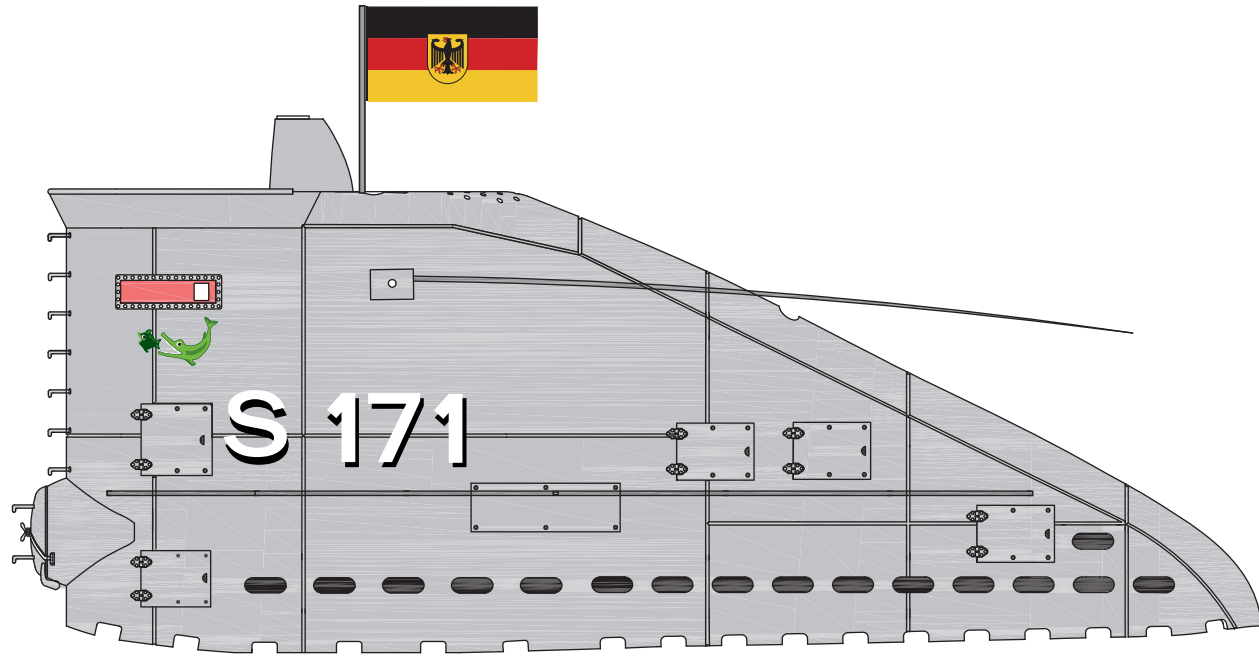
Description of parts PE
post - war version 1960
HAI or Hecht

SKU-076 + SKU-077 + DECAL +3D PRINT

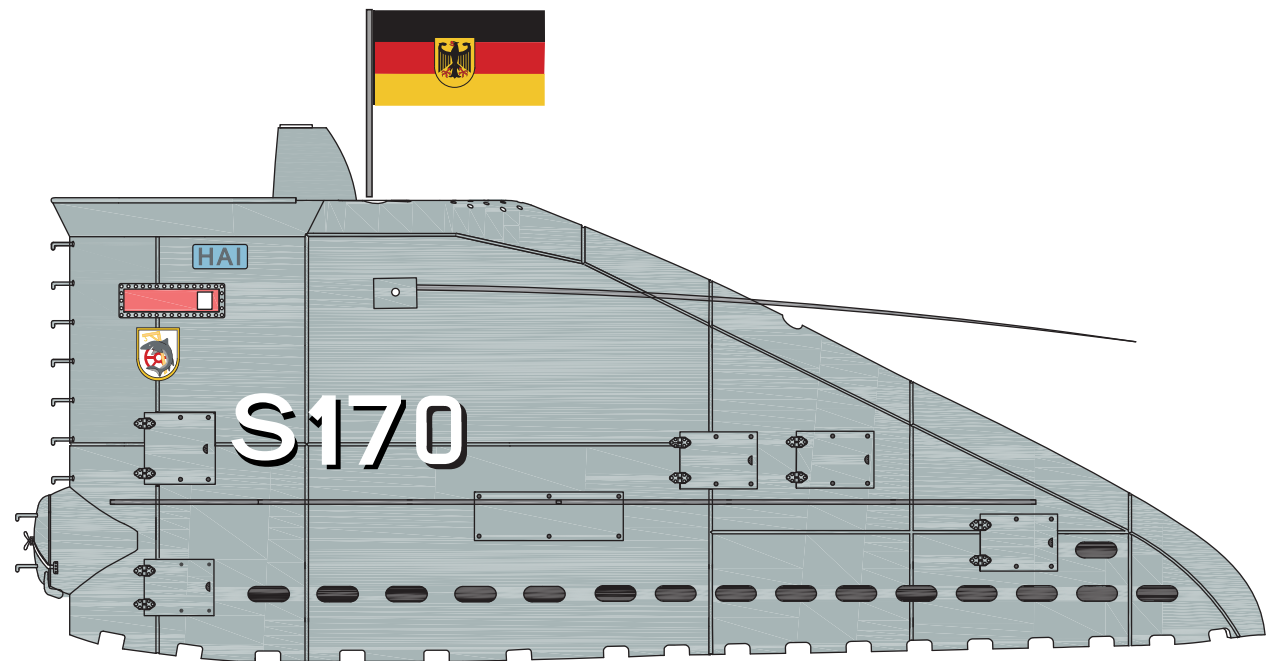




HECHT



HAI



Germany 1960

