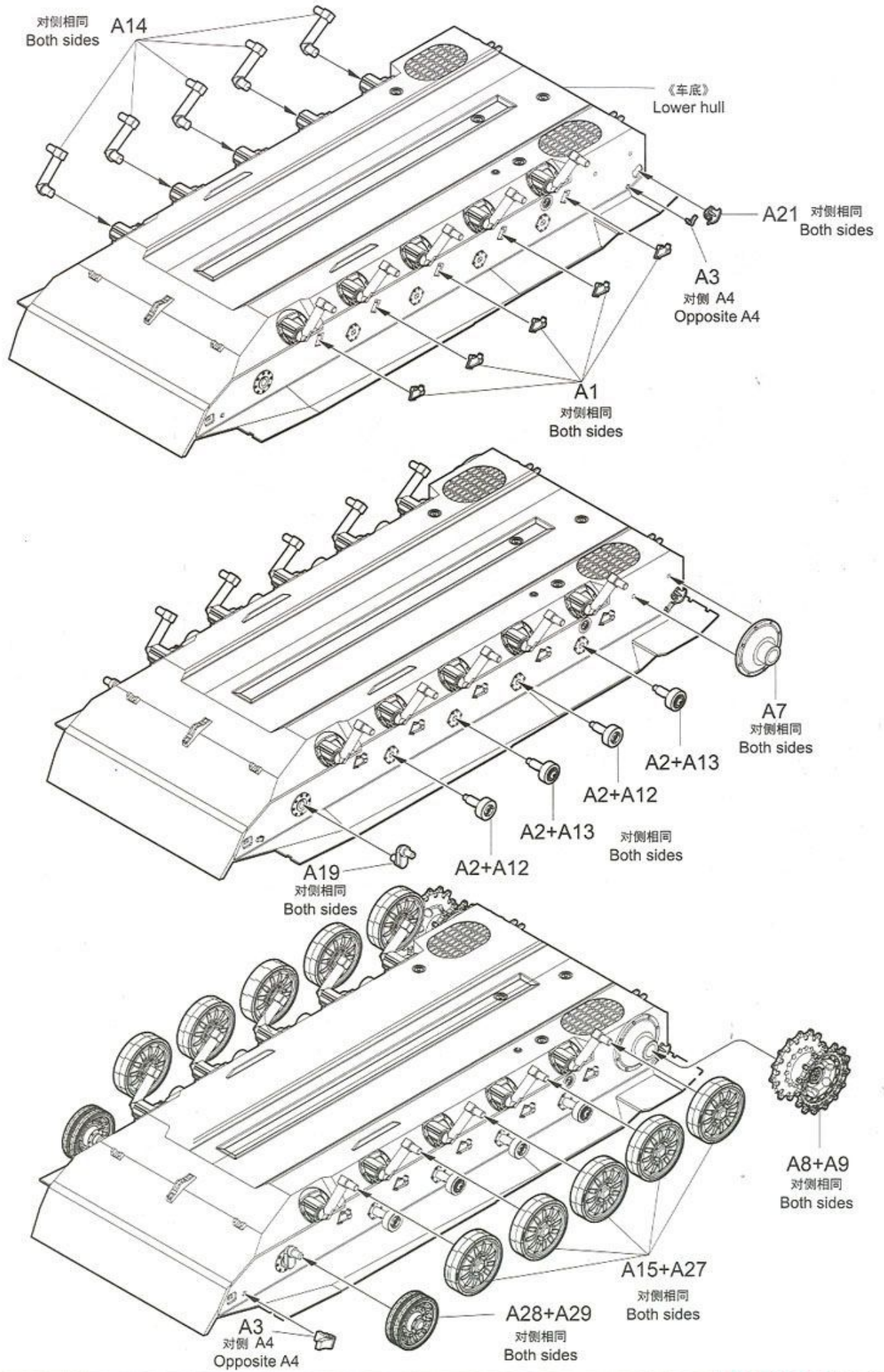
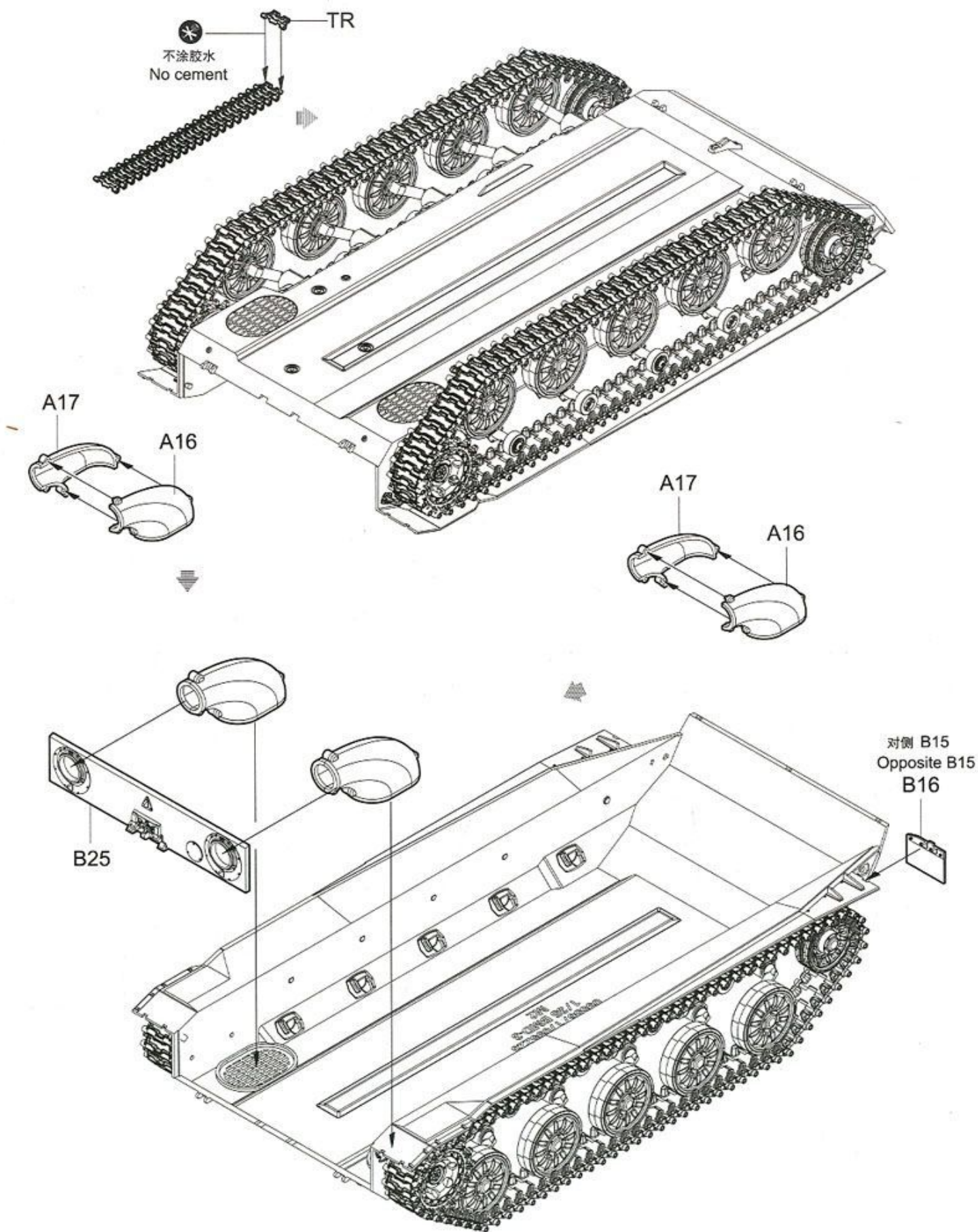


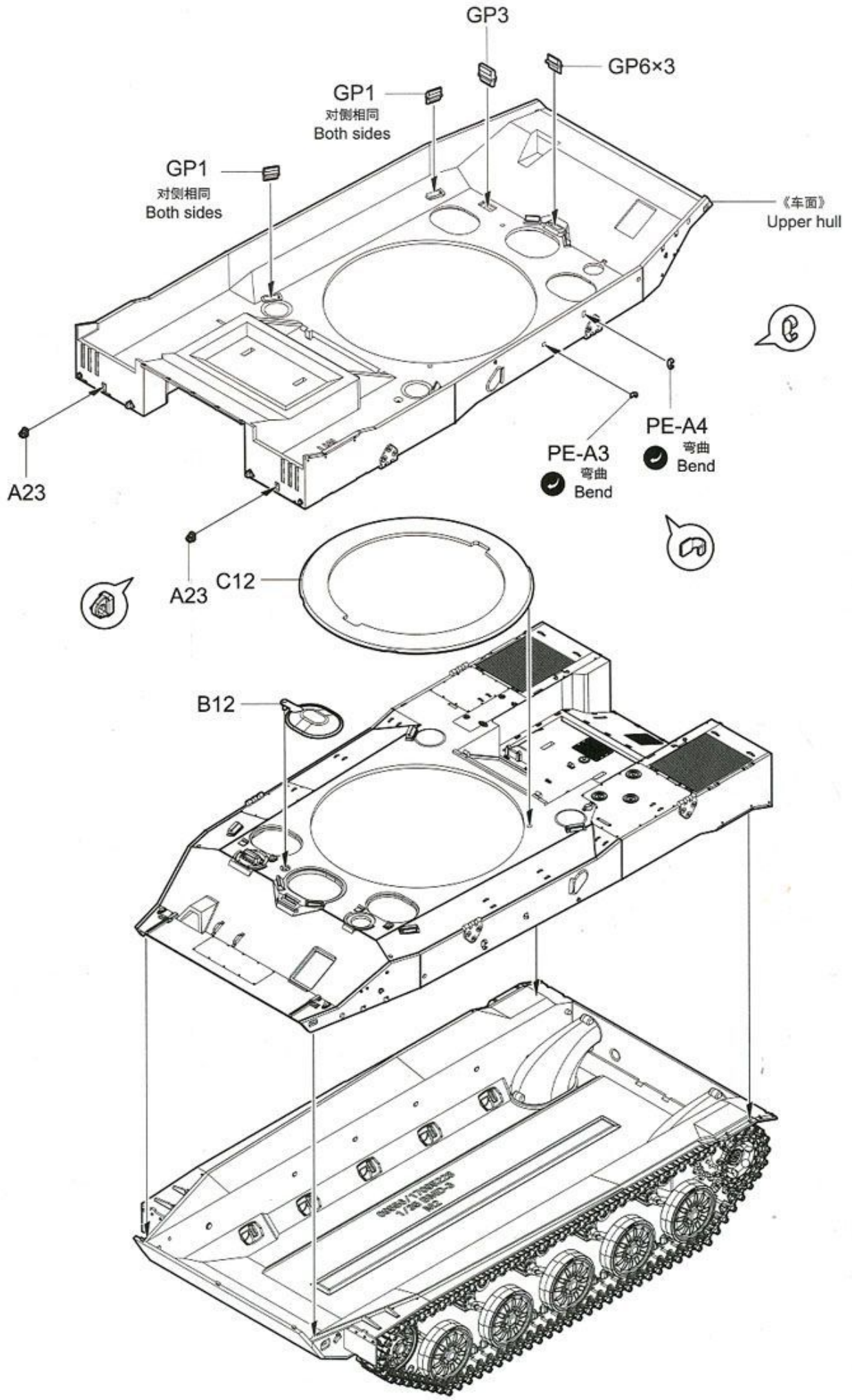
1



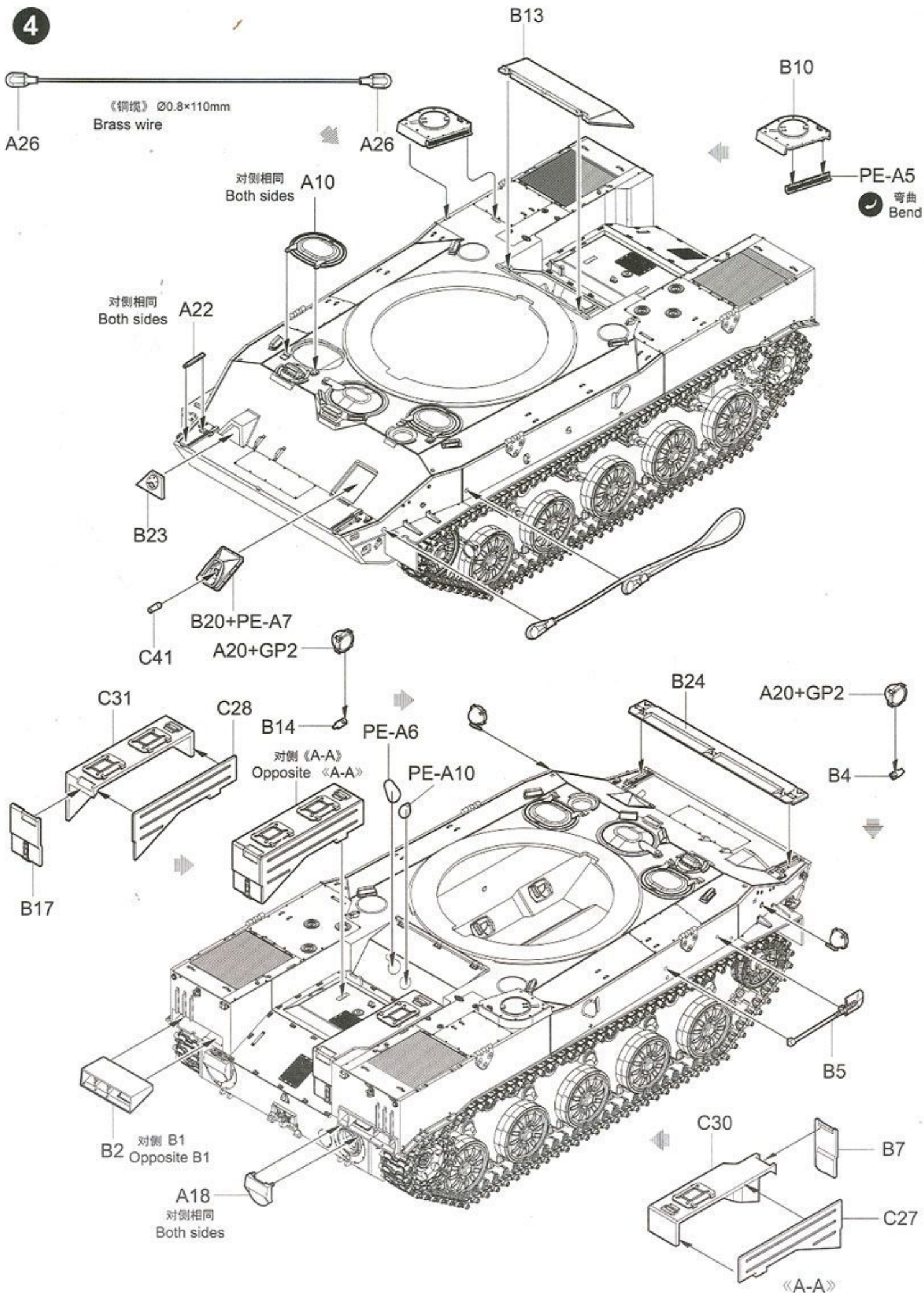
2

单侧履带需要84节
Complete track for one side requires 84 links.

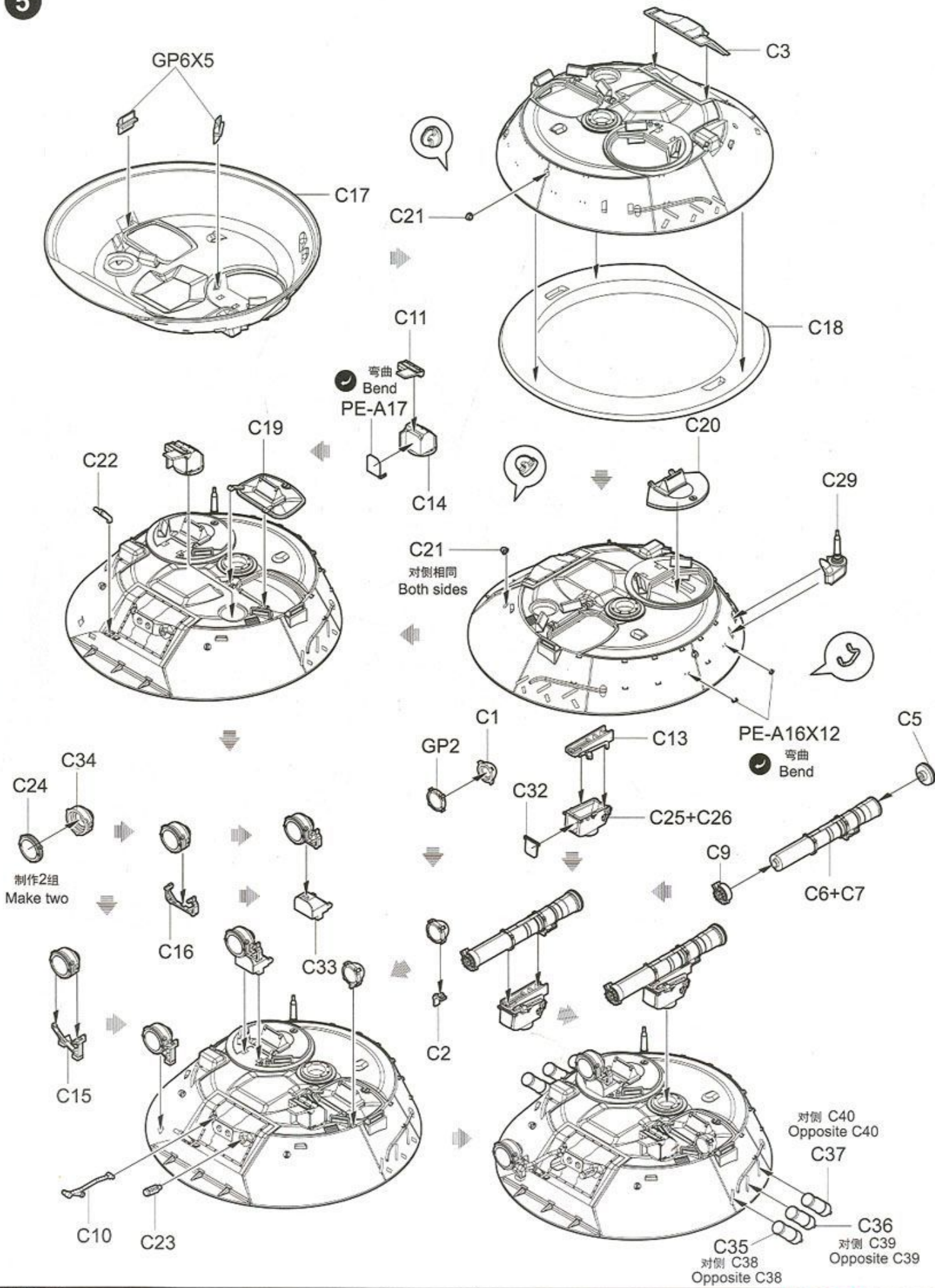




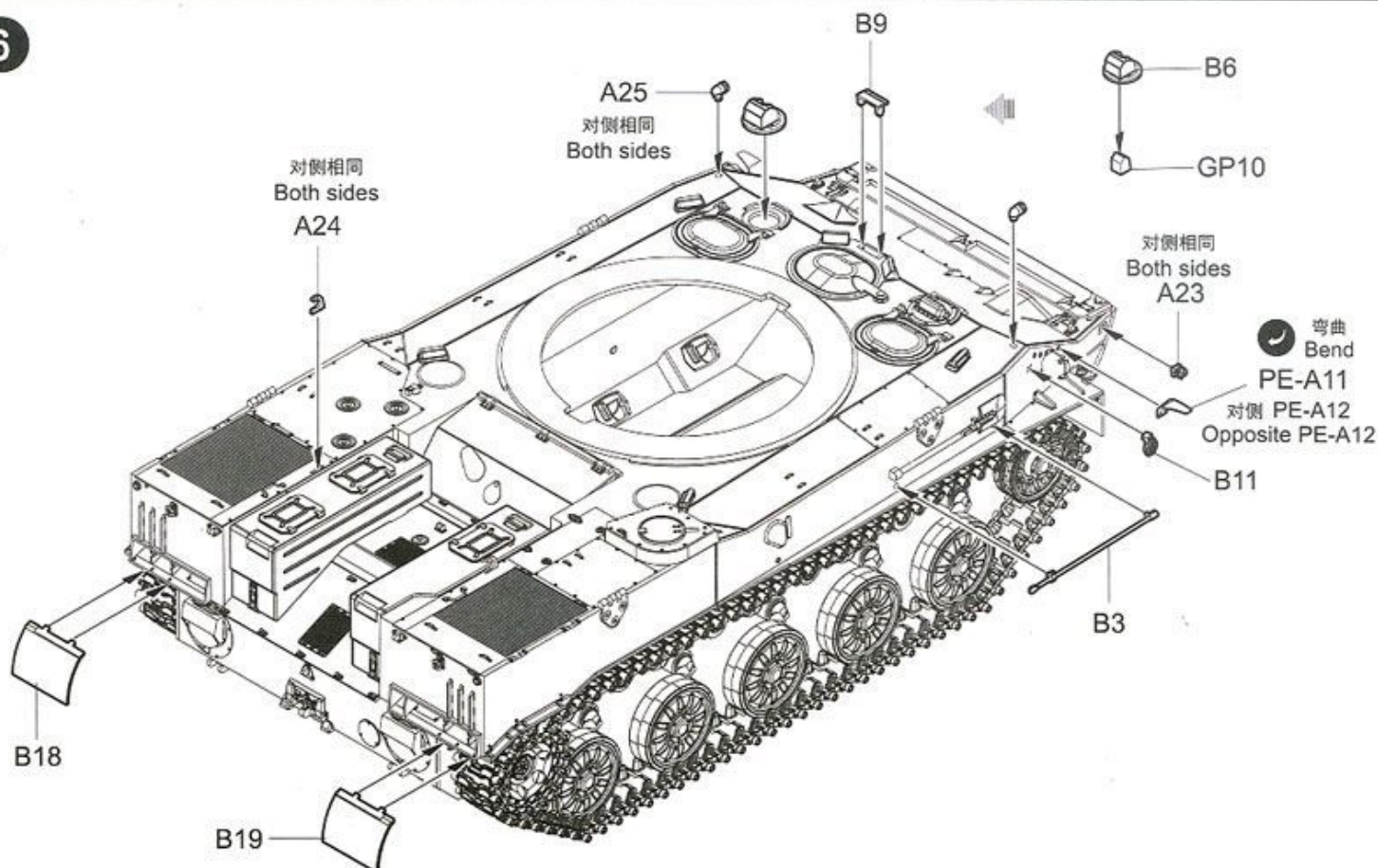
4



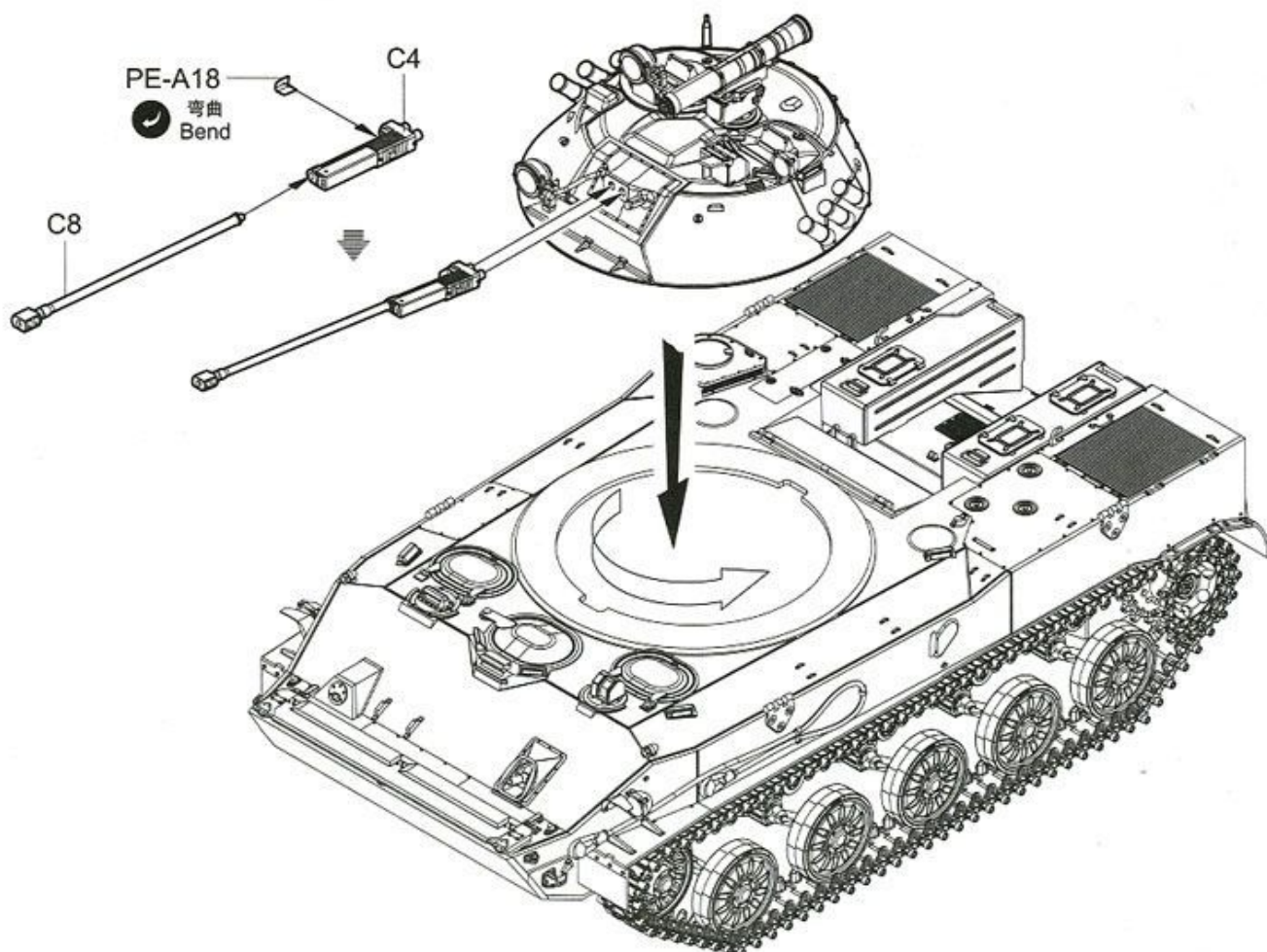
5



6

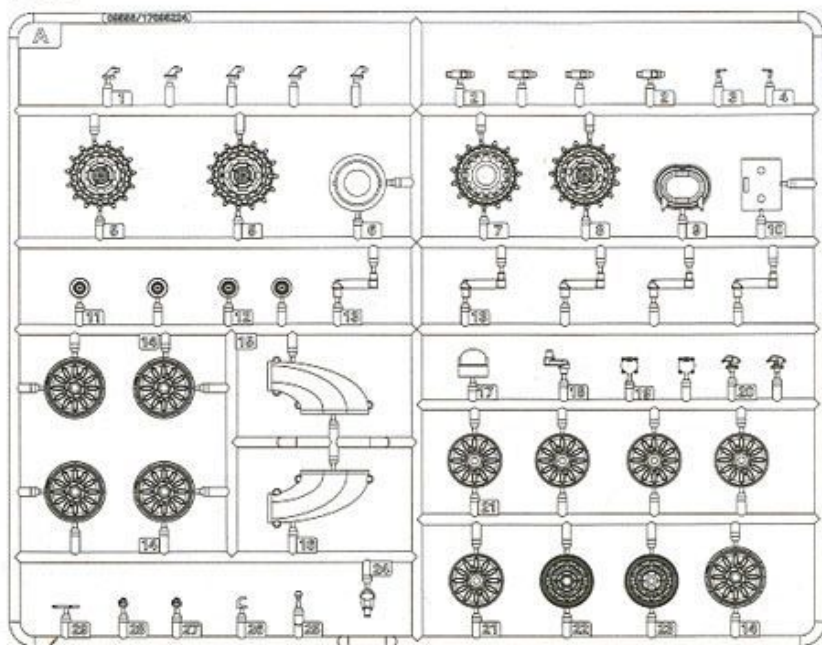


7

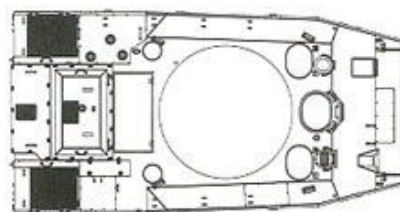


部品图 Parts

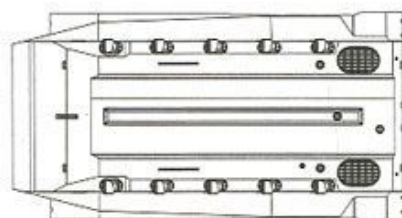
Ax2



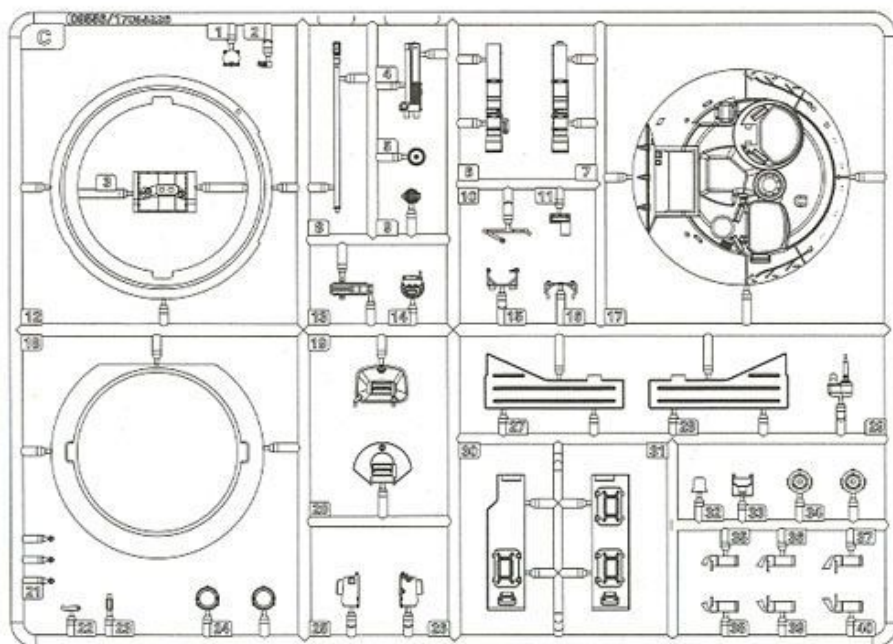
《车面》
Upper hull



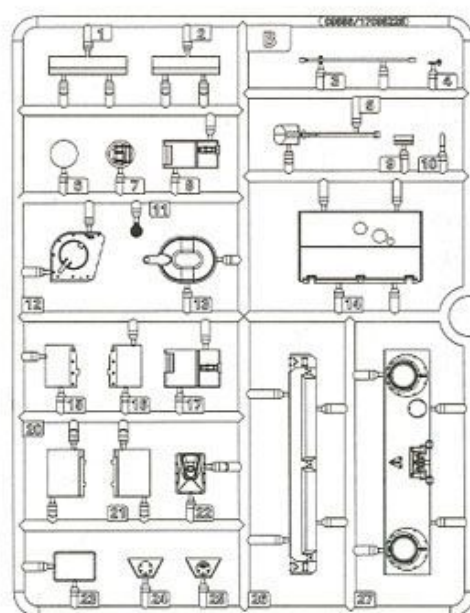
《车底》
Lower hull



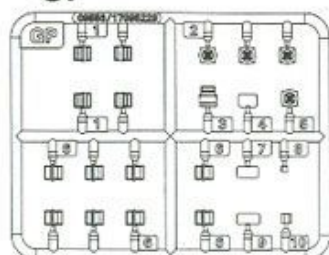
C



B



GP



《蚀刻片》
PE



TRx84



《铜线》
Brass wire



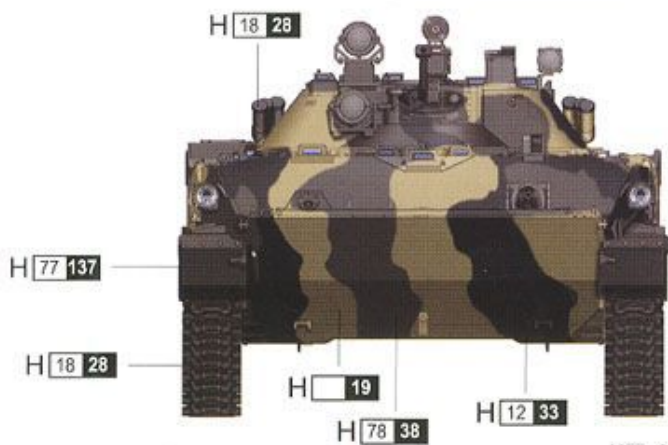
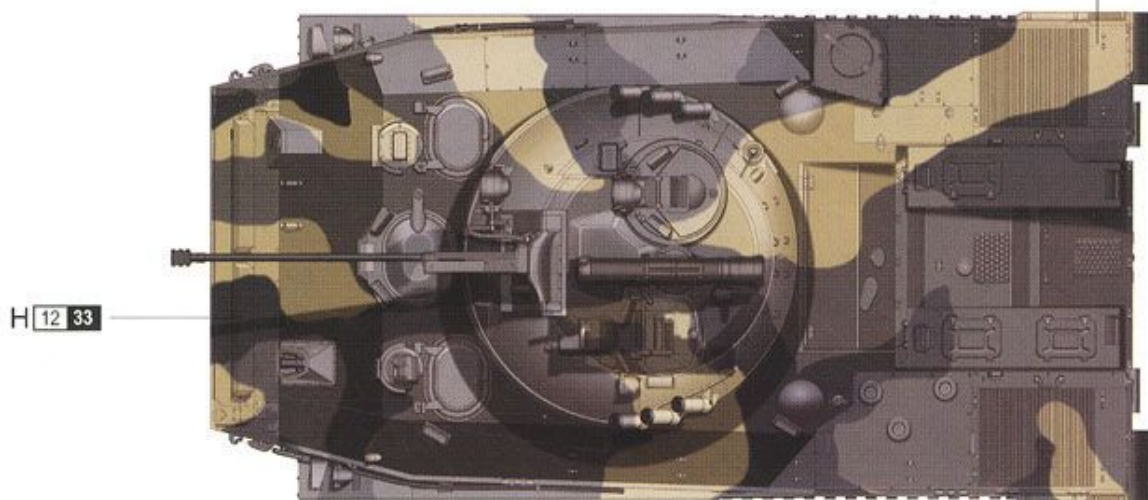
《水贴》
Decal



涂装同标贴指示 Painting & Marking guide

A

PAINT REFERENCE COLOR						
Color	Mr.Hobby	Acrycion	Vallejo	Model Master	Tamiya	Humbrol
木棕色 Wood Brown	H 37 43	N 37	983	1701	—	186
灰色 Steel	H 18 28	N 18	—	1702	—	—
胎黑色 Tire Black	H 77 137	N 07	—	—	—	—
砂黄色 Sandy Brown	H 19	N 19	—	—	—	—
橄榄绿 Olive Drab	H 78 38	N 78	—	—	—	—
荧光黑 Flat Black	H 12 33	N 12	950	1749	XF1	33



H AQUEOUS HOBBY COLOR

Mr. COLOR

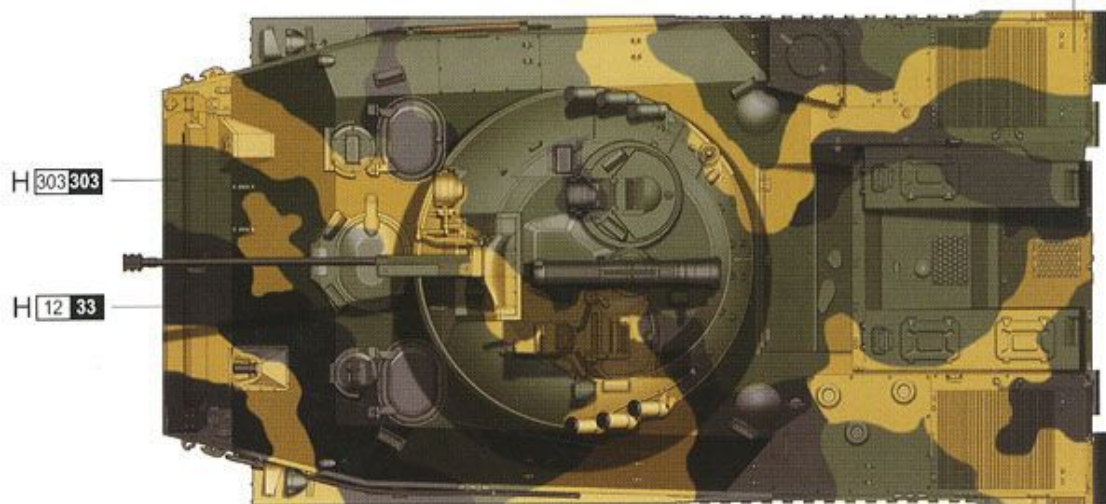
N ACRYSION COLOR

HOBBIY SEARCH

涂装同标贴指示 Painting & Marking guide

B

PAINT REFERENCE COLOR						
Color	Mr.Hobby	Acrycion	Vallejo	Model Master	Tamiya	Humbrol
木棕色 Wood Brown	H 37 43	N 37	983	1701	—	186
钢铁色 Steel	H 18 28	N 18	—	1702	—	—
胎黑色 Tire Black	H 77 137	N 77	—	—	—	—
砂黄色 Sandy Brown	H 79 39	N 79	842	—	XF59	93
浅绿 Light Green	H 303 303	N 303	—	1713	XF20	117
消光黑 Flat Black	H 12 33	N 12	950	1749	XF1	33



H (X) AQUEOUS HOBBY COLOR

Mr. COLOR

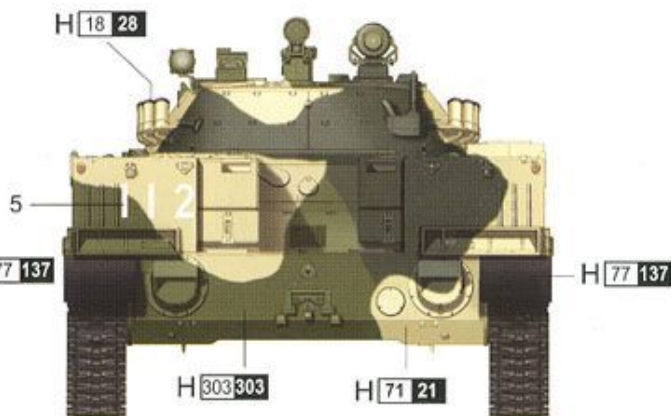
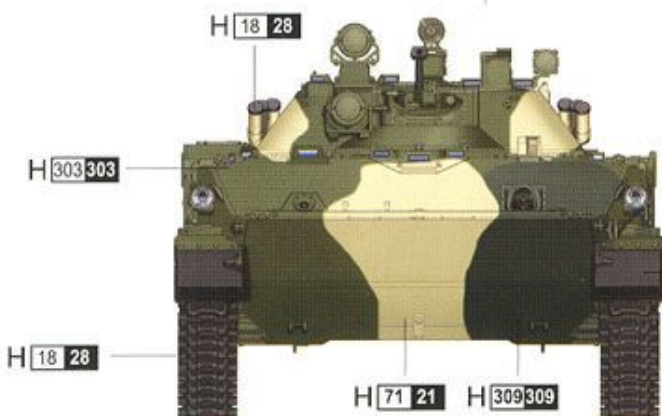
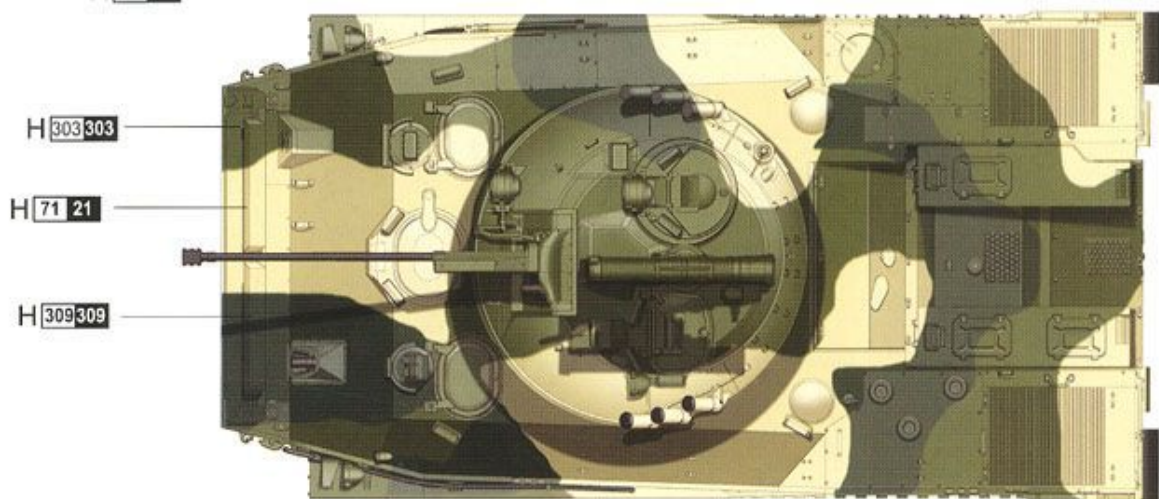
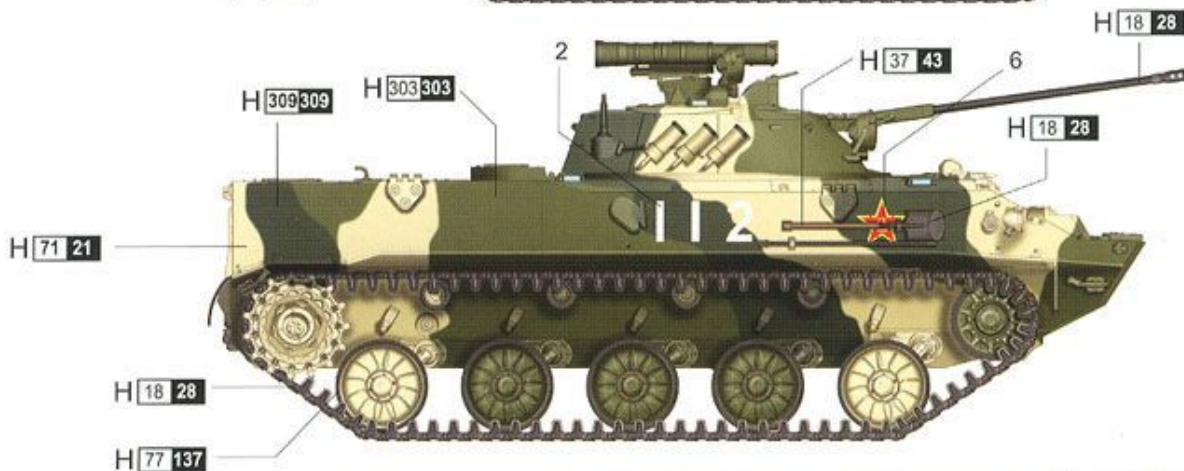
N (E) ACRYSION COLOR

HOBBIY SEARCH

涂装同标贴指示 Painting & Marking guide

C

PAINT REFERENCE COLOR						
Color	Mr.Hobby	Acrycion	Vallejo	Model Master	Tamiya	Humbrol
木棕色 Wood Brown	H 37 43	N 37	983	1701	—	186
黑灰色 Steel	H 18 28	N 18	—	1702	—	—
黑黑色 True Black	H 77 137	N 77	—	—	—	—
砂灰色 Sandy Brown	H 71 21	N 71	821	—	—	84
绿色 Forest Green	H 309 309	N 309	863	1710	XF58	116
浅绿 Light Green	H 303 303	N 303	—	1713	XF20	117
平黑 Flat Black	H 12 33	N 12	950	1749	XF1	33

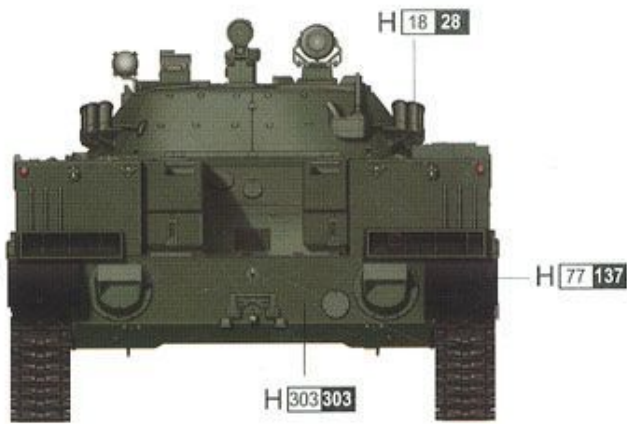
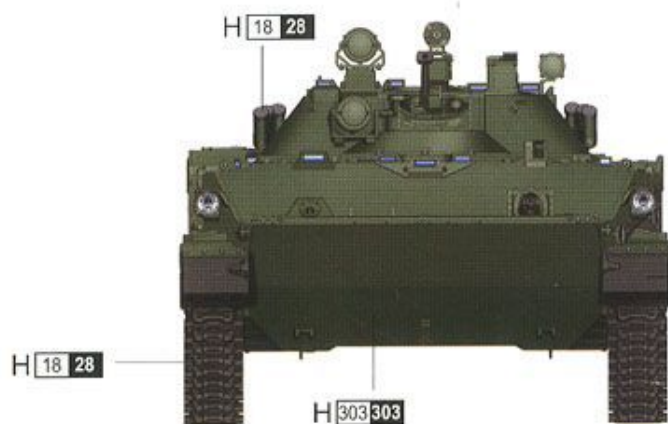
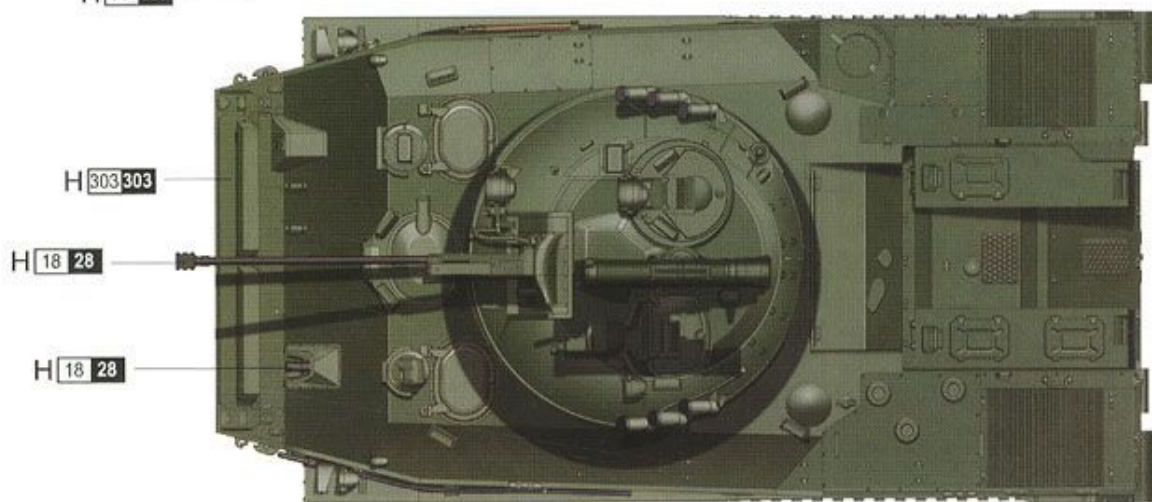


H AQUEOUS HOBBY COLOR Mr. COLOR N ACRYSION COLOR

涂装同标贴指示 Painting & Marking guide

D

PAINT REFERENCE COLOR						
Color	Mr.Hobby	Acryslon	Valljo	Model Master	Tamiya	Humbrol
木棕色 Wood Brown	H 37 43	N 37	983	1701	—	186
钢铁色 Steel	H 18 28	N 18	—	1702	—	—
胎黑色 Tire Black	H 77 137	N 77	—	—	—	—
浅绿 Light Green	H 303 303	N 325	—	1713	XF20	117
消光黑 Flat Black	H 12 33	N 12	950	1749	XF1	33



H AQUEOUS HOBBY COLOR

Mr. COLOR

N ACRYSLON COLOR

HOBBY SEARCH