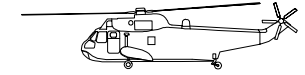


# BB-03: Gulf War Modifications for CH-124A

## Kit: Hasegawa Sea King 1/48

**Belcher Bits**

33 Norway Spruce Street, Stittsville, ON, Canada K2S 1P3  
Phone: (613) 836-6575, e-mail: info@belcherbits.com

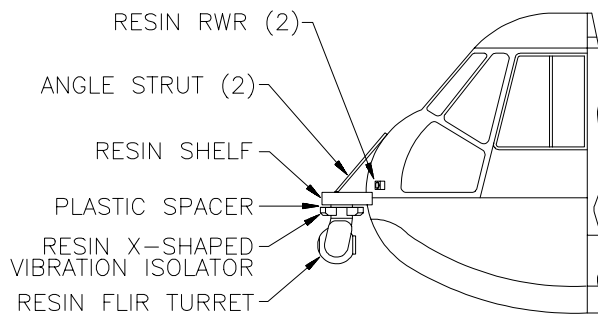
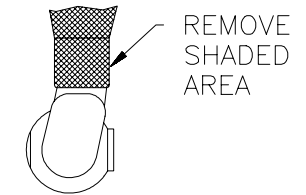


### Background

In 1990, a Canadian Naval Task Group was sent to the Persian Gulf to assist with the embargo of Iraq. Prior to departure, six Sea Kings (12410, 412, 413, 417 and 426) were modified to improve their self-defence capabilities and their ability to monitor shipping. These modifications included fitting a FLIR turret, an AN/ALQ-144 IR jammer, an M130 Flare dispenser, an AN/ALE-37 chaff/flare dispenser and radar warning receivers.

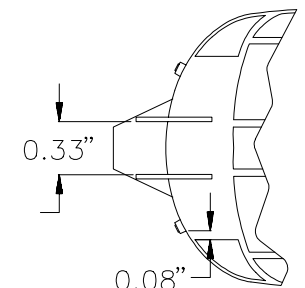
### Preparations

As this represents the latest version of CH-124, Belcher Bits No.1 **and** No. 2 will also be required. These provide the standard sponsons and radome, and the sonobuoy launchers needed. For this set, some of the pieces are moulded on backing plates. They should be removed from this by sanding the backing plate away. The four small radar warning receivers can be **carefully** sliced from the plate. The FLIR turret should be trimmed as shown at right.



### FLIR Turret / Forward RWR Installation

This is supplied in three resin pieces; a couple of small plastic bits are also needed. The shelf is glued to the nose of the aircraft, its top in line with the edge of the nose window frame. This shelf is supported by two angle struts which span the small door in the nose (see the sketch below). These are too fine to mould reliably; construct your own from 0.010" x 0.020" Evergreen strip. Below the shelf, glue a spacer made from 0.020" card (about 1/8" dia). To this is attached the X-shaped vibration isolator (flat side on top) and finally the turret itself. The mounting arms really are slanted



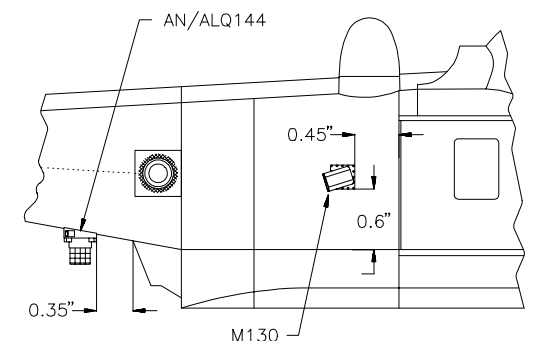
slightly forward, so don't try to straighten things up! The IR sensor ball is given in its normal stowed position with the lens facing the aircraft. The shelf and supports are airframe colour, while the vibration isolator and FLIR are black. A pair of black cables run from the aft top part of the FLIR to a plug in the nose, just to the starboard side of the shelf.

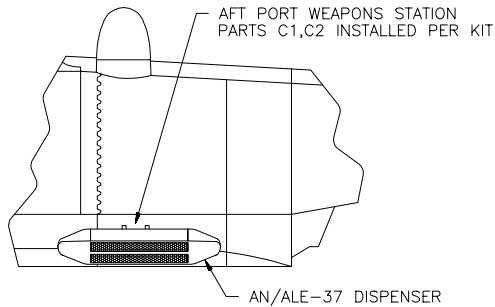
On either side of the shelf are installed the two box-shaped radar warning receivers (RWR). The bottom of these are in line with the top of the shelf. .

### M130 Flare Dispenser / AN/ALQ-144 IR Jammer

Glue on the M130 in the indicated position: Base is airframe colour, dispenser is black.

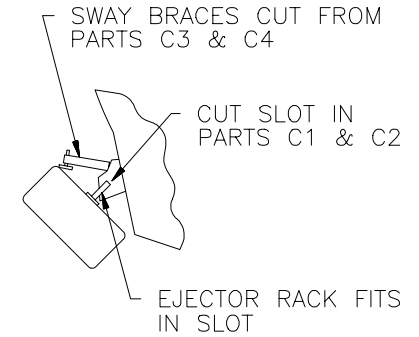
The base of the ALQ144 is really a U-shaped metal bracket, open in front and rear. Careful use of a file will allow you to remove the inside of the 'U'. The small triangular based RWRs are glued on either side of this base at the aft end. Glue the jammer to the bottom of the tailboom where indicated. The base is grey, upper cylindrical section black, lower section metallic blue or gold, depending on how you look at it. A cable runs from the forward side of the upper cylindrical section of the jammer to a plug on the underside of the tailboom about 0.15" ahead.





### AN/ALE-37 Chaff / Flare Dispenser Installation

This unit is carried on the aft weapons station, port side only. A good detail shot of the weapons launcher / ejector rack can be seen in RT Vol 15 No.4. Install the kit parts C1 & C2 as per instructions. When dry, carefully cut a slot in both parts at 45 degrees with a saw; slot width should be 0.020". This should be done prior to painting the model; the rest is best done after. Using the piece of Evergreen 0.020" x 0.080" strip included, cut a piece 3/8" long and glue it to the two small cylindrical disks moulded on the back of the chaff dispenser, narrow side up; this represents the ejector rack. The dis-



penser appears to be a lighter grey than the airframe colour, while the dispenser chute arrays are very dark grey; the ejector rack is natural aluminum. Fit the dispenser into the slot in the launcher bases and glue. When set, cut the sway braces from kit parts C3 & C4 and fit as shown in the sketch; these are airframe grey.

### Other Modifications

Some time prior to these mods, CH-124s received a strake on the aft port fuselage to improve stability in the hover. It runs from a point in line with the centre of the radome to the last panel line before the tail fold joint; it appears to be aligned with the longitudinal rivet line second from the driveshaft cover. I would use Evergreen 0.010" x 0.100" strip, with 0.010" x 0.020" strip as the mounting flange.

Gulf War Sea Kings also had a Global Positioning Satellite (GPS) receiver fitted. It was mounted on a U-shaped plate over the tail rotor shaft cover. This was too small to include but is easy to scratchbuild. About 1/8" forward of the tailboom / fuselage joint, glue a 5/32" square of 0.020" card to the top of the shaft cover and the same size square on each side. In the centre of the top surface, glue another piece of 0.020" card (about 0.10" square, with edges chamfered). Voila ...GPS!

The dipping sonar equipment was removed and the hole in the floor capped with a cylindrical plug about 6" high.. You should remove the representation of the dipping sonar from the well in the fuselage bottom.

Finally, these machines had a door mounted light machine gun fitted. The parts for this are not included, since to see it, you would have to do major mods just to open the aft door, and then you really should detail the interior, which (trust me) is a lot of work. Better to leave the door shut!

### Markings

Current CH-124s are overall semi-gloss grey FS 26173 (available from Xtracolour), with a small anti-glare area on the nose of a slightly darker grey. For markings, Arrow Graphics makes a line of dark grey code and roundel decals. Nose numbers are 18", side numbers are 24" as is the roundel. The flag on the tailboom is 14-1/2" high. The Canada wordmark is 9", with 6" overall height for the Flag / Canadian Forces / Forces Canadiennes logo. Just to make your life difficult, these were hurry-up modifications installed over existing paint schemes. This presents a problem in the nose area where the shelf covers part of the a/c nose number. I recommend you install the mods, paint the model and then trim decals to fit.

### References

1. IPMS Canada RT Vol 16 No.6 (Paint scheme)
2. IPMS Canada RT Vol 23 No.4 (Detail photos)

**Special thanks** to Francois Huot and Steve Sauve for information on this equipment.