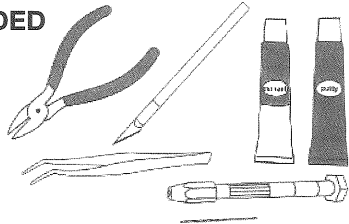


This kit is for 18 years and older. Keep out of reach of small children. Do not allow them to put parts in their mouths or the packaging bags over their heads.

TOOLS NEEDED

Side Cutters,
Tweezers,
Hobby Knife,
Pin Vise &
.040 Drill Bit,
Glue and Putty.



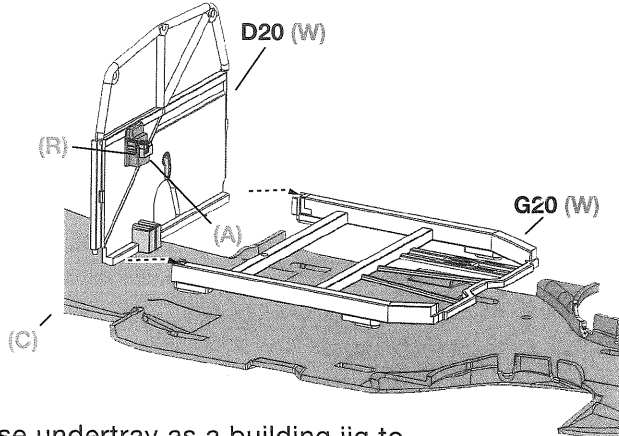
For best results, read this sheet **COMPLETELY** before assembly!

Dry fit parts before paint and assembly, use tube type styrene glue or styrene solvent, never use cyanoacrylate glues! See build video tips at salvinosjrmodels.com/videos.

COLOR CODES

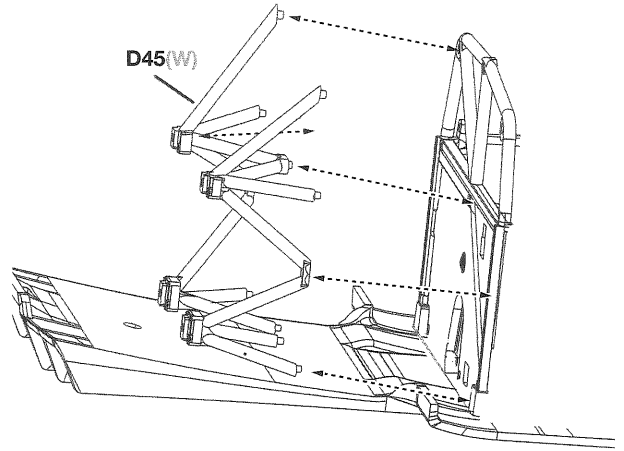
(A)	aluminum	(R)	red
(C)	semigloss black	(S)	steel
(I)	gun metal	(T)	titanium
(M)	brass	(W)	white

1 Attach part D20 to G20

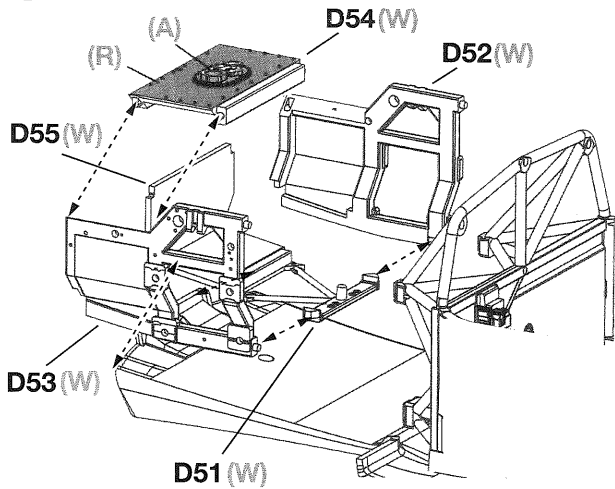


** Use undertray as a building jig to assemble partial cabin cage, but **DO NOT GLUE TO IT YET.**

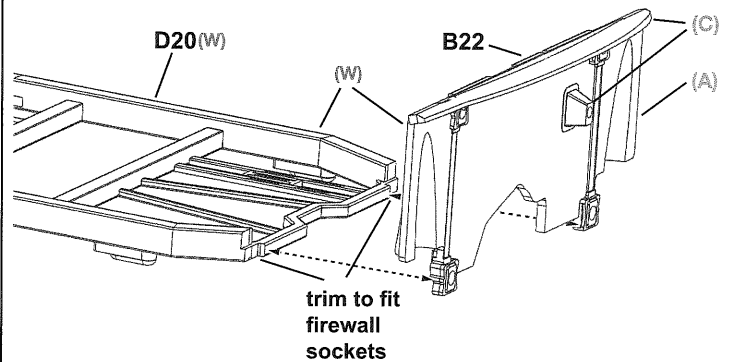
2 Glue truss and forward deck piece together and then to the back firewall.



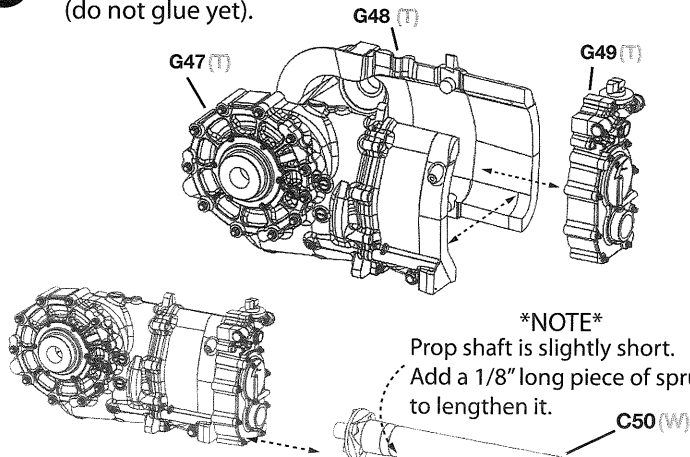
3 Assemble rear chassis pieces and test fit against the rear truss to insure correct alignment



4 Attach firewall to lower chassis base.

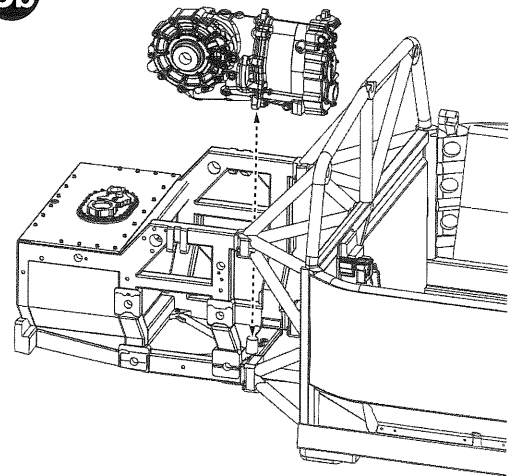


5a Glue Transaxle together, glue in prop shaft and insert it through the hole in the firewall and into the clutch bell (do not glue yet).



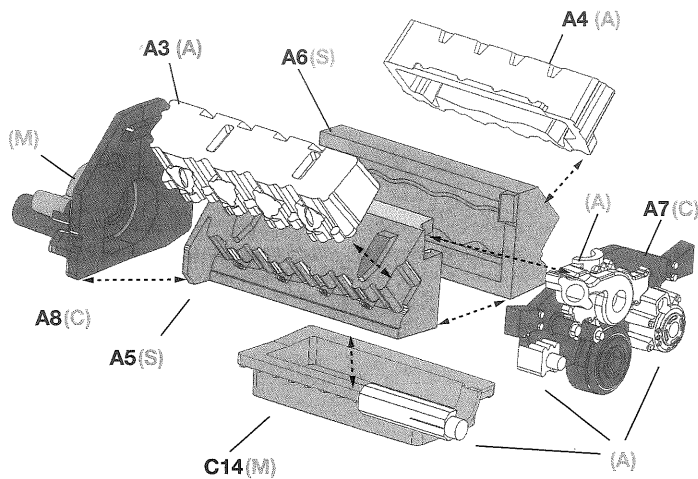
NOTE
Prop shaft is slightly short.
Add a 1/8" long piece of sprue to lengthen it.

5b Install transaxle into chassis

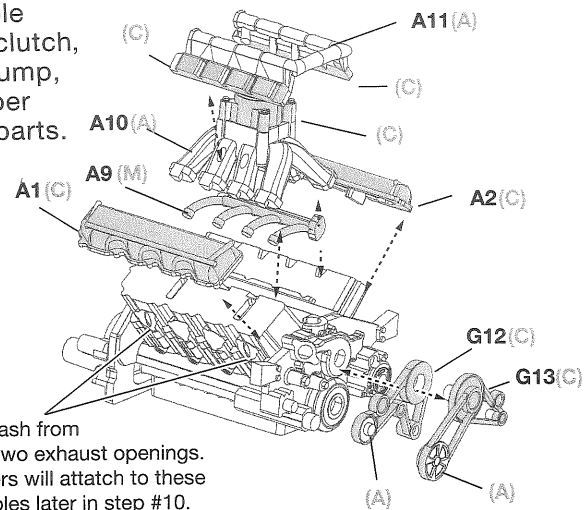


6

Engine assembly



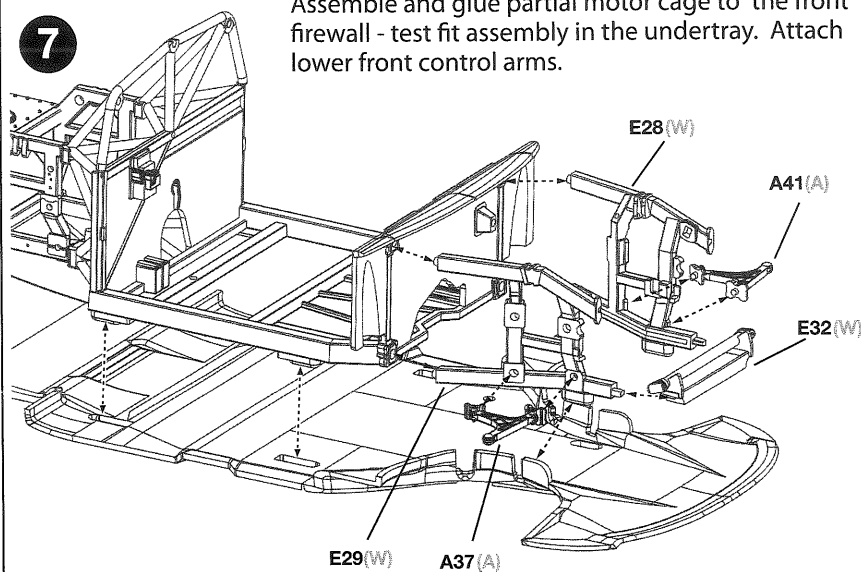
Assemble intake, clutch, water pump, and upper engine parts.



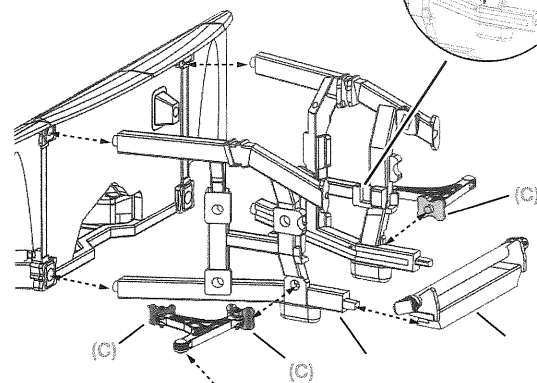
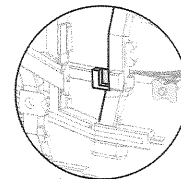
Trim flash from outer two exhaust openings. Headers will attach to these two holes later in step #10.

7

Assemble and glue partial motor cage to the front firewall - test fit assembly in the undertray. Attach lower front control arms.



*Motor tab slot location for step #9

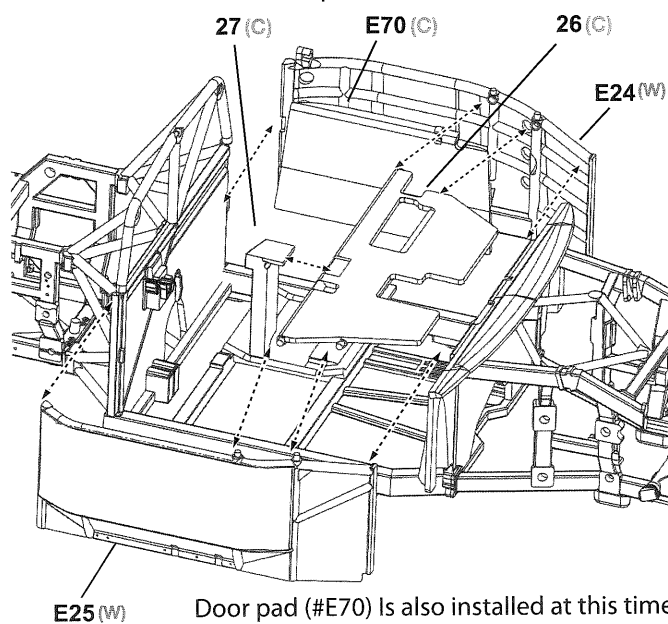


NOTE
Stack three pennies under outer ball joint on each side to set correct ride height.

**** Do not glue chassis to undertray yet****

8

Attach both door sides to the lower chassis base and front and rear bulkheads. As well as the dash and switch panel.

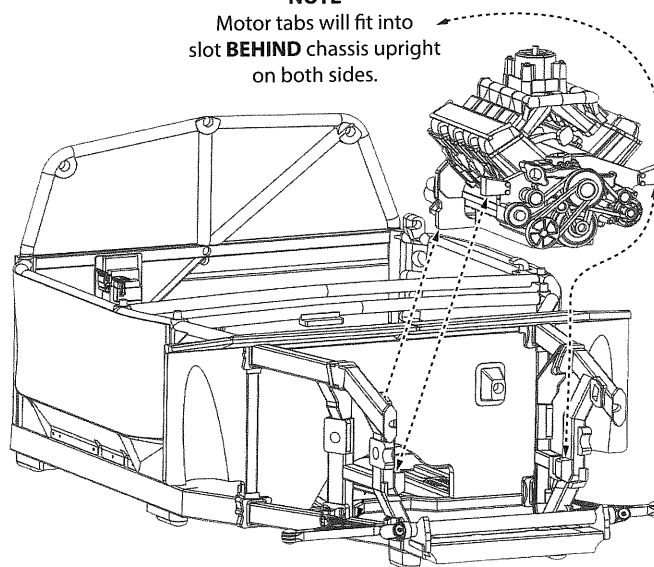


Door pad (#E70) is also installed at this time.

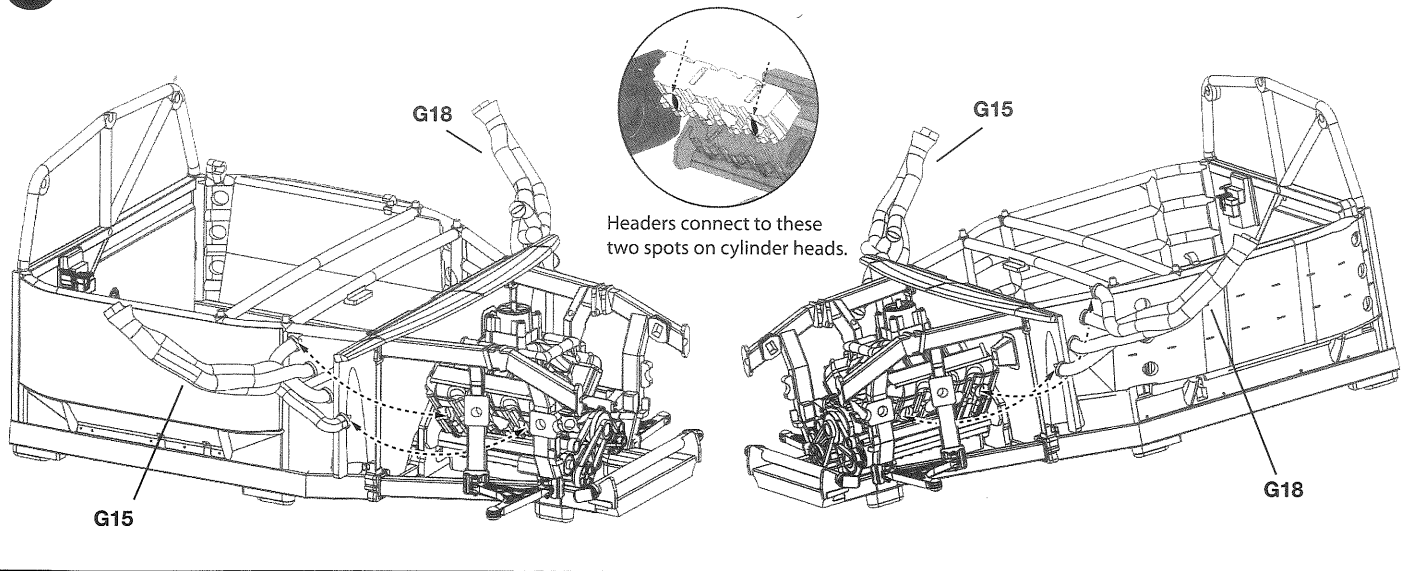
9

Glue bottom of clutch bell to roll cage bottom and motor mounts to cage sides.

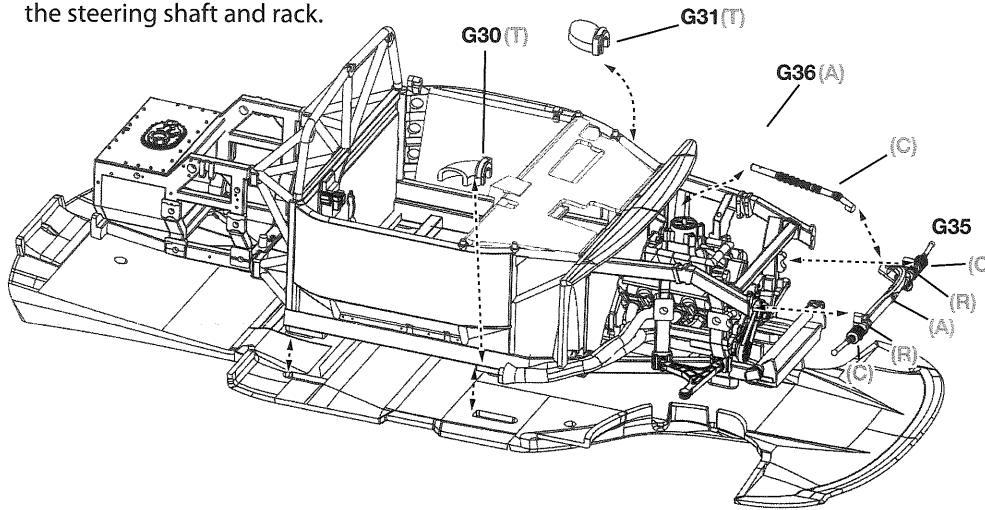
NOTE
Motor tabs will fit into slot **BEHIND** chassis upright on both sides.



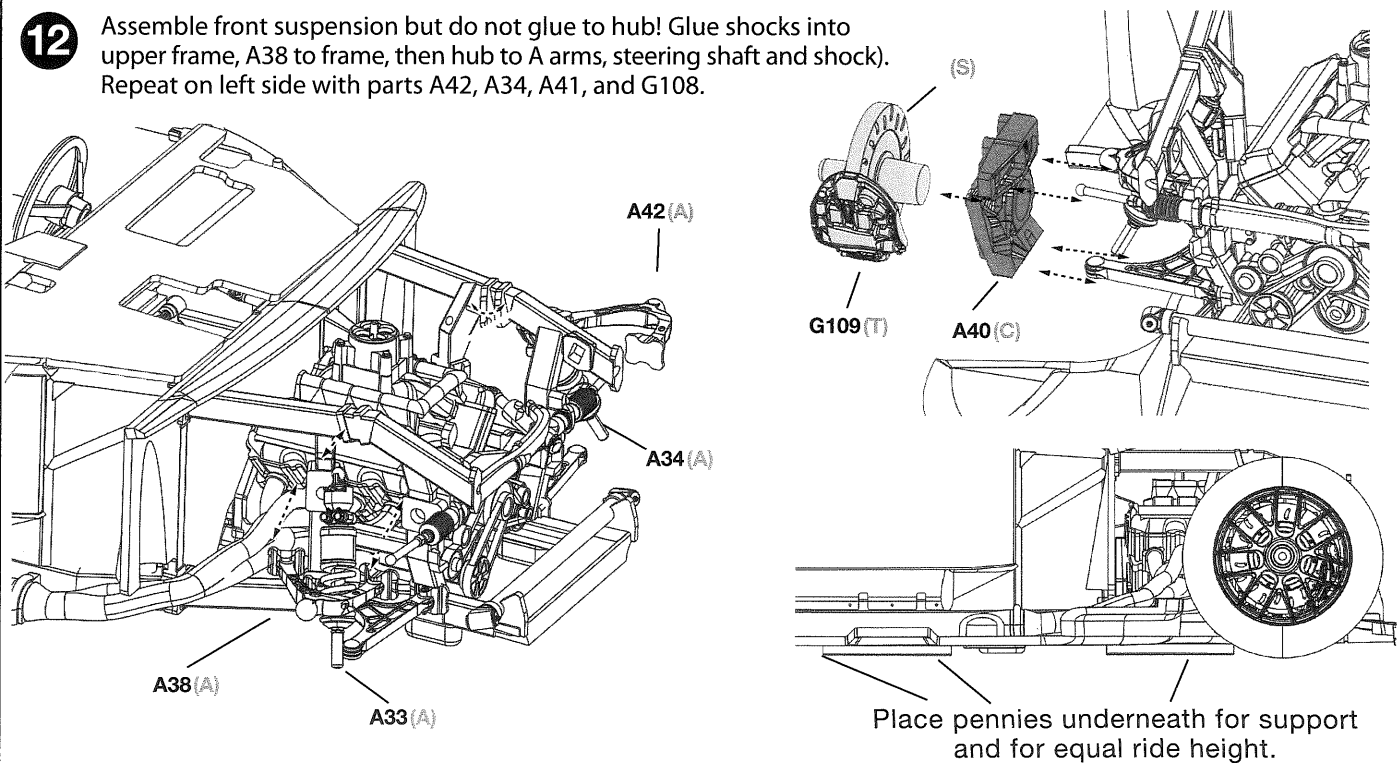
10 Rotate headers through cage openings and glue to the heads.



11 Make sure all cage parts are glued **very** tightly against the undertray! Glue on the exhaust tips to the headers and undertray, and attach the steering shaft and rack.

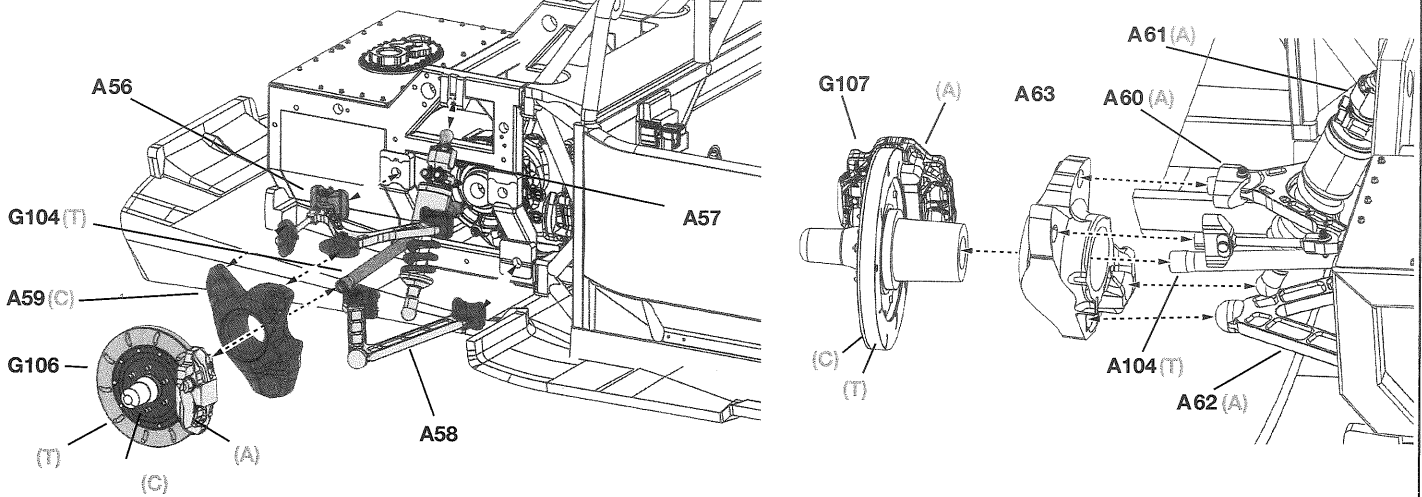


12 Assemble front suspension but do not glue to hub! Glue shocks into upper frame, A38 to frame, then hub to A arms, steering shaft and shock). Repeat on left side with parts A42, A34, A41, and G108.

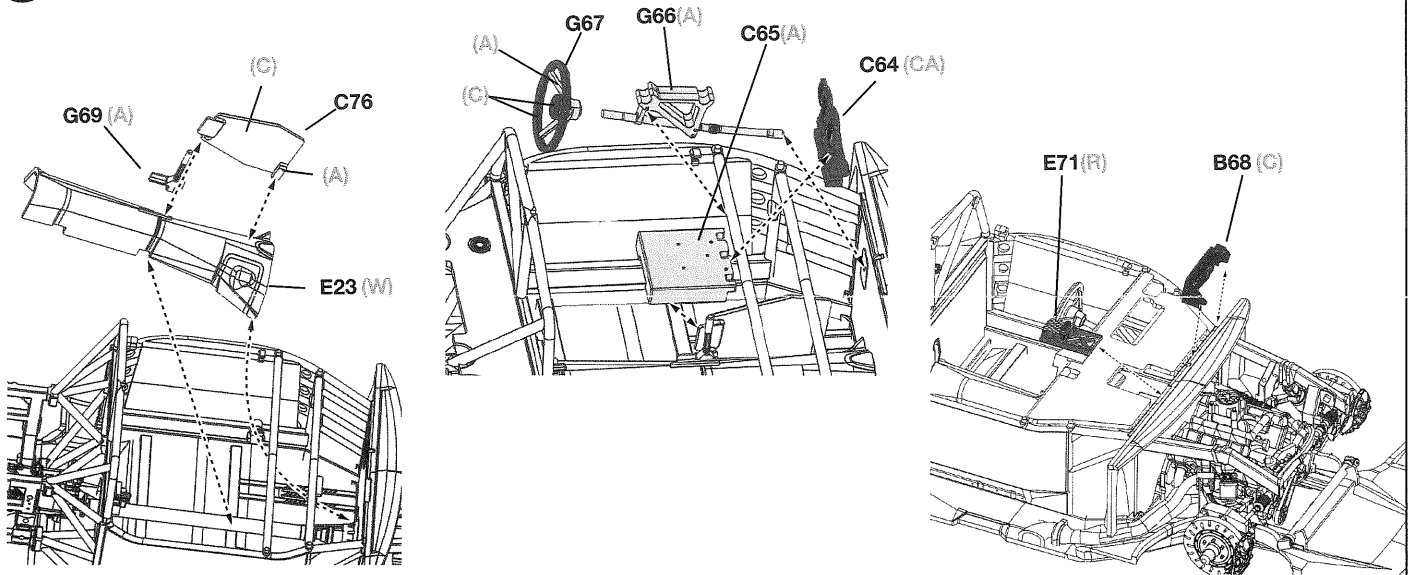


13

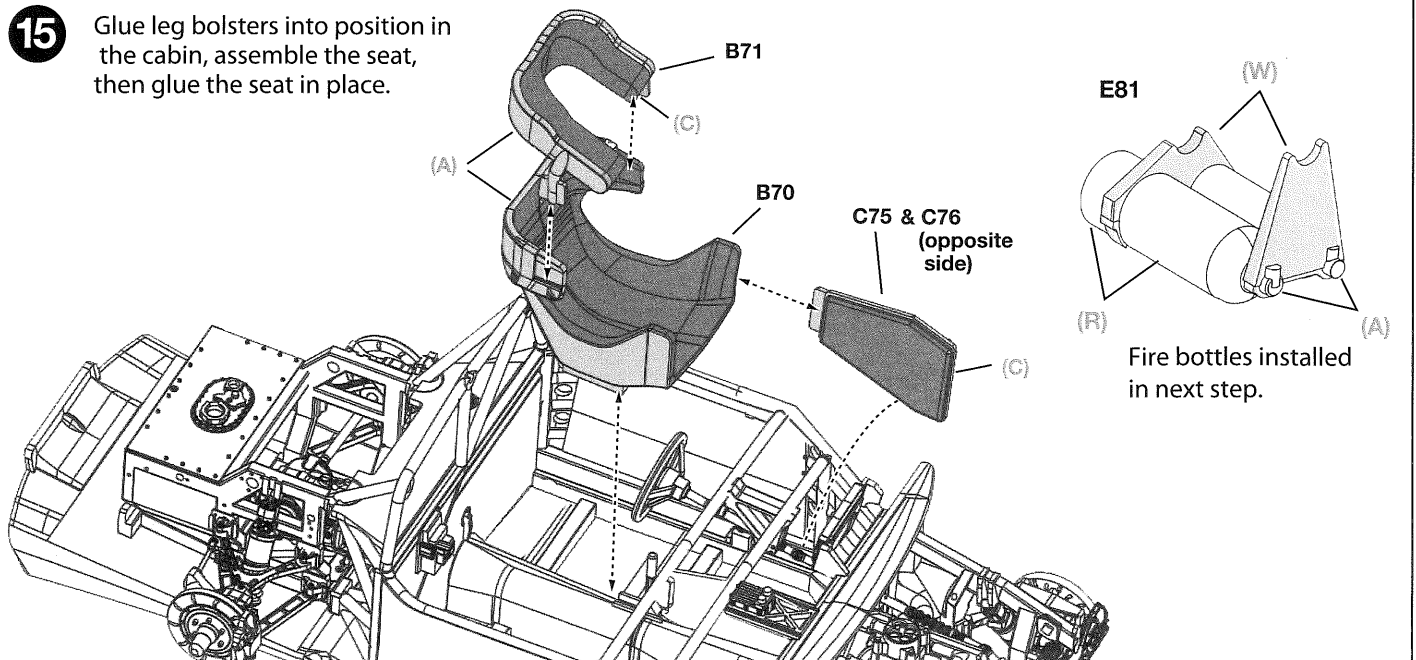
Assemble rear suspension right side: glue shock, A56, and A58 into frame and then the other ends into A59. insert G104 through A59 opening and into transaxle, and into G106, and glue in place; repeat on the left side. The arrows on the tree indicate the top of the parts B58 and B62 and point forward, do not flip or reverse them.

**14**

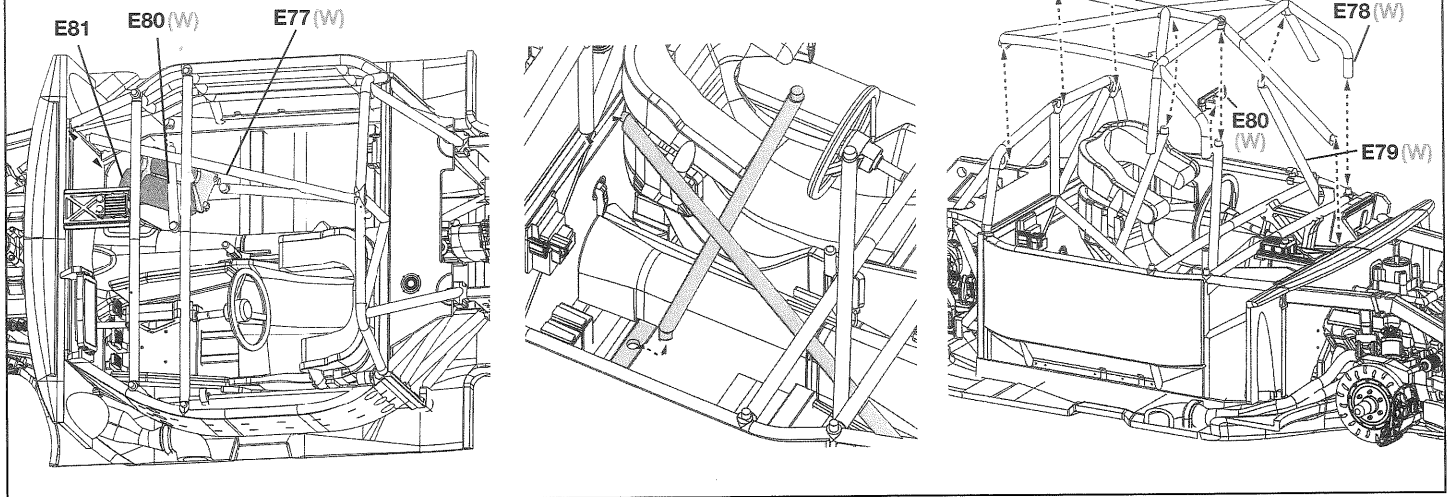
Install controls and electronics.

**15**

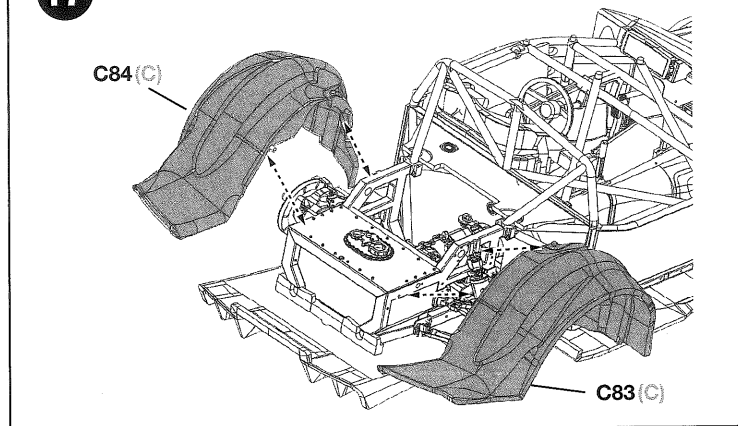
Glue leg bolsters into position in the cabin, assemble the seat, then glue the seat in place.



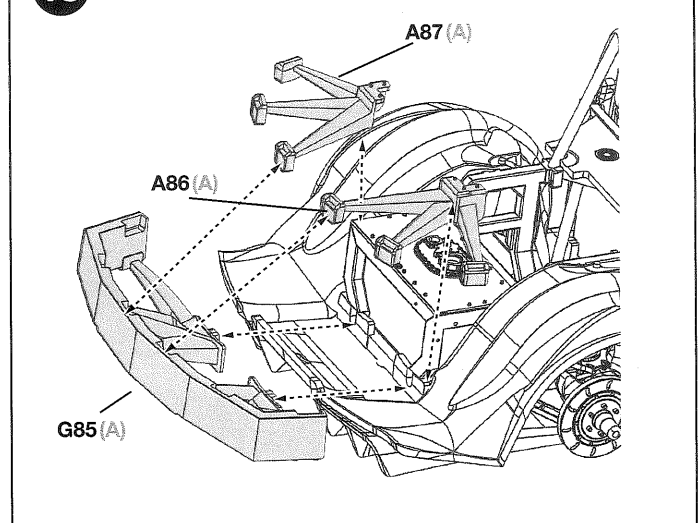
16 Glue in Petty Bars and fire tanks, then cage to side panels top.



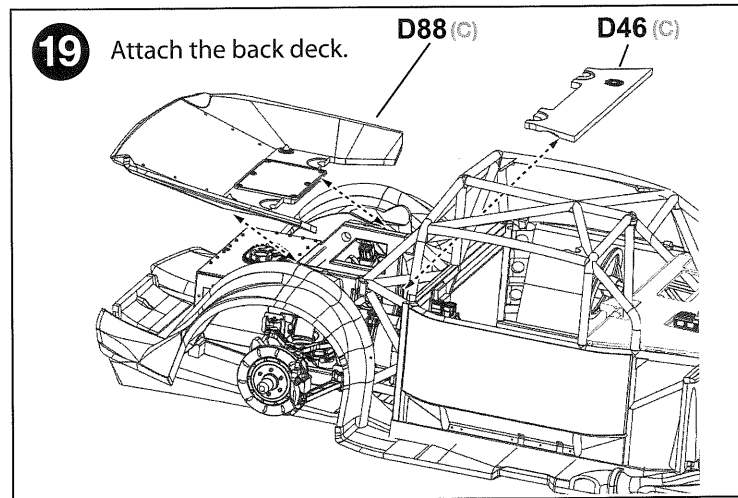
17 Glue in the rear wheel wells.



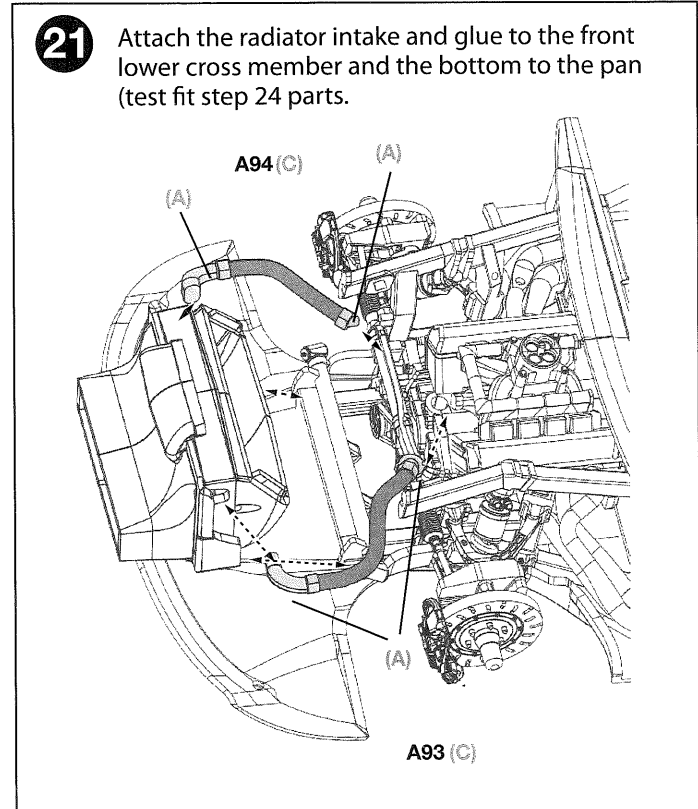
18 Attach the rear bumper.



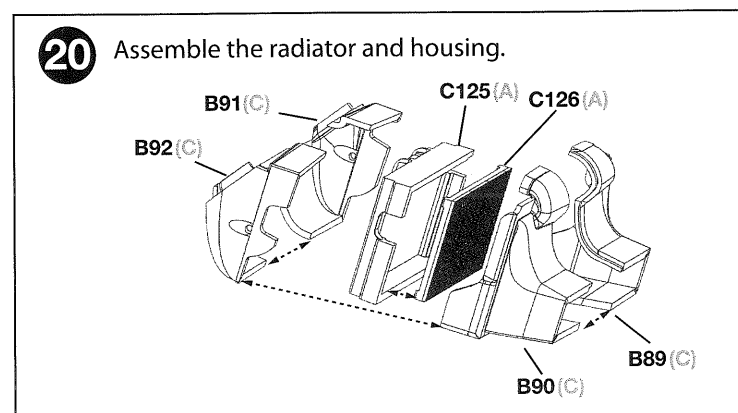
19 Attach the back deck.



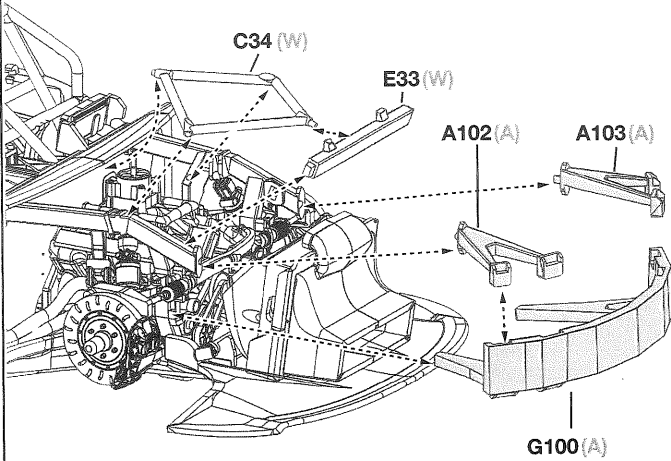
21 Attach the radiator intake and glue to the front lower cross member and the bottom to the pan (test fit step 24 parts).



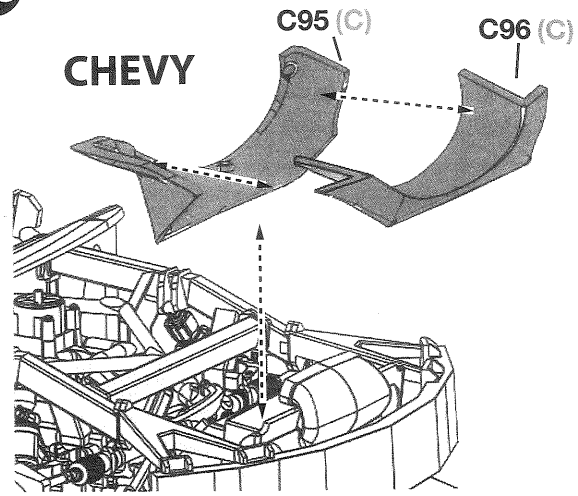
20 Assemble the radiator and housing.



22 Complete the engine cage, spread G100 slightly to fit around radiator shroud, glue along with upper supports.



23 Glue together the intake snorkel parts.

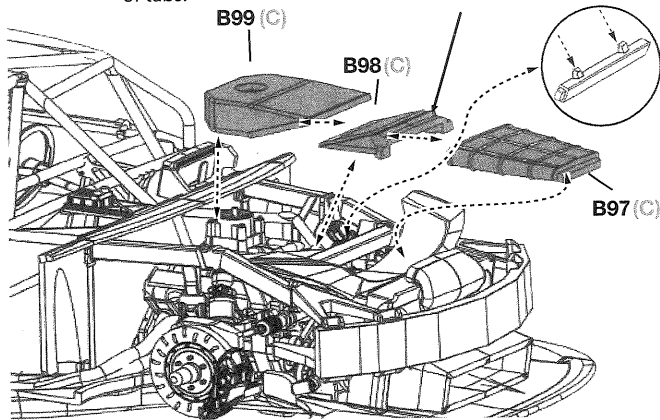


T 95 (C) > **TOYOTA (OR) FORD** < M 95 (C)
T 96 (C) > **TOYOTA (OR) FORD** < M 96 (C)

24 Assemble and attach the snorkel (gluing optional on B99).

****NOTE****
Make sure snorkel ears go on top of cross bar in front of tabs.

CHEVY-TOYOTA

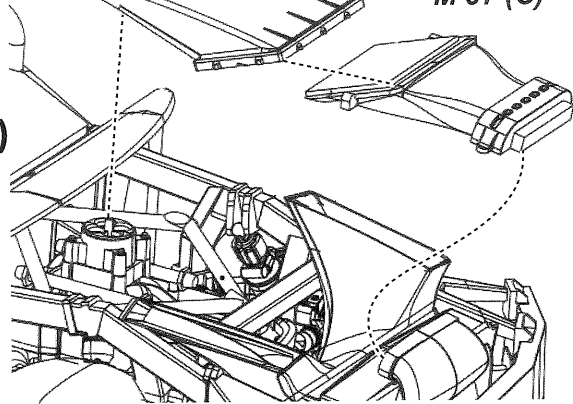


M 99 (C)

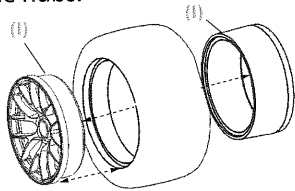
FORD

M 97 (C)

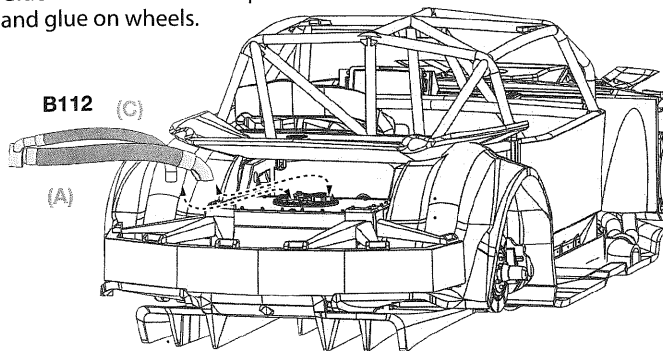
(OR)



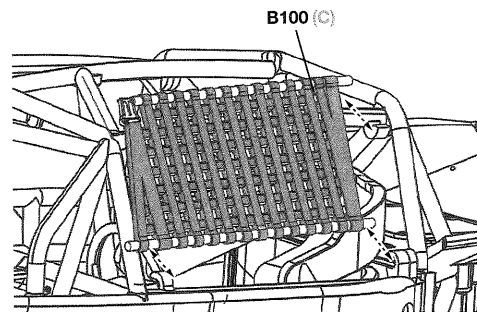
25 Assemble the wheels but do not glue them to the hubs.



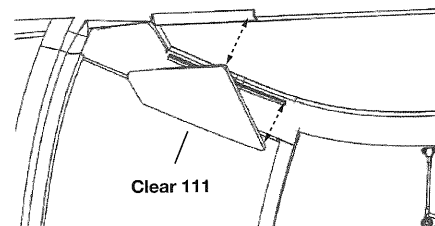
Glue fuel filler into the top of the fuel cell and glue on wheels.



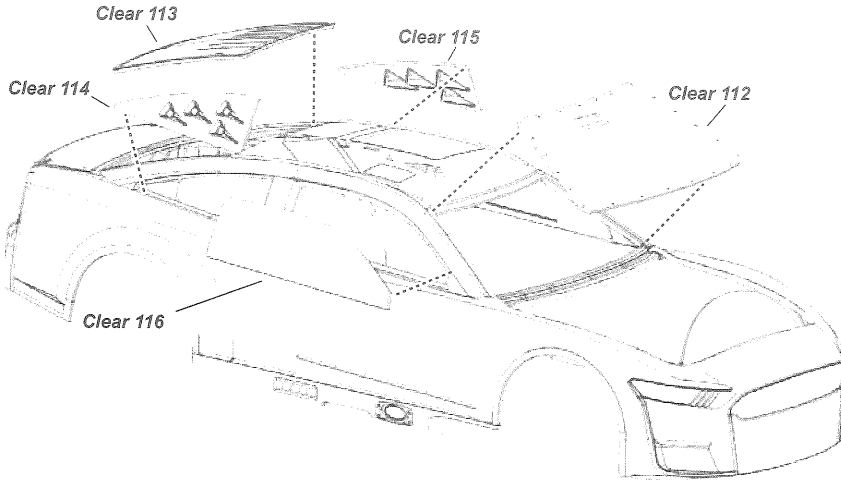
26 Glue window net into roll cage.



Glue triangular net or clear window into body.

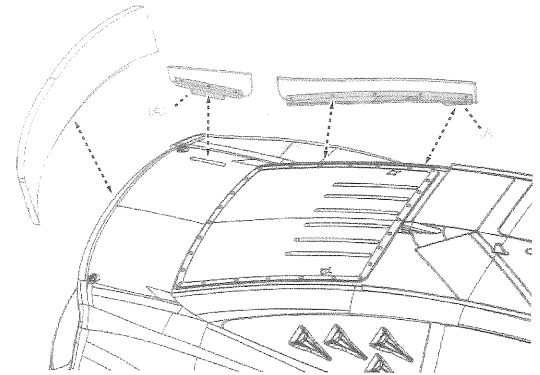


27 Glue the windows (use Shoe Goo or Mod Podge).

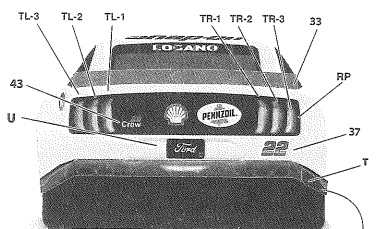
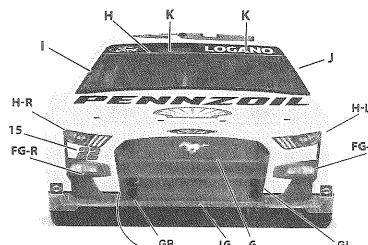
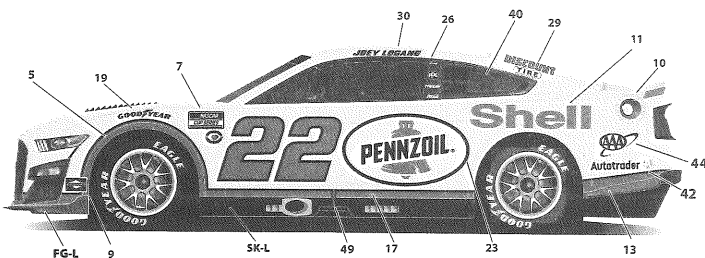
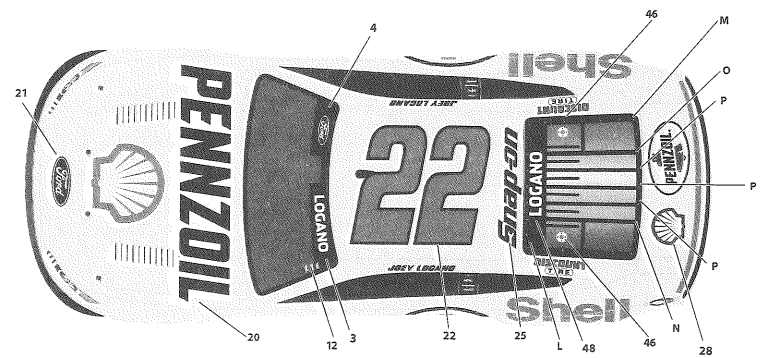
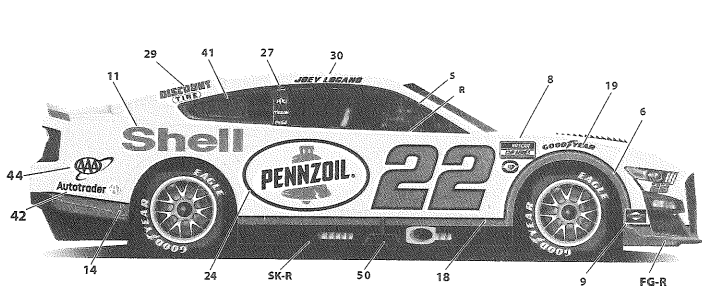
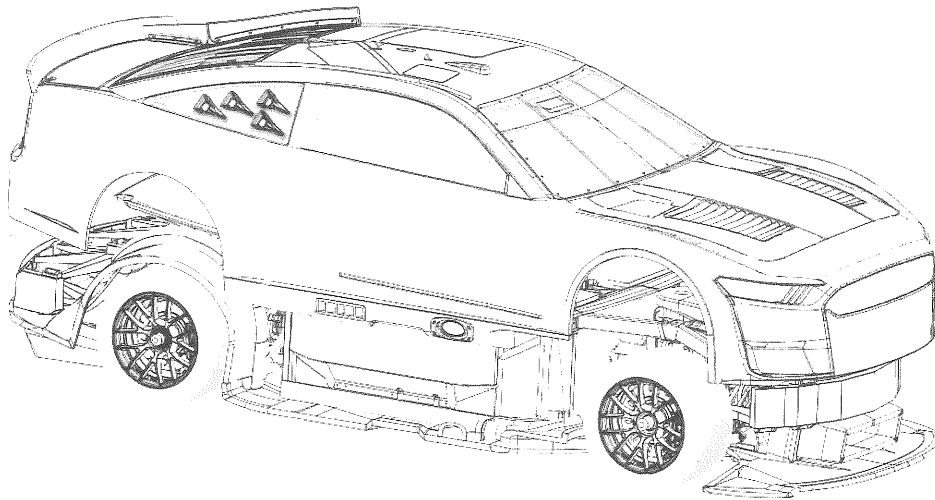


28 Trim the vinyl if necessary and glue on vertical fins and choice of spoiler, clear 119 or F120.

Clear 119 with (C) mounting face or F120 (C)



29 Place finished body onto the chassis. Admire your work!



NOTES:

WHEELS: POLISHED CHROME
CHASSIS: VERY LIGHT GRAY

DECAL #1 GOES ON ELECTRONIC DASH
DECAL #2 GOES ON FIRE BOTTLE

BBS DECALS ARE ADDED
ONE PER WHEEL

*APPLY LOWER BLACK/RED GRAPHIC STRIP
TO NOSE BEFORE FOG LIGHT CLUSTERS
AND CENTER GRILL

*APPLY LOWER BLACK/RED GRAPHIC STRIPES
BEFORE "T" ON REAR BUMPER

*APPLY DECAL "U" FIRST FOLLOWED BY
DECAL "37"