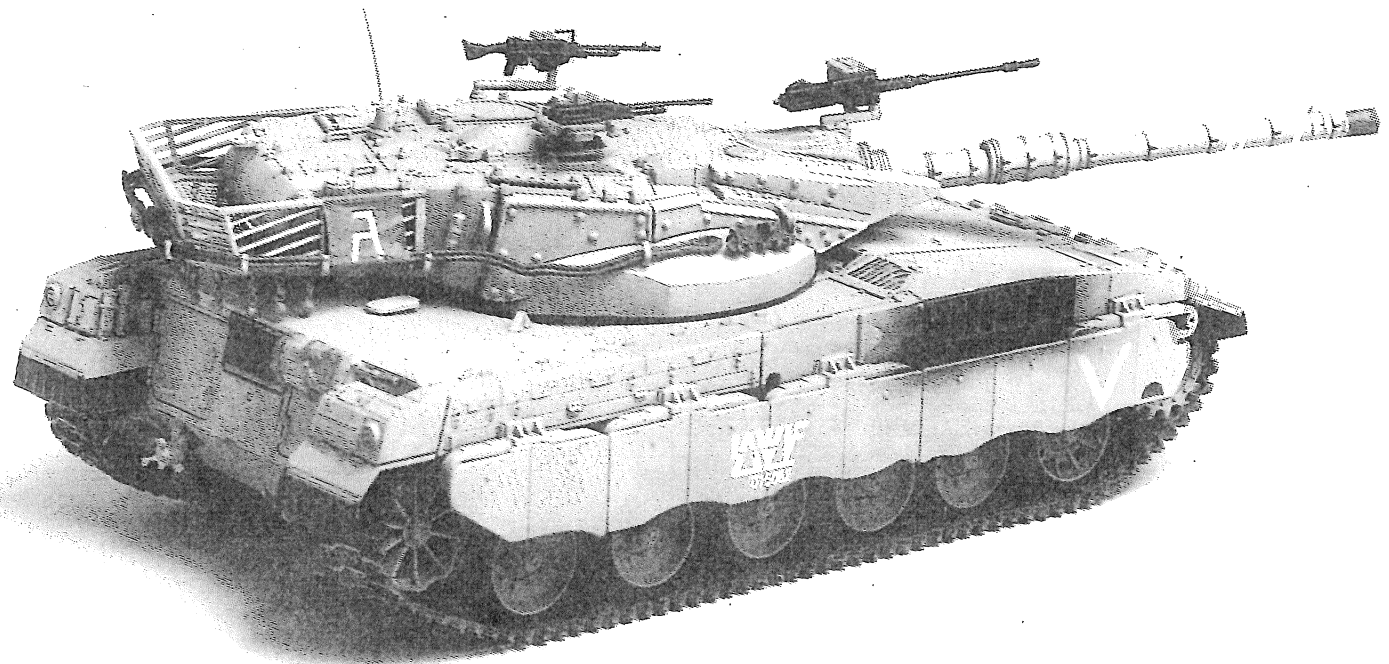
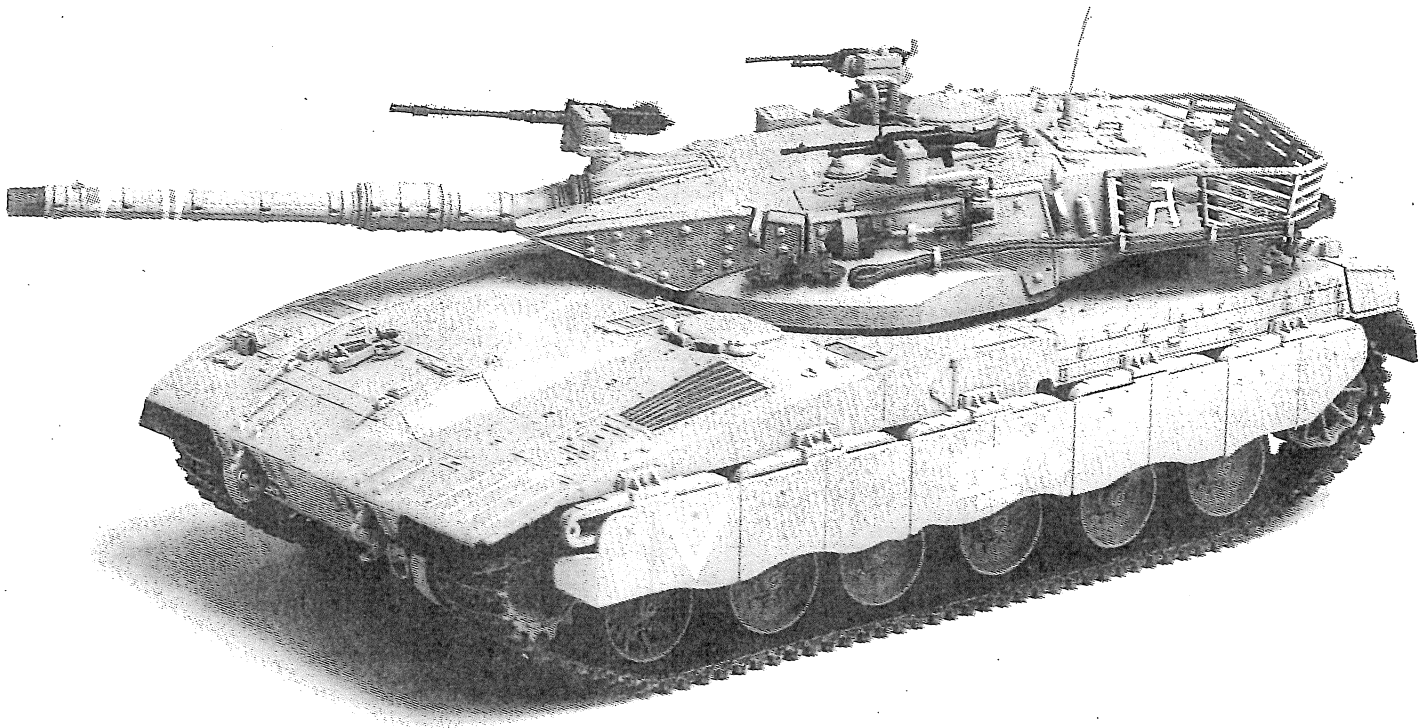


MERKAVA MKIII

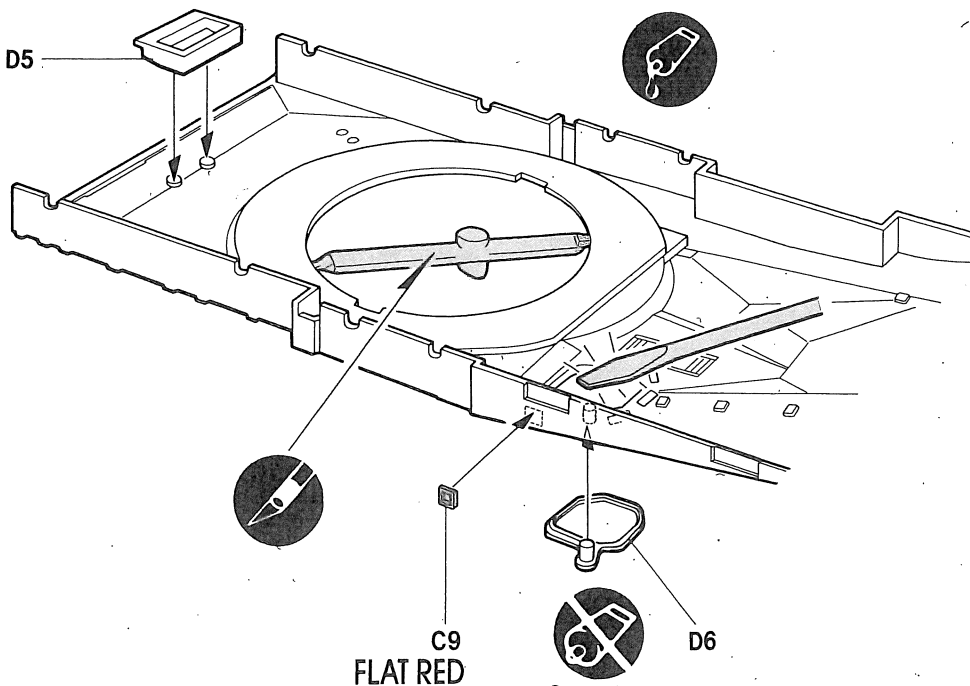
Israeli Main Battle Tank

1/35 Scale

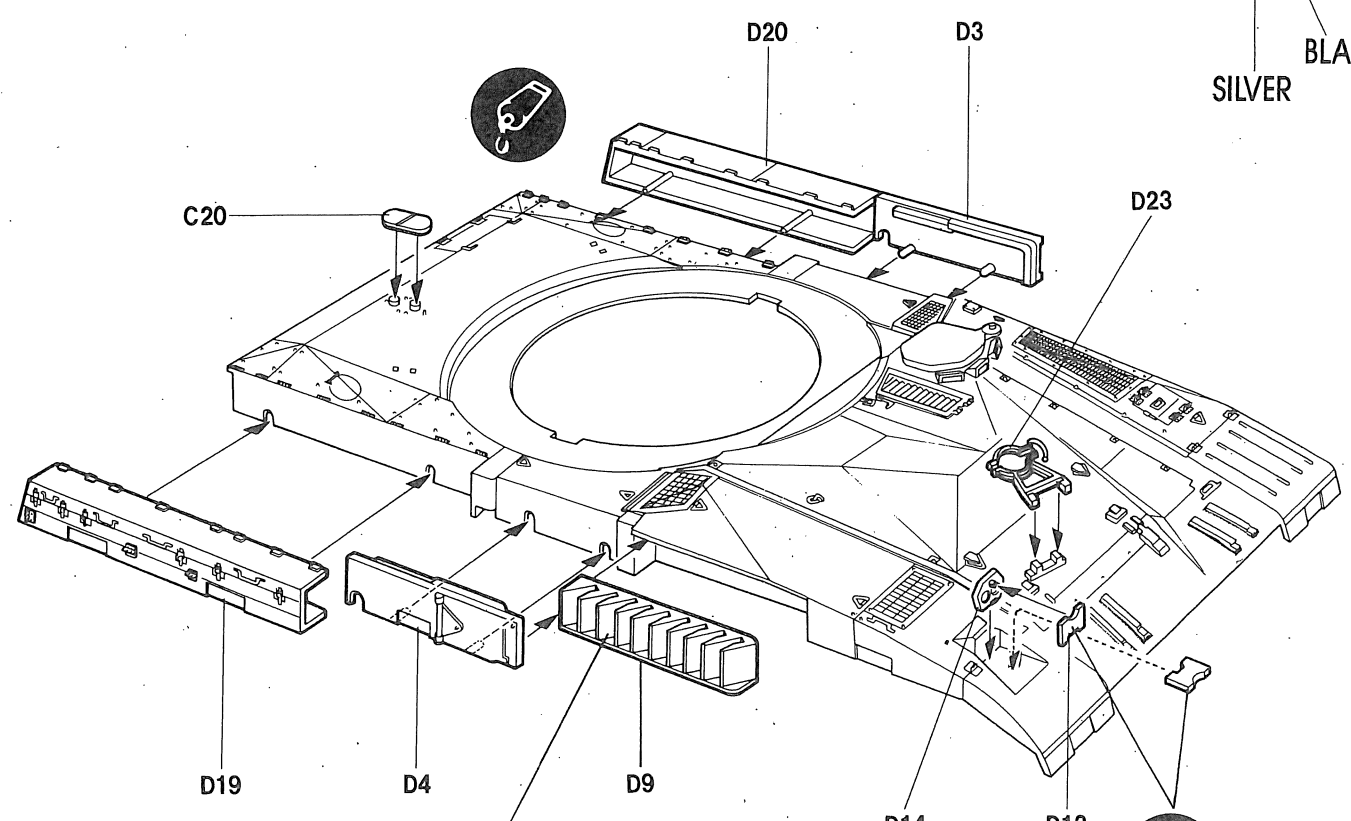
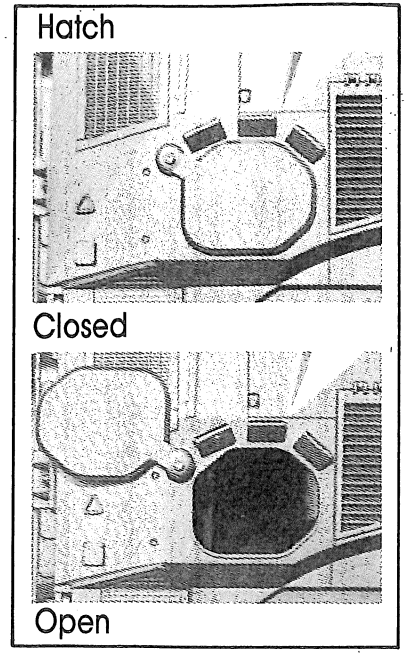
ACADEMY
MINICRAFT



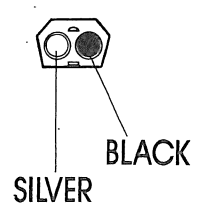
Upper Body Assembly



Carefully melt shaft with a heated screwdriver.



Headlight

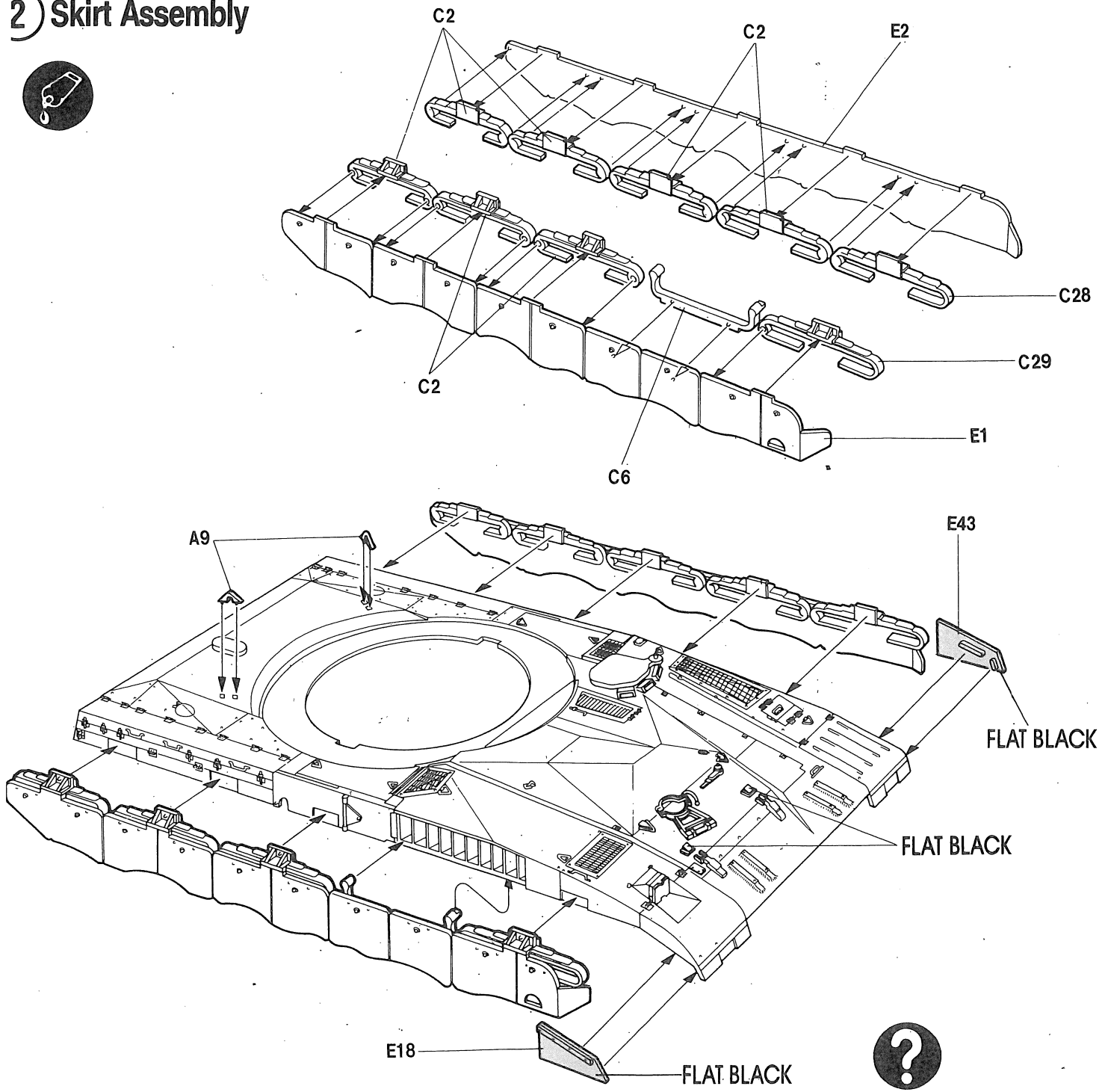


Paint FLAT BLACK inside to simulate exhaust.



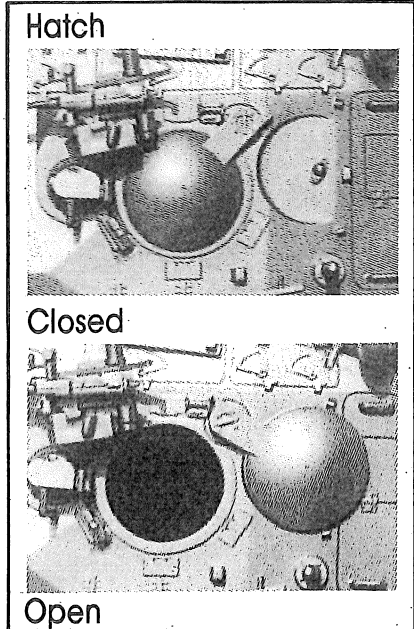
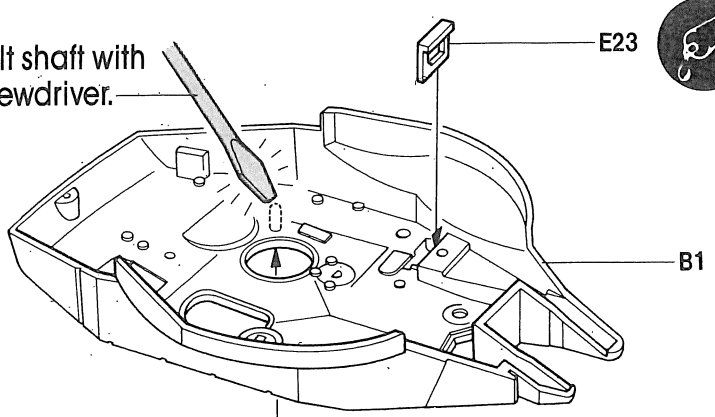
Headlight;
Open or Closed.

2) Skirt Assembly

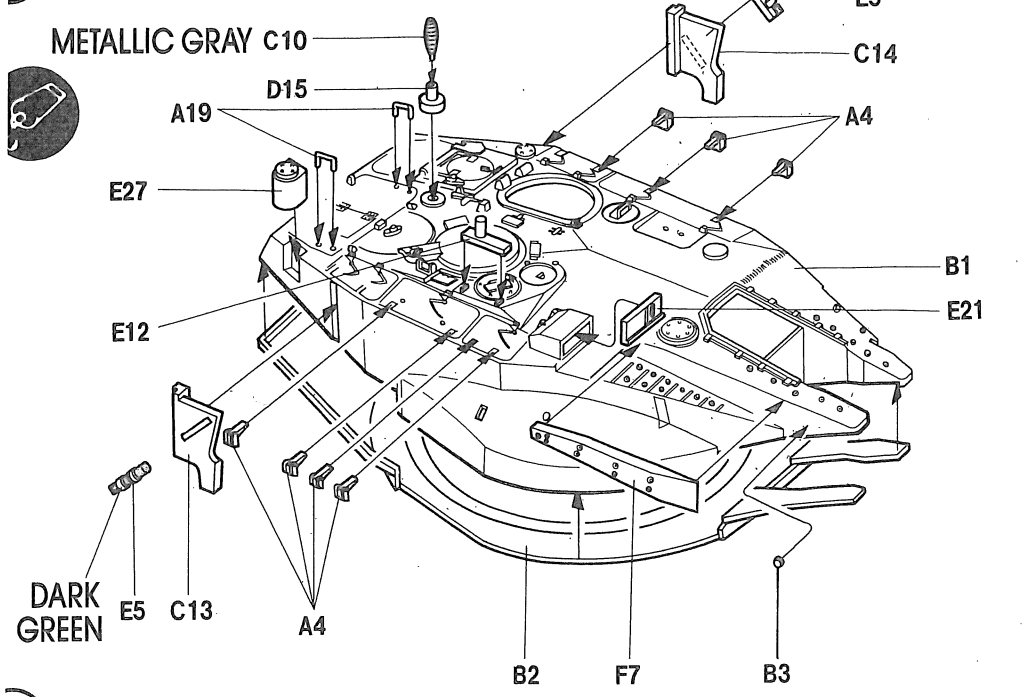


3) Commander's Hatch

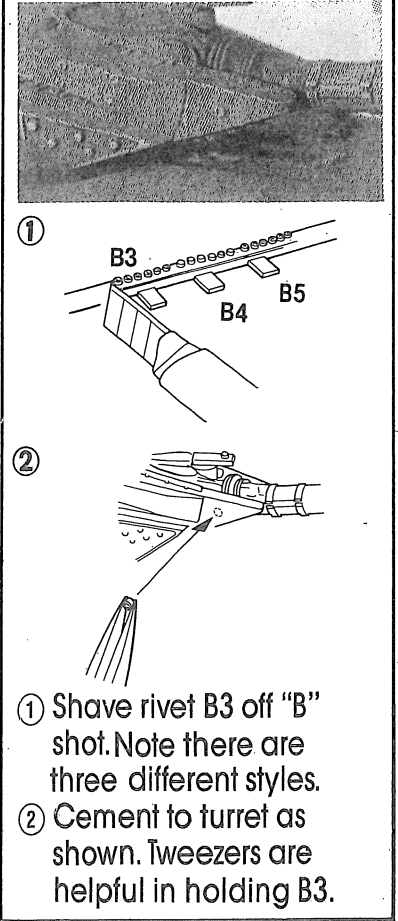
carefully melt shaft with heated screwdriver.



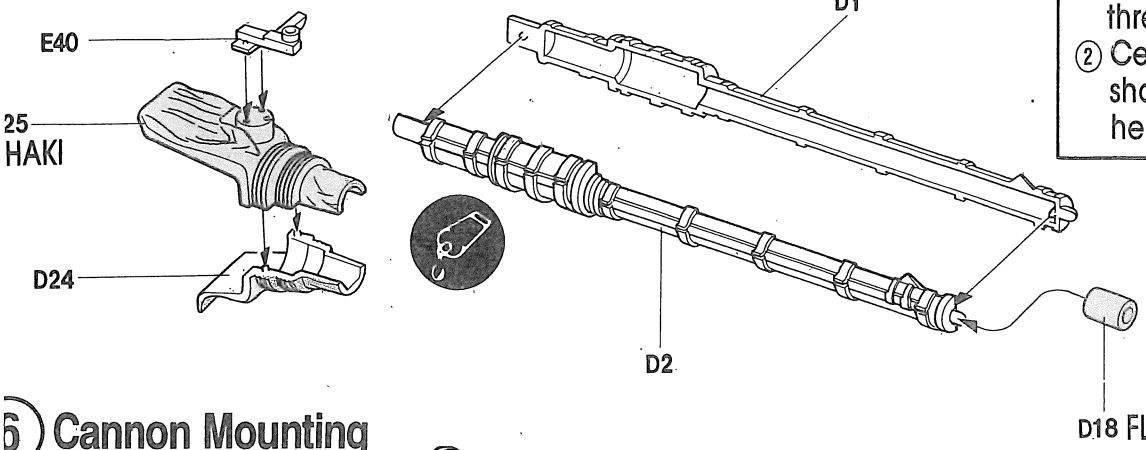
4) Turret Assembly (Right)



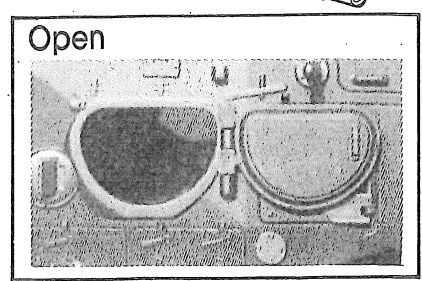
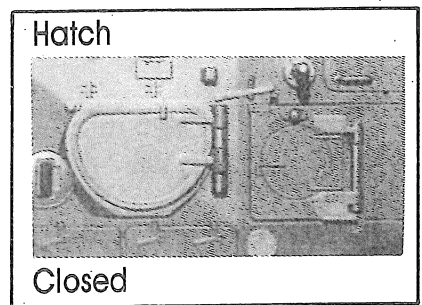
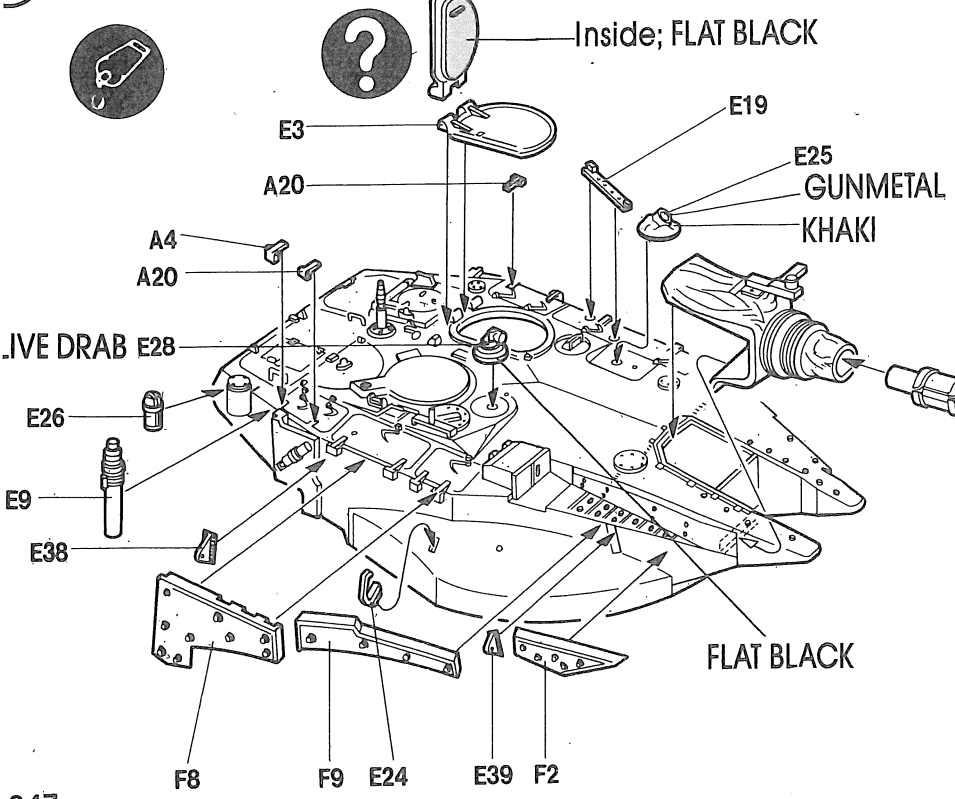
Rivet Detail on Turret



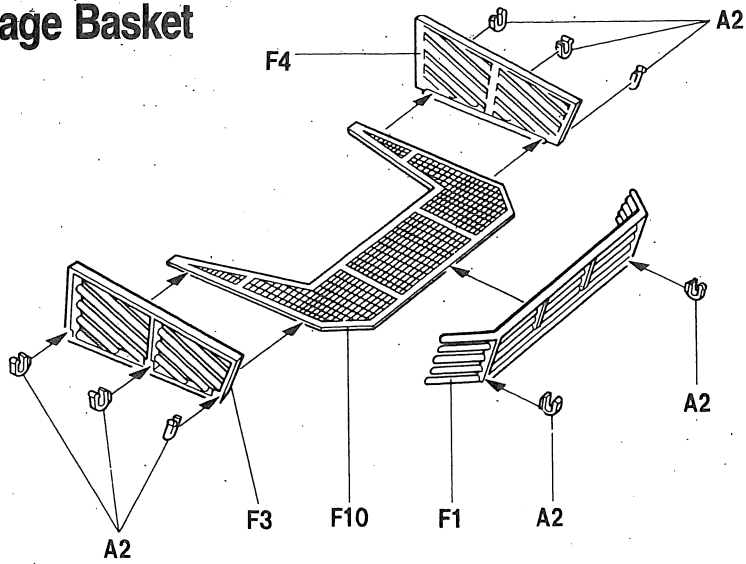
5) Cannon Assembly



6) Cannon Mounting



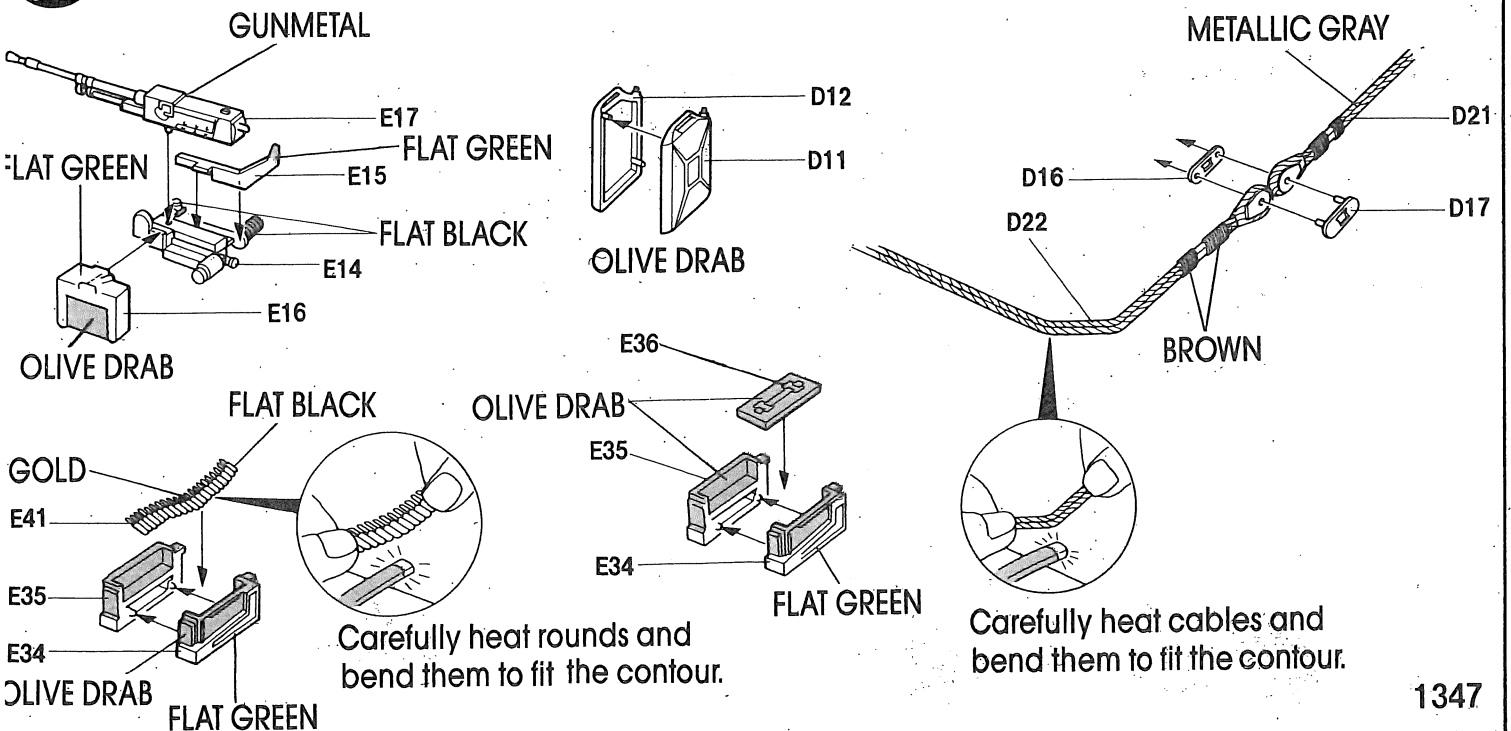
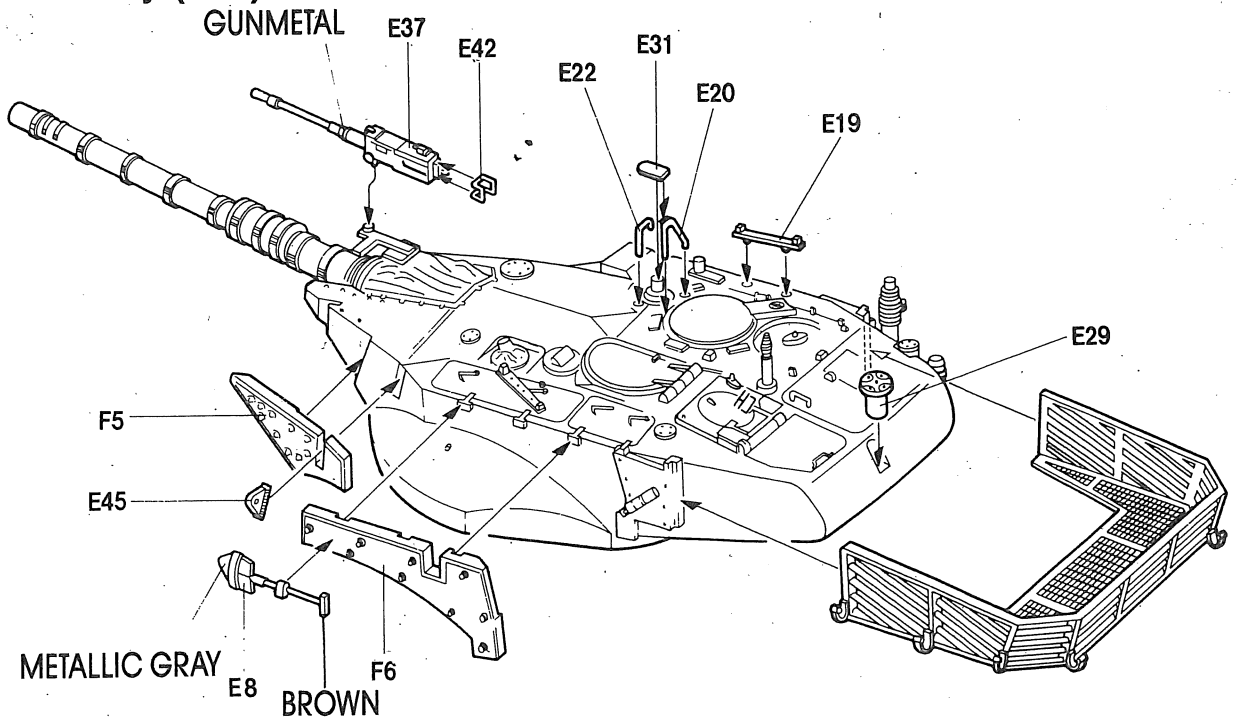
7) Stowage Basket



Decal Banner

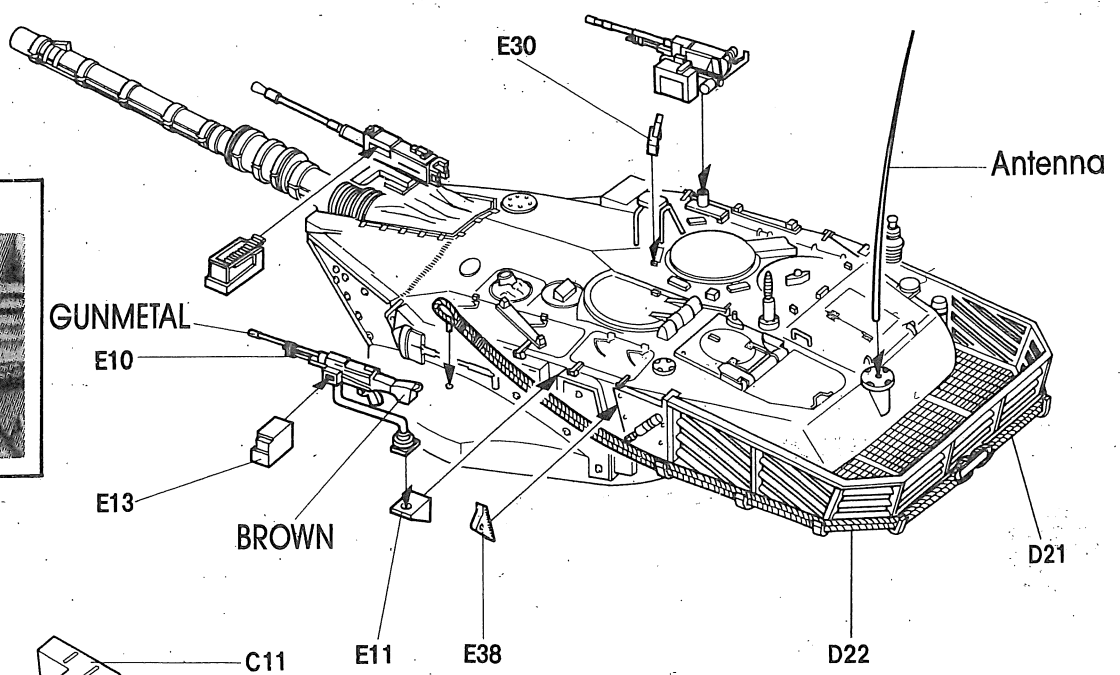
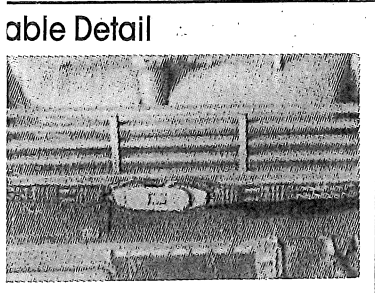
Attach decal banner as shown after turret has been completely assembled and painted.

8) Turret Assembly (Left)

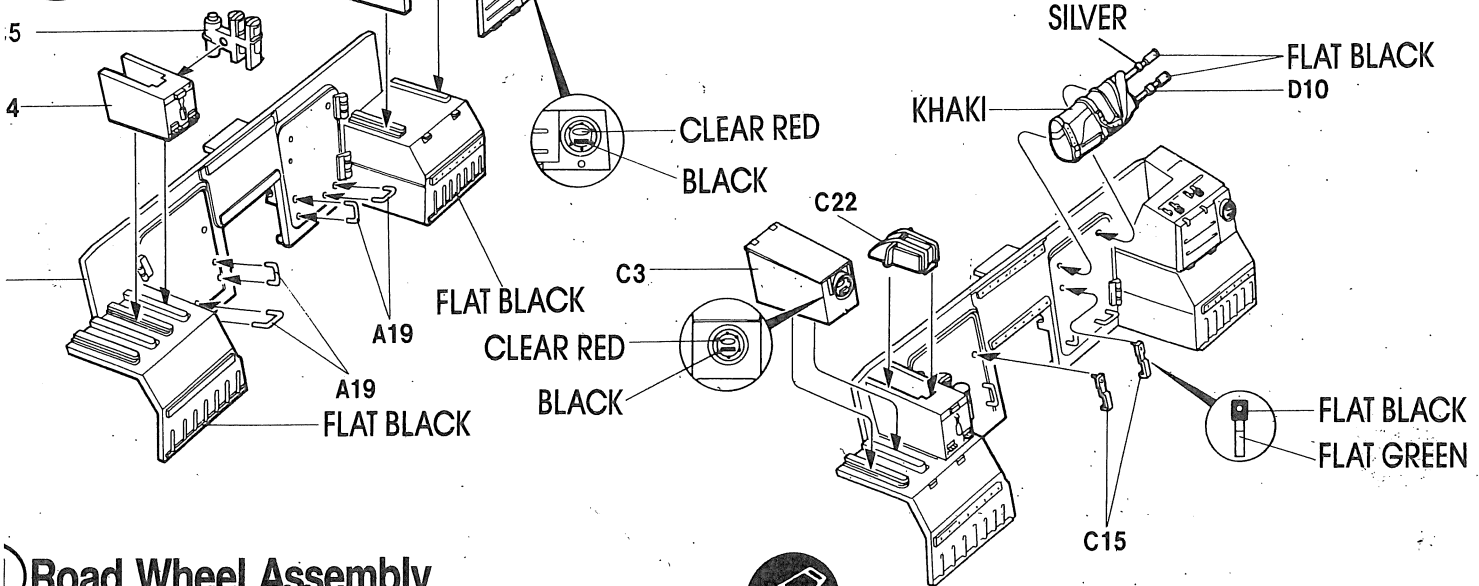


Final Turret Assembly

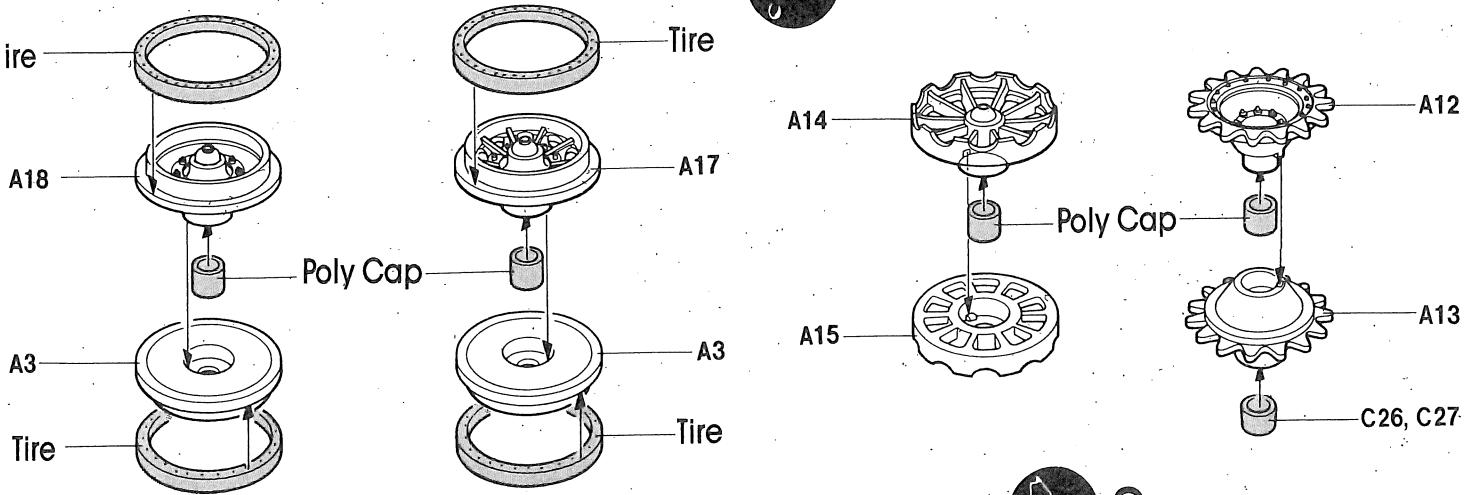
Make antenna from stretched sprue. Carefully heat a piece of sprue over a candle, rolling it to heat it evenly. When soft, remove from flame and stretch. Hold until cool. Cut to desired length.



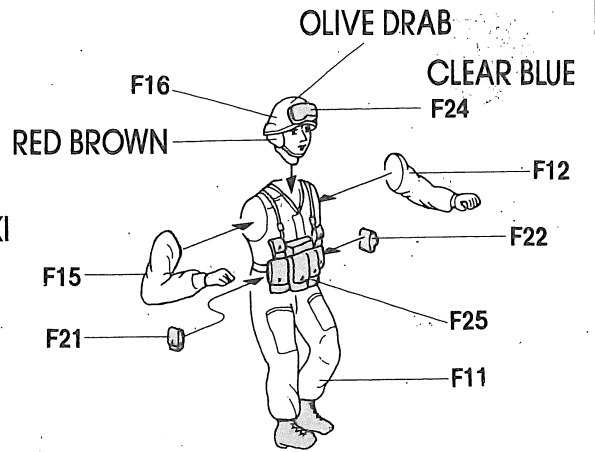
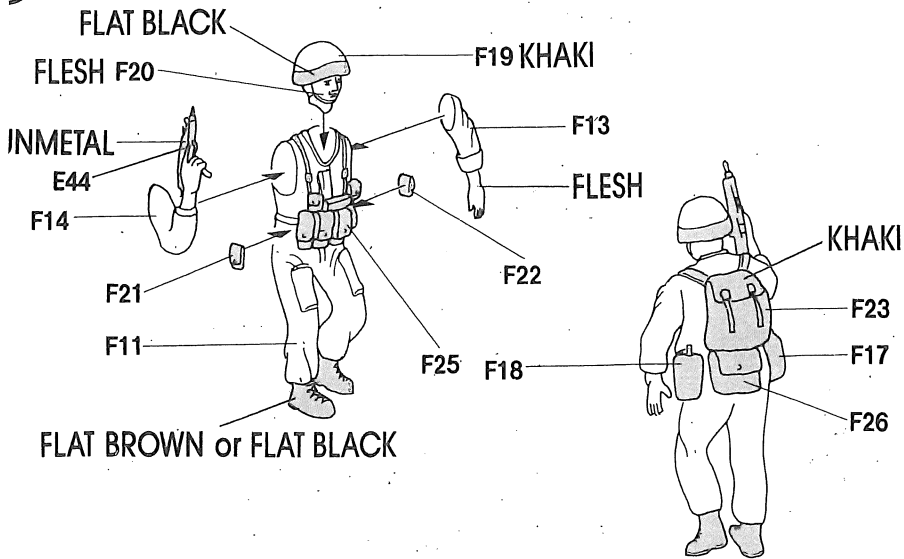
Rear Assembly



Road Wheel Assembly

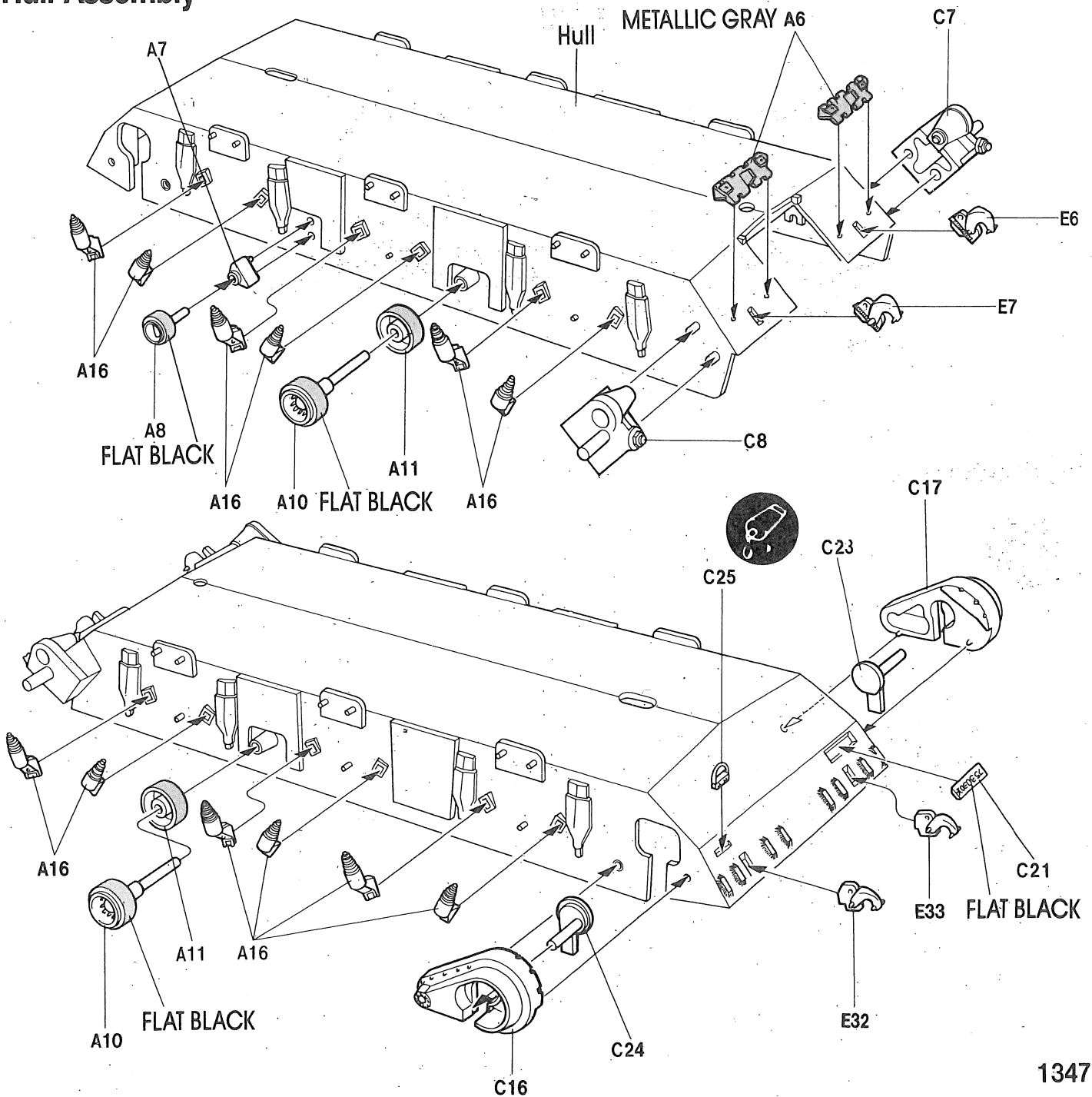


2) Personnel

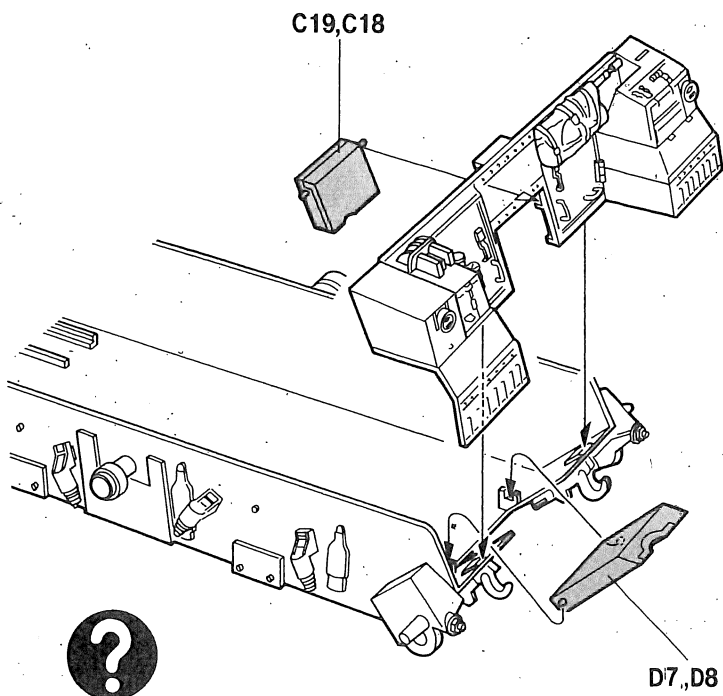
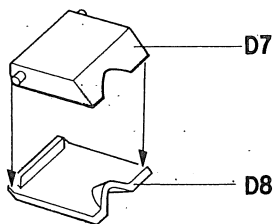
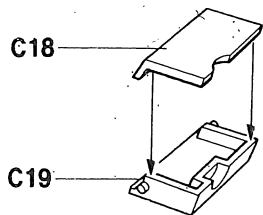


Do not attach equipment to the tank commanders back if you wish to install him in the tank.

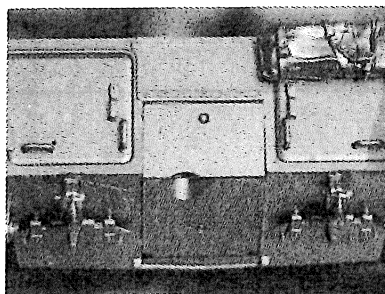
3) Hull Assembly



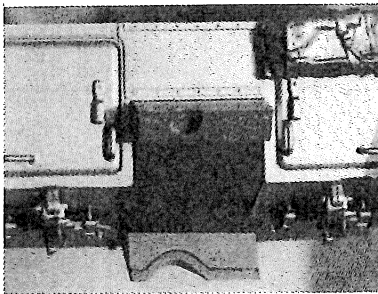
4) Rear Hatch



Rear Hatch

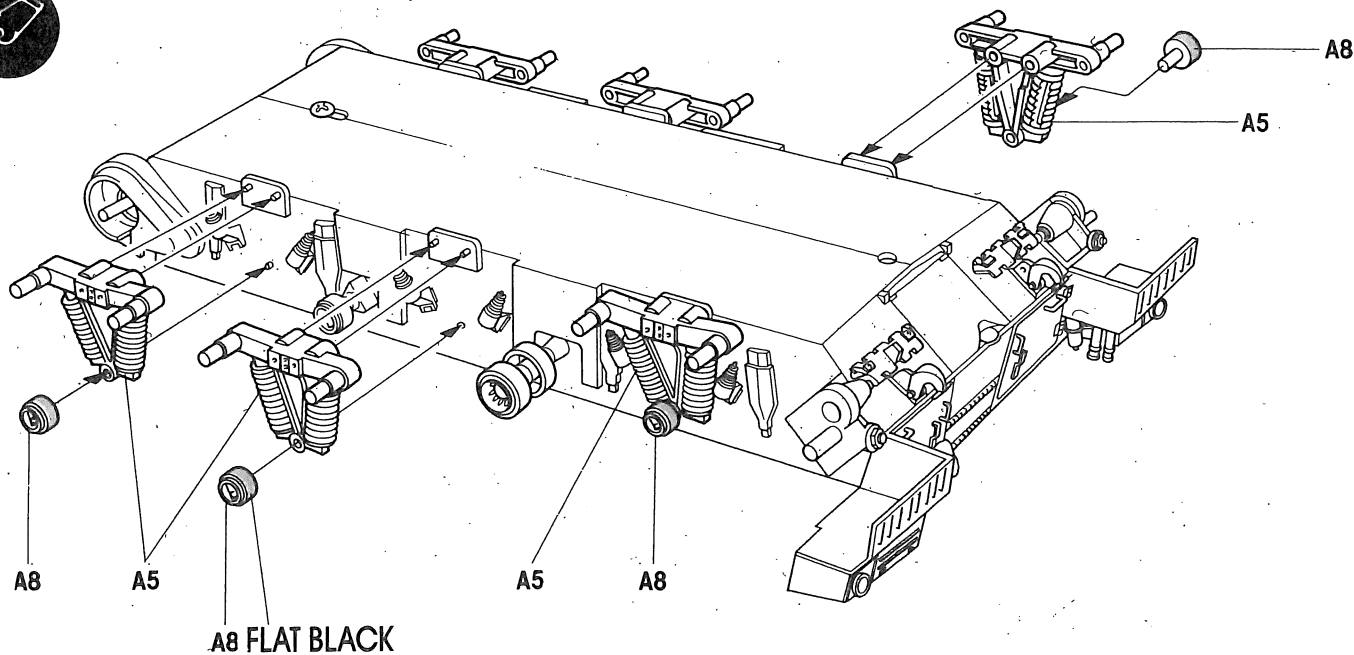


Closed



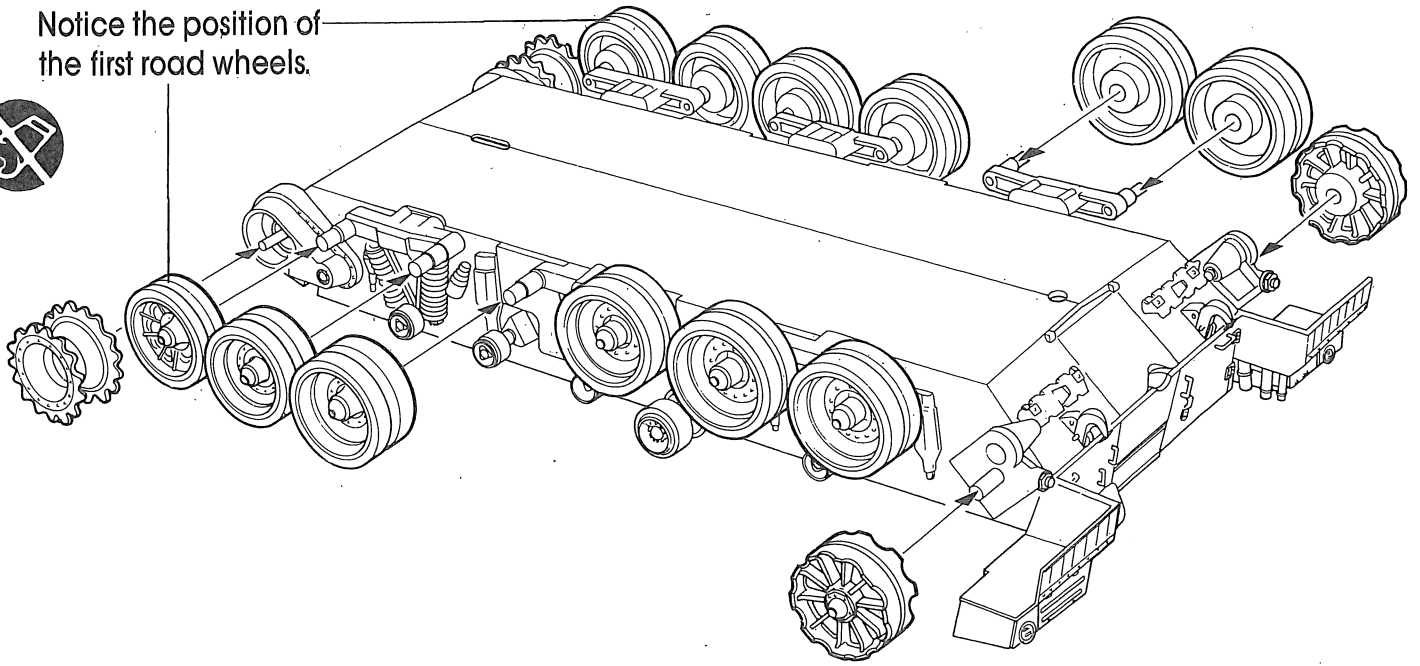
Open

5) Suspension

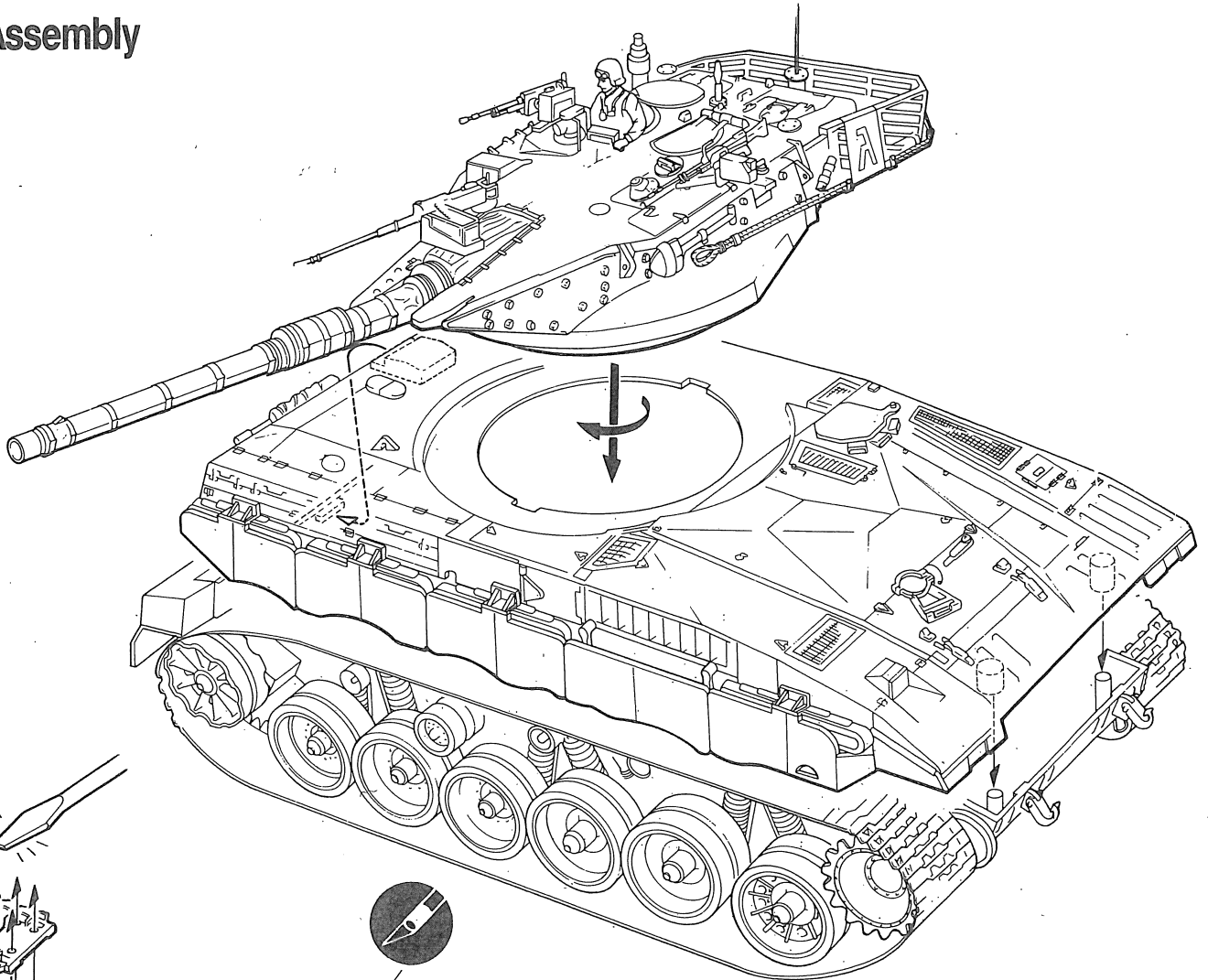


16 Wheel Attachment

Notice the position of the first road wheels.



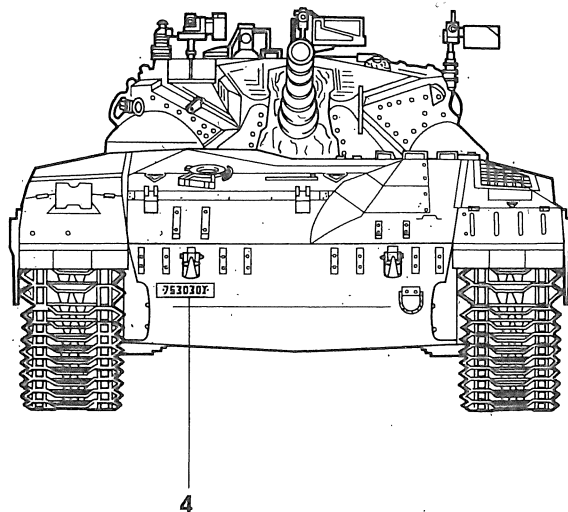
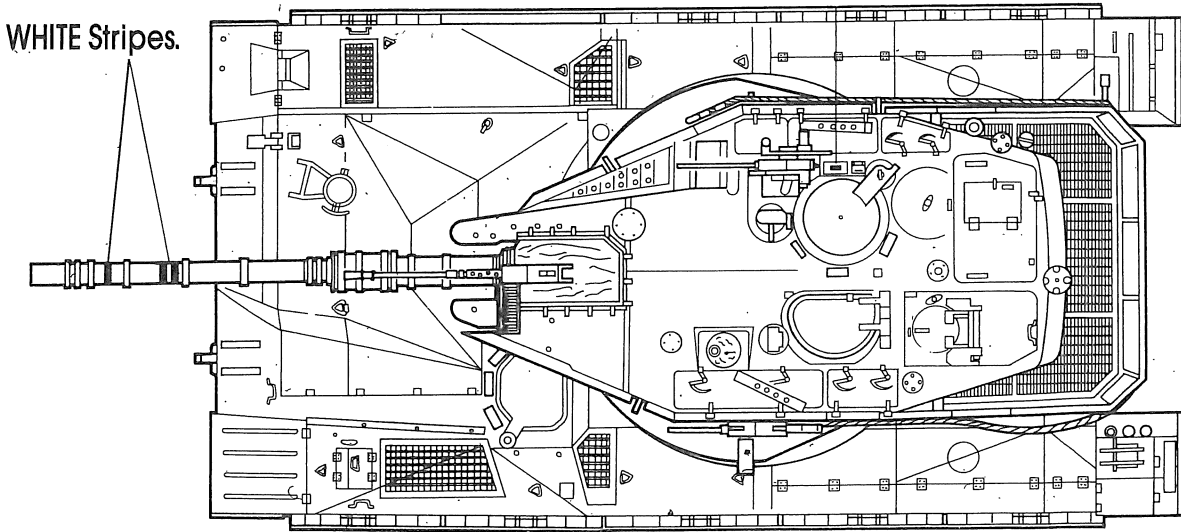
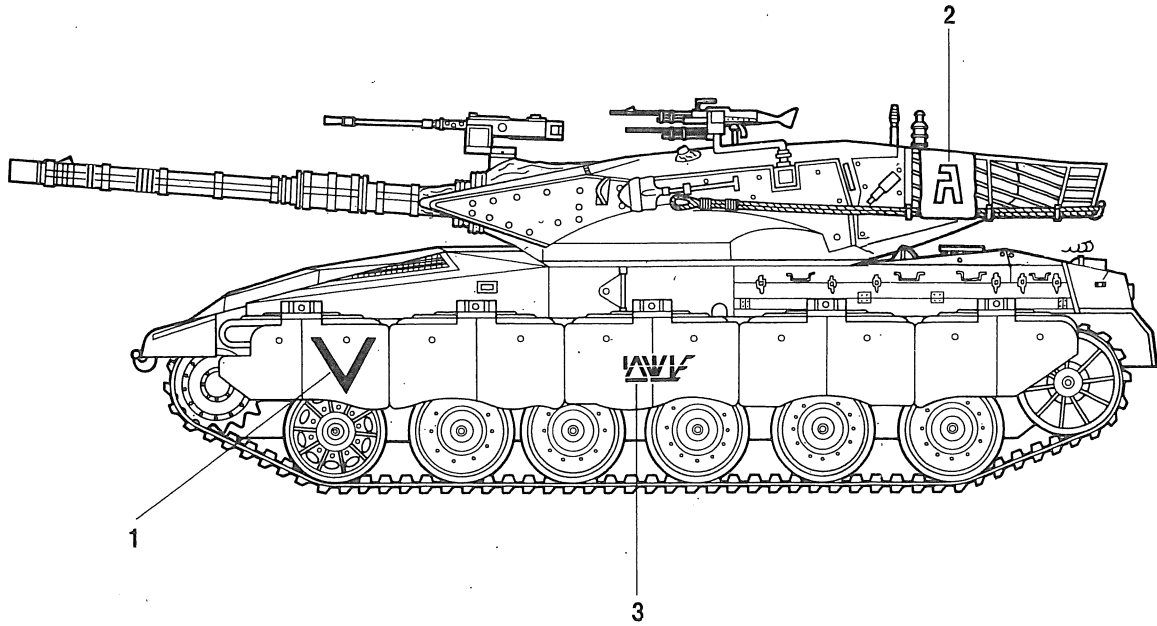
17 Final Assembly



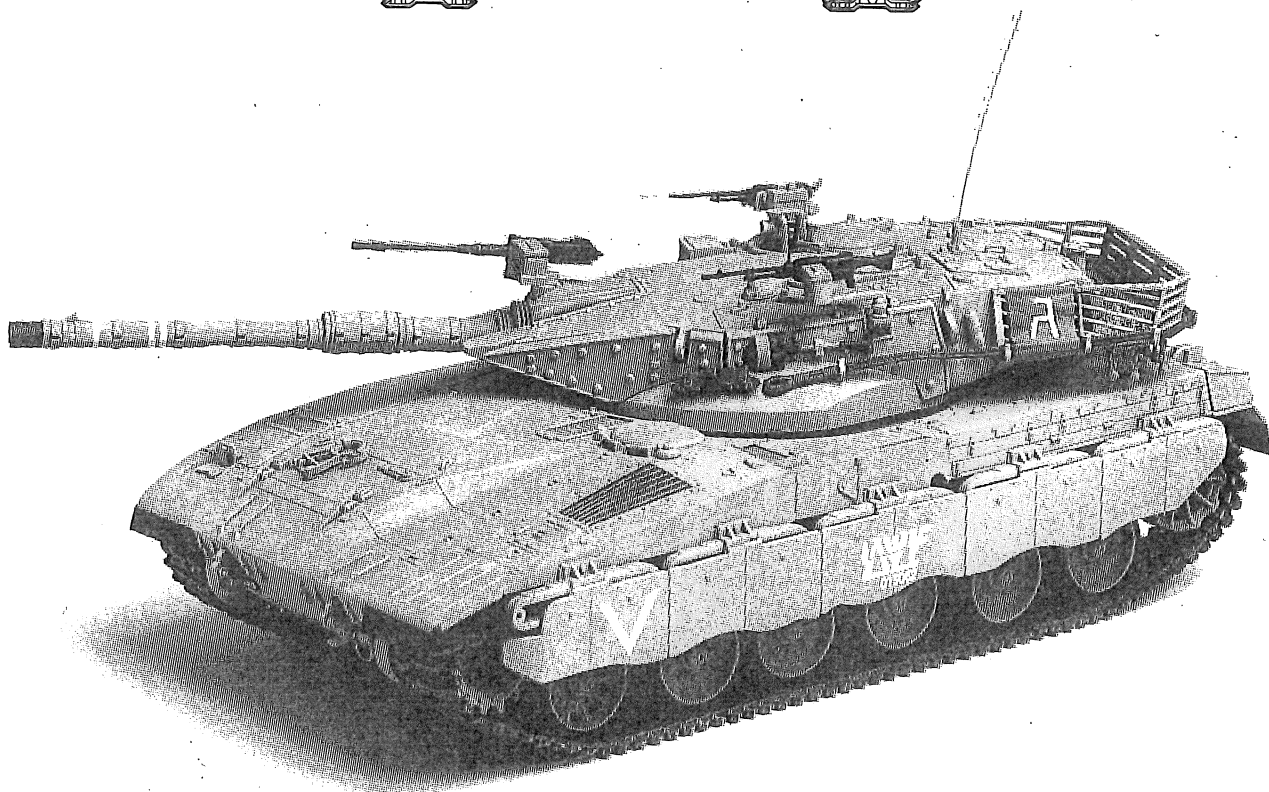
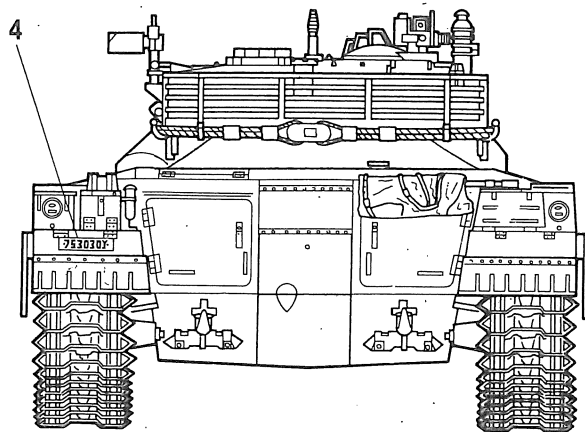
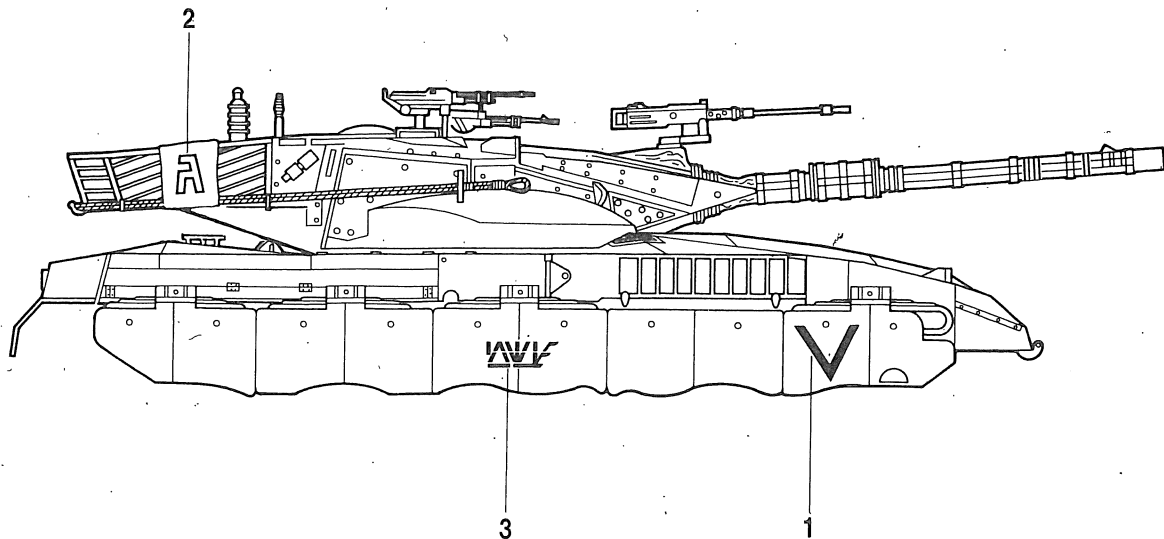
Melt tracks together with a heated screwdriver.

Painting and Decal Instructions

Tank is overall FLAT ARMOR SAND F.S. #30277 or
FLAT BUFF 80%+FLAT DARK GRAY 10%+FLAT GREEN 10%



**ACADEMY
MINICRAFT**



Cement Parts
 Coller
 Kleben
 Pegar
 Incollare
 Colar
 Kleven



DO NOT cement
 Ne pas coller
 Nicht kleben
 No pegar
 Non incollare
 Nao colar
 Niet kleven



Cut away
 Couper
 Scheiden
 Cortar
 Tagliare
 Cortar
 Snijden



Optional parts
 Choix
 Auswahlmöglichkeit
 Eleccion
 Scelta
 Opcao
 Keuze

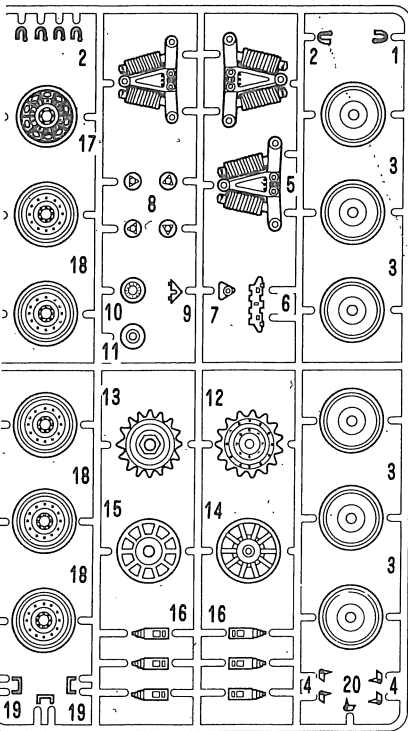


3

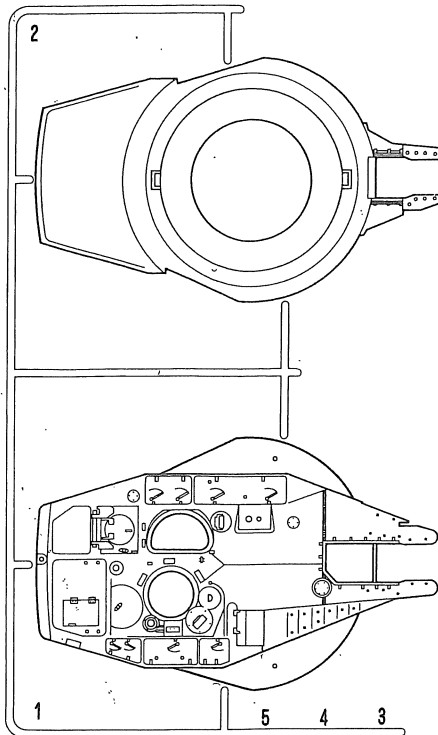
Repeat operation
 Répéter l'opération
 Vorgang wiederholen
 Ripetir la operación
 Ripetere
 Repetir a operação
 Herhalen

Parts Locating Diagram

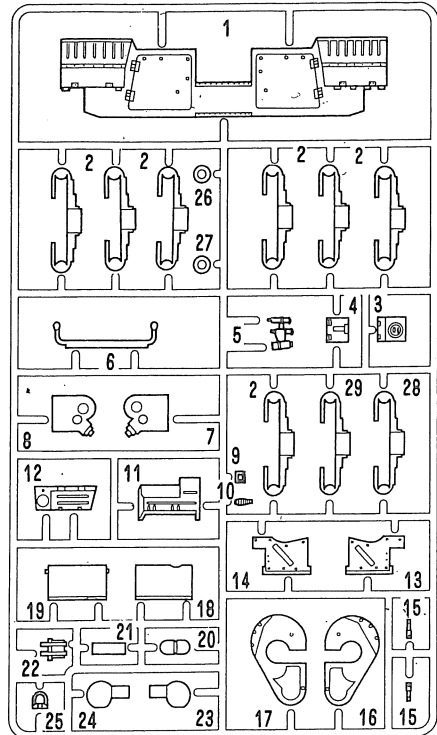
A X 2



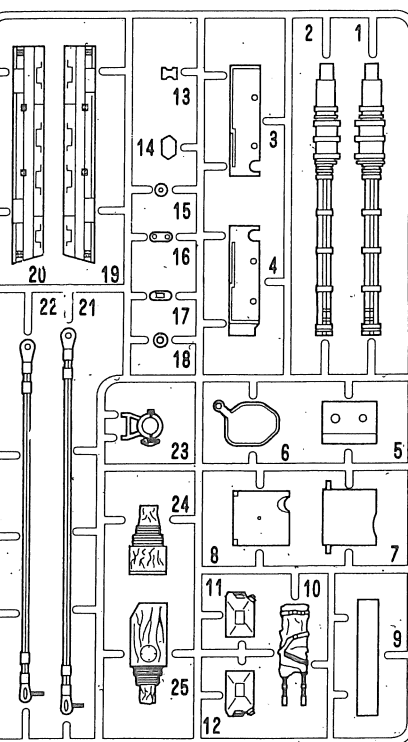
B



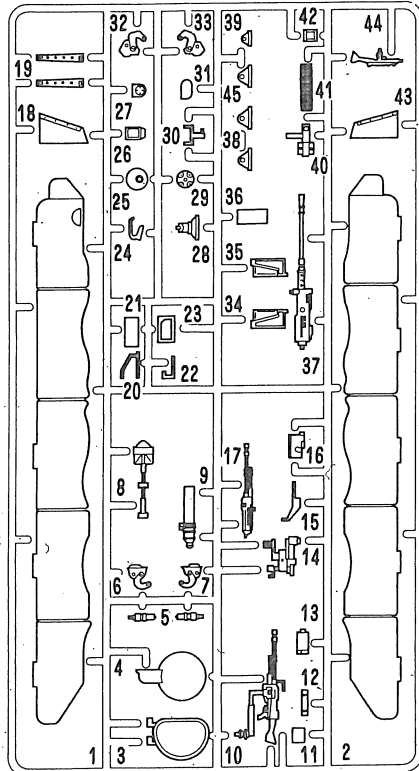
C



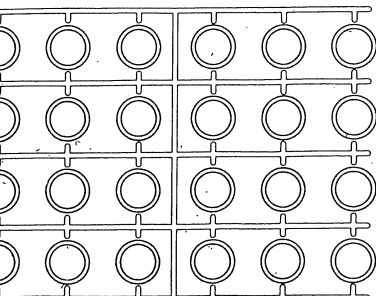
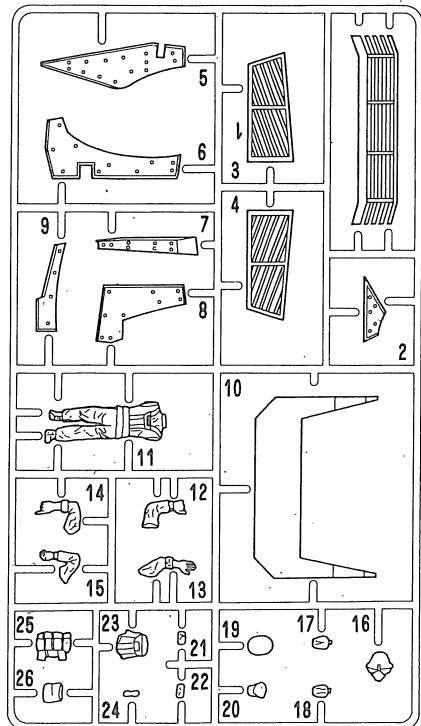
D



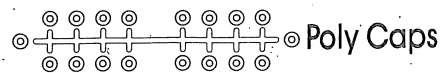
E



F



Tires



Poly Caps

1347

Minicraft Models, Inc.
1510 W. 228th St.
Torrance, Calif. 90501

