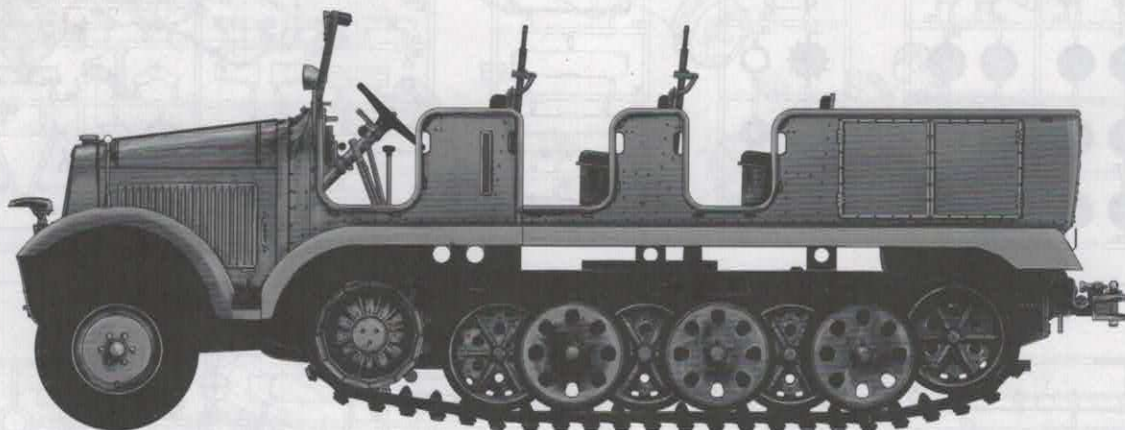


German Sd.Kfz.6 Halbkettenzugmaschine Artillerieausführung

德国Sd.Kfz.6五吨半履带火炮牵引车



READ BEFORE ASSEMBLY:

- Study and understand these instructions thoroughly before beginning assembly
- When needed, remove photo-etch parts carefully using a modeling knife or photo etch sprue cutter, being careful not to damage or lose small parts.
- Take extra care in handling photo etch parts in order to avoid injury
- Apply instant cement sparingly to photo etch parts where instructed
- Tools recommended(not included in kit):Plastic and instant cements, sprue cutters,long nose pliers,modeling knife, small files, tweezers, pin vise & scissors. Soft cloth and sandpaper will also assist in construction
- Glue and paint are not included in the kit. Use plastic cement and hobby paints only. Color guide for purchasing paint is included in the kit.

装配之前仔细阅读

- 小心用模型锉刀锉平所有零件表面的注射浇口。
- 小心用刀片切下蚀刻片零件，不要遗失小零件。
- 用强力快干胶水粘合蚀刻片零件和金属轴。过量快干胶水使用可能导致可动零件会粘住，小心涂胶。
- 取蚀刻片时应特别注意安全，防止利边划伤手指。
- 某些零件表面需贴水上贴纸，请选择在装配的同时进行。
- 推荐模型工具(自备)：胶水，水口剪刀，长咀钳，刀片，锉刀，镊子，钳，钻，剪刀，瞬间快干胶。
- 软布同砂纸同时也应该是必备工具。
- 请使用塑料胶水和油漆，模型内不含。



配重
Weight



使用强力胶
Cyanoacrylate glue



钻孔
Make hole



切除
Cut / Remove



贴纸
Decal



锉平
File / Sand



选择
Option



不涂胶水
No cement



弯曲
Bend

水贴纸的使用:

- 1.从水贴上剪下印花;
- 2.将印花放入温水中浸10秒, 然后放在干净布上.
- 3.拿着印花纸板将印花移到模型上;
- 4.手指蘸水将印花移到适当的位置;
- 5.用软布轻压印花直至水干, 气泡消失

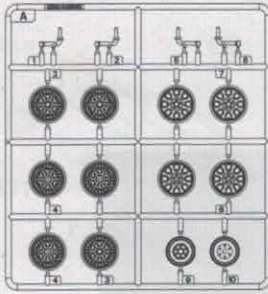
DECAL APPLICATION

- 1.Cut decals from sheet as needed
- 2.Dip the decal in warm water for about 10 seconds and then place on soft clean cloth.
- 3.Hold the decal backing sheet edge and gently slide the decal onto the model in its proper position.

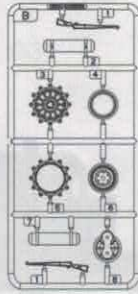
- 4.While still wet,decal can be adjusted for better fit on model by dampening it gently with your finger.
- 5.When placed in the proper position,gently press decal down with a soft cloth until excess water and air bubbles are gone.
- 6.Allow decal to dry completely before handling model

部品图
Parts

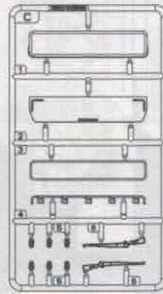
AX3



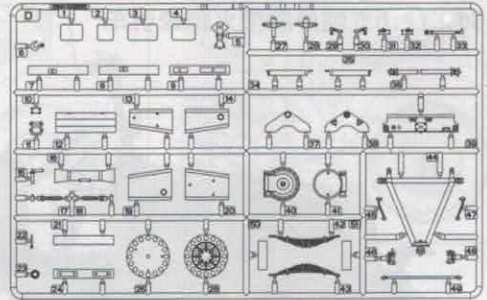
BX2



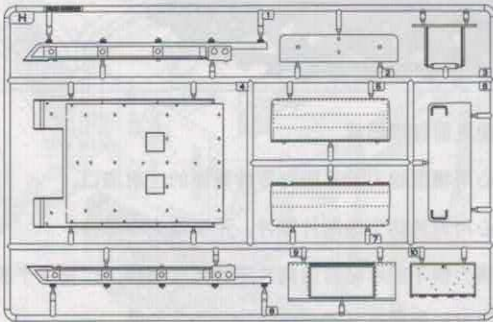
CX2



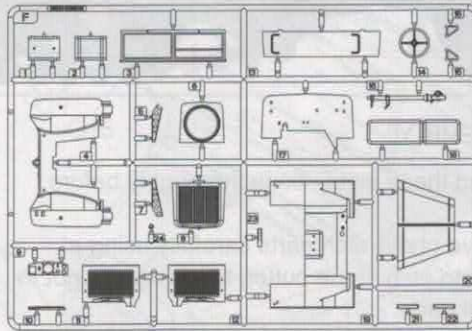
D



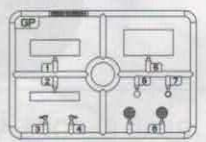
H



F



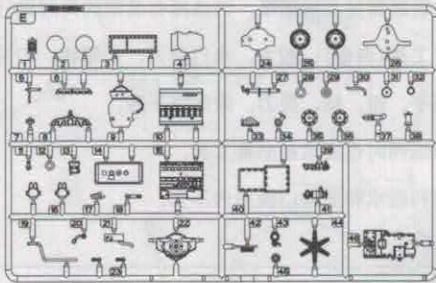
GP



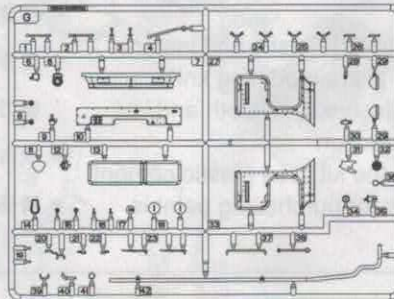
《轮胎》X3
Tire



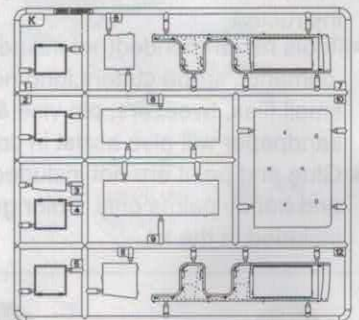
E



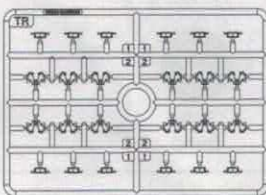
G



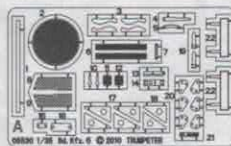
K



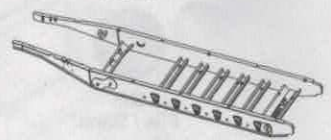
TRX10



《蚀刻片A》
PE-A



《车架》
Frame



《水贴》
Decal

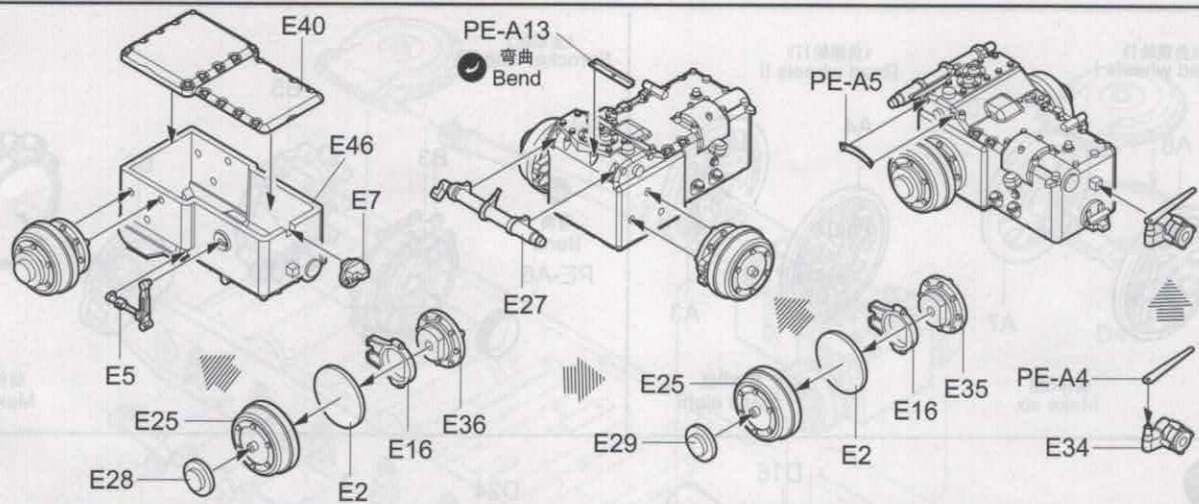


《棉绳》：Ø0.6X1000mm
Thread

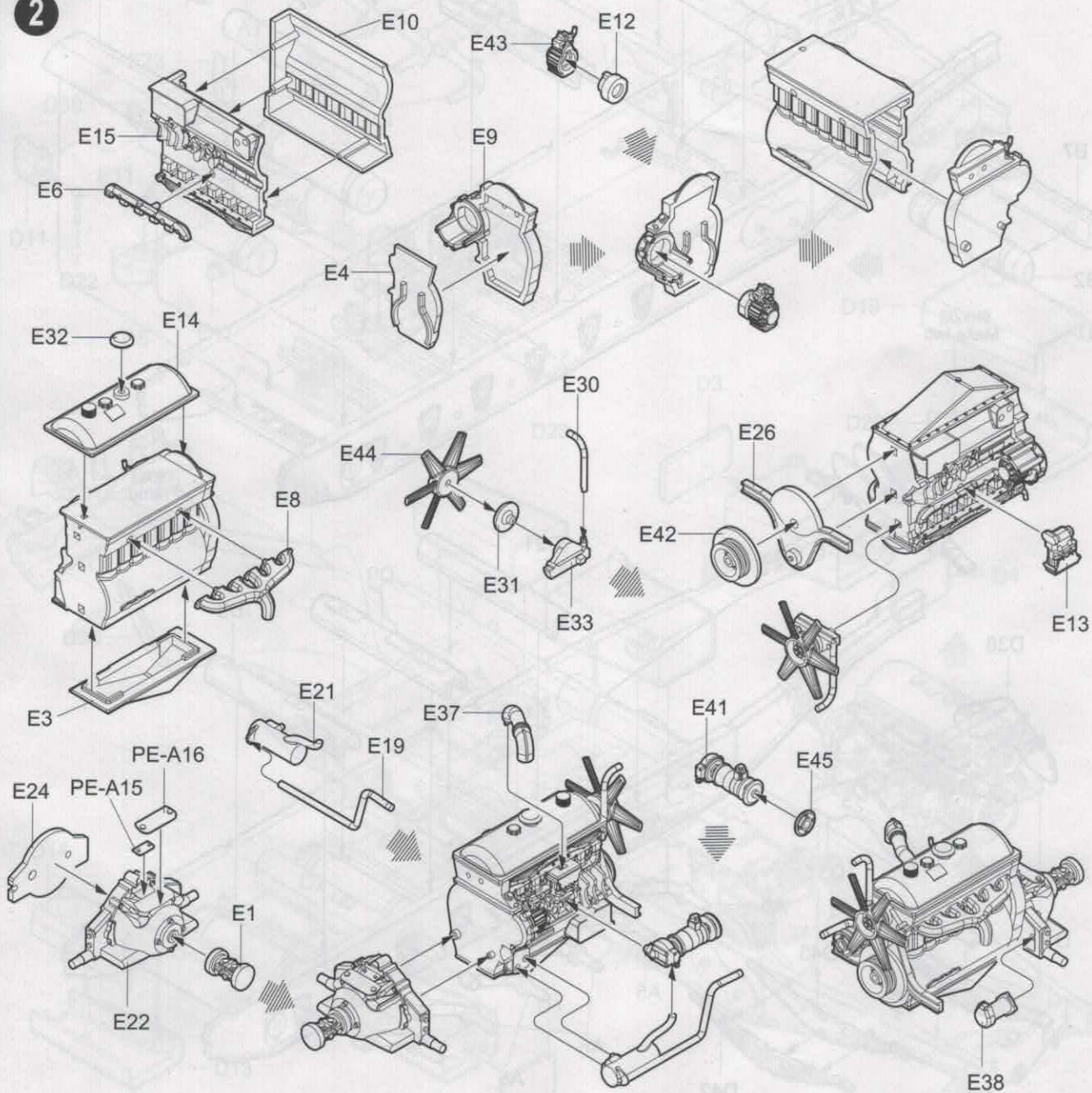


不用部品：E39 PE-A19
Unused parts

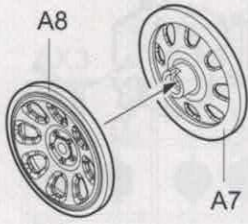
1



2

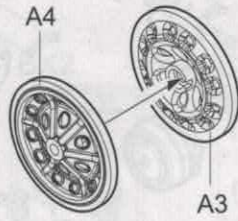


《负重轮I》
Road wheels I



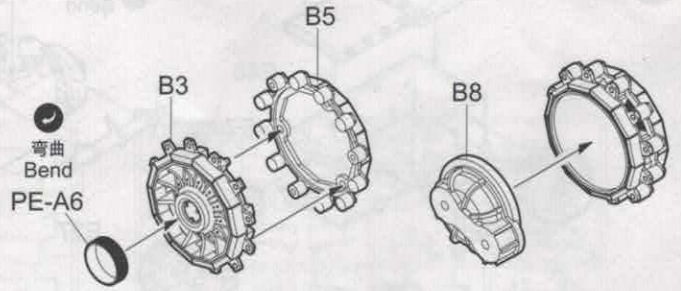
制作6组
Make six

《负重轮II》
Road wheels II



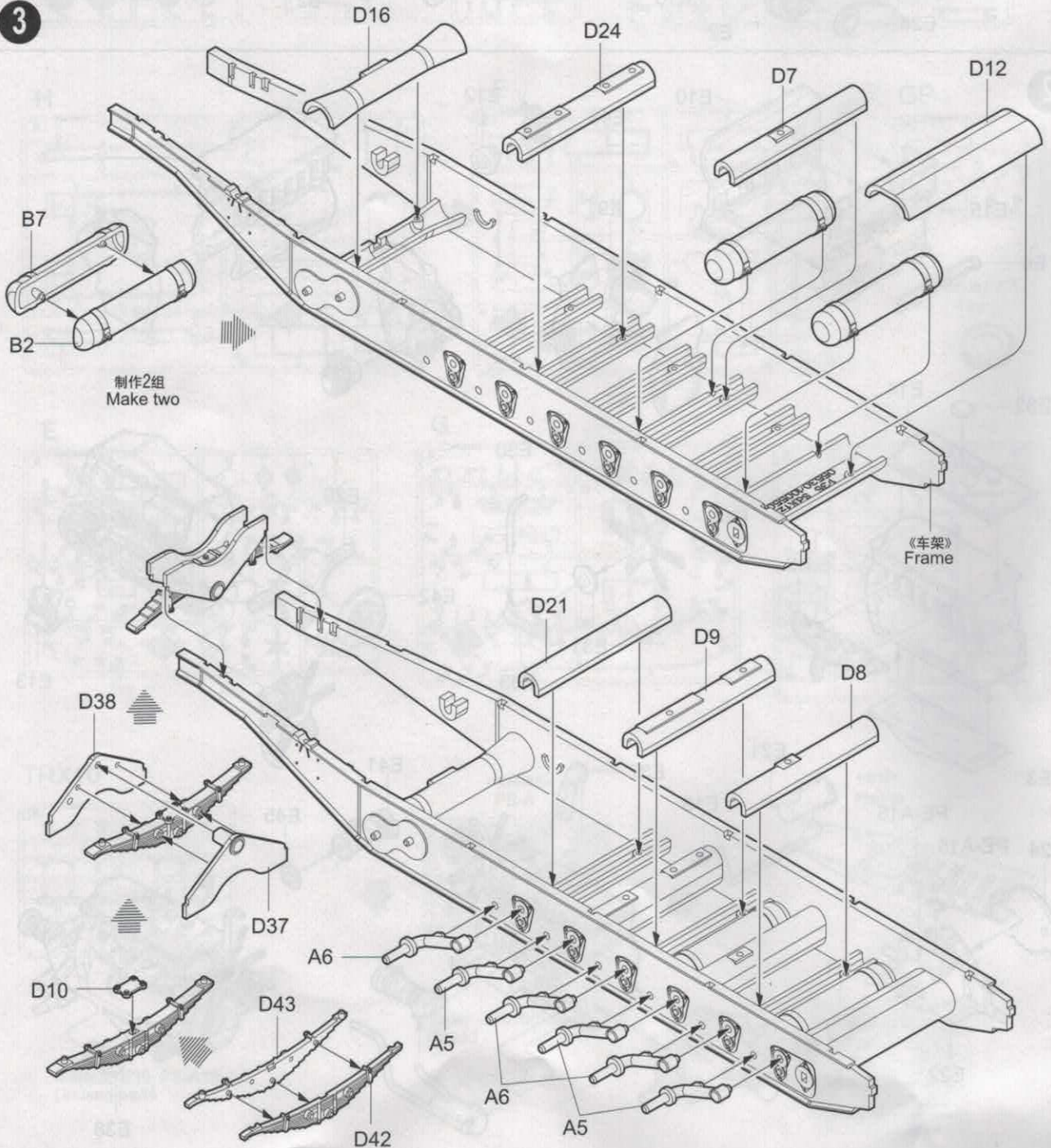
制作8组
Make eight

《主动轮》
Sprocket wheels

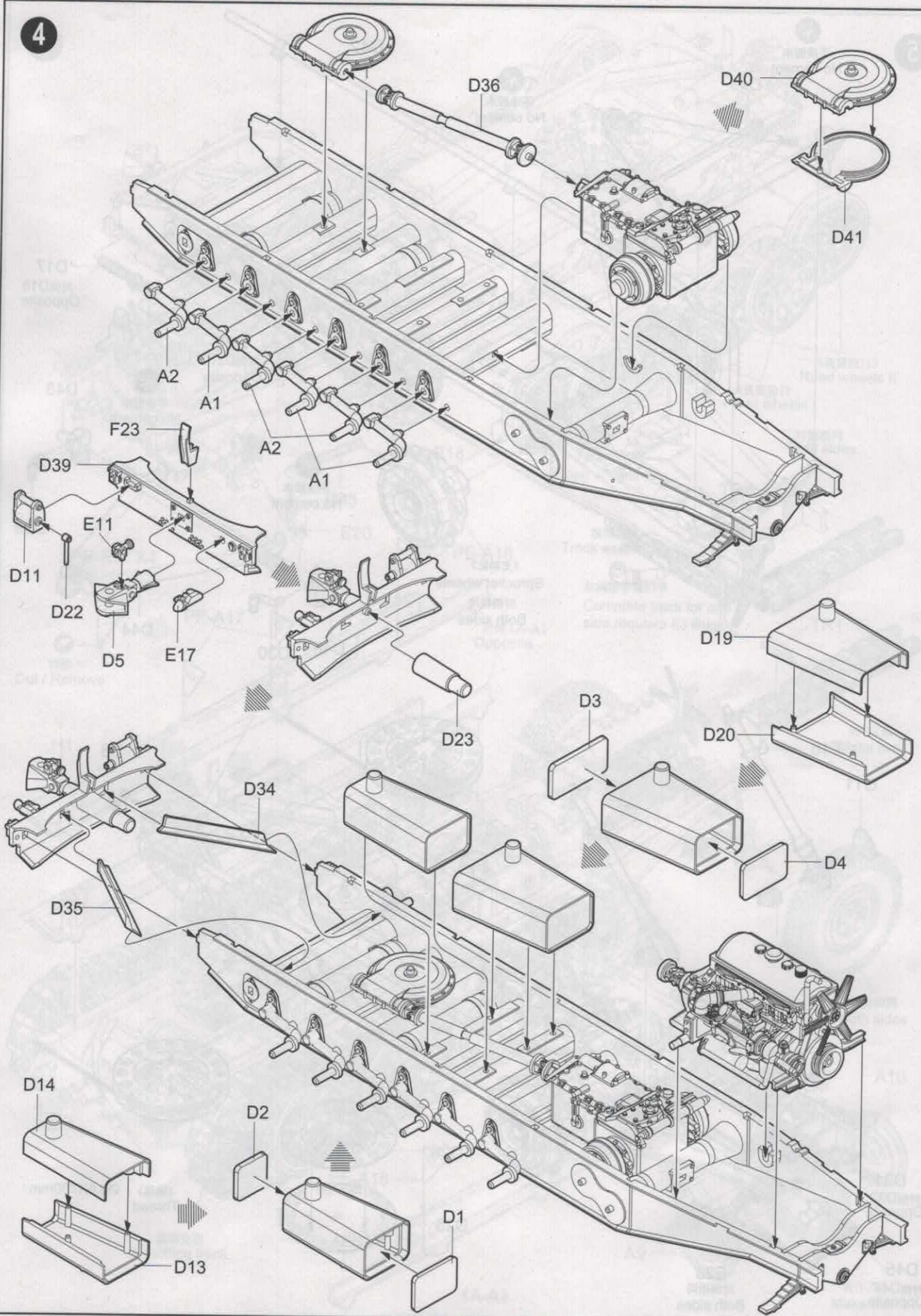


制作2组
Make two

3



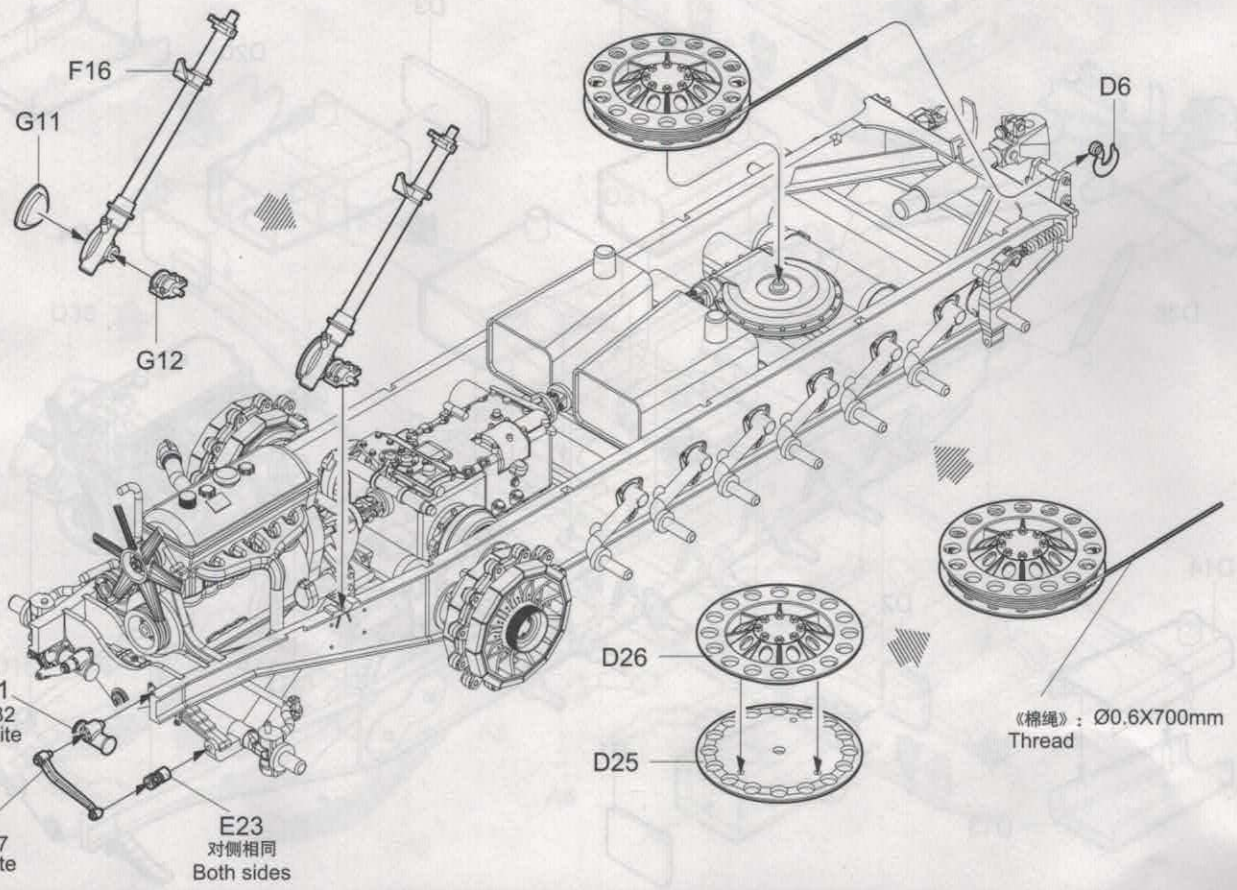
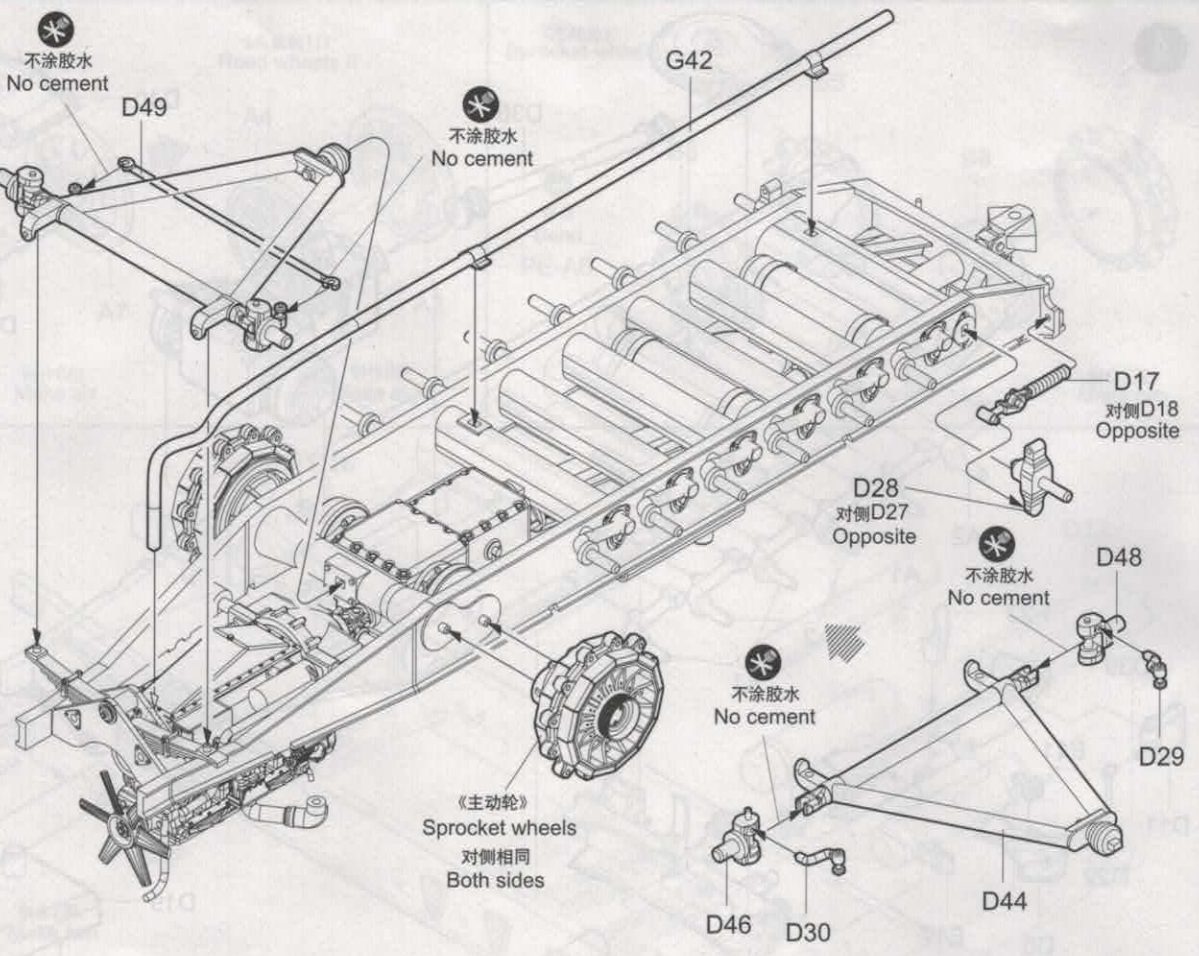
4



05531

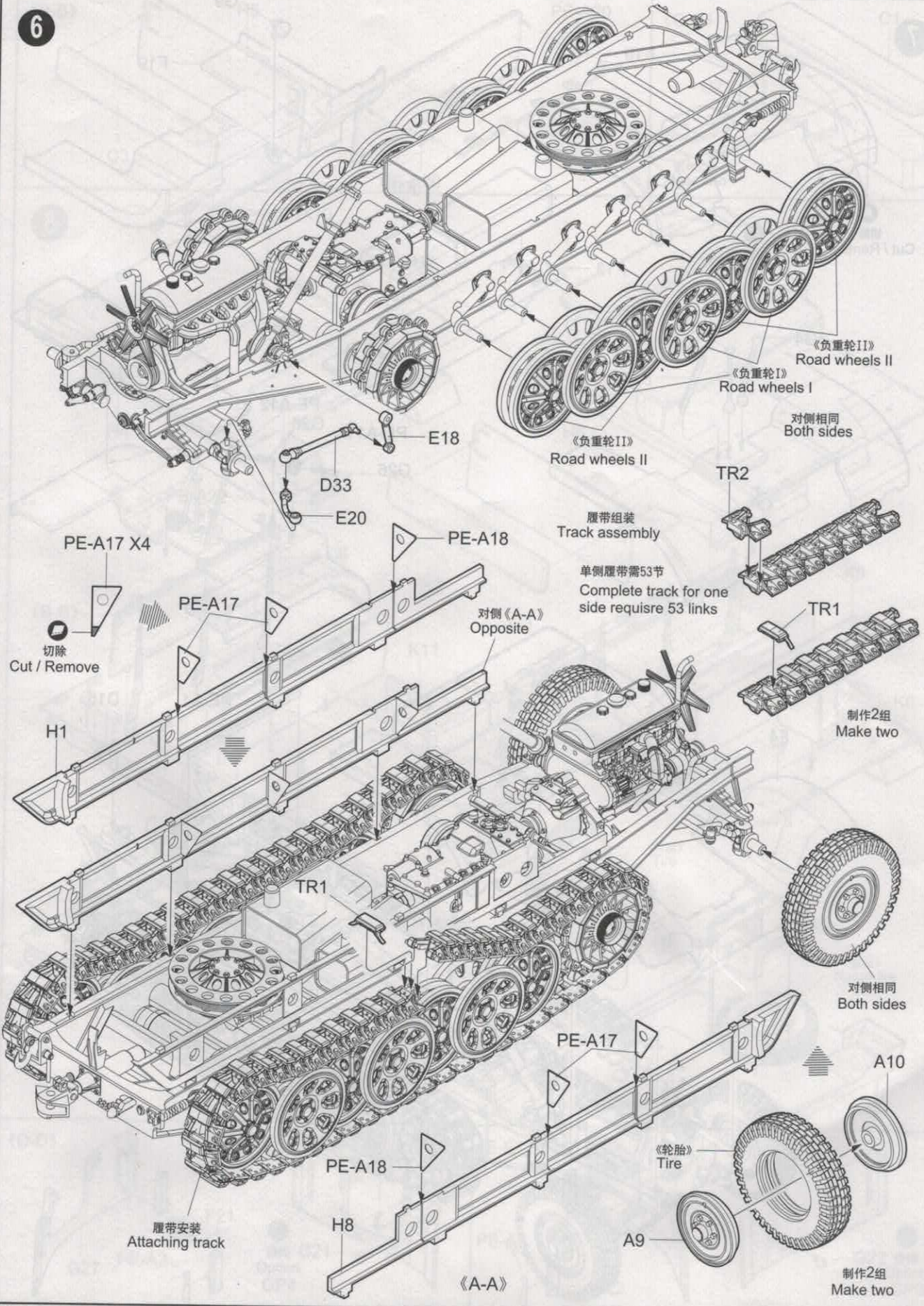
5

5

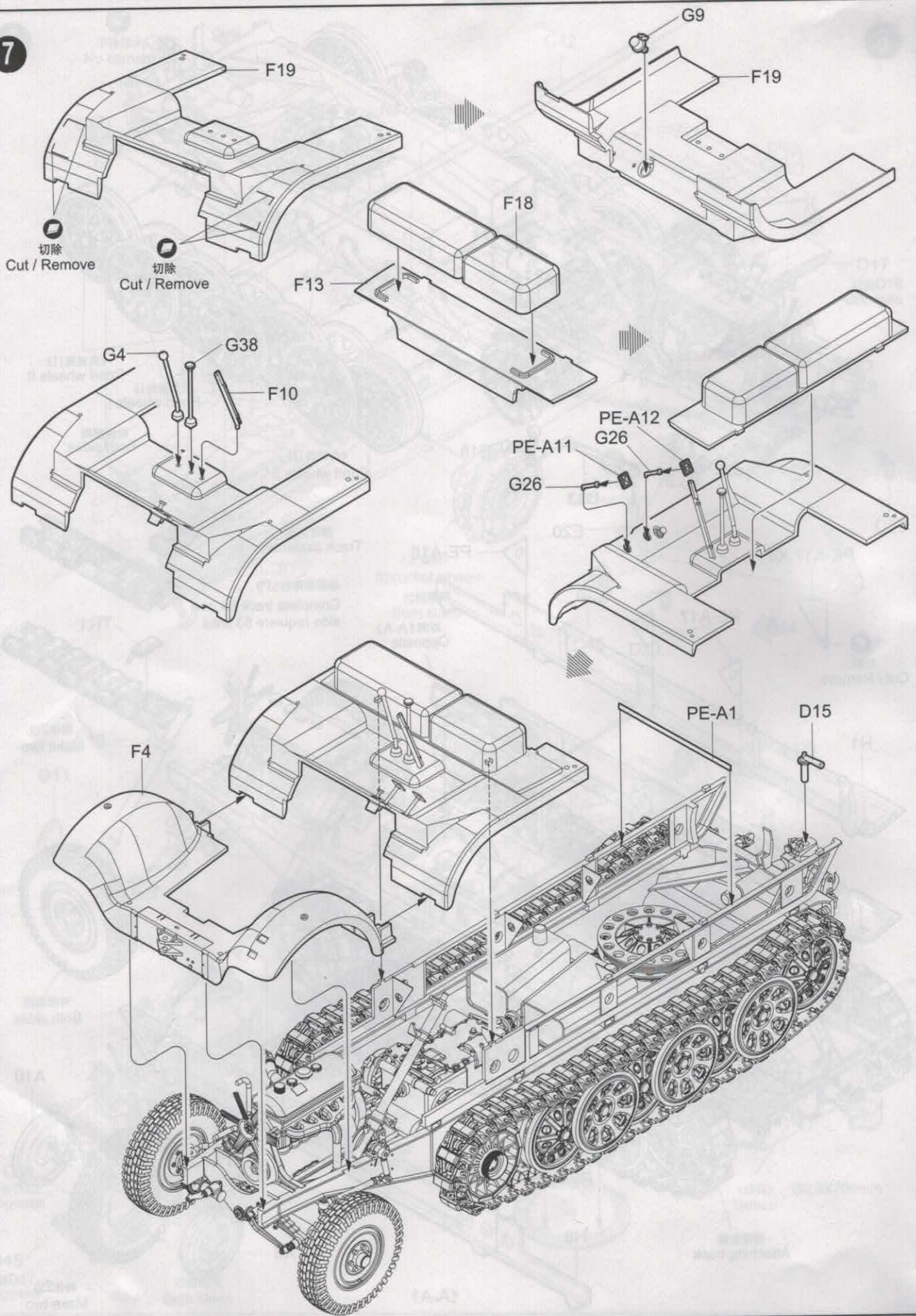


05531

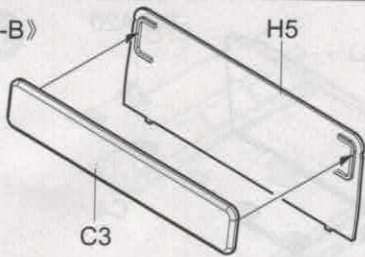
6



7

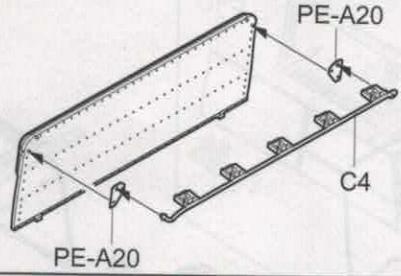


《B-B》



H5

C3

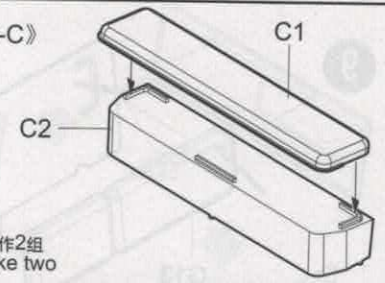


PE-A20

C4

PE-A20

《C-C》

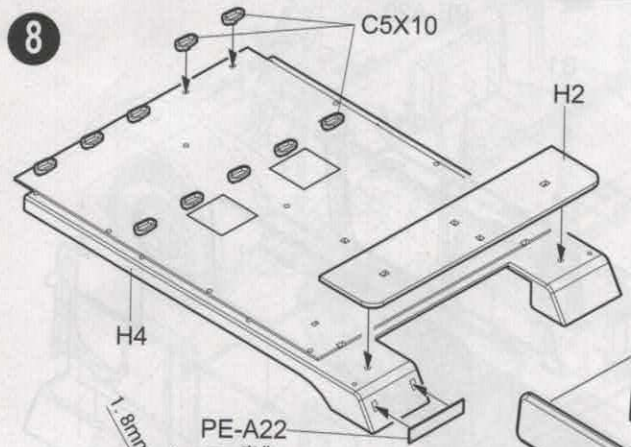


C1

C2

制作2组
Make two

8



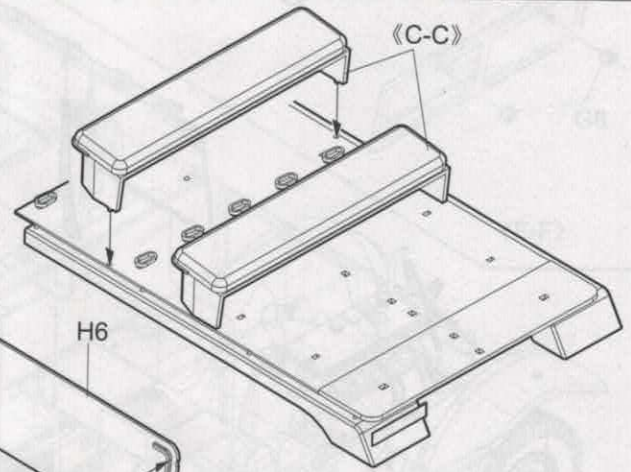
C5X10

H2

H4

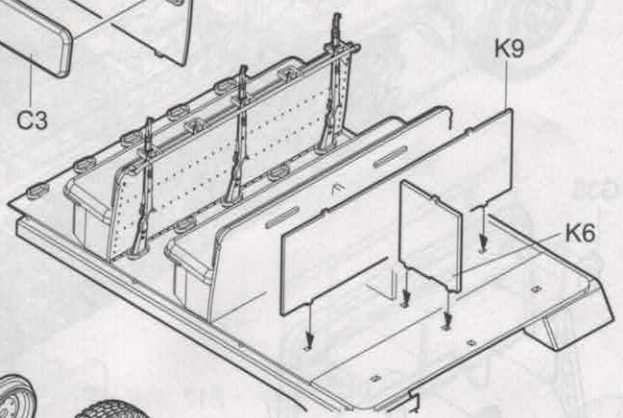


PE-A22
弯曲
Bend



《C-C》

H6



C3

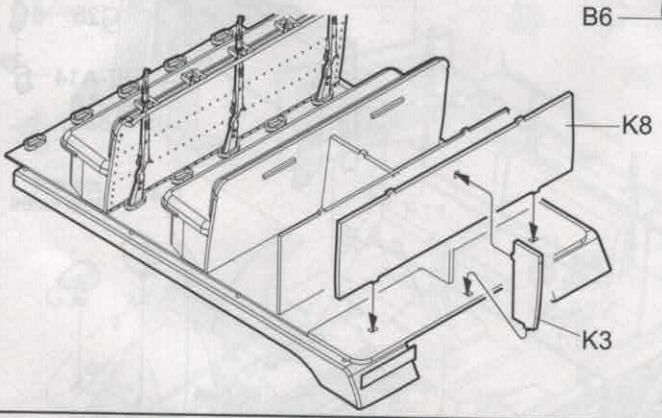
K9

K6

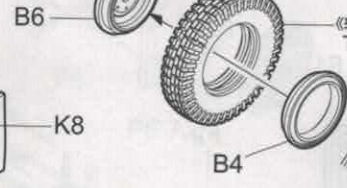
《B-B》

C6

K11



B6

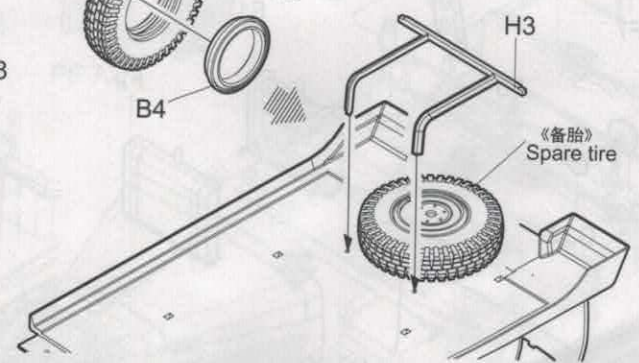


《轮胎》
Tire

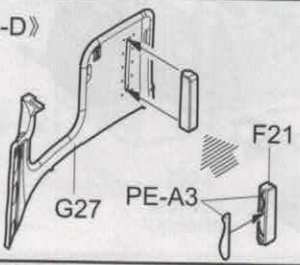
B4

H3

《备胎》
Spare tire



《D-D》

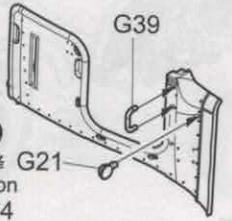


G27

PE-A3

F21

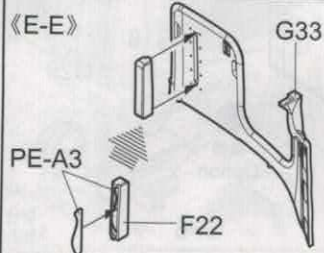
选择
Option
GP4



G39

G21

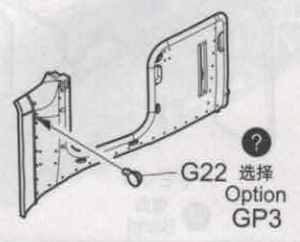
《E-E》



PE-A3

G33

F22



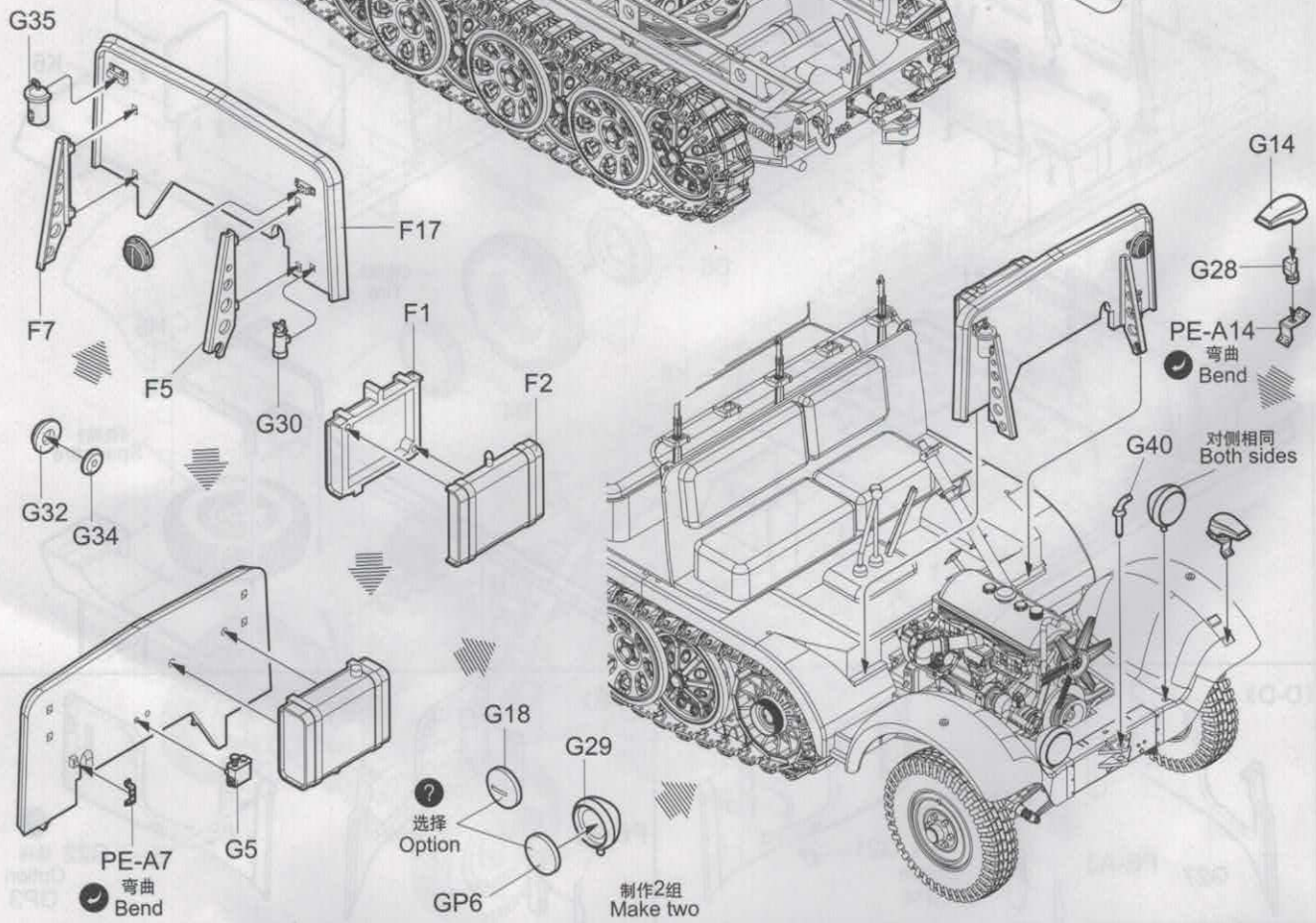
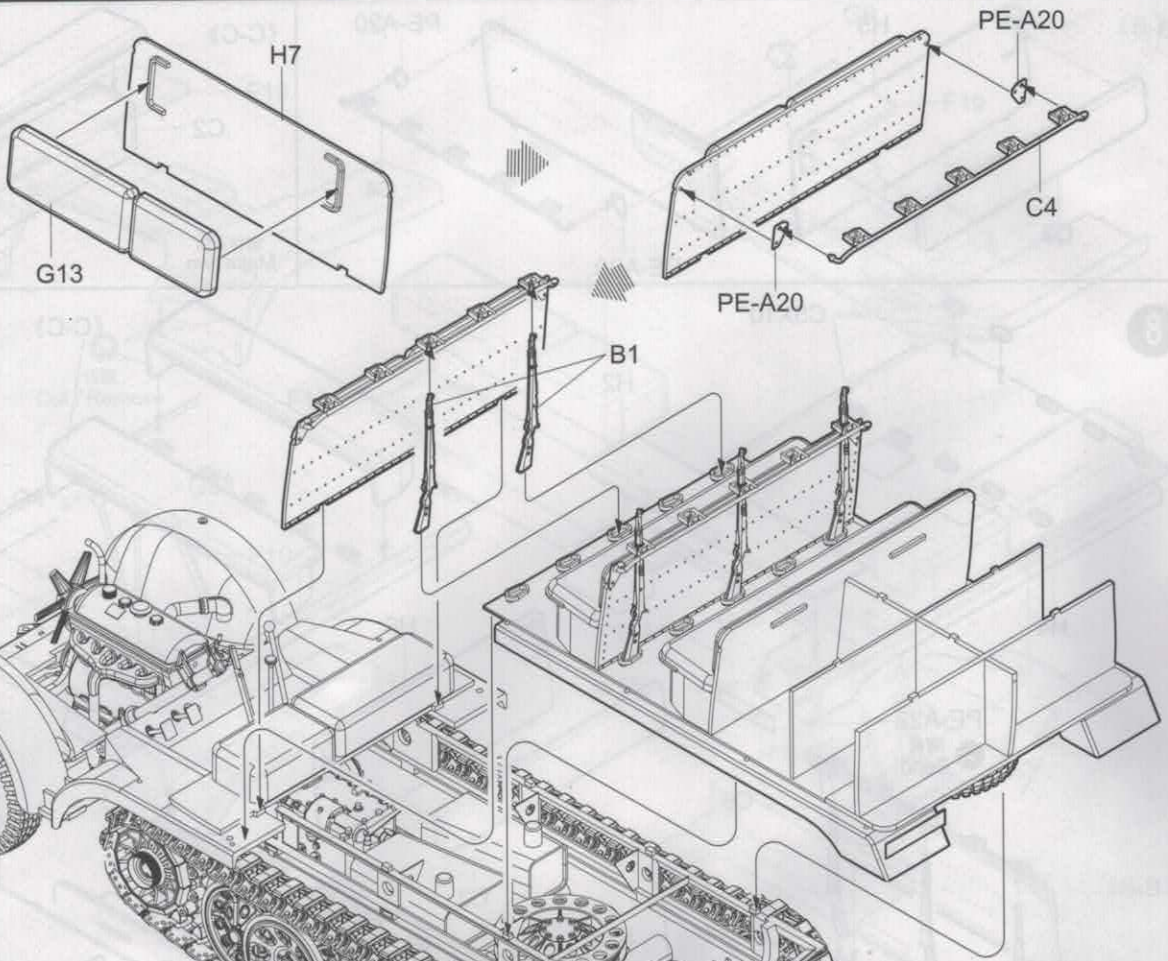
G22

选择
Option
GP3

05531

9

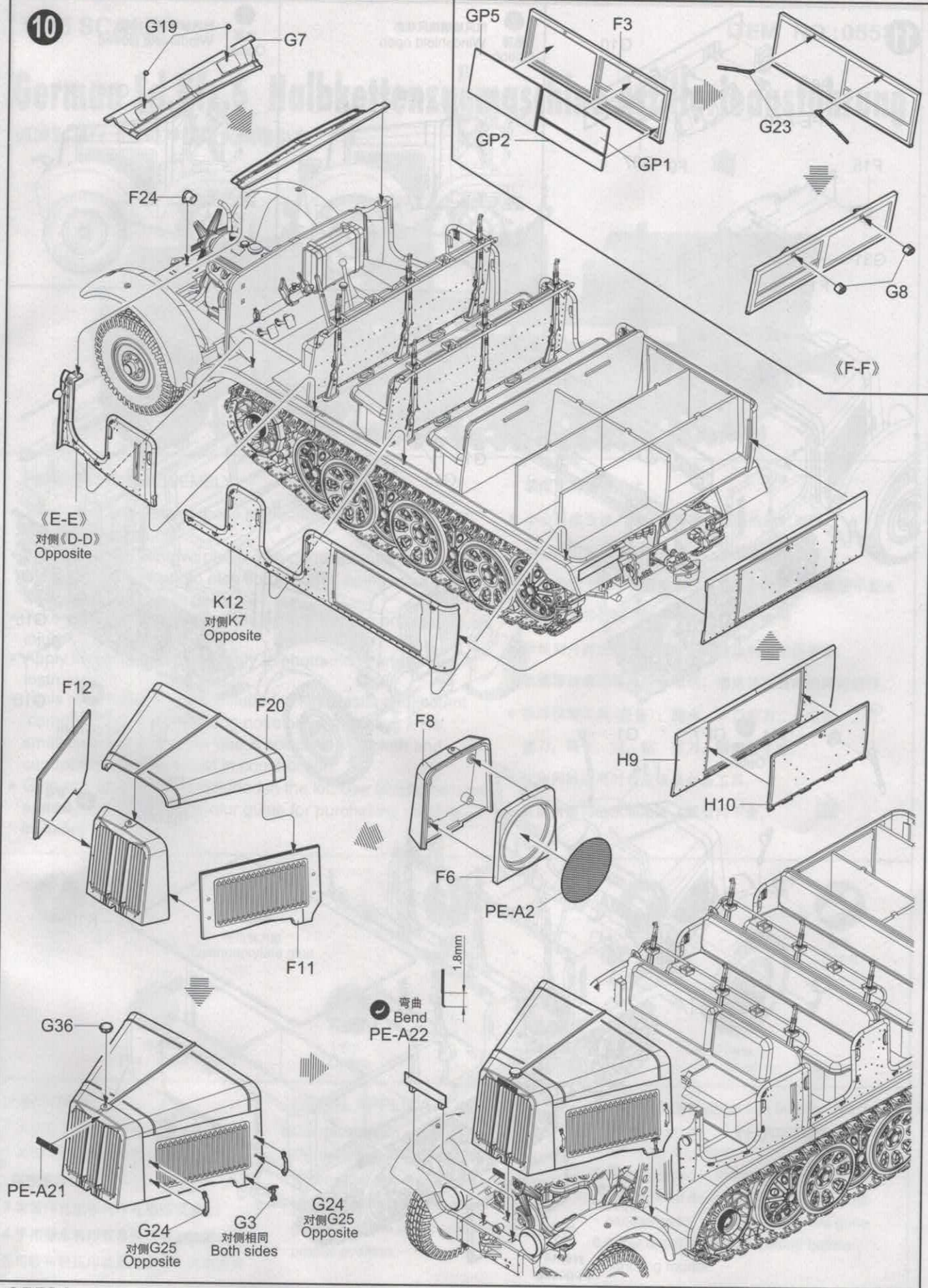
9



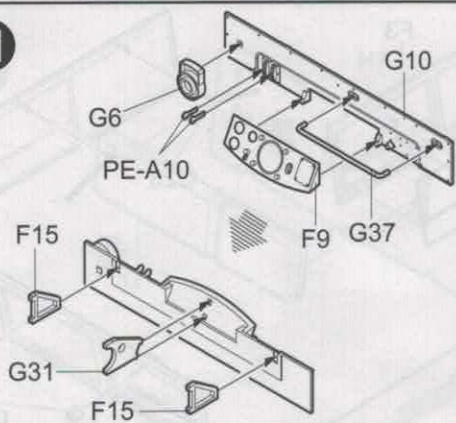
05531

10

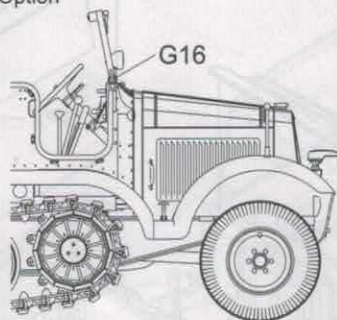
10



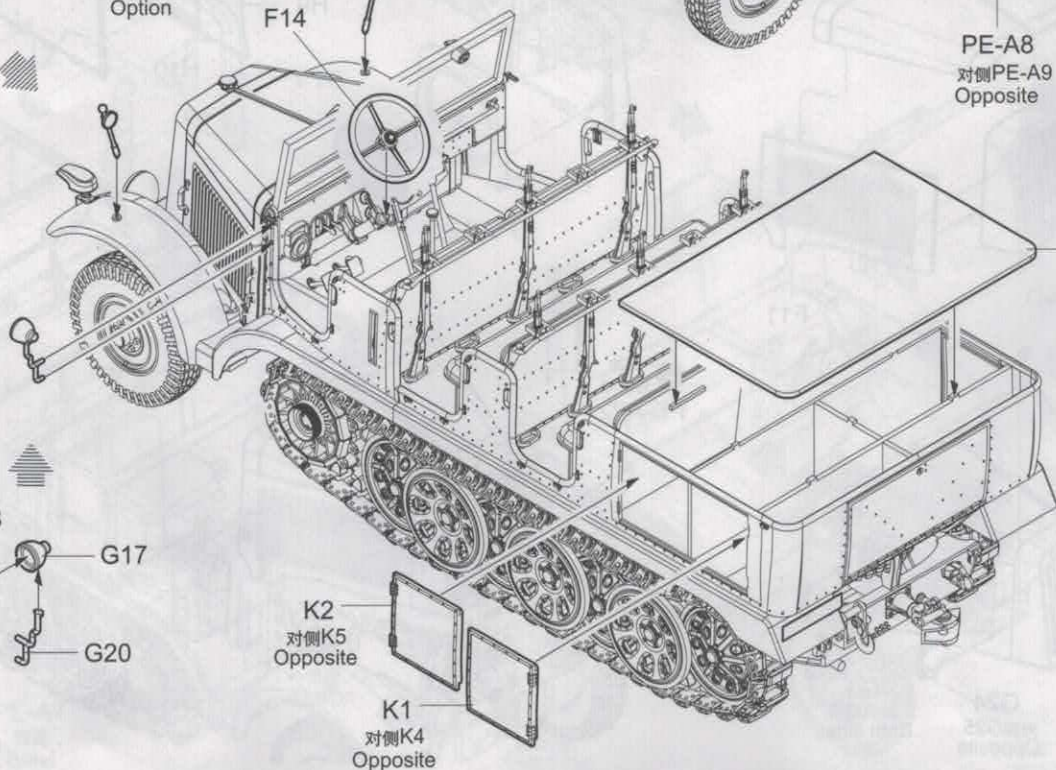
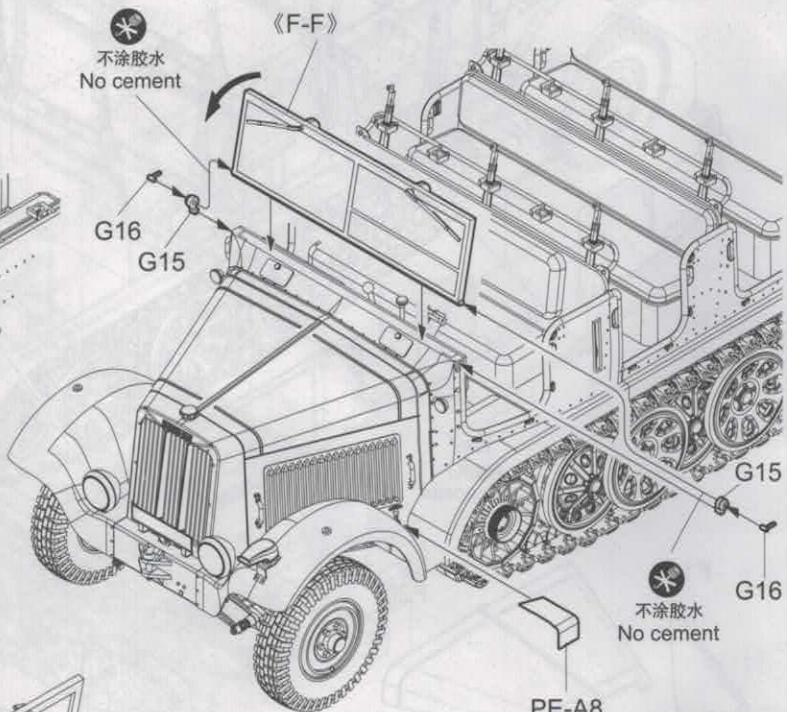
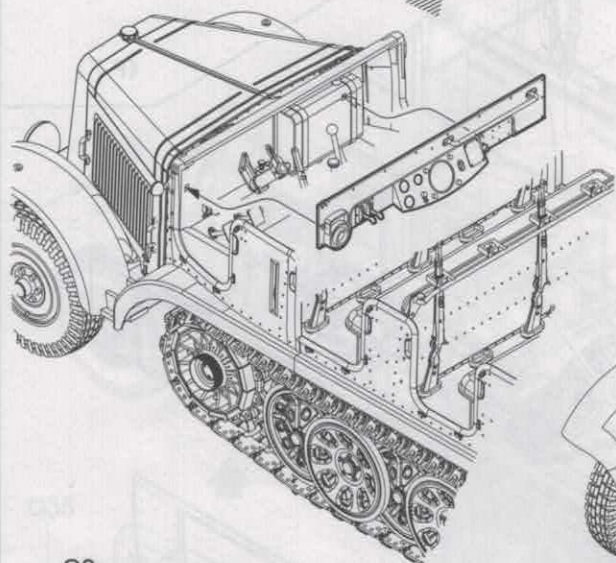
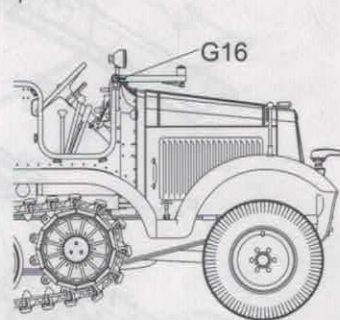
11



7 挡风玻璃挡风状态
选择
Option
Windshield open



7 挡风玻璃放下状态
选择
Option
Windshield closed

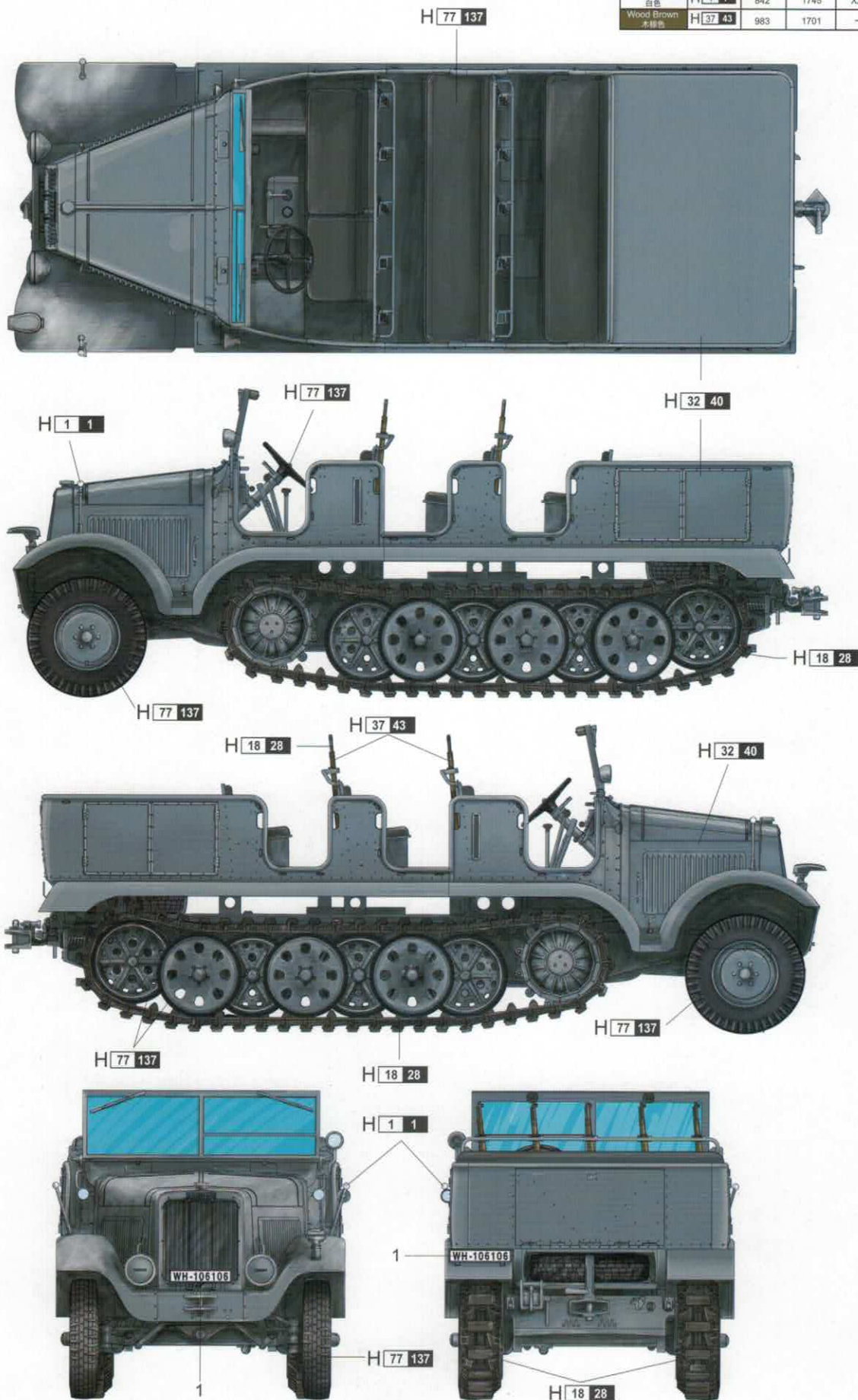


PE-A8
对侧PE-A9
Opposite

弯曲
Bend

涂装同标贴指示 Painting & Marking guide

PAINT REFERENCE COLOUR					
Color	Mr.Hobby	Vallejo	Model Master	Tamiya	Humbrol
Tire Black 胎黑色	H 77 137	—	—	—	—
Field Gray 野战灰	H 32 40	830	—	XF22	111
Steel Mesh Black 网眼色	H 18 28	864	1402	—	—
White 白色	H 1 1	842	1745	X2	22
Wood Brown 木棕色	H 37 43	983	1701	—	186



 AQUEOUS HOBBY COLOR ■ Mr. COLOR