

SM K72-40

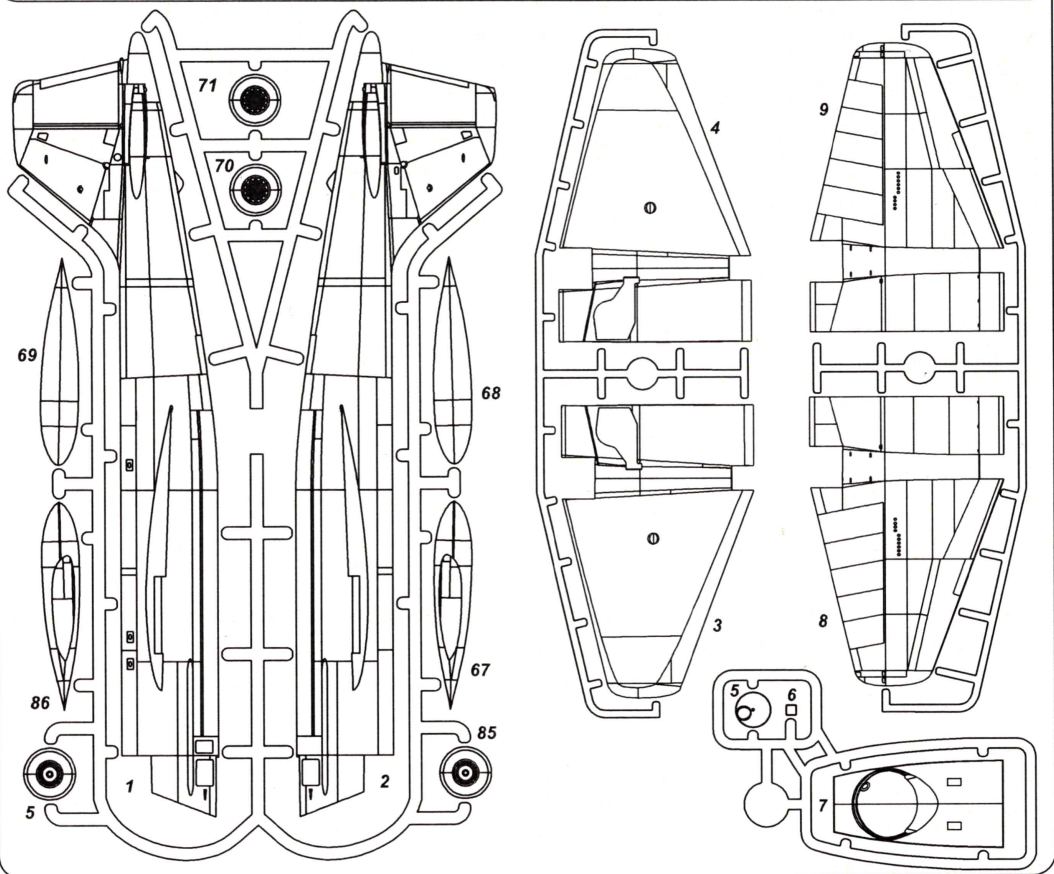


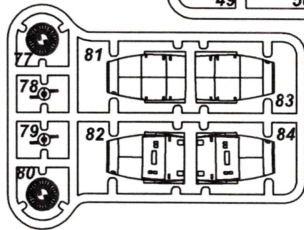
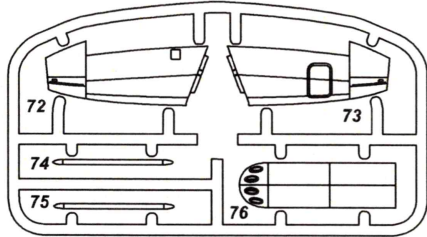
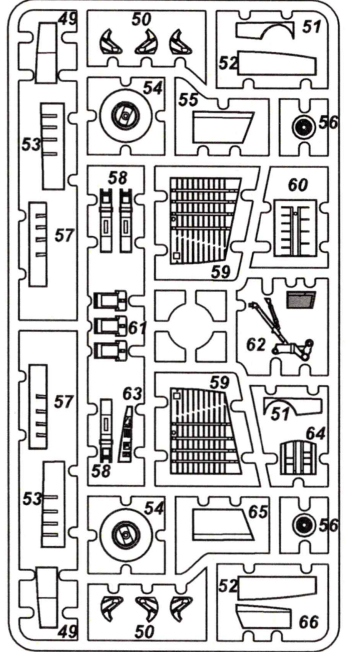
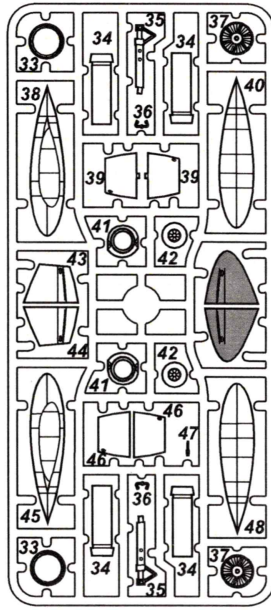
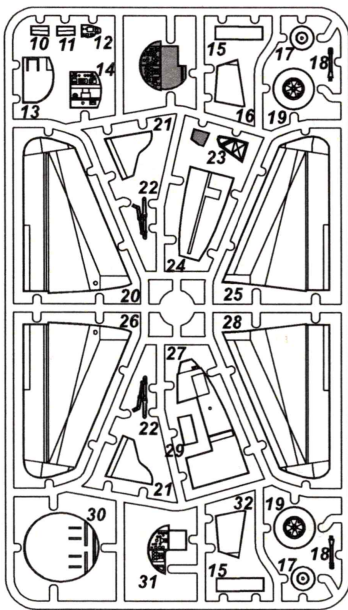
S&M Models

Scale 1:72

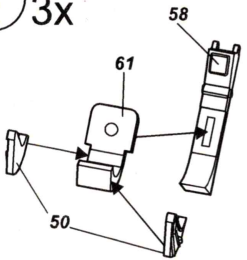
BAC Canberra B.6

The Canberra was developed in the late 1940's and early 1950's as a fast, high flying successor to the DH Mosquito Bomber. The B6 was an Improved version developed from the B2 with more powerful engines, greater fuel capacity and other equipment changes. Some 20 aircraft were converted to carry 'Blue Shadow' Side Looking Radar and were used in the Radar Reconnaissance and Target Marking role. Others were equipped with a four cannon gun pack and used in the Middle and Far East as ground attack aircraft. Radar trials were a large part of the Canberra's tasking and a CASTOR was part of this. The Canberra was used by British Forces for 57 years and was exported worldwide, even the USAF operating a locally produced version. Many airframes are preserved and can be viewed in Museum's in many Country's The Aircraft is remembered for its speed and load carrying ability. Marking options are Included for a B(1)6 and a Blue Shadow aircraft.

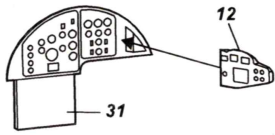




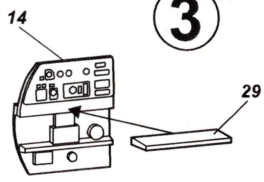
1 3x



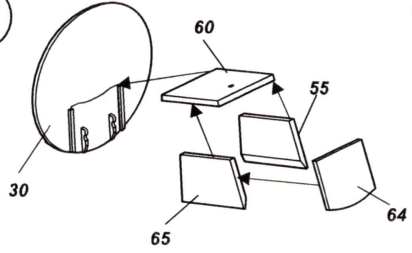
2



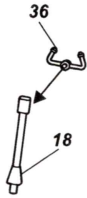
3



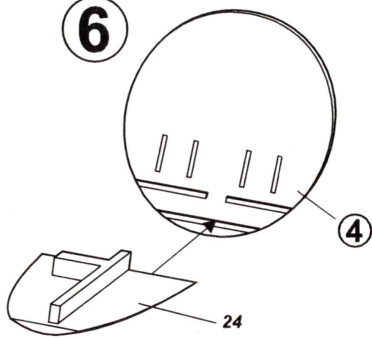
4

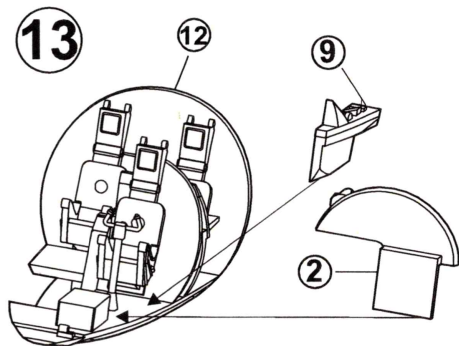
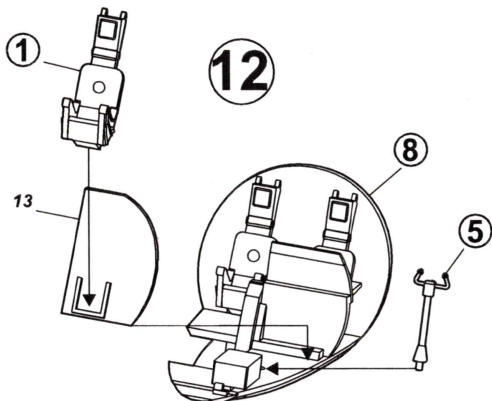
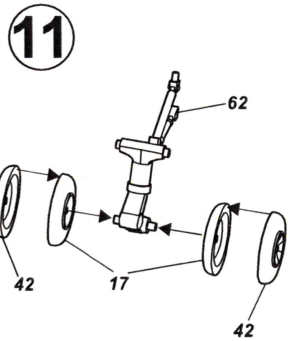
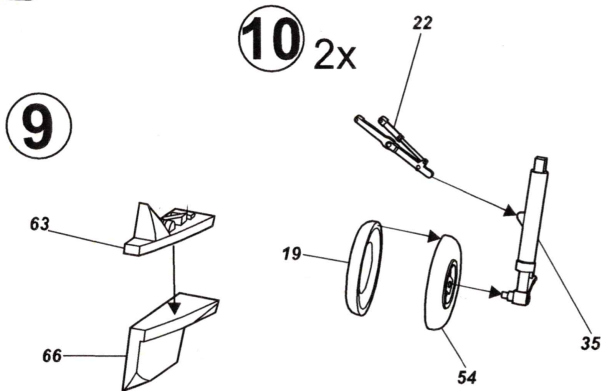
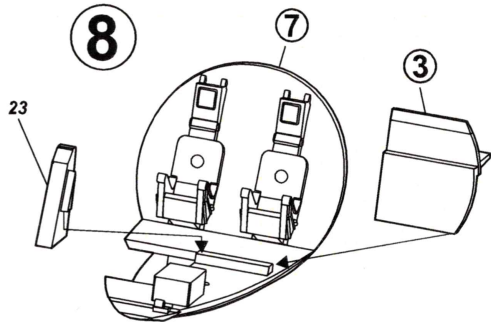
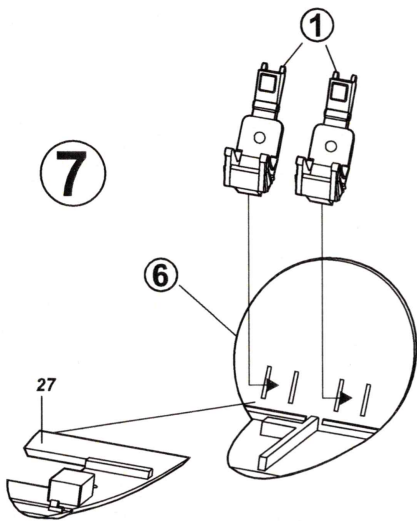


5

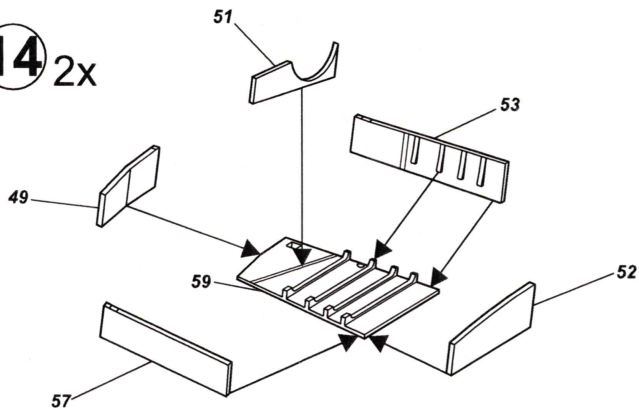


6

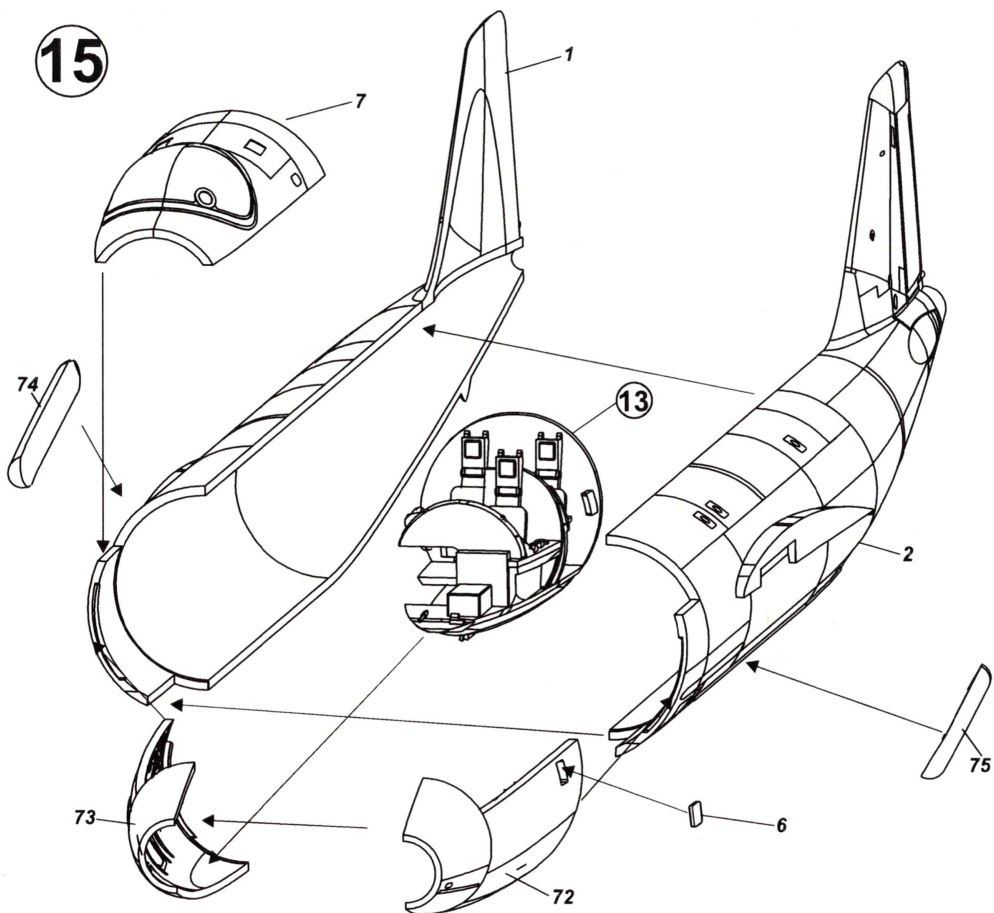




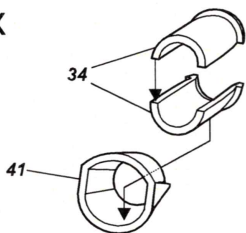
14 2x



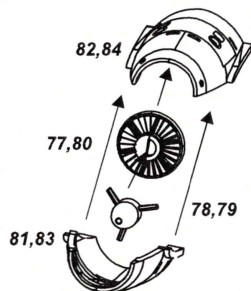
15



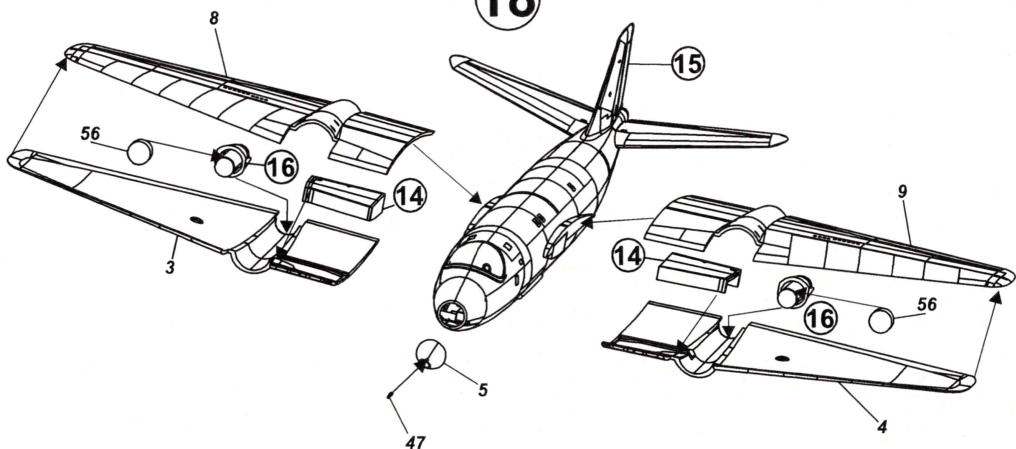
16 2x



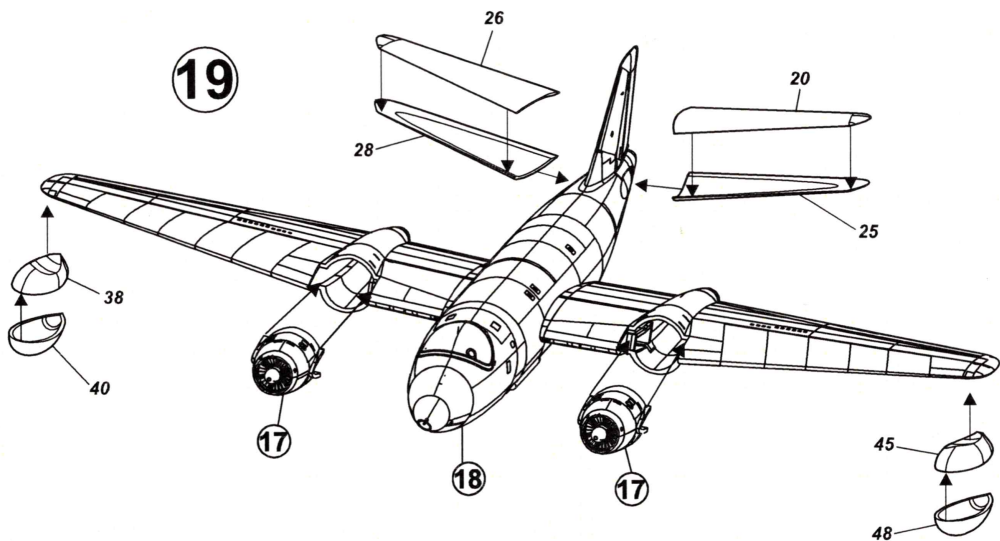
17 2x



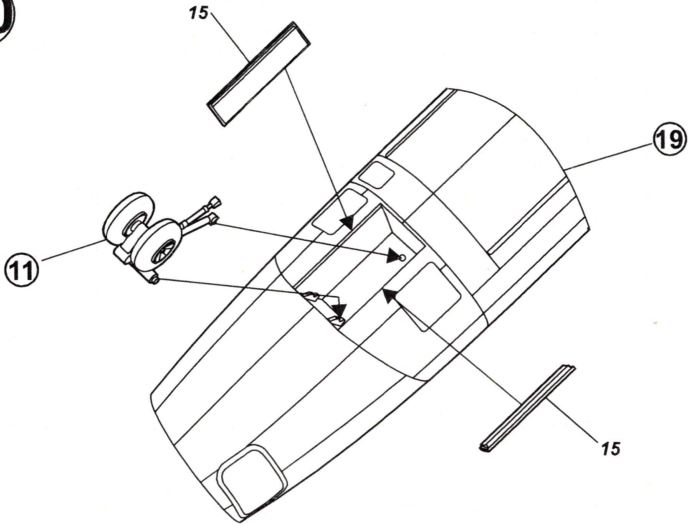
18



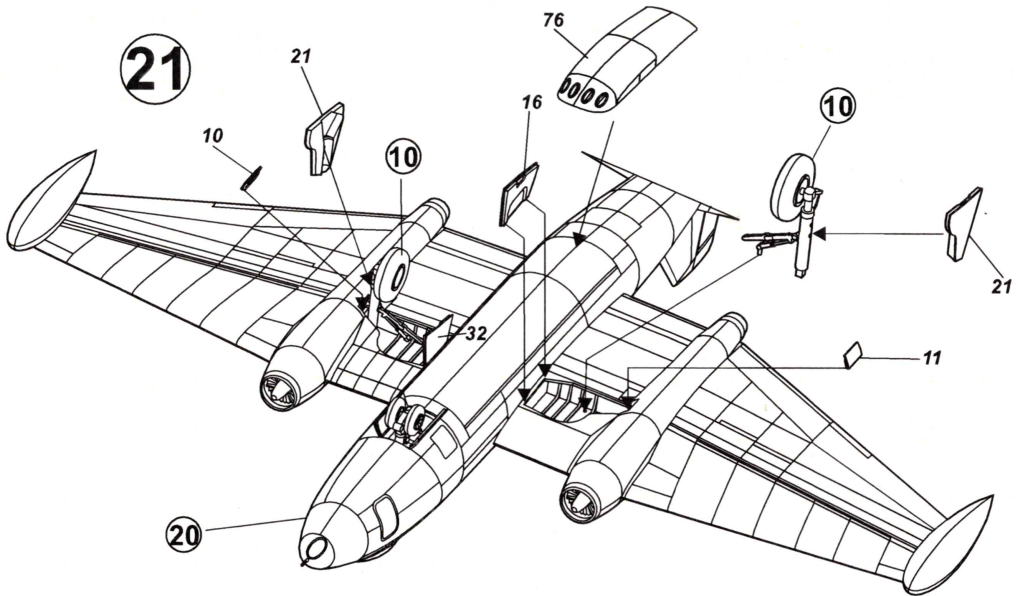
19

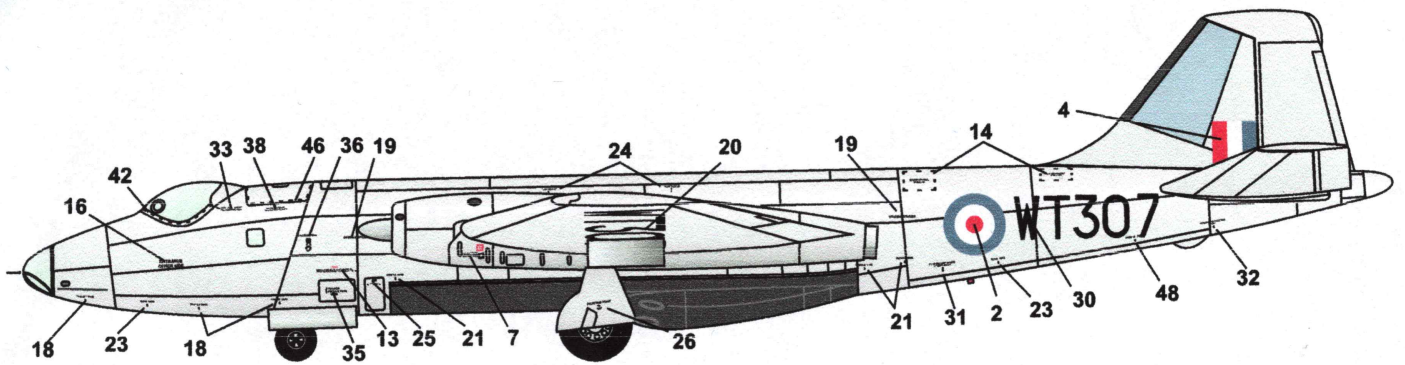


20

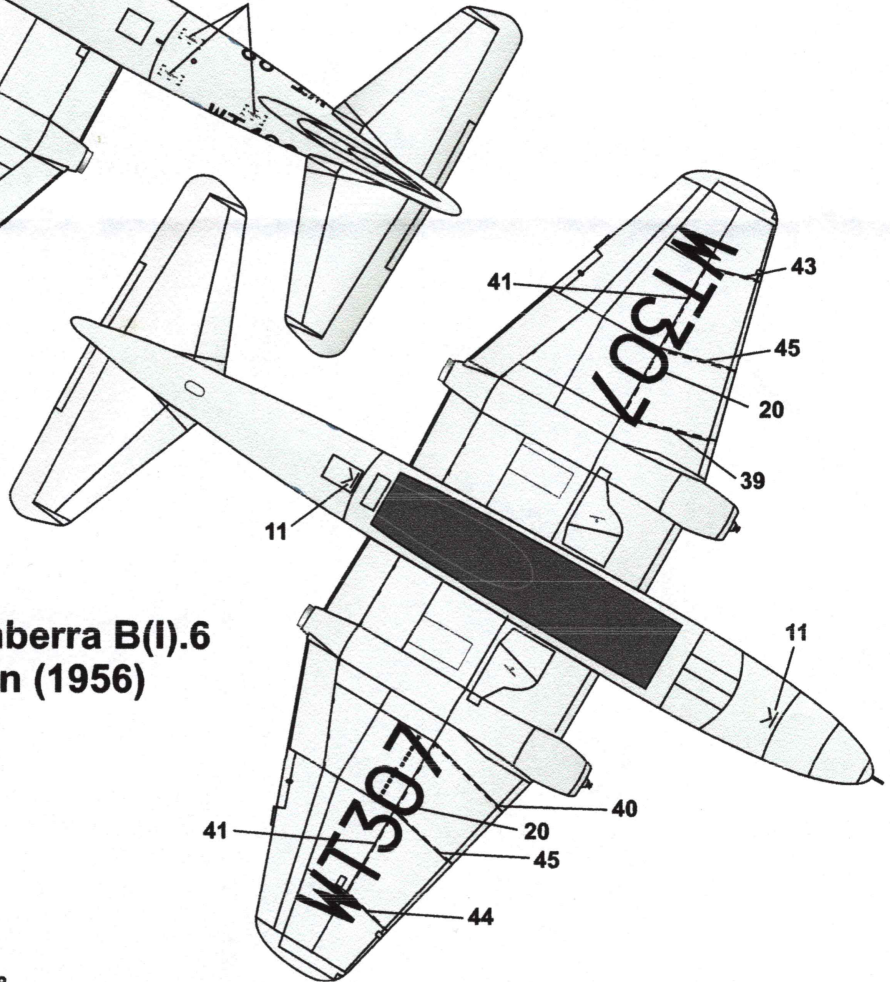
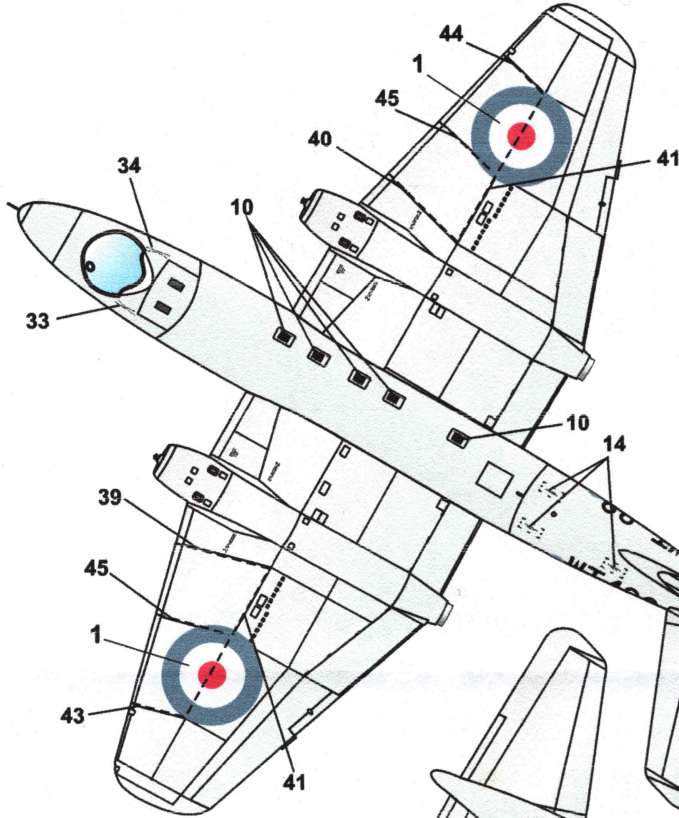


21

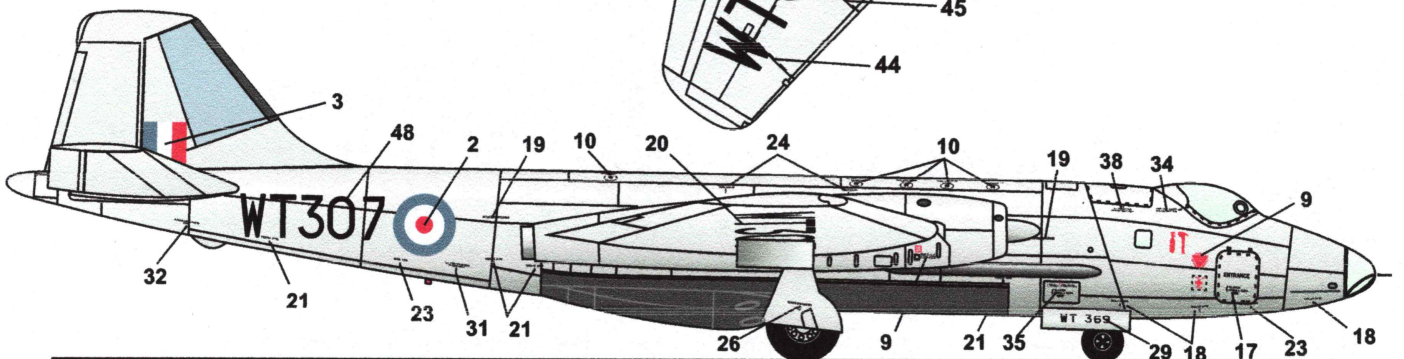


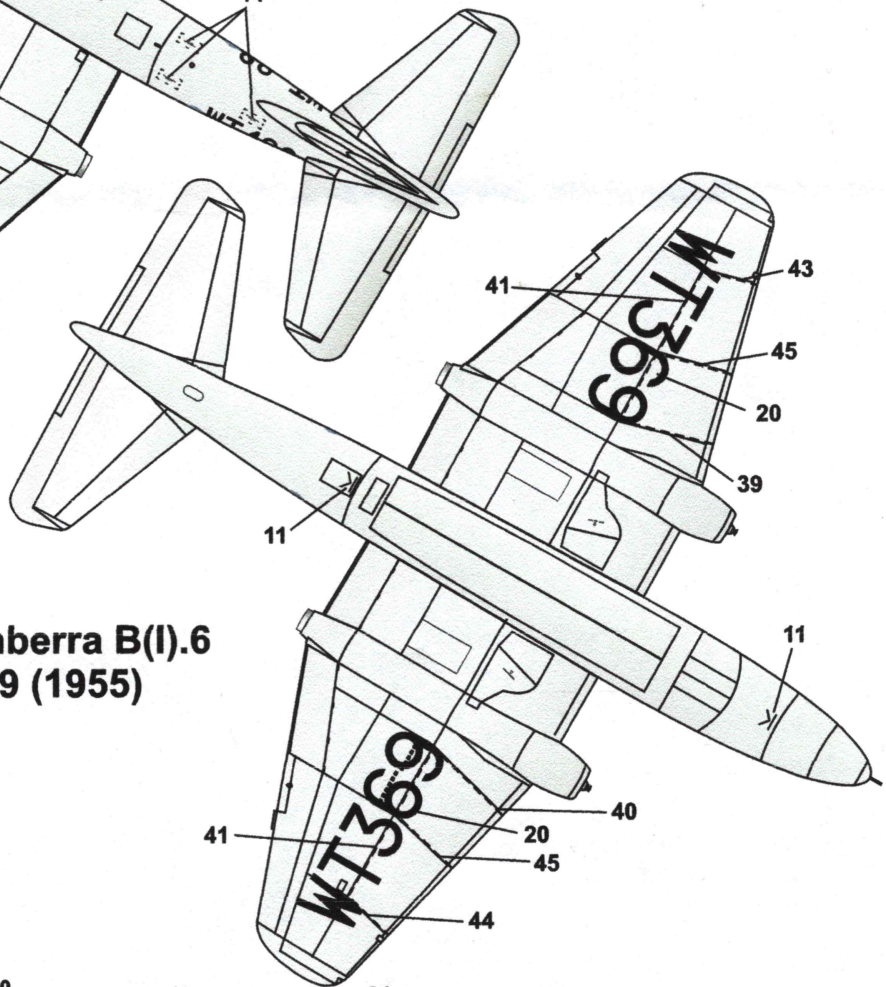
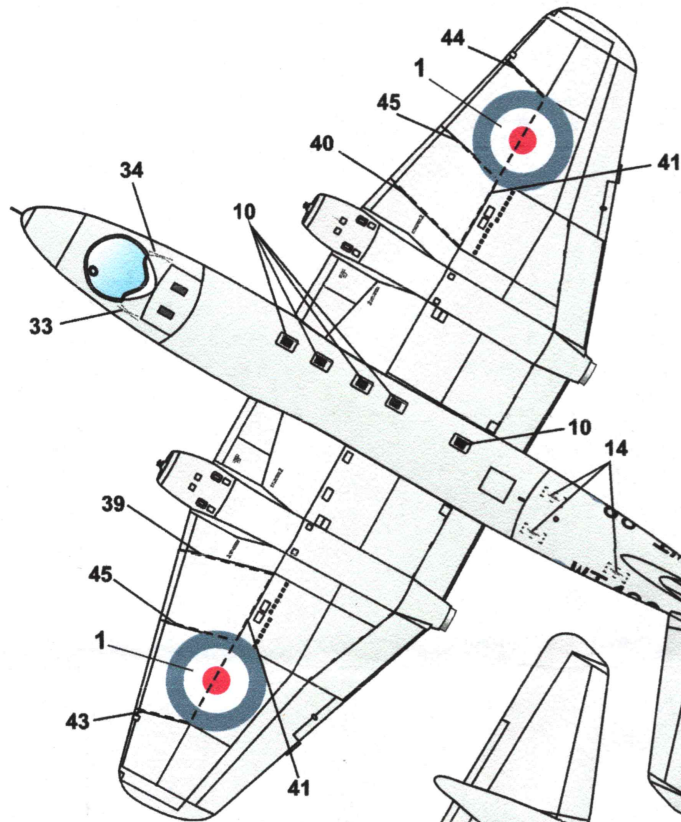
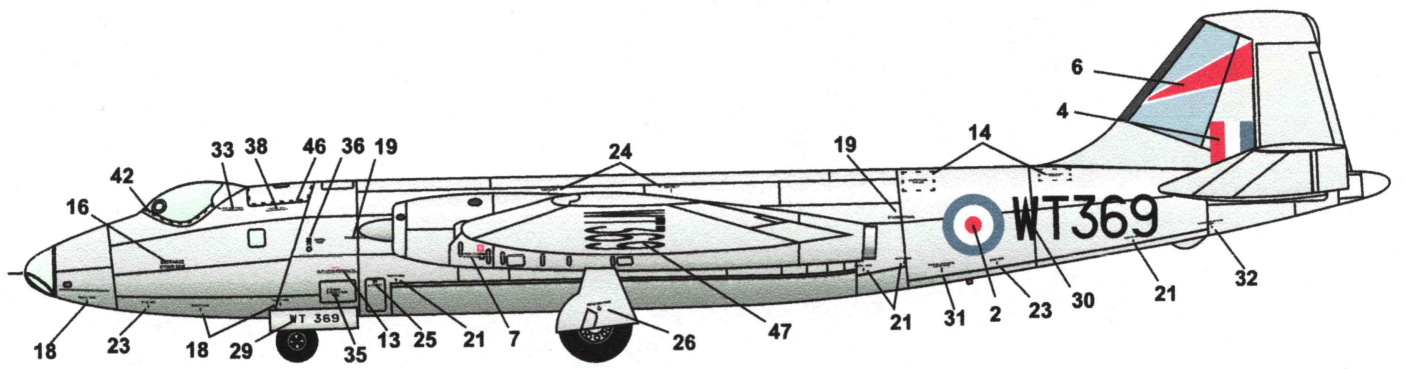


- Aluminium
- Pale Grey
- Matt Black



**English Electric Canberra B(I).6
Wt307, 213 Squadron (1956)**





- Aluminium
- Pale Grey
- Matt Black

**English Electric Canberra B(I).6
Blue Shadow, WT369 (1955)**

