

Ukraine T-64BM Bulat Main Battle Tank

乌克兰T-64BM“布洛特”主战坦克

READ BEFORE ASSEMBLY:

- Study and understand these instructions thoroughly before beginning assembly
- When needed, remove photo-etch parts carefully using a modeling knife or photo etch sprue cutter, being careful not to damage or lose small parts.
- Take extra care in handling photo etch parts in order to avoid injury
- Apply instant cement sparingly to photo etch parts where instructed
- Tools recommended(not included in kit):Plastic and instant cements, sprue cutters,long nose pliers,modeling knife, small files, tweezers, pin vise & scissors. Soft cloth and sandpaper will also assist in construction
- Glue and paint are not included in the kit. Use plastic cement and hobby paints only. Color guide for purchasing paint is included in the kit.

装配之前仔细阅读

- 小心用模型锉刀锉平所有零件表面的注射浇口。
- 小心用刀片切下蚀刻片零件，不要遗失小零件。
- 用强力快干胶水粘合蚀刻片零件和金属轴。过量快干胶水使用可能导致可动零件会粘住，小心涂胶。
- 取蚀刻片时应特别注意安全，防止利边划伤手指。
- 某些零件表面需贴上水贴纸，请选择在装配的同时进行。
- 推荐模型工具(自备)：胶水，水口剪刀，长咀钳，刀片，锉刀，镊子，钳，钻，剪刀，瞬间快干胶。
- 软布同砂纸同时也是所需工具。
- 请使用塑料胶水和油漆，模型内不含。



使用强力胶
Cyanoacrylate glue



配重
Weight



钻孔
Make hole



切除
Cut / Remove



贴纸
Decal



锉平
File / Sand



选择
Option



不涂胶水
No cement



弯曲
Bend



先装
Install it first



填补
Repair

水贴纸的使用:

- 1.从水贴纸上剪下印花;
- 2.将印花放入温水中浸10秒，然后放在干净布上。
- 3.拿着印花纸板将印花移到模型上;
- 4.手指蘸水将印花移到适当的位置;
- 5.用软布轻压印花直至水干，气泡消失

DECAL APPLICATION

- 1.Cut decals from sheet as needed
- 2.Dip the decal in warm water for about 10 seconds and then place on soft clean cloth.
- 3.Hold the decal backing sheet edge and gently slide the decal onto the model in its proper position.

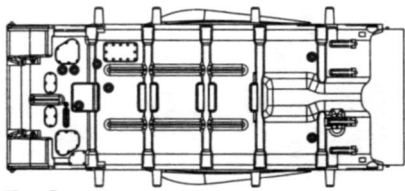
- 4.While still wet,decal can be adjusted for better fit on model by dampening it gently with your finger.
- 5.When placed in the proper position,gently press decal down with a soft cloth until excess water and air bubbles are gone.
- 6.Allow decal to dry completely before handling model

* 说明书中含有重要信息，应保留。 Please Keep instruction since it contains important information.

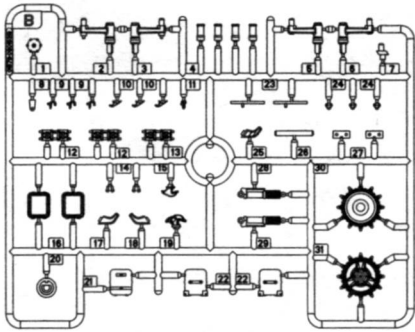
部品图

Parts

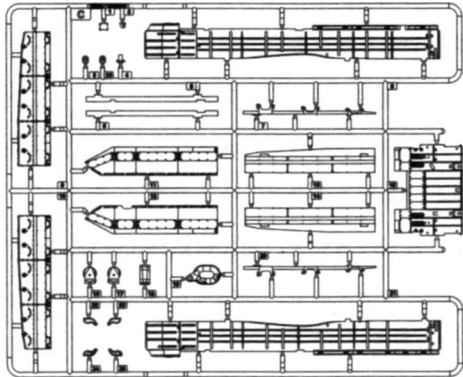
《车底》
Lower hull



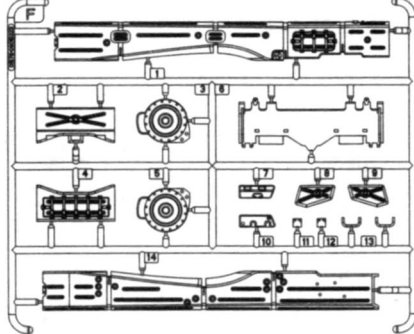
Bx2



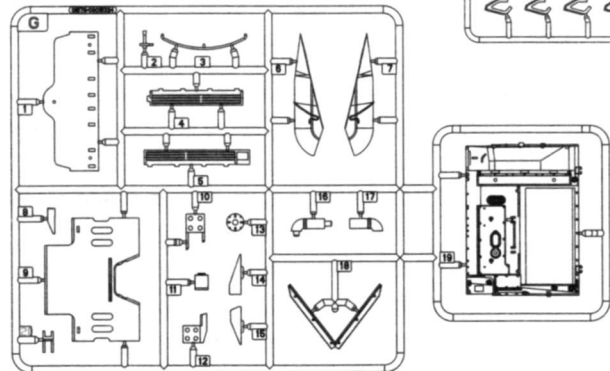
C



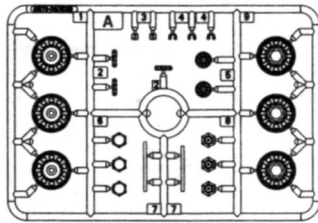
F



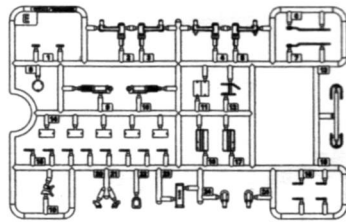
G



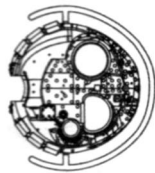
Ax5



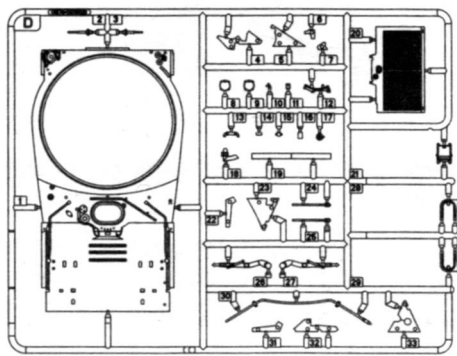
Ex2



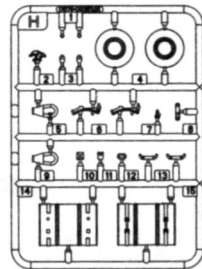
《炮塔》E25
Turret



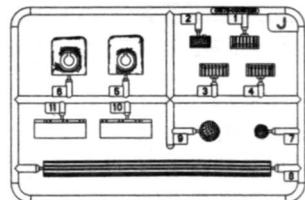
D



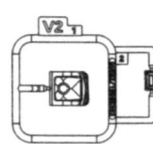
Hx2



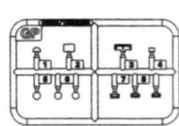
J



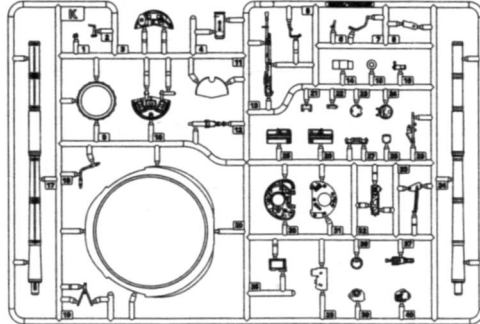
V2



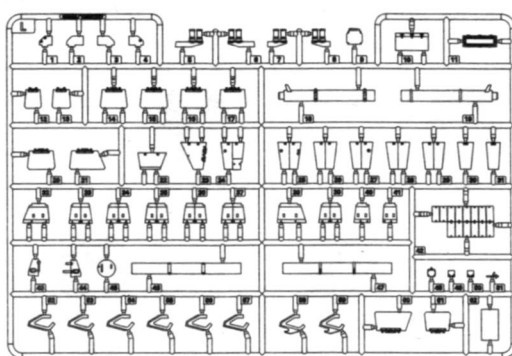
GP



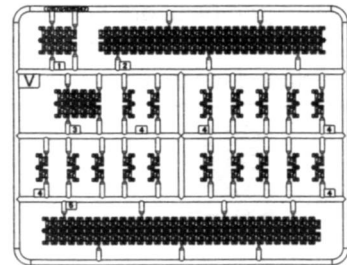
K



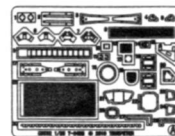
L



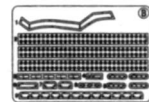
Vx2



《蚀刻片A》
PE-A



《蚀刻片B》
PE-B



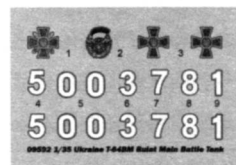
《铜缆》
Copper cable
Ø 0.80mm × 250mm

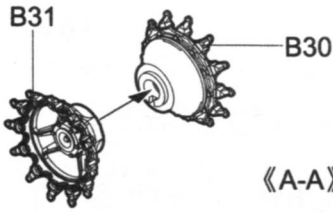


《铜线》
Brass wire
Ø 0.50mm × 20mm

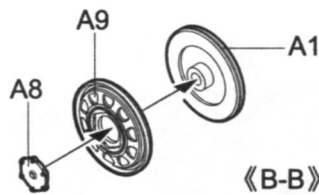


《贴纸》
Decal

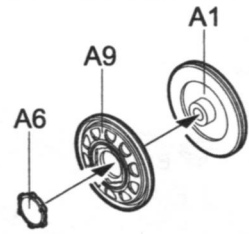




《A-A》
制作2组
Make two

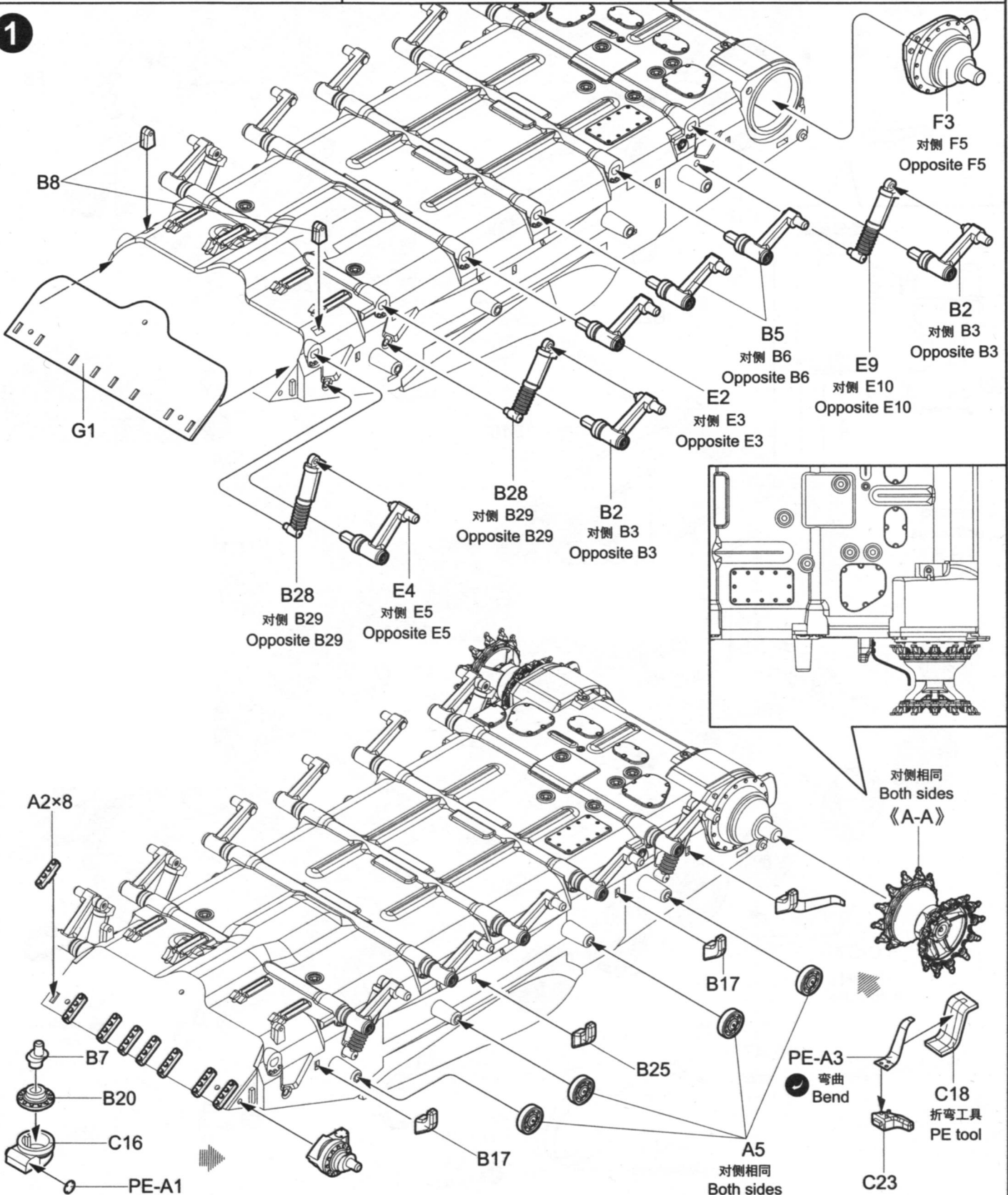


《B-B》
制作2组
Make two



《C-C》
制作12组
Make twelve

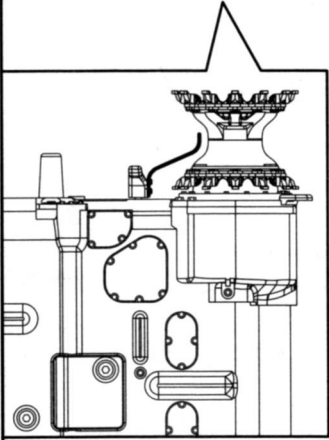
1



2

折弯工具
PE tool

弯曲
Bend
PE-A3



B18

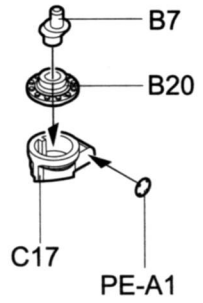
B25

B18

B23

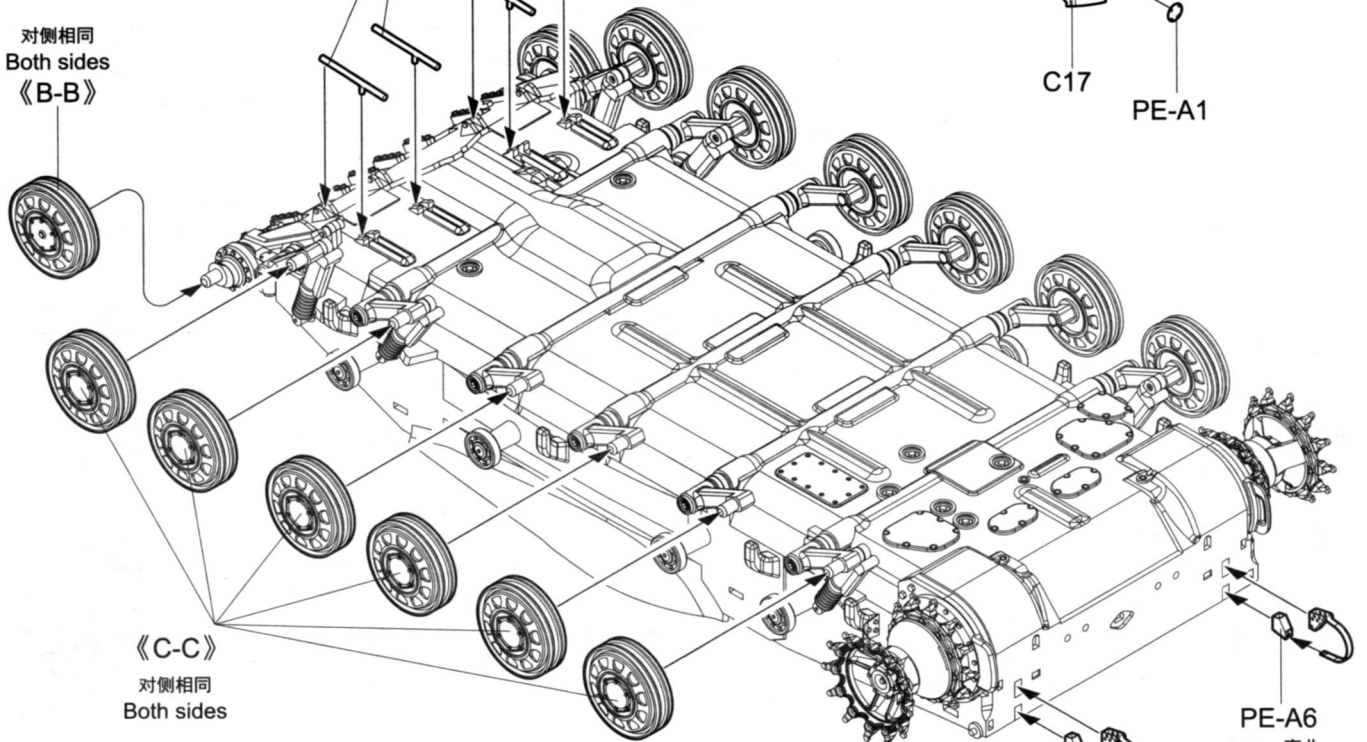
B14

F6



对侧相同
Both sides
《B-B》

《C-C》
对侧相同
Both sides



PE-A7
弯曲
Bend

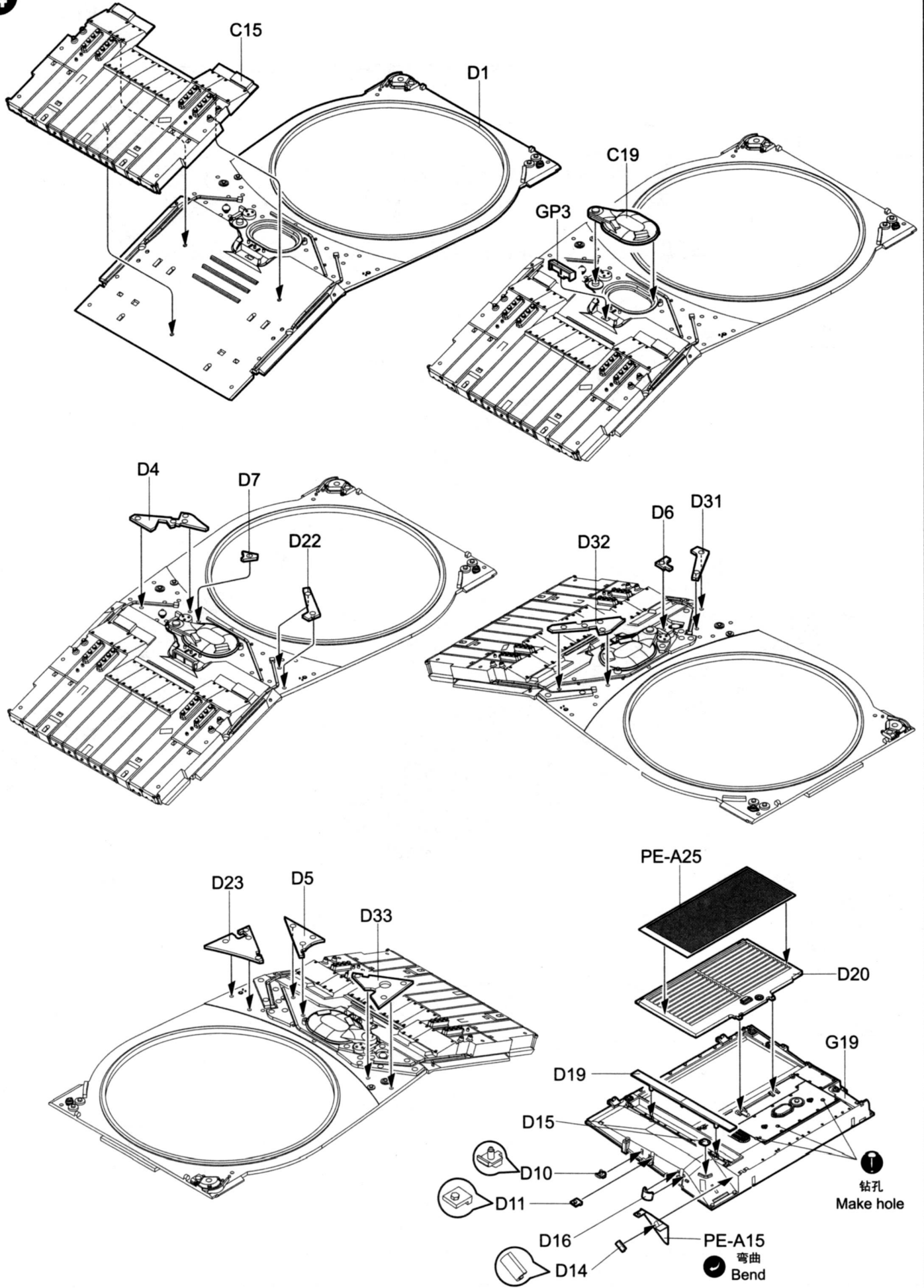
制作2组
Make two

PE-A2
弯曲
Bend

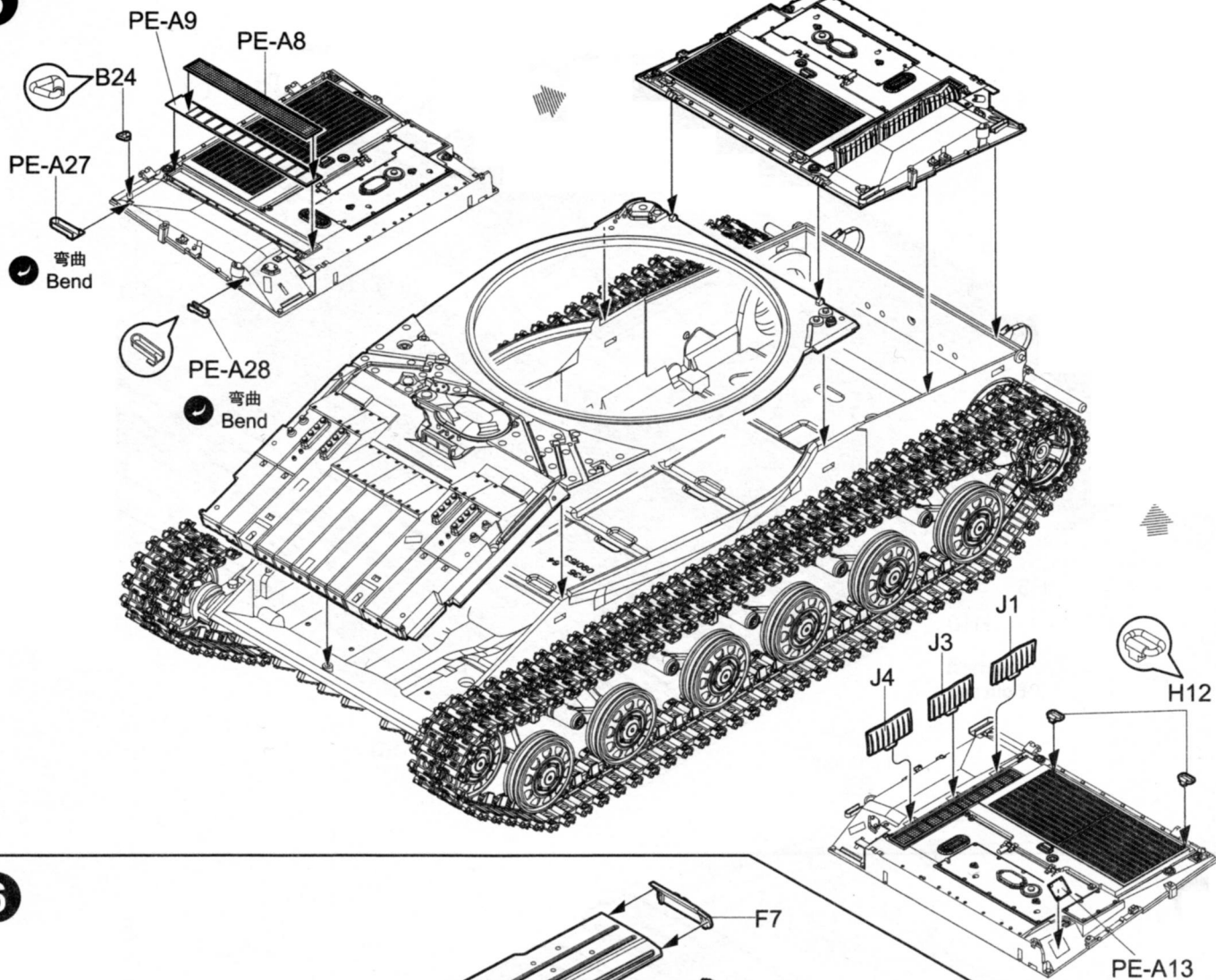
PE-A6
弯曲
Bend

PE-A6
弯曲
Bend

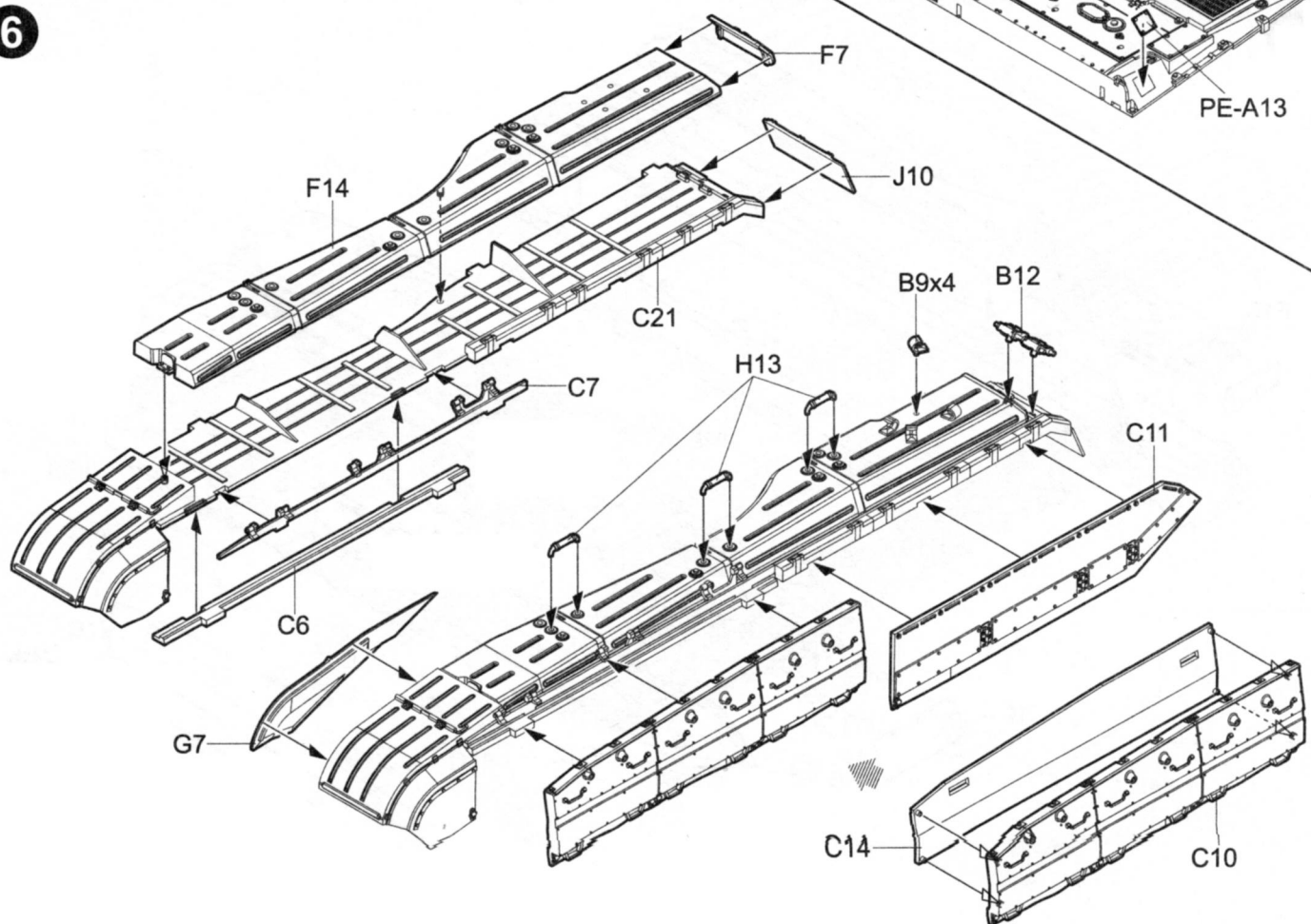
4



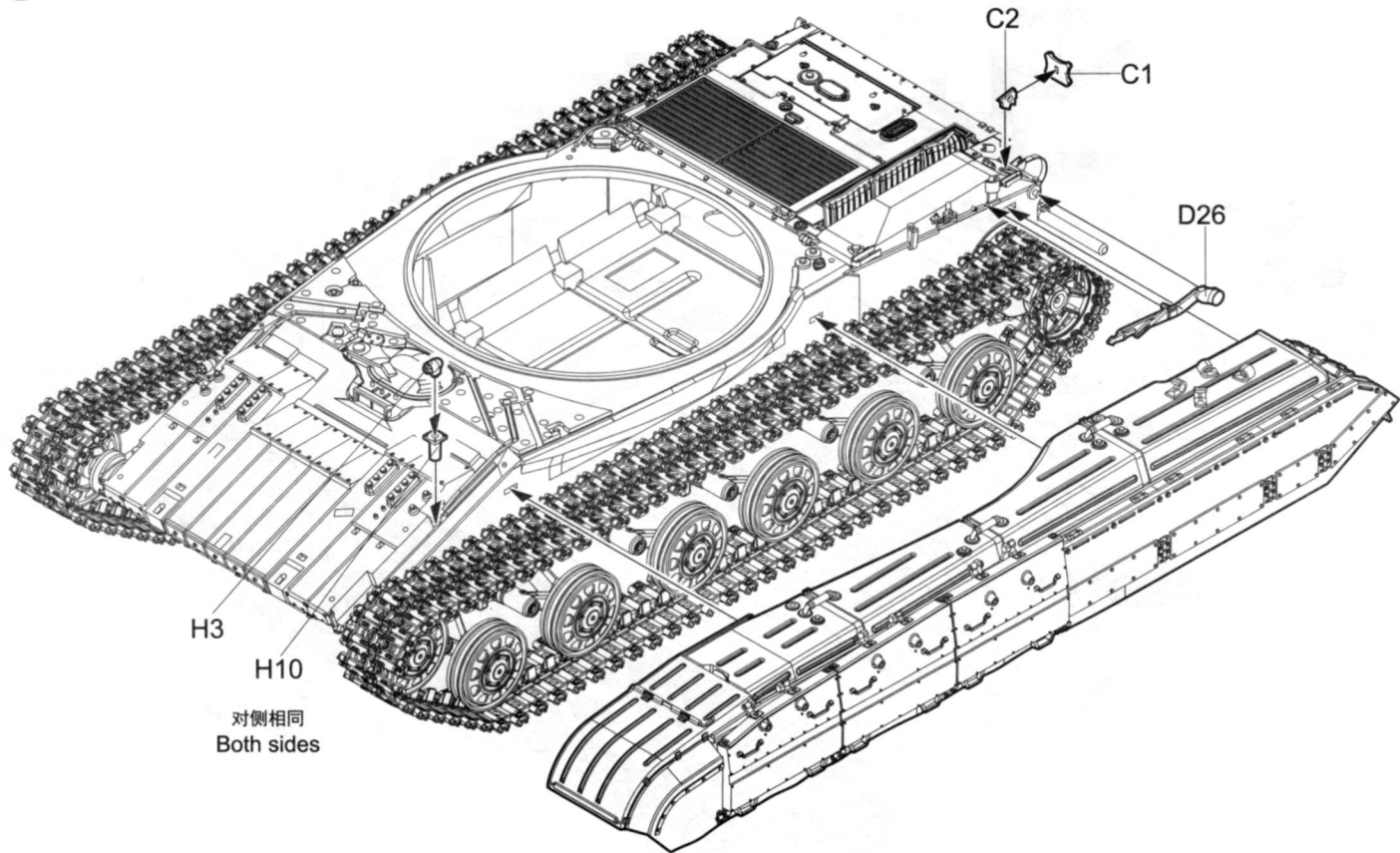
5



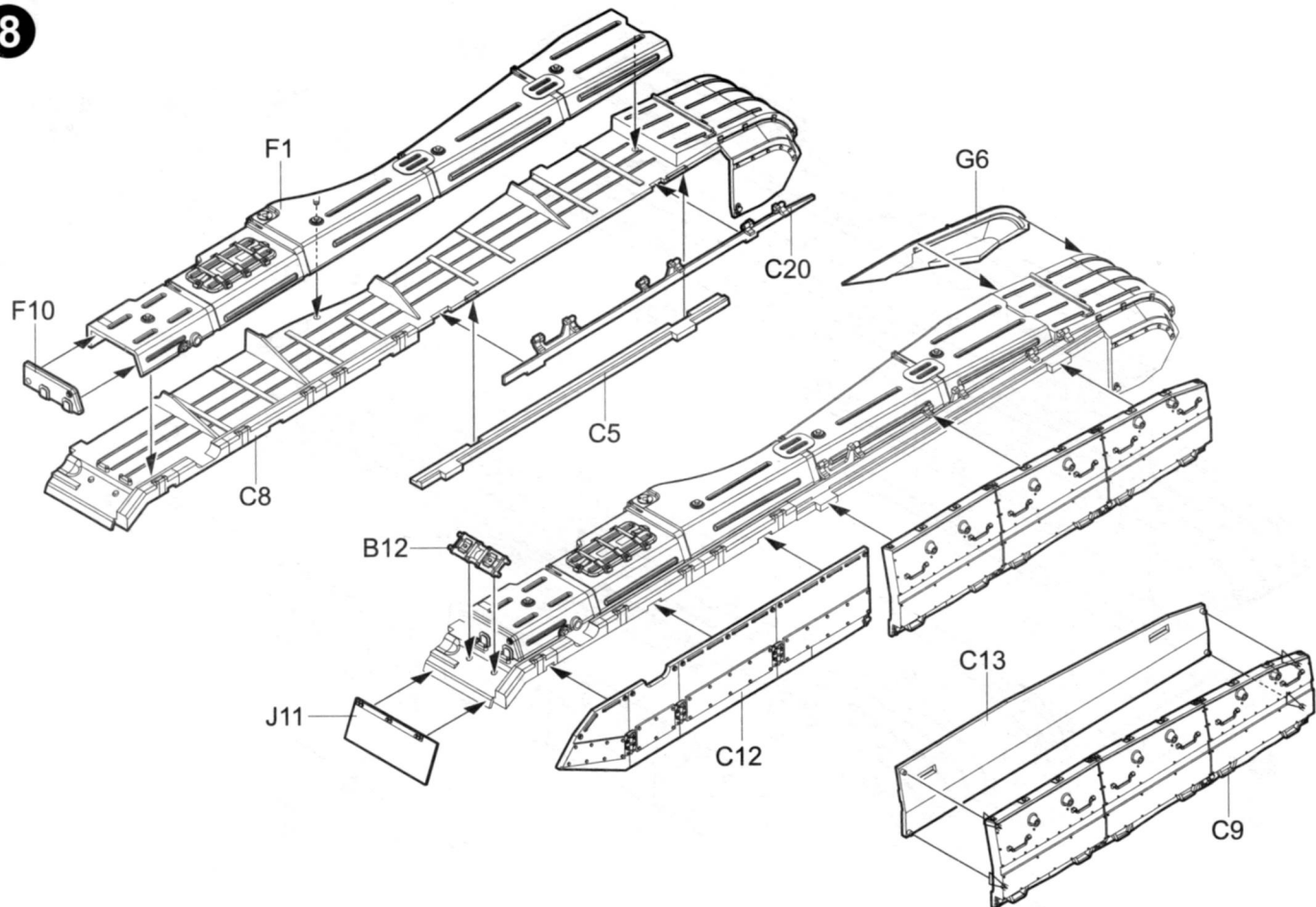
6

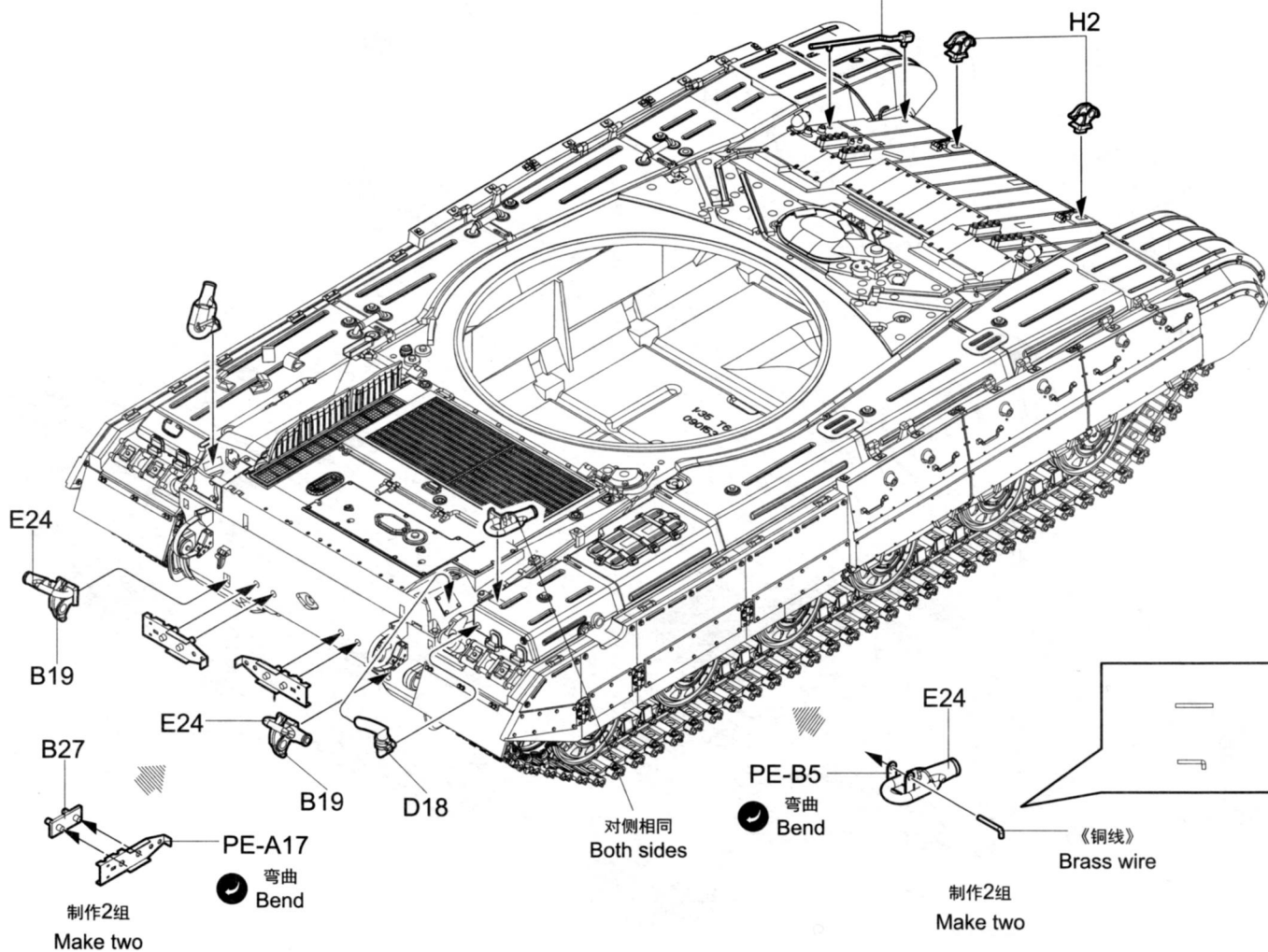
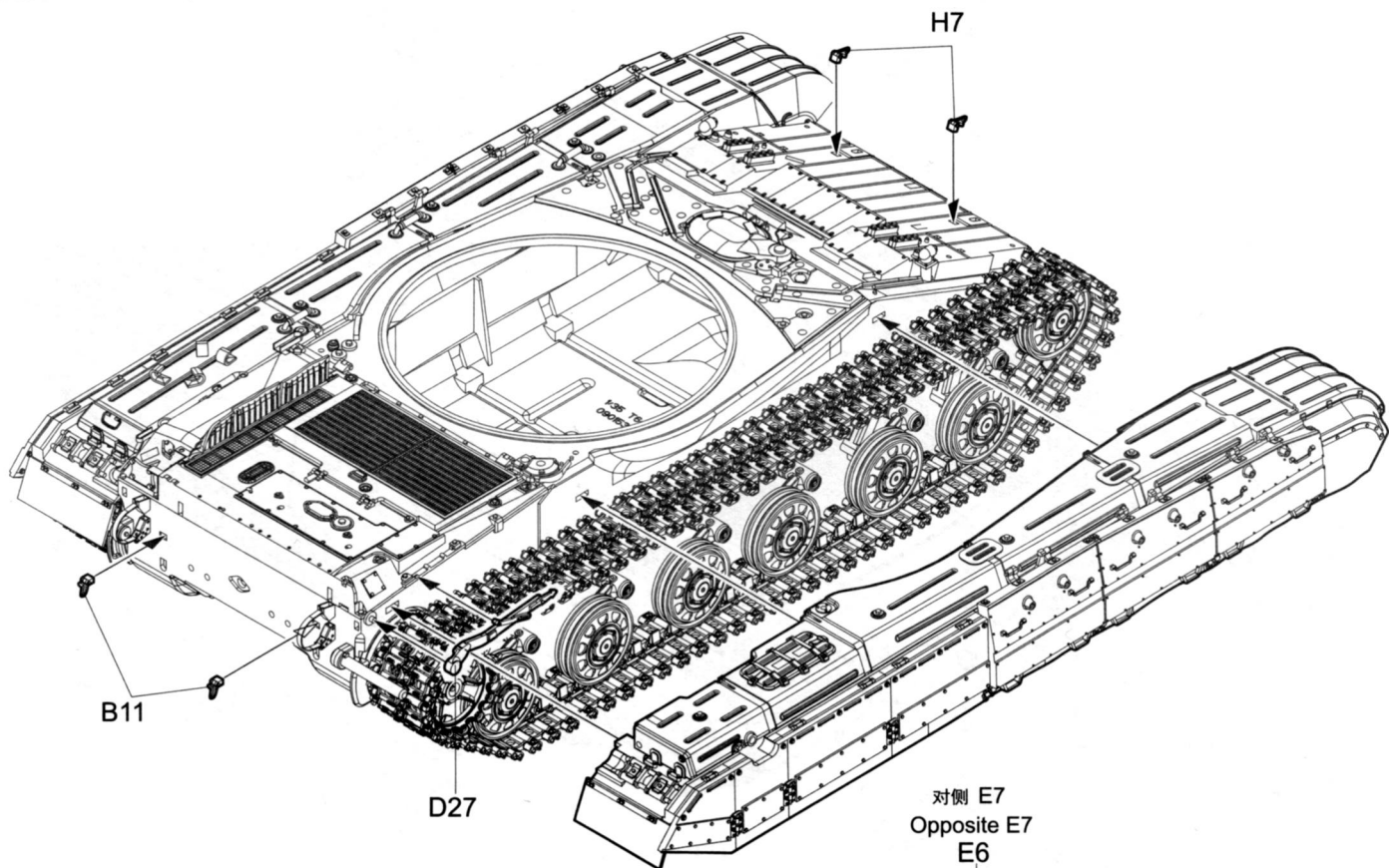


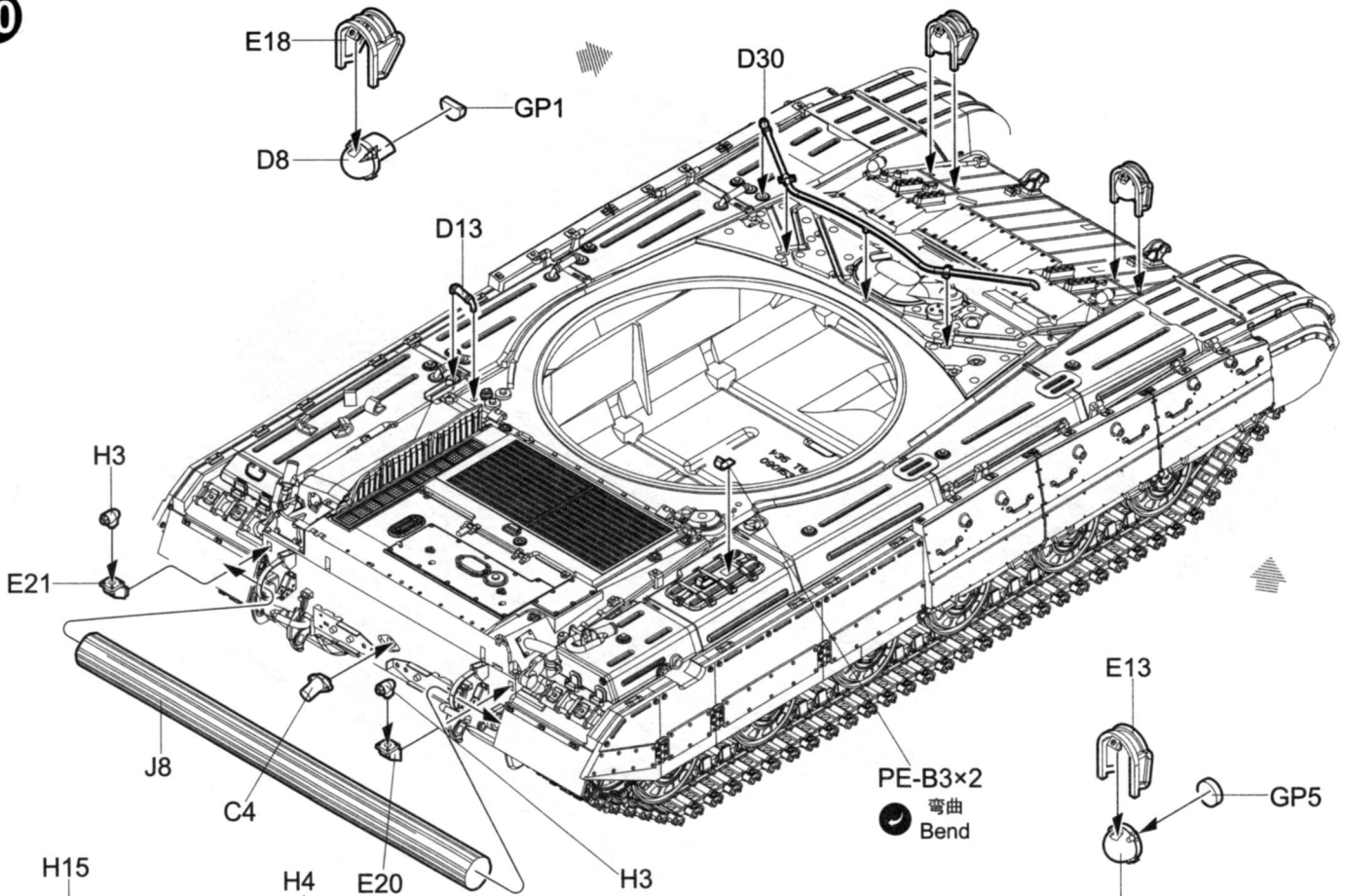
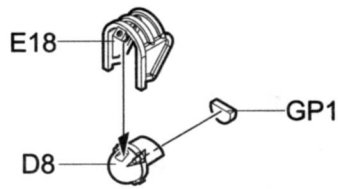
7



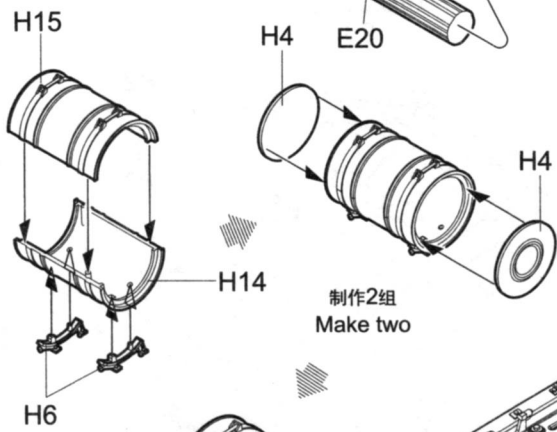
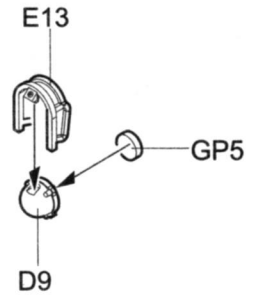
8







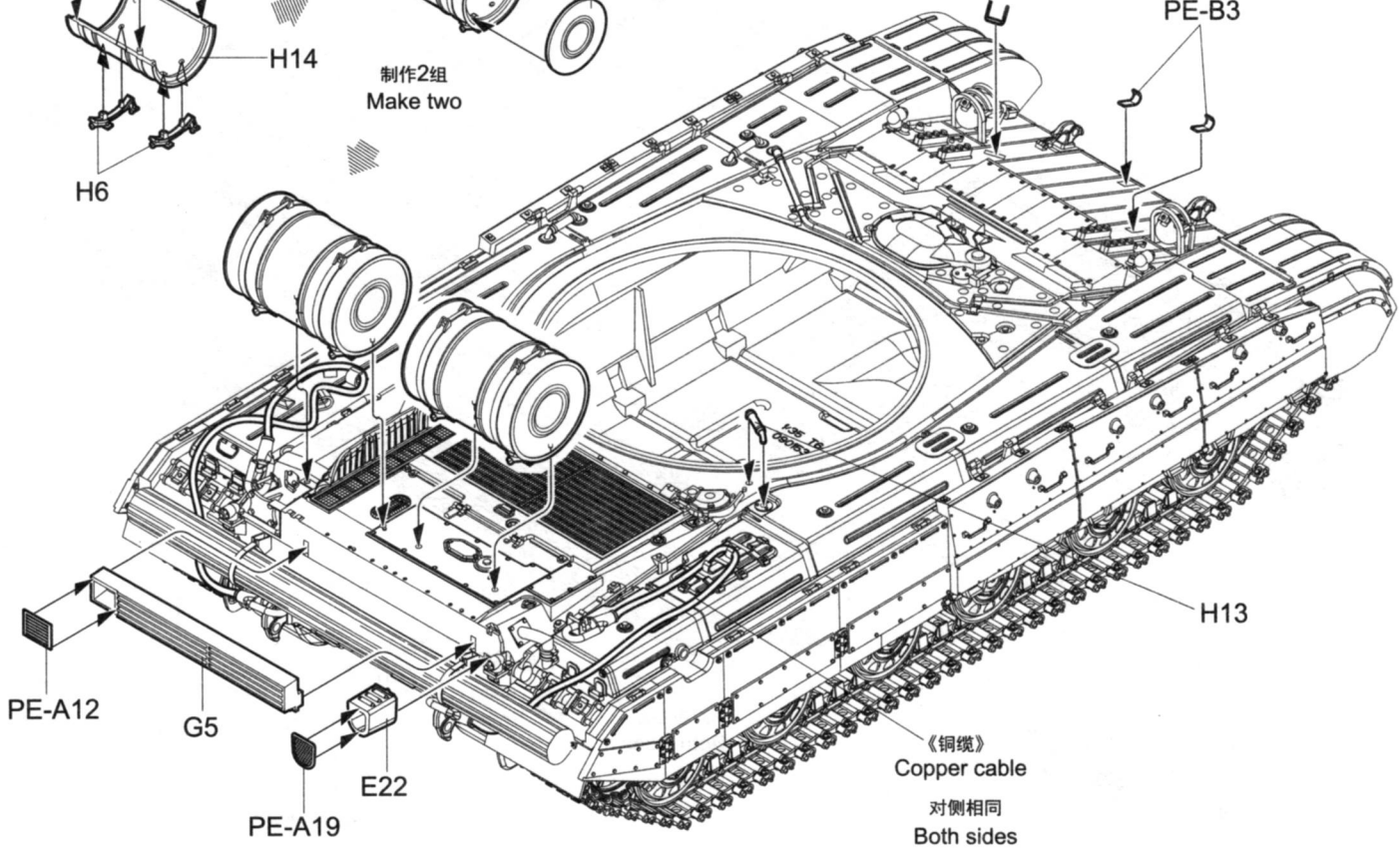
PE-B3×2
弯曲
Bend



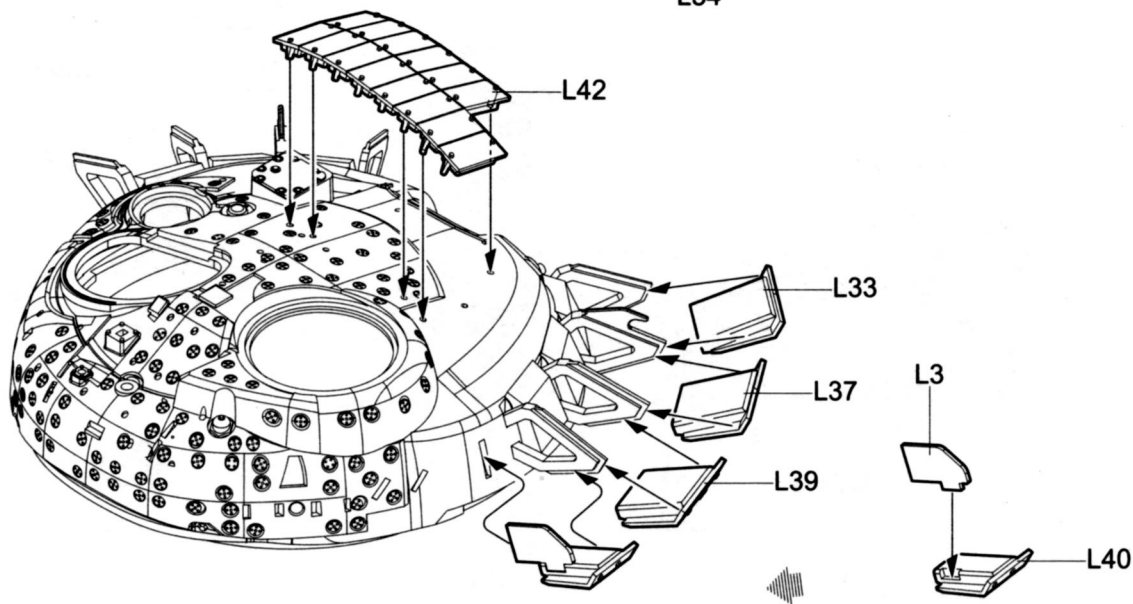
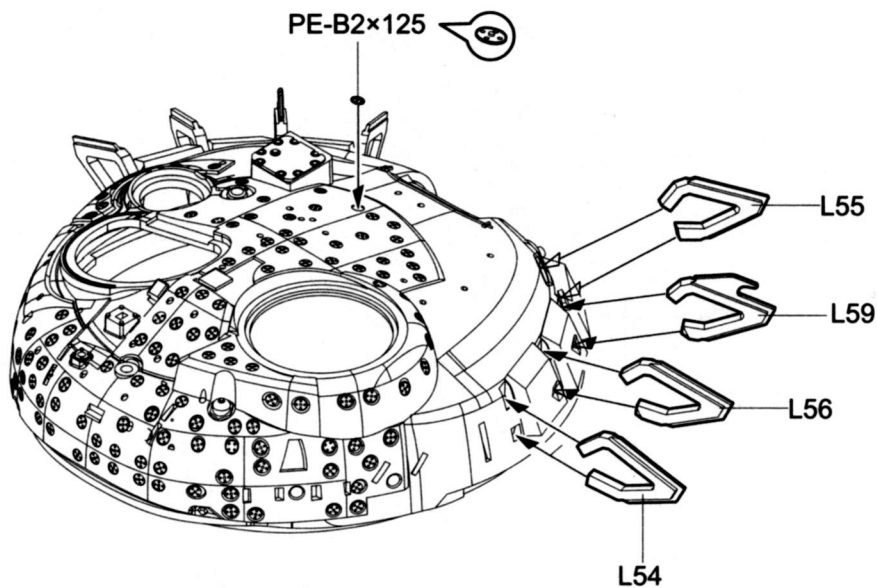
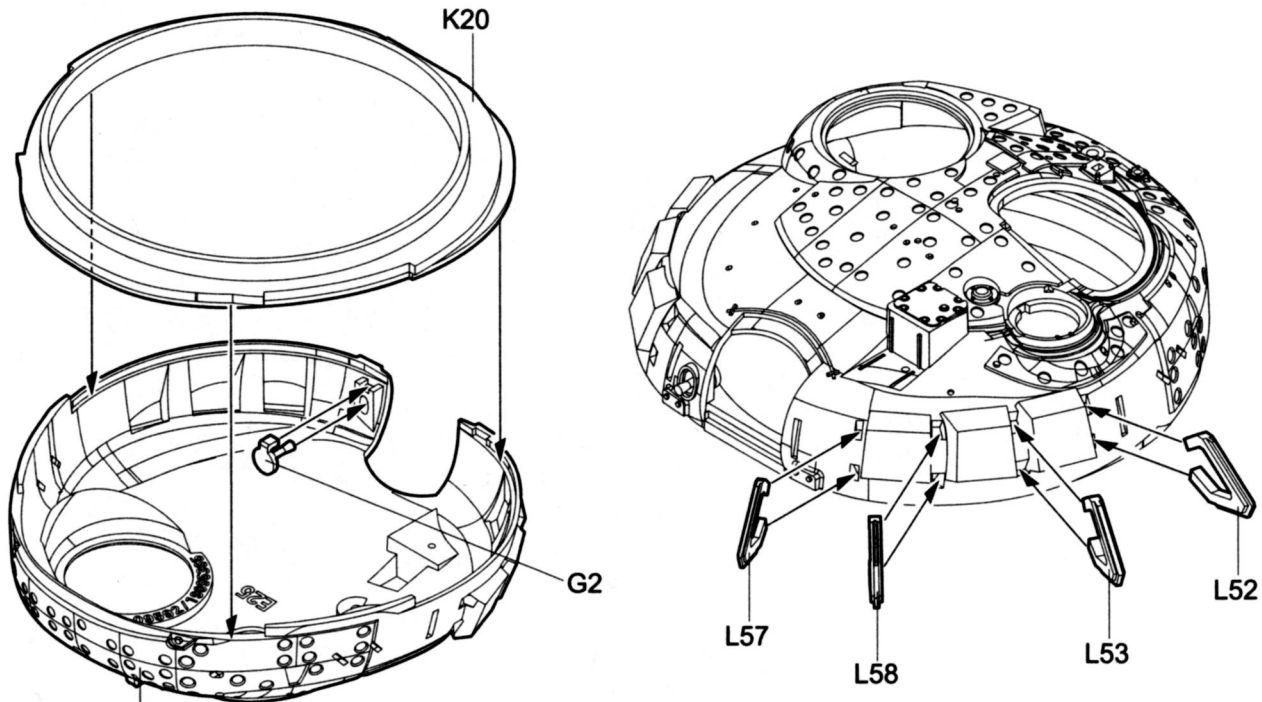
制作2组
Make two

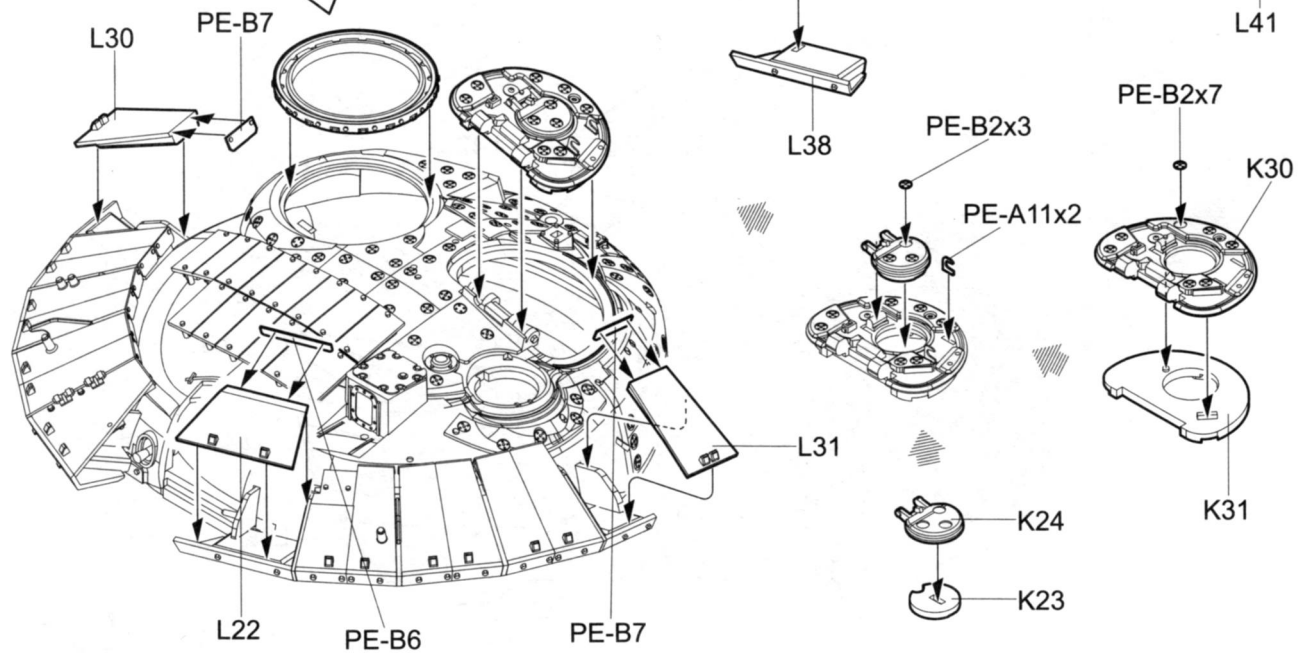
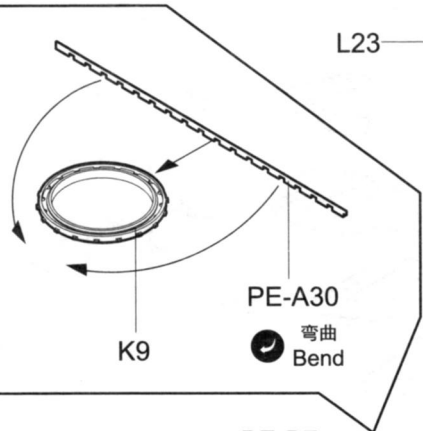
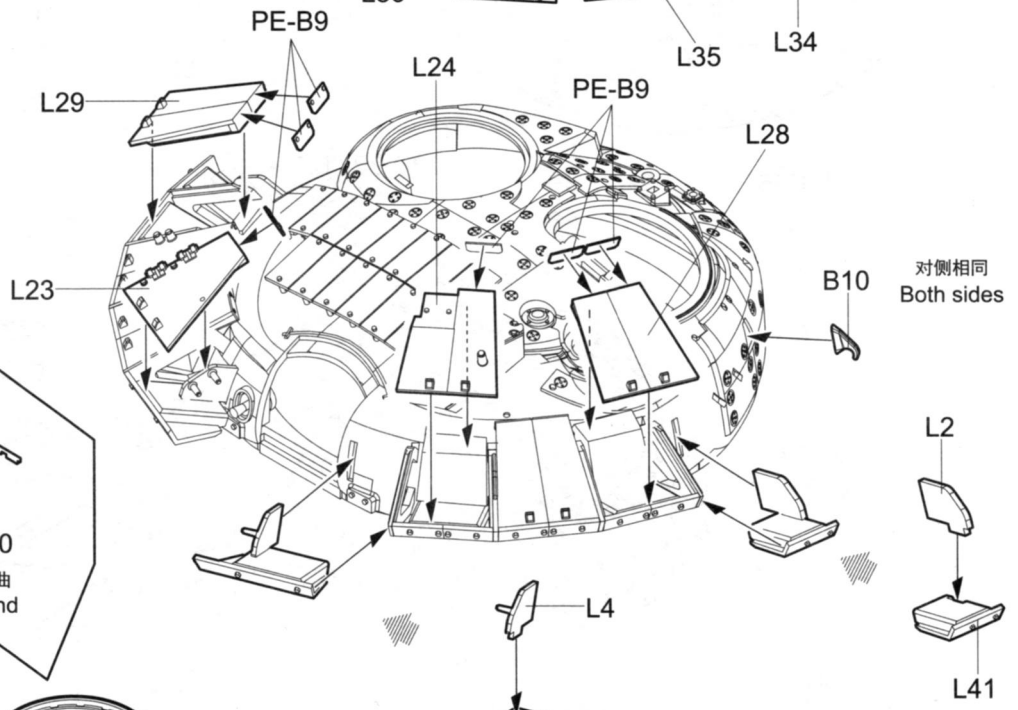
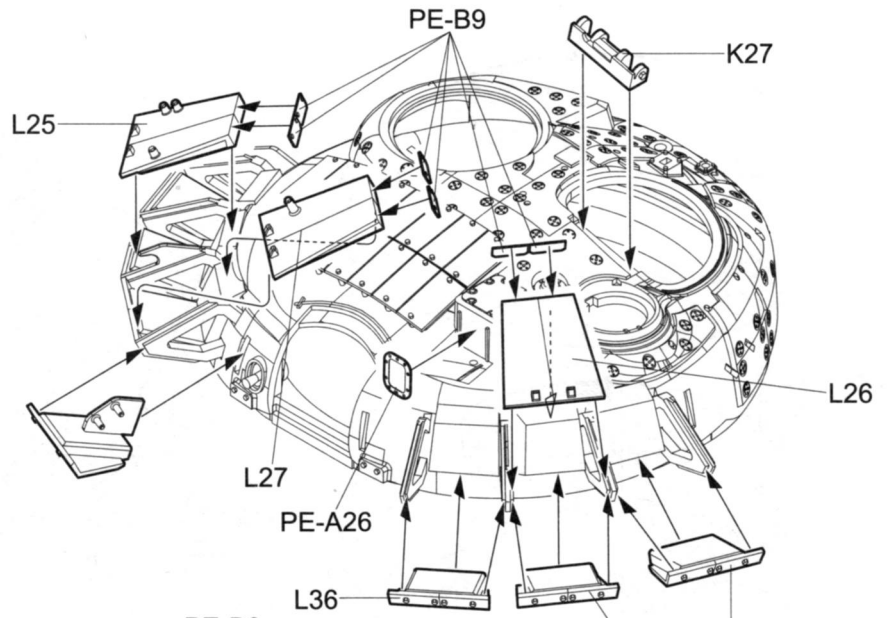
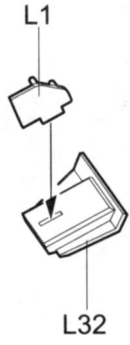
弯曲
Bend
PE-B5

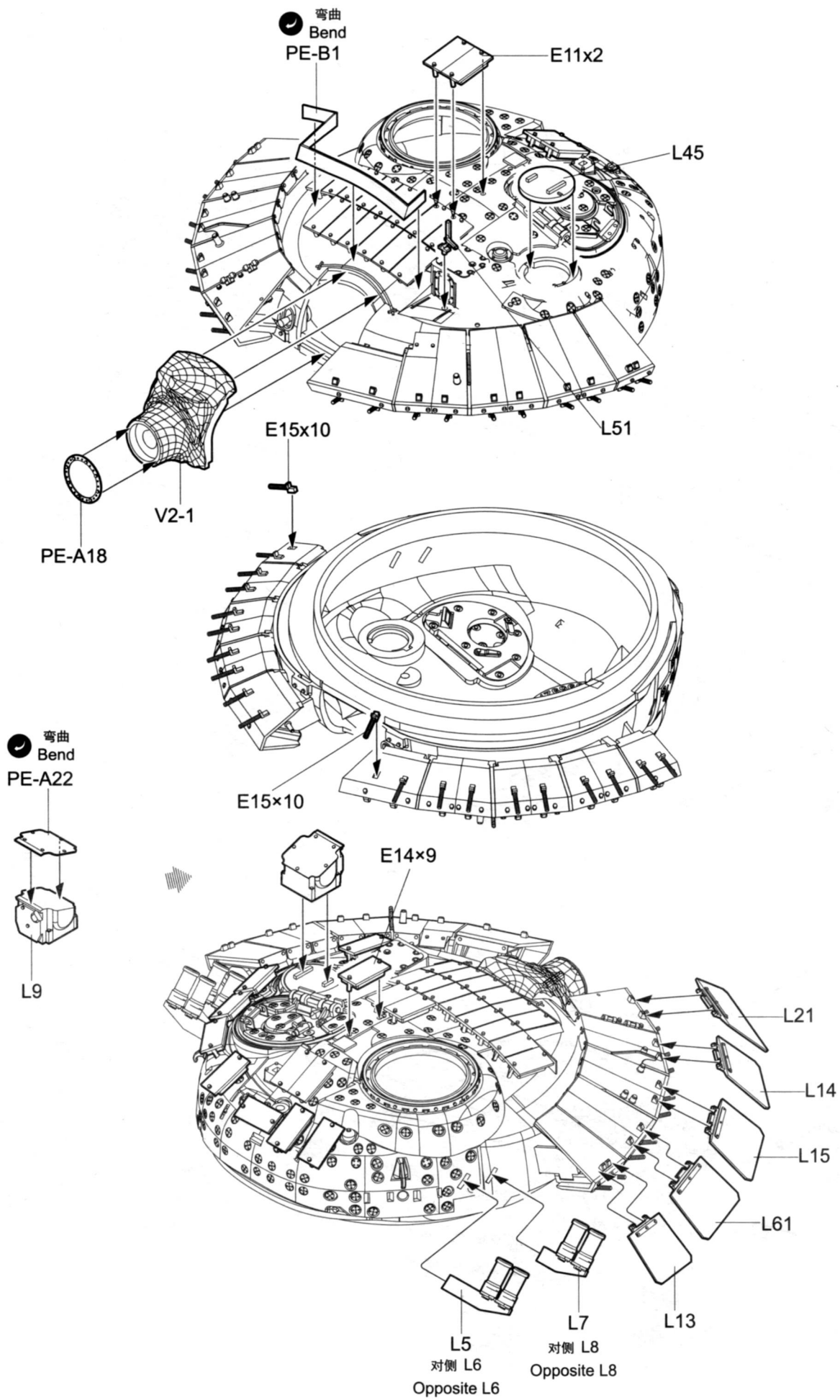
弯曲
Bend
PE-B3



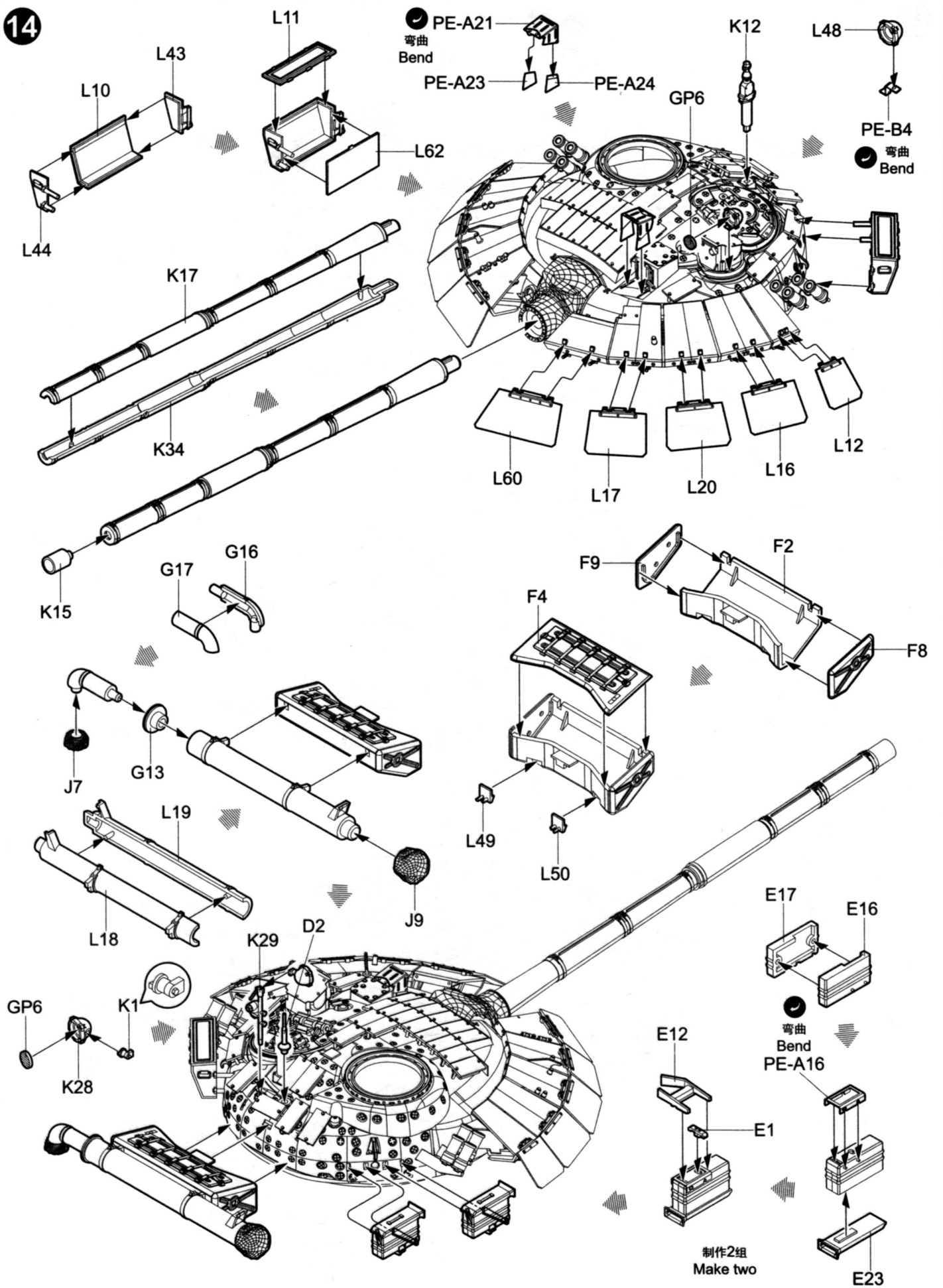
《铜缆》
Copper cable
对侧相同
Both sides

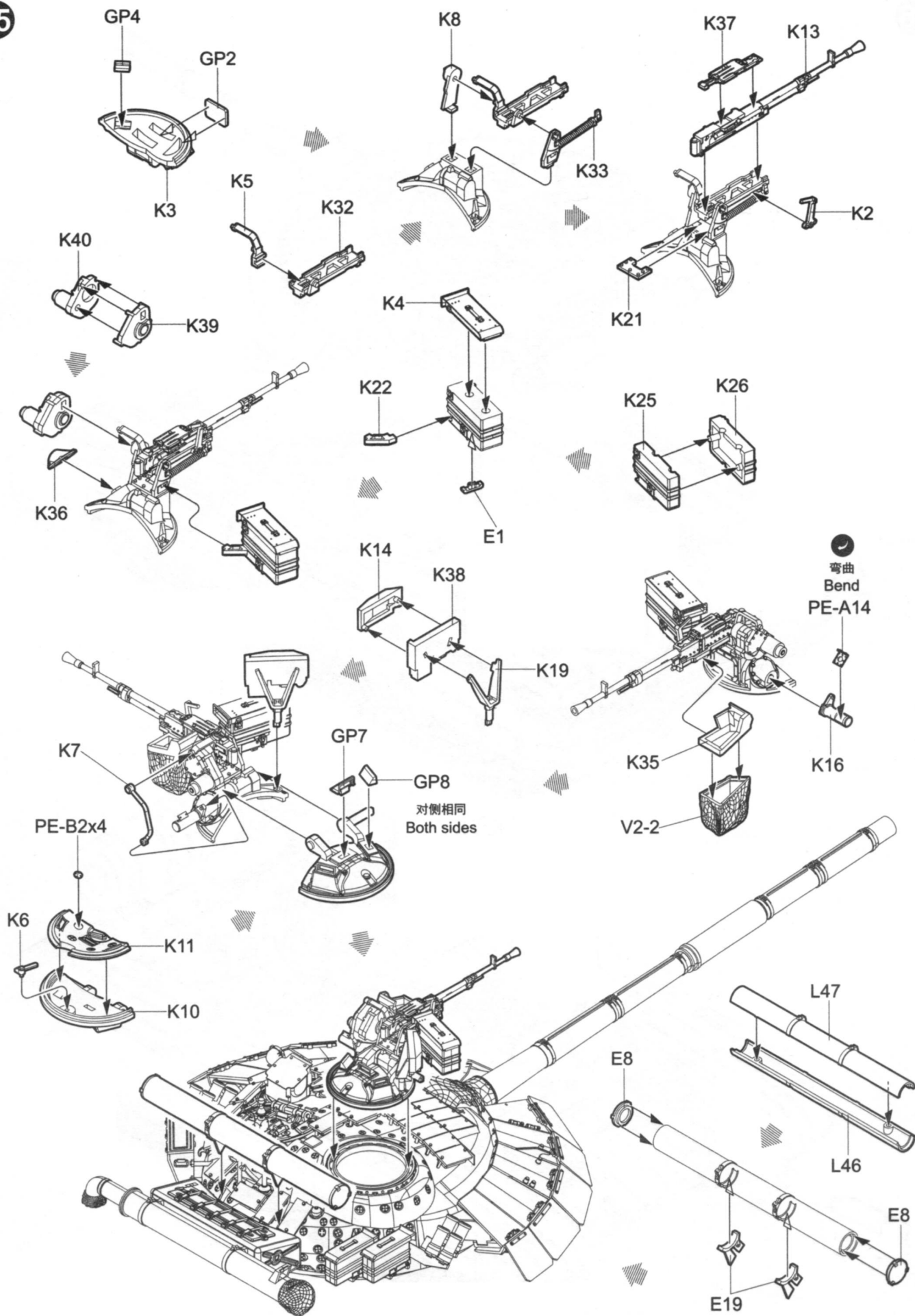






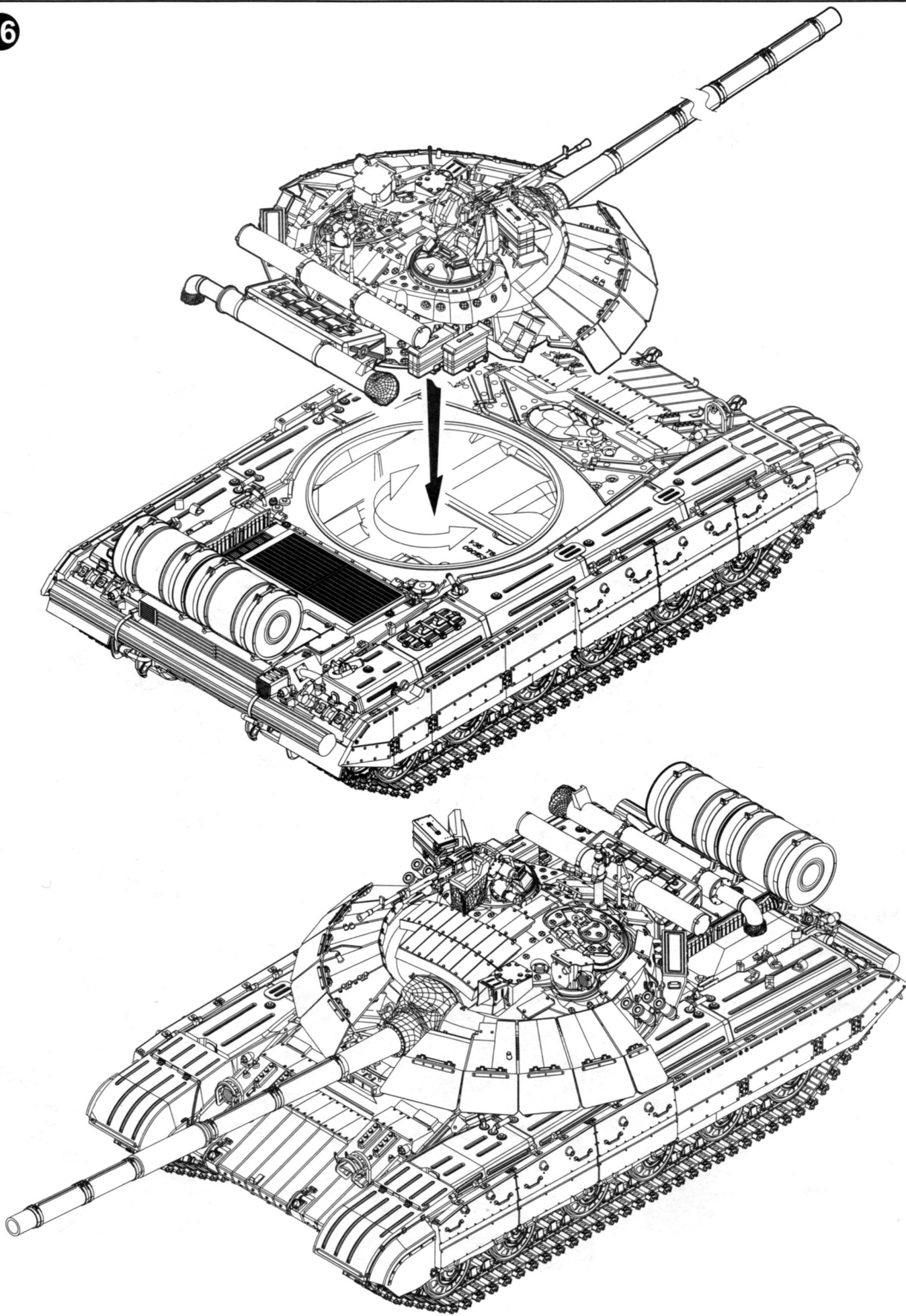
14





弯曲
Bend
PE-A14

对侧相同
Both sides

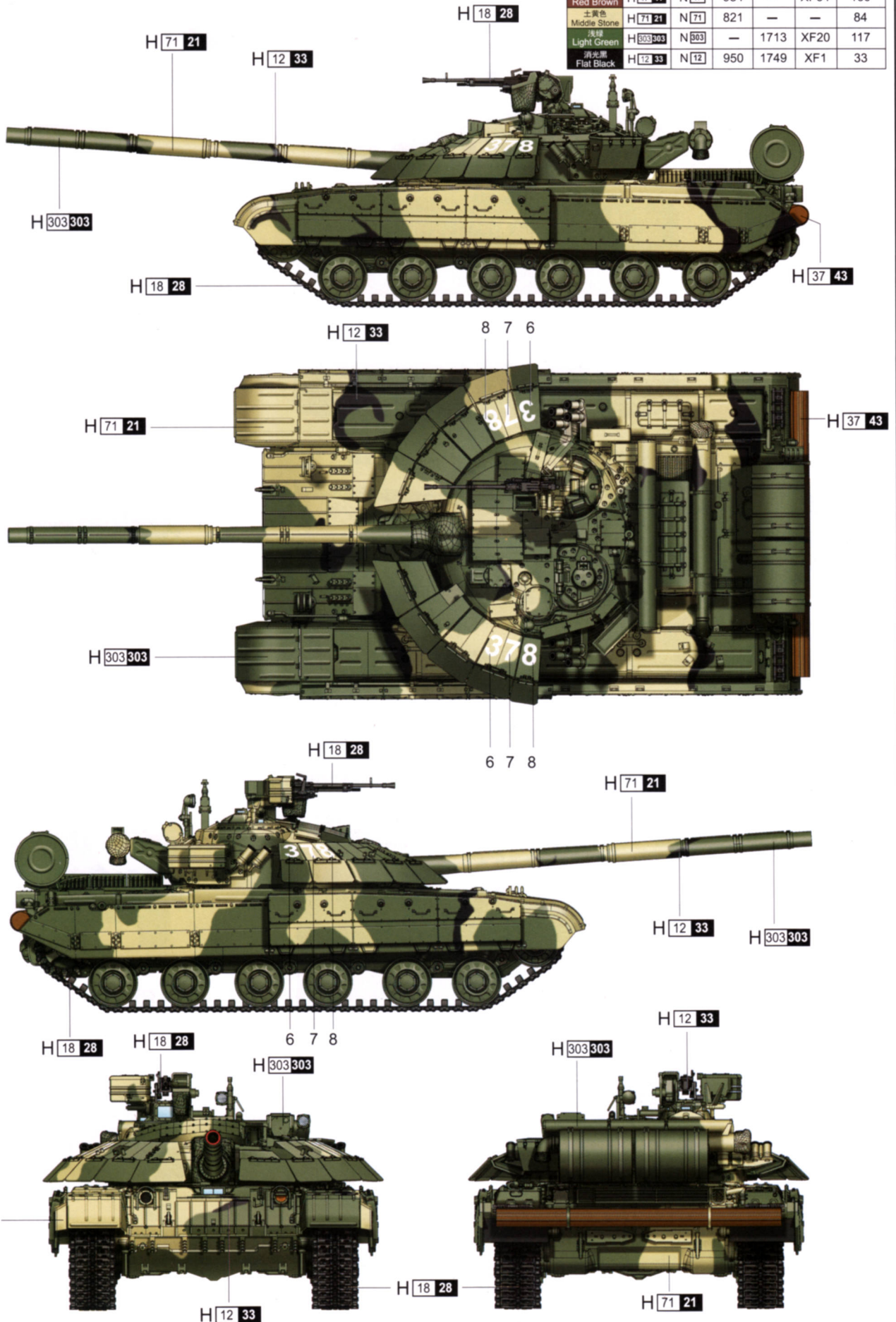


涂装同标贴指示 Painting & Marking guide

PAINT REFERENCE COLOR

Color	Mr.Hobby	Acrycion	Vallejo	Model Master	Tamiya	Humbrol
木棕色 Wood Brown	H 37 43	N 37	983	1701	—	186
黑铁色 Steel	H 18 28	N 18	864	1402	XF84	—
红棕色 Red Brown	H 47 41	N 47	984	—	XF64	160
土黄色 Middle Stone	H 71 21	N 71	821	—	—	84
浅绿 Light Green	H 303 303	N 303	—	1713	XF20	117
消光黑 Flat Black	H 12 33	N 12	950	1749	XF1	33

A



H [] AQUEOUS HOBBY COLOR

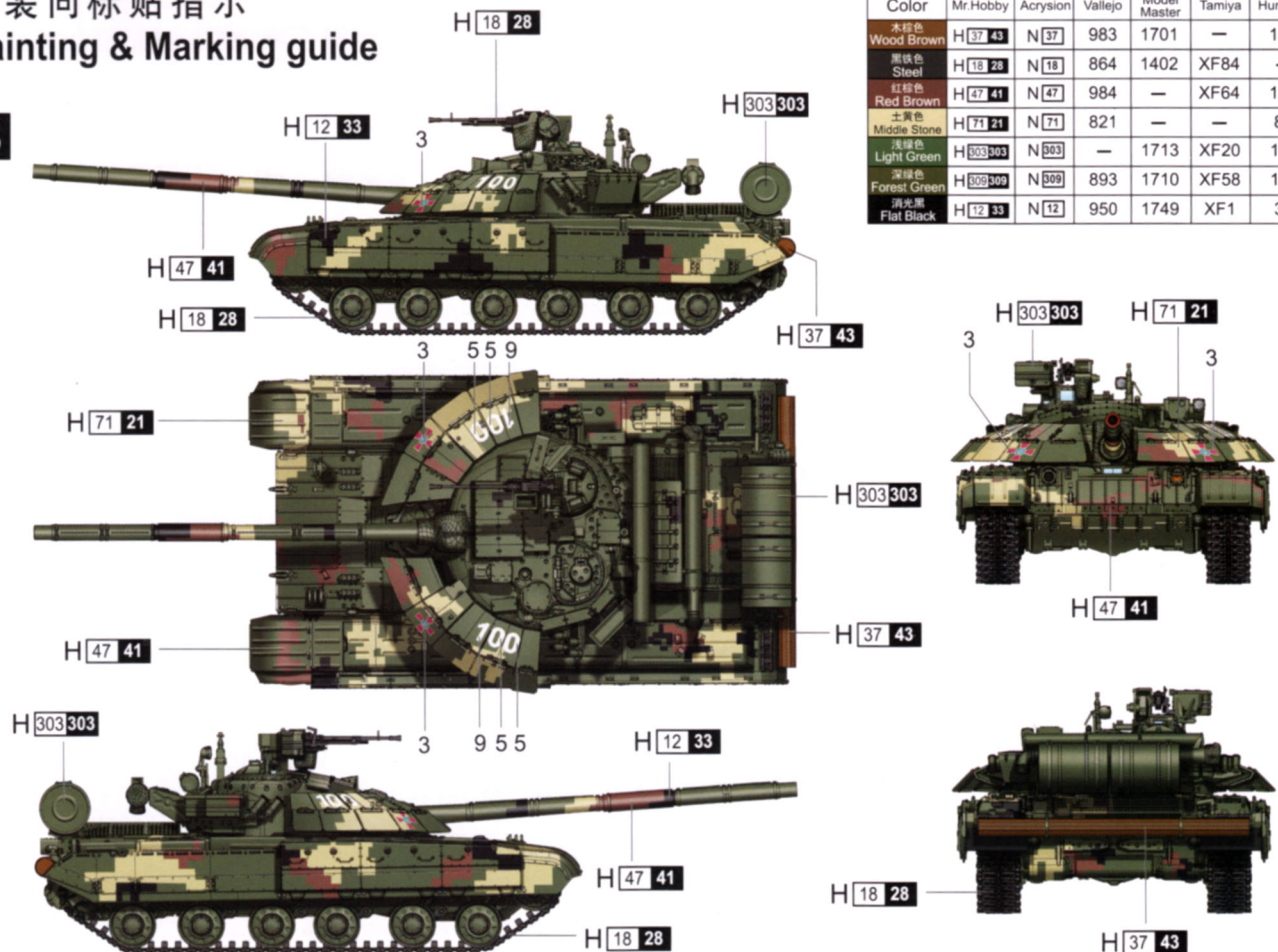
[] Mr. COLOR

N [] ACRYSION COLOR

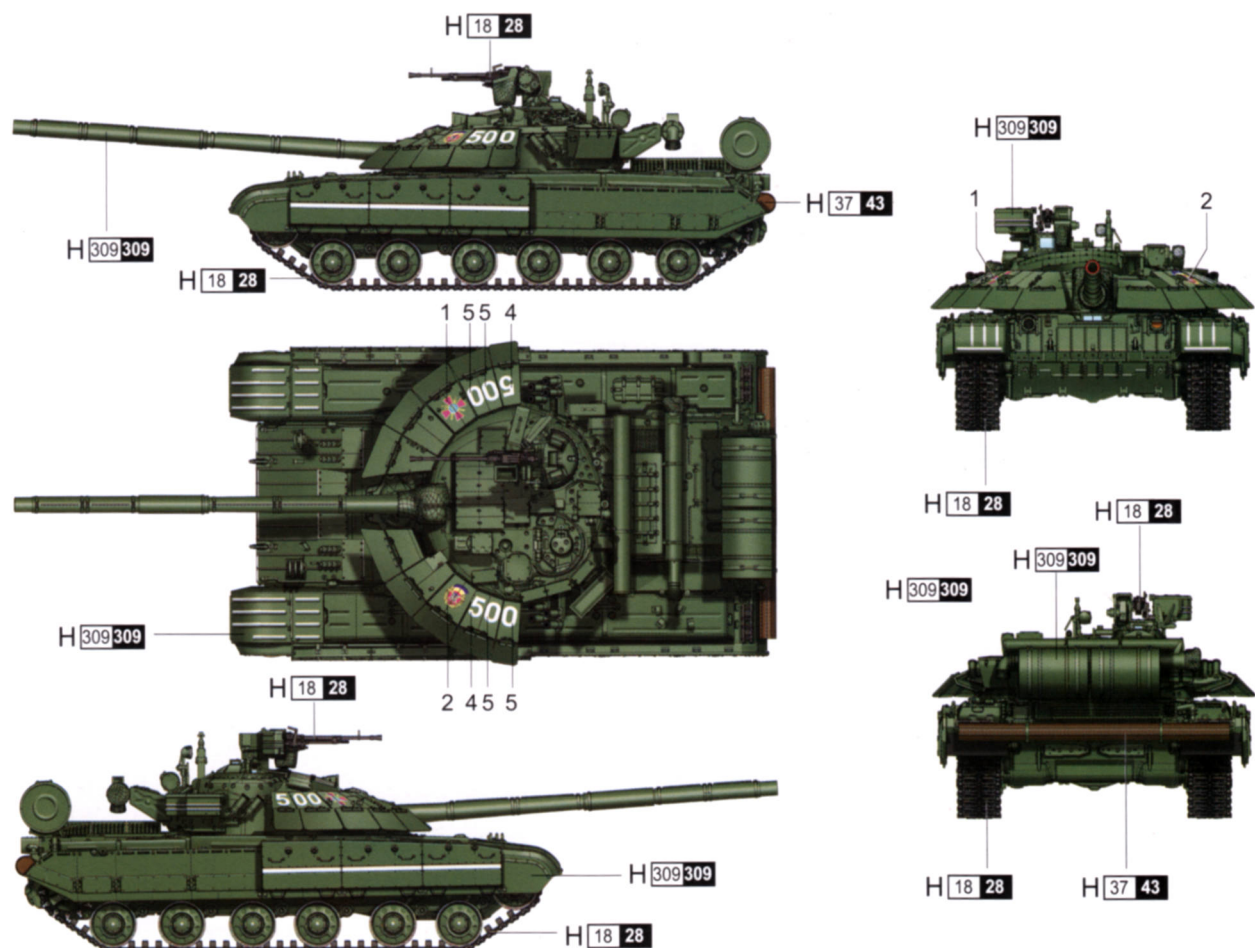
涂装同标贴指示 Painting & Marking guide

PAINT REFERENCE COLOR						
Color	Mr.Hobby	Acrycion	Vallejo	Model Master	Tamiya	Humbrol
木棕色 Wood Brown	H 37 43	N 37	983	1701	—	186
黑灰色 Steel	H 18 28	N 18	864	1402	XF84	—
红棕色 Red Brown	H 47 41	N 47	984	—	XF64	160
土黄色 Middle Stone	H 71 21	N 71	821	—	—	84
浅绿色 Light Green	H 303 303	N 303	—	1713	XF20	117
深绿色 Forest Green	H 309 309	N 309	893	1710	XF58	116
消光黑 Flat Black	H 12 33	N 12	950	1749	XF1	33

B



C



H [] AQUEOUS HOBBY COLOR

[] Mr. COLOR

N [] ACRYSION COLOR