

1/48th SCALE  
**THUNDERBIRD F-16  
 FIGHTING FALCON**



Seen by millions of spectators at air shows all over the world, the famed **Thunderbird Demonstration Squadron F-16C Fighting Falcons** just might be the best known fighter airplanes in the world.

The **F-16 Fighting Falcons of the Thunderbird Squadron** are regularly "off-the-shelf" production aircraft, that have been slightly modified for their special role. However, by re-installing the 20mm M-61 cannon and some avionics, a 24 hour job, these planes can be made combat ready.

Resulting from a 1972 Air Force request for a light-weight simple and inexpensive fighter, the **F-16** has evolved into a all weather fighter or bomber that can fulfill a multitude of roles as proven in the Gulf war. Because many components of the **F-16** are interchangeable with other aircraft in the USAF inventory, the **Fighting Falcon** is easy to maintain and service in comparison to other contemporary aircraft. Its F-100 engine is the same used in the F-15 Eagle, something handy to know in case an emergency engine change is required.

With a top speed of Mach 2.2 and an absolute ceiling of over 60,000 feet, the **F-16C** is normally armed with four air-to-air missiles and 500 rounds of ammunition for its 20mm cannon. In the bomber role, it can carry nearly 10,000 pounds of bombs and/or additional fuel in underwing tanks.

Well over a 1,300 **F-16 Flying Falcon** aircraft are on active duty in a wide number of countries. Long known as the General Dynamic F-16, the nomenclature was changed in 1993 to the **Lockheed F-16** when General Dynamics sold their F-16 division to Lockheed.

1695



Cement Parts  
 Coller  
 Kleben  
 Pegar  
 Incollare  
 Colar  
 Kleven



DO NOT cement  
 Ne pas coller  
 Nicht kleben  
 No pegar  
 Non incollare  
 Nao colar  
 Niet kleven



Cut away  
 Couper  
 Scheiden  
 Cortar  
 Tagliare  
 Cortar  
 Snijden



Optional parts  
 Choix  
 Auswahlmöglichkeit  
 Eleccion  
 Scelta  
 Opcao  
 Keuze

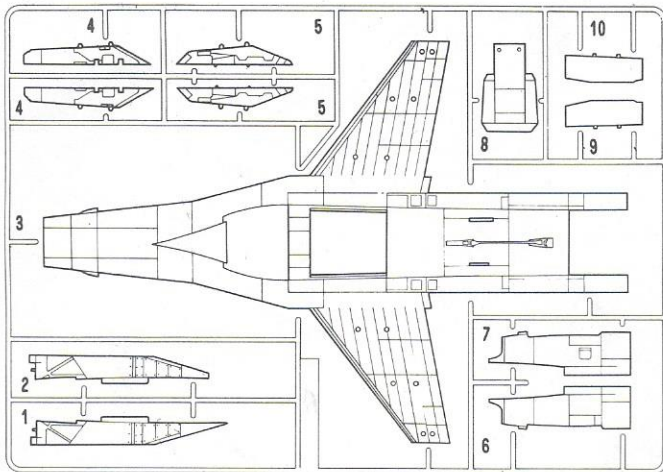
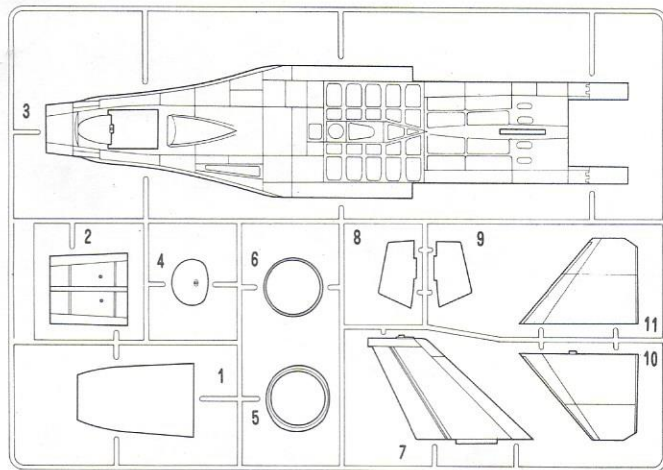
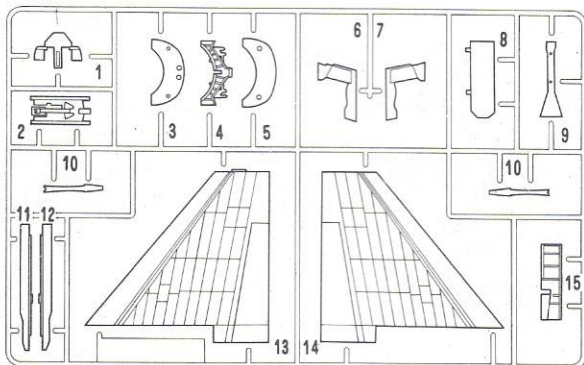
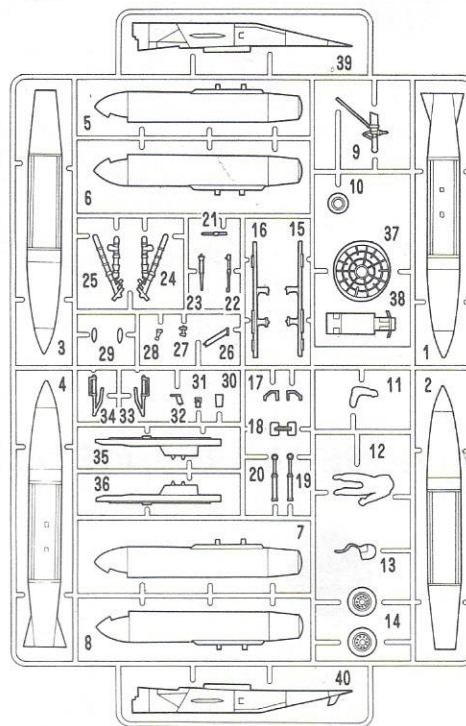
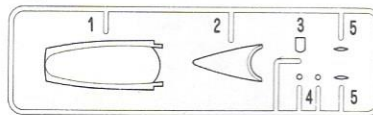


3

Repeat operation  
 Répéter l'opération  
 Vorgang wiederholen  
 Repetir la operación  
 Ripetere  
 Repetir a operação  
 Herhalen

**ACADEMY  
 MINICRAFT**



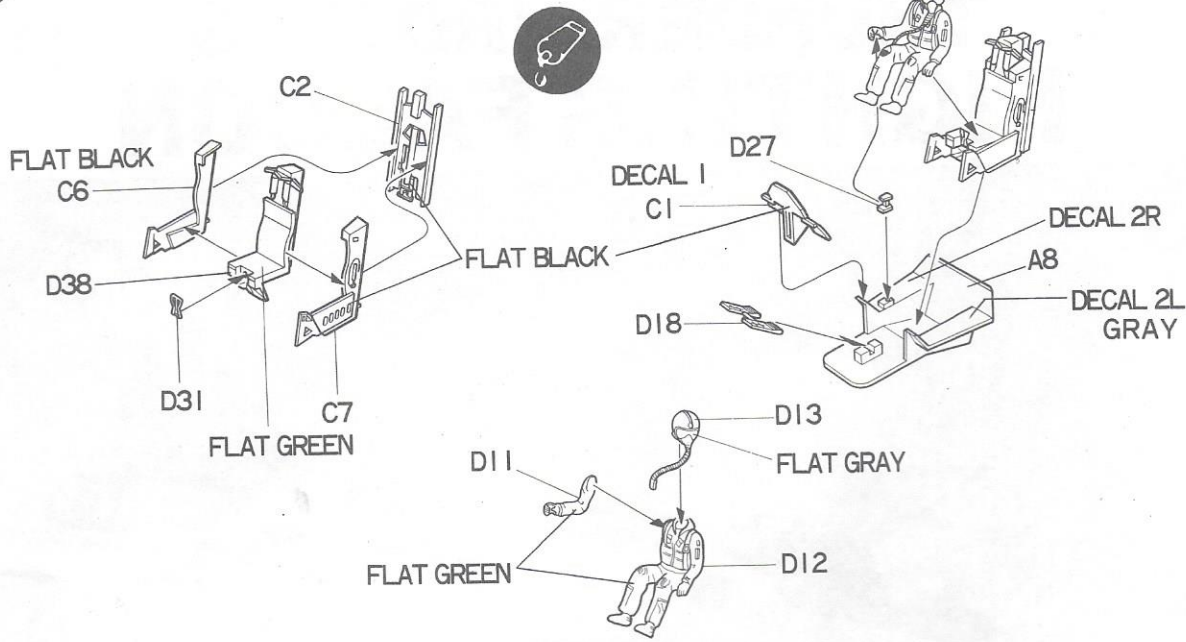
**A****B****C****D****F**

TO RECEIVE A COPY OF THE NEWEST FULL  
 COLOR MINICRAFT/ACADEMY CATALOG,  
 SEND US \$5.00 (U.S.A. ONLY) OR US \$6.00  
 (FOREIGN) TO MINICRAFT MODELS, INC.  
 P.O. BOX 3577, TORRANCE, CALIF 90510

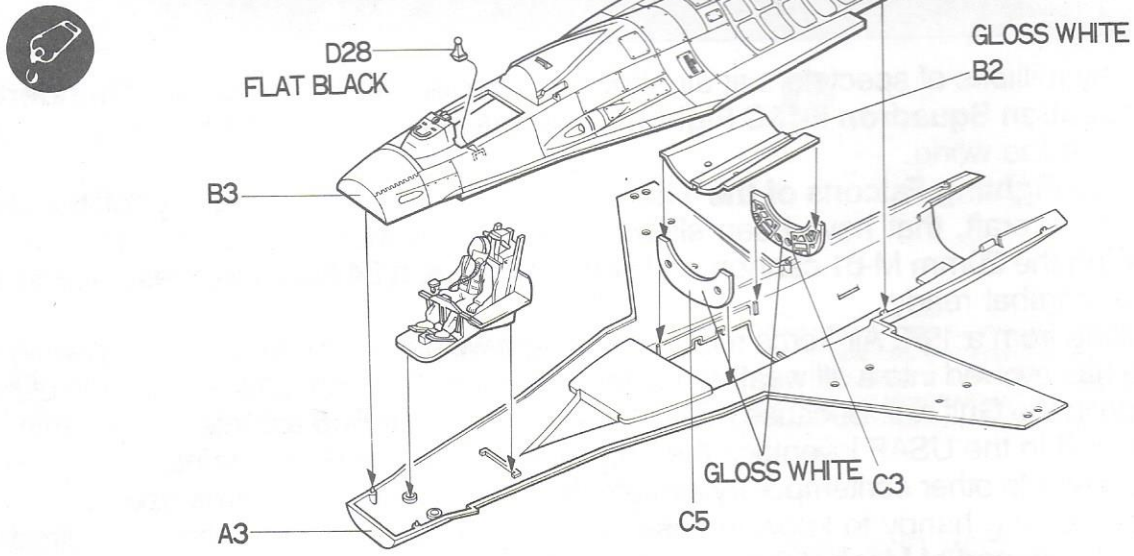
MINICRAFT MODELS, INC.  
 P.O. BOX 3577  
 TORRANCE, CA 90510

**ACADEMY**  
**MINICRAFT**

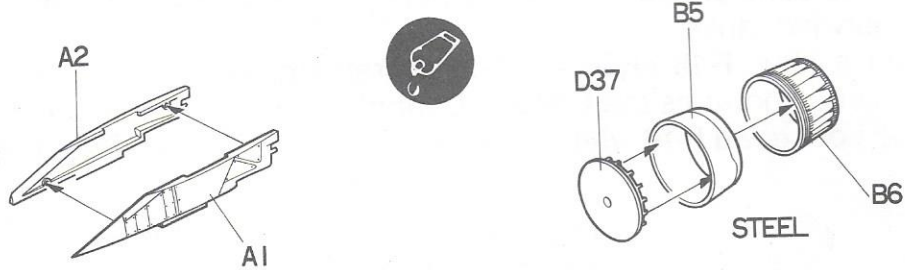
# 1 COCKPIT ASSEMBLY



# 2 FUSELAGE ASSEMBLY

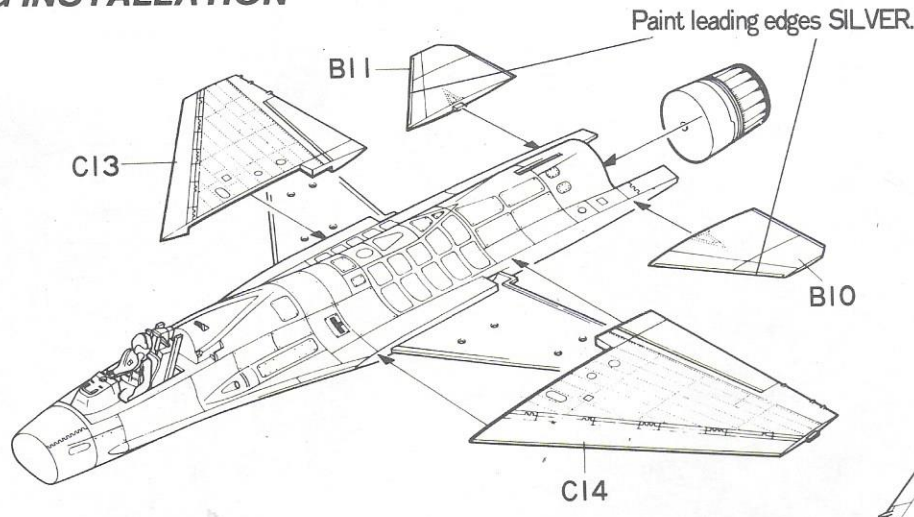


# 3 DORSAL FIN AND ENGINE ASSEMBLY

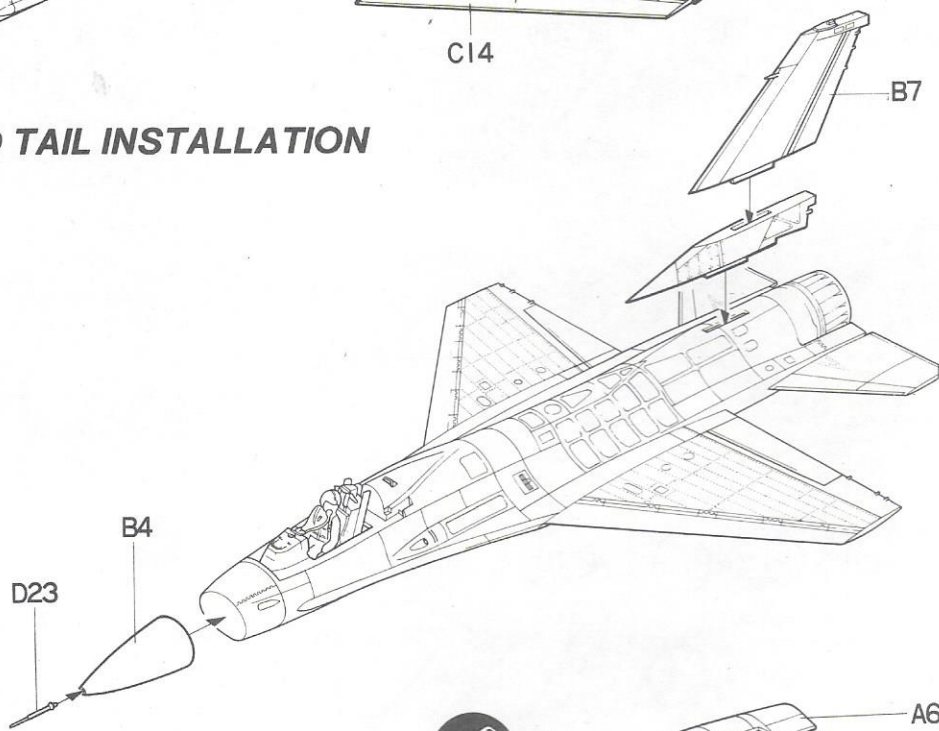




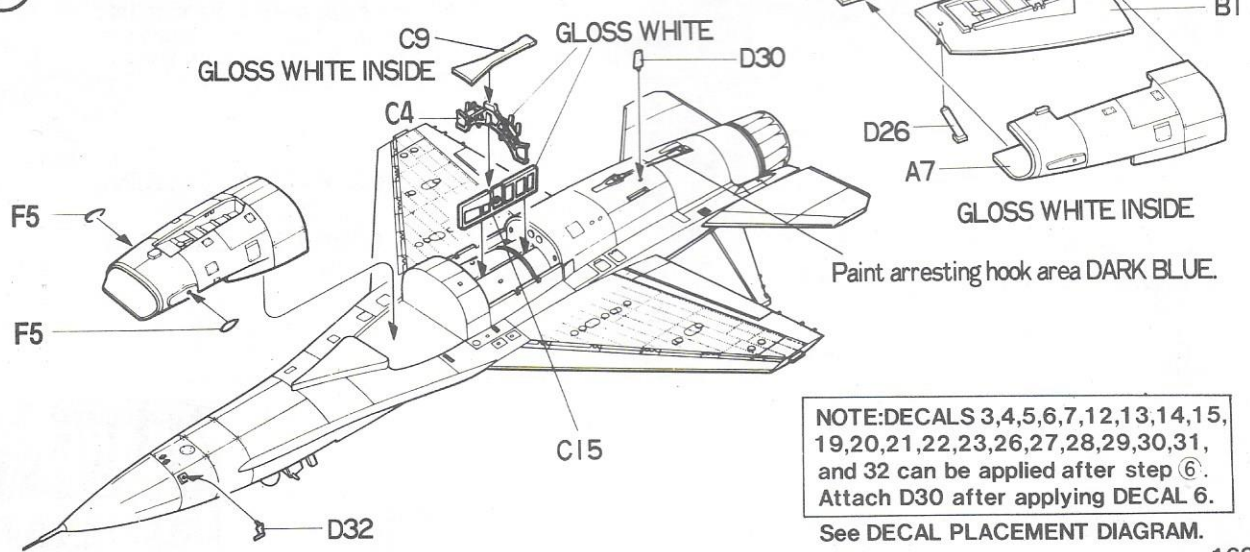
## 4 WING INSTALLATION



## 5 NOSE AND TAIL INSTALLATION



## 6 INTAKE ASSEMBLY



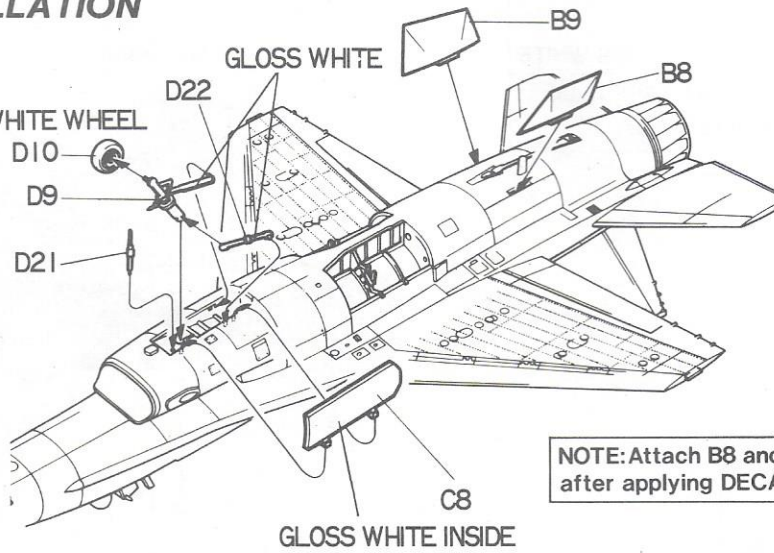
NOTE: DECALS 3,4,5,6,7,12,13,14,15, 19,20,21,22,23,26,27,28,29,30,31, and 32 can be applied after step 6. Attach D30 after applying DECAL 6. See DECAL PLACEMENT DIAGRAM.

## 7 NOSE GEAR INSTALLATION

FLAT BLACK TIRE/ GLOSS WHITE WHEEL

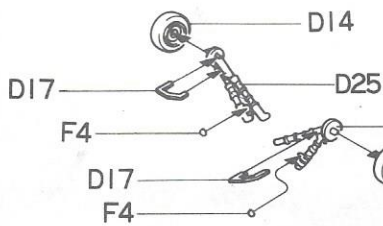


NOTE:DECAL 8,9,10,11 and 16 can be applied before attaching parts B8,B9,and C8.



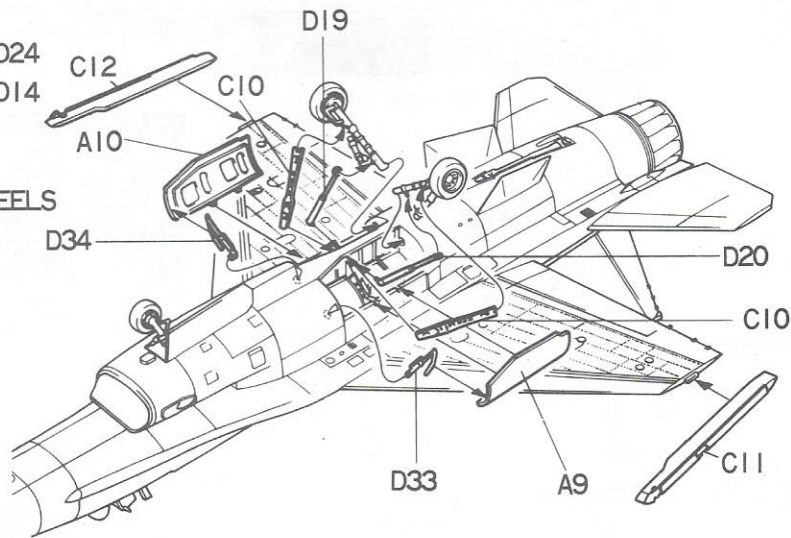
NOTE:Attach B8 and B9 after applying DECAL 6.

## 8 MAIN GEAR INSTALLATION

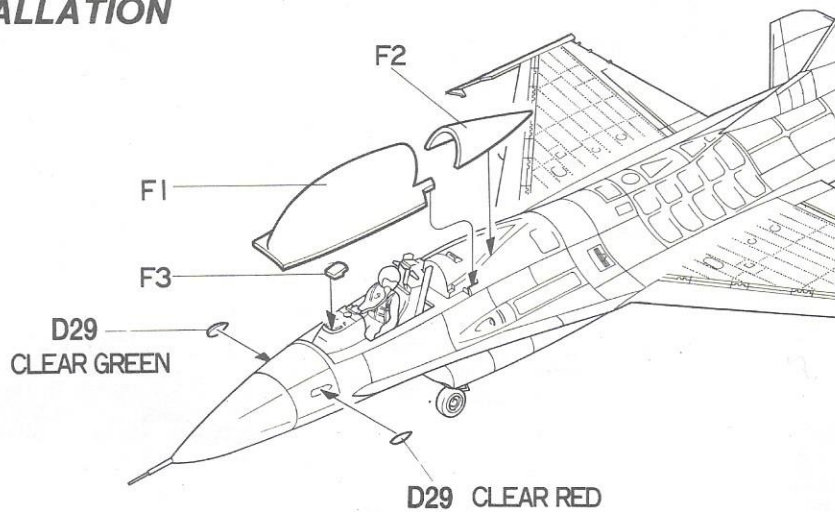


FLAT BLACK TIRES/ GLOSS WHITE WHEELS

NOTE:DECALS 17 and 18 can be applied before attaching parts A9 and A10.



## 9 CANOPY INSTALLATION

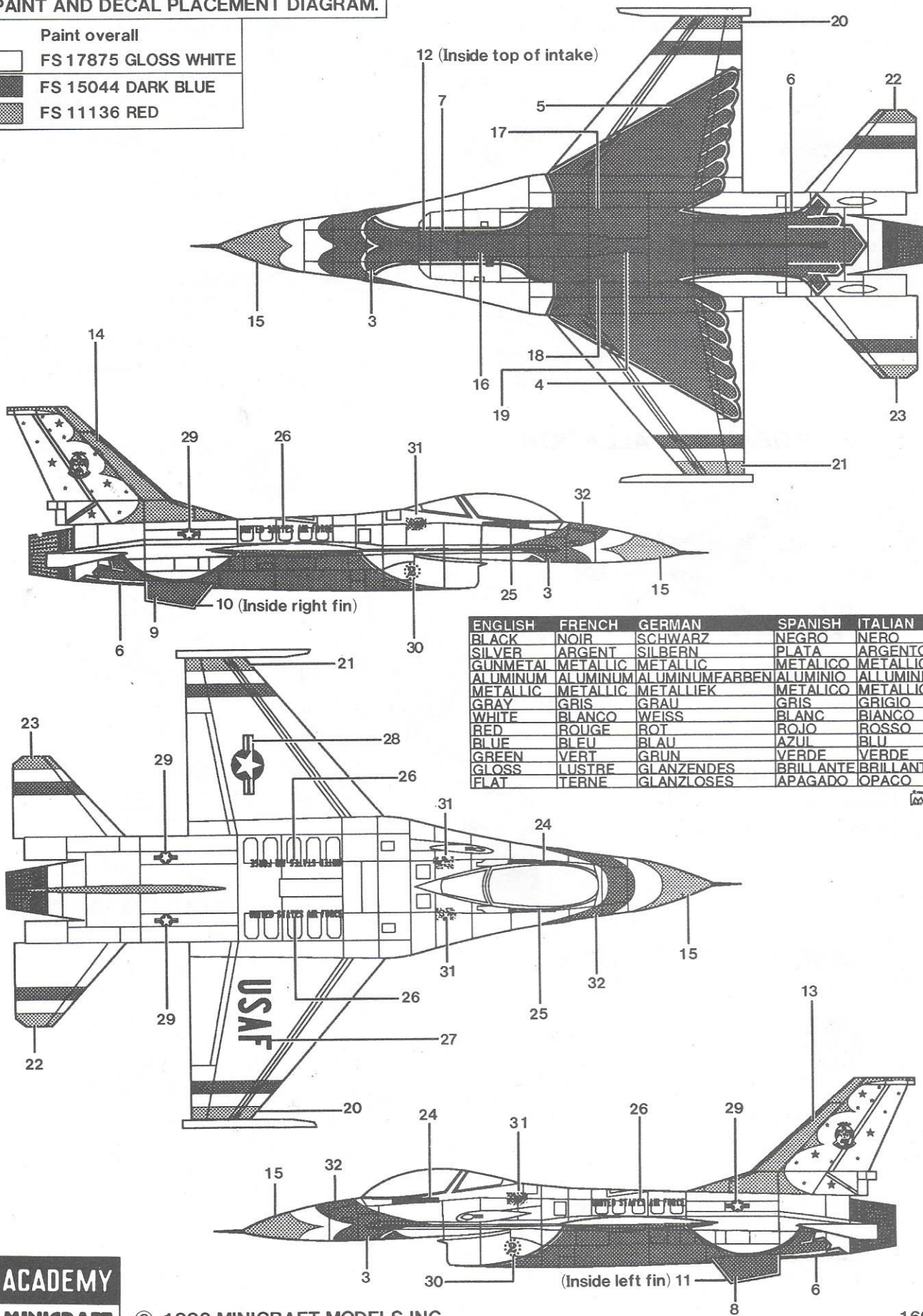




**PAINT AND DECAL PLACEMENT DIAGRAM.**

Paint overall

- FS 17875 GLOSS WHITE
- FS 15044 DARK BLUE
- FS 11136 RED



ENGLISH	FRENCH	GERMAN	SPANISH	ITALIAN
BLACK	NOIR	SCHWARZ	NEGRO	NERO
SILVER	ARGENT	SILBERN	PLATA	ARGENTO
GUNMETAL	METALLIC	METALLIC	METALICO	METALLICO
ALUMINUM	ALUMINIUM	ALUMINIUMFARBEN	ALUMINIO	ALLUMINIO
METALLIC	METALLIC	METALLIEK	METALICO	METALLICO
GRAY	GRIS	GRAU	GRIS	GRIGIO
WHITE	BLANCO	WEISS	BLANC	BIANCO
RED	ROUGE	ROT	ROJO	ROSSO
BLUE	BLEU	BLAU	AZUL	BLU
GREEN	VERT	GRUN	VERDE	VERDE
GLOSS	LUSTRE	GLANZENDES	BRILLANTE	BRILLANTE
FLAT	TERNE	GLANZLOSES	APAGADO	OPACO

Academy  
1/247

**ACADEMY  
MINICRAFT**

© 1993 MINICRAFT MODELS INC.

1695