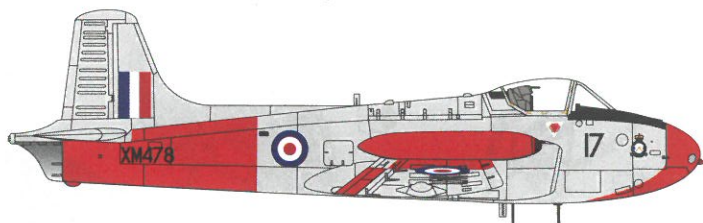
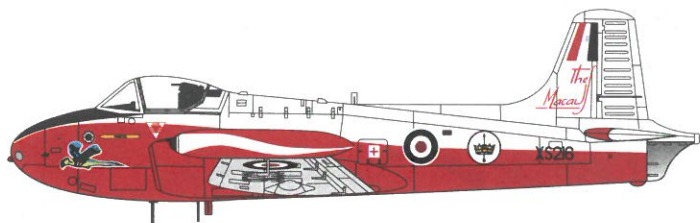
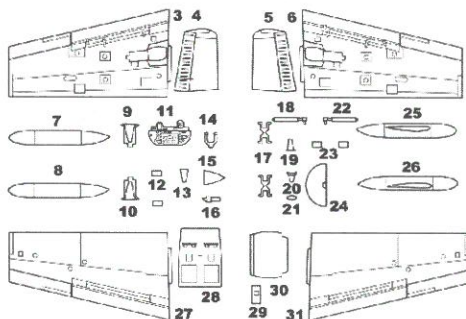
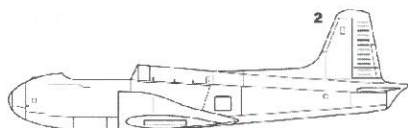
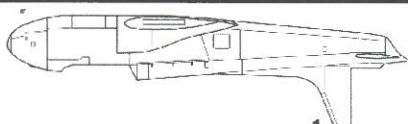


Fly

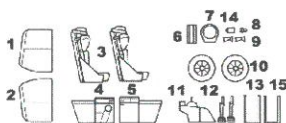
Jet Provost T.3/T.3A/T.4



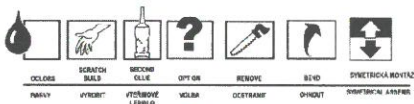
1/48



POLYURETHAN PARTS (PUR)

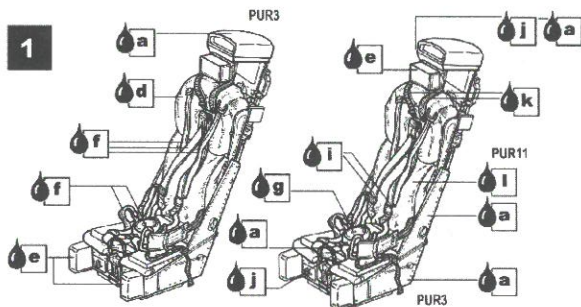


CLEAR PARTS (CP)

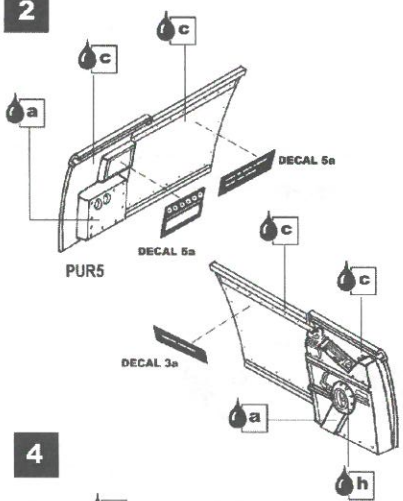


COLOURS

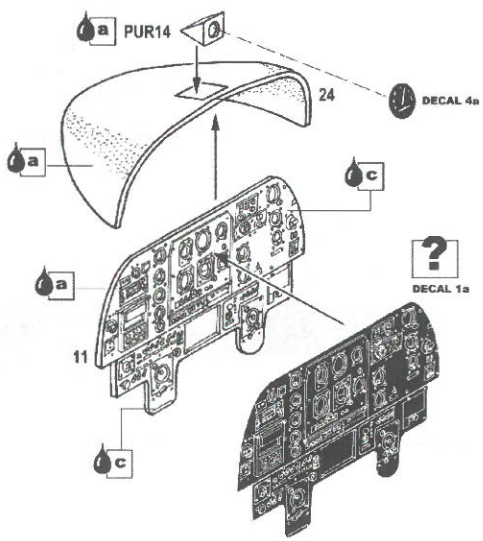
- a) Černá/Black
- b) Kovová/Gun metal
- c) Interiérová/černá/
Interior Black
- d) Písková/Sand
- e) Kůže/Leather
- f) Světlé plátno/Light linen
- g) Chromová/Chrome
- h) Stříbrná/Silver
- i) Modrá/Blue
- j) Žlutá/Yellow
- k) Bílá/White
- l) Barva pneu/
Tyre Black



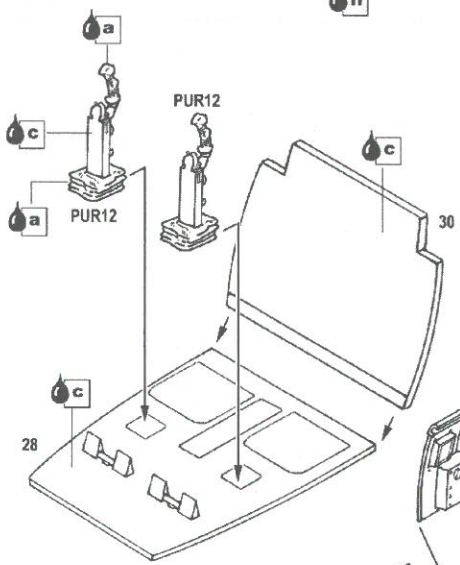
2



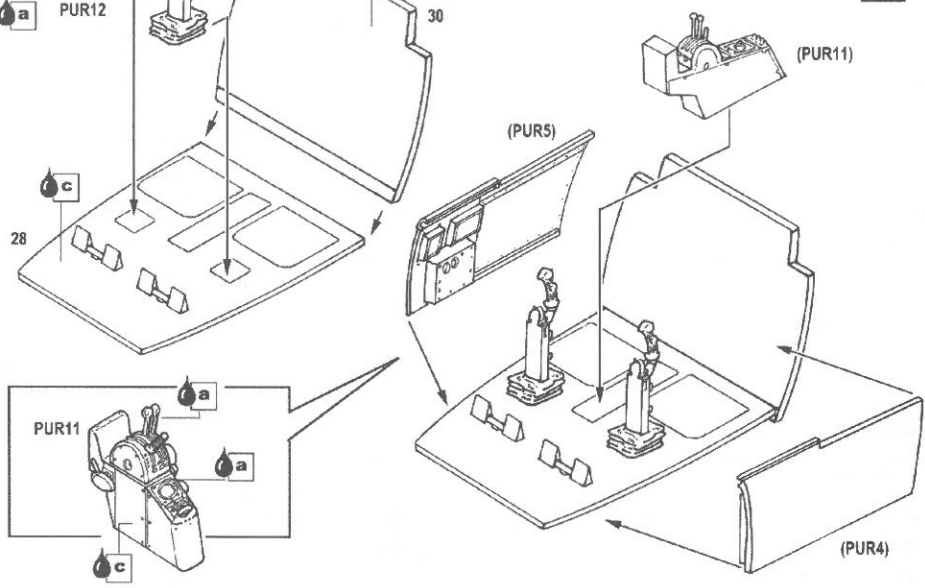
3

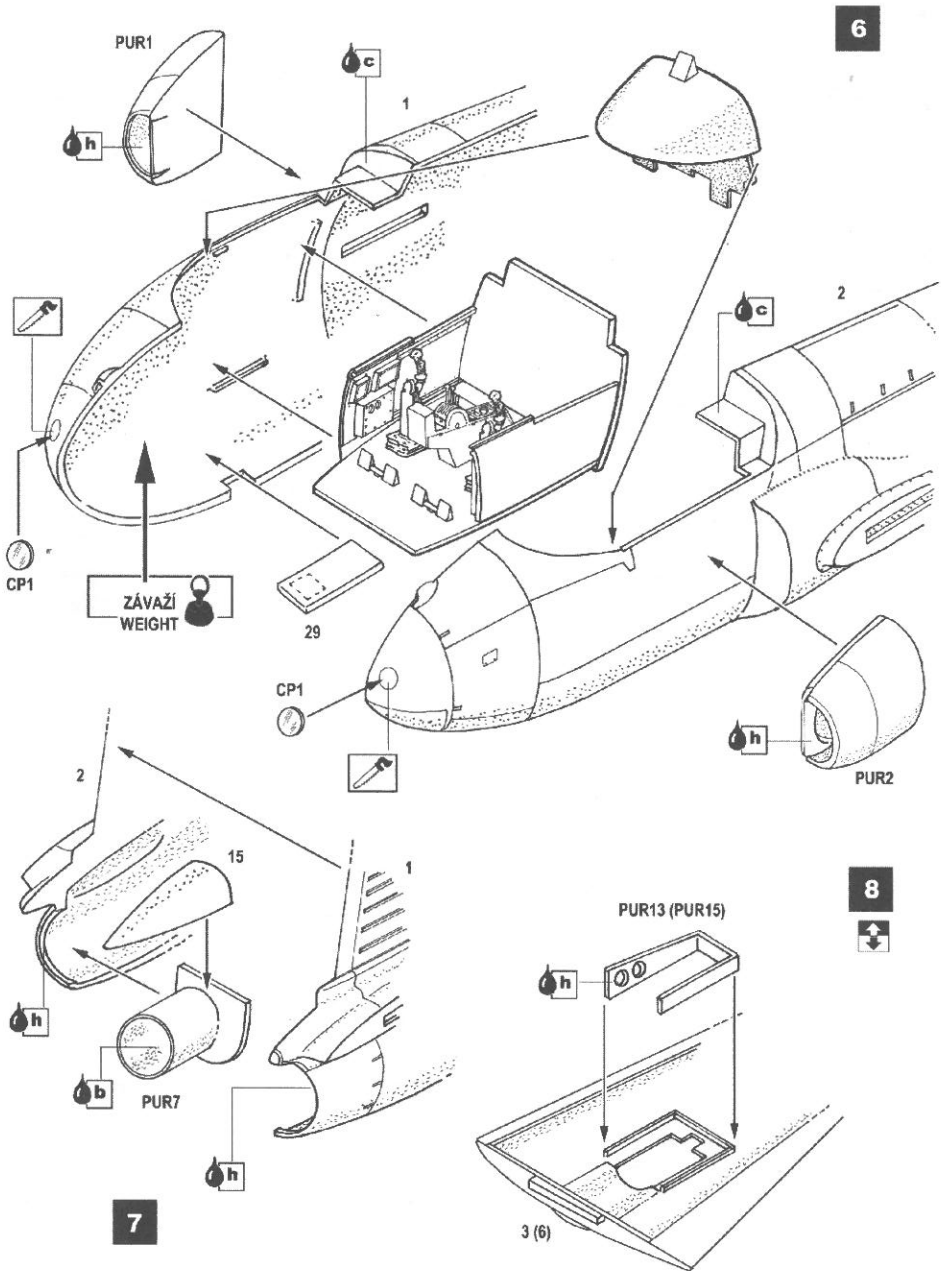


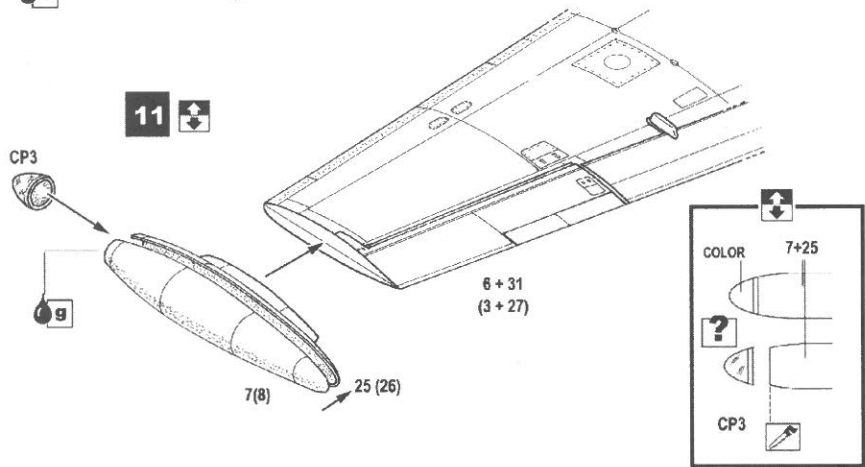
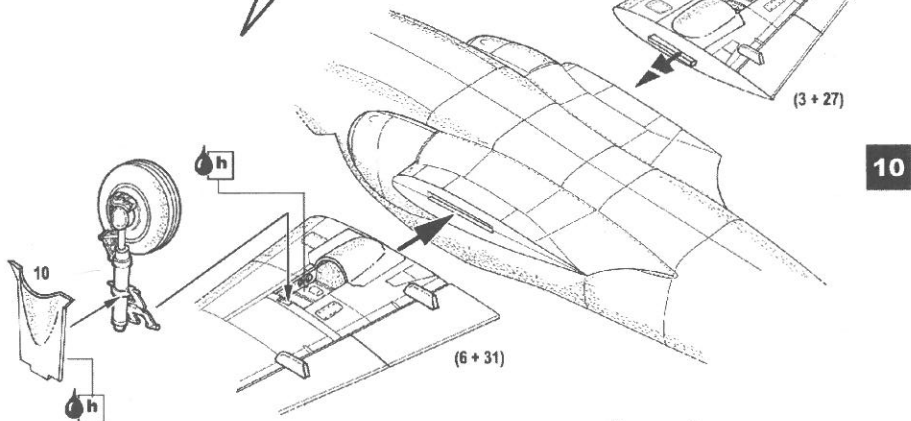
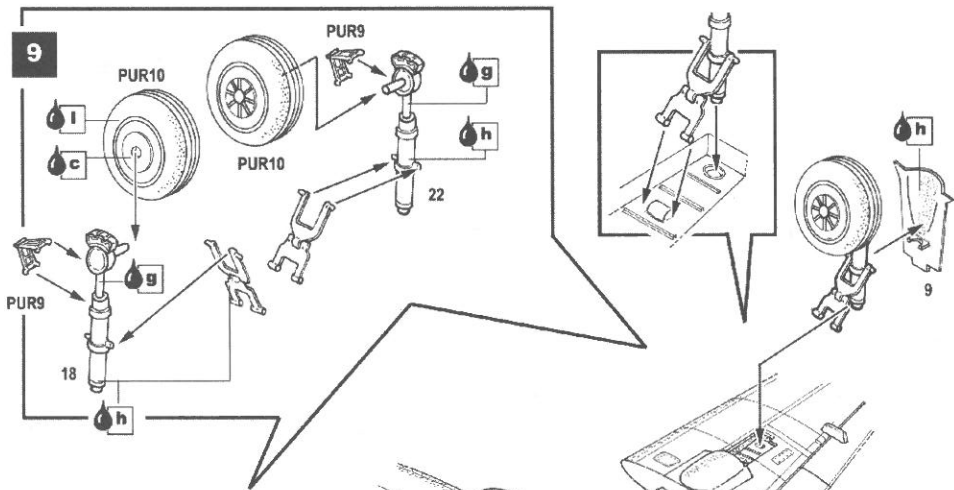
4

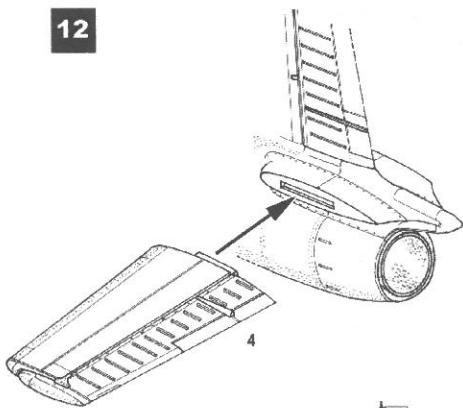
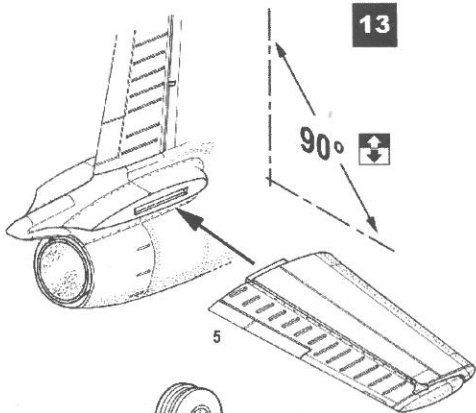
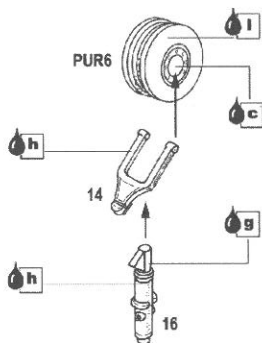
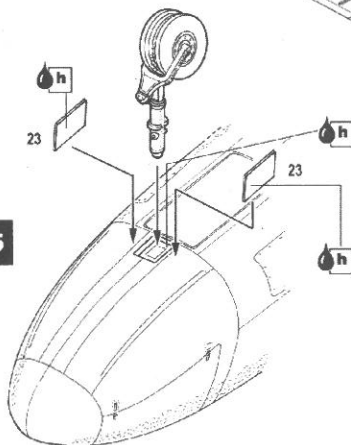
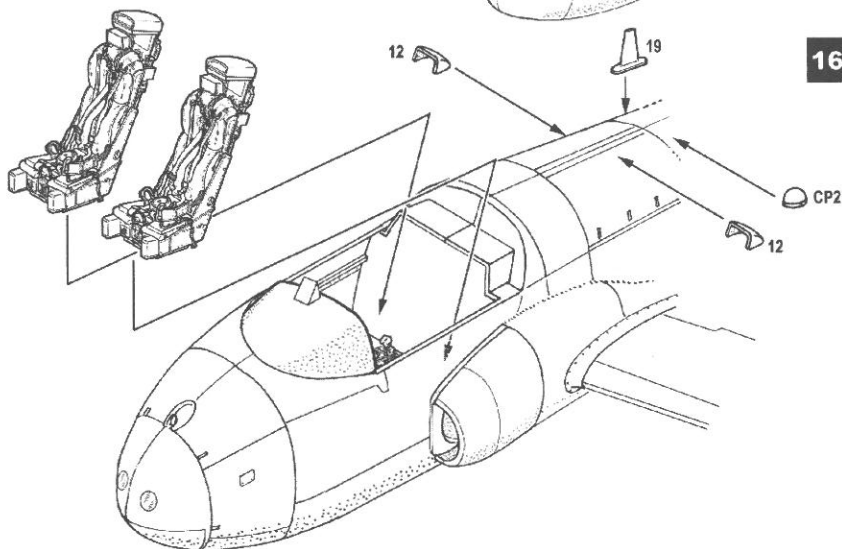


5





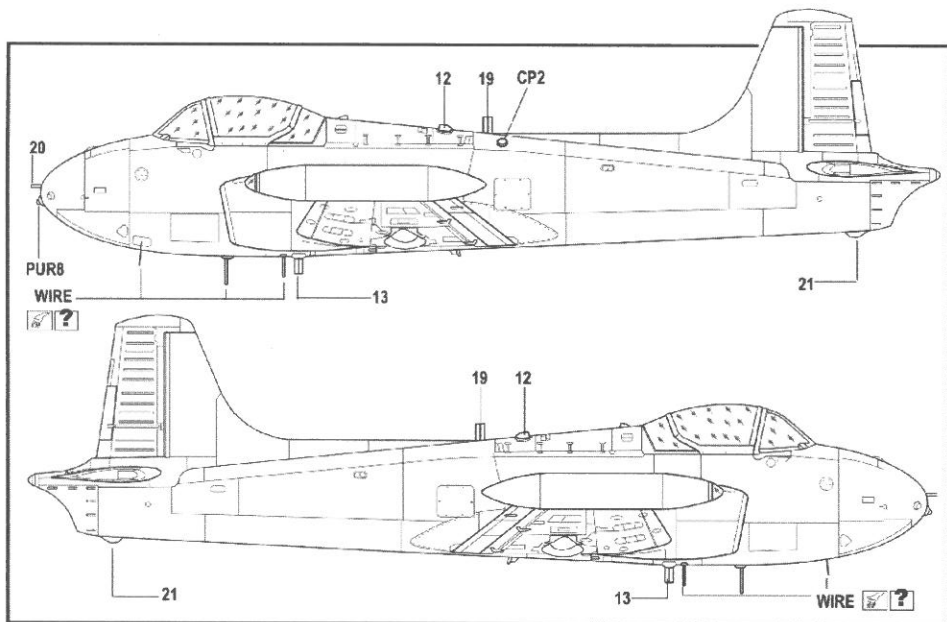
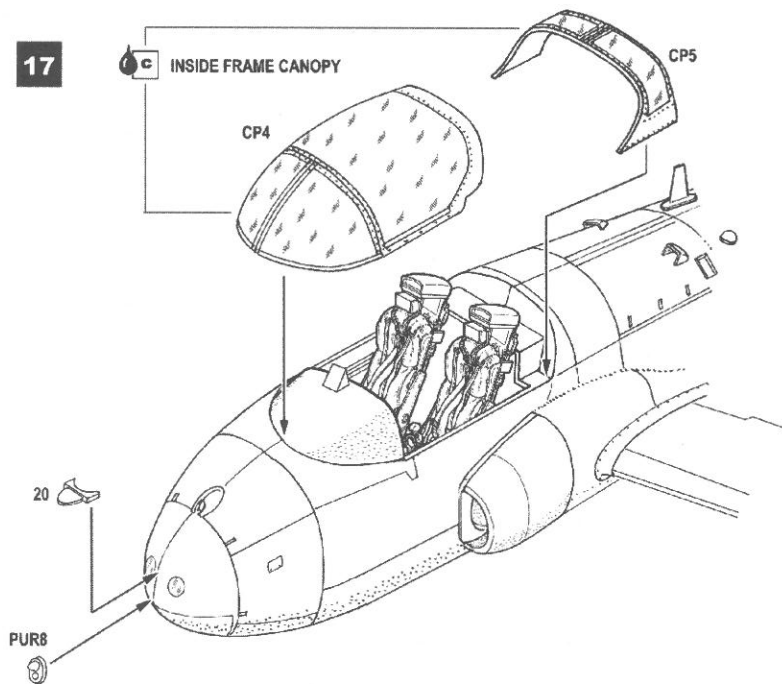


12**13****14****15****16**

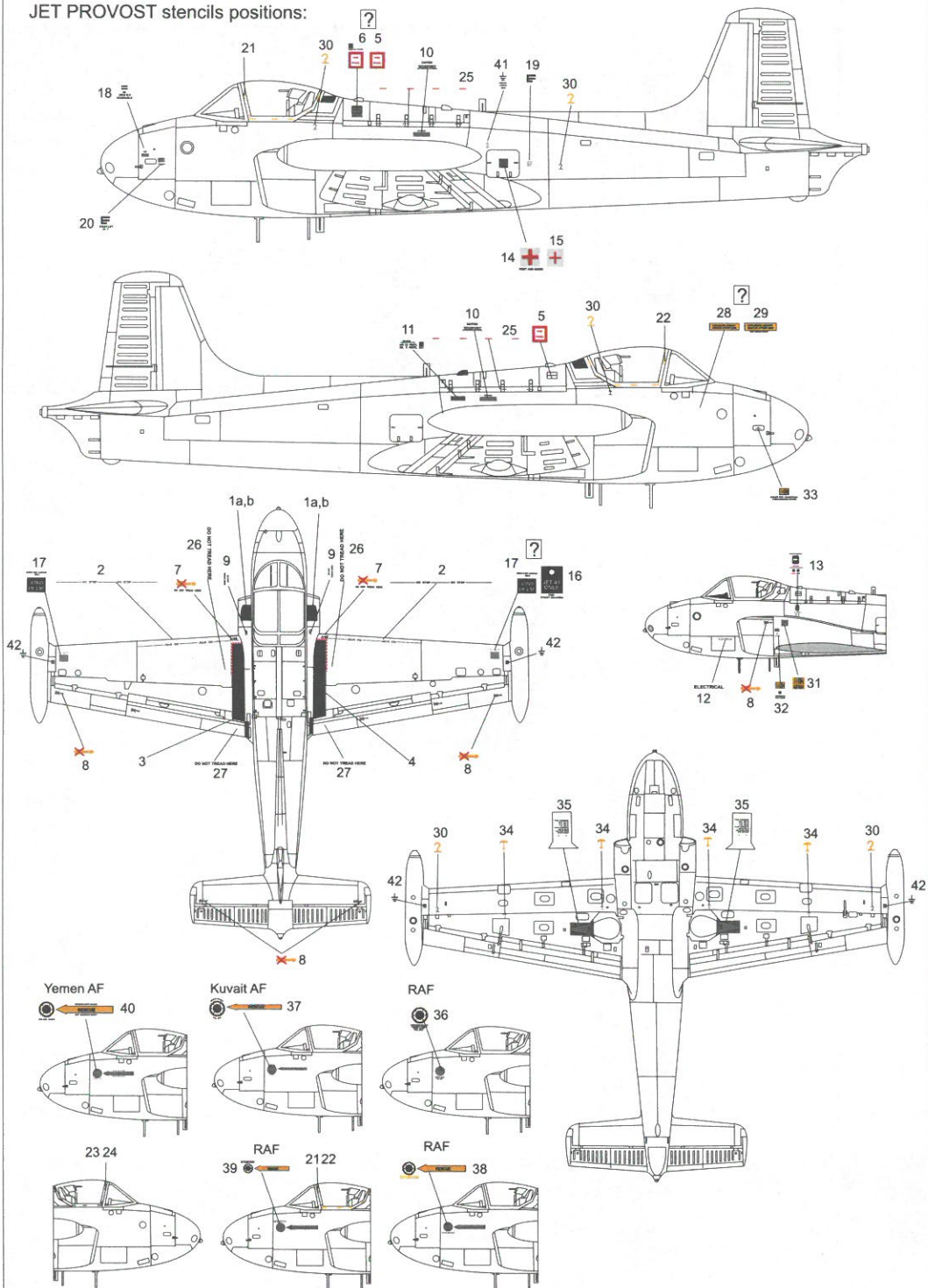
17



INSIDE FRAME CANOPY



JET PROVOST stencils positions:



FLY



Plastic model kit
Plastik-Modellsatz
Plastikový model

WWW.FLY814.CZ

NEWS AUTUMN 2014



48017

1/48

Jet Provost T.3/T.3A



48019

1/48

Jet Provost T.4



48016

1/48

*RAF 167 Strickmaster,
Jet Provost T.57.5A*



32003

1/32

Arado 234 B-2



32008

1/32

Arado 2 B/B2N



1/32

32010

*Westland Wessex HC.2
RAF Troop Carrier Helicopter*

foto: Peter Foster



72005

1/72

Whitley Mk III



32007

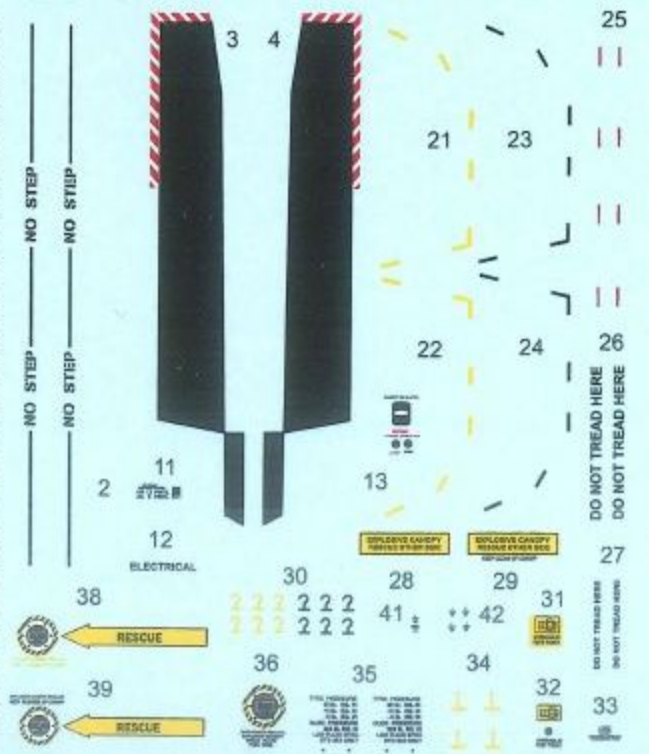
1/32

Focke Achgelis Fa 330



printed by BOAAGENCY, Czech Republic

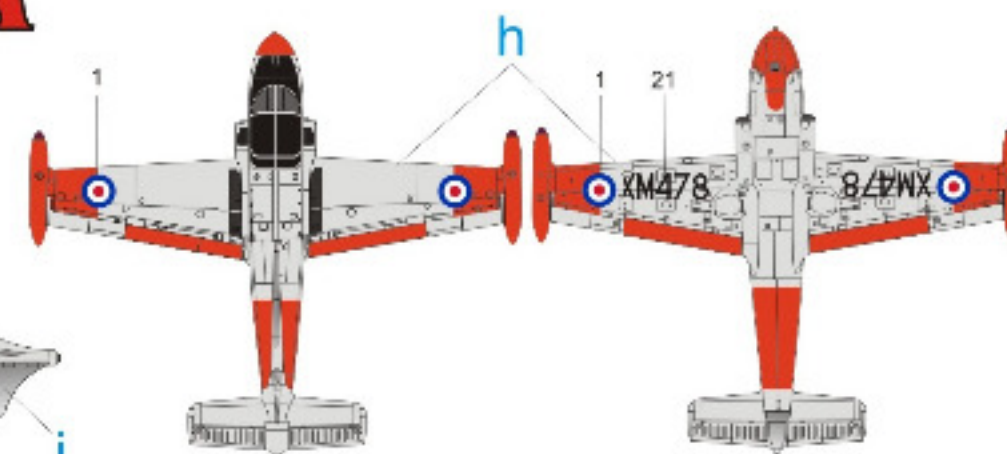
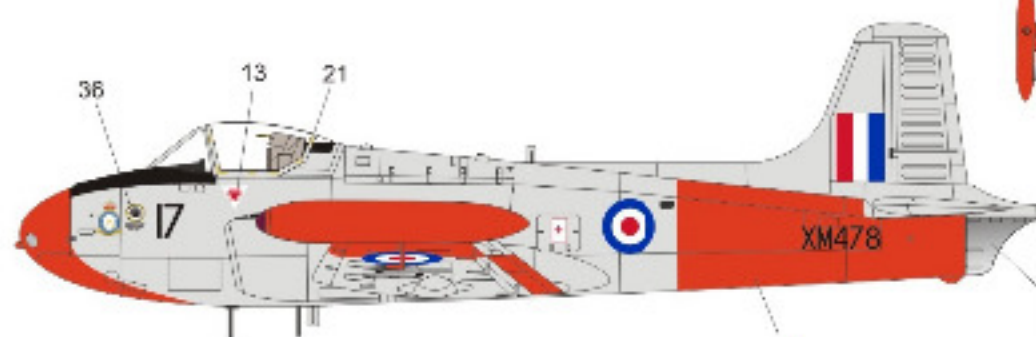
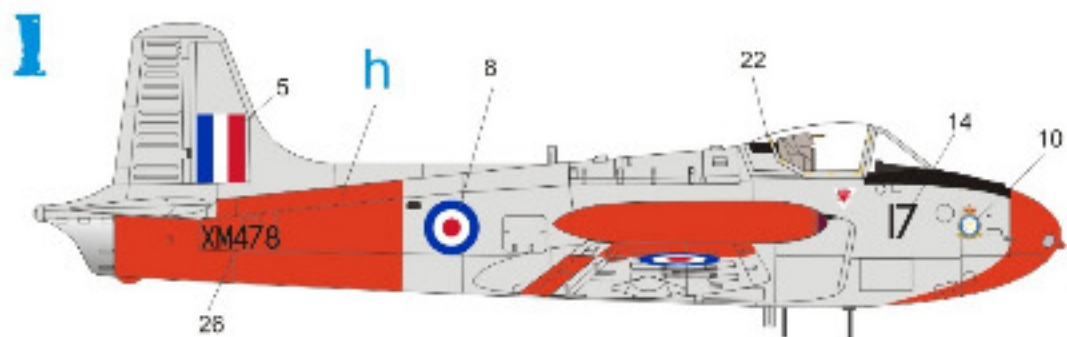
stencils



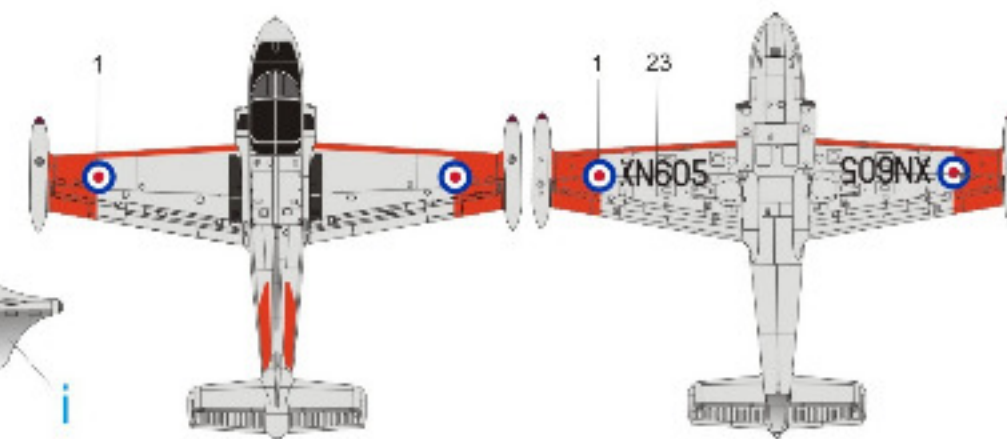
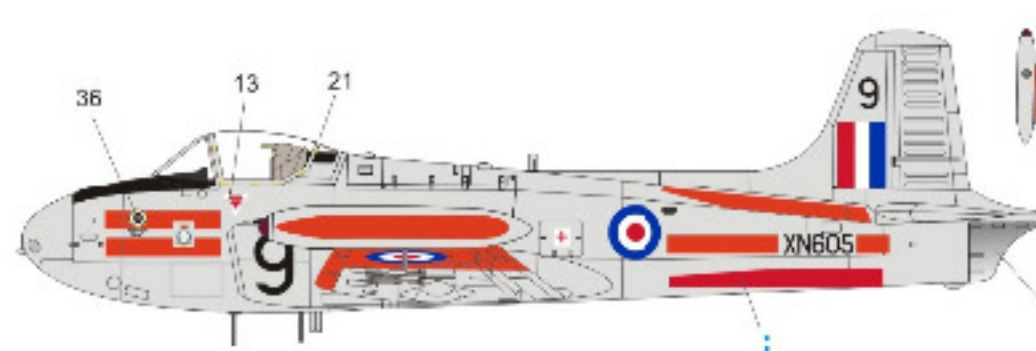
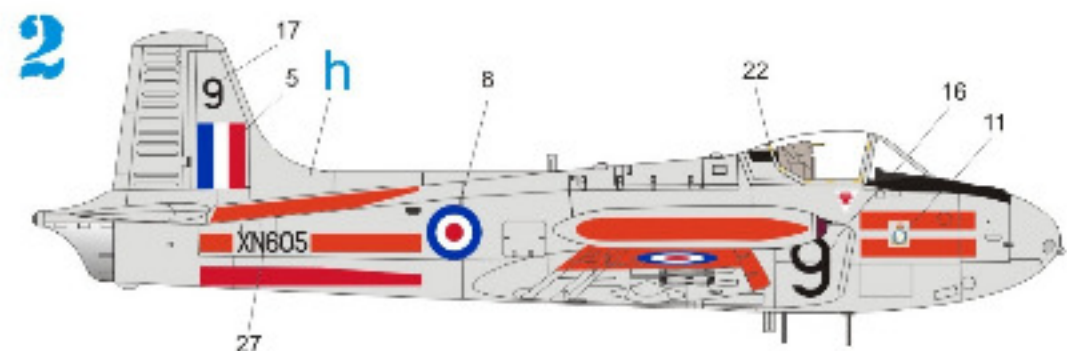


Jet Provost T.3/T.3A

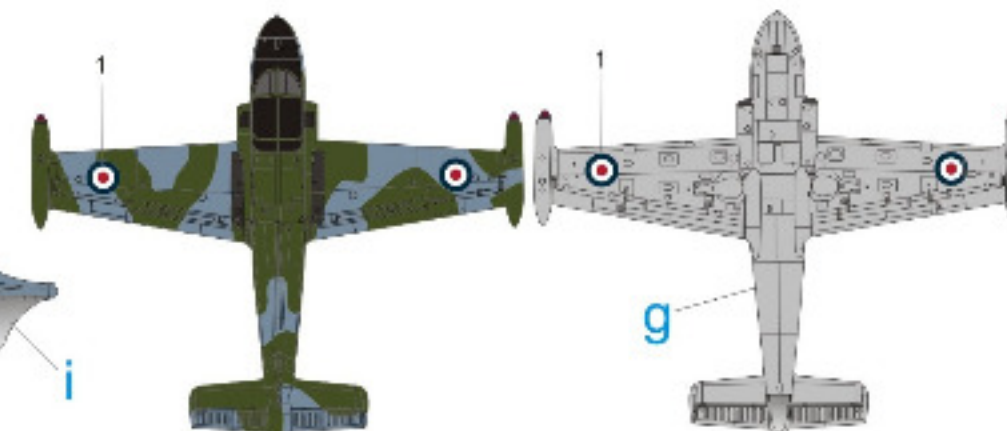
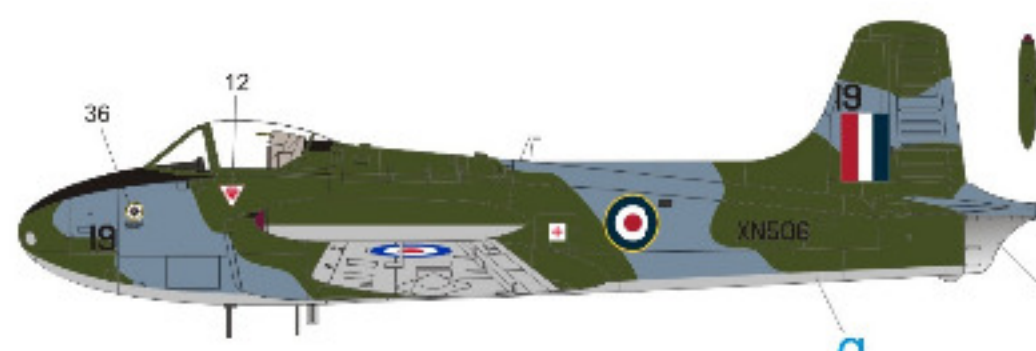
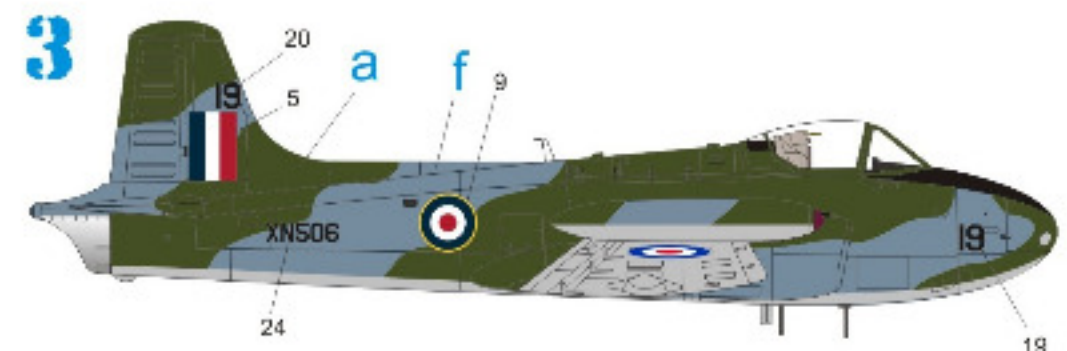
48017



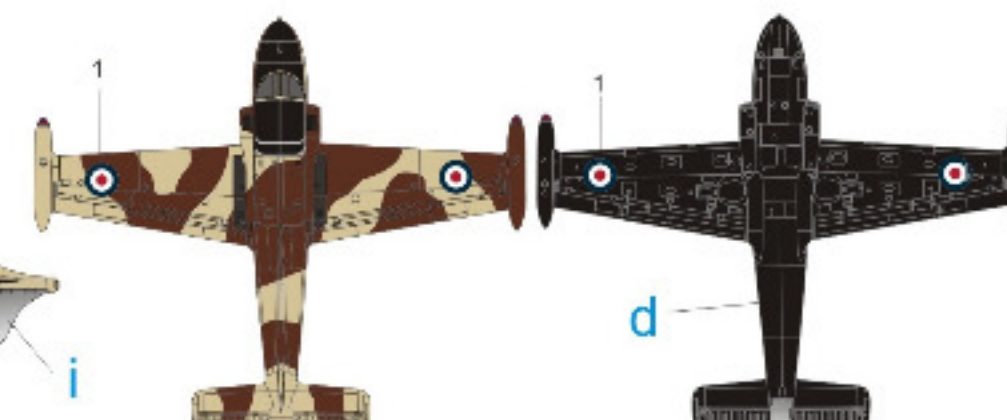
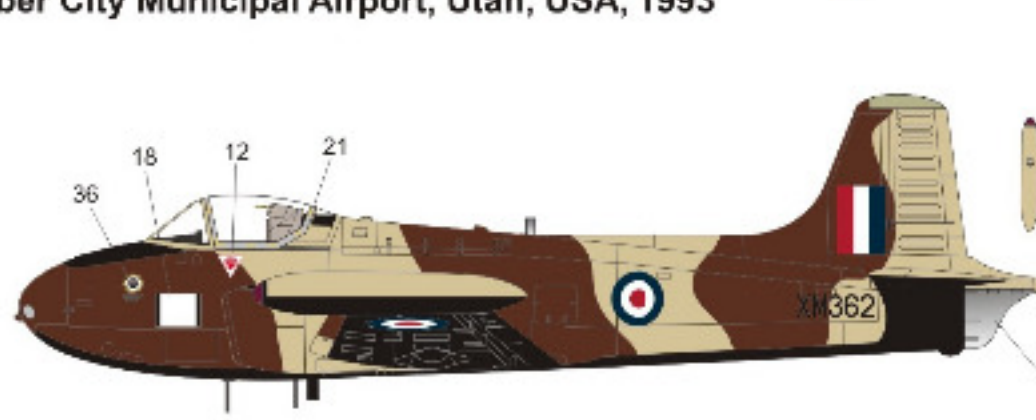
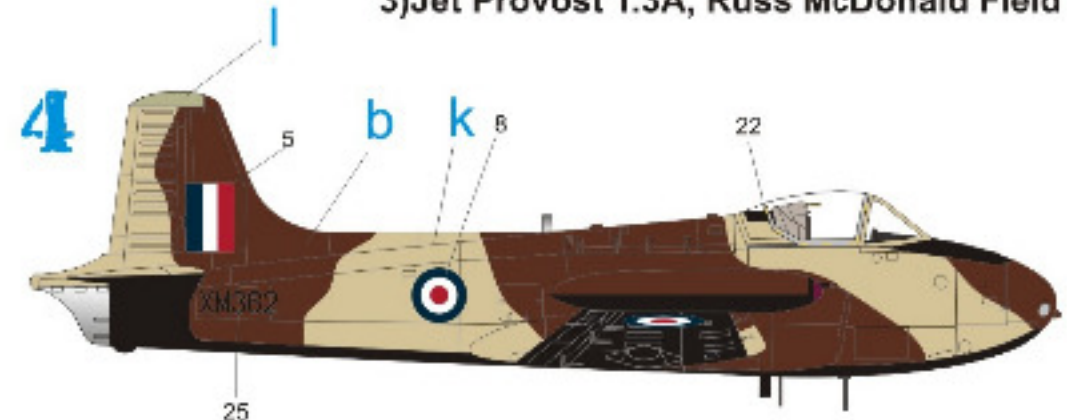
1) Jet Provost T.3, Royal Air Force, No.1 Flying Training School, RAF Linton-on-Ouse, 1961-70



2) Jet Provost T.3, Royal Air Force, No.6 Flying Training School, RAF Acklington, 1961



3) Jet Provost T.3A, Russ McDonald Field - Herber City Municipal Airport, Utah, USA, 1993



4) Jet Provost T.3, Defence School of Aeronautical Engineering (DSAE) Cosword, RAF Cosword, 2012