

M198 155mm Medium Towed Howitzer (Late version)

美国M198(155mm)榴弹炮后期型

READ BEFORE ASSEMBLY:

- Study and understand these instructions thoroughly before beginning assembly
 - When needed, remove photo-etch parts carefully using a modeling knife or photo etch sprue cutter, being careful not to damage or lose small parts.
 - Take extra care in handling photo etch parts in order to avoid injury
 - Apply instant cement sparingly to photo etch parts where instructed
 - Tools recommended(not included in kit):Plastic and instant cements, sprue cutters,long nose pliers,modeling knife, small files, tweezers, pin vise & scissors. Soft cloth and sandpaper will also assist in construction
 - Glue and paint are not included in the kit. Use plastic cement and hobby paints only. Color guide for purchasing paint is included in the kit.
- 装配之前仔细阅读
 - 小心用模型锉刀锉平所有零件表面的注射浇口。
 - 小心用刀片切下蚀刻片零件，不要遗失小零件。
 - 用强力快干胶水粘合蚀刻片零件和金属轴。过量快干胶水使用可能导致可动零件会粘住，小心涂胶。
 - 取蚀刻片时应特别注意安全，防止利边划伤手指。
 - 某些零件表面需贴上水贴纸，请选择在装配的同时进行。
 - 推荐模型工具(自备)：胶水，水口剪刀，长咀钳，刀片，锉刀，镊子，钳，钻，剪刀，瞬间快干胶。
 - 软布同砂纸同时也应该是必备工具。
 - 请使用塑料胶水和油漆，模型内不含。



配重
Weight



使用强力胶
Cyanoacrylate glue



钻孔
Make hole



切除
Cut / Remove



贴纸
Decal



锉平
File / Sand



选择
Option



不涂胶水
No cement



弯曲
Bend

水贴纸的使用:

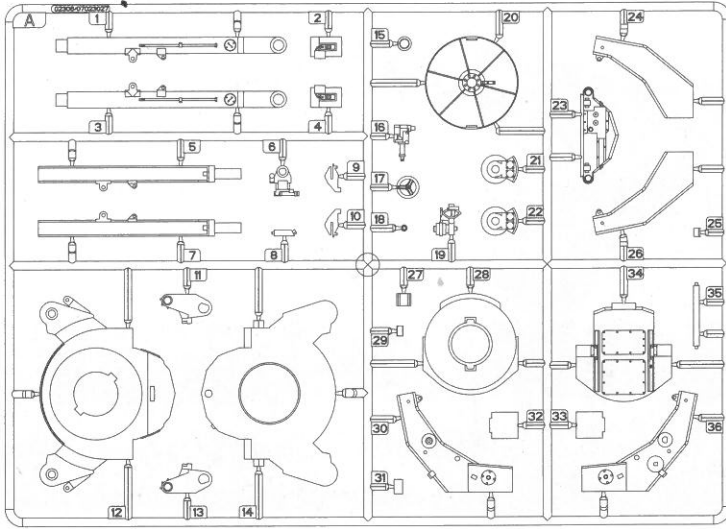
- 1.从水贴上剪下印花;
- 2.将印花放入温水中浸10秒,然后放在干净布上。
- 3.拿着印花纸板将印花移到模型上;
- 4.手指蘸水将印花移到适当的位置;
- 5.用软布轻压印花直至水干, 气泡消失

DECAL APPLICATION

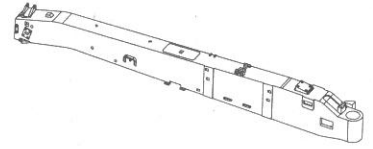
- 1.Cut decals from sheet as needed
- 2.Dip the decal in warm water for about 10 seconds and then place on soft clean cloth.
- 3.Hold the decal backing sheet edge and gently slide the decal onto the model in its proper position.
- 4.While still wet,decal can be adjusted for better fit on model by dampening it gently with your finger.
- 5.When placed in the proper position,gently press decal down with a soft cloth until excess water and air bubbles are gone.
- 6.Allow decal to dry completely before handling model

部品图 Parts

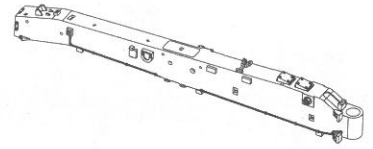
A



《左大架》
Gun trail (L)



《右大架》
Gun trail (R)



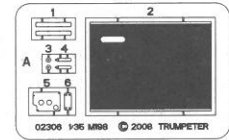
《大轮胎》 X2
Tyre (thick)



《小轮胎》 X2
Tyre (thin)



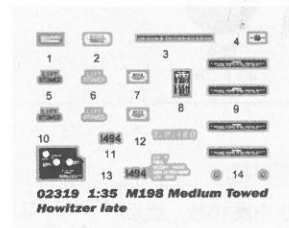
《蚀刻片》
PE



《拱形盖》 X2
Vaulted cover

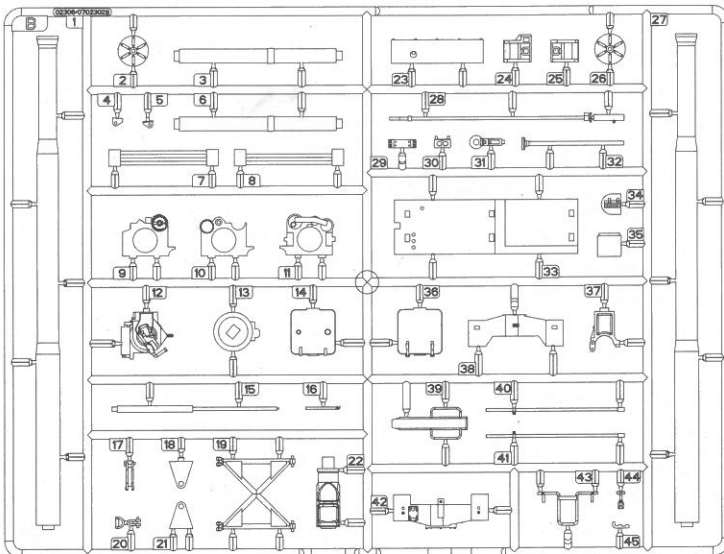


《水贴纸》
Decal

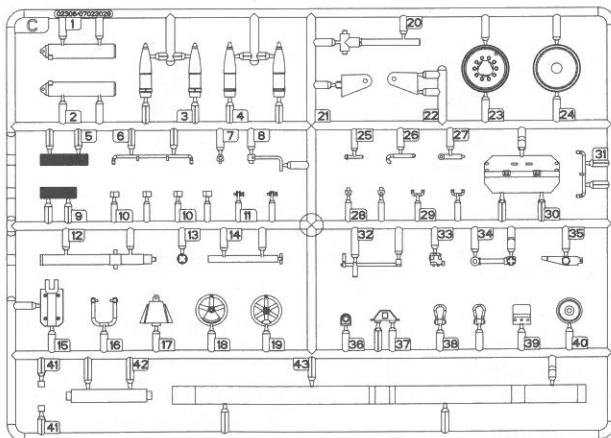


不用部品: B2、B18、B21、B26
No used parts

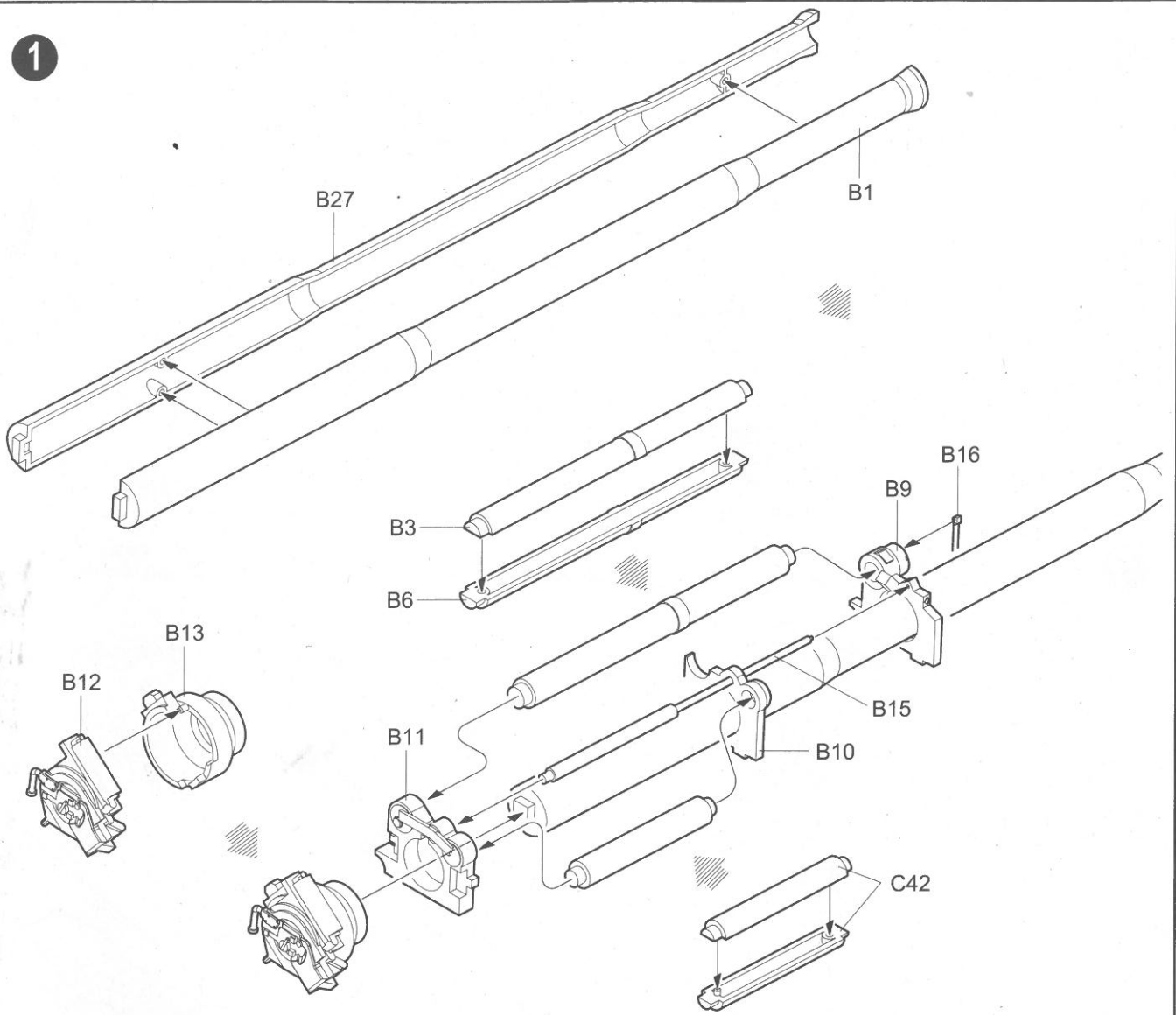
B



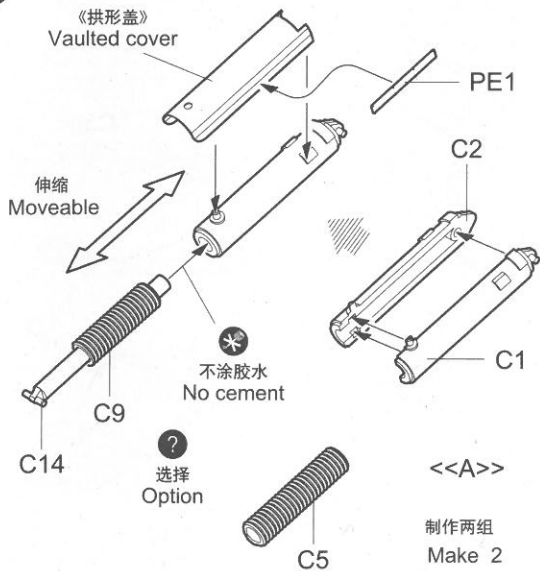
CX2



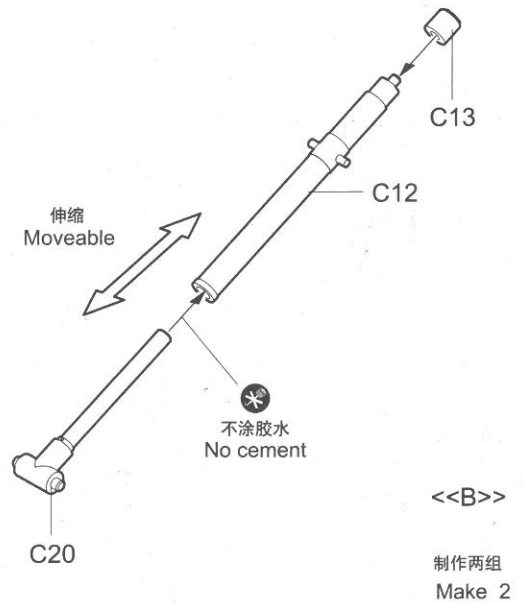
1

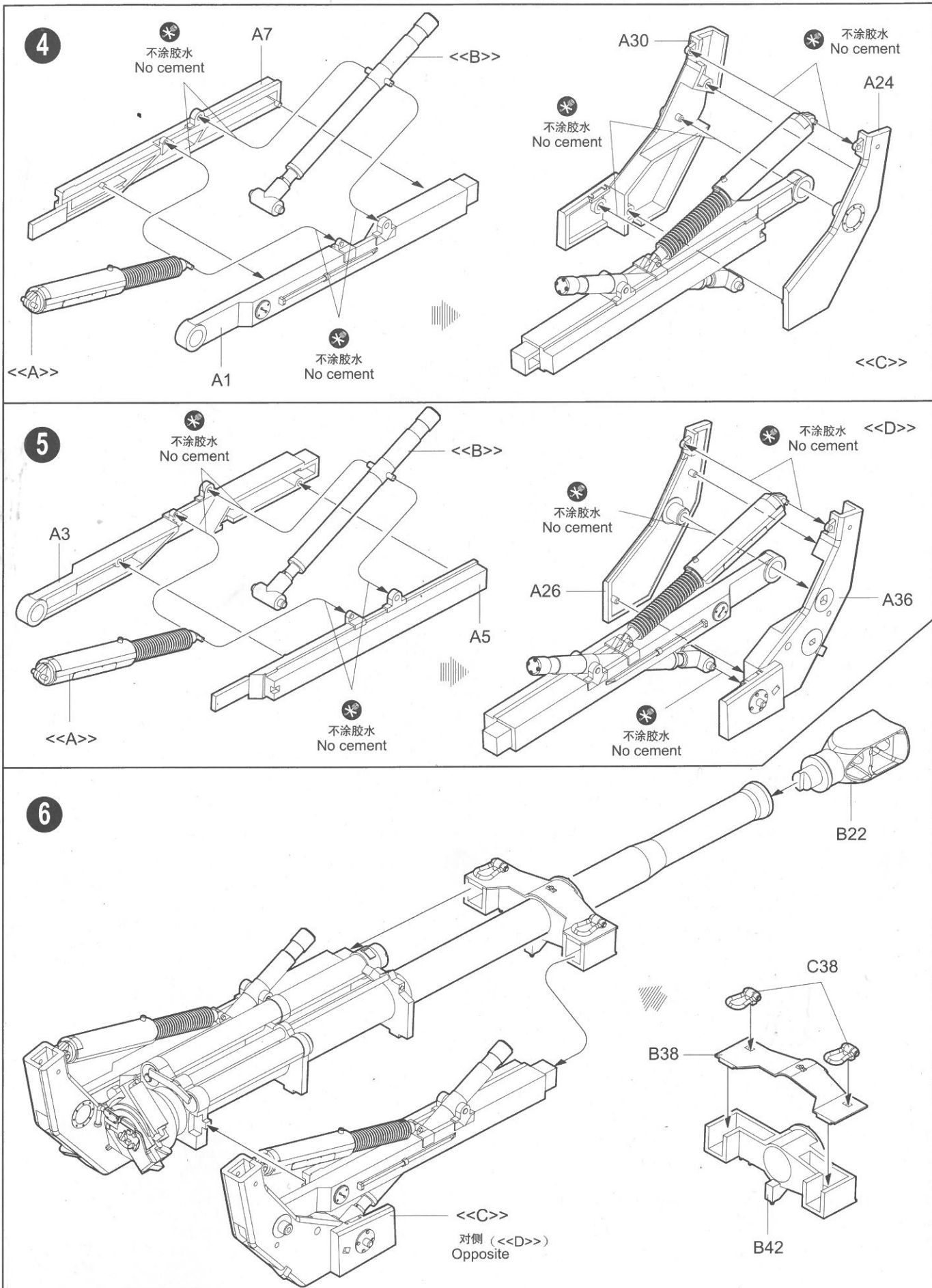


2

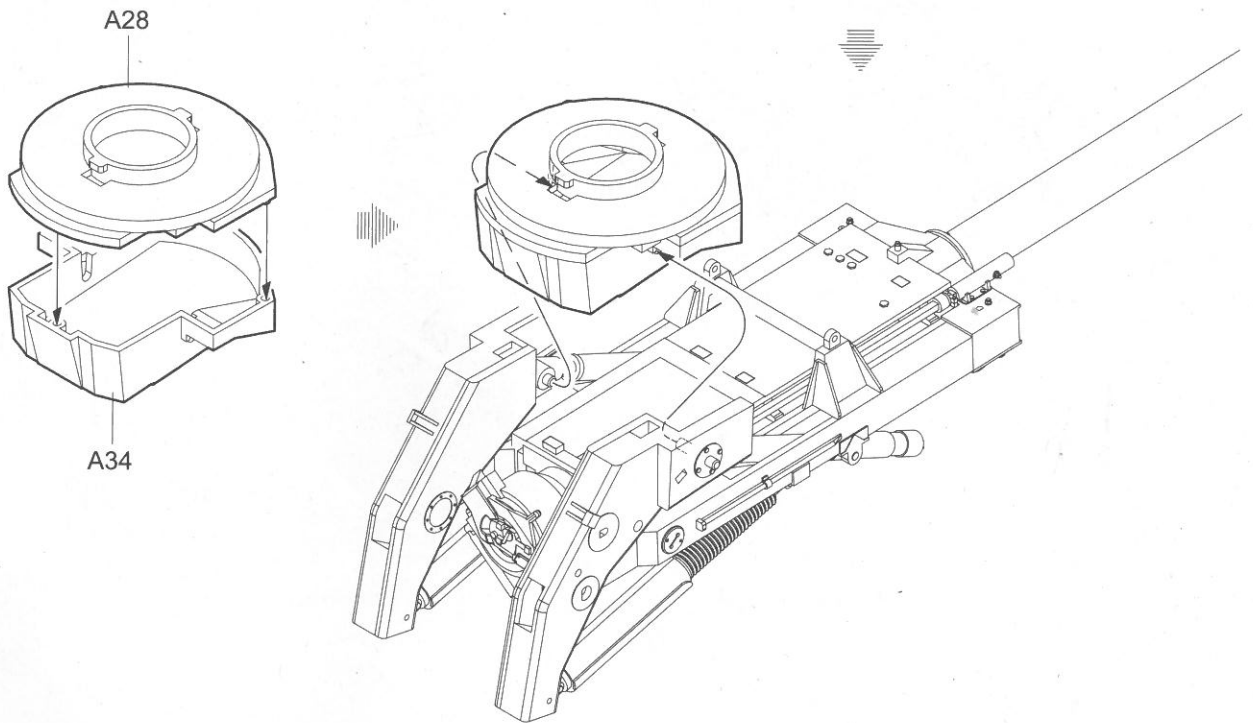
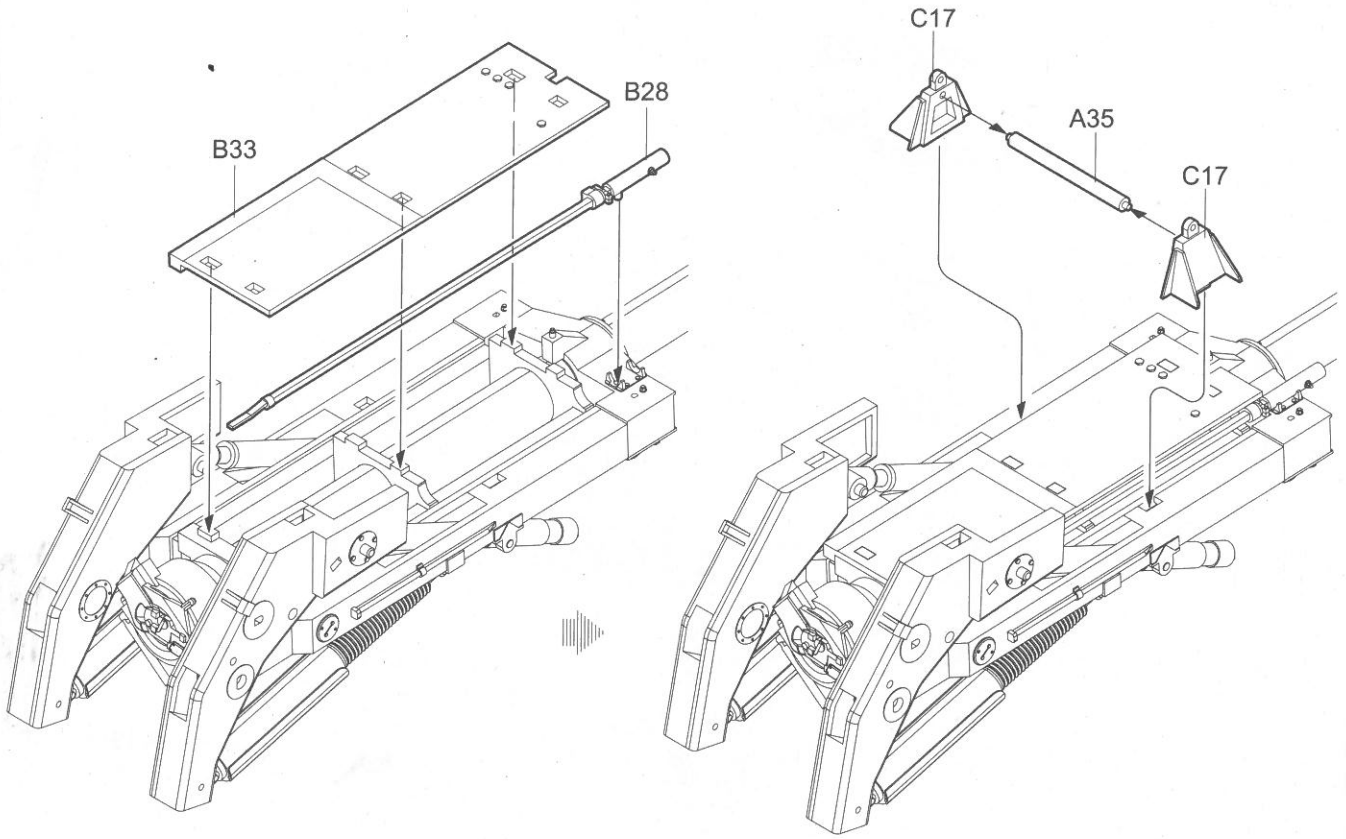


3

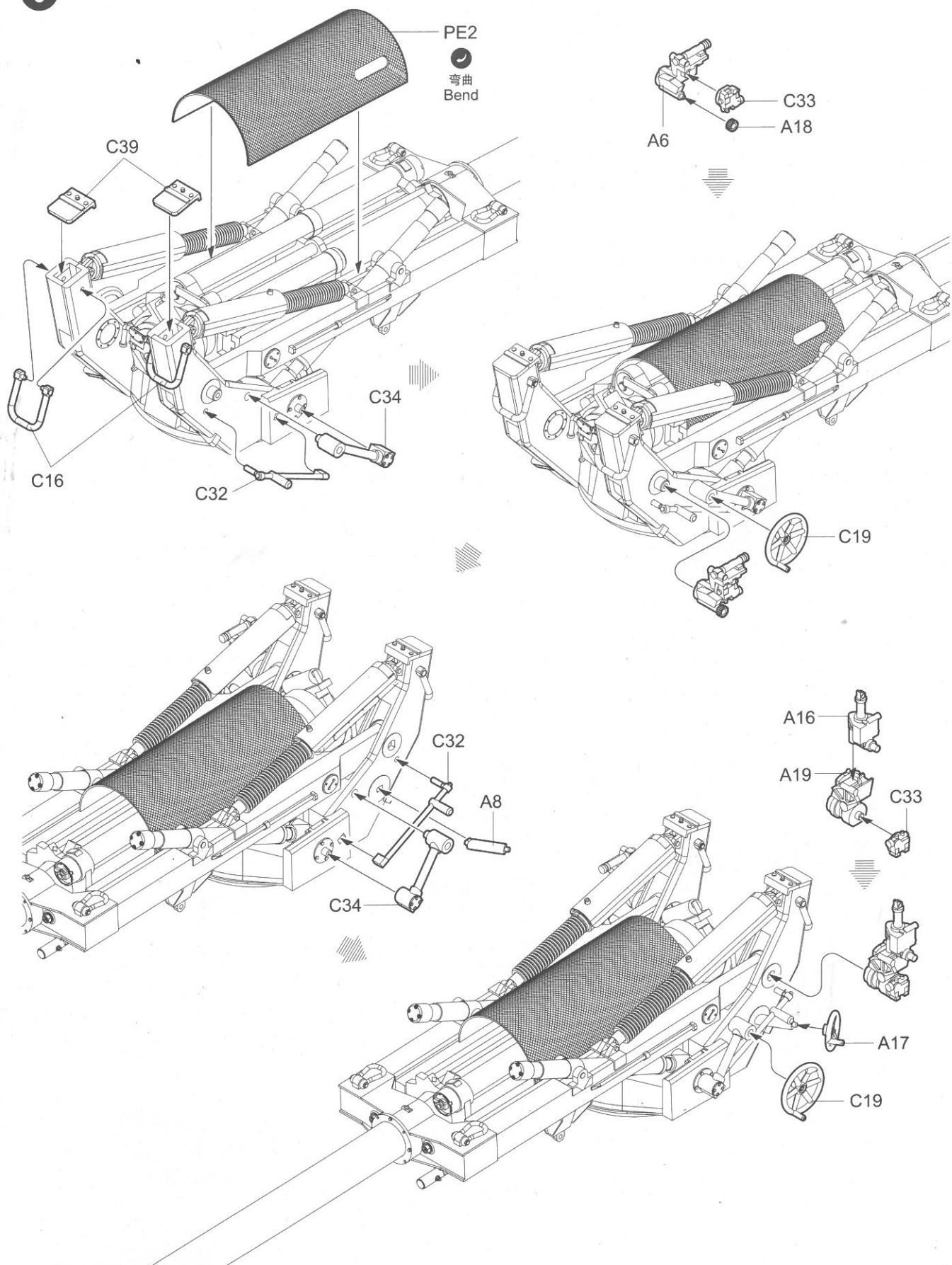




7

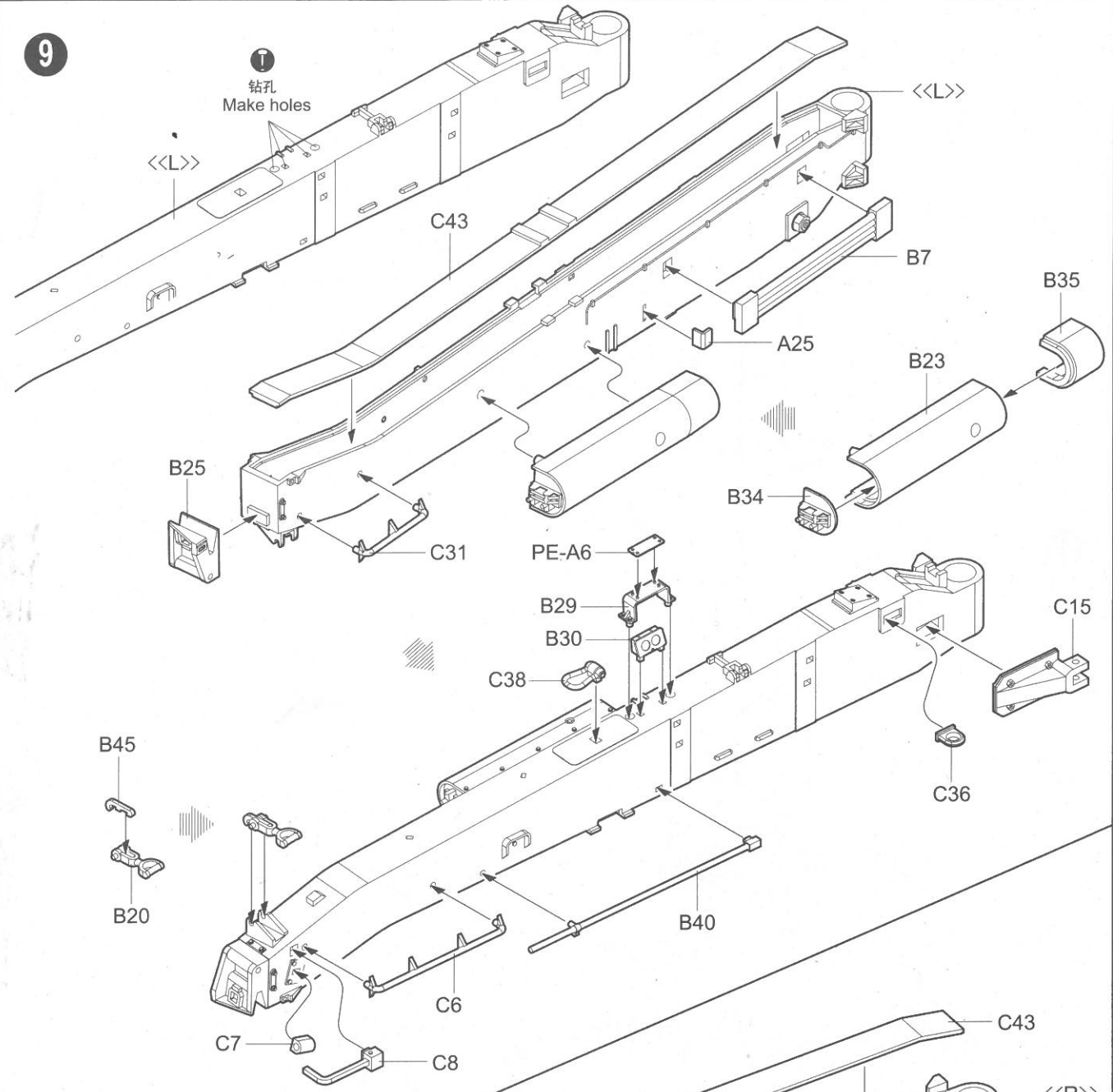


8

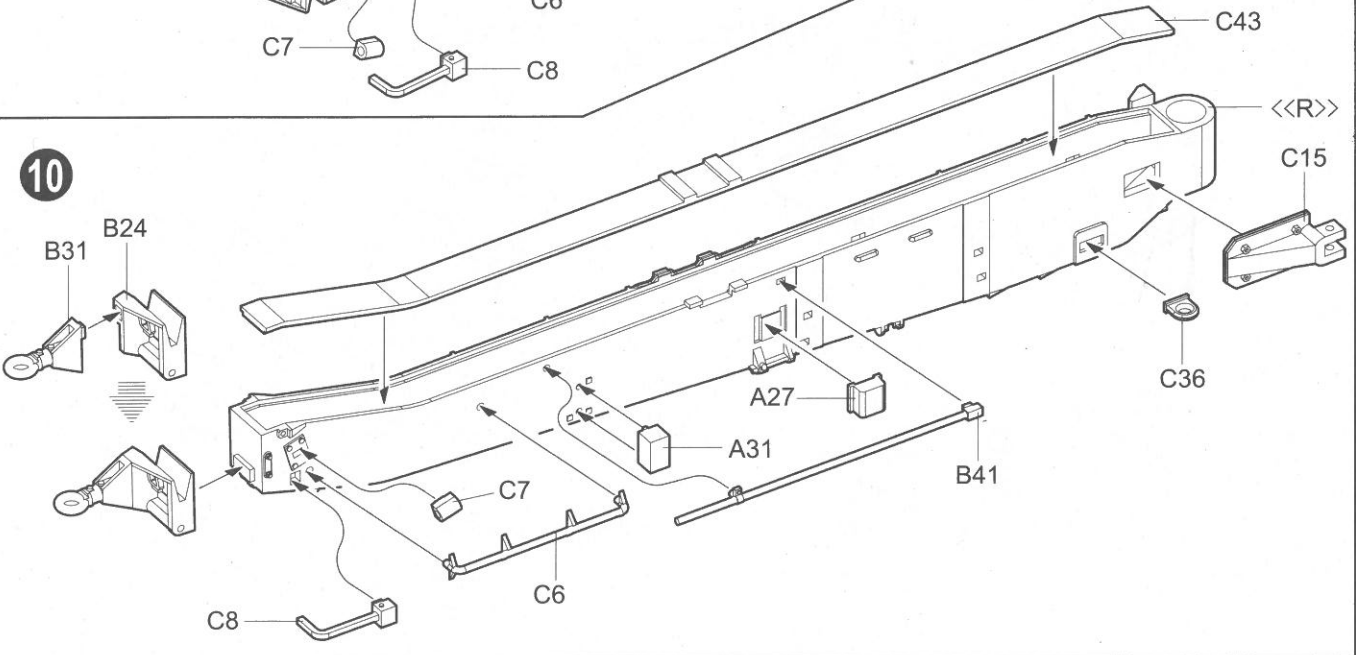


9

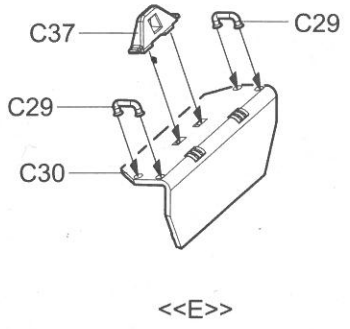
ⓧ
钻孔
Make holes



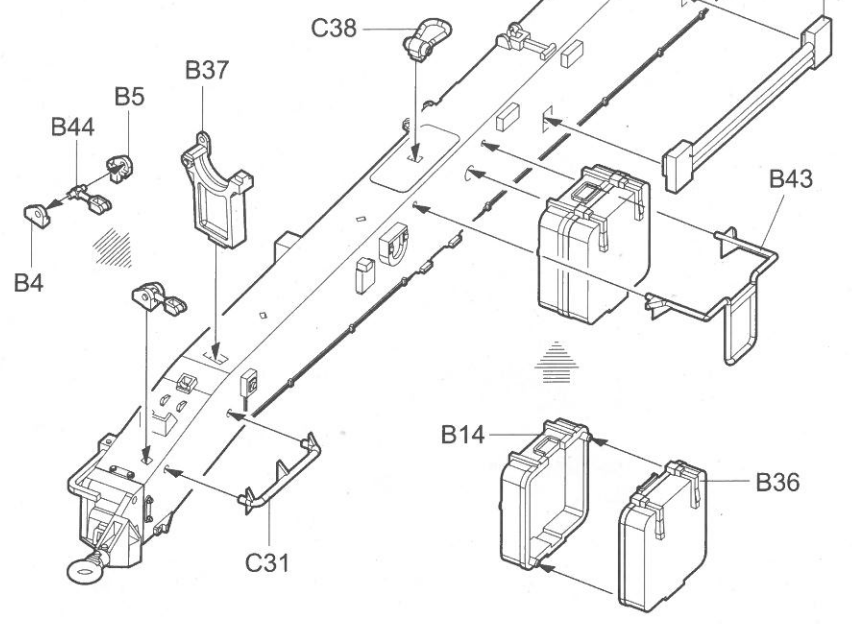
10



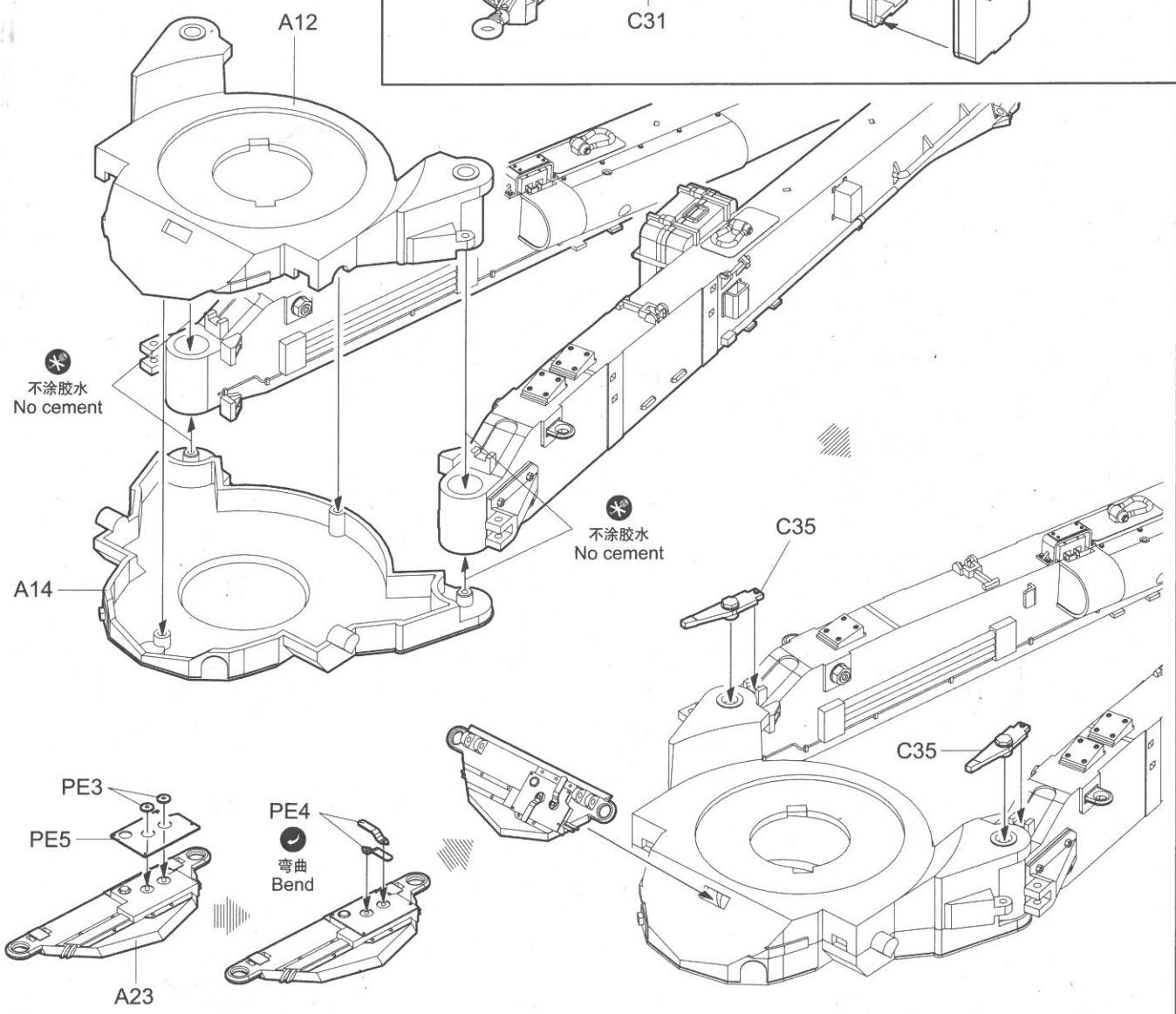
11



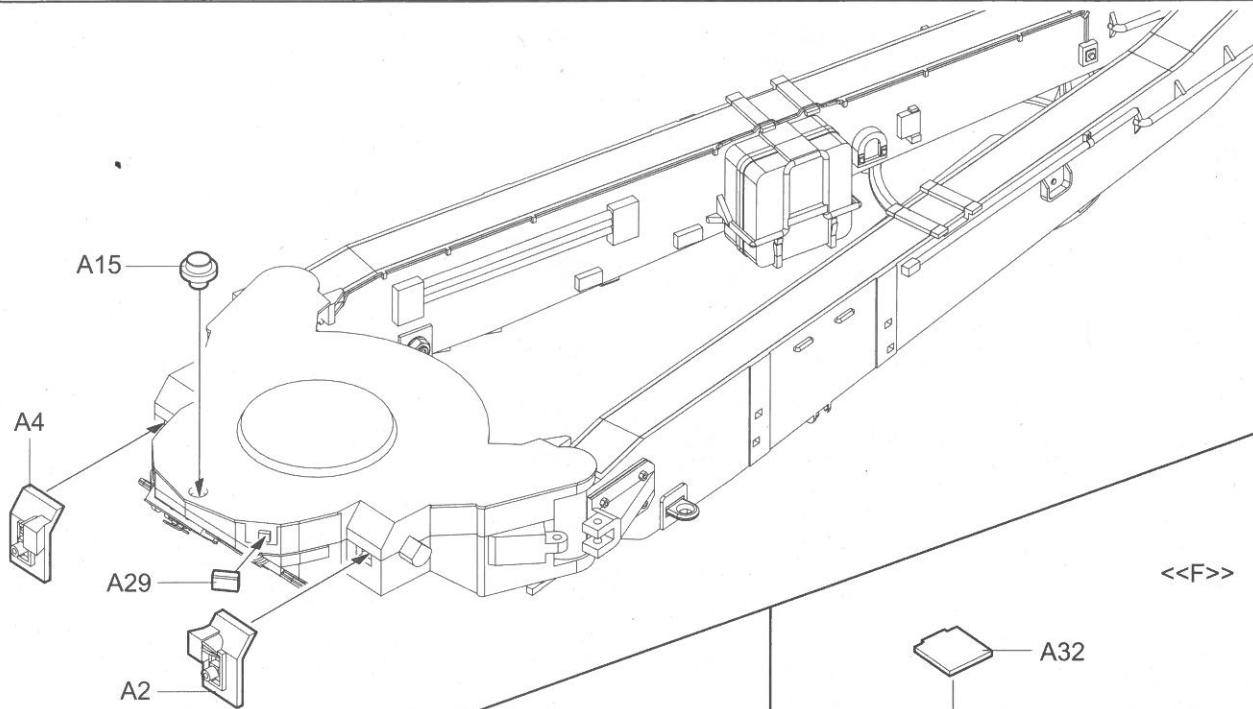
制作两组
Make 2



12

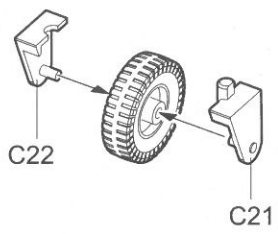
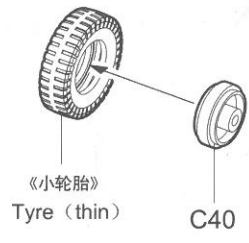


13

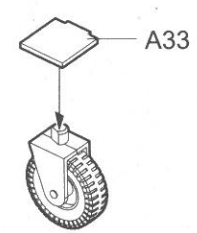
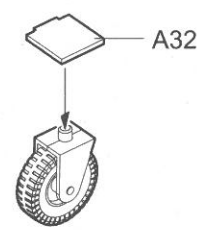


<<F>>

14

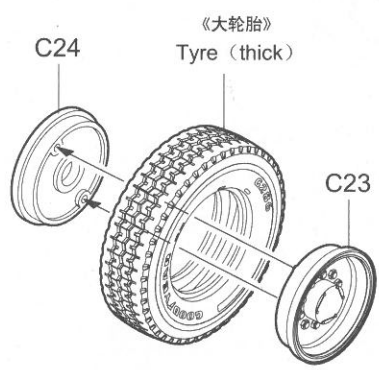


制作两组
Make 2

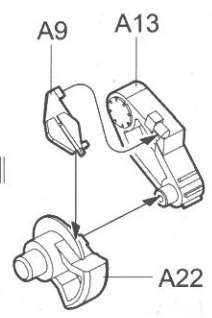
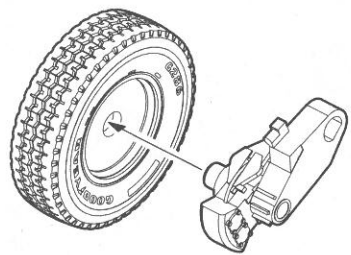


<<G>>

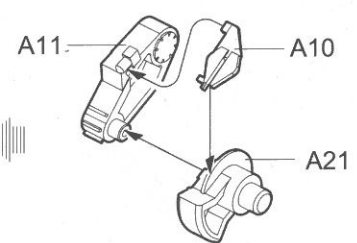
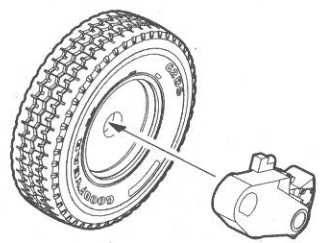
15



制作两组
Make 2



<<H>>

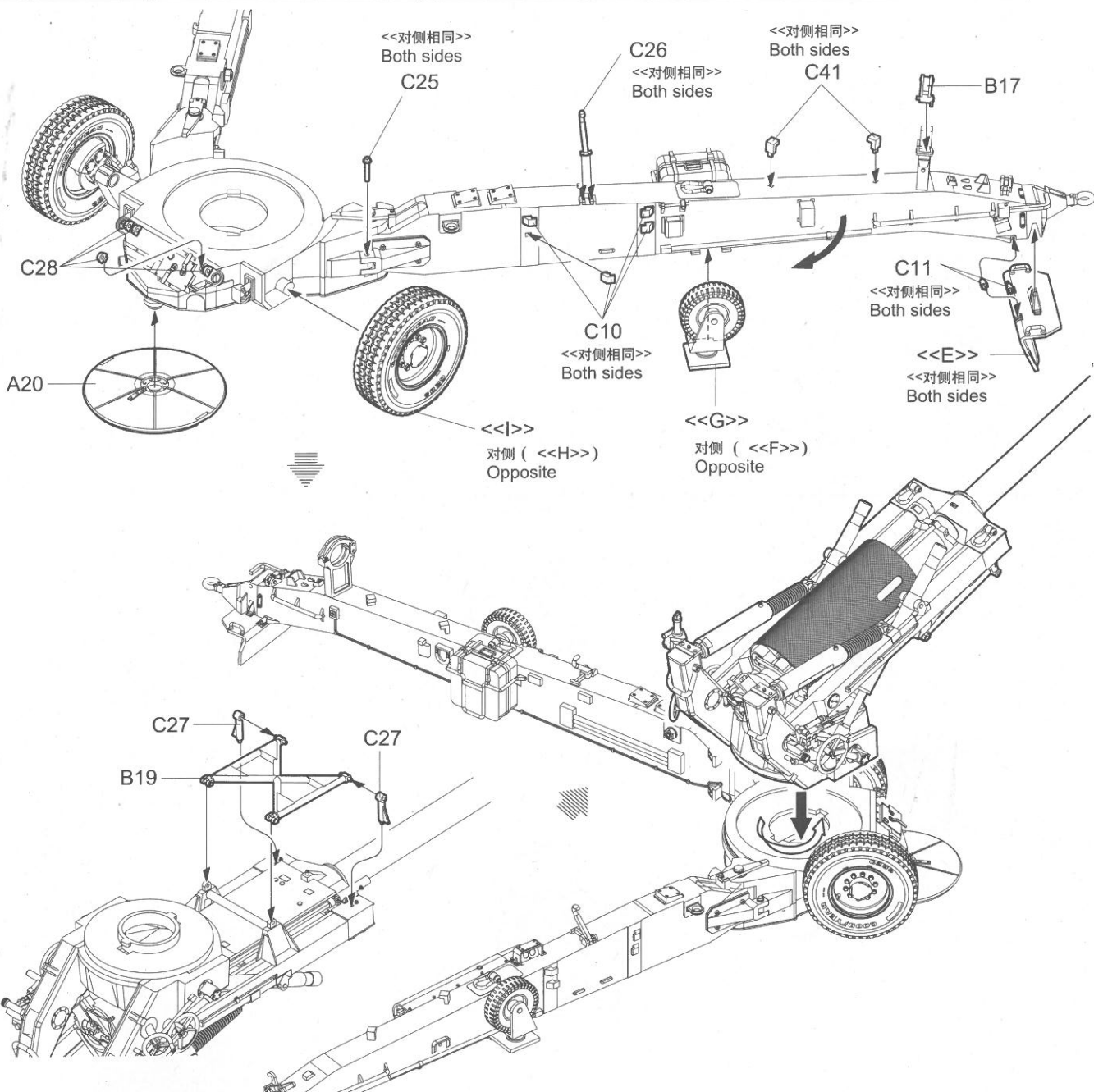
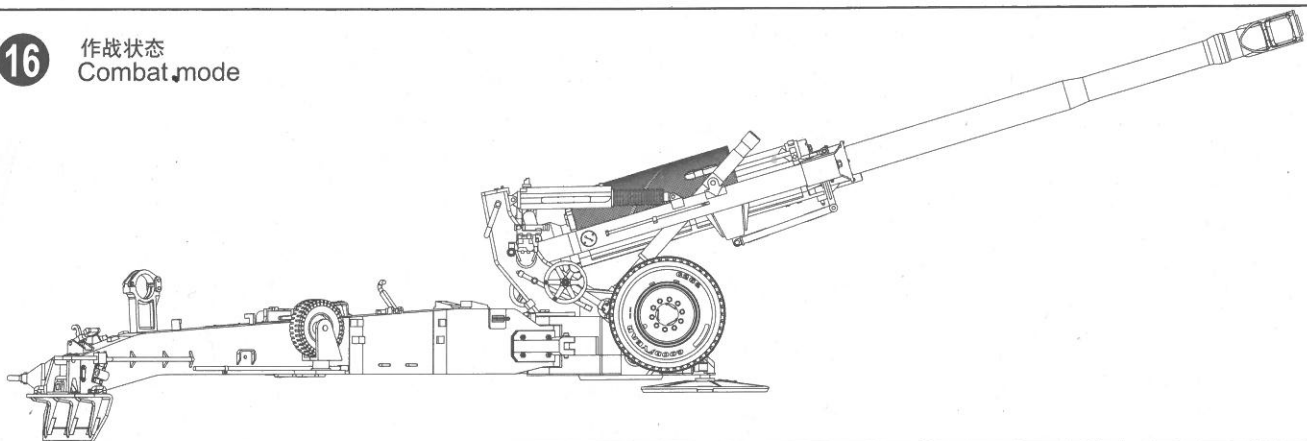


<<I>>

2 选择
Option

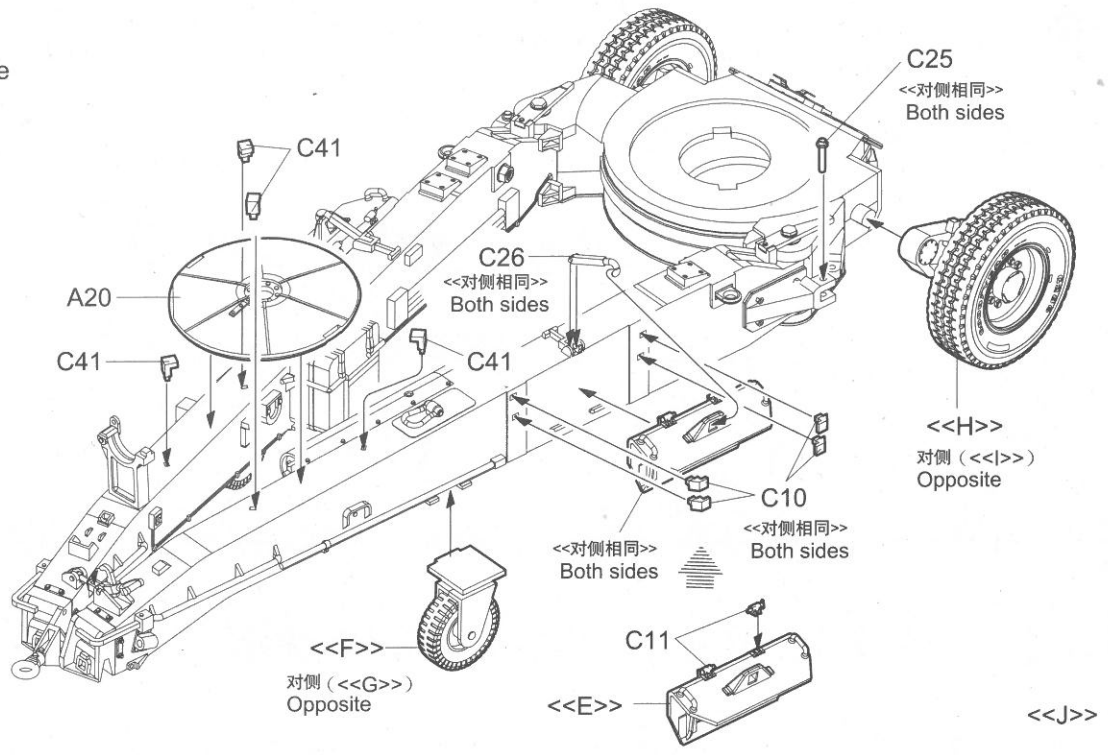
作战状态或行军(升高)状态可以选装。
Either combat or travel and lift modes can be selected for assembly.

16 作战状态
Combat mode

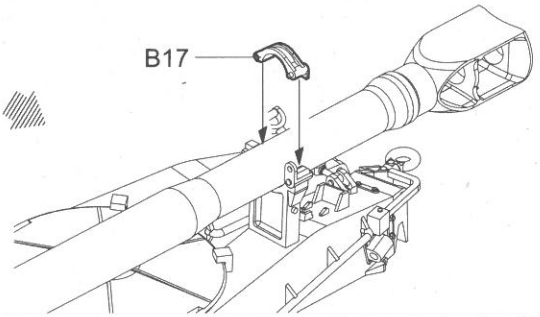
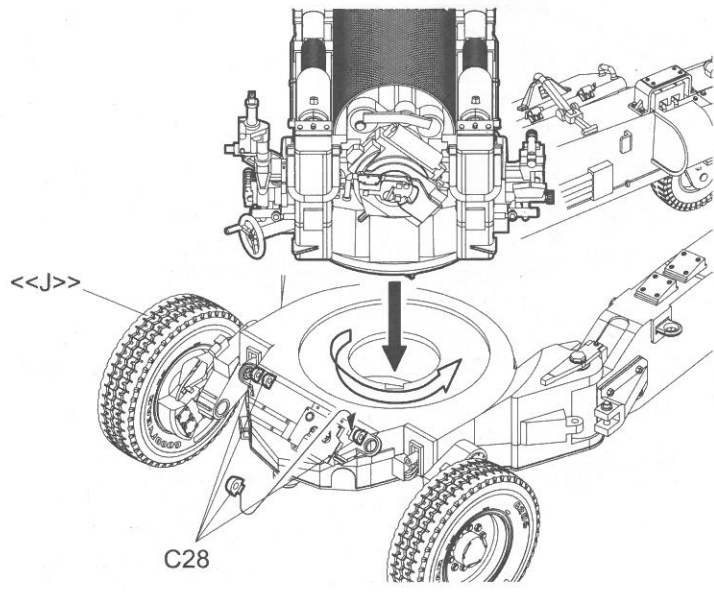
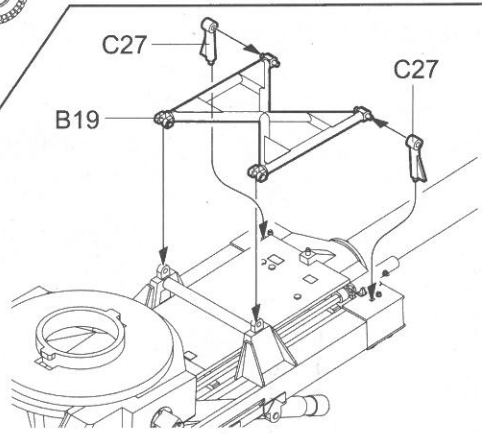
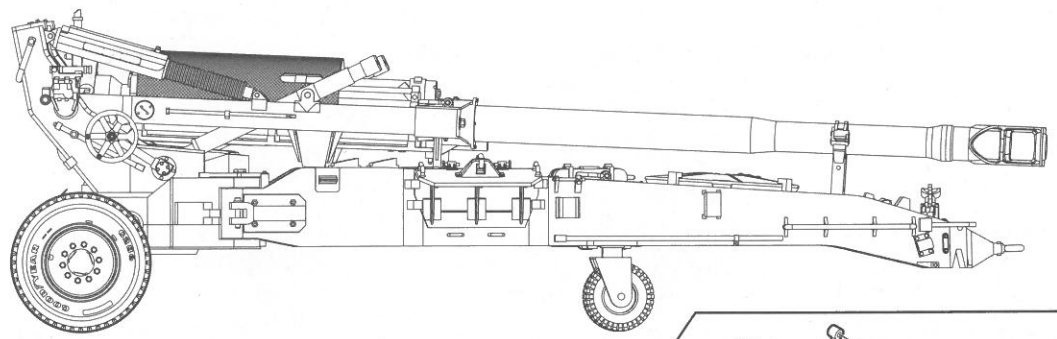


17

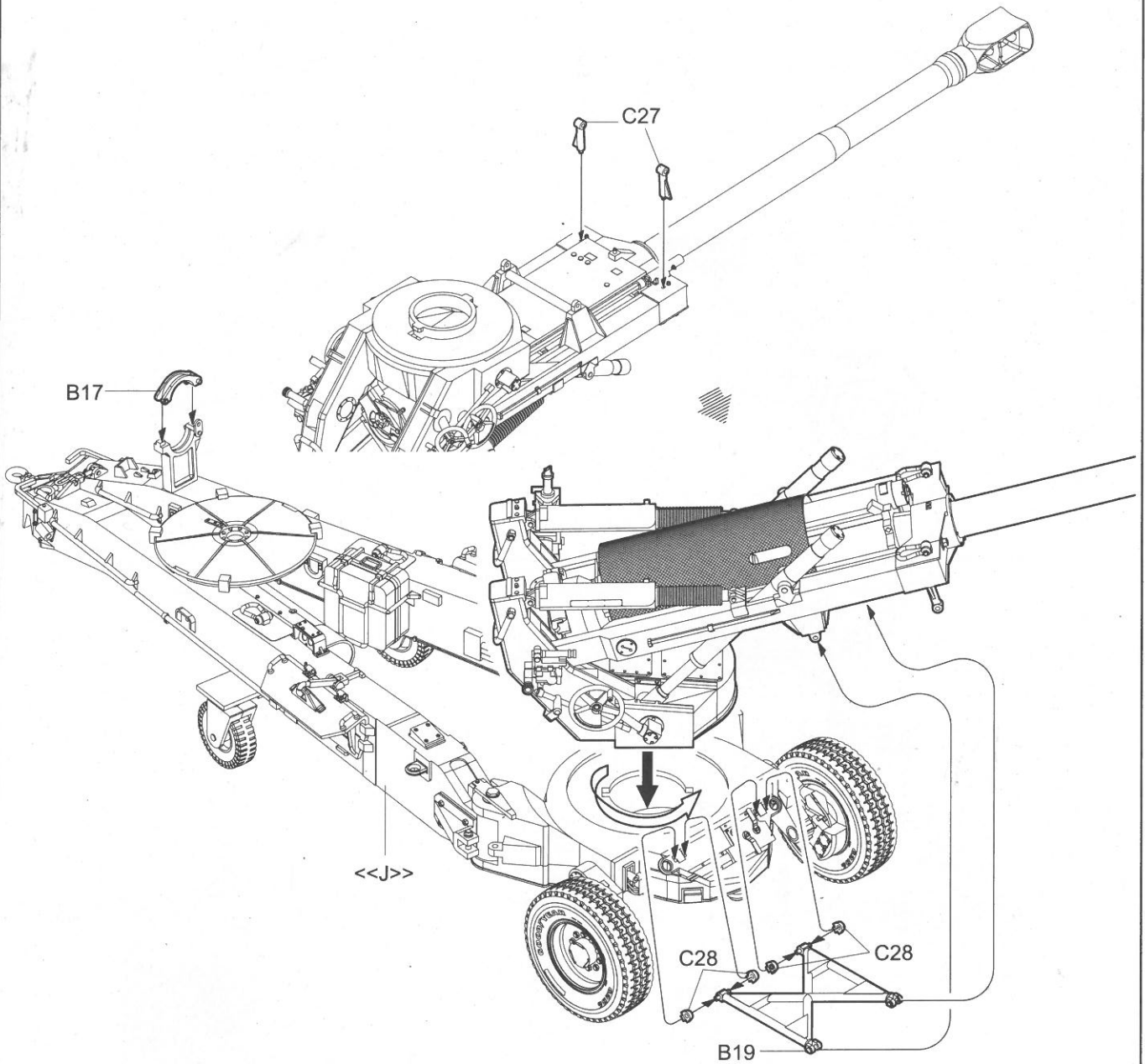
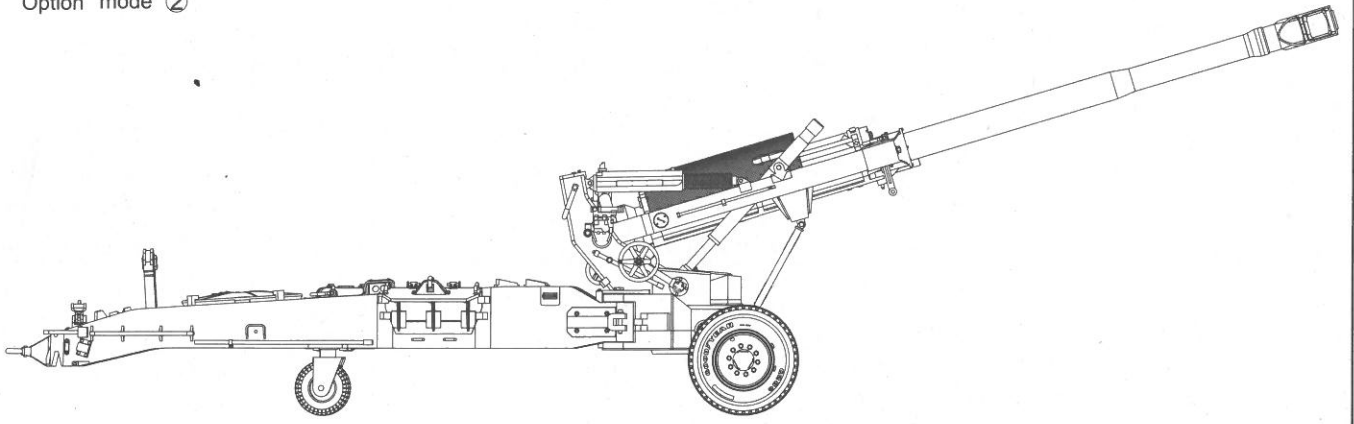
行军状态
Travel mode



?
选择 状态 ①
Option mode ①



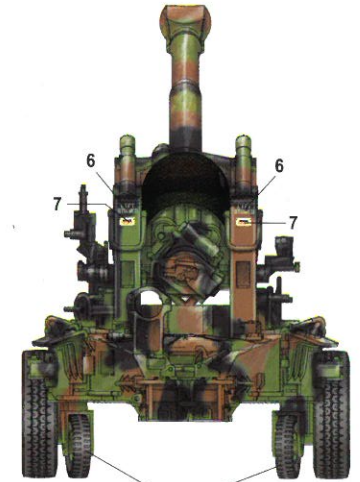
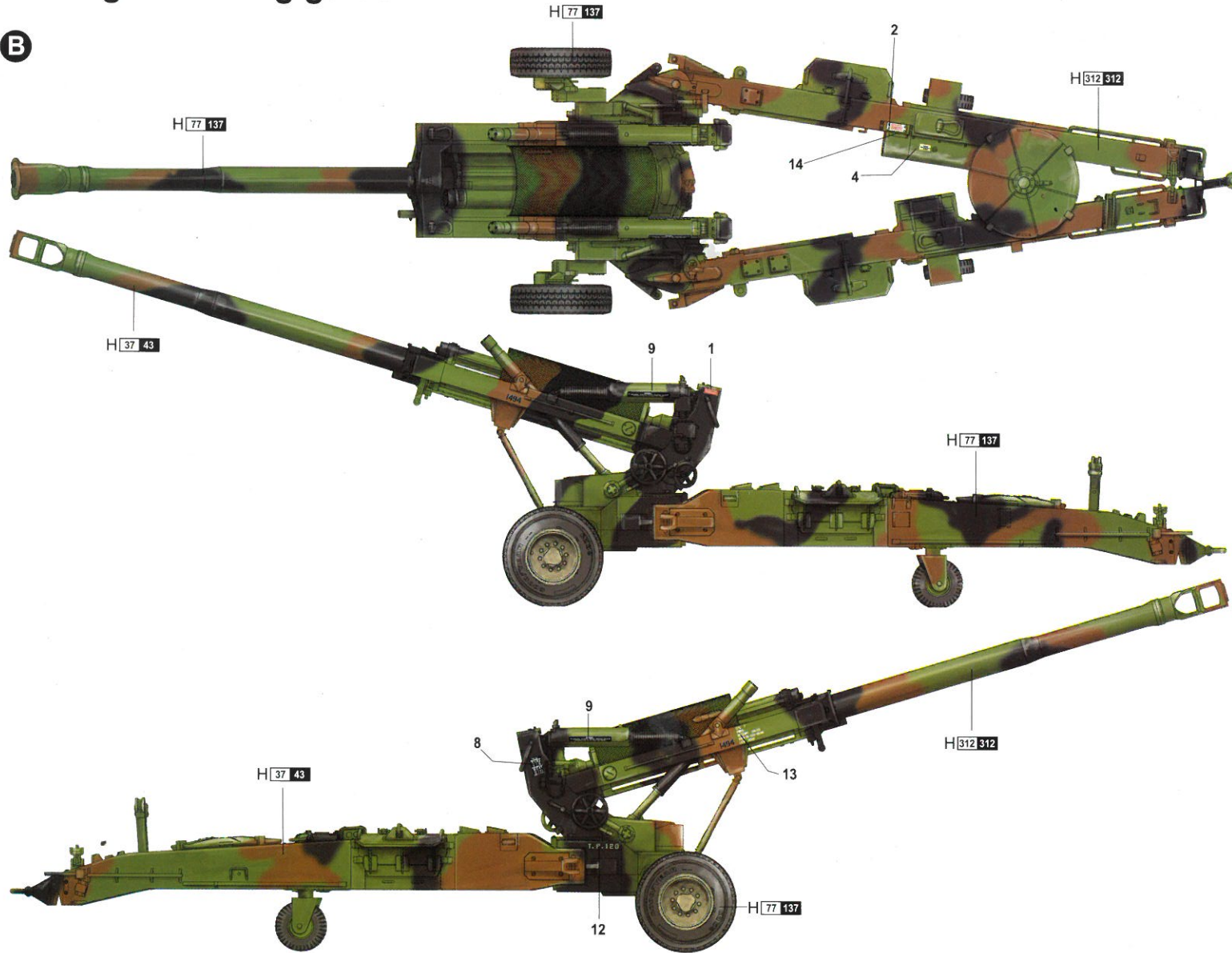
②
选择 状态 ②
Option mode ②



涂装同标贴指示 Painting & Marking guide

PAINT REFERENCE COLOUR					
Color	Mr.Hobby	Vallejo	Model Master	Tamiya	Humbrol
Medium Grey Green 绿色	H 312 312	-	1716	-	120
Tiny Black 黑色	H 77 137	-	-	-	-
Wood Brown 木棕色	H 37 43	983	1701	-	186

B

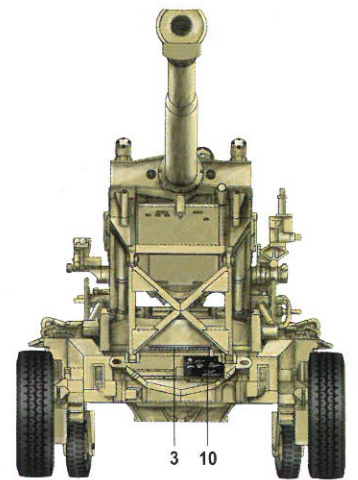
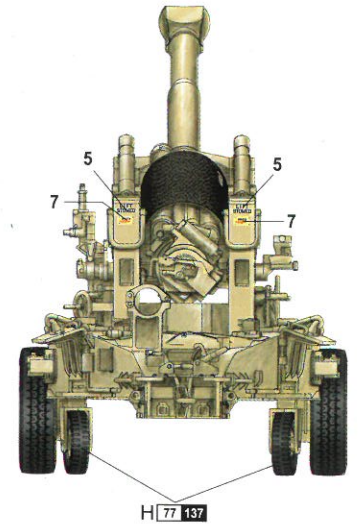
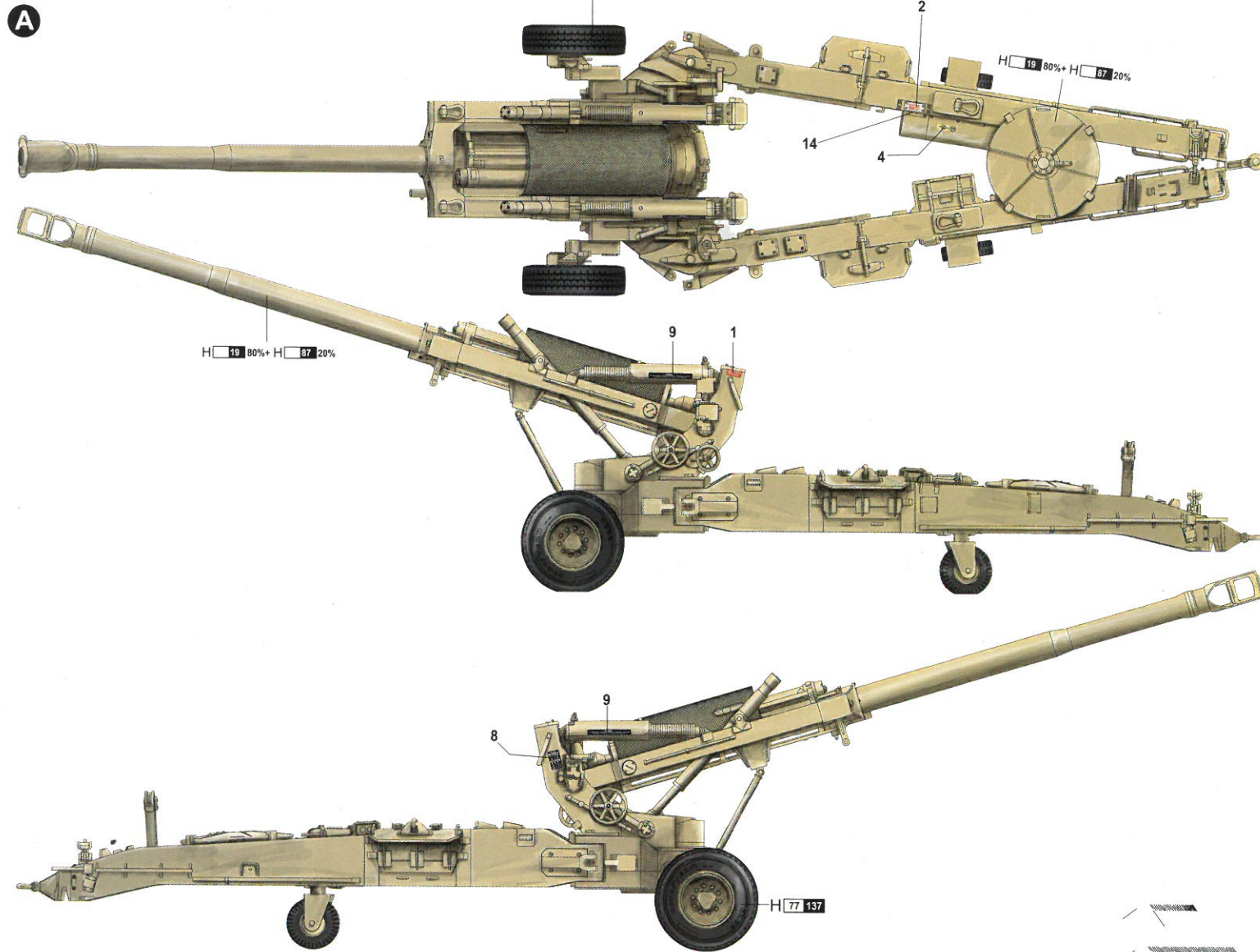


H AQUEOUS HOBBY COLOR ■ Mr. COLOR

涂装同标贴指示 Painting & Marking guide

PAINT REFERENCE COLOUR

Color	Mr.Hobby	Vallejo	Model Master	Tamiya	Humbrol
Tire Black 胎黑色	H 77 137	-	-	-	-
Sandy Brown 沙褐色	H 19	-	-	-	-
潜奶油黄	H 87	-	-	-	-



H AQUEOUS HOBBY COLOR ■ Mr. COLOR