

PRECISION MODELS

Ref. : 35002.A

15 cm s.F.H. 18 & 10 cm K.18

Scale : 1:35

Kraftzug Protze

Die Kraftzugprotze ist eine Sattelprotze.

Sie hat eine Spurbreite von 1750 mm.

Die Räder haben Elastikbereifung.

The limber for motorised vehicles is one of the

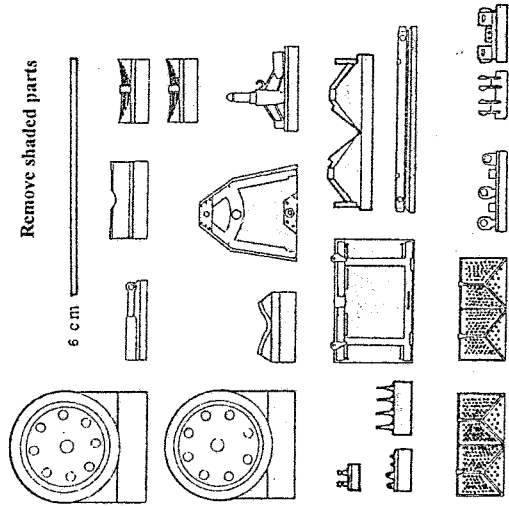
saddle type. Its track amounts to 1750 mm.

The wheels have rubber tires.

L' avant-train pour des véhicules motorisés est un du

type selle. L'écartement se monte à 1750 mm.

Les roues ont des pneus en caoutchouc.



Remove shaded parts

6 cm

1

○ pierce hole

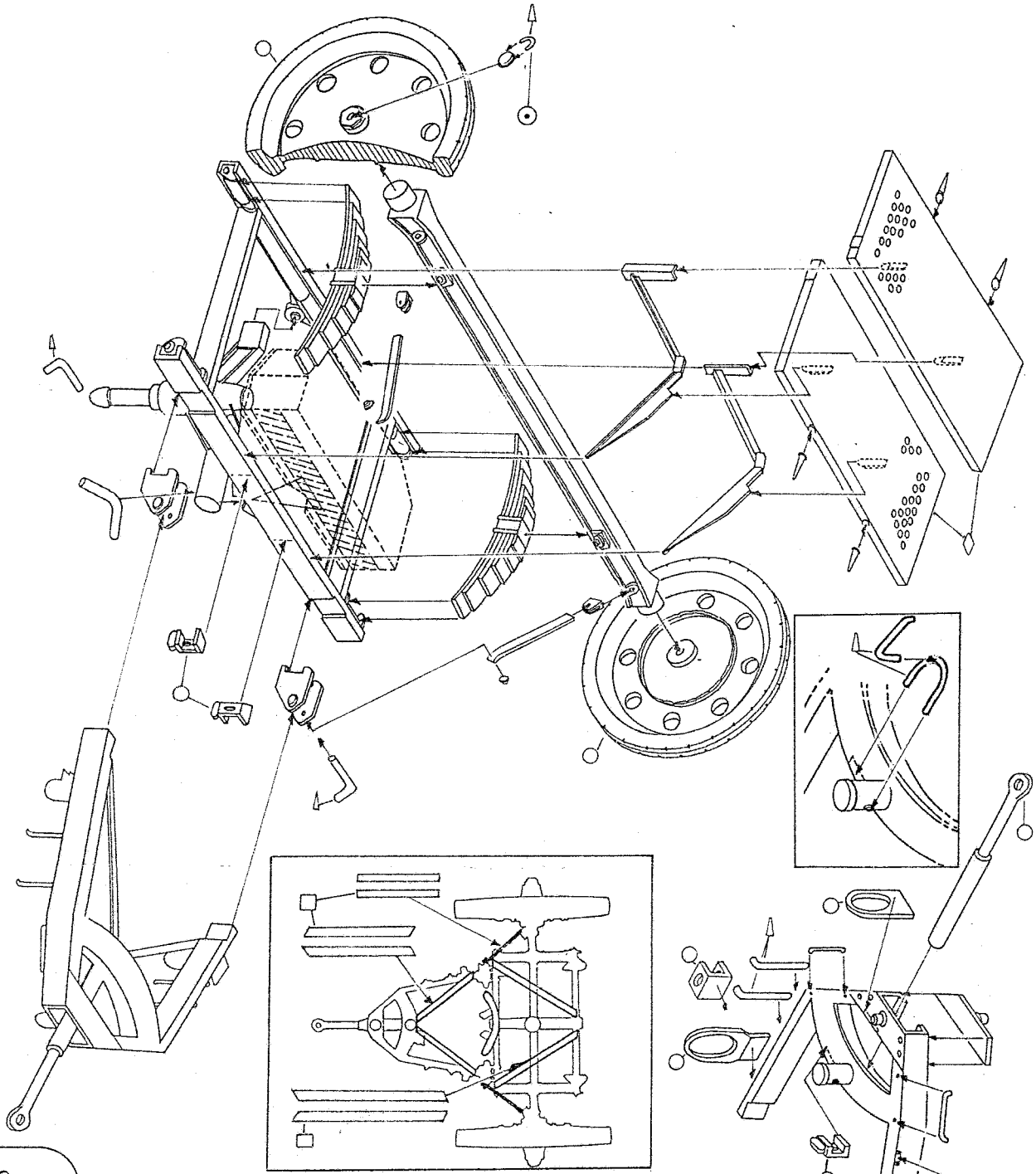
□ jig (real size) not included.
Cut from plastic strips.

⊢ copperwire 6mm Ø 0.4 mm

◇ remove casting remainder by making
rotating movements on sandpaper

⊙ make round hole Ø 1.5 mm

2



CAUTION

Best glue to use is cyanoacrylate to glue firmly.
Make sure the room is well-ventilated because this
glue is harmful when inhaled excessively.

PRECISION MODELS
ELF/SEPTEMBERLAAN 24
3860 OPGLA'BBEEK / BELGIUM
FAX 0032 - 89858311