



Soviet SS-23 Spider Tactical Ballistic Missile

ソビエト SS-23 スパイダー弾道ミサイル

苏联SS-23“蜘蛛”导弹车

PLEASE READ BEFORE OPERATION!

- Tools recommended as below: (Not included)
- Adhesives: Paints; Side Cutters; Sharp Edged Files; Modeling Knife; Modeling File; Nippers; Drill; Scissors; Sand Paper; Soft Cloth; Cyanoacrylate Glue.
- Make sure to read this instruction listed below before assembling.
- This kit contains the small parts, they can be dangerous if swallowed by mistake, so keep them away from reach of children.
- Cut the all parts of carefully and remove the waste parts into the garbage can.
- More caution and care should be needed for cutting and handling the photo etched parts.
- Make attention that some parts should be attached the decal when assembled.
- During assembling, please tear up and throw away the plastic bags, or may cause the dangerous if wearing over head by children's mistake.
- When using the adhesives and paints, please do not use them in the closed room or near the fire, also must be very careful to protect your eyes, face and clothes.
- Adult supervised when assembled by children under 14 years old.

装配前请仔细阅读：

- 推荐使用的模型工具(请自备)：专用模型胶水、专用模型油漆、水口剪刀、长嘴钳、刀片、修刀、镊子钳、钻、剪刀、软布、砂纸、瞬间快干胶等。
- 用水口剪刀或刀片小心切下所有塑胶零件和蚀刻片零件，不要遗失小零件。
- 切取蚀刻片时应特别注意防止利刃划伤手指。
- 用模型修刀小心修平所有零件表面的注射浇口。
- 用适当的强力快干胶水粘合蚀刻片零件和金属轴，切忌过量，否则可能导致可动零件被咬住。
- 注意某些零件表面需在装配时同步贴上火贴纸。
- 制作时应远离幼儿并将包装袋及时收妥，谨防小孩玩耍而引起意外。



using oil water glue
使用油性胶水



weight
配重



make hole
钻孔



cut / remove
切割



option
选项



no cement
不准胶水



decal
贴纸



bend
弯曲



repair
修补

The method to apply the decals

1. Cut off the decal from the decal paper and put it into the warm water 40°C for 10 seconds.
2. Take the decal from the water and put it on a piece of clean cloth.
3. Remove the decal slowly from the paper to the targeted location by a wet finger.
4. Use a piece of dry and soft cloth to press it gently on the decal until it getting dry and no bubble existing.

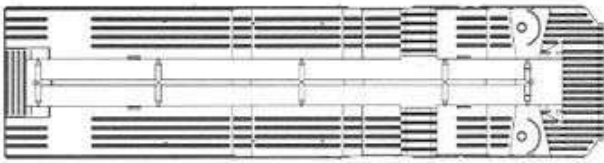
水贴纸的使用方法：

- 一. 把相关的印花从水贴纸上剪下，放入40°C左右的温水中浸10秒。
- 二. 然后将印花放在干净的布上。
- 三. 拿上印花纸边，手指蘸水将印花移到适当的位置。
- 四. 用软干布轻压印花直至晾干，气泡消失。

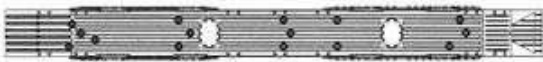
部品图

Parts

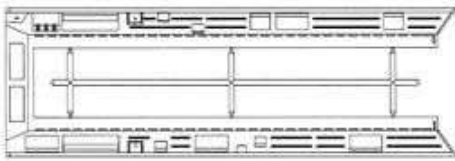
JX1



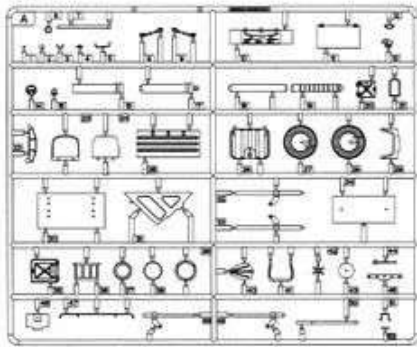
KX1



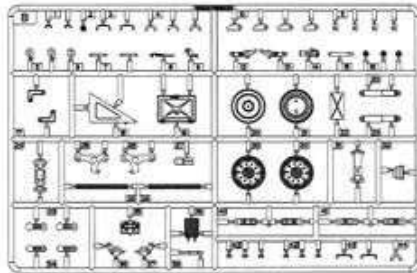
LX1



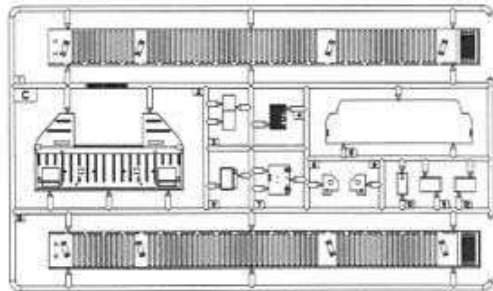
AX2



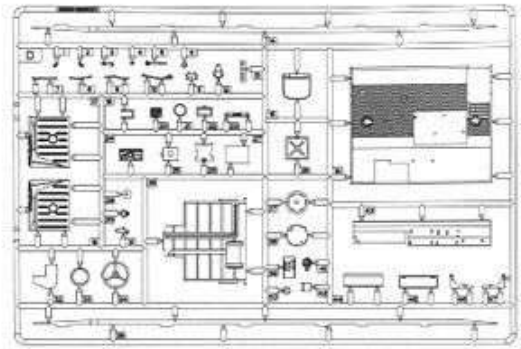
BX4



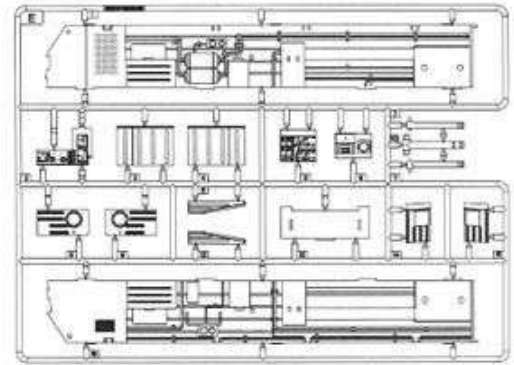
CX1



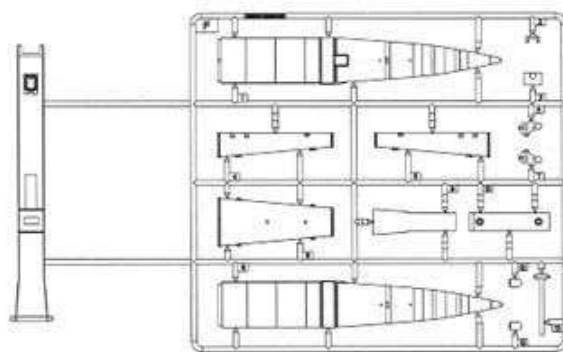
DX1



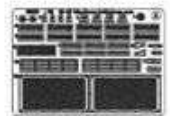
EX1



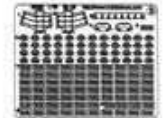
FX1



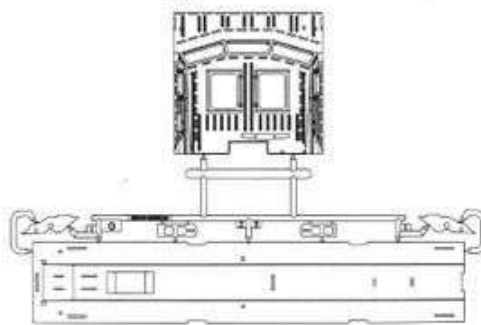
《蚀刻片 A》
PE-A



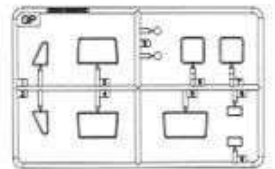
《蚀刻片 B》
PE-B



GX1

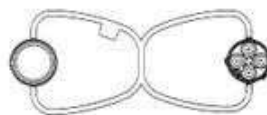


GPX1



铜丝
Copper-wire \varnothing 0.35X 110

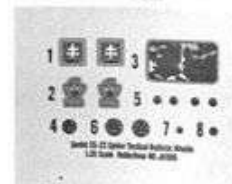
HX1



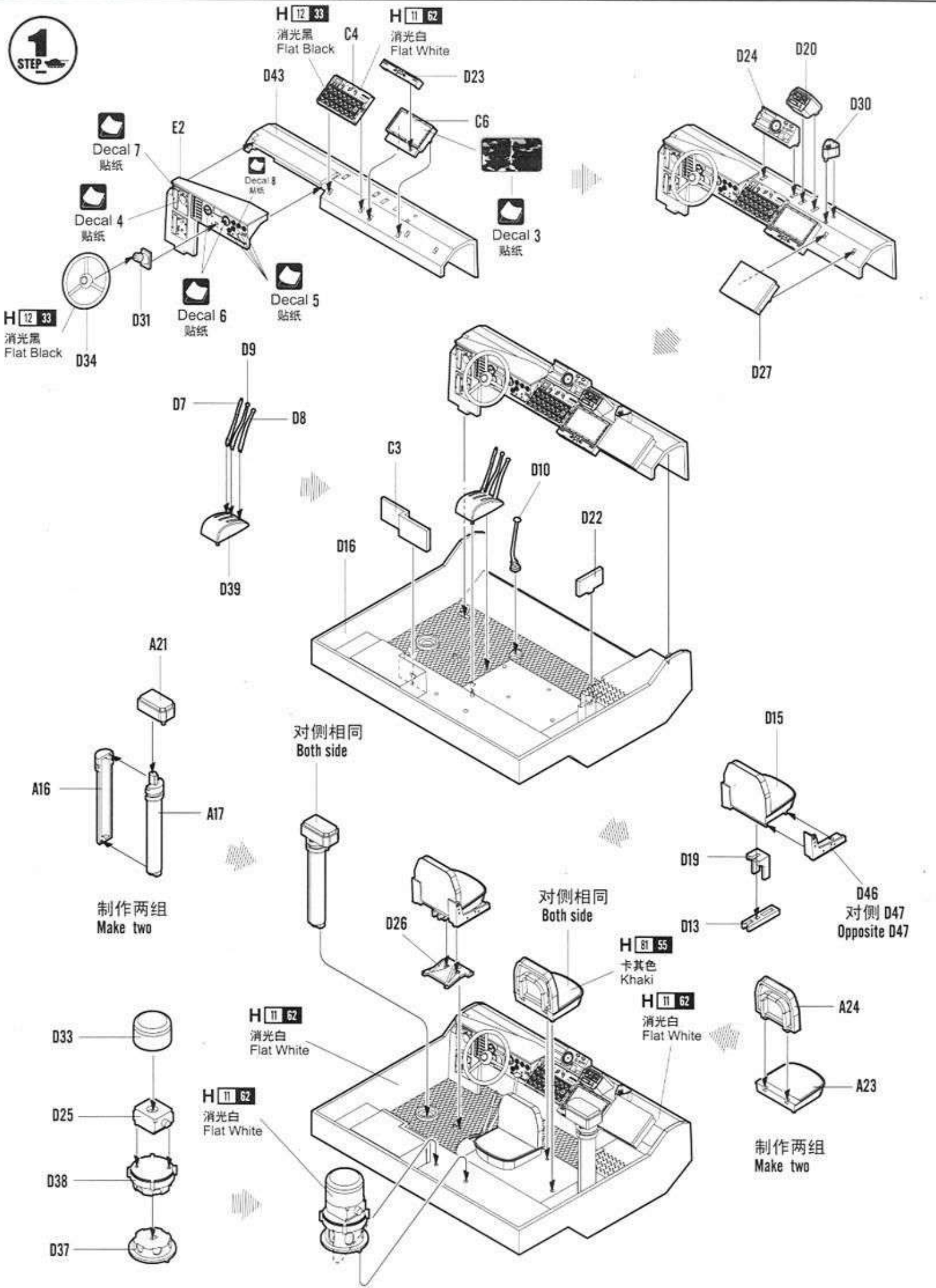
轮胎 X8
Tyre



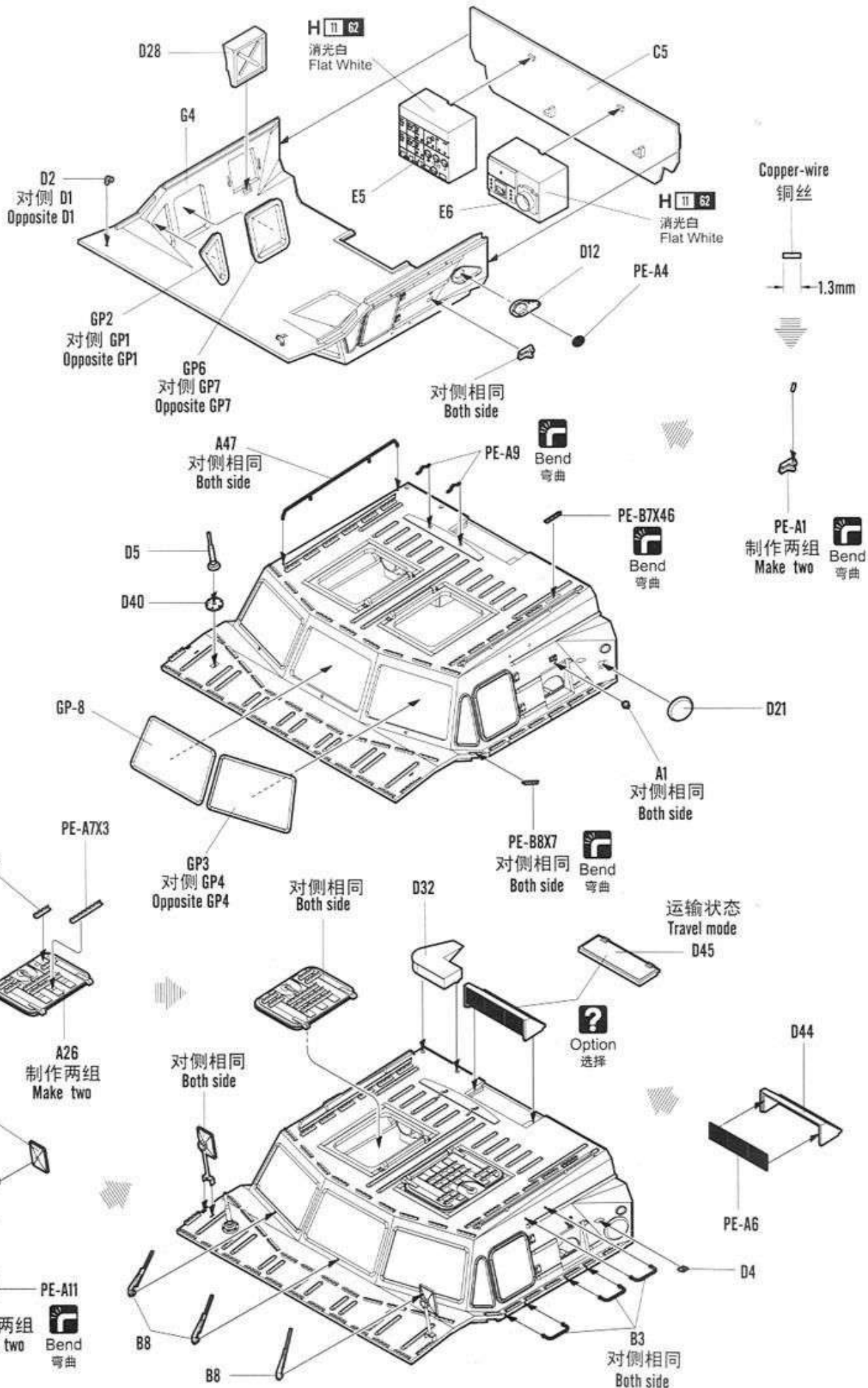
水贴纸
Decal

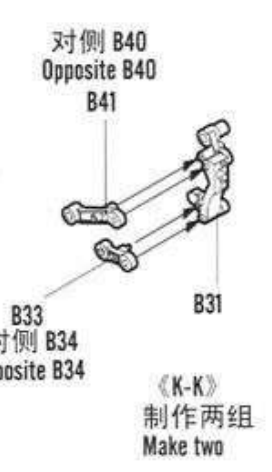
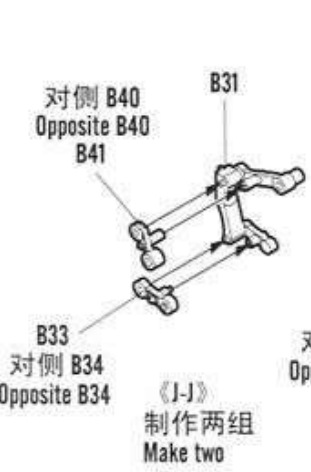
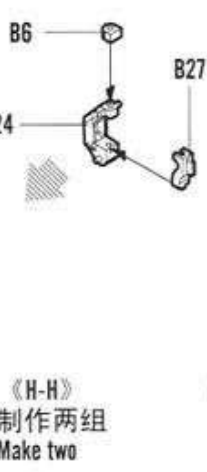
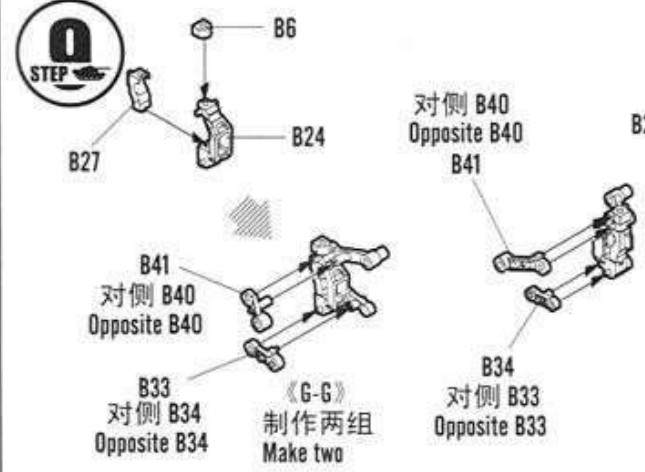
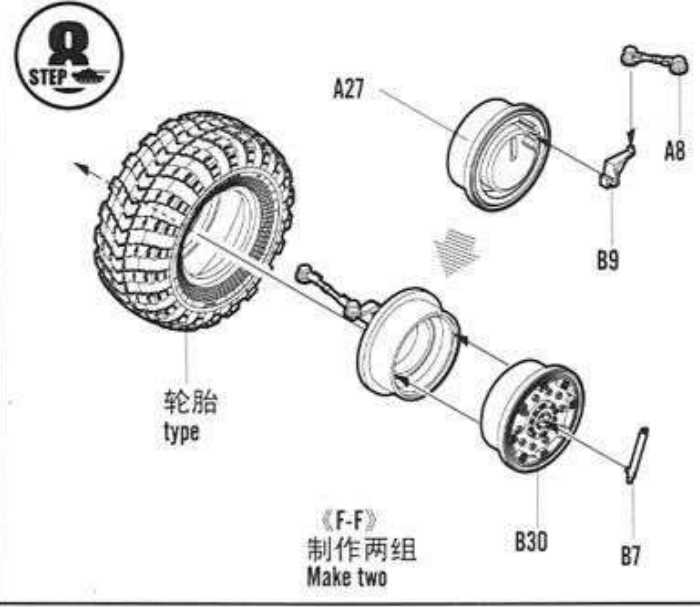
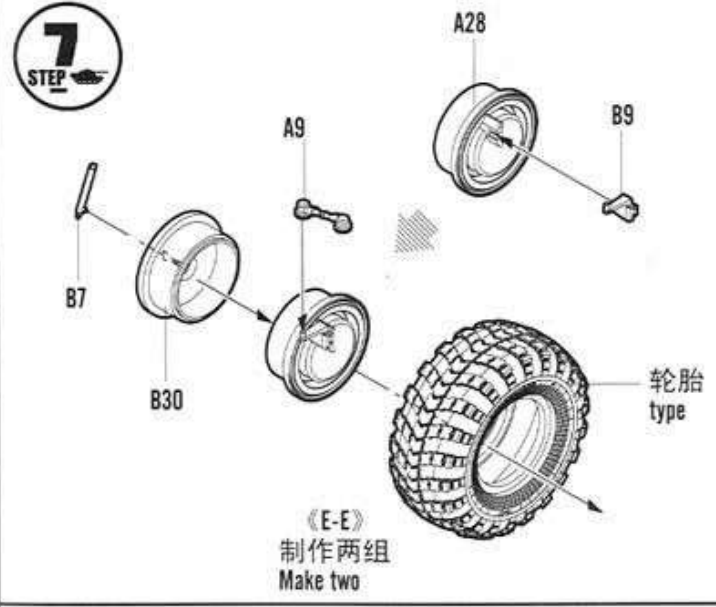
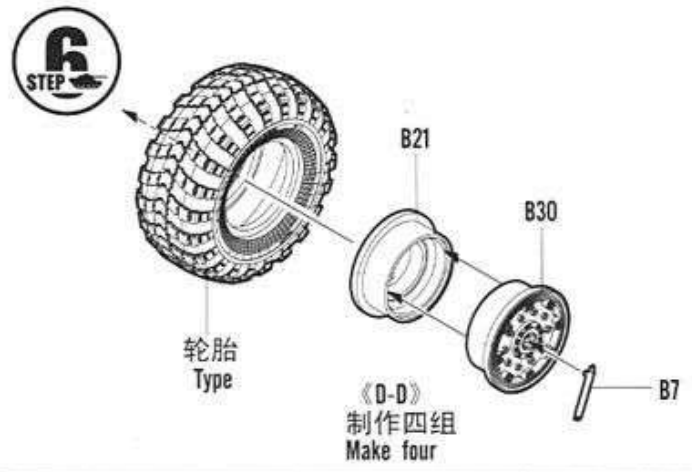
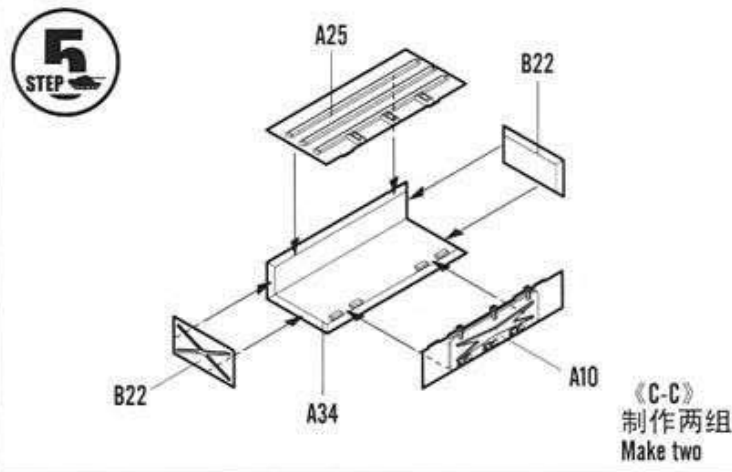
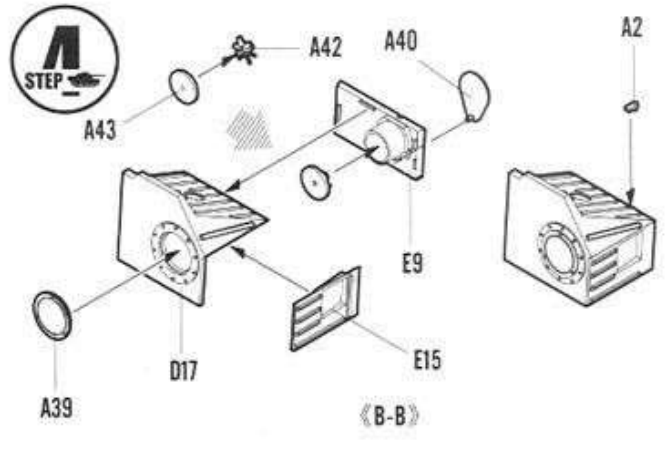
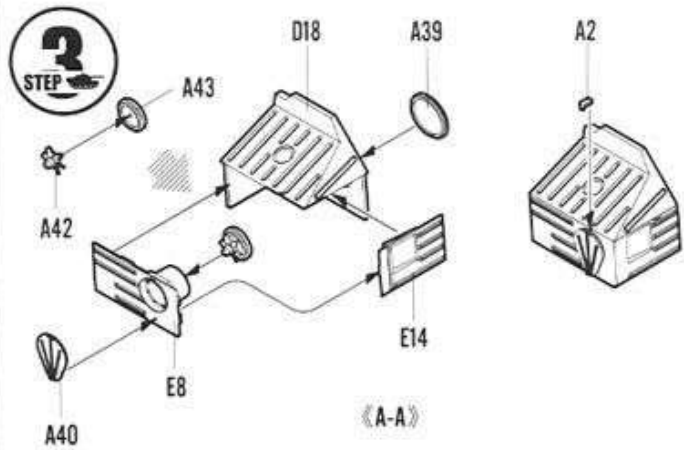


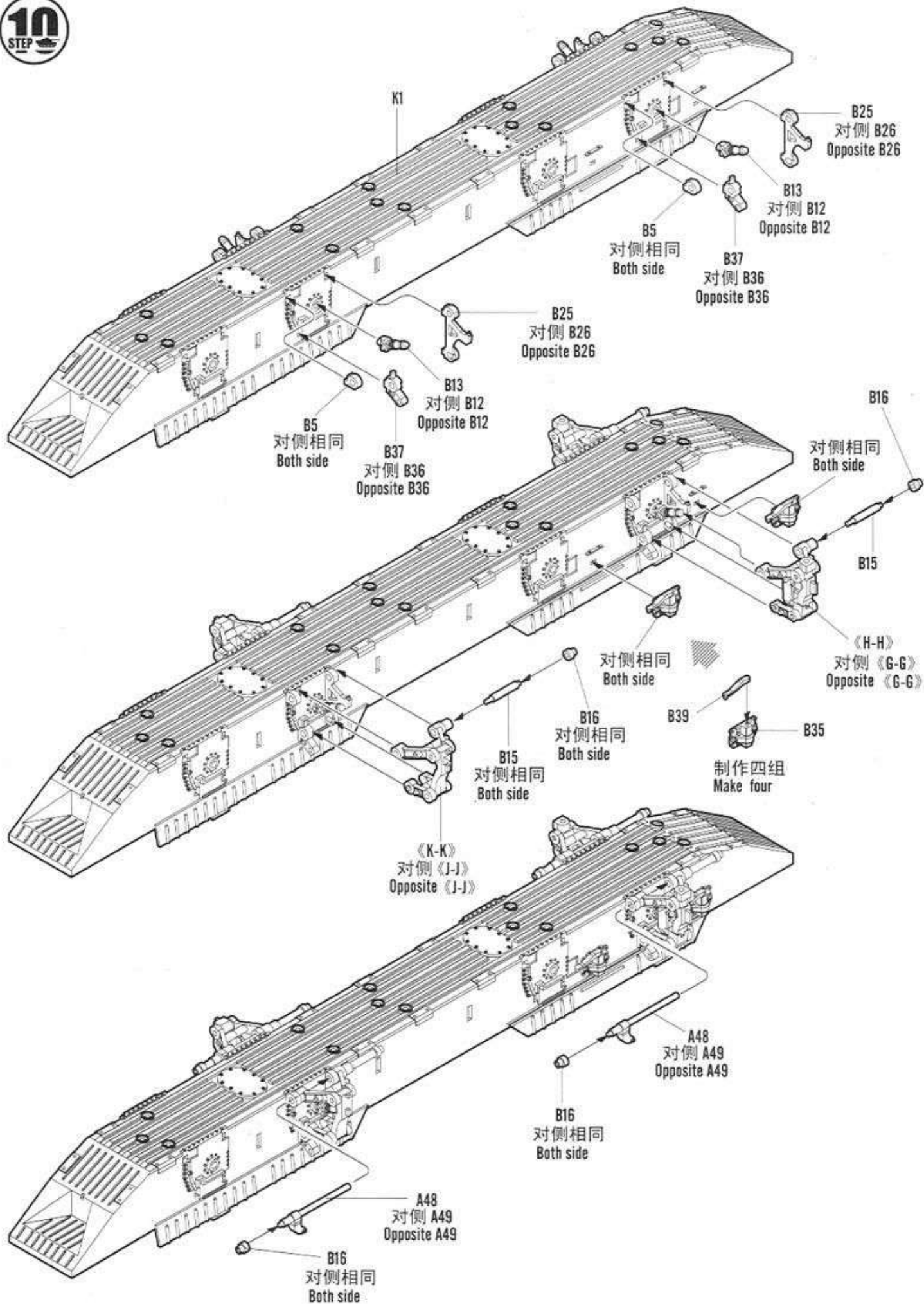
1
STEP



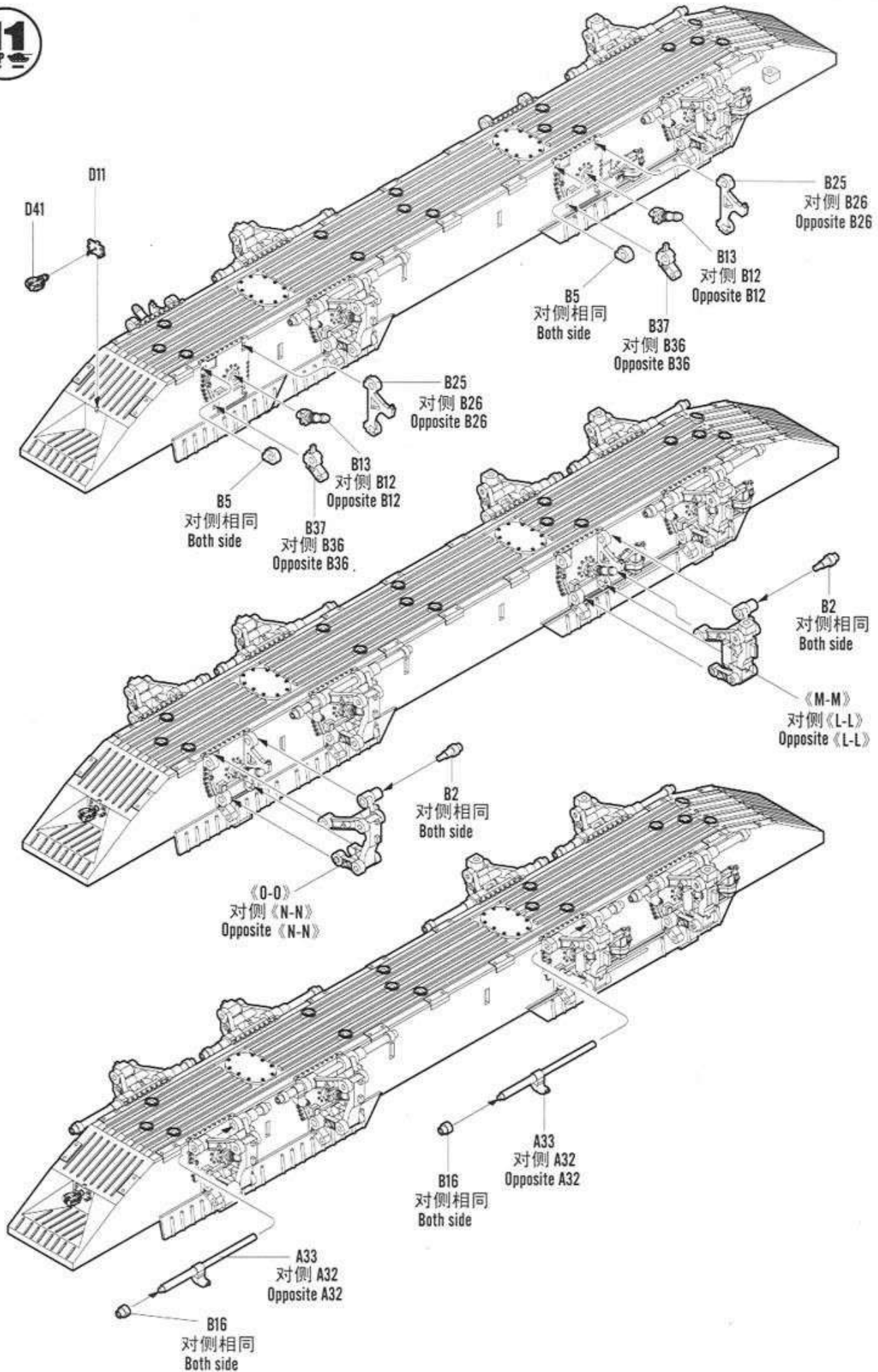
2
STEP

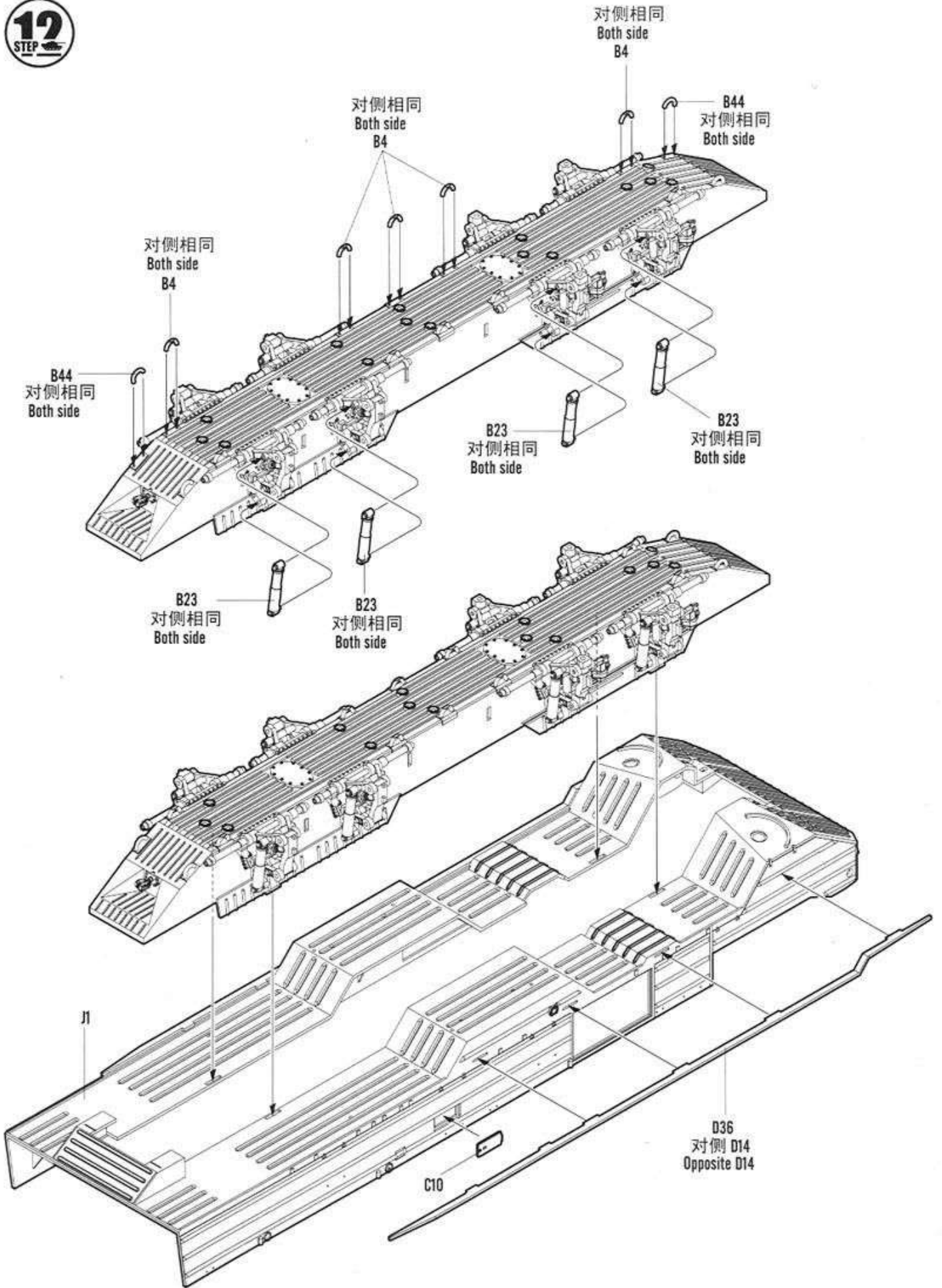


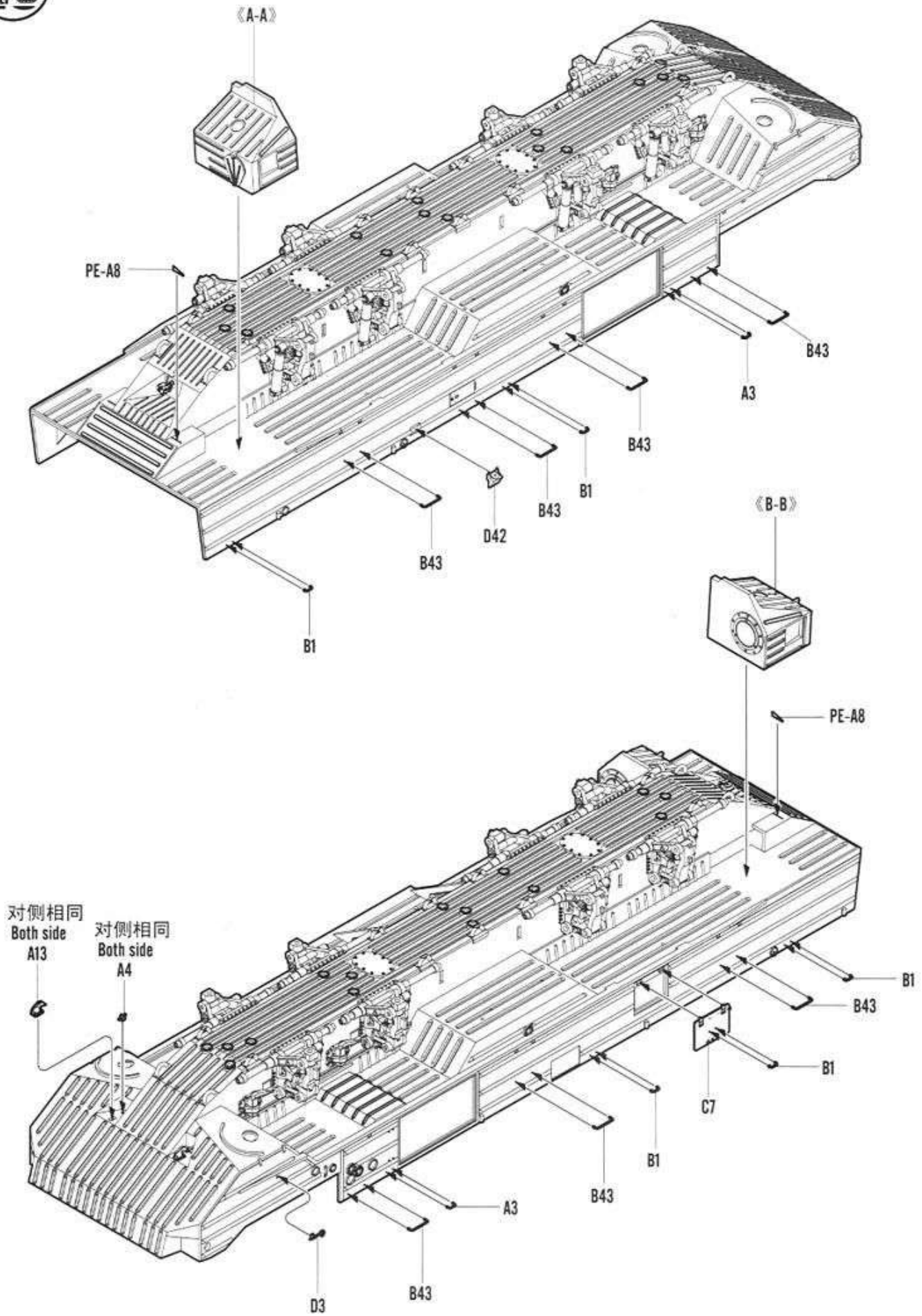


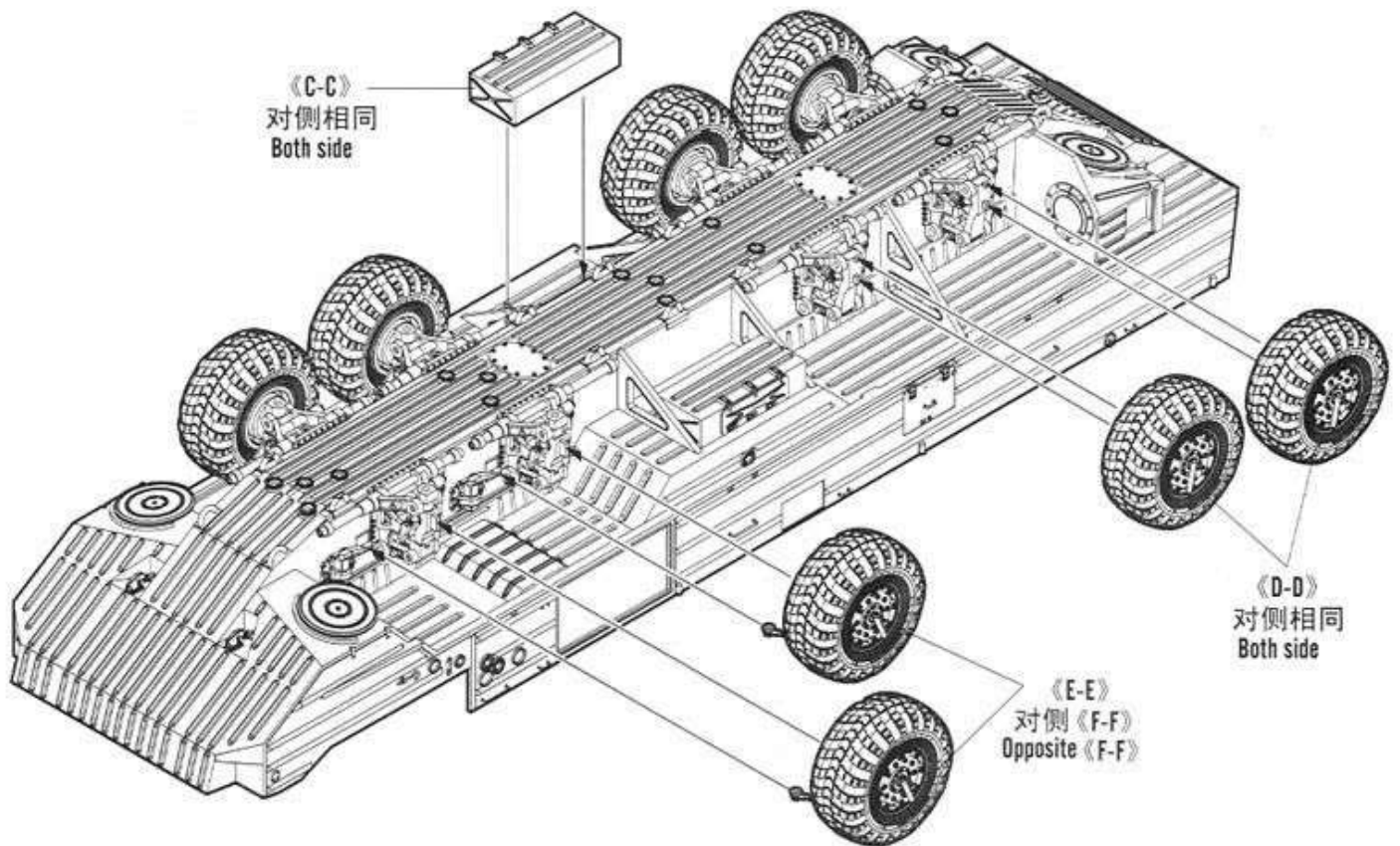
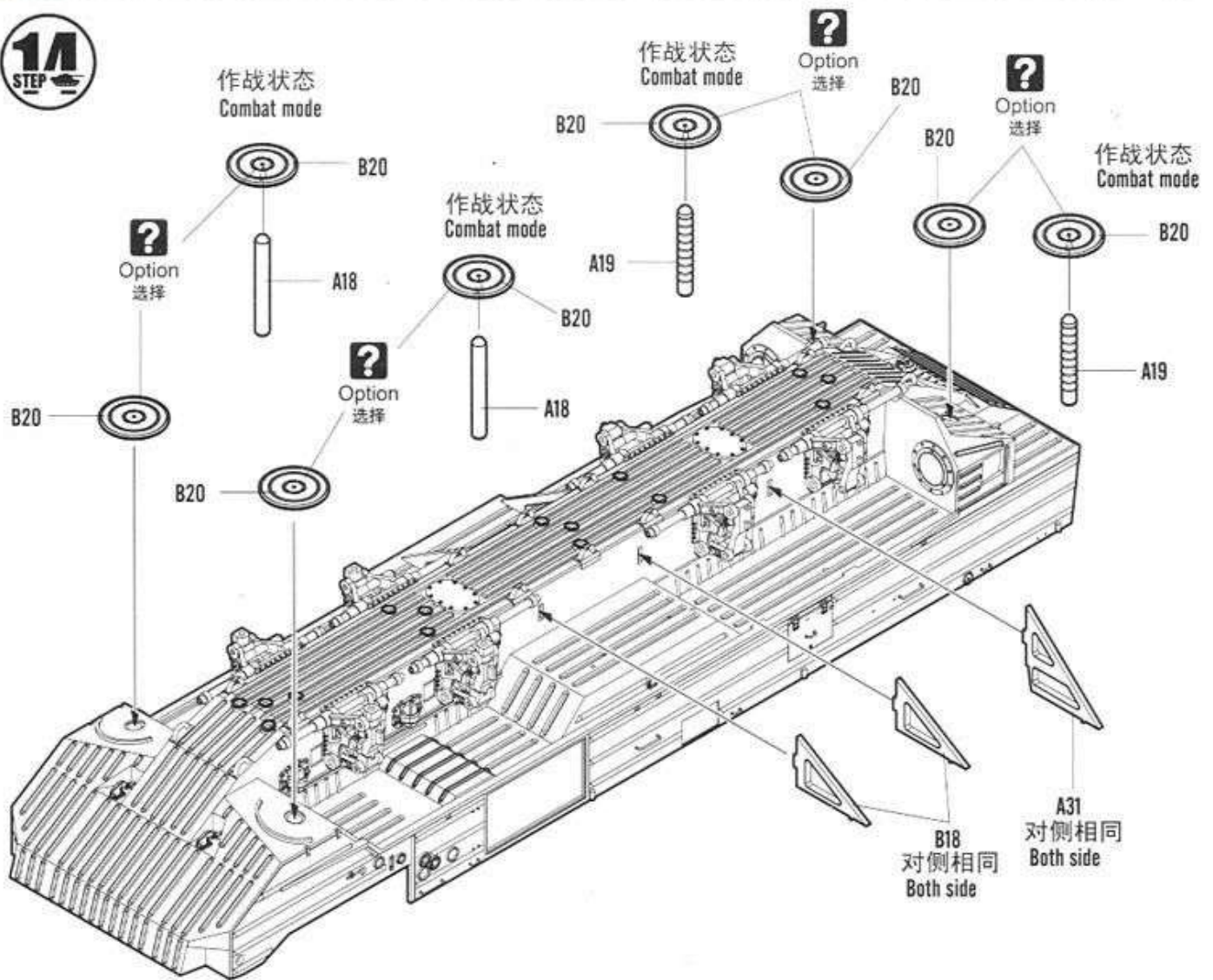


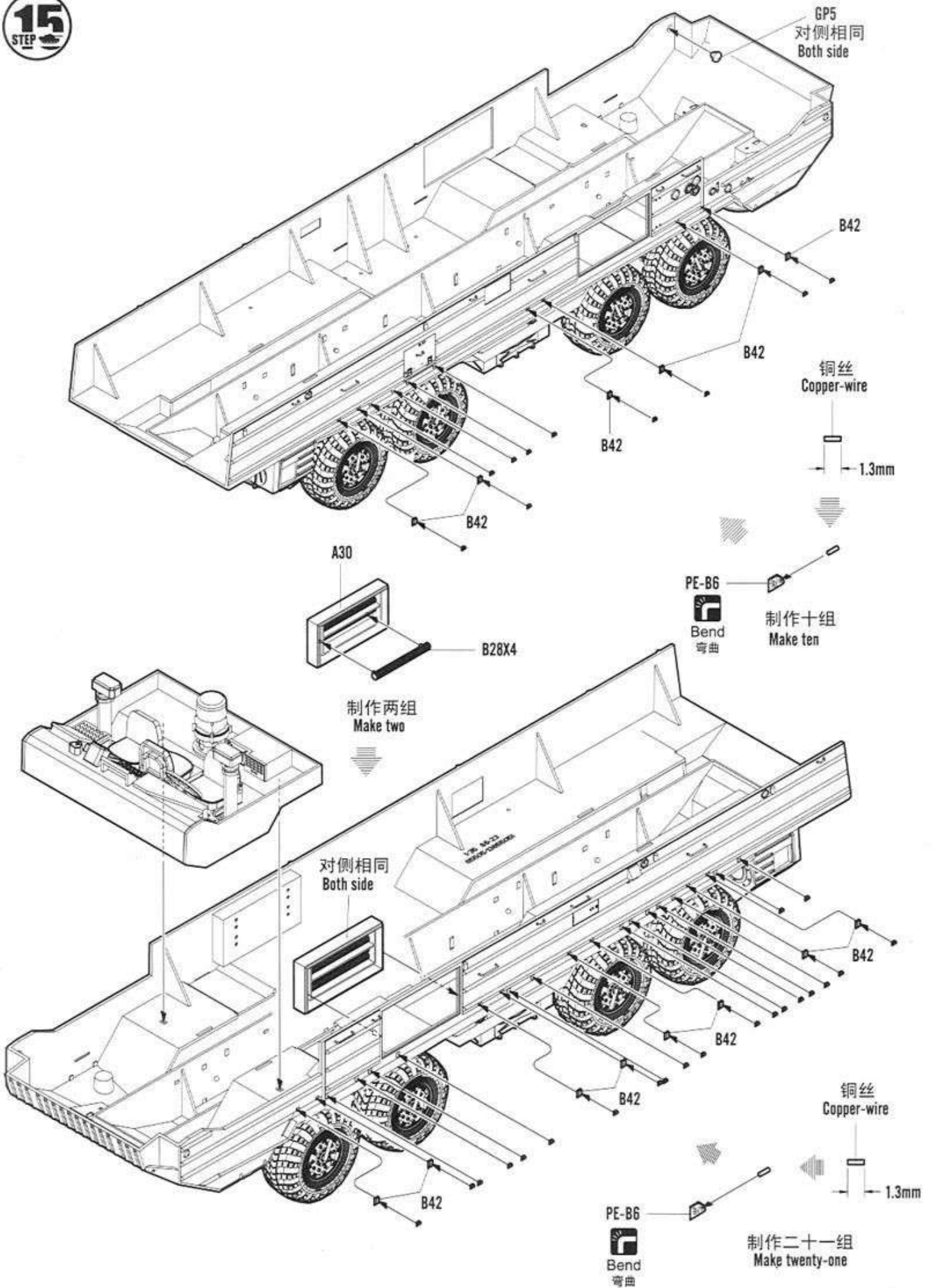
11
STEP





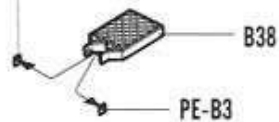






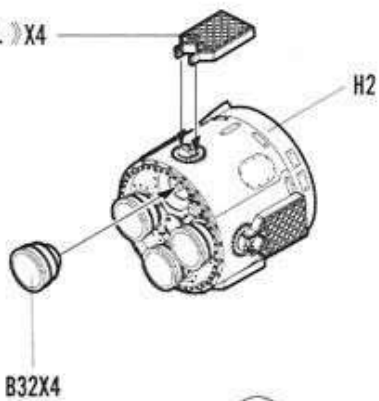
16
STEP

PE-B3



《L-L》
制作四组
Make four

《L-L》X4

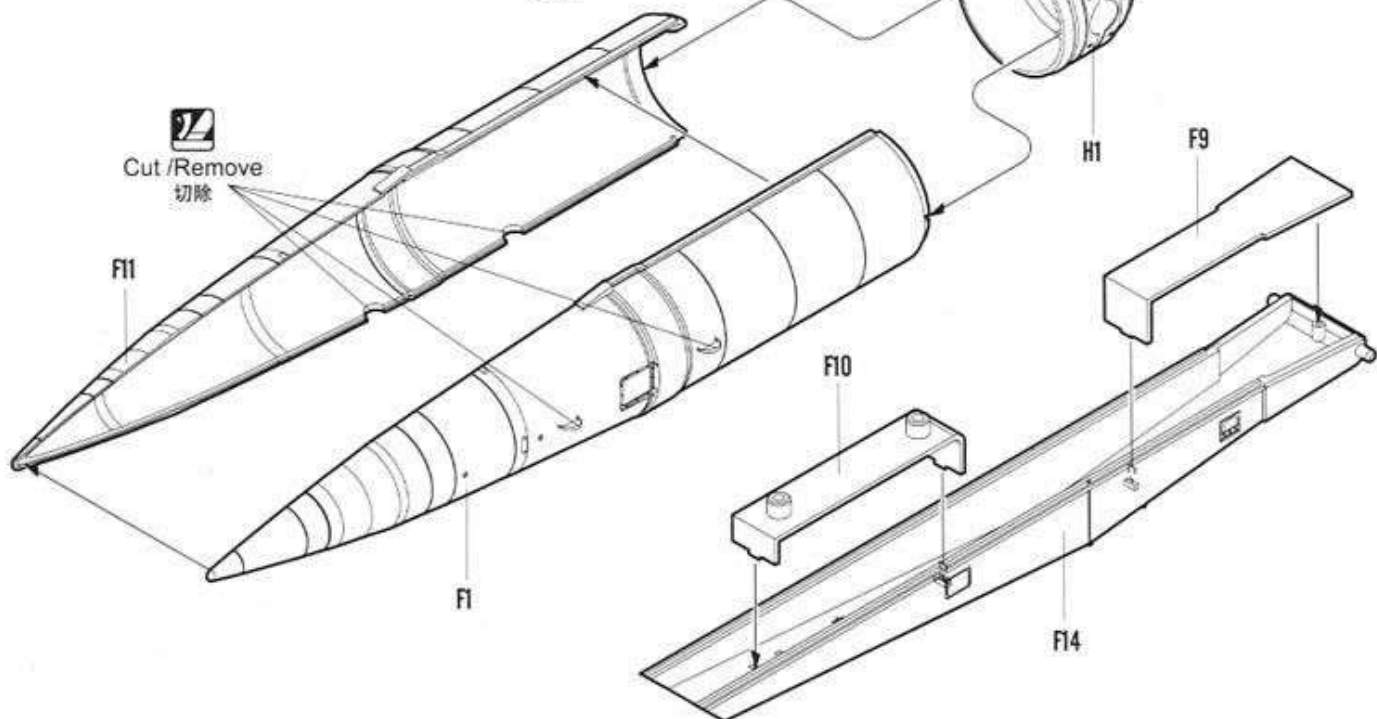


H2

B32X4

 Cut / Remove
切除

F11



H1

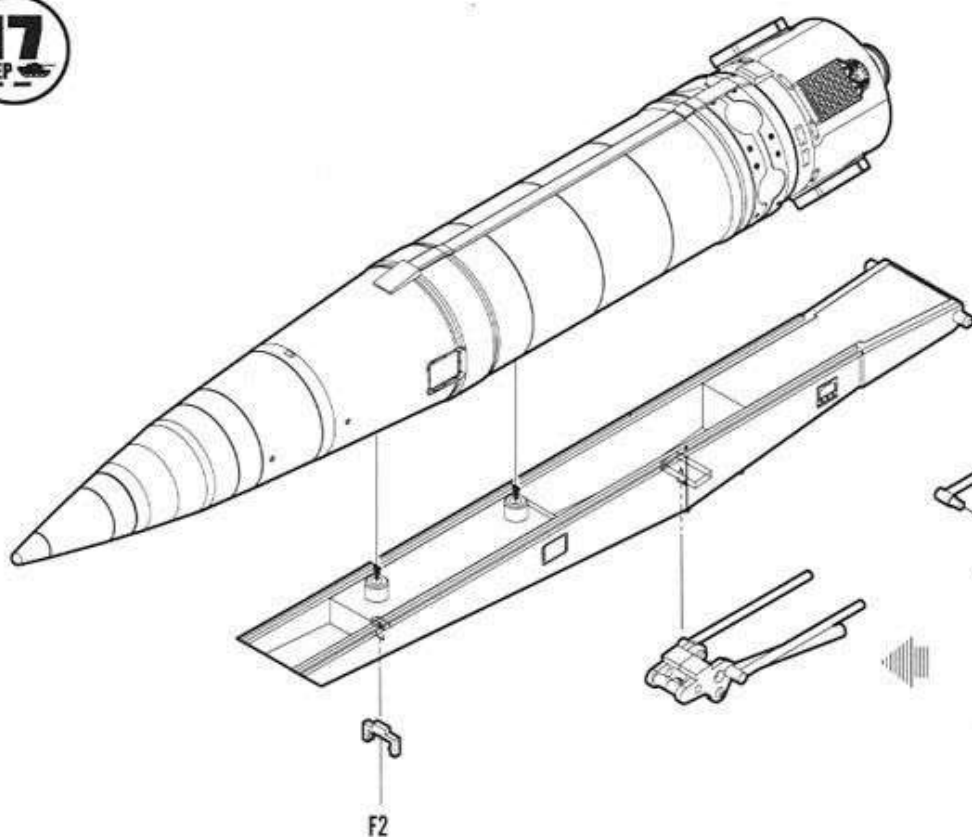
F9

F10


F1

F14

17
STEP




F2

 No cement
不涂胶水

A7

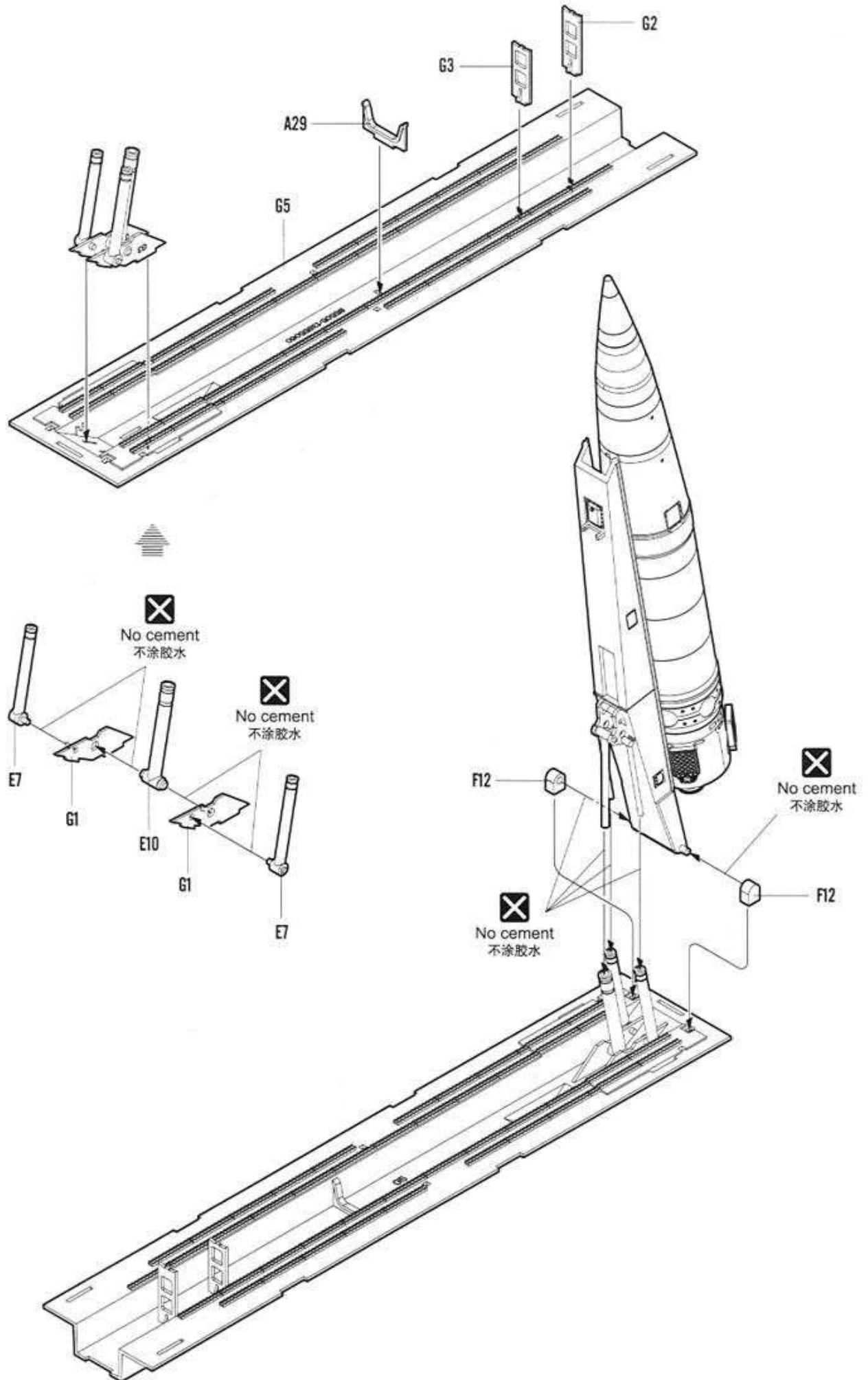
F13

 No cement
不涂胶水

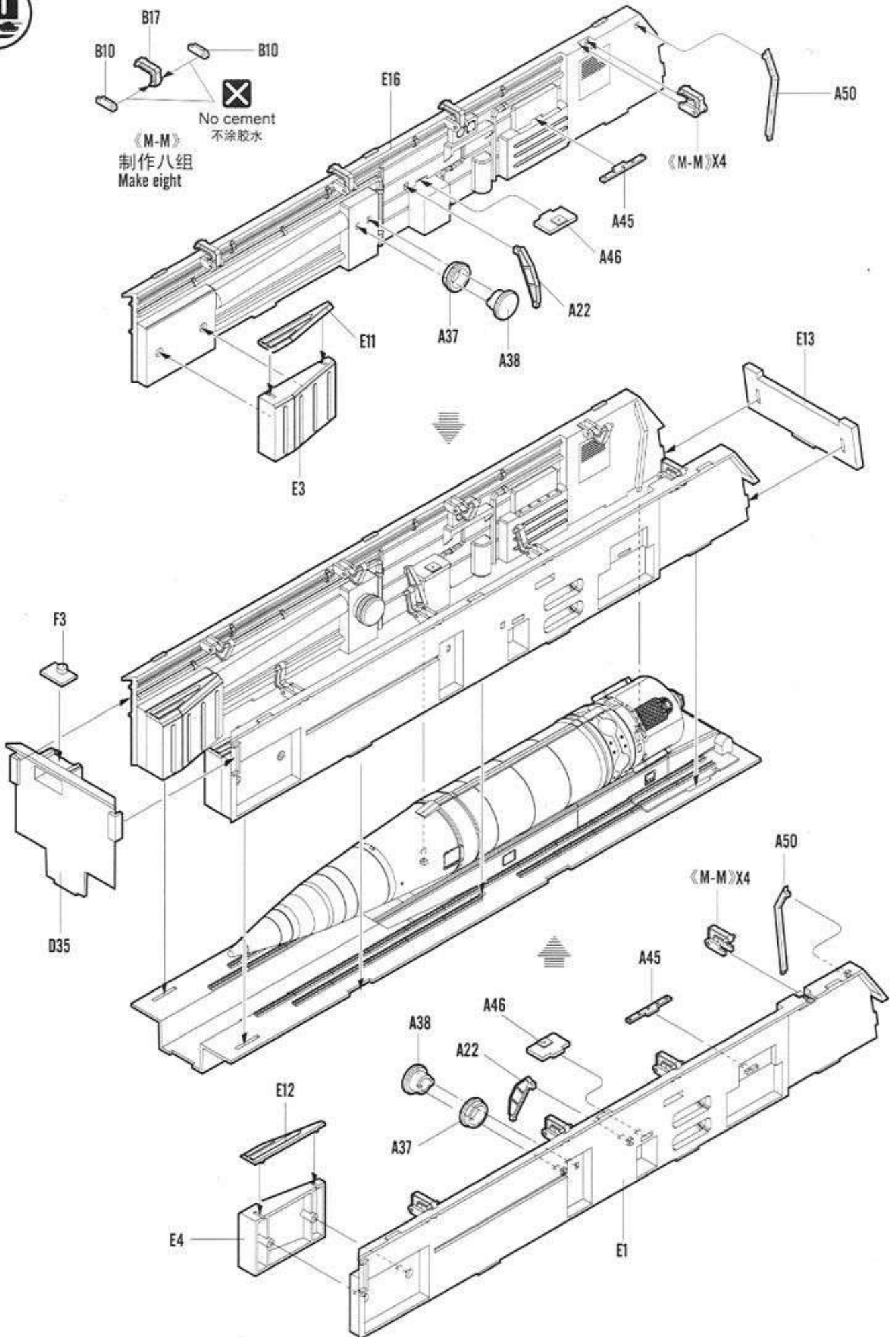
F6

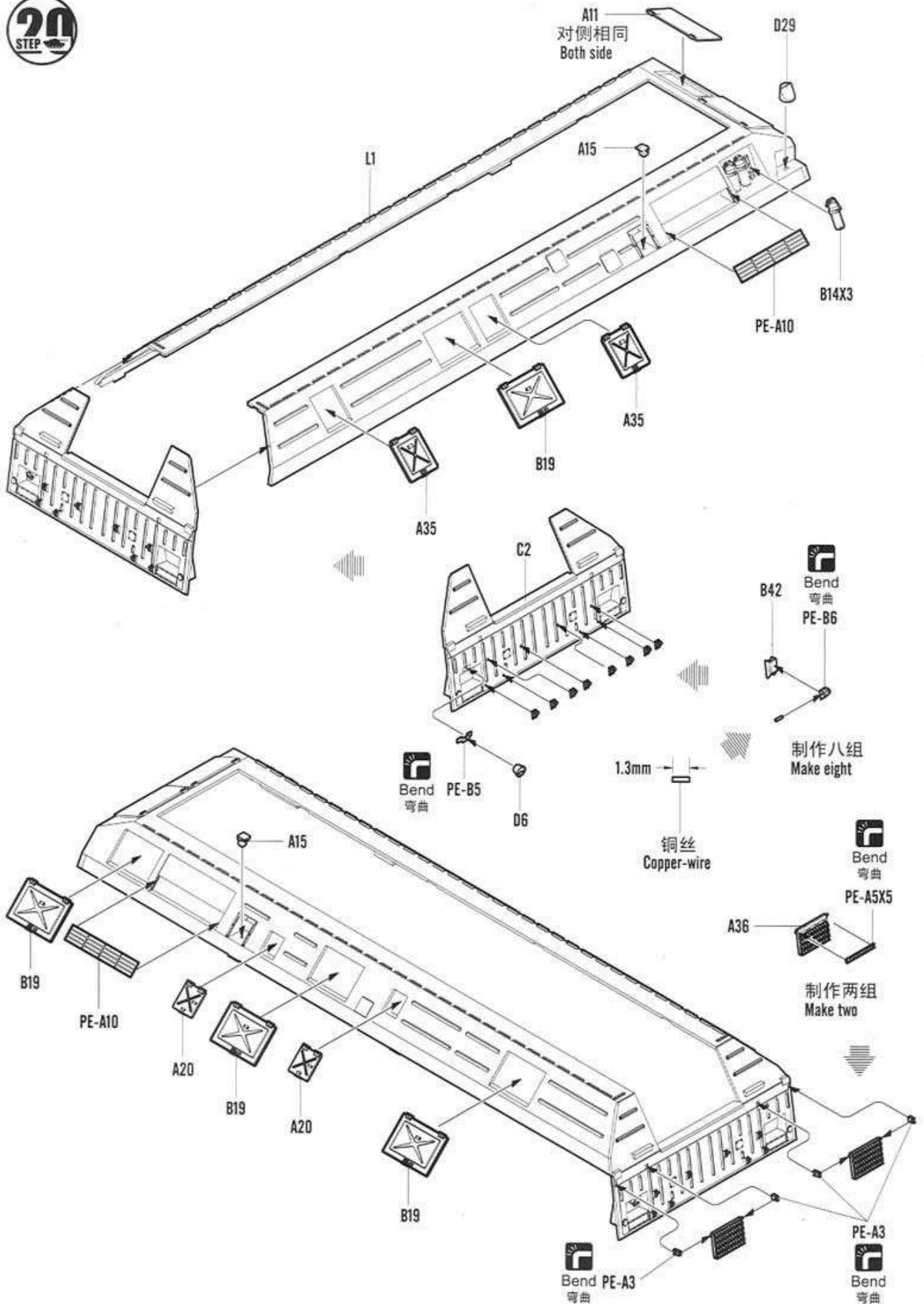
F7

A7



10
STEP

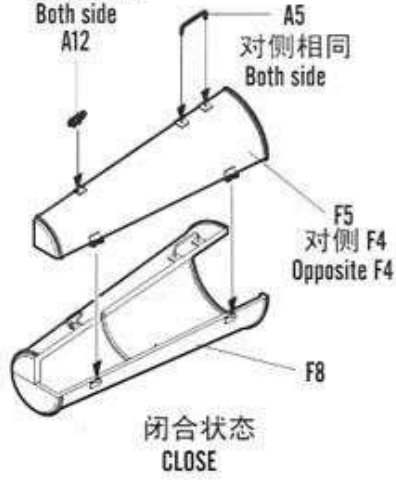




21
STEP

对侧相同
Both side
A12

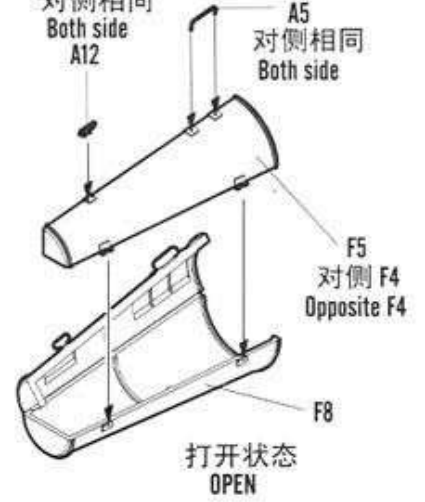
A5
对侧相同
Both side



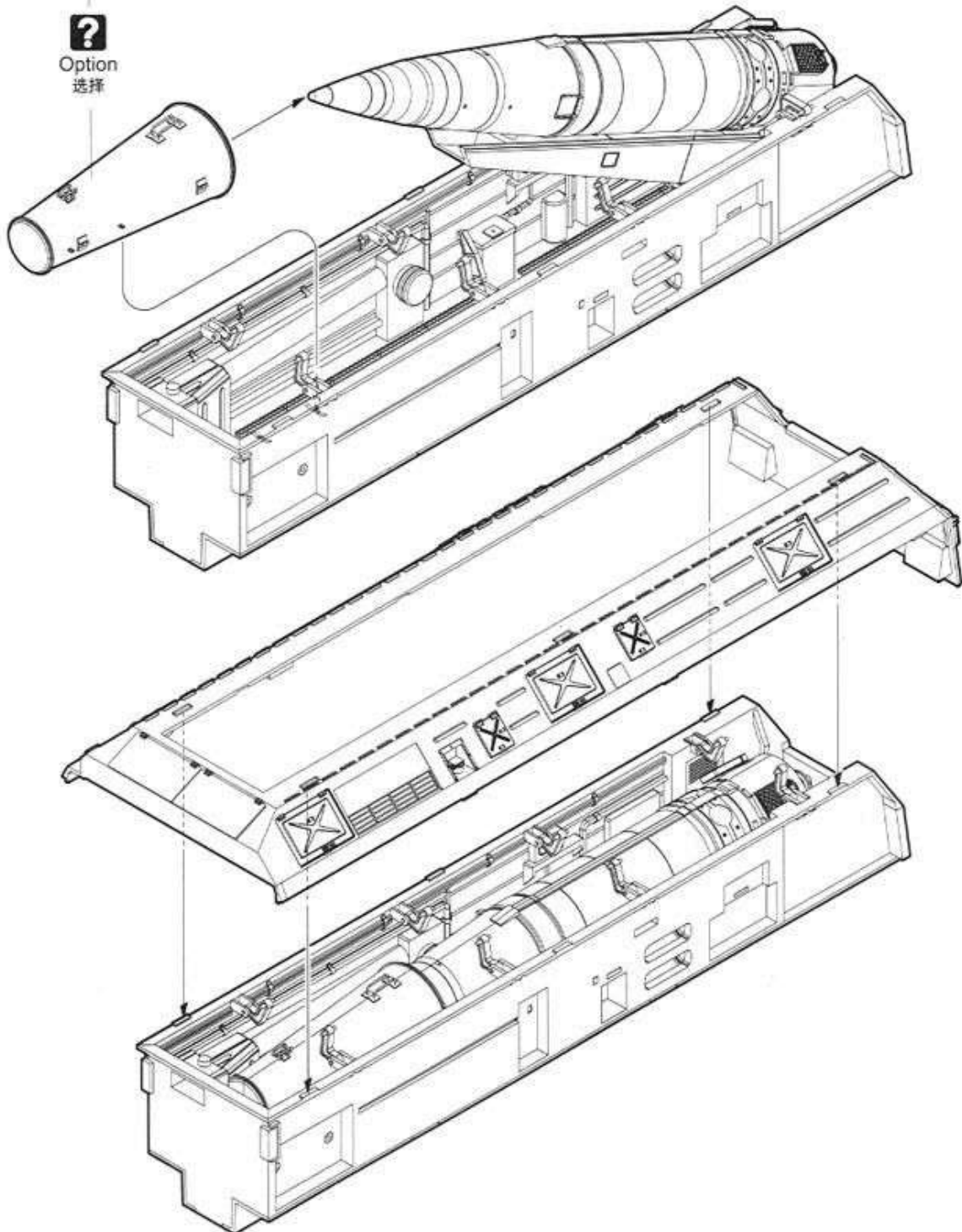
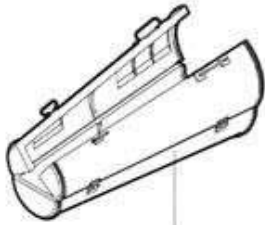
?
Option
选择

对侧相同
Both side
A12

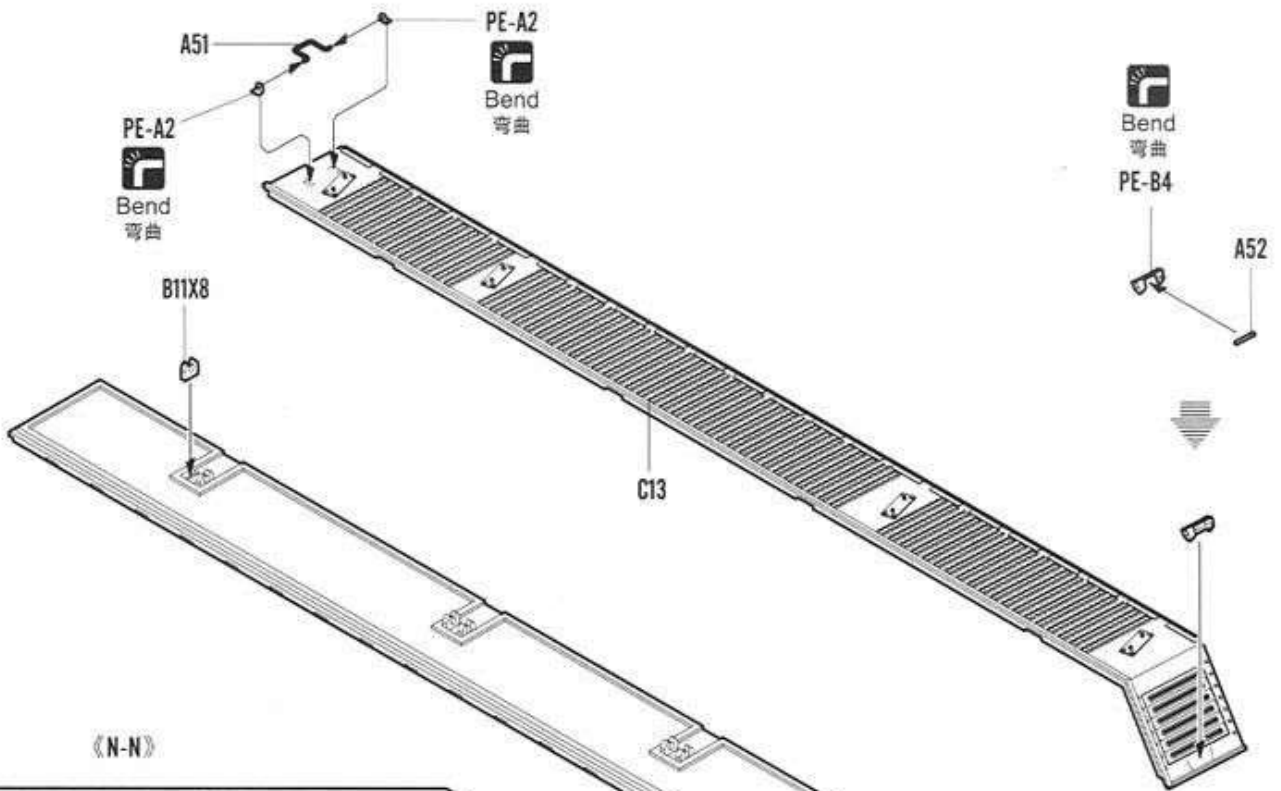
A5
对侧相同
Both side



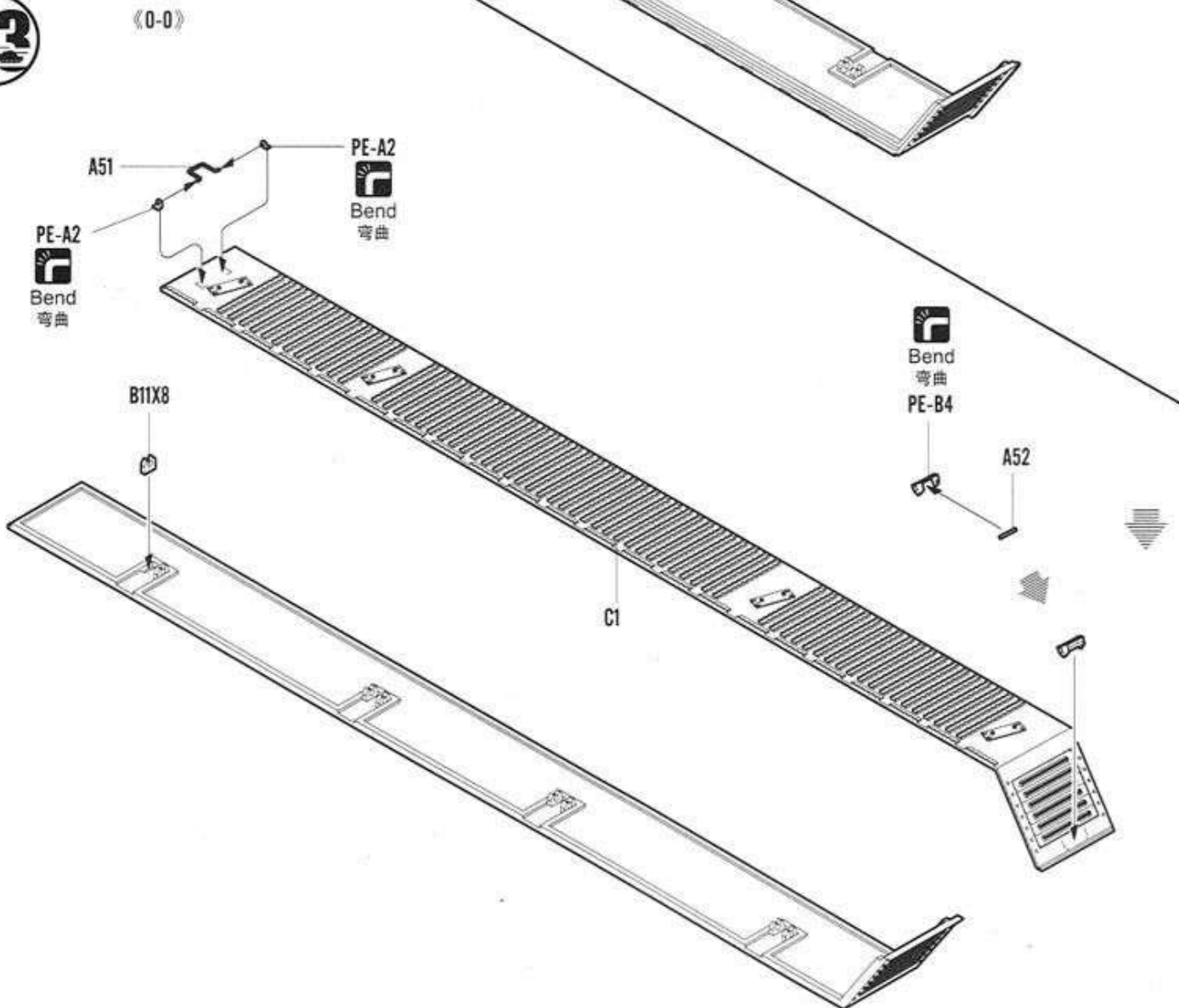
?
Option
选择

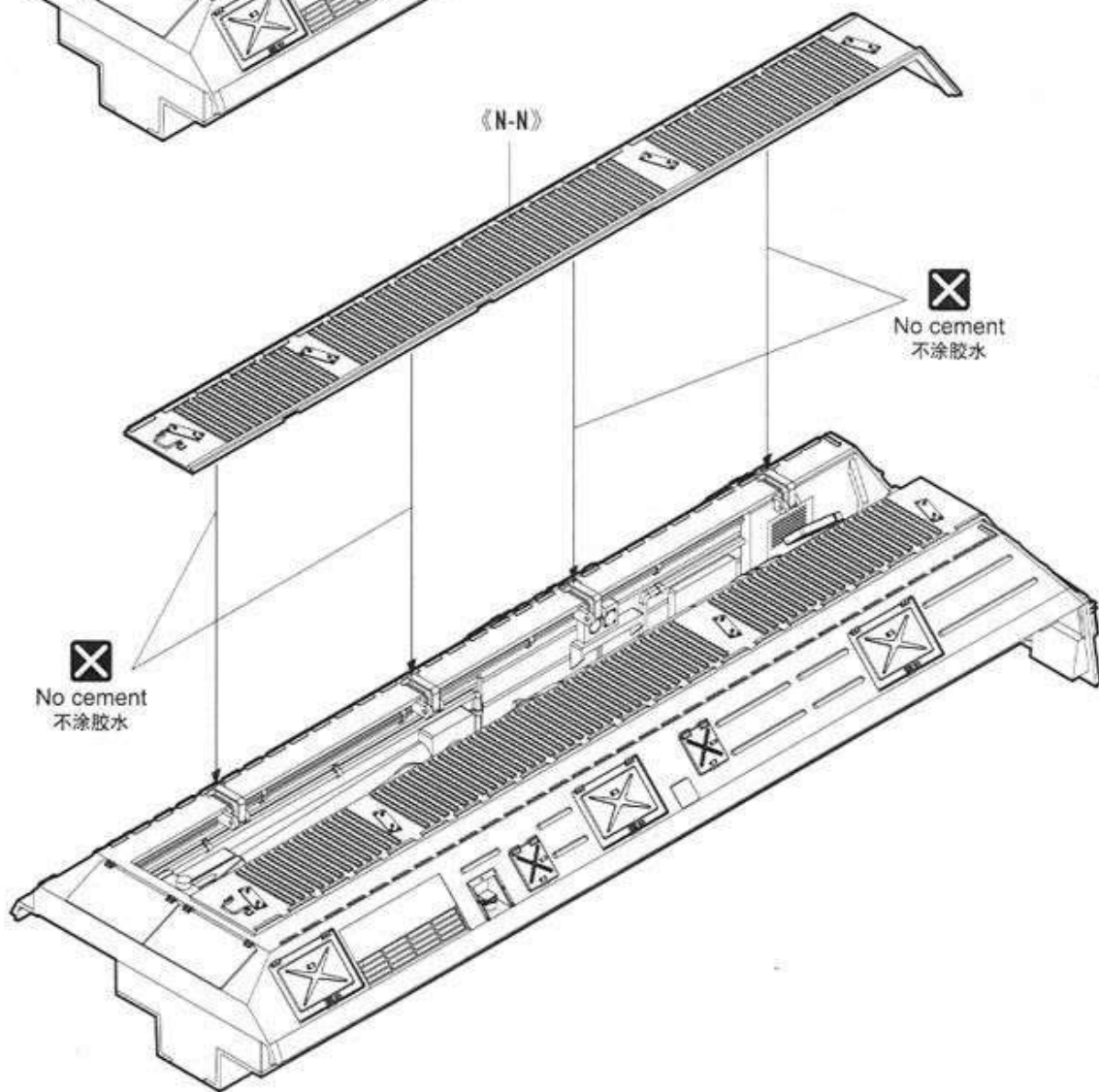
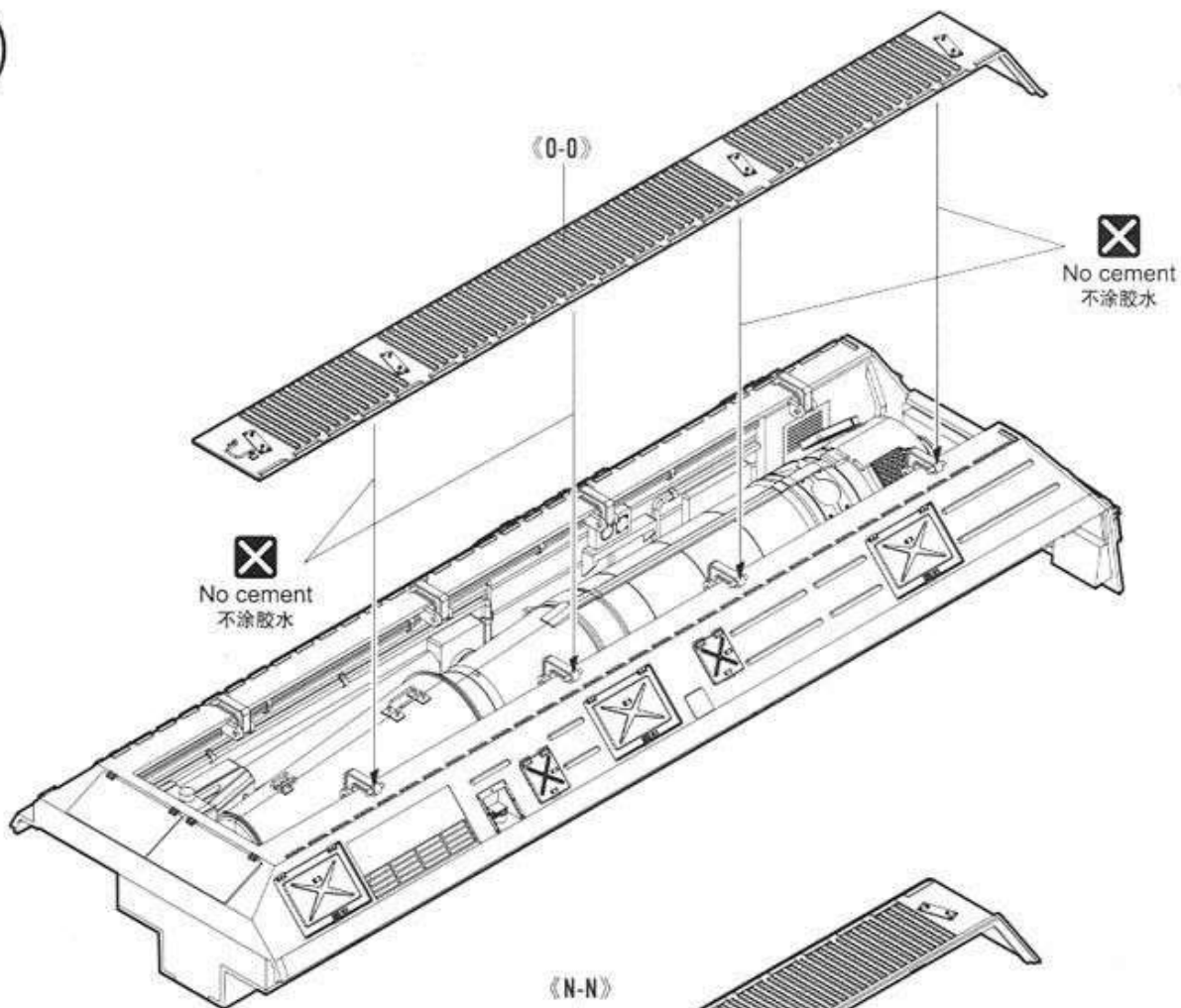


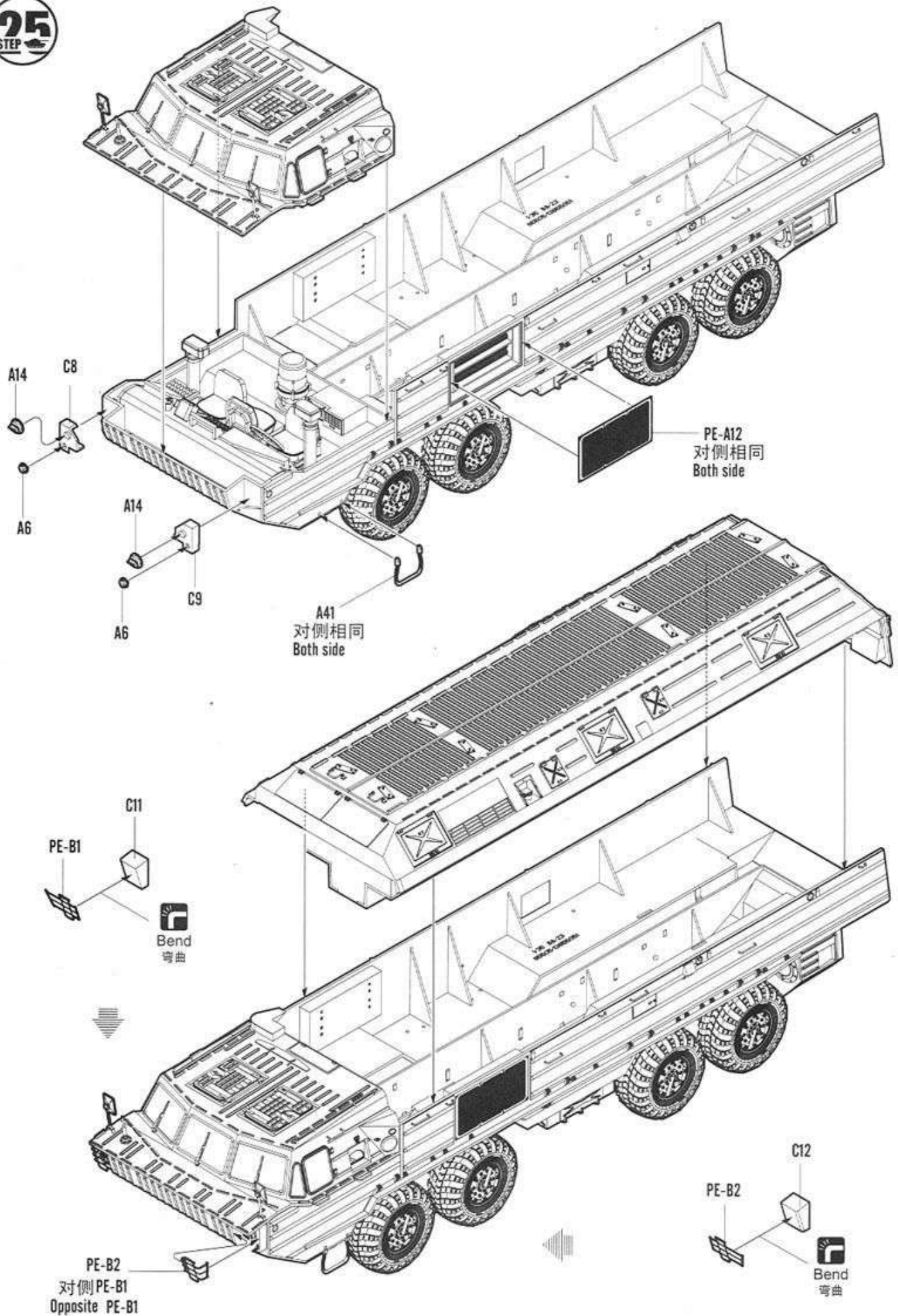
22
STEP



23
STEP

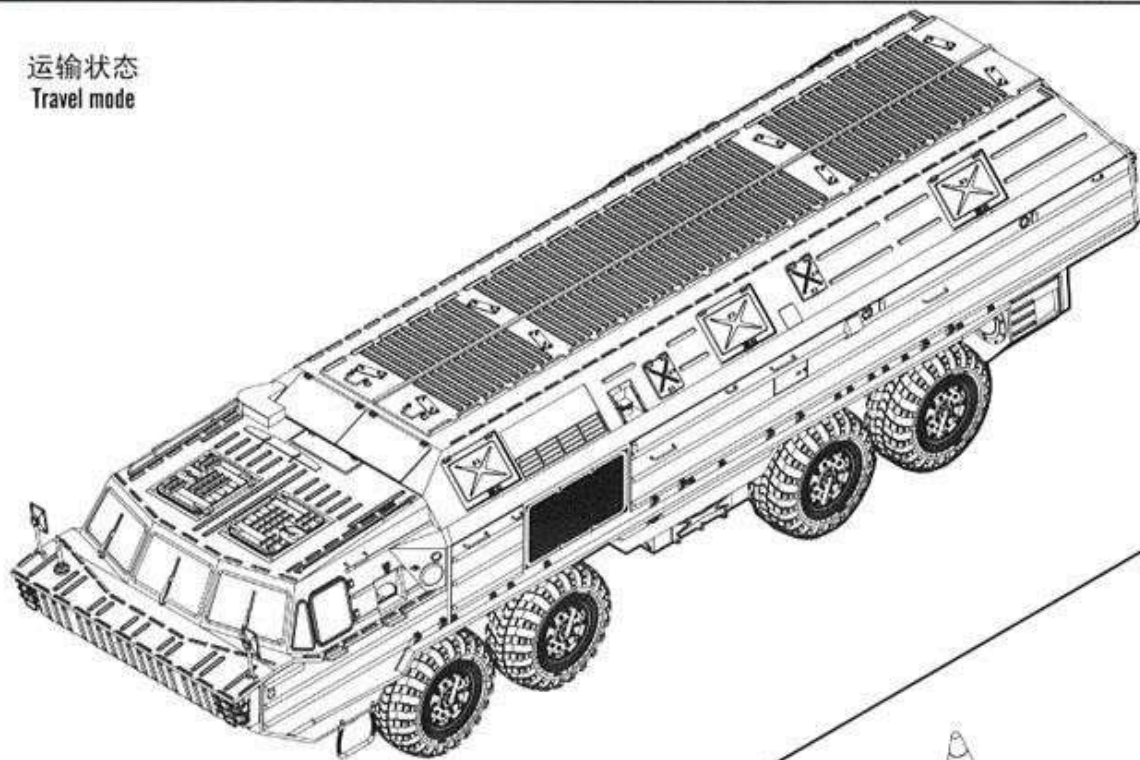






26
STEP

运输状态
Travel mode



27
STEP

作战状态
Combat mode

