

ROYAL CANADIAN AIR FORCE CF-188A "20 YEARS OF SERVICE" 1982-2002



カナダ空軍 CF-188A 「20年間のサービス」1982年-2002年

ROYAL CANADIAN AIR FORCE CF-188A "20 YEARS OF SERVICE" 1982 -2002

The multi-role CF-188 (CF-18 as it is commonly known) is a versatile and combat- proven fighter aircraft. Able to carry a multitude of weapons in various configurations, the Hornet can engage both ground and aerial targets on the same mission. Its twin engines generate 32,000 pounds of thrust, and the Hornet is capable of supersonic flight and operating day or night in all weather conditions.

As the Royal Canadian Air Force's frontline multi-role fighter, the modernized CF-18 is used for air defense, air superiority, tactical support, training, aerobatic demonstration and aerospace testing and evaluation.

The Royal Canadian Air Force CF-188 Hornet 20 Anniversary Hornet of the operational use of the F-18 Hornet is the Demo bird for the 2002 airshow circuit. It is a tradition the last few years with the CAF 410 Cougar Squadron coming up with ever more attractive paint schemes.

CAUTION

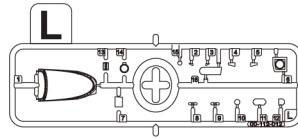
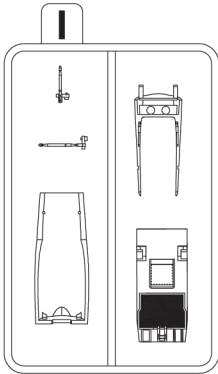
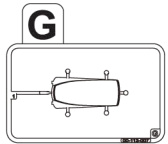
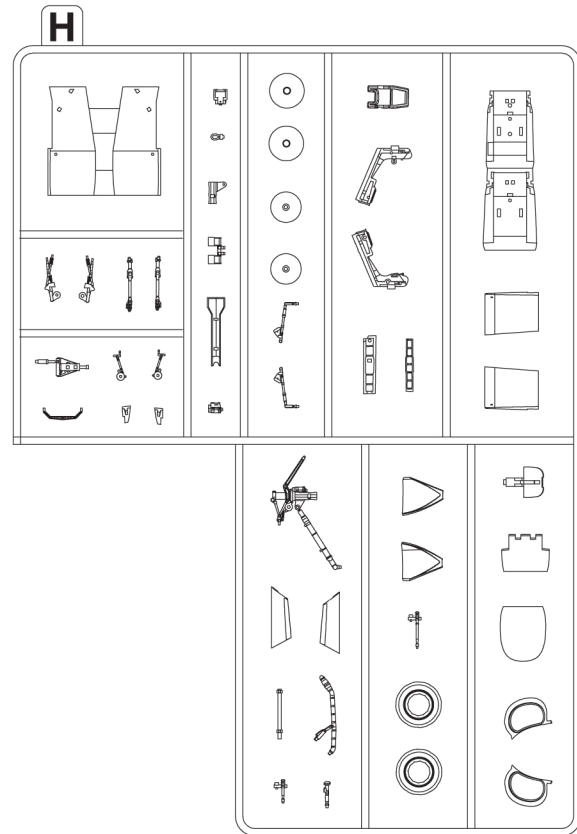
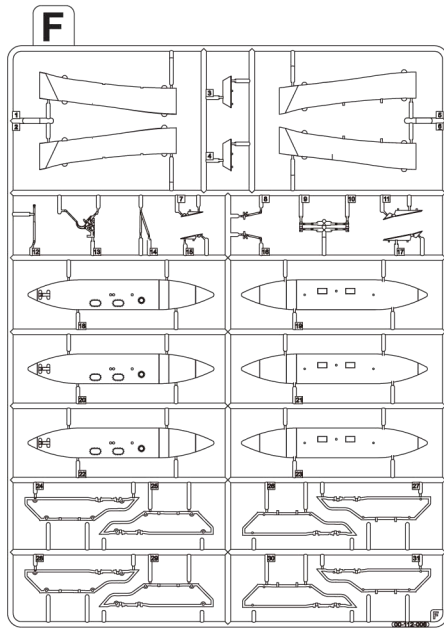
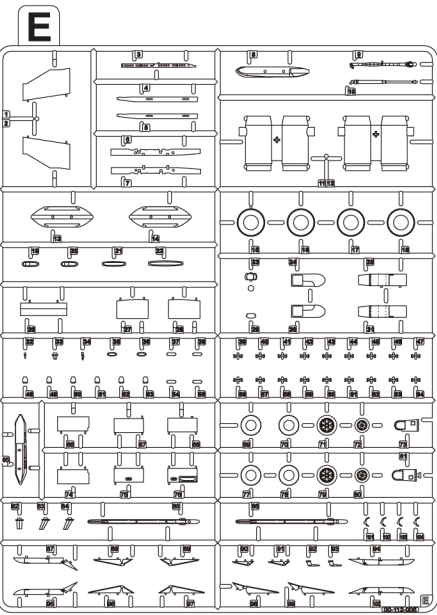
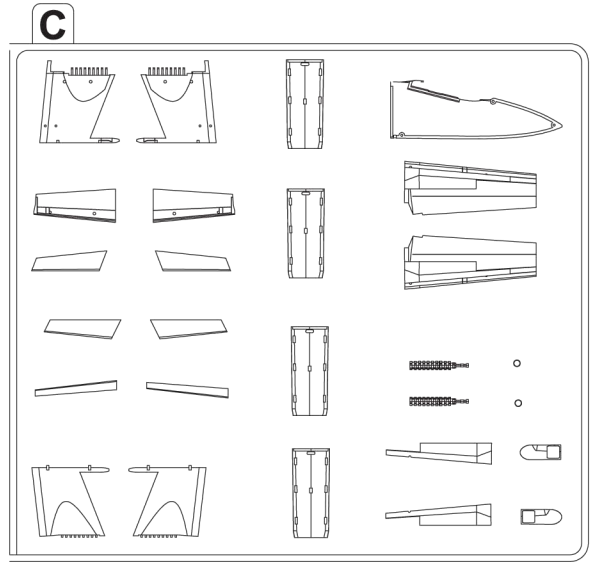
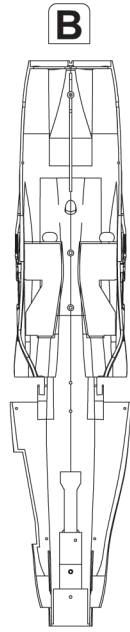
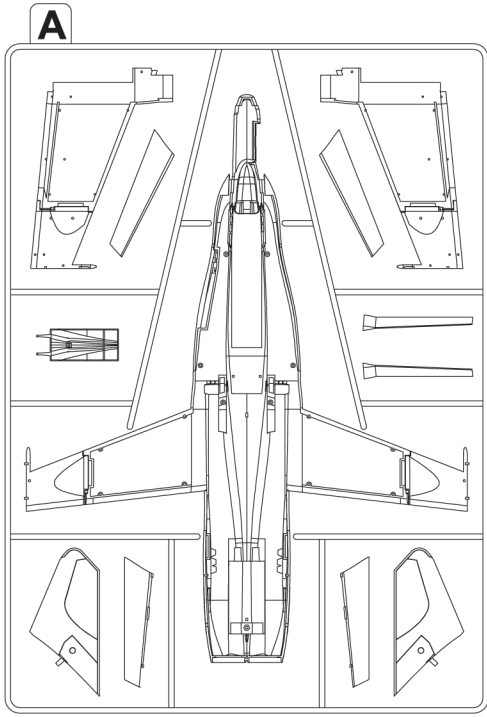
- *Read carefully and fully understand the instructions before commencing assembly.
- *Keep out of reach of children. Children must not be allowed to put any parts in their mouths, or pull plastic bag over their heads.
- *When using adhesives and paints, please make sure not to use them in closed room or near the fire.
- *When assembling this kit, tools including knives are used. Extra care should be taken to avoid injury.

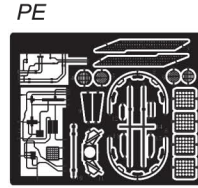
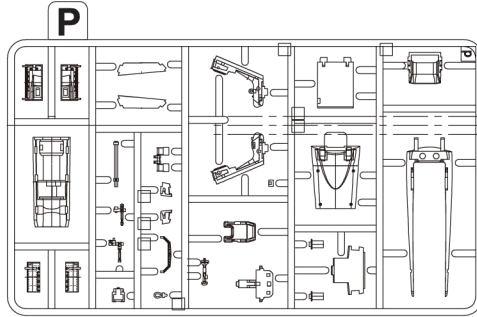
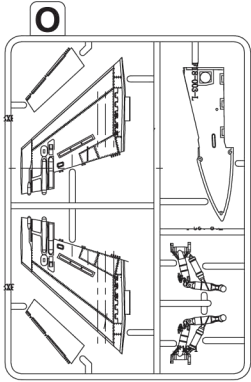
WARNING: CONTAIN SMALL PARTS NOT FOR CHILDREN UNDER 14 YEARS OF AGE.



TOOLS RECOMMENDED







AFTERMARKET SERVICES CARD

When requesting replacement parts, please take or send this form to your local dealer so that the parts required can be correctly identified. Please note that specifications and availability are subject to change without notice.

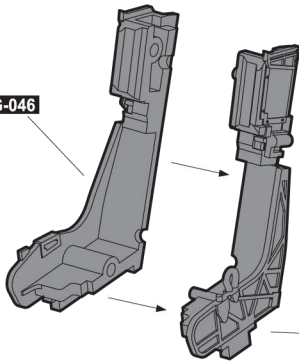
or visit <http://www.kineticmodel.com> for latest information.

For more information, please contact services@kineticmodel.com

Part Code	K48070	Qty	Item
00-112-001	1/48 F/A-18 UPPER FUESLAGE A	1	A
00-112-002	1/48 F/A-18 LOWER FUESLAGE B	1	B
00-112-003	1/48 F/A-18 FLAPS C	1	C
00-112-005	1/48 F/A-18 WHEEL, PYLONS E	1	E
00-112-006	1/48 F/A-18 FUEL TANKS, PYLON F	1	F
00-112-007	1/48 F/A-18 A/C CANOPY G	1	G
00-112-008	1/48 F/A-18 COCKPIT, LANDING GEAR H	1	H
00-112-009	1/48 F/A-18 A/C PARTS I	1	I
00-112-012	1/48 F/A-18 COMMON CLEAR PARTS L	1	L
00-112-015	1/48 F/A-18 A/B VERTICAL TAIL PART O	1	O
00-112-016	1/48 F/A-18 B/D PARTS P	1	P
01-112-48079	1/48 CF-188A 2017 DEMO	1	
03-112-48079	1/48 CF-188A MANUAL	1	
06-112-48031	1/48 F/A-18AC	1	PE

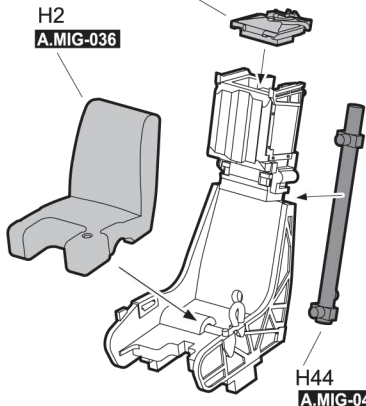
1

H4
A.MIG-046



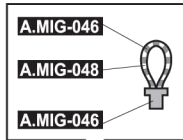
H5
A.MIG-046

H2
A.MIG-036



H12
A.MIG-036

H44
A.MIG-046



A.MIG-046

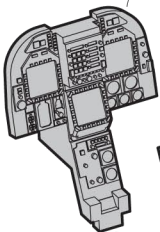
A.MIG-048

A.MIG-046

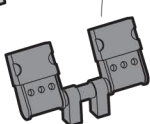
H13

2

H29
A.MIG-208



H15
A.MIG-045



H43
A.MIG-046

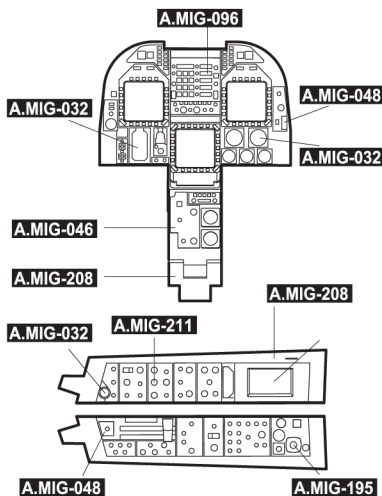


H23
A.MIG-208

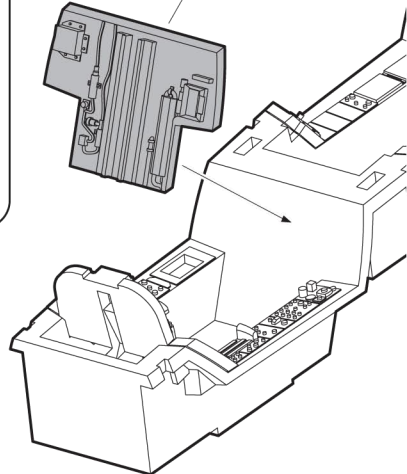


H24
A.MIG-208

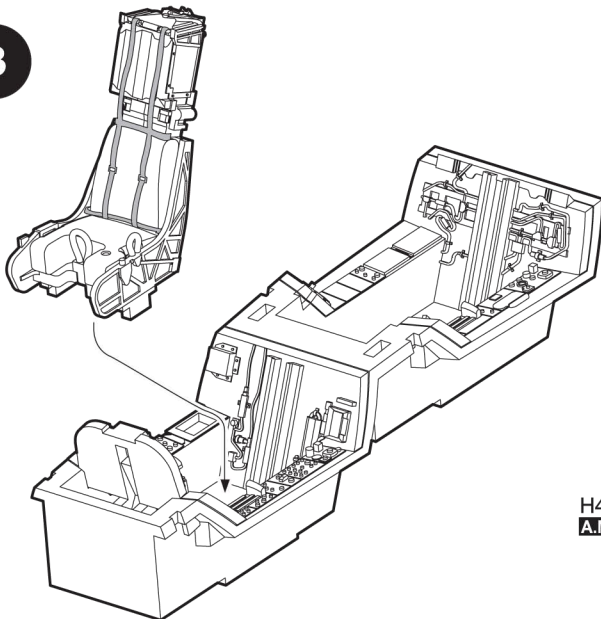
Painting Instruction



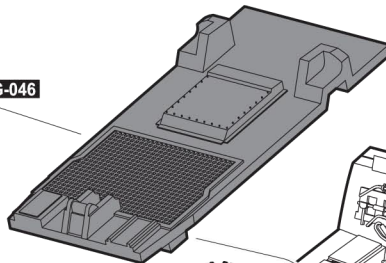
H30
A.MIG-208



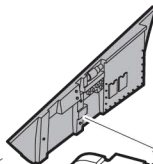
3



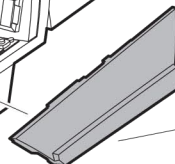
I4
A.MIG-046



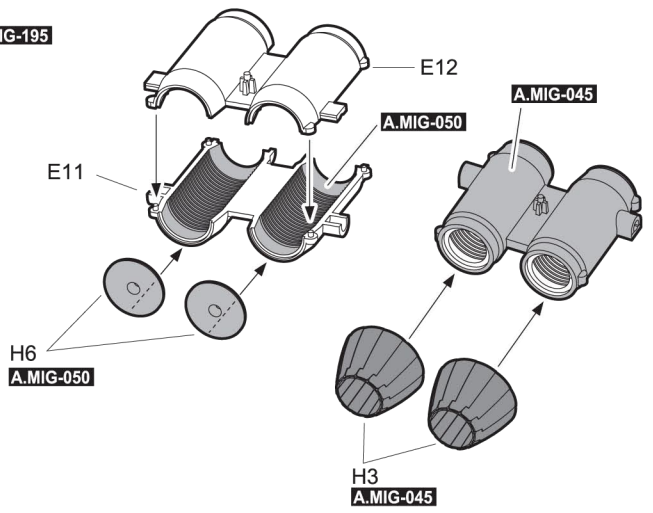
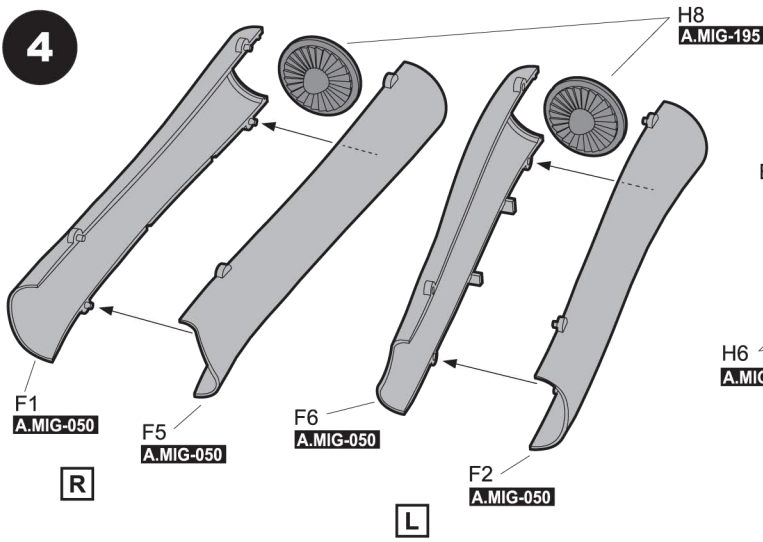
H41
A.MIG-208



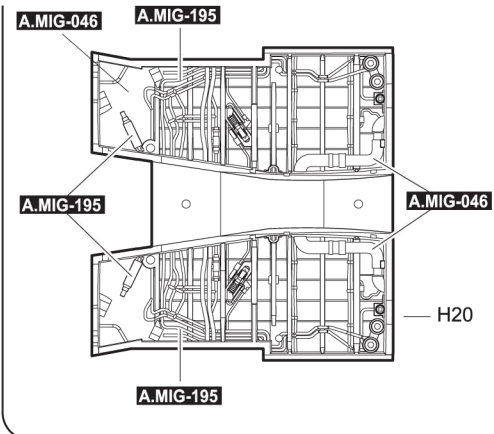
H40
A.MIG-208



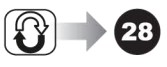
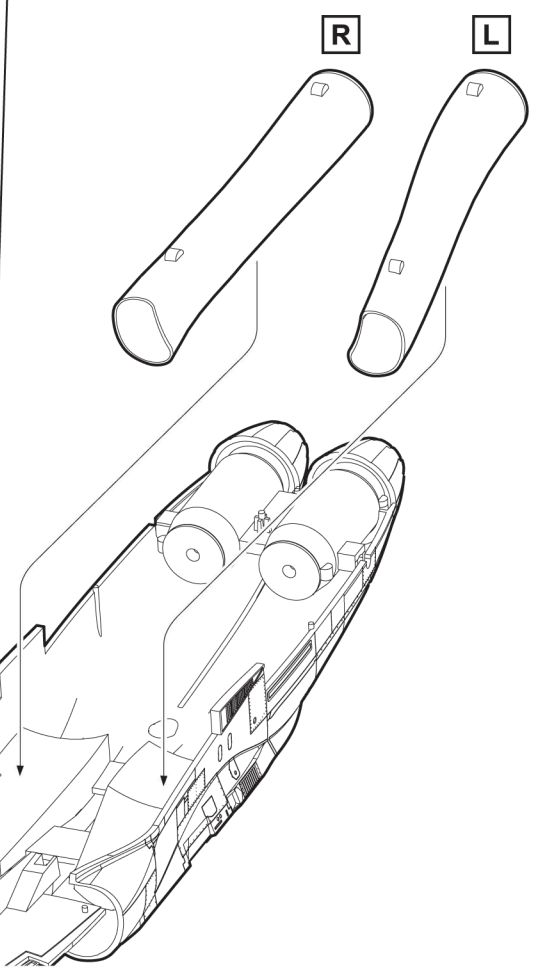
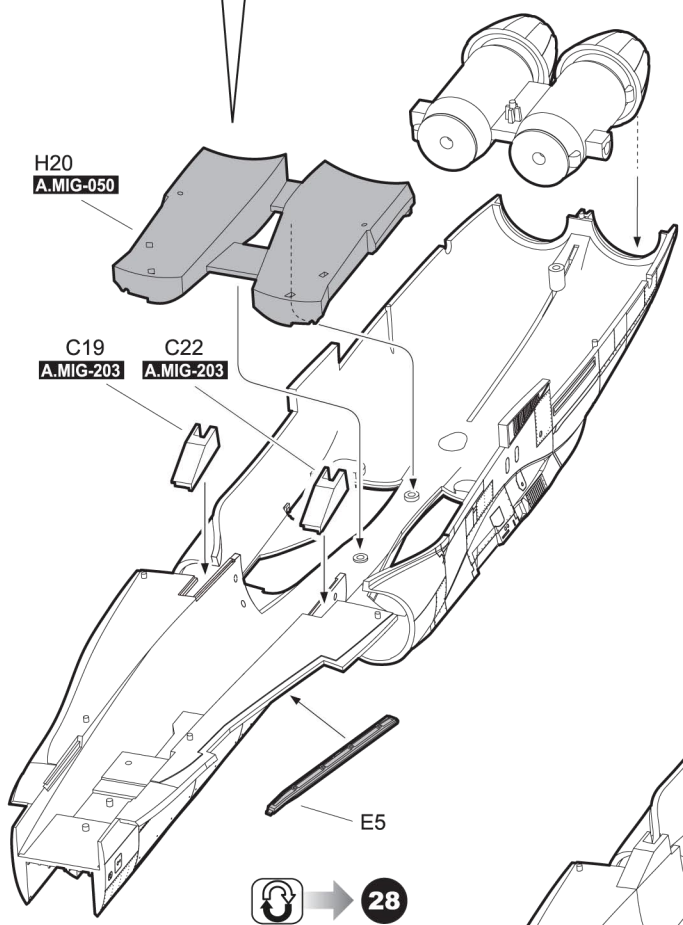
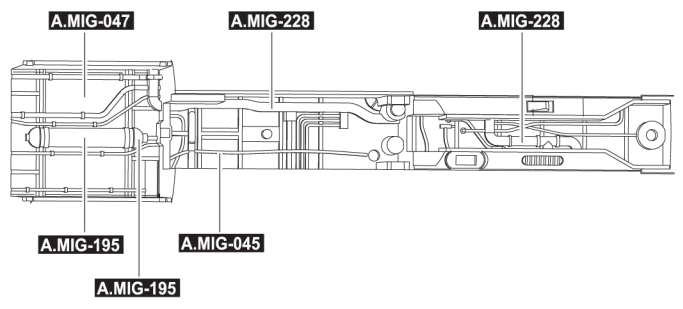
4



5



Painting Instruction

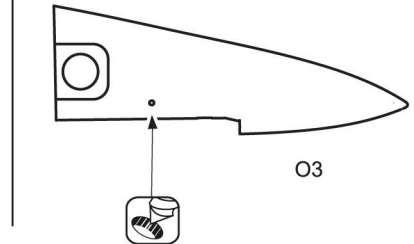
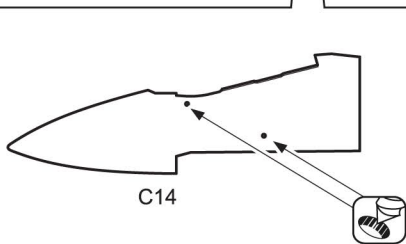
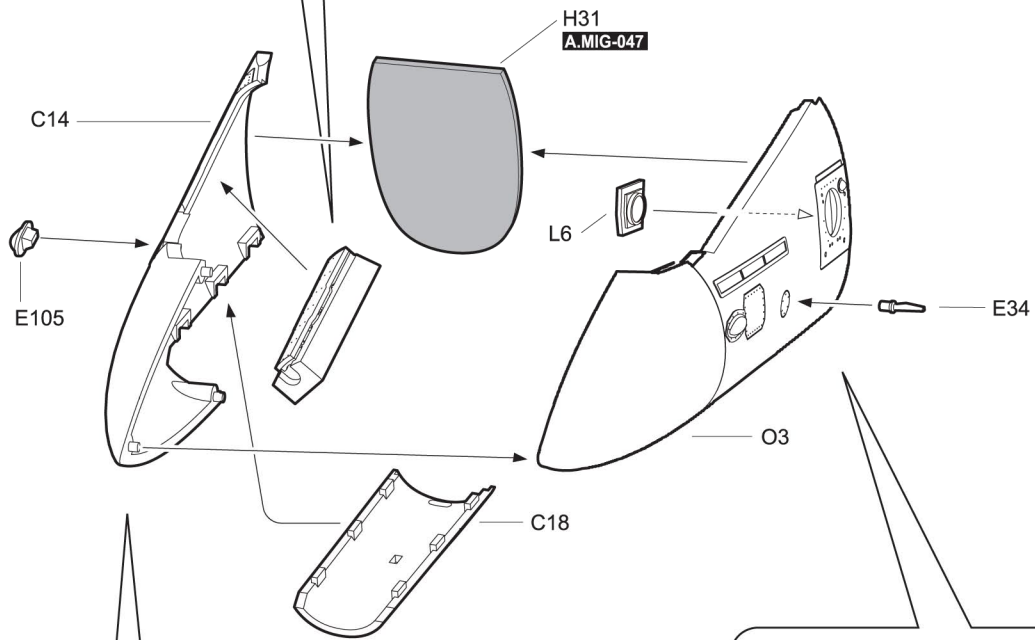
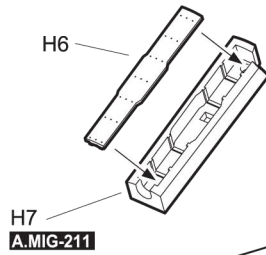
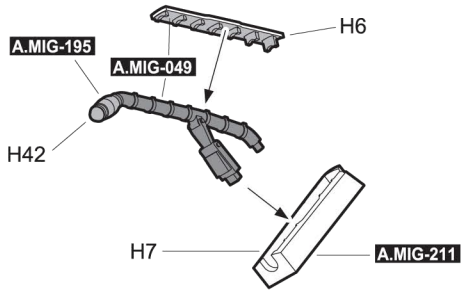


6

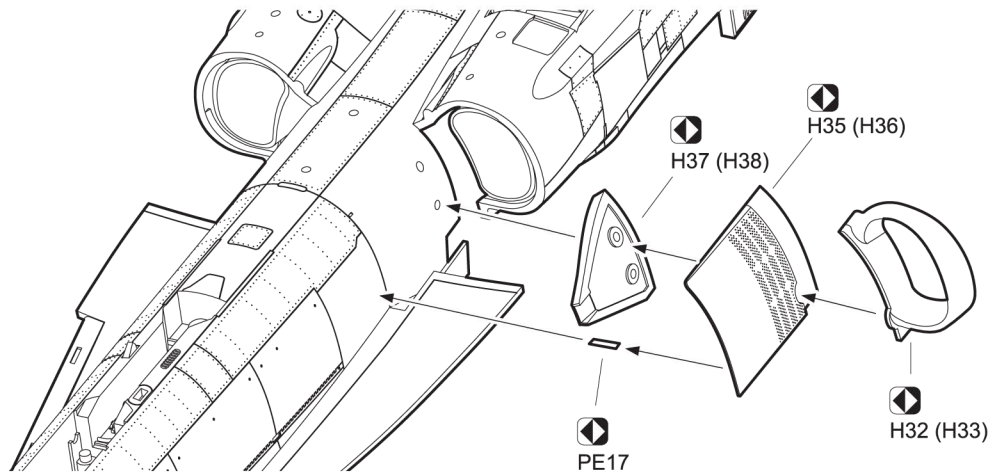
Refuelling Probe Open



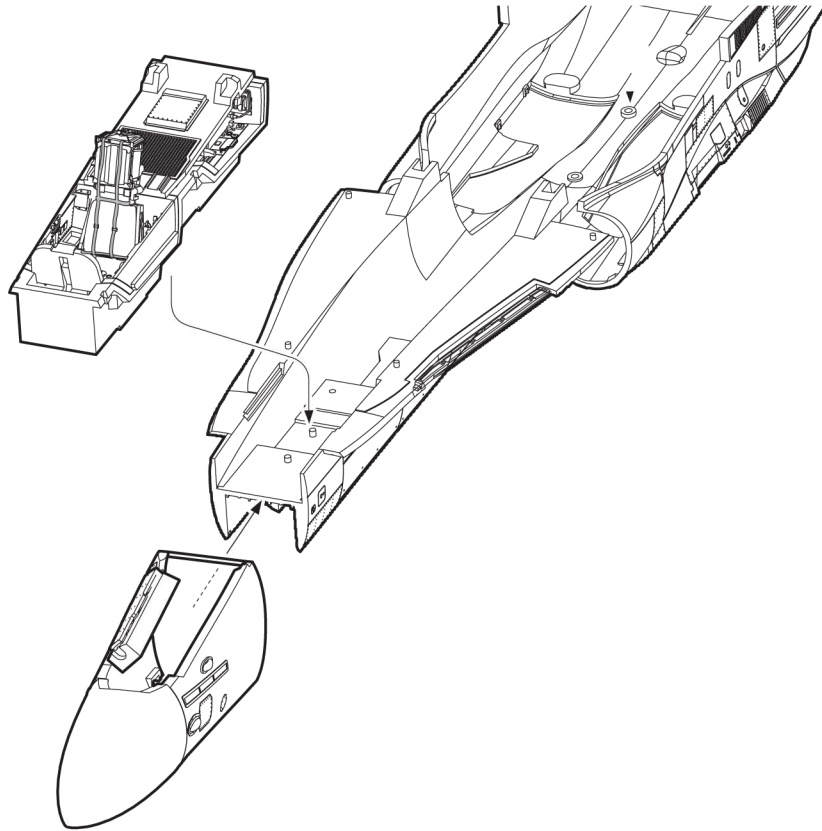
Refuelling Probe Close



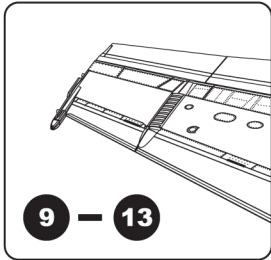
7



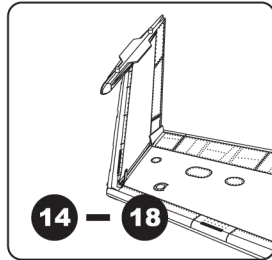
8



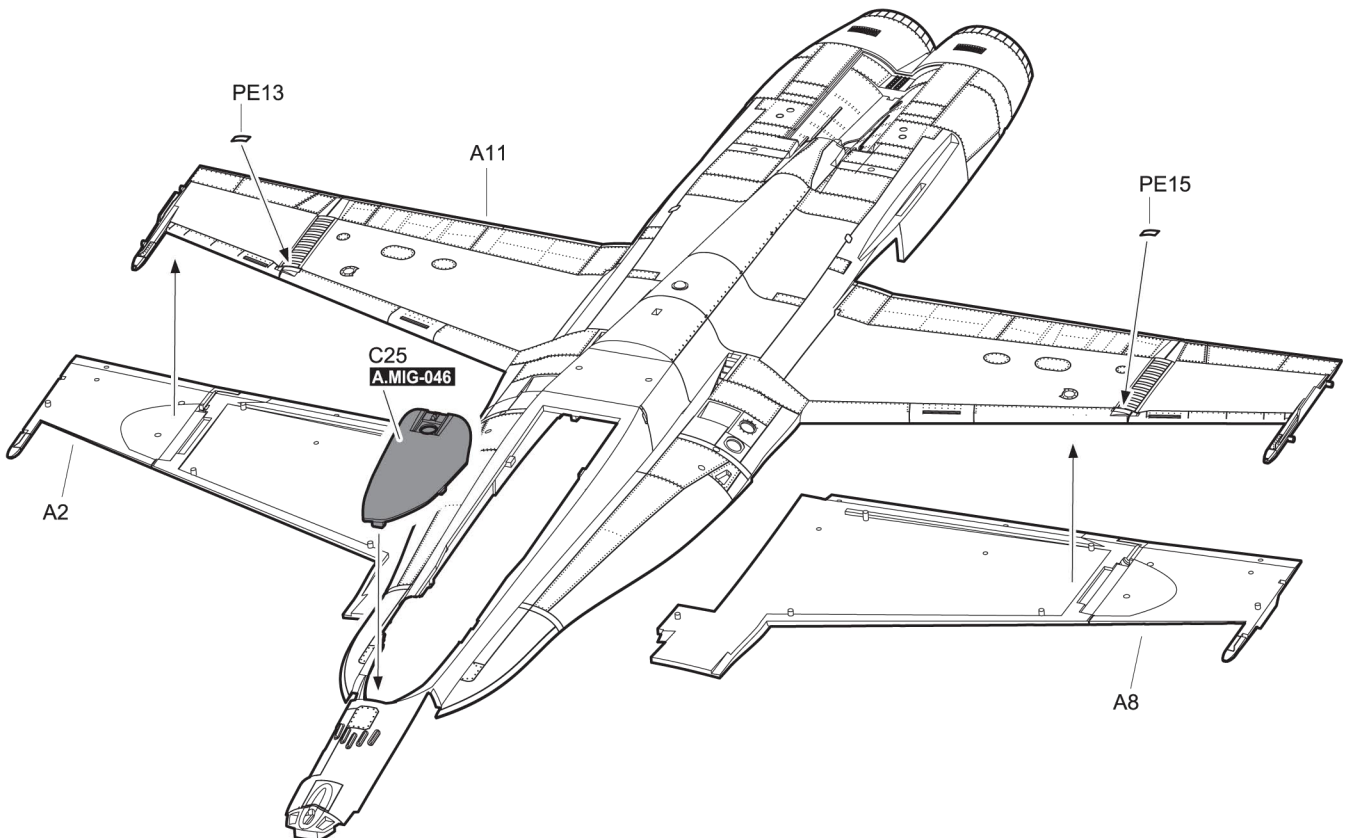
9



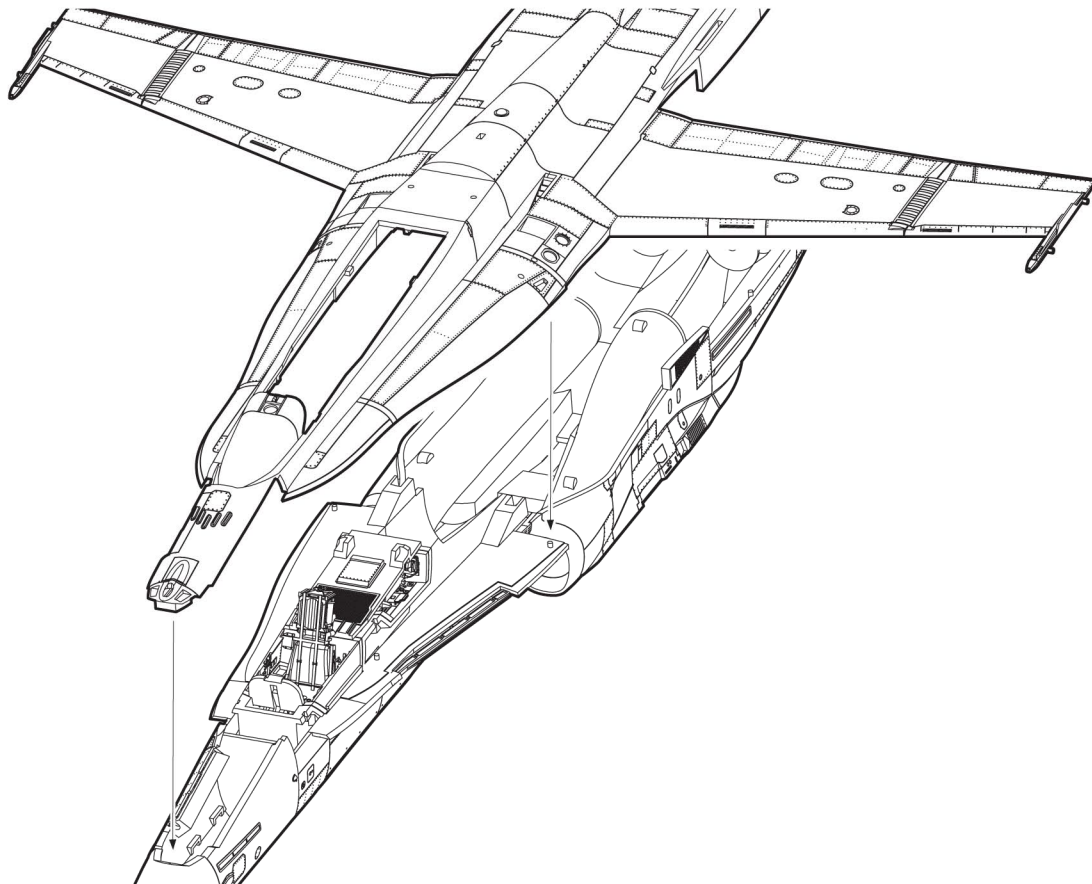
Wings extended



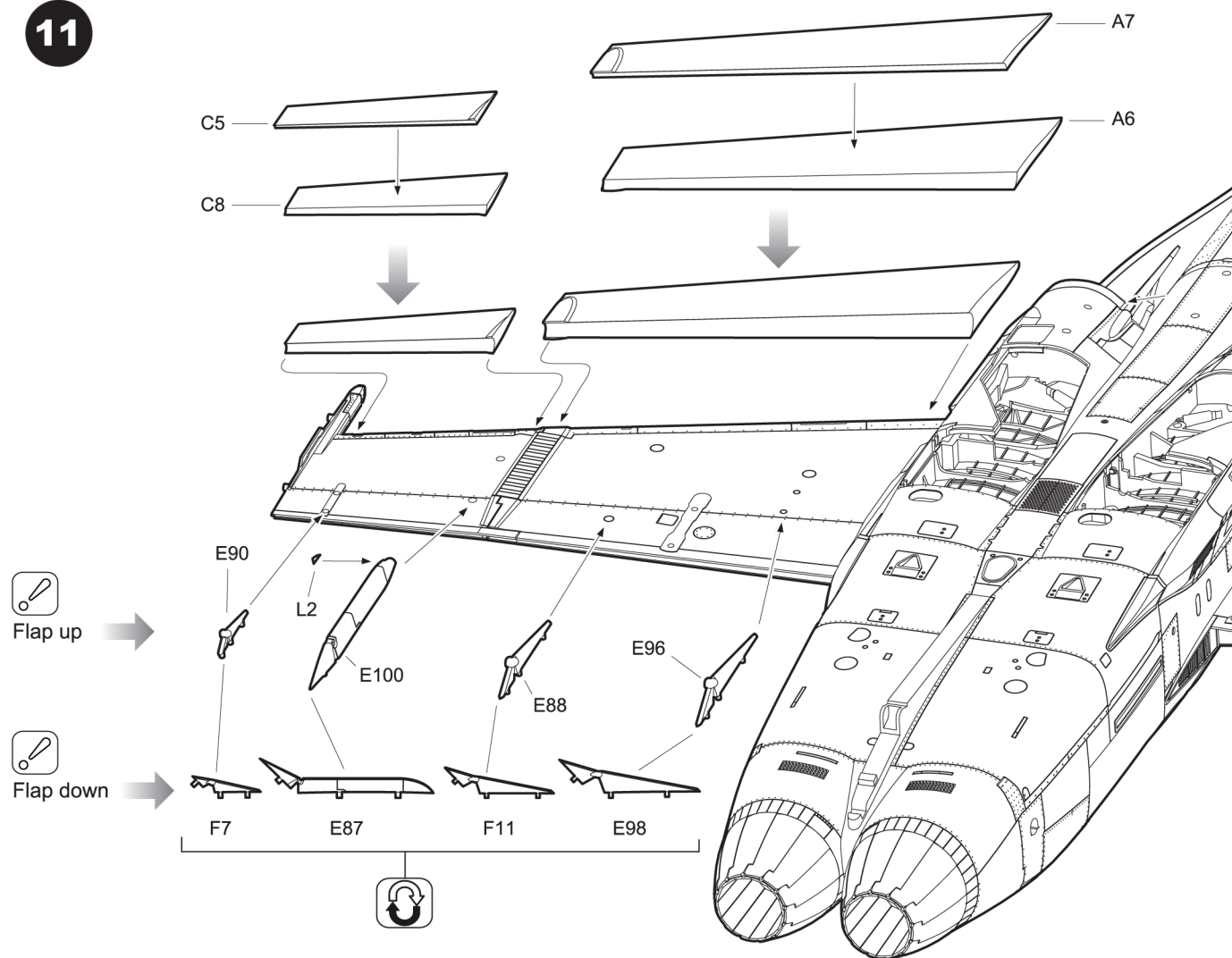
Fold Wings



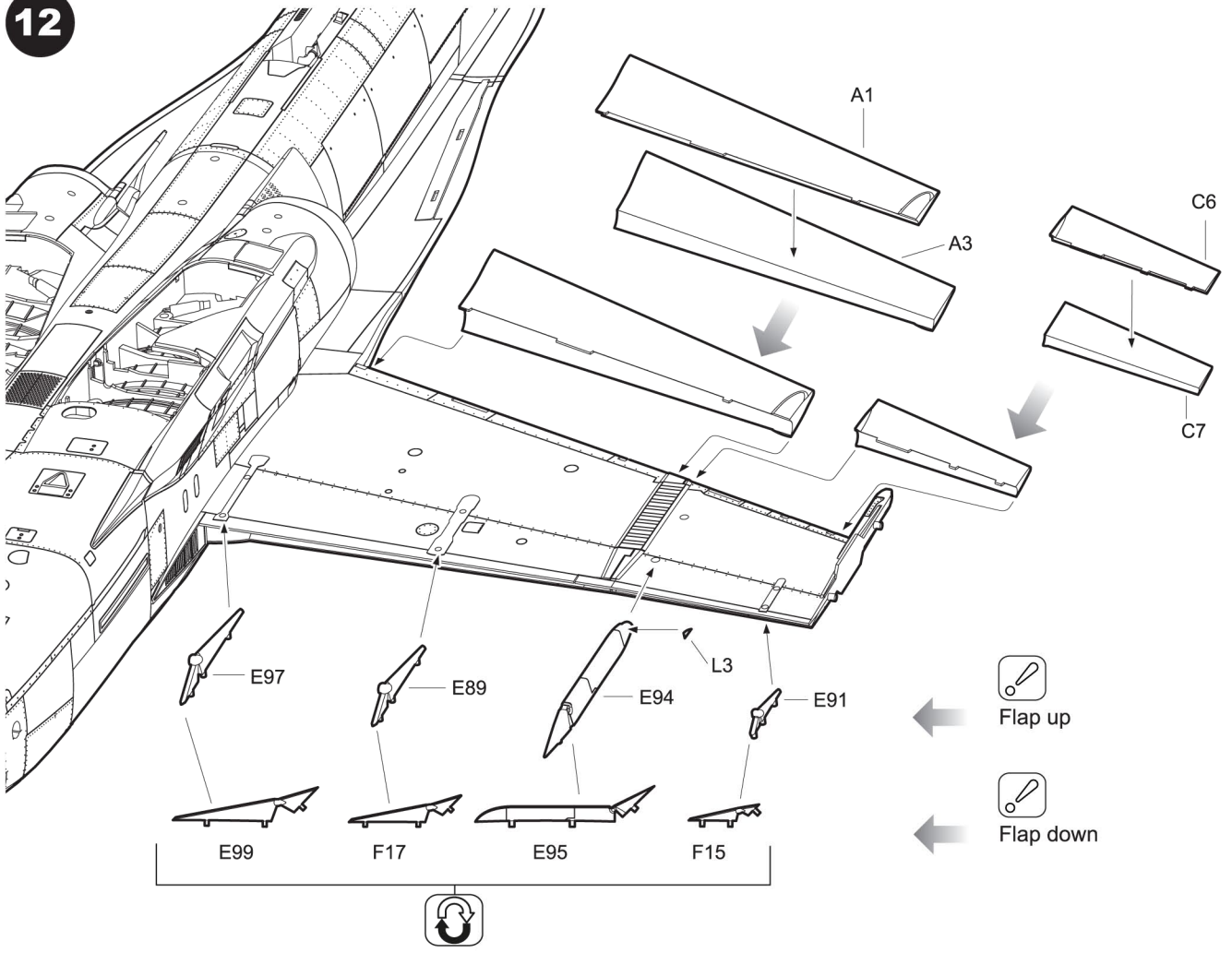
10



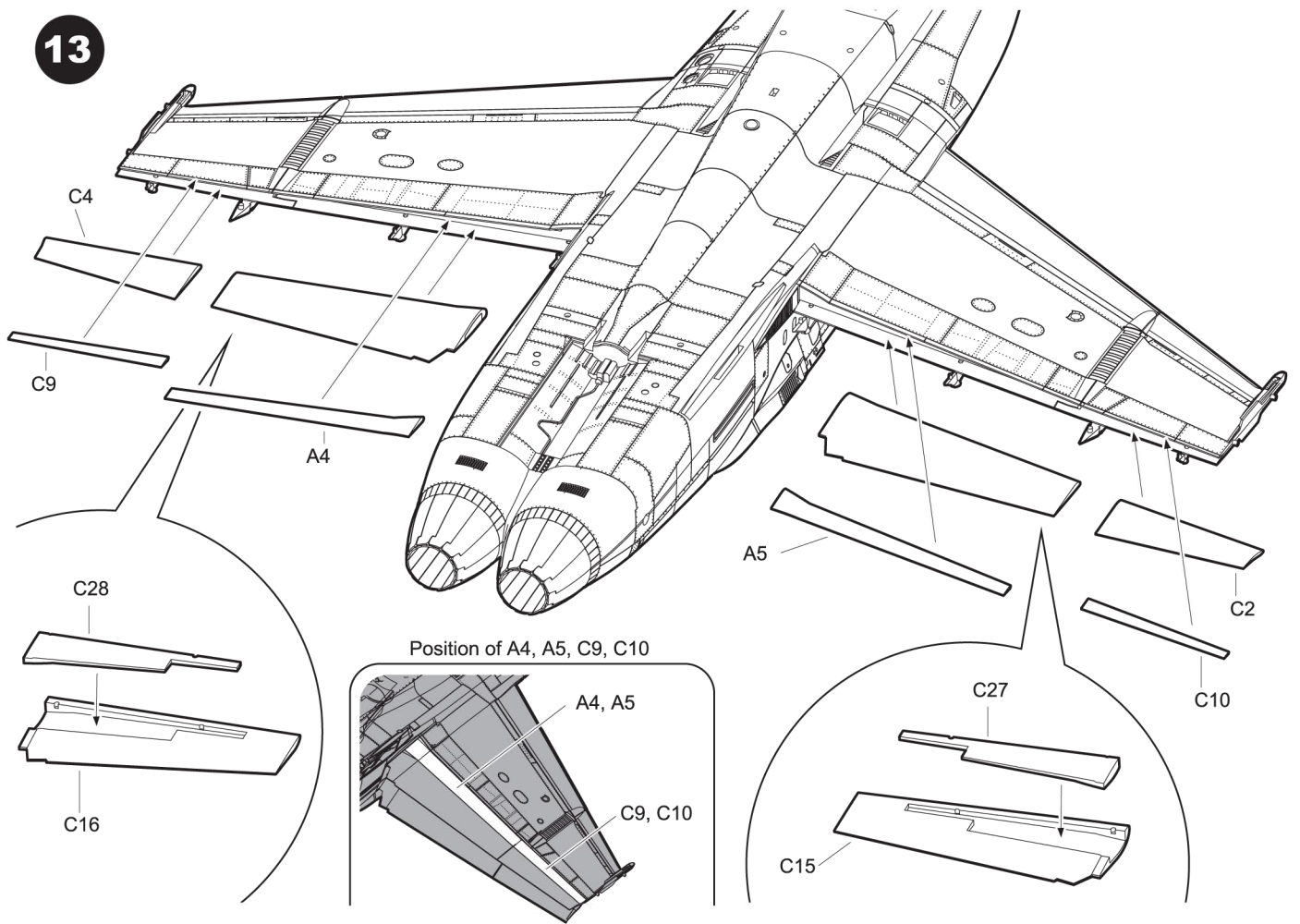
11



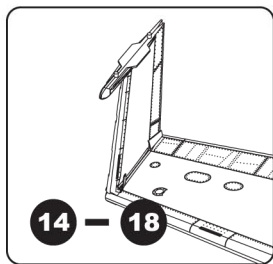
12



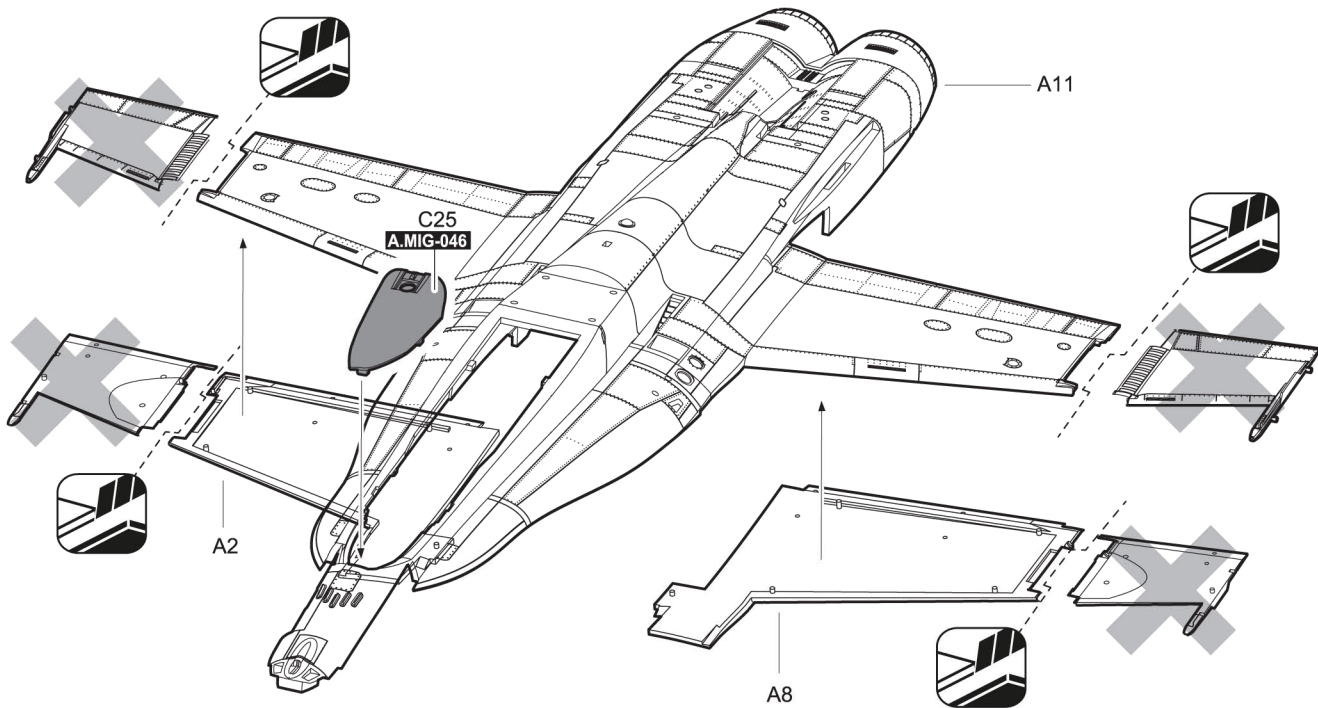
13



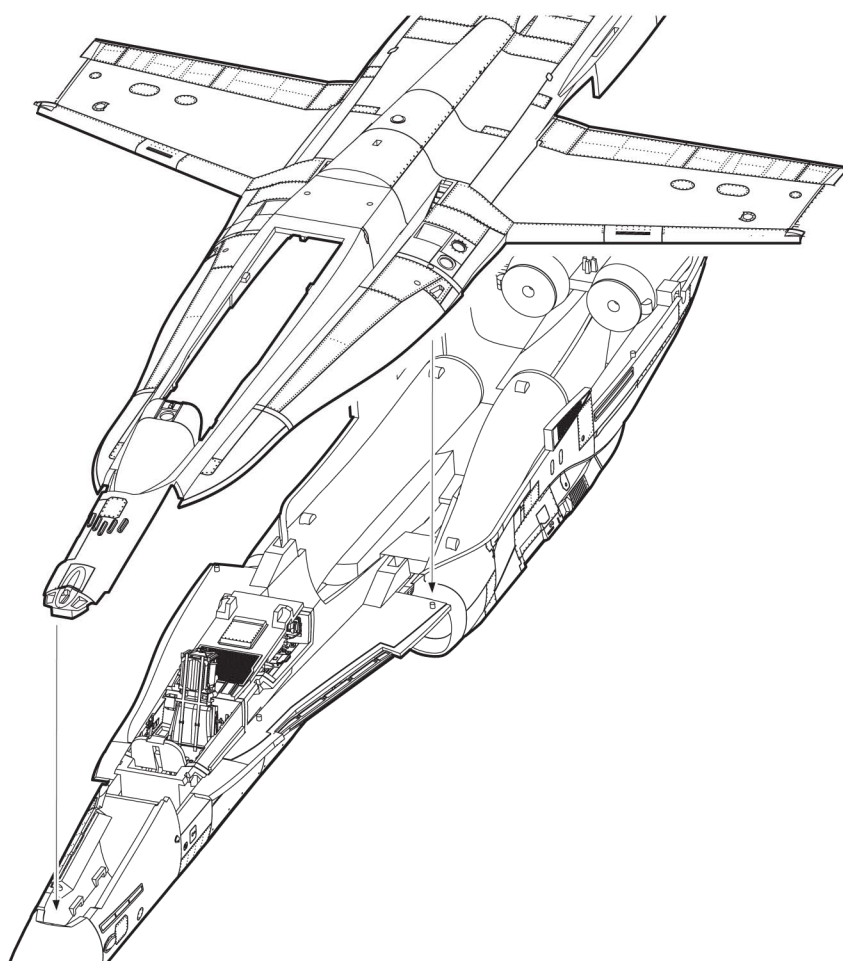
14



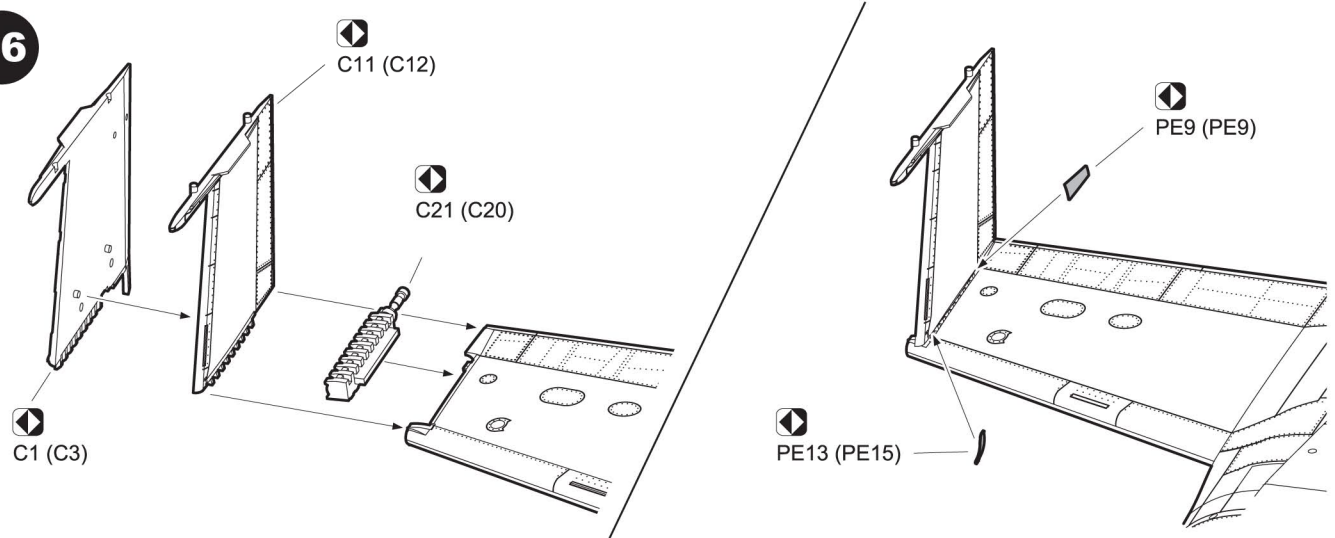
Fold Wings



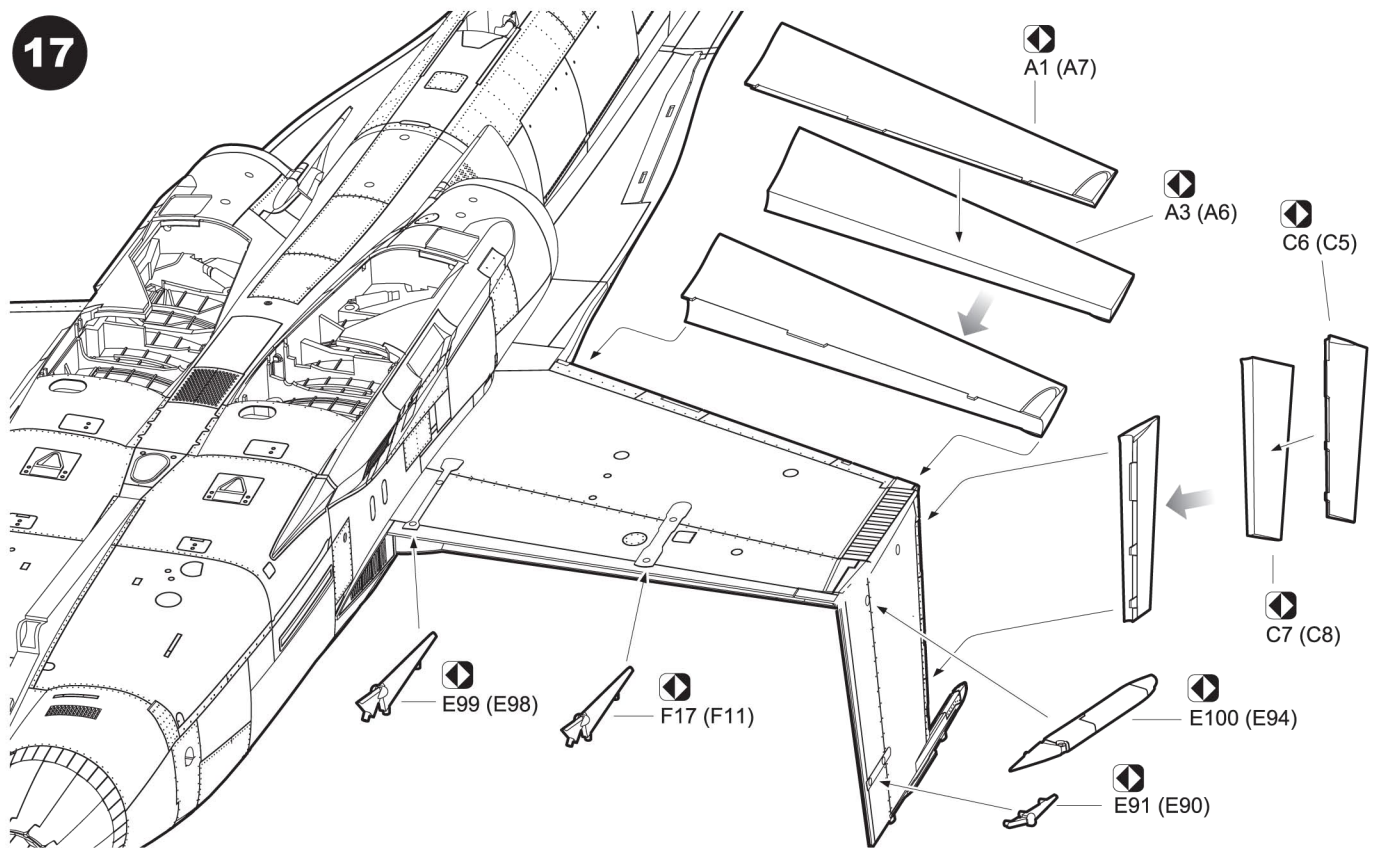
15



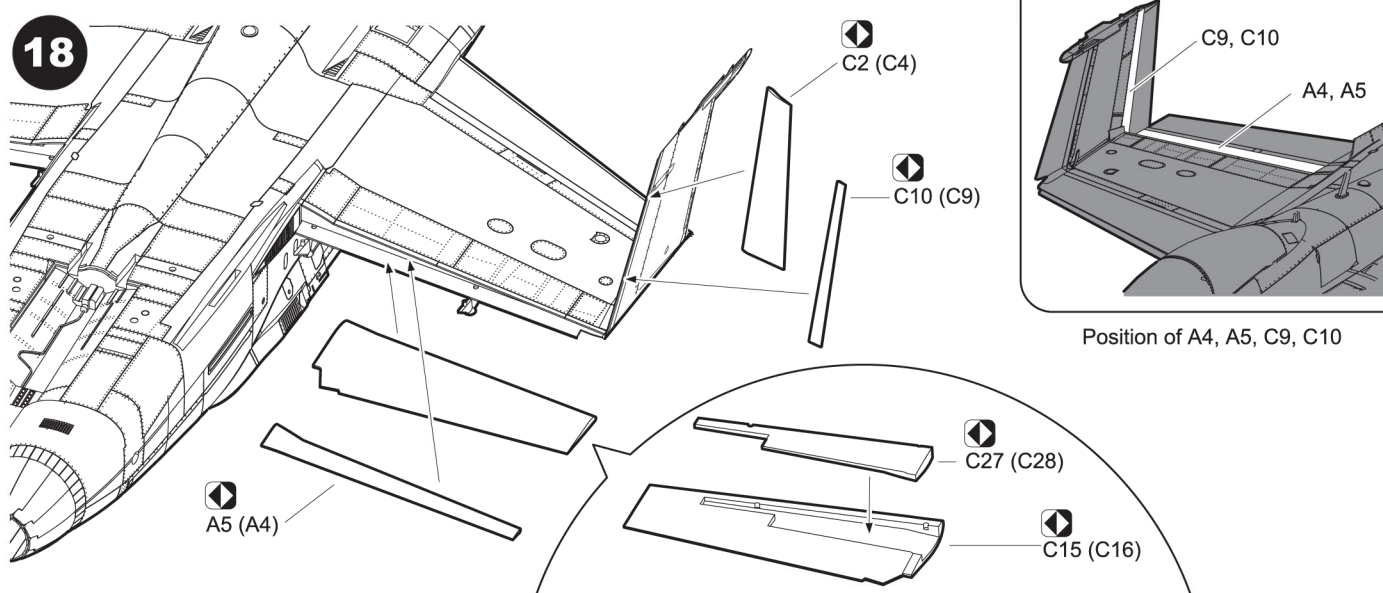
16

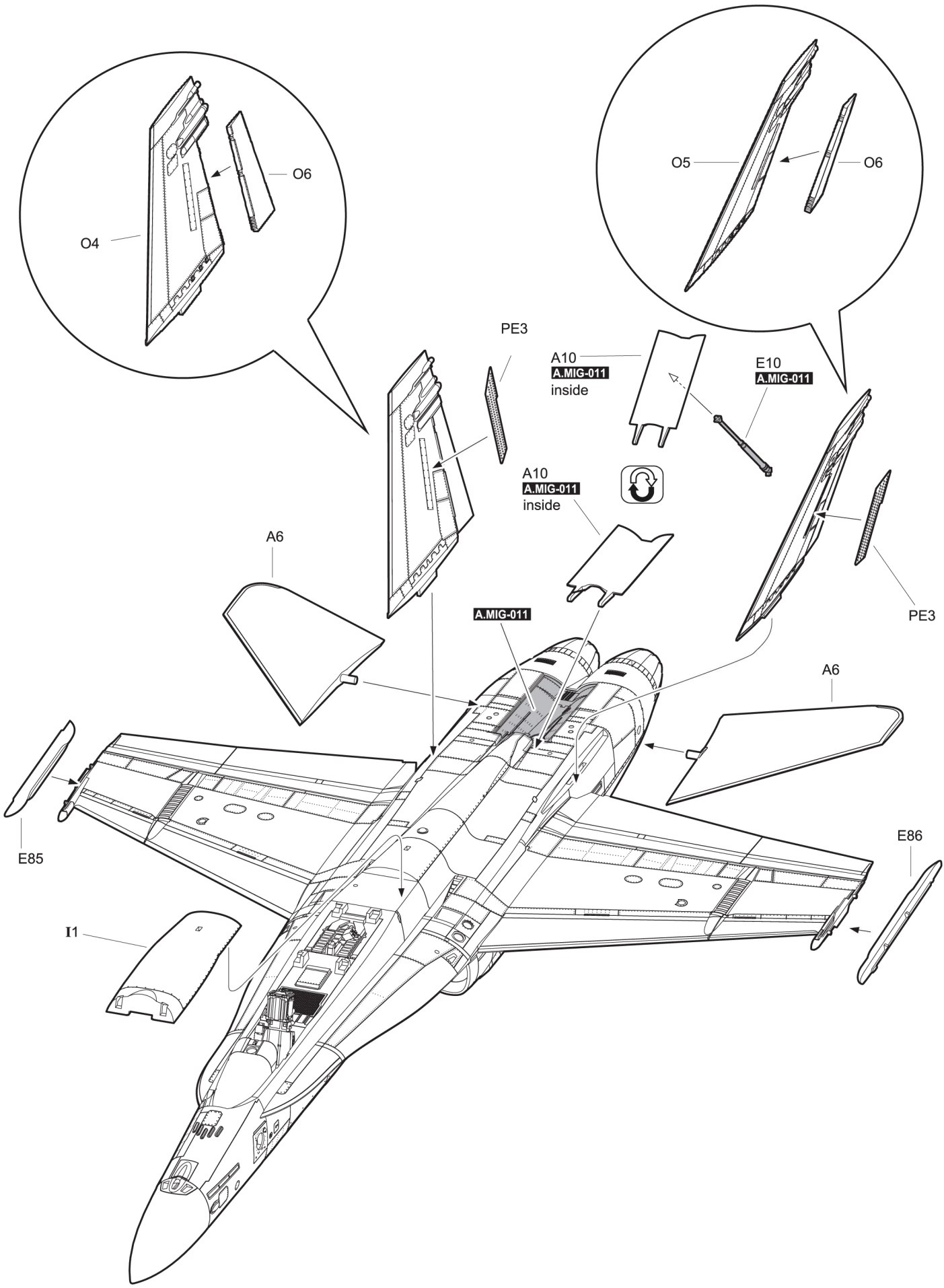


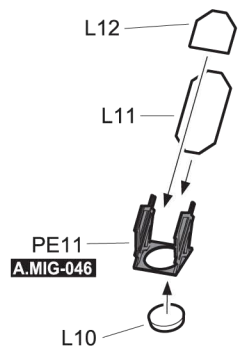
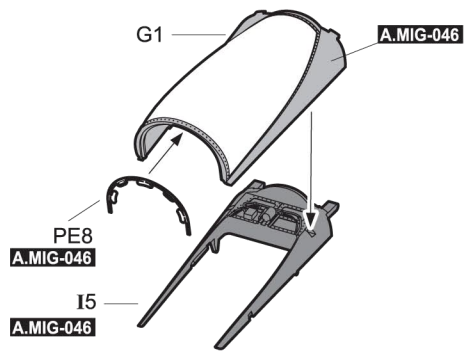
17



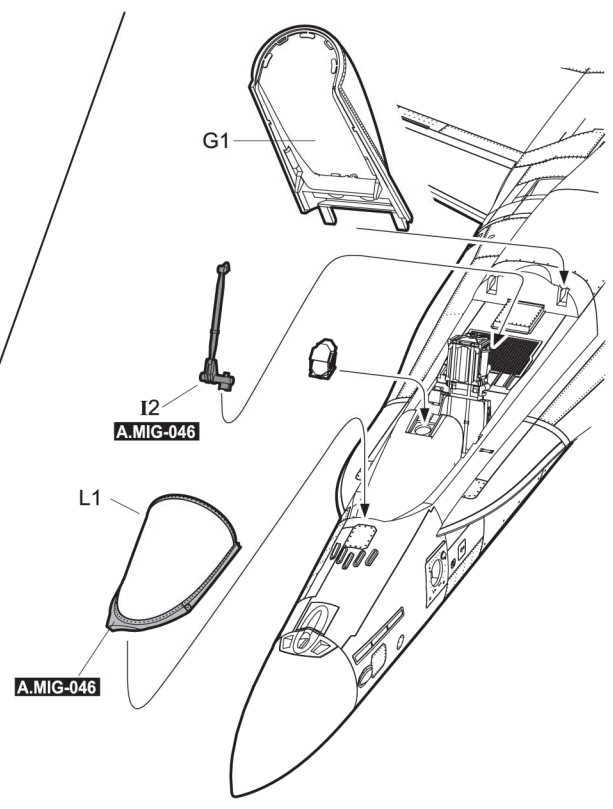
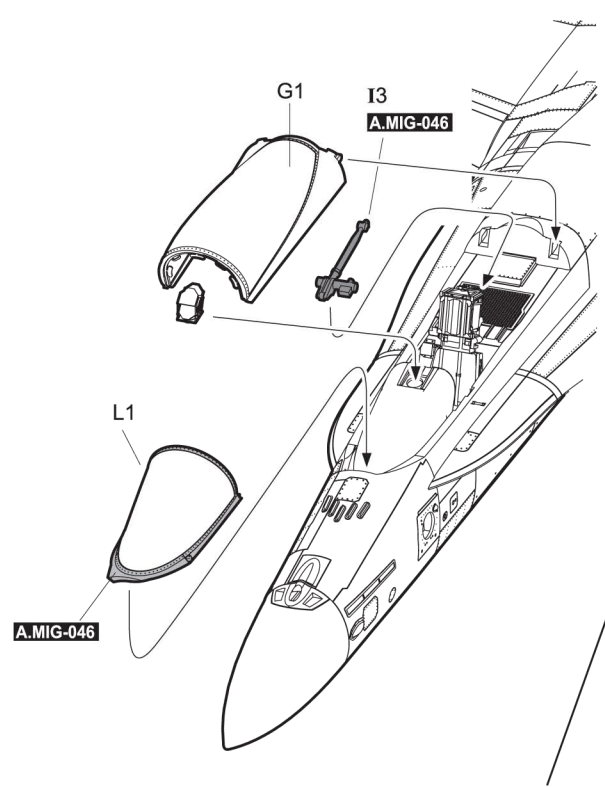
18



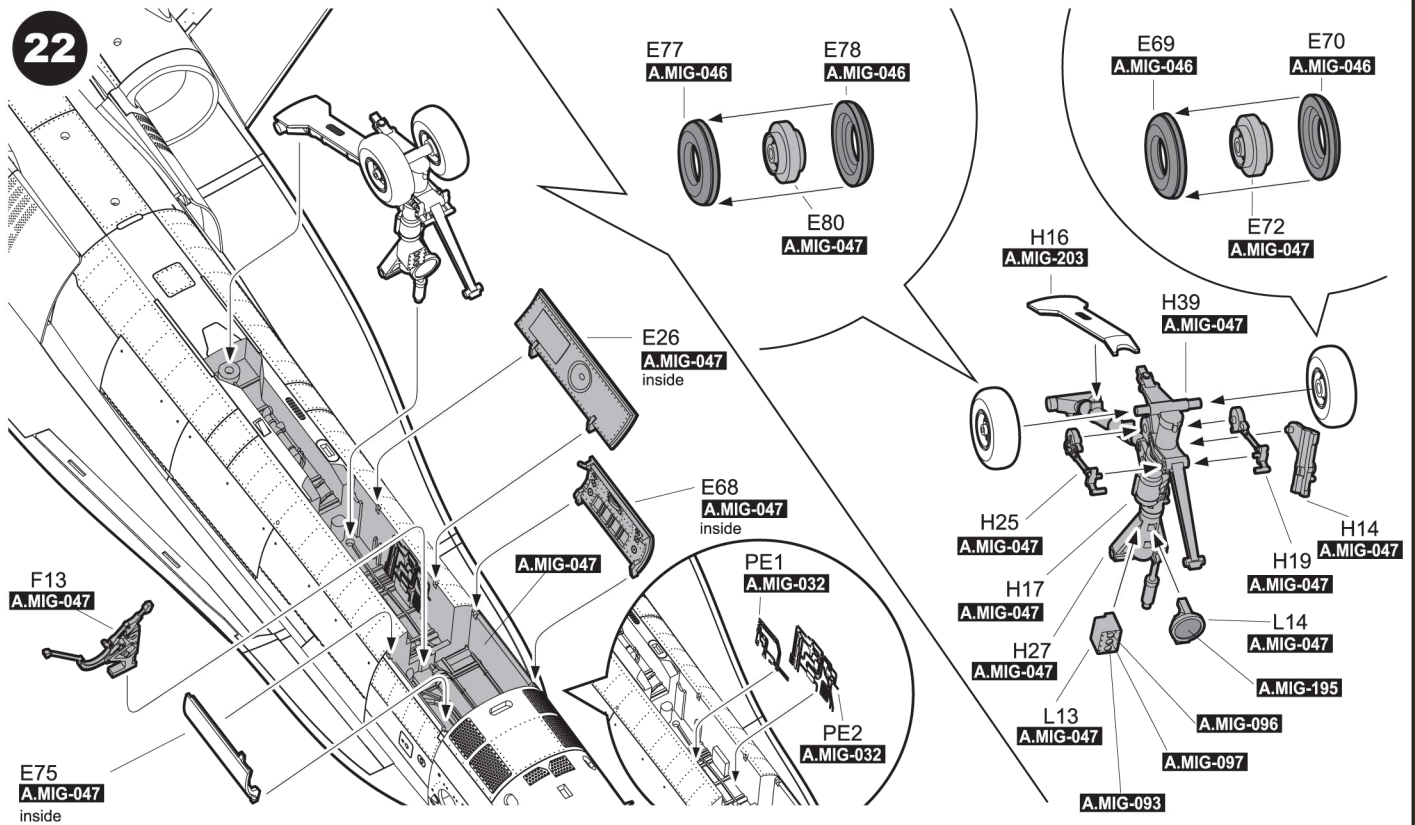




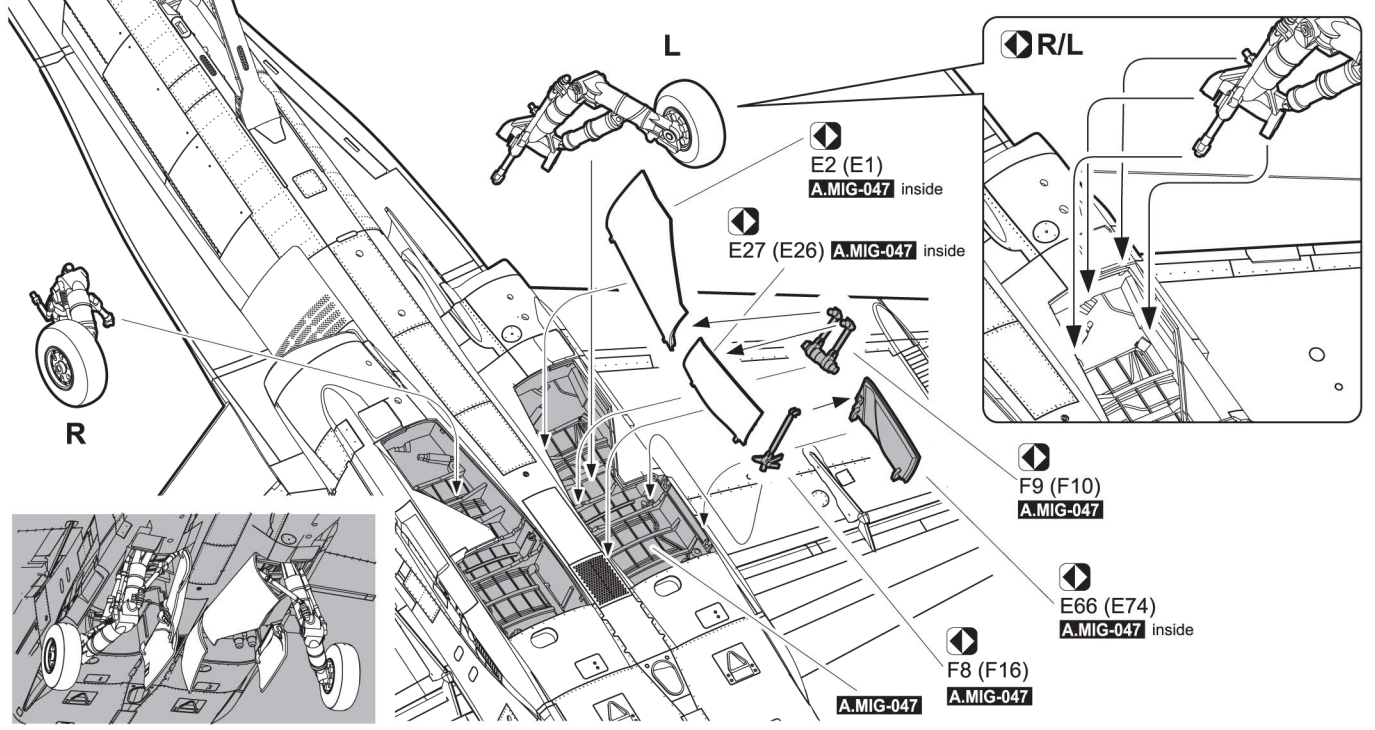
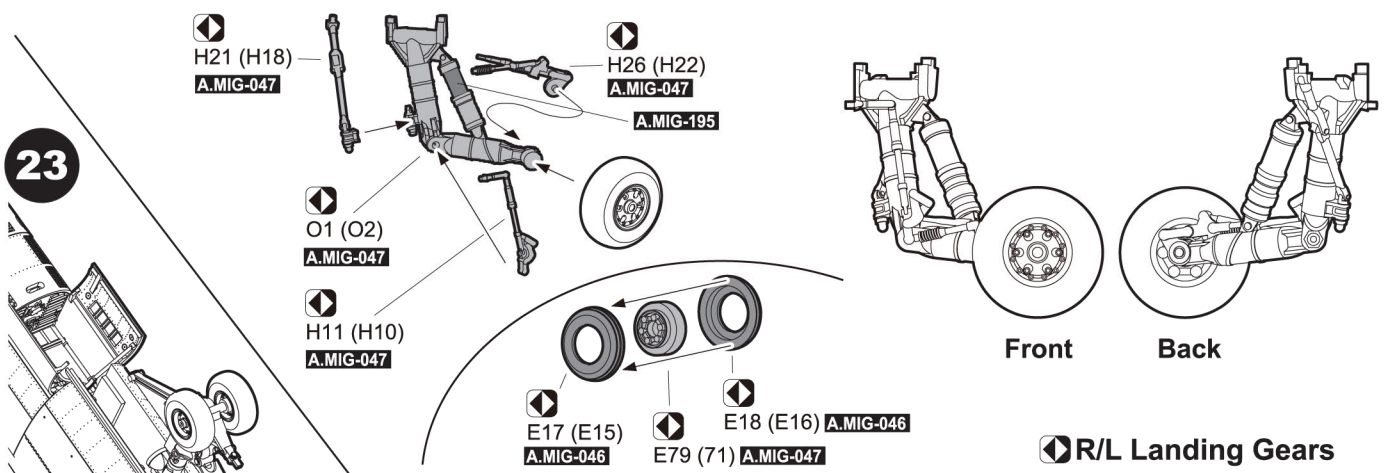
Close Canopy  Open Canopy



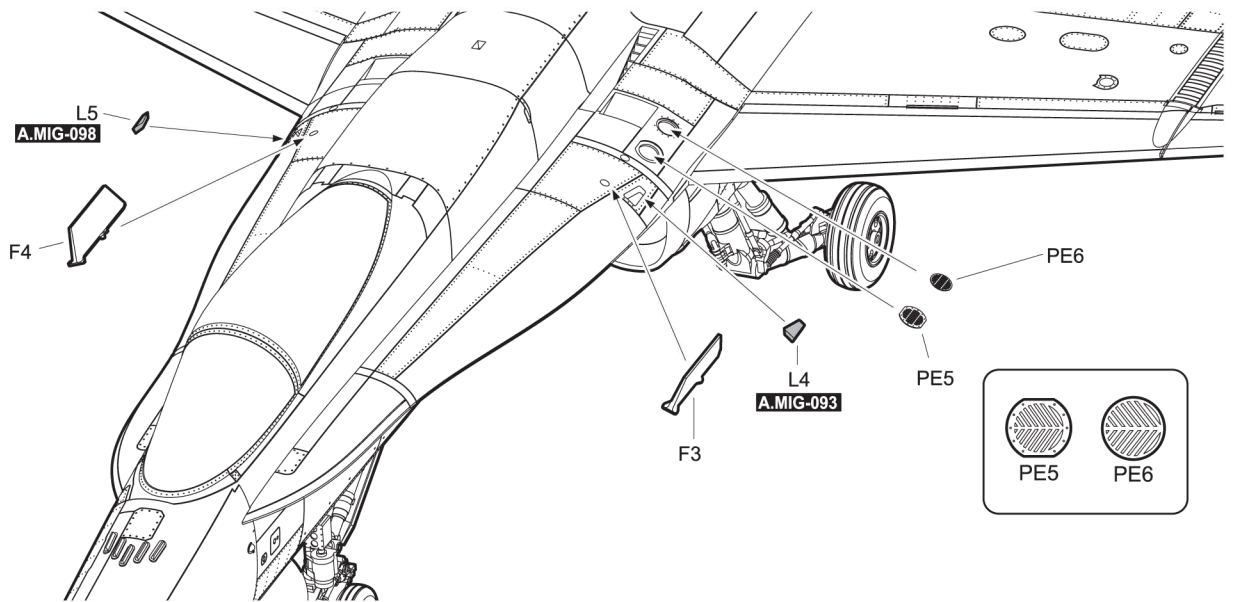
22



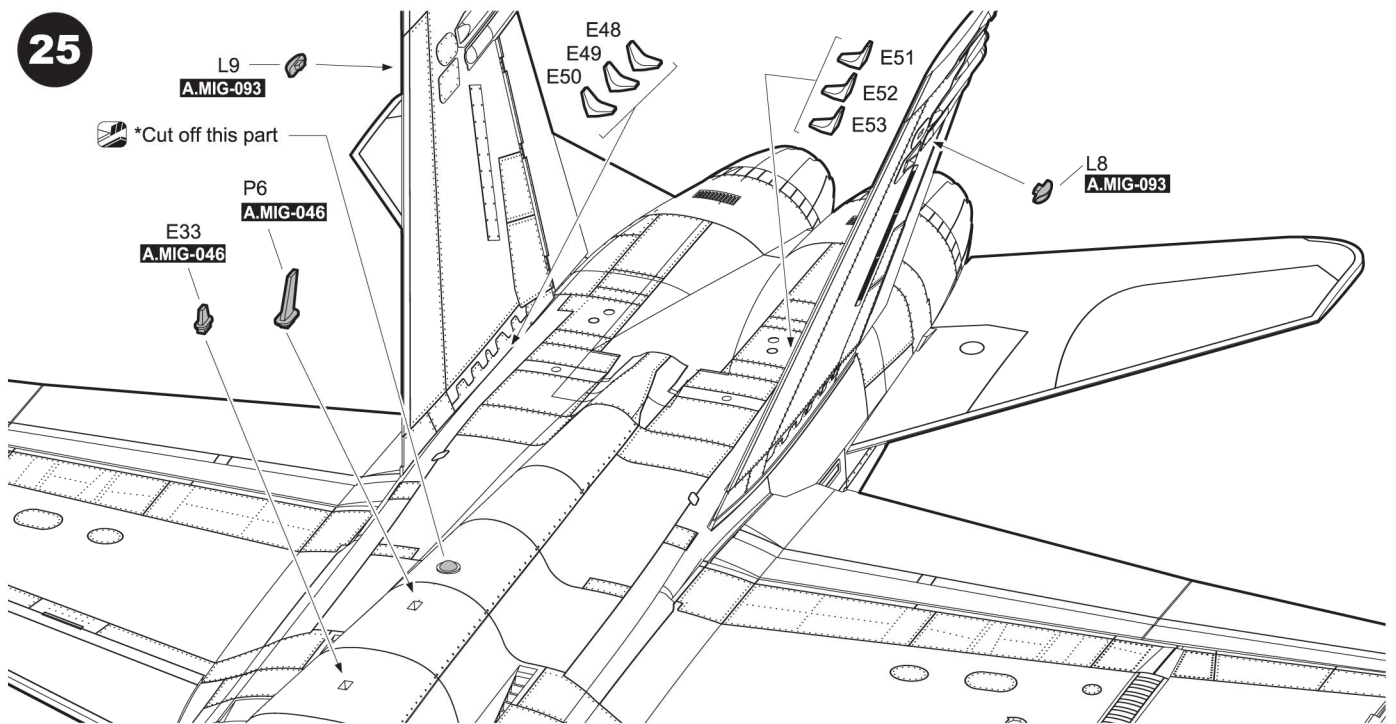
23



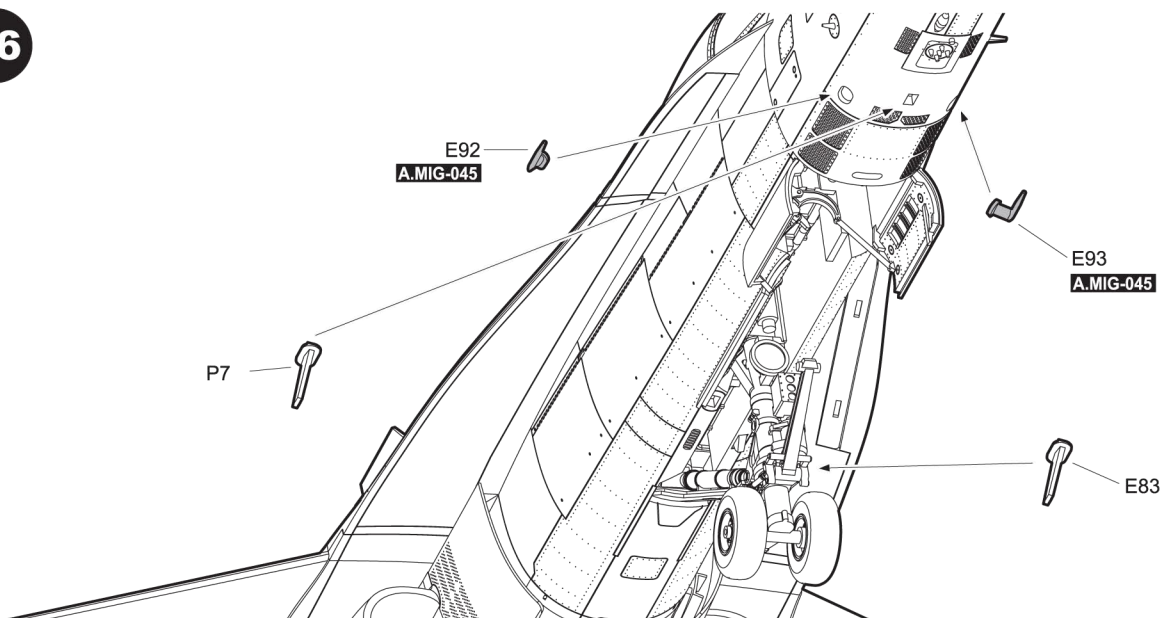
24



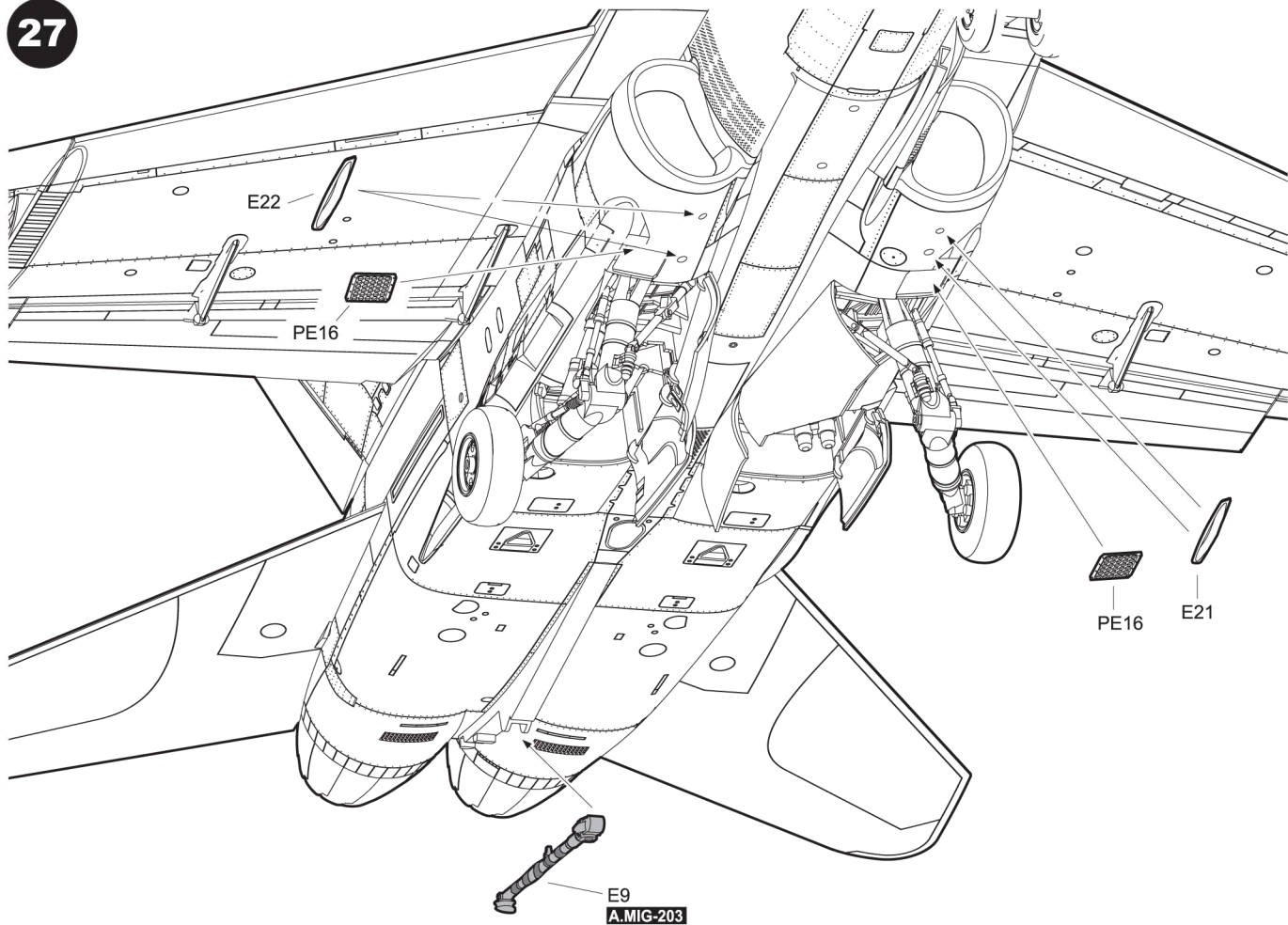
25



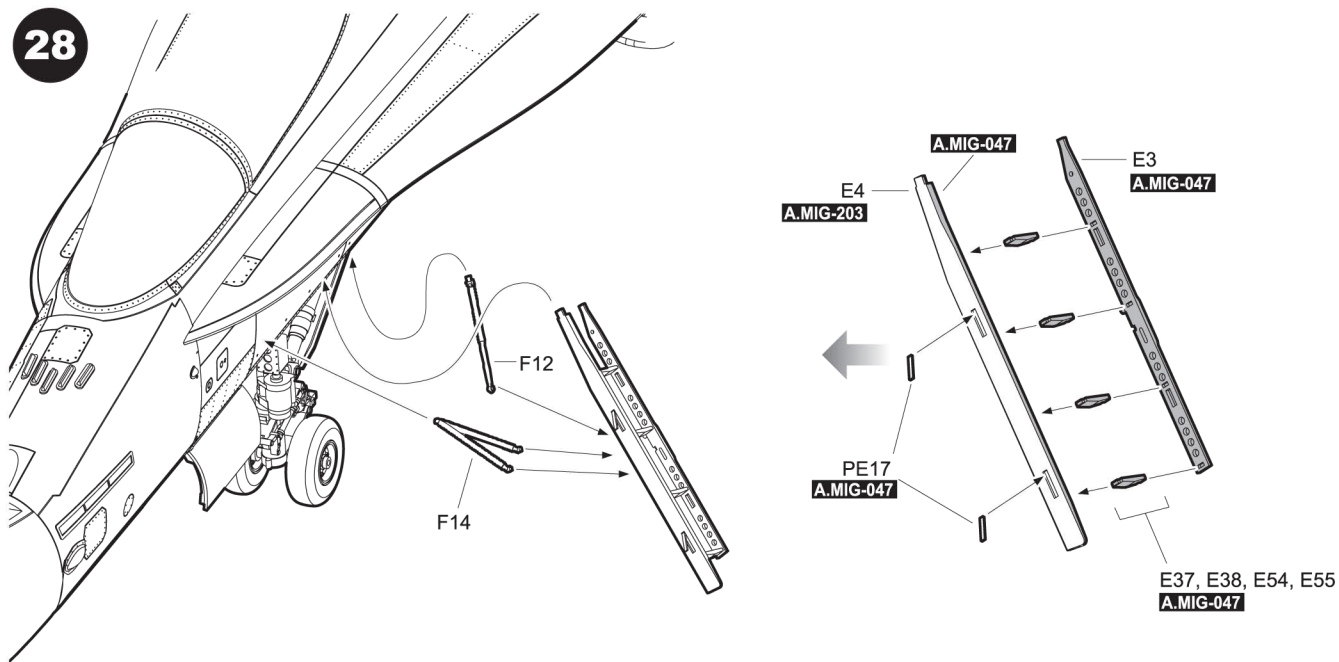
26



27



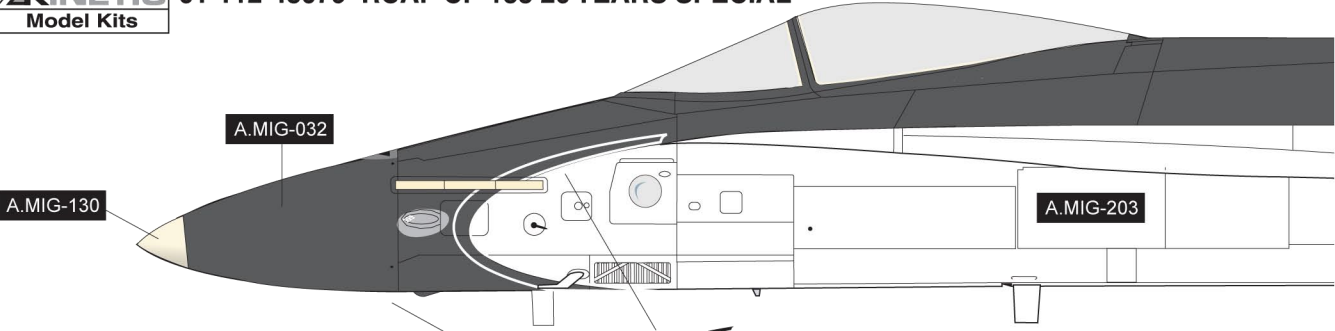
28





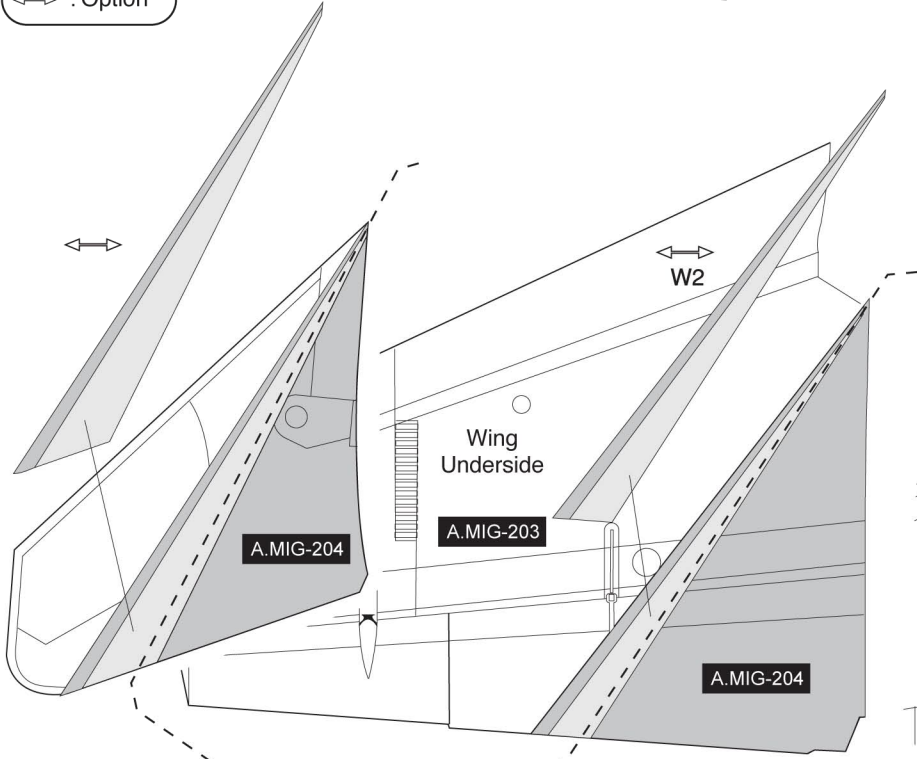
COLOR	AMMO MIG	VALLEJO MODEL COLOR	GSI CREOS MR. COLOR	TAMIYA ENAMEL/ACRYLIC	HUMBROL ENAMEL
B RESEDAGRÜN	A.MIG-004	823	-	X05	2
DUNKELGELB AUS '44 DG I	A.MIG-011	830	-	XF62	66
LIGHT BEIGE	A.MIG-012	837	51	XF78	121
PROTECTIVE GREEN	A.MIG-023	891	-	-	117
SAND BROWN	A.MIG-026	874	-	-	-
DESERT SAND	A.MIG-029	916	-	-	250
SAND YELLOW	A.MIG-030	887	304	XF72	155
SATIN BLACK	A.MIG-032	861	2	-	21
OLD WOOD	A.MIG-036	879	81	-	-
GUN METAL	A.MIG-045	863	76	XF56	53
MATT BLACK	A.MIG-046	950	12	XF1	33
SATIN WHITE	A.MIG-047	842	1	-	22
YELLOW	A.MIG-048	953	413	XF3	15
RED	A.MIG-049	957	-	XF07	153
MATT WHITE	A.MIG-050	951	11	XF2	34
BLUE	A.MIG-086	963	-	-	52
CRYSTAL RED	A.MIG-093	934	-	-	220
CRYSTAL PERISCOPE GREEN	A.MIG-096	936	-	-	-
CRYSTAL ORANGE	A.MIG-097	935	-	-	-
CRYSTAL LIGHT BLUE	A.MIG-098	938	-	-	-
GOLD YELLOW	A.MIG-125	-	413	-	-
ORANGE	A.MIG-129	733	14	X6	18
FADED YELLOW	A.MIG-130	-	318	-	-
SILVER	A.MIG-195	997	8	XF16	11
GOLD	A.MIG-198	996	9	-	-
TAN	A.MIG-202	874	310	XF52	-
LIGHT GHOST GRAY	A.MIG-203	990	308	-	-
GUNSHIP GRAY	A.MIG-204	836	305	-	-
GHOST GRAY	A.MIG-208	991	317	XF54	27
LIGHT GRAY	A.MIG-209	990	308	-	-
GRAY BLUE	A.MIG-210	901	-	-	-
MEDIUM GRAY	A.MIG-211	989	-	XF19	127
INTERMEDIATE BLUE	A.MIG-228	867	36	XF54	79
DARK GRAY	A.MIG-907	994	-	XF24	-
OLIVE DRAB LIGHT BASE	A.MIG-927	893	309	XF27	91
RUSSIAN SHINE	A.MIG-935	838	-	-	-

For Color Profile, please go to www.kineticmodel.com for download
(type the kit# and go for manual/painting guide)

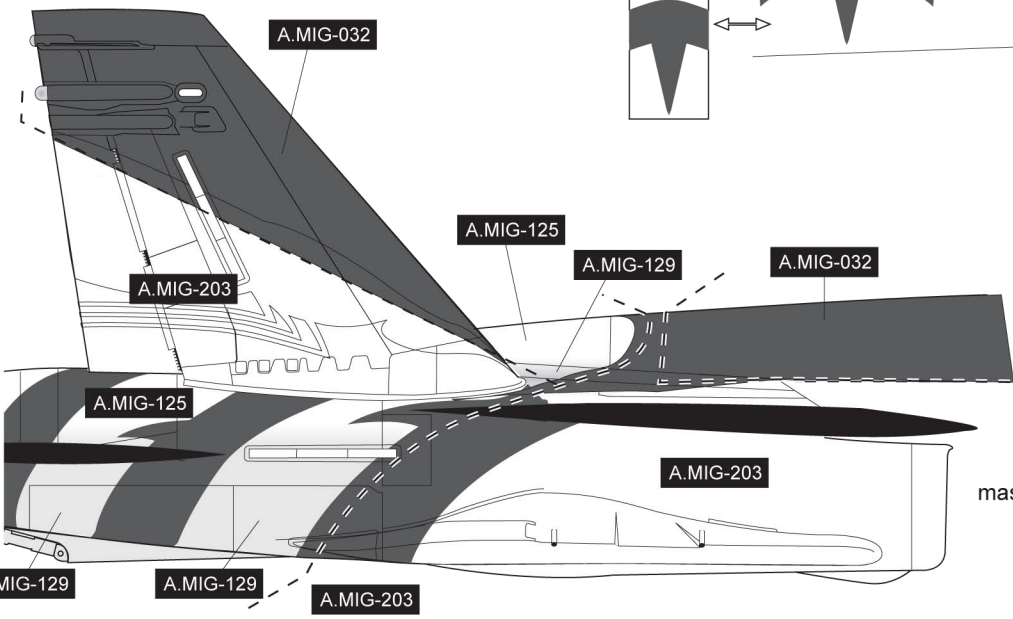
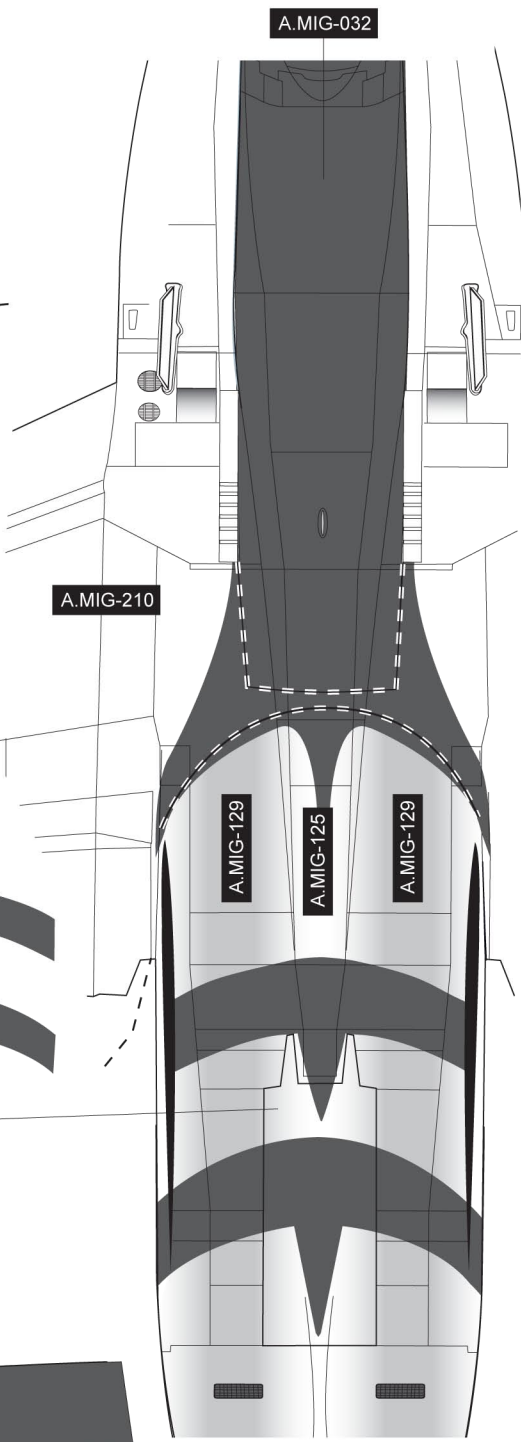


Paint nose area black after applying decal.

↔ : Option



Masking line for painting gunship grey inner area.



Back masking line.

Inward-facing side is entirely medium gray.

Inside facing side vertical stabilizers.

Wing tip rails are painted underside.

Wing tip sidewinder launch rail.

Air brake decals for open position.

Black decal to be applied over the orange / yellow decal.

Arrestor Hook
Paint black stripes over orange. Stripes are not equal lengths.

Trim decal after application when separate flap decals are used.

Decal designed by Leading Edge Models Canada.

GLOSS BLACK	A.MIG-032	FADED YELLOW	A.MIG-130	MEDIUM GRAY FS# 35237	A.MIG-210	YELLOW FS# 23655	A.MIG-125
LIGHT GRAY FS# 36375	A.MIG-203	GUNSHIP GRAY FS# 36118	A.MIG-204	A.MIG-100	A.MIG-101	A.MIG-102	A.MIG-103
				A.MIG-104	A.MIG-105	A.MIG-106	A.MIG-107
				A.MIG-108	A.MIG-109	A.MIG-110	A.MIG-111
				A.MIG-112	A.MIG-113	A.MIG-114	A.MIG-115
				A.MIG-116	A.MIG-117	A.MIG-118	A.MIG-119
				A.MIG-120	A.MIG-121	A.MIG-122	A.MIG-123
				A.MIG-124	A.MIG-125	A.MIG-126	A.MIG-127
				A.MIG-128	A.MIG-129	A.MIG-130	A.MIG-131
				A.MIG-132	A.MIG-133	A.MIG-134	A.MIG-135
				A.MIG-136	A.MIG-137	A.MIG-138	A.MIG-139
				A.MIG-140	A.MIG-141	A.MIG-142	A.MIG-143
				A.MIG-144	A.MIG-145	A.MIG-146	A.MIG-147
				A.MIG-148	A.MIG-149	A.MIG-150	A.MIG-151
				A.MIG-152	A.MIG-153	A.MIG-154	A.MIG-155
				A.MIG-156	A.MIG-157	A.MIG-158	A.MIG-159
				A.MIG-160	A.MIG-161	A.MIG-162	A.MIG-163
				A.MIG-164	A.MIG-165	A.MIG-166	A.MIG-167
				A.MIG-168	A.MIG-169	A.MIG-170	A.MIG-171
				A.MIG-172	A.MIG-173	A.MIG-174	A.MIG-175
				A.MIG-176	A.MIG-177	A.MIG-178	A.MIG-179
				A.MIG-180	A.MIG-181	A.MIG-182	A.MIG-183
				A.MIG-184	A.MIG-185	A.MIG-186	A.MIG-187
				A.MIG-188	A.MIG-189	A.MIG-190	A.MIG-191
				A.MIG-192	A.MIG-193	A.MIG-194	A.MIG-195
				A.MIG-196	A.MIG-197	A.MIG-198	A.MIG-199
				A.MIG-200	A.MIG-201	A.MIG-202	A.MIG-203
				A.MIG-204	A.MIG-205	A.MIG-206	A.MIG-207
				A.MIG-208	A.MIG-209	A.MIG-210	A.MIG-211
				A.MIG-212	A.MIG-213	A.MIG-214	A.MIG-215
				A.MIG-216	A.MIG-217	A.MIG-218	A.MIG-219
				A.MIG-220	A.MIG-221	A.MIG-222	A.MIG-223
				A.MIG-224	A.MIG-225	A.MIG-226	A.MIG-227
				A.MIG-228	A.MIG-229	A.MIG-230	A.MIG-231
				A.MIG-232	A.MIG-233	A.MIG-234	A.MIG-235
				A.MIG-236	A.MIG-237	A.MIG-238	A.MIG-239
				A.MIG-240	A.MIG-241	A.MIG-242	A.MIG-243
				A.MIG-244	A.MIG-245	A.MIG-246	A.MIG-247
				A.MIG-248	A.MIG-249	A.MIG-250	A.MIG-251
				A.MIG-252	A.MIG-253	A.MIG-254	A.MIG-255
				A.MIG-256	A.MIG-257	A.MIG-258	A.MIG-259
				A.MIG-260	A.MIG-261	A.MIG-262	A.MIG-263
				A.MIG-264	A.MIG-265	A.MIG-266	A.MIG-267
				A.MIG-268	A.MIG-269	A.MIG-270	A.MIG-271
				A.MIG-272	A.MIG-273	A.MIG-274	A.MIG-275
				A.MIG-276	A.MIG-277	A.MIG-278	A.MIG-279
				A.MIG-280	A.MIG-281	A.MIG-282	A.MIG-283
				A.MIG-284	A.MIG-285	A.MIG-286	A.MIG-287
				A.MIG-288	A.MIG-289	A.MIG-290	A.MIG-291
				A.MIG-292	A.MIG-293	A.MIG-294	A.MIG-295
				A.MIG-296	A.MIG-297	A.MIG-298	A.MIG-299
				A.MIG-300	A.MIG-301	A.MIG-302	A.MIG-303
				A.MIG-304	A.MIG-305	A.MIG-306	A.MIG-307
				A.MIG-308	A.MIG-309	A.MIG-310	A.MIG-311
				A.MIG-312	A.MIG-313	A.MIG-314	A.MIG-315
				A.MIG-316	A.MIG-317	A.MIG-318	A.MIG-319
				A.MIG-320	A.MIG-321	A.MIG-322	A.MIG-323
				A.MIG-324	A.MIG-325	A.MIG-326	A.MIG-327
				A.MIG-328	A.MIG-329	A.MIG-330	A.MIG-331
				A.MIG-332	A.MIG-333	A.MIG-334	A.MIG-335
				A.MIG-336	A.MIG-337	A.MIG-338	A.MIG-339
				A.MIG-340	A.MIG-341	A.MIG-342	A.MIG-343
				A.MIG-344	A.MIG-345	A.MIG-346	A.MIG-347
				A.MIG-348	A.MIG-349	A.MIG-350	A.MIG-351
				A.MIG-352	A.MIG-353	A.MIG-354	A.MIG-355
				A.MIG-356	A.MIG-357	A.MIG-358	A.MIG-359
				A.MIG-360	A.MIG-361	A.MIG-362	A.MIG-363
				A.MIG-364	A.MIG-365	A.MIG-366	A.MIG-367
				A.MIG-368	A.MIG-369	A.MIG-370	A.MIG-371
				A.MIG-372	A.MIG-373	A.MIG-374	A.MIG-375
				A.MIG-376	A.MIG-377	A.MIG-378	A.MIG-379
				A.MIG-380	A.MIG-381	A.MIG-382	A.MIG-383
				A.MIG-384	A.MIG-385	A.MIG-386	A.MIG-387
				A.MIG-388	A.MIG-389	A.MIG-390	A.MIG-391
				A.MIG-392	A.MIG-393	A.MIG-394	A.MIG-395
				A.MIG-396	A.MIG-397	A.MIG-398	A.MIG-399
				A.MIG-400	A.MIG-401	A.MIG-402	A.MIG-403
				A.MIG-404	A.MIG-405	A.MIG-406	A.MIG-407
				A.MIG-408	A.MIG-409	A.MIG-410	A.MIG-411
				A.MIG-412	A.MIG-413	A.MIG-414	A.MIG-415
				A.MIG-416	A.MIG-417	A.MIG-418	A.MIG-419
				A.MIG-420	A.MIG-421	A.MIG-422	A.MIG-423
				A.MIG-424	A.MIG-425	A.MIG-426	A.MIG-427
				A.MIG-428	A.MIG-429	A.MIG-430	A.MIG-431
				A.MIG-432	A.MIG-433	A.MIG-434	A.MIG-435
				A.MIG-436	A.MIG-437	A.MIG-438	A.MIG-439
				A.MIG-440	A.MIG-441	A.MIG-442	A.MIG-443
				A.MIG-444	A.MIG-445	A.MIG-446	A.MIG-447
				A.MIG-448	A.MIG-449	A.MIG-450	A.MIG-451
				A.MIG-452	A.MIG-453	A.MIG-454	A.MIG-455
				A.MIG-456	A.MIG-457	A.MIG-458	A.MIG-459
				A.MIG-460	A.MIG-461	A.MIG-462	A.MIG-463
				A.MIG-464	A.MIG-465	A.MIG-466	A.MIG-467
				A.MIG-468	A.MIG-469	A.MIG-470	A.MIG-471
				A.MIG-472	A.MIG-473	A.MIG-474	A.MIG-475
				A.MIG-476	A.MIG-477	A.MIG-478	A.MIG-479
				A.MIG-480	A.MIG-481	A.MIG-482	A.MIG-483
				A.MIG-484	A.MIG-485	A.MIG-486	A.MIG-487
				A.MIG-488	A.MIG-489	A.MIG-490	A.MIG-491
				A.MIG-492	A.MIG-493	A.MIG-494	A.MIG-495
				A.MIG-496	A.MIG-497	A.MIG-498	A.MIG-499
				A.MIG-500			