

Soviet 2S7M Self-Propelled Gun

苏联2S7M自行火炮

READ BEFORE ASSEMBLY:

- Study and understand these instructions thoroughly before beginning assembly
- When needed, remove photo-etch parts carefully using a modeling knife or photo etch sprue cutter, being careful not to damage or lose small parts.
- Take extra care in handling photo etch parts in order to avoid injury
- Apply instant cement sparingly to photo etch parts where instructed
- Tools recommended(not included in kit):Plastic and instant cements, sprue cutters,long nose pliers,modeling knife, small files, tweezers, pin vise & scissors. Soft cloth and sandpaper will also assist in construction
- Glue and paint are not included in the kit. Use plastic cement and hobby paints only. Color guide for purchasing paint is included in the kit.

装配之前仔细阅读

- 小心用模型锉刀锉平所有零件表面的注射浇口。
- 小心用刀片切下蚀刻片零件，不要遗失小零件。
- 用强力快干胶水粘合蚀刻片零件和金属轴。过量快干胶水使用可能导致可动零件会粘住，小心涂胶。
- 取蚀刻片时应特别注意安全，防止利边划伤手指。
- 某些零件表面需贴水上水贴纸，请选择在装配的同时进行。
- 推荐模型工具(自备)：胶水，水口剪刀，长咀钳，刀片，锉刀，镊子，钳，钻，剪刀，瞬间快干胶。
- 软布同砂纸同时也应该是必备工具。
- 请使用塑料胶水和油漆，模型内不含。



配重
Weight



使用强力胶
Cyanoacrylate glue



钻孔
Make hole



切除
Cut / Remove



贴纸
Decal



锉平
File / Sand



选择
Option



不涂胶水
No cement



弯曲
Bend

水贴纸的使用:

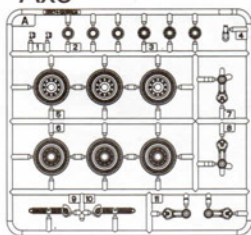
- 1.从水贴纸上剪下印花;
- 2.将印花放入温水中浸10秒, 然后放在干净布上。
- 3.拿着印花纸板将印花移到模型上;
- 4.手指蘸水将印花移到适当的位置;
- 5.用软布轻压印花直至水干, 气泡消失

DECAL APPLICATION

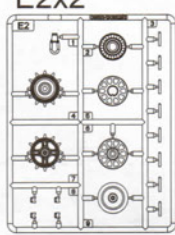
- 1.Cut decals from sheet as needed
- 2.Dip the decal in warm water for about 10 seconds and then place on soft clean cloth.
- 3.Hold the decal backing sheet edge and gently slide the decal onto the model in its proper position.
- 4.While still wet,decal can be adjusted for better fit on model by dampening it gently with your finger.
- 5.When placed in the proper position,gently press decal down with a soft cloth until excess water and air bubbles are gone.
- 6.Allow decal to dry completely before handling model

部品图
Parts

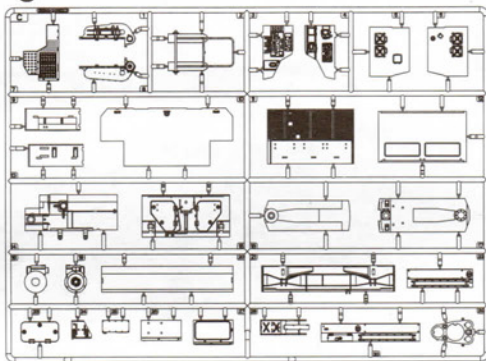
Ax5



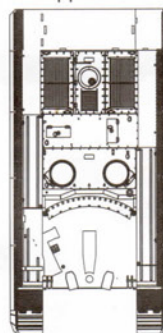
E2x2



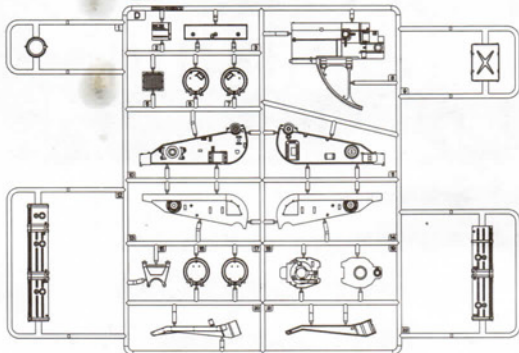
C



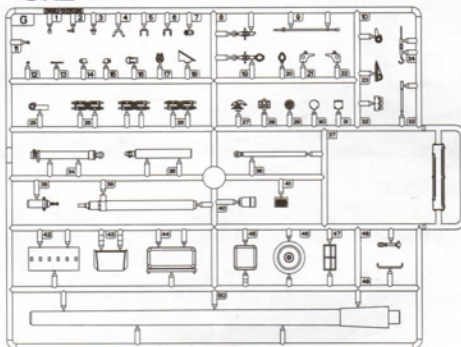
《车面》
Upper hull



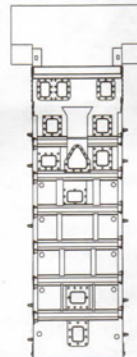
D



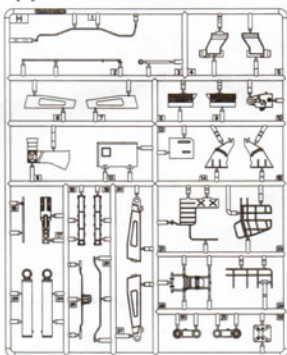
Gx2



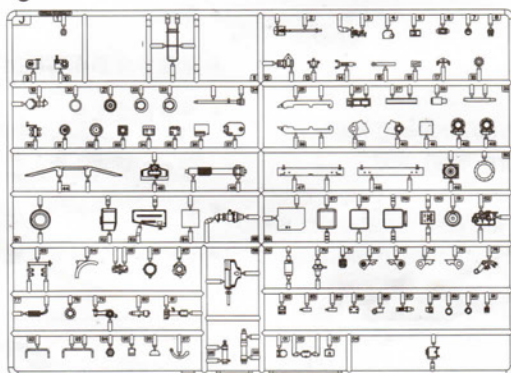
《车底》
lower hull



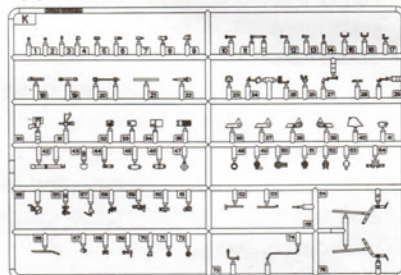
H



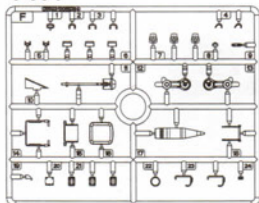
J



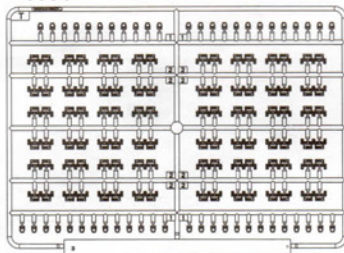
K



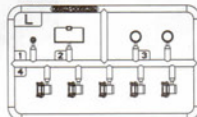
Fx4



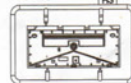
Tx4



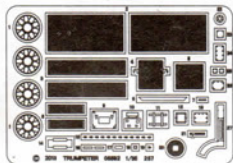
Lx2



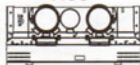
H3



《蚀刻片》
PE



H33



《轮胎》x2



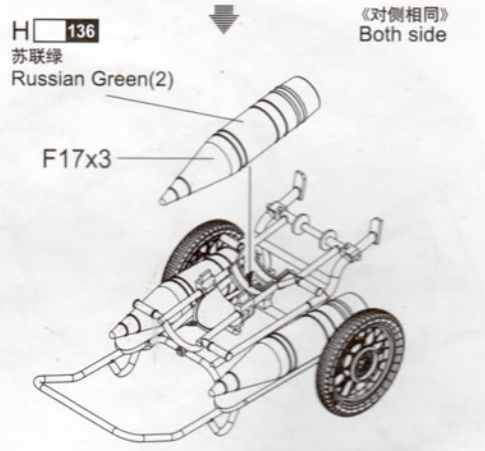
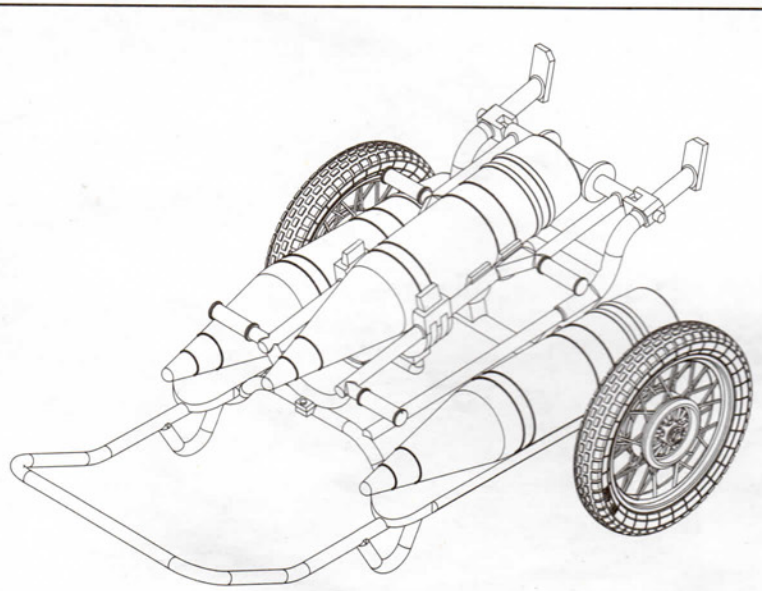
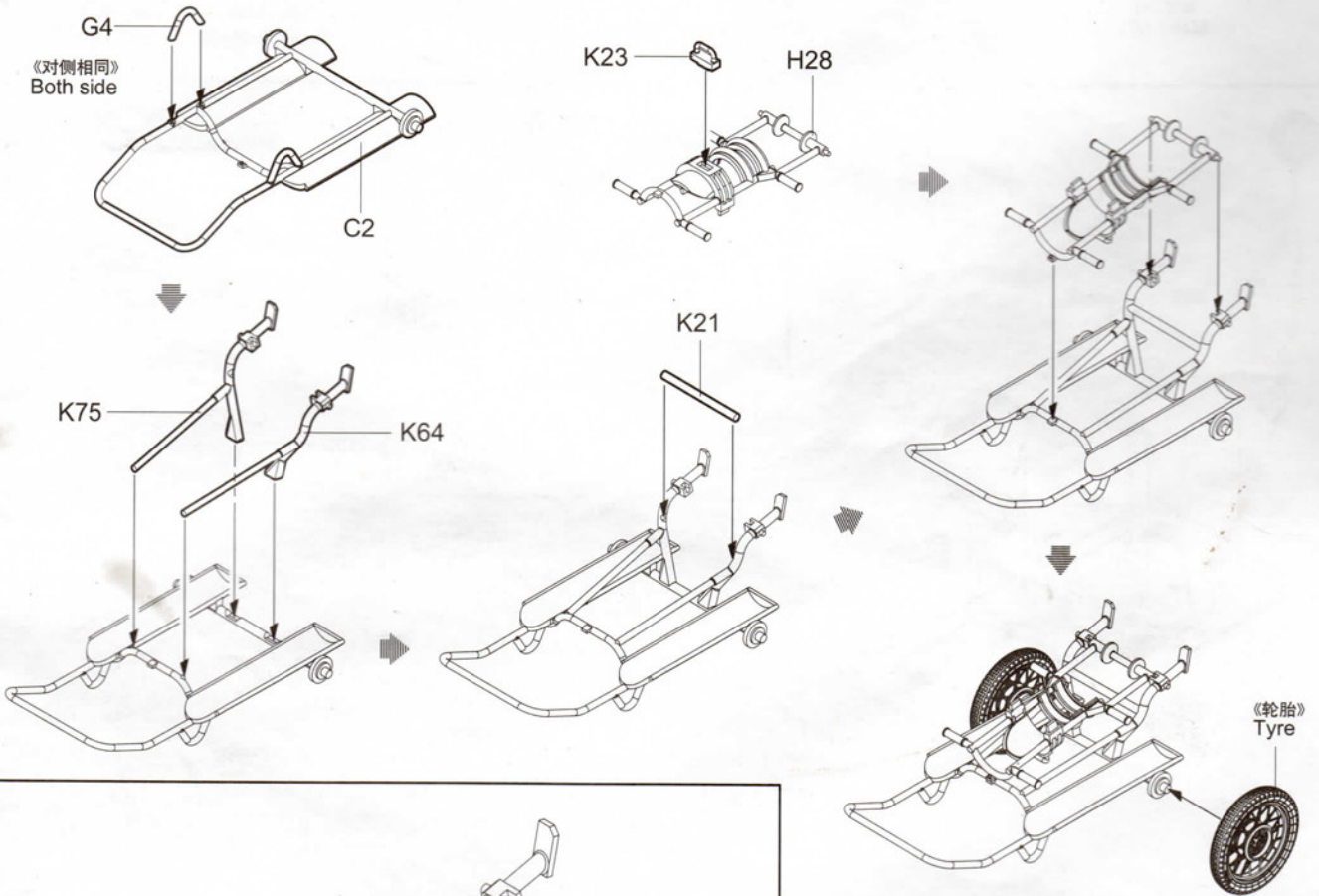
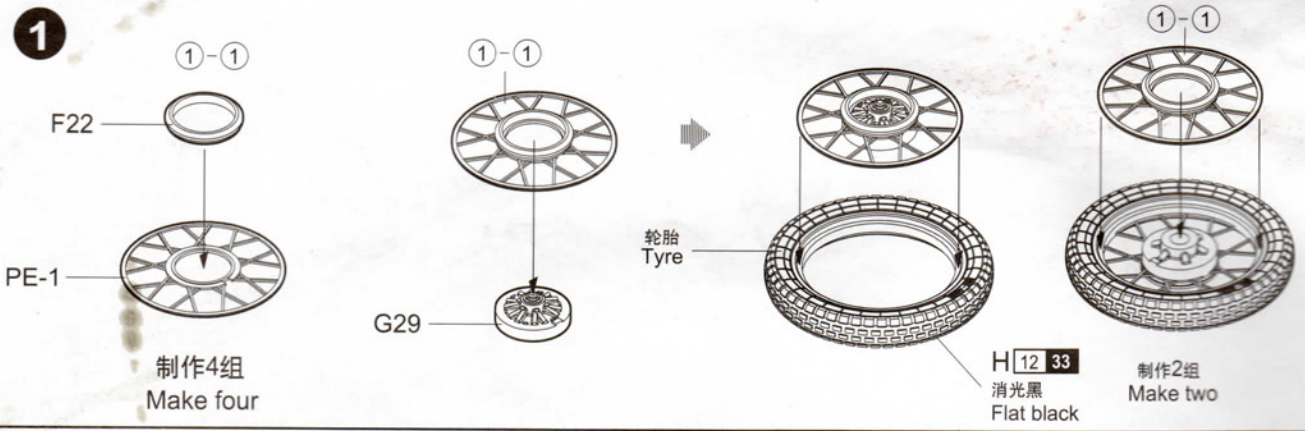
《铜缆》
Brass Wire



《水贴纸》
Decal

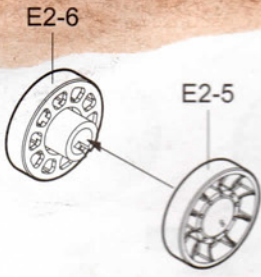


1



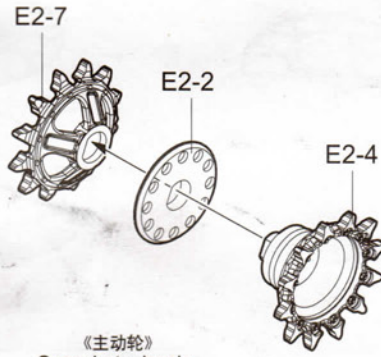
2

车轮组装
Wheels assembly



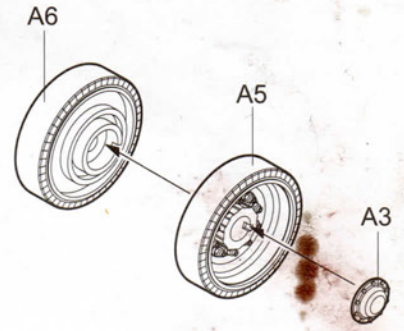
《诱导轮》
Idler wheels

制作2组
Make two



《主动轮》
Sprocket wheels

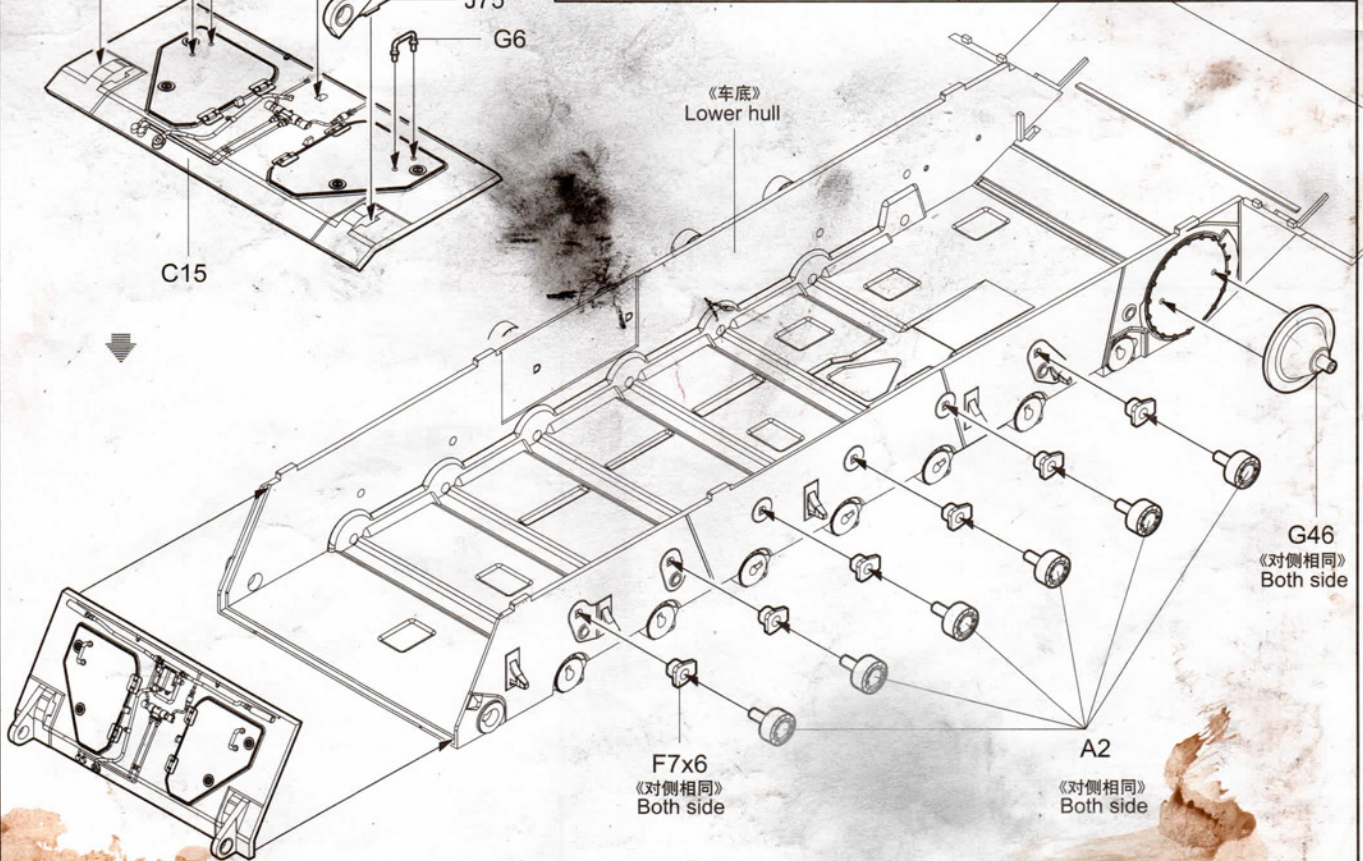
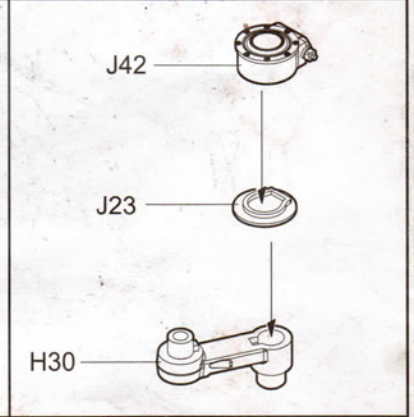
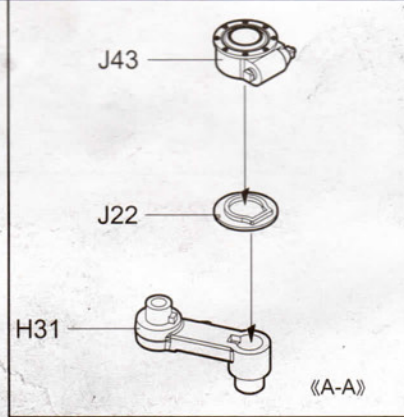
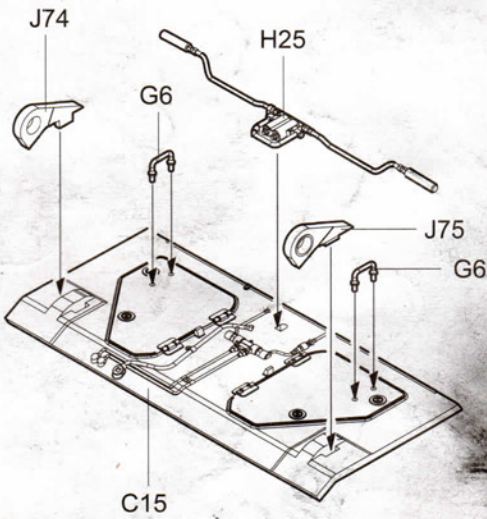
制作2组
Make two



《负重轮》
Road wheels

制作14组
Make fourteen

3



《车底》
Lower hull

F7x6
《对侧相同》
Both side

A2
《对侧相同》
Both side

G46
《对侧相同》
Both side

4

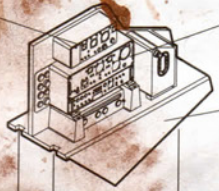
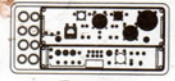
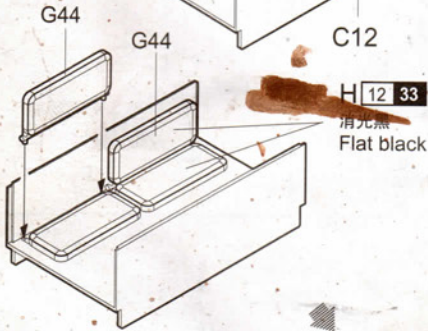
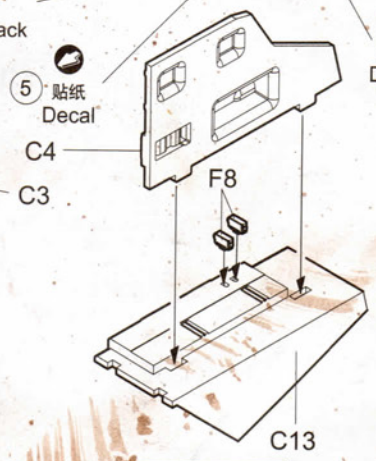
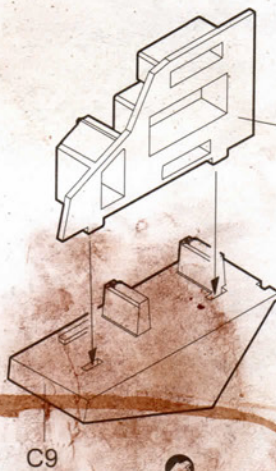
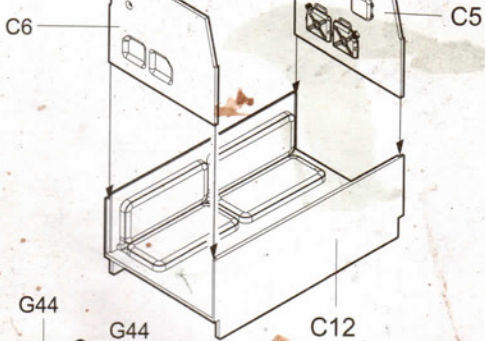
H 12 33
消光黑
Flat black

H 307 307
灰色
Dark Compass Ghost Grey

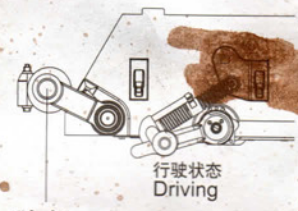
贴纸
Decal
6

H 12 33
消光黑
Flat black

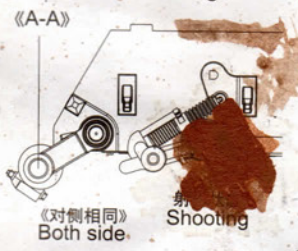
贴纸
Decal
7



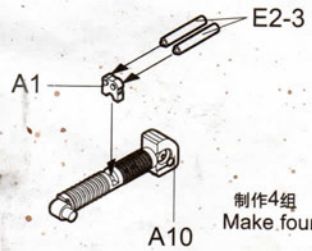
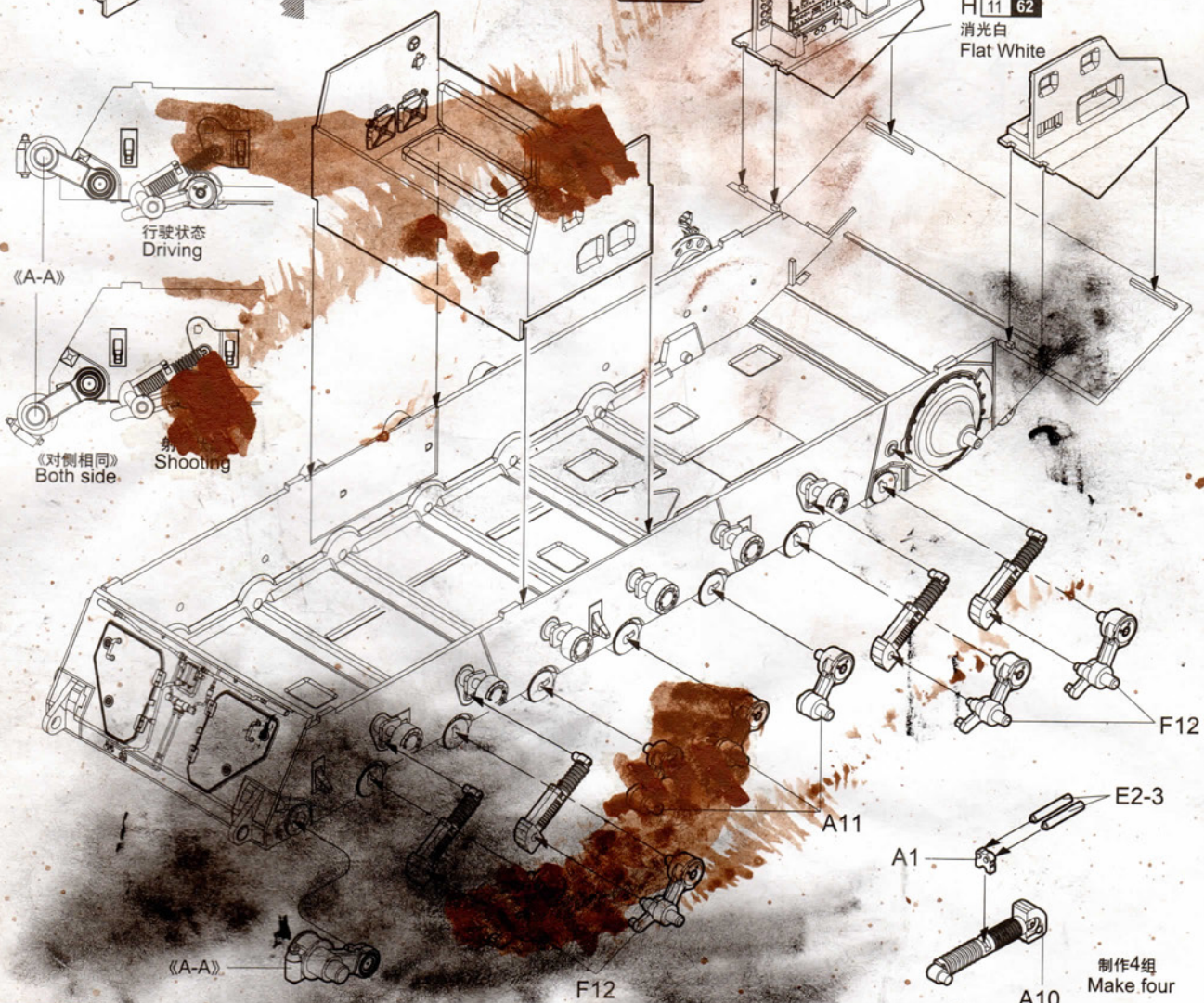
H 11 62
消光白
Flat White



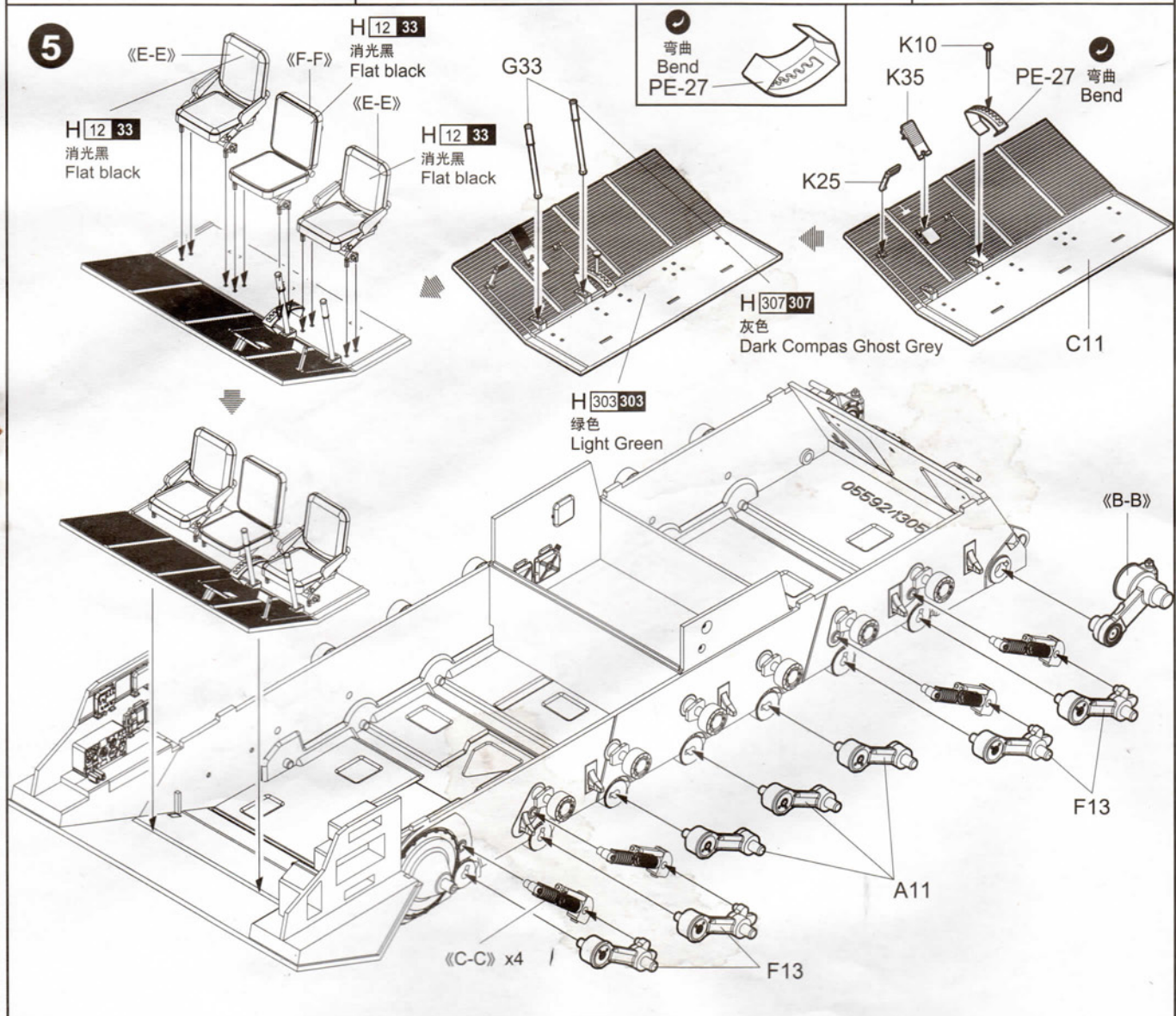
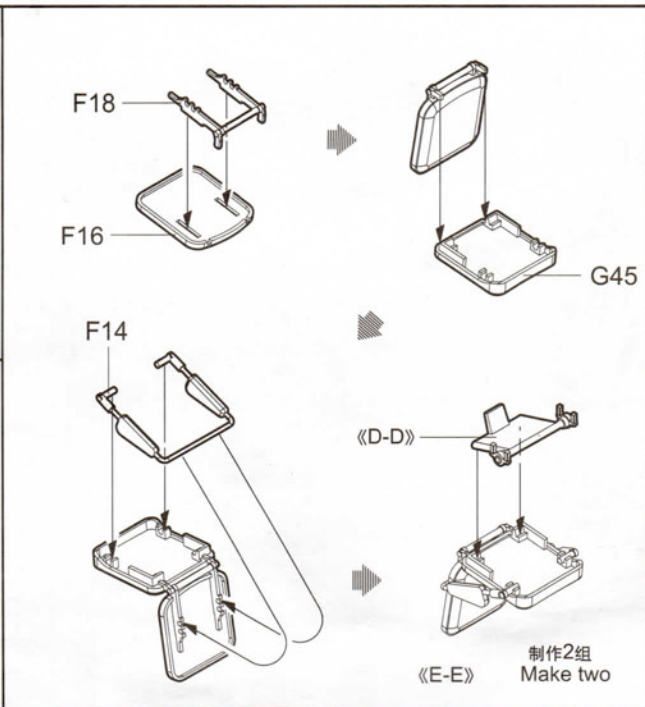
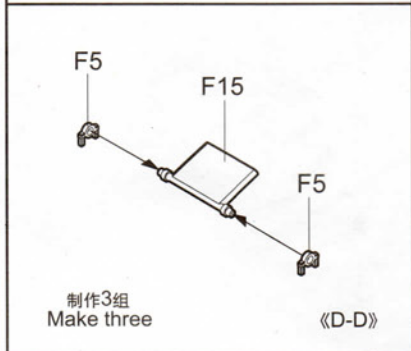
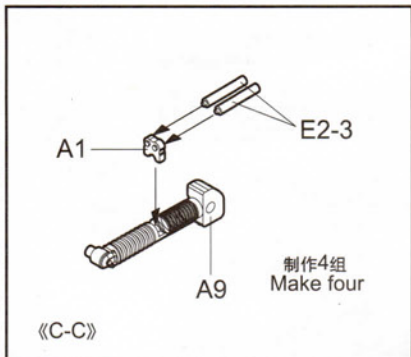
行驶状态
Driving



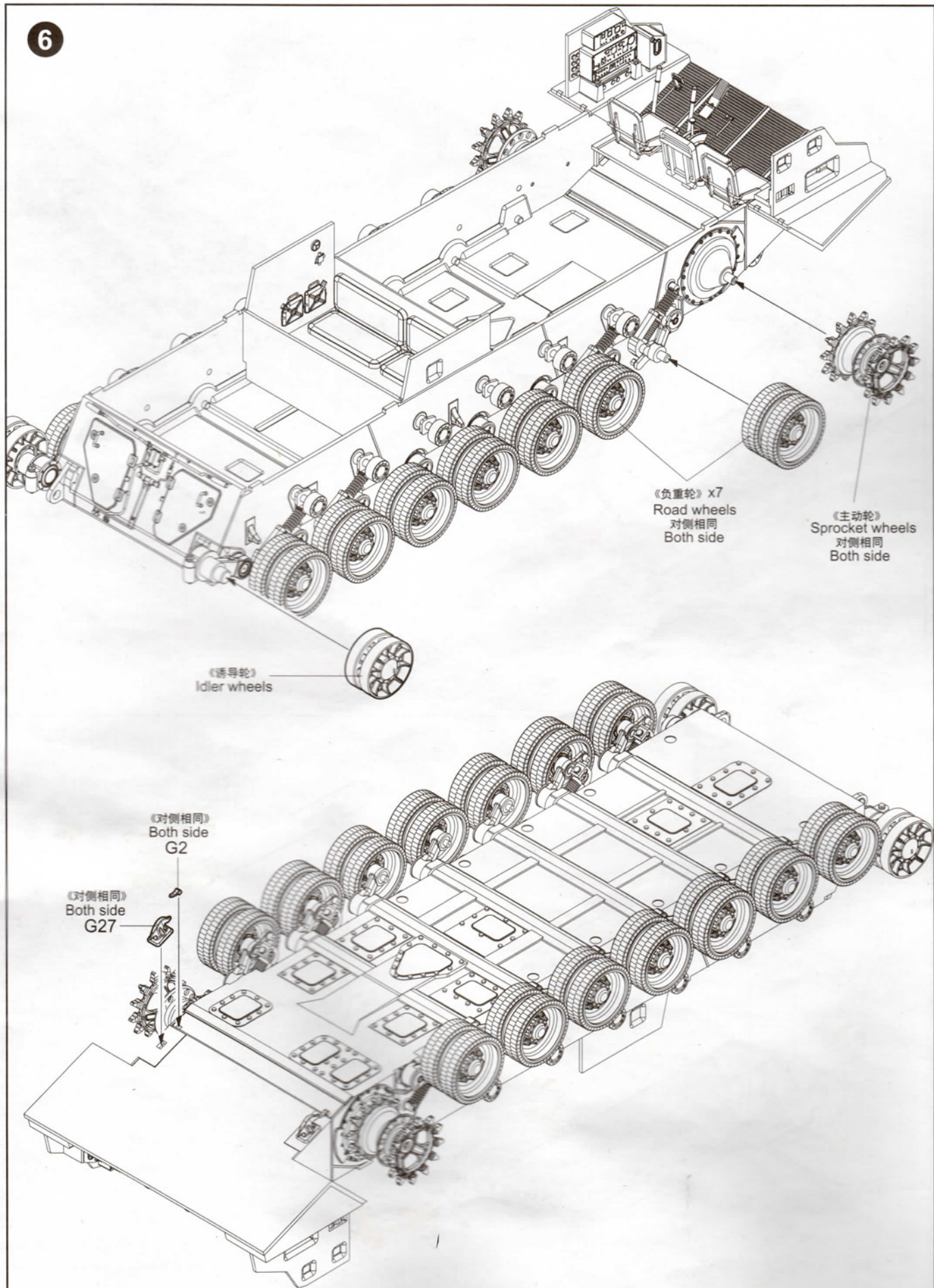
《对侧相同》
Both side
射击
Shooting



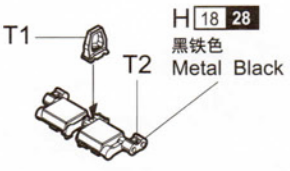
制作4组
Make four



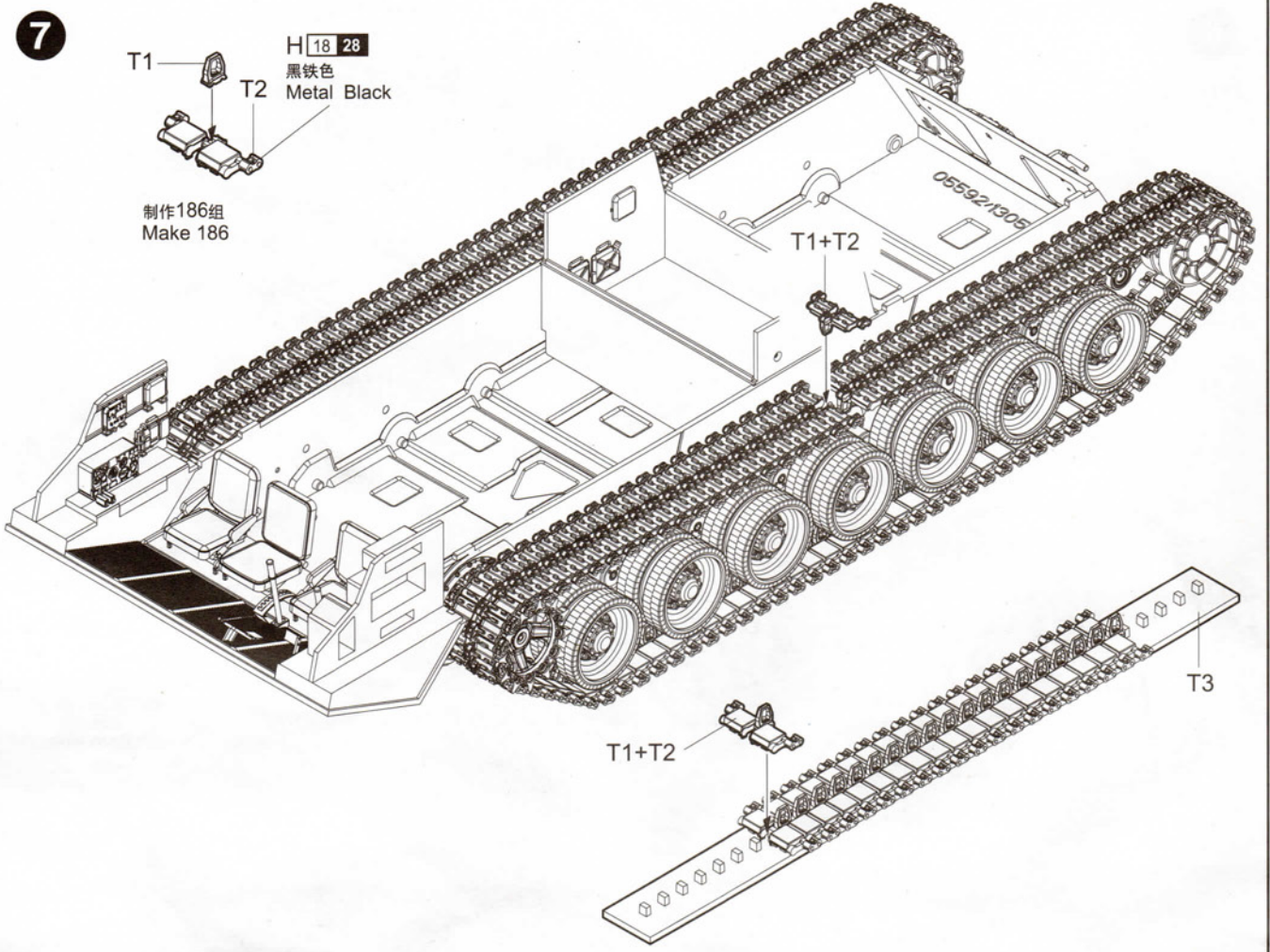
6



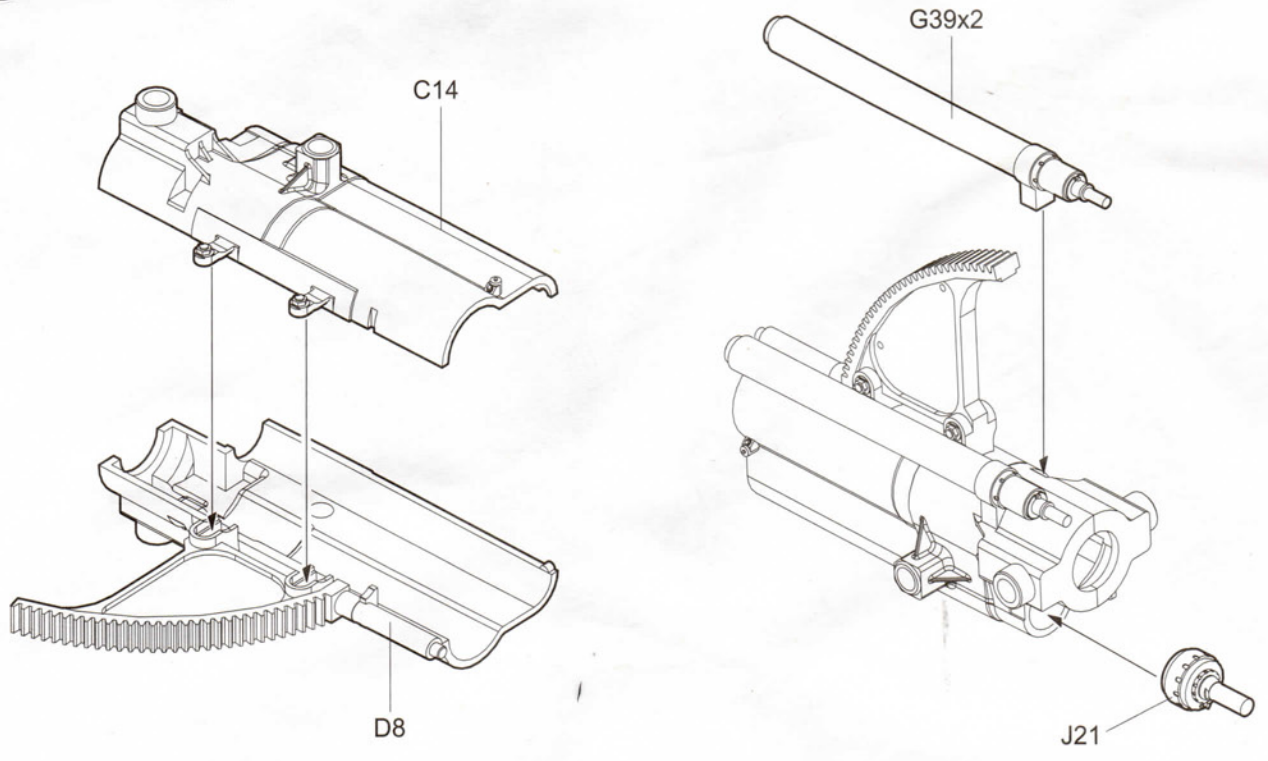
7



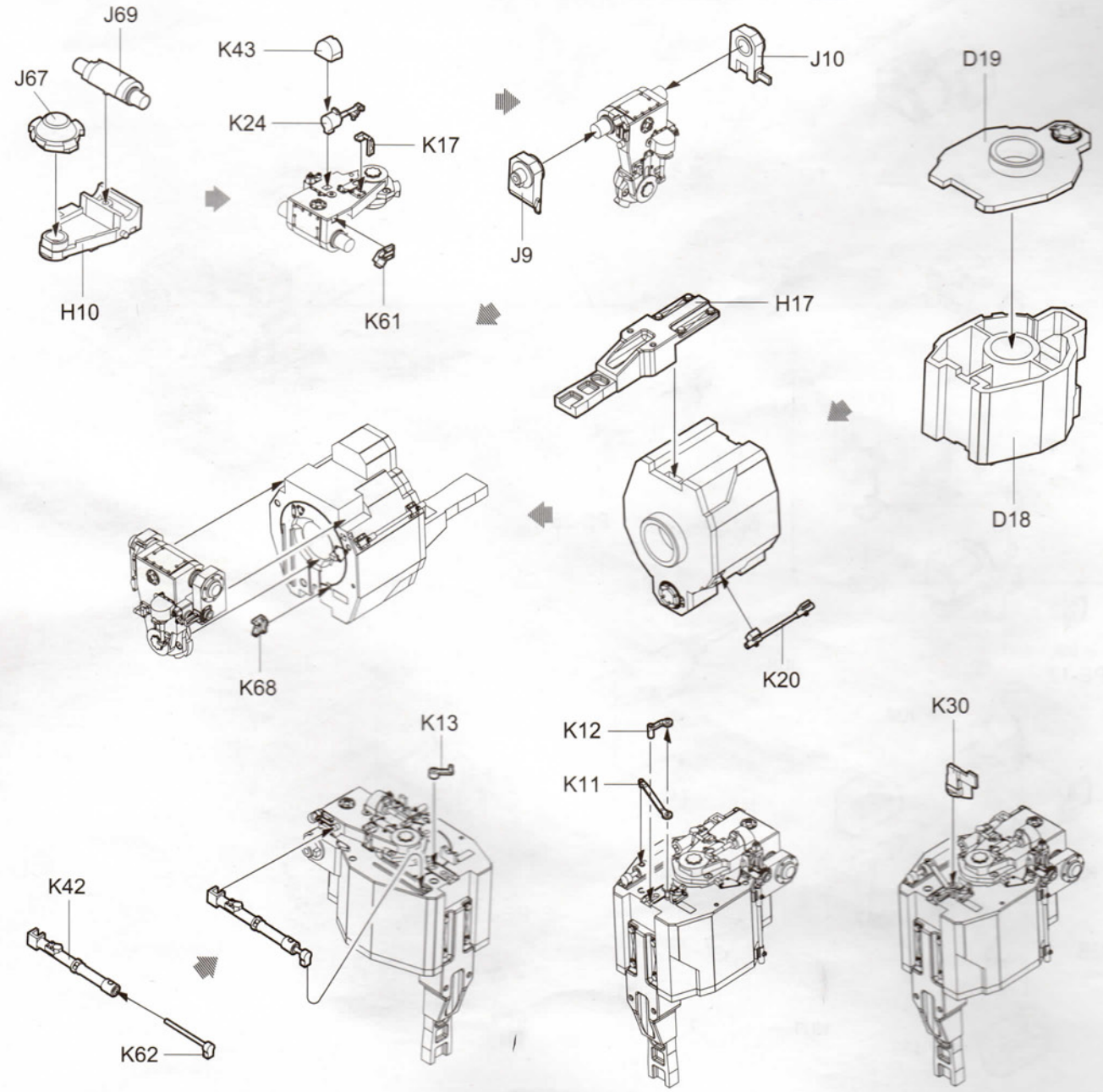
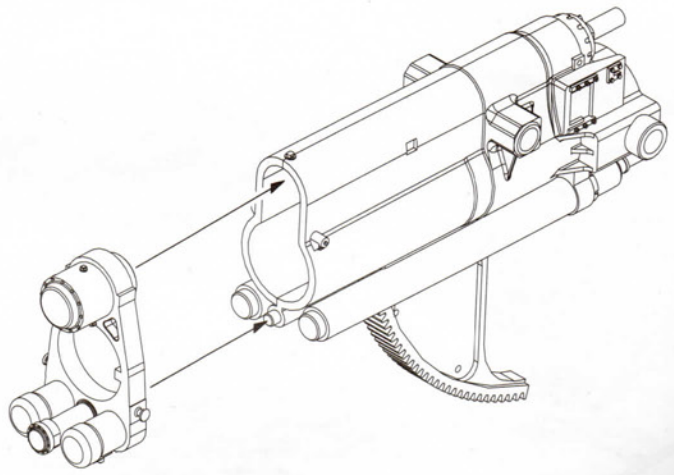
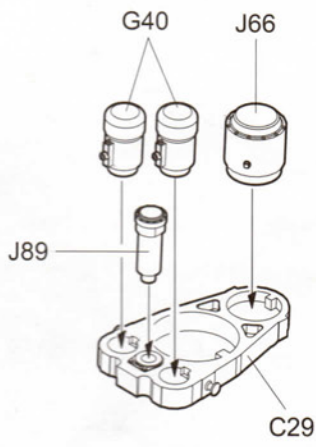
制作186组
Make 186



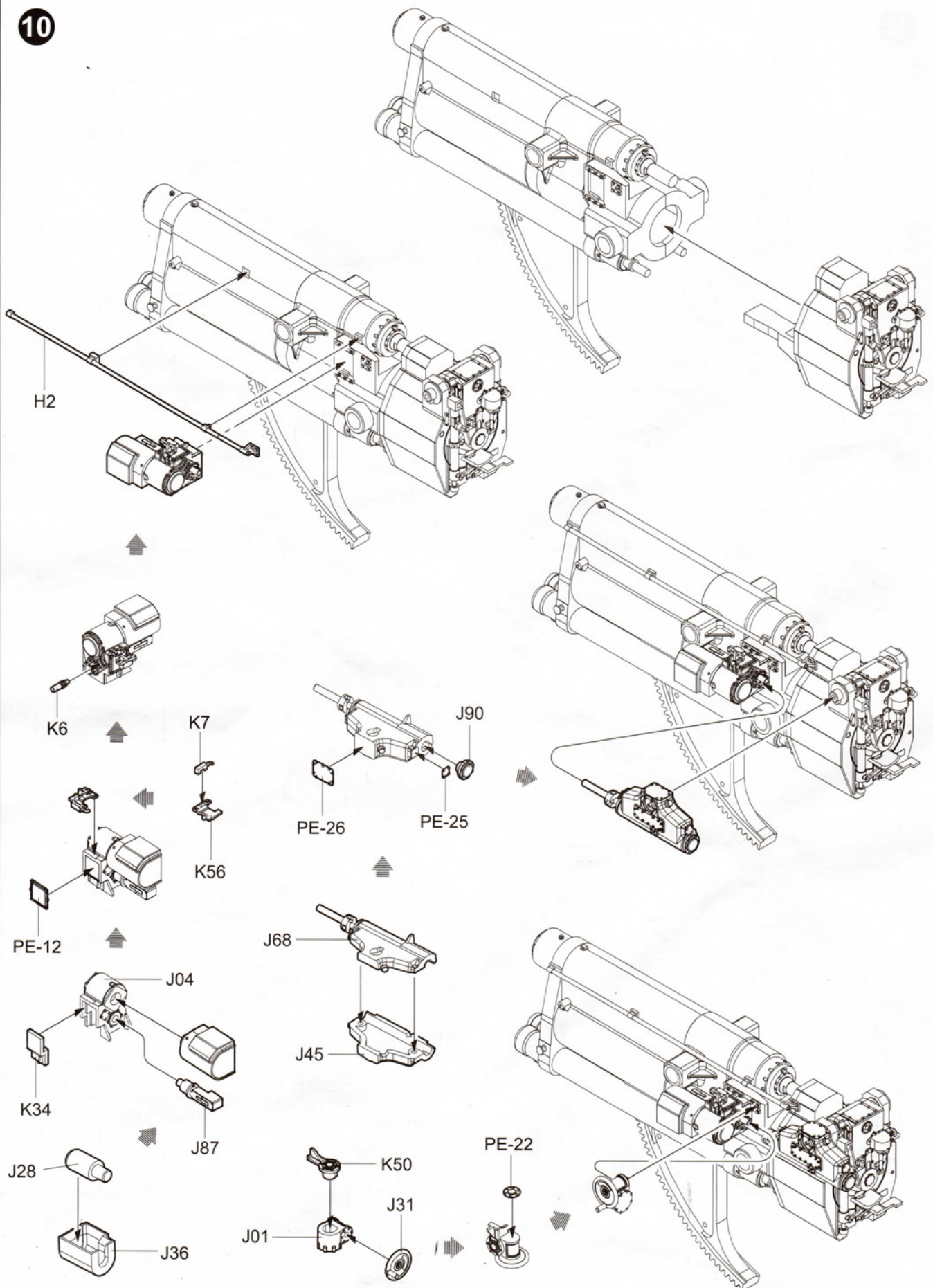
8



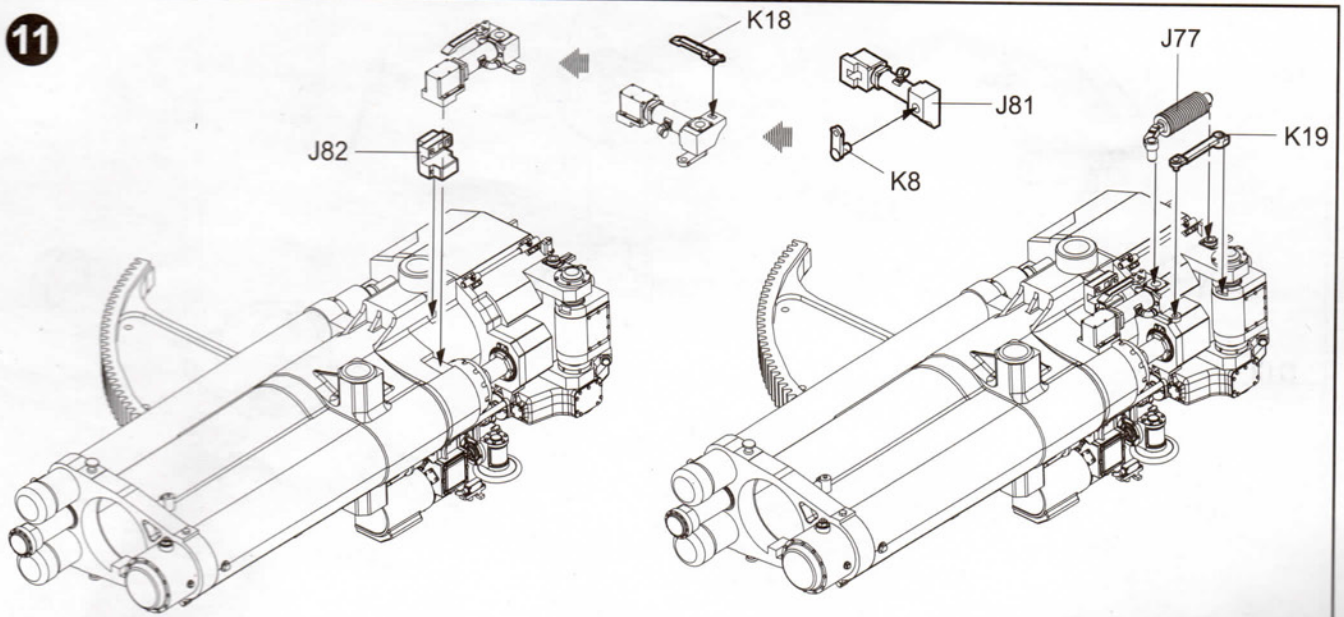
9



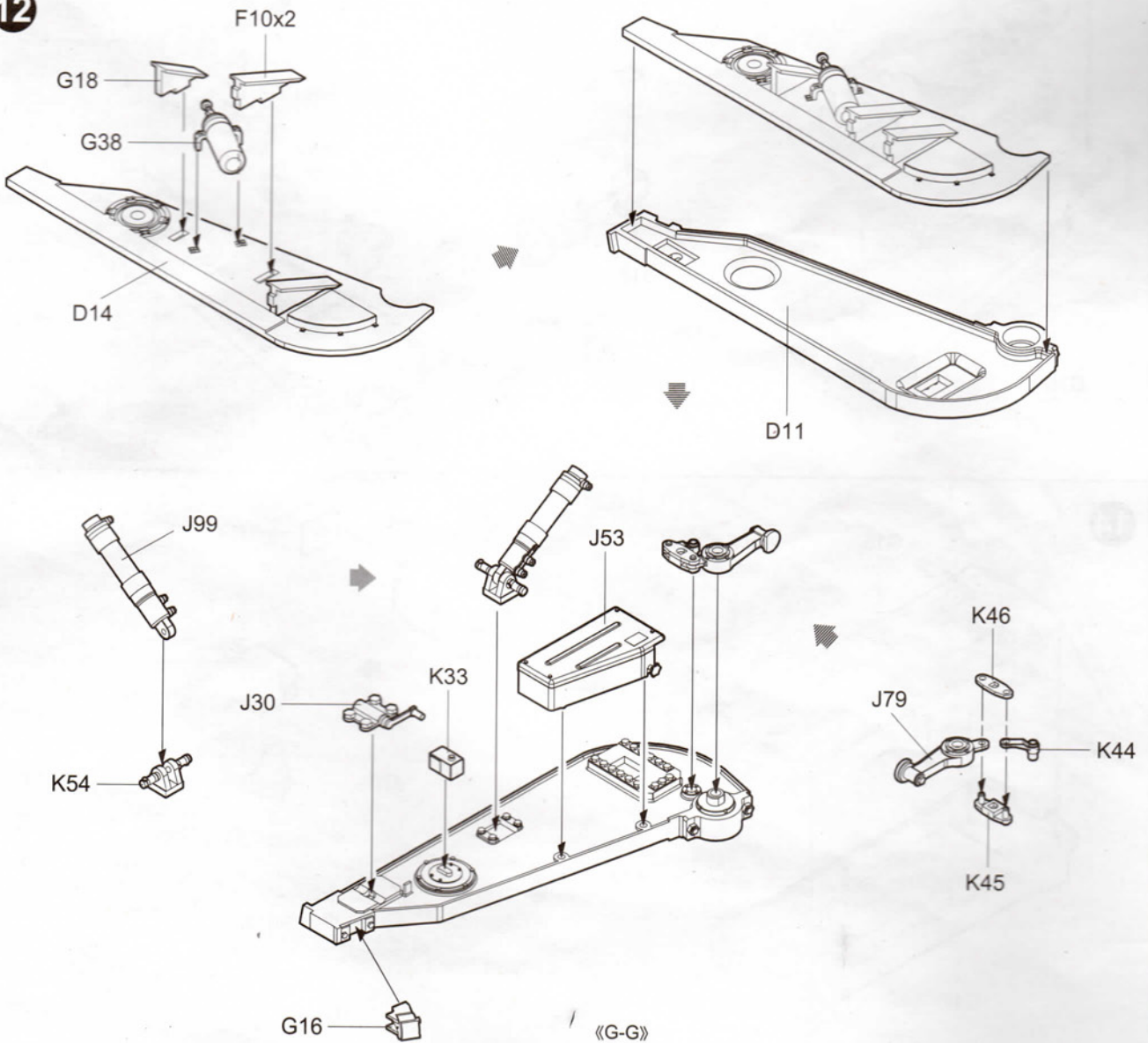
10



11

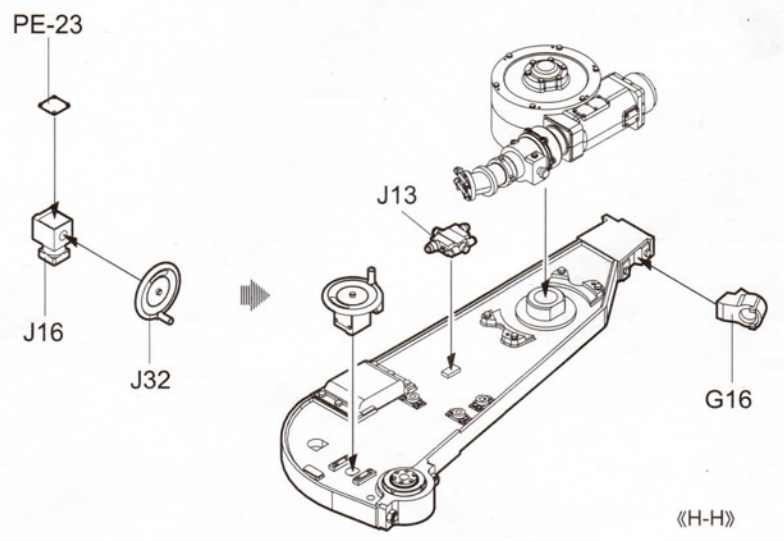
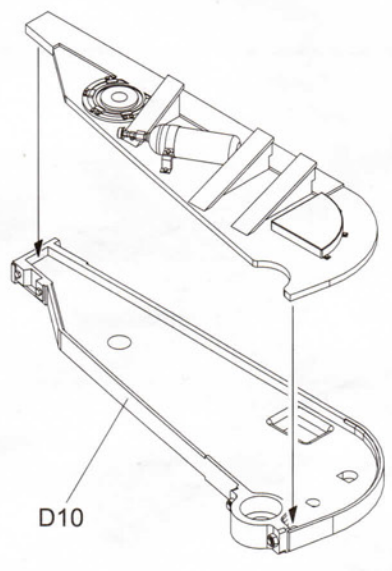
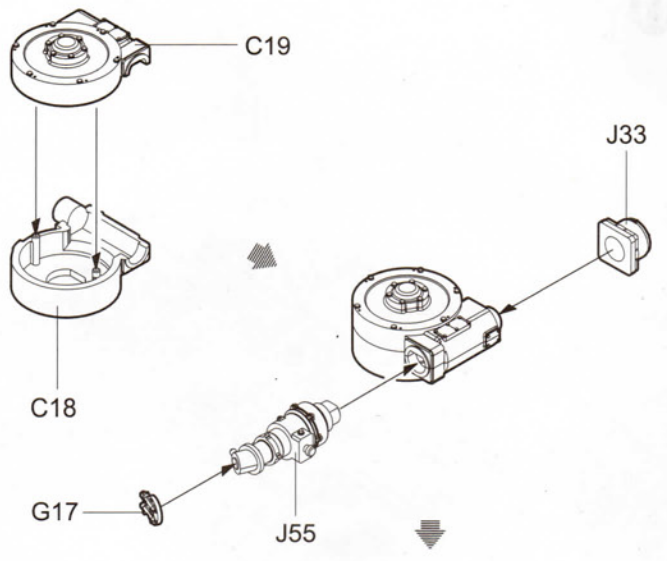
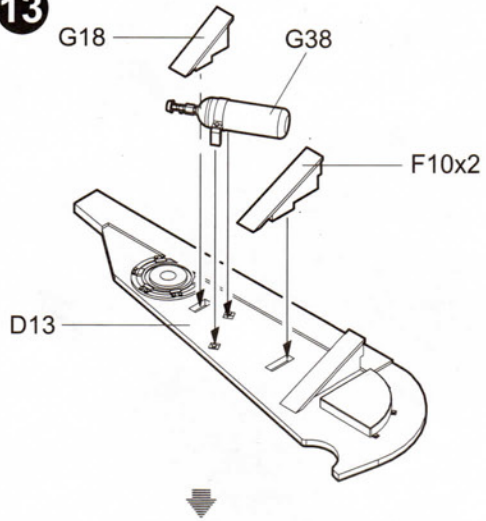


12



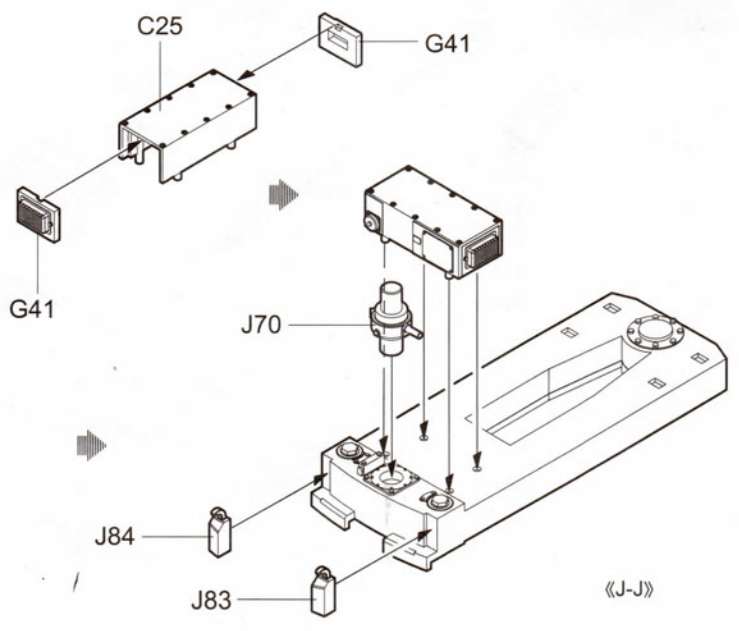
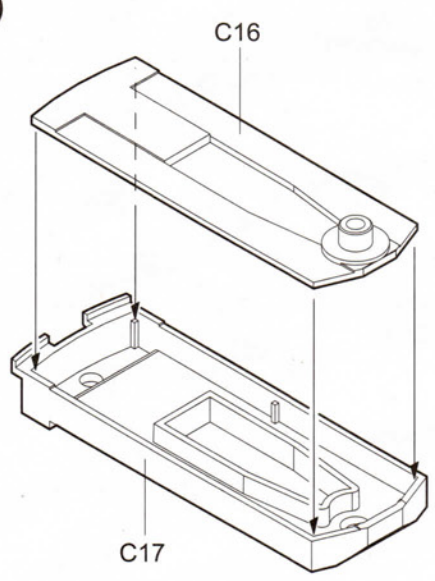
«G-G»

13

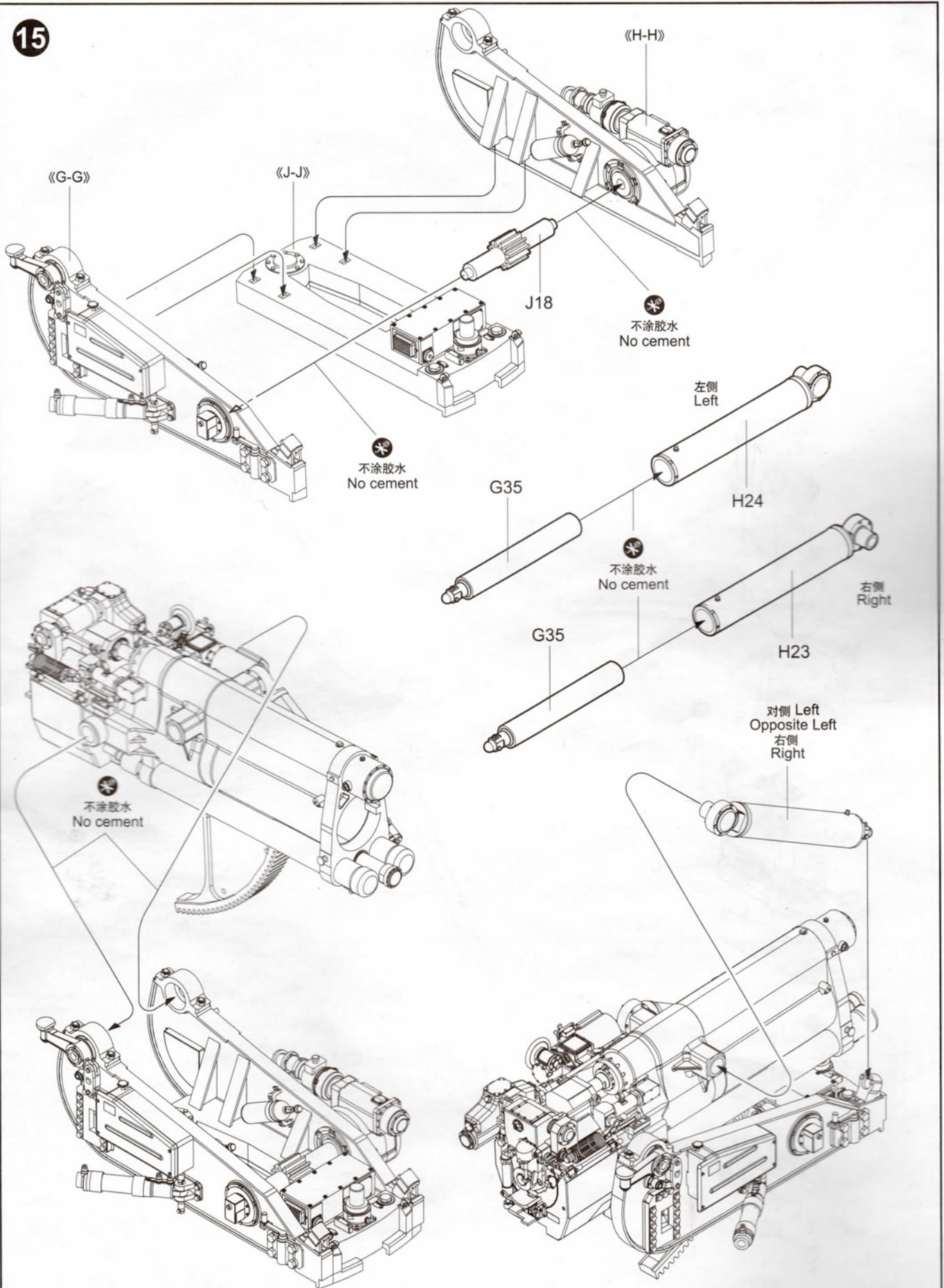


«H-H»

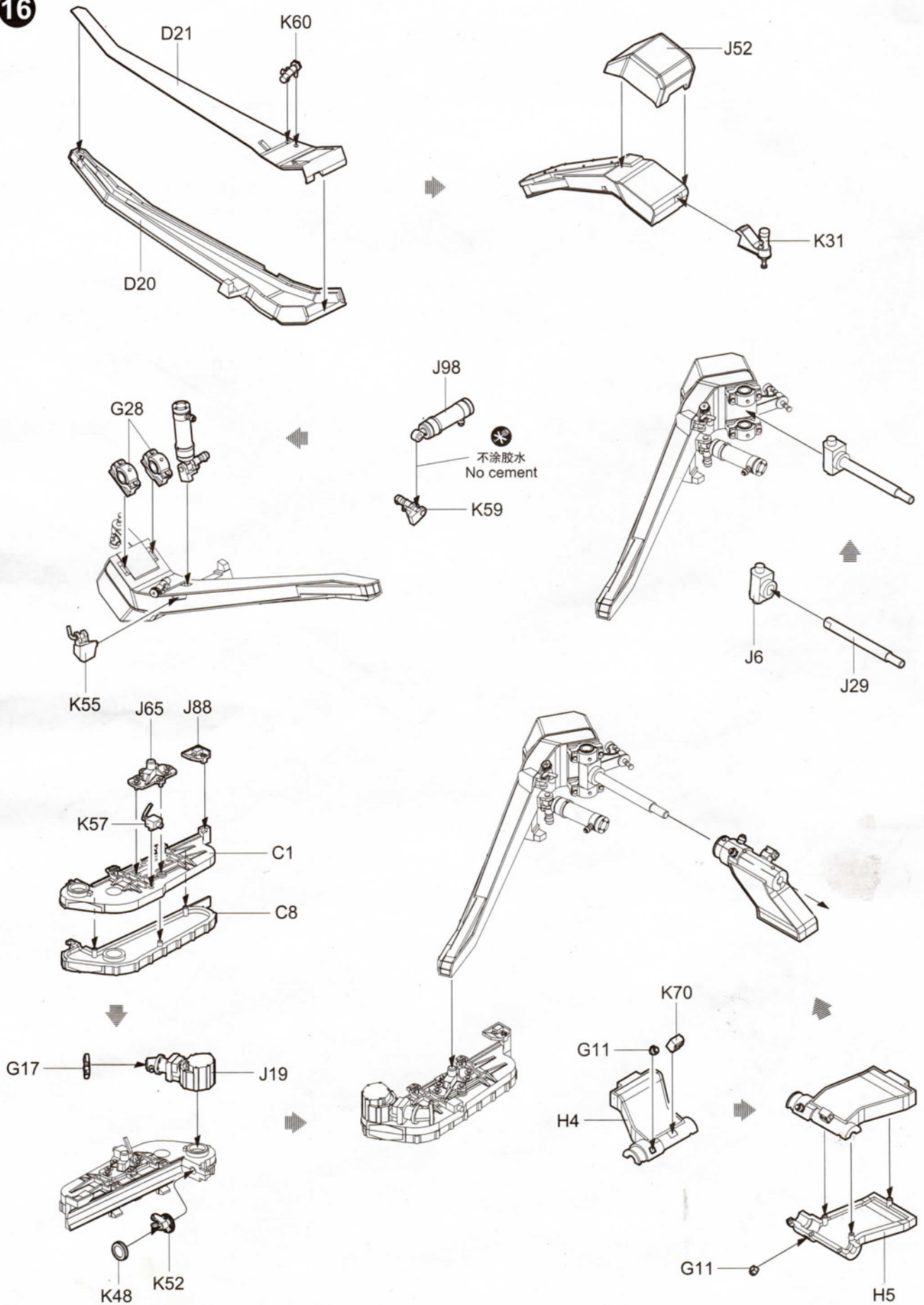
14

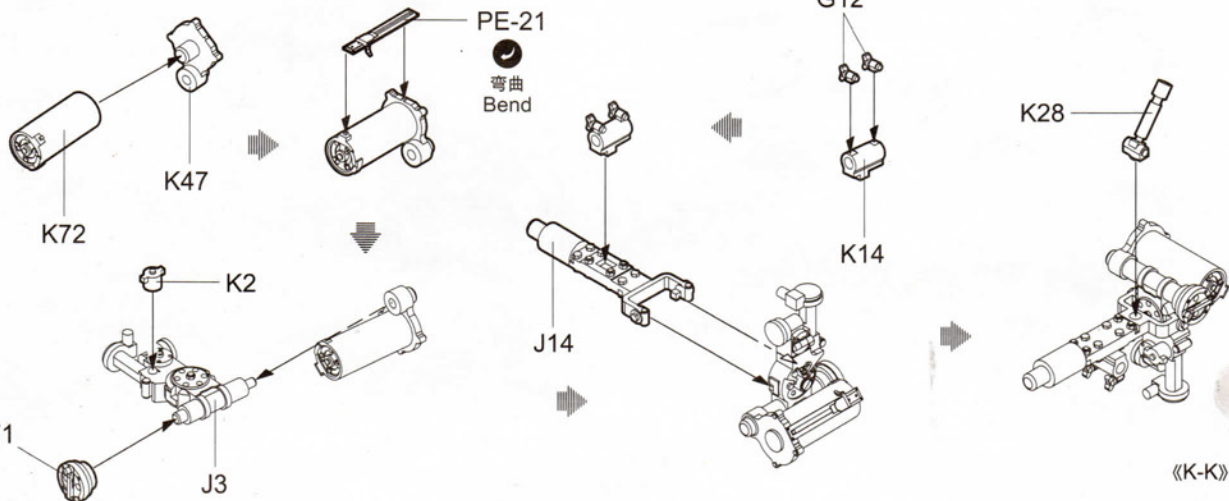
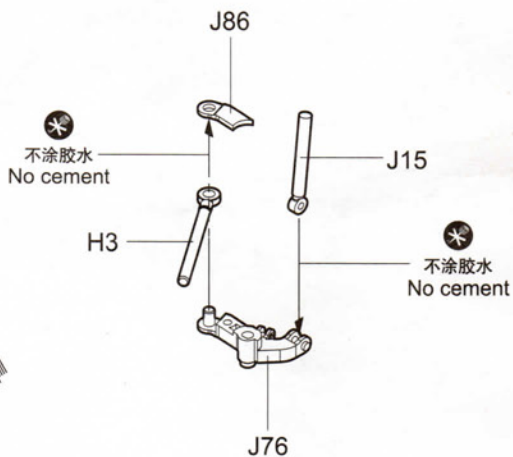
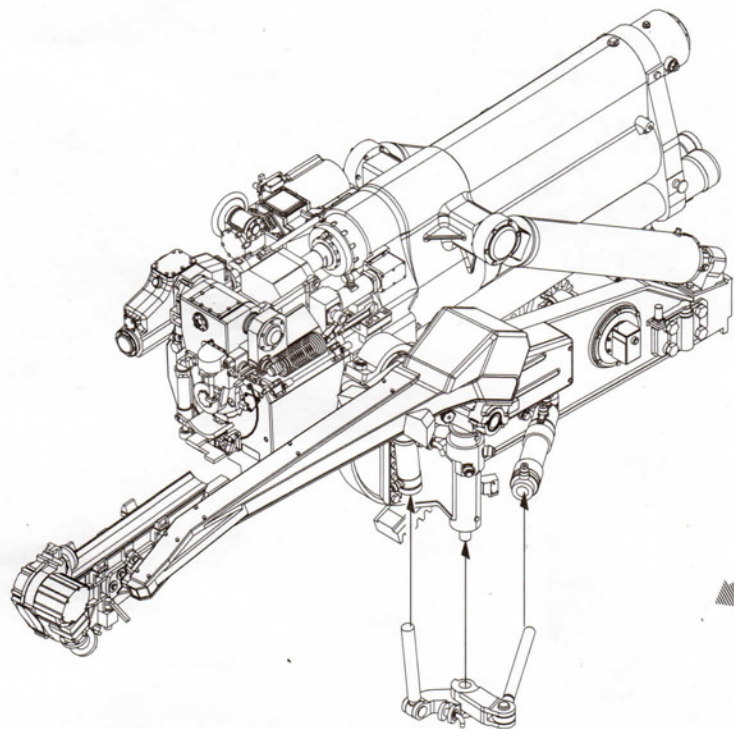
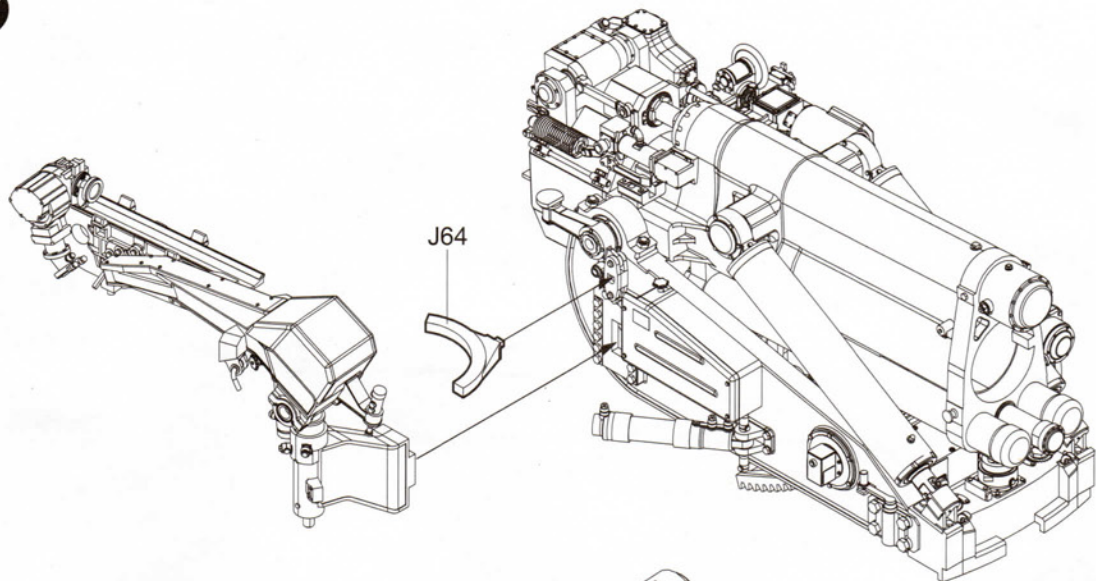


«J-J»

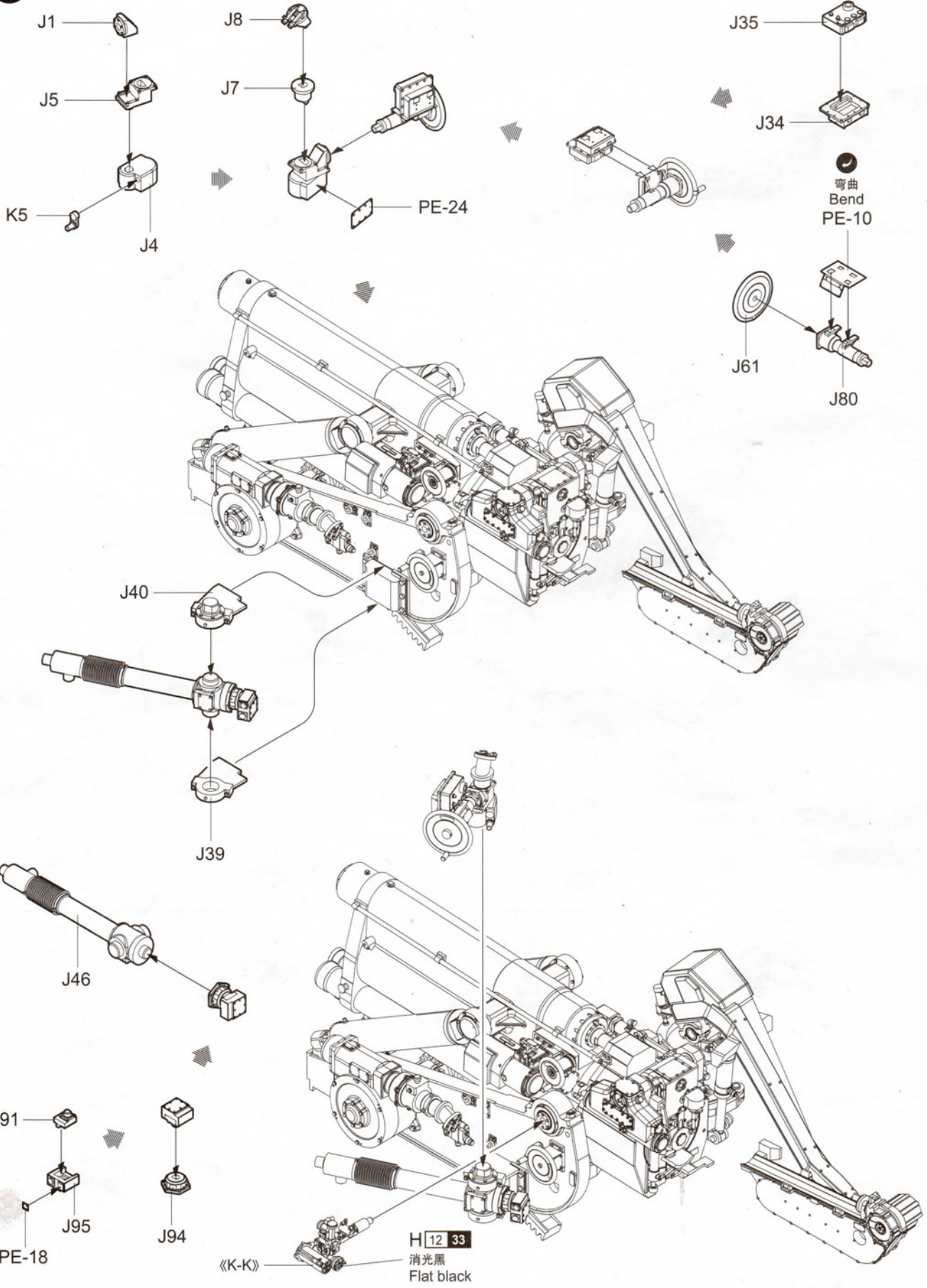


16

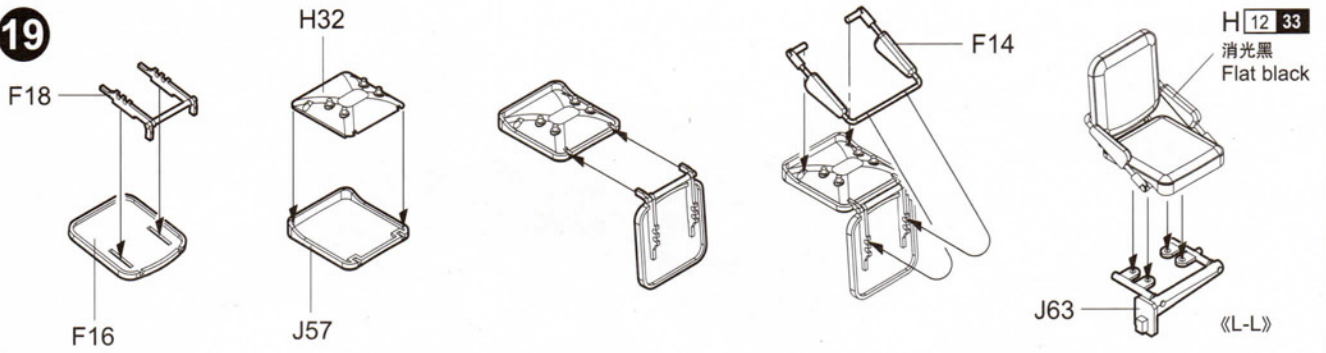




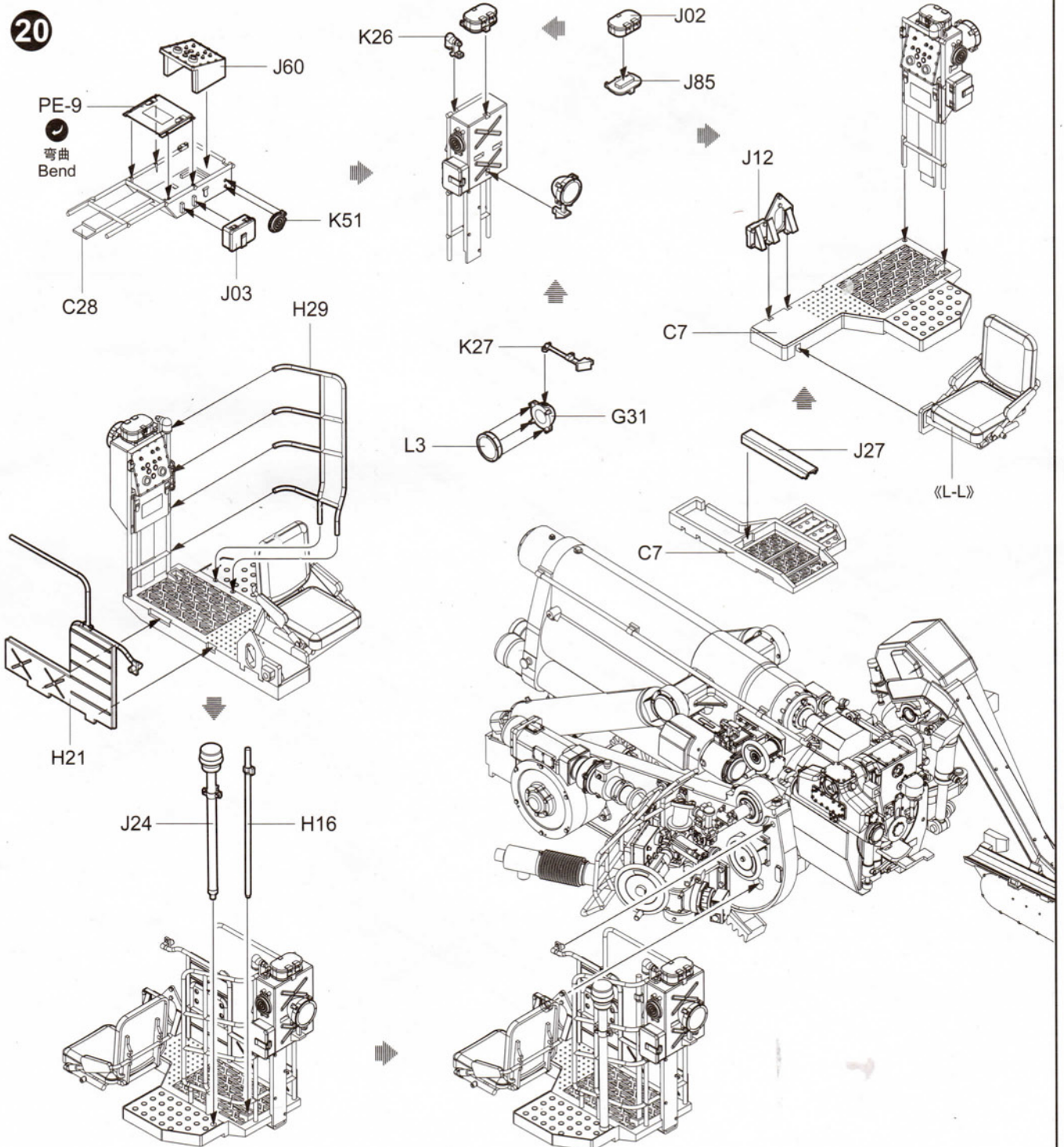
18



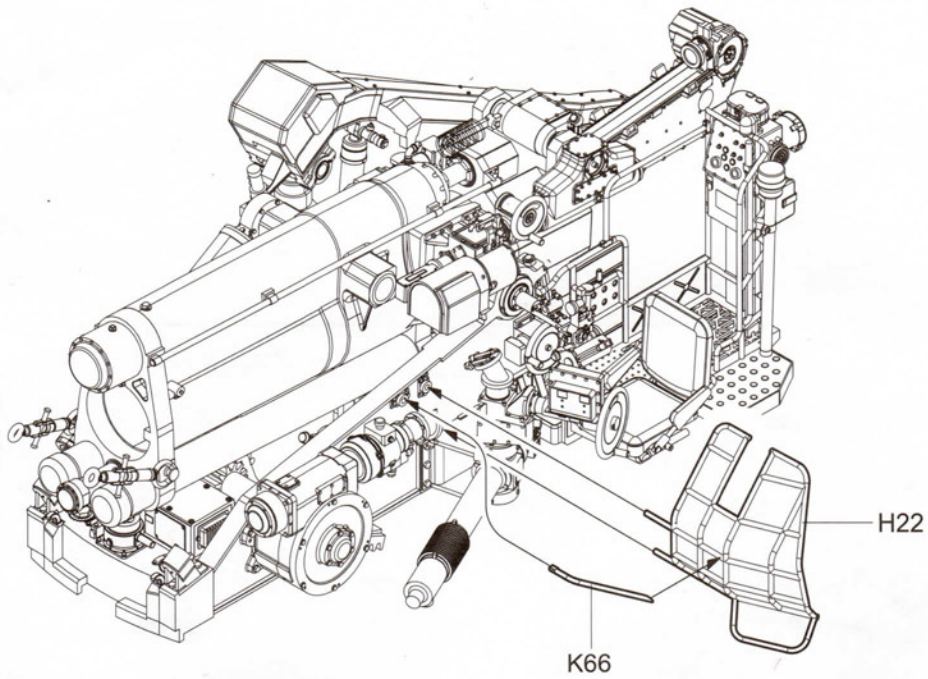
19



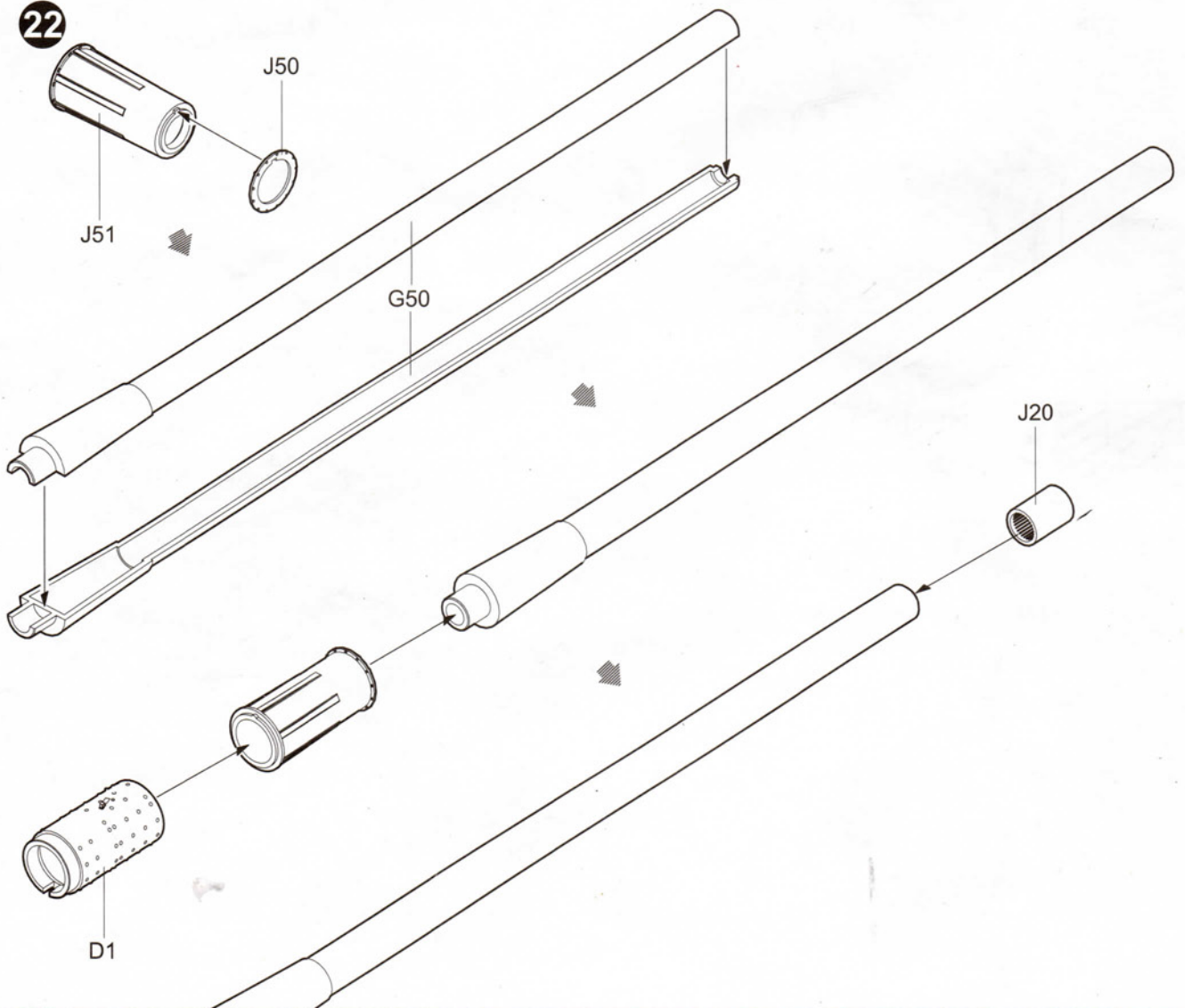
20



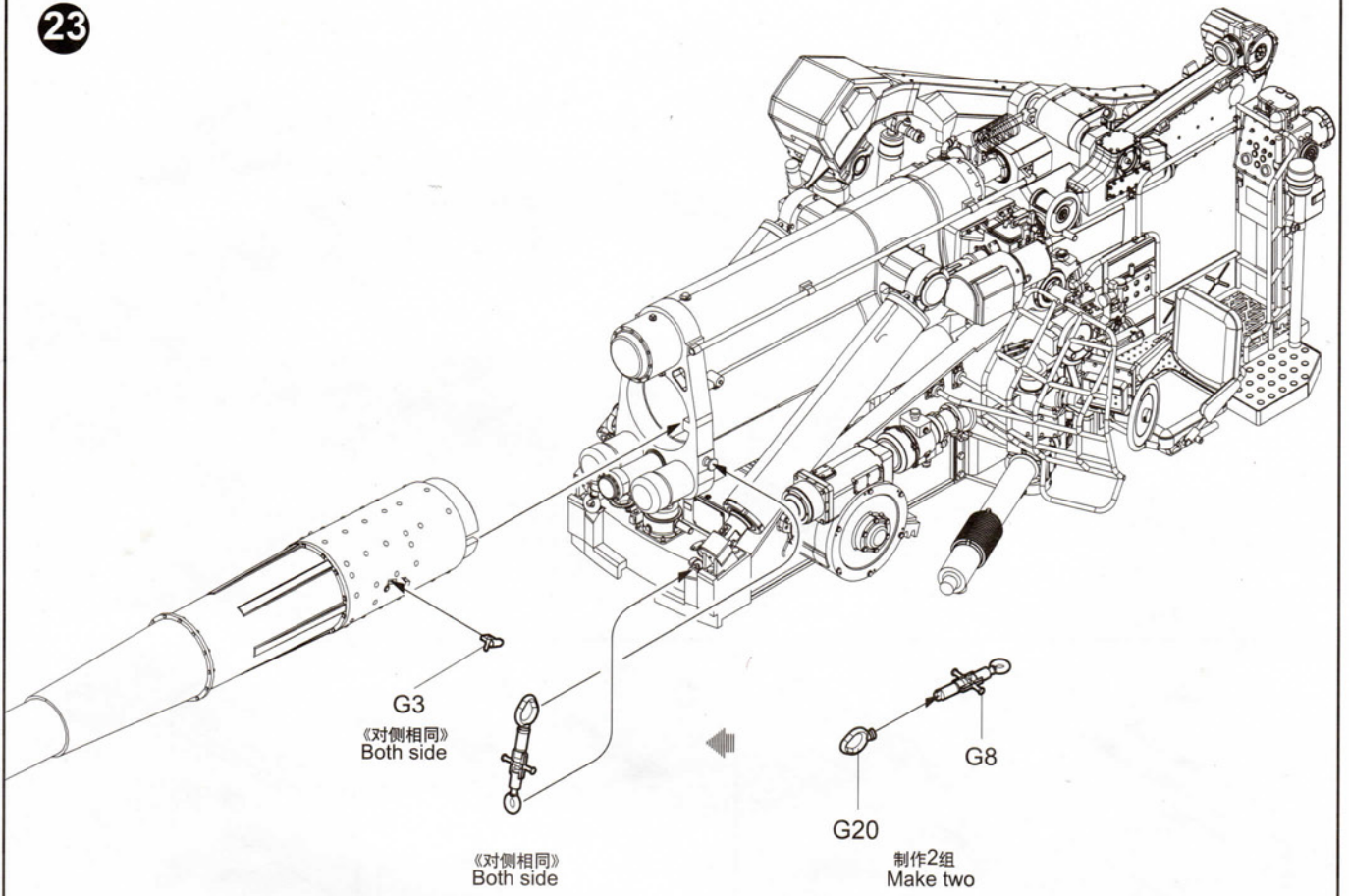
21



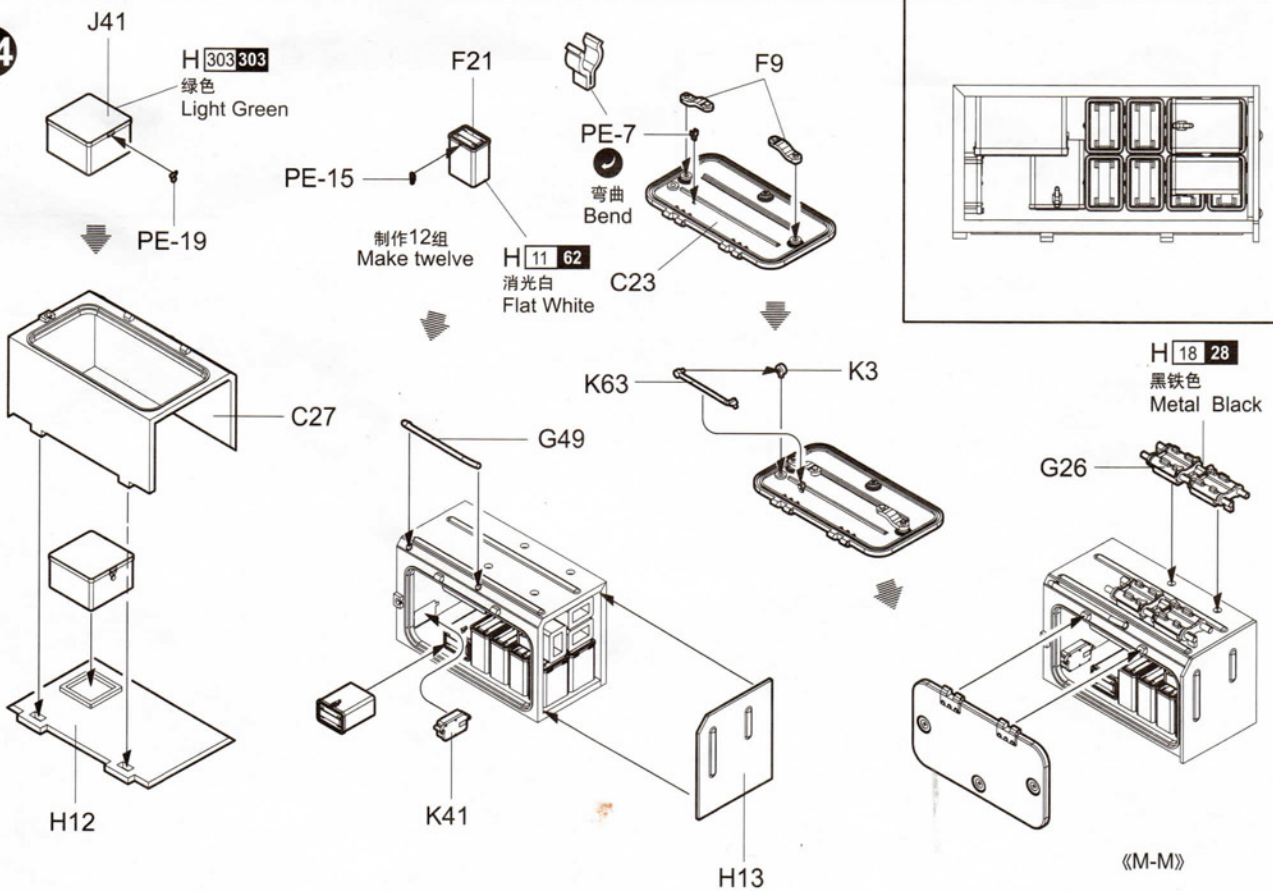
22



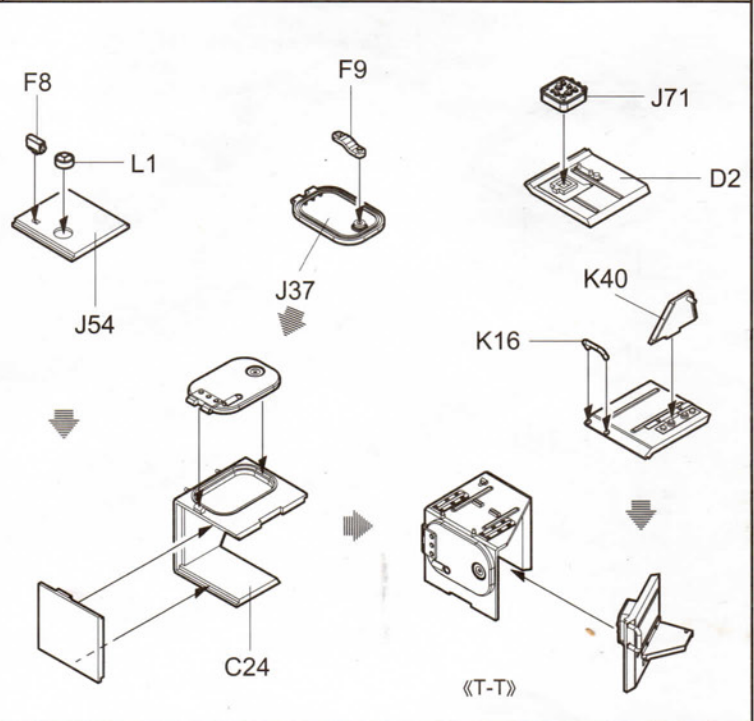
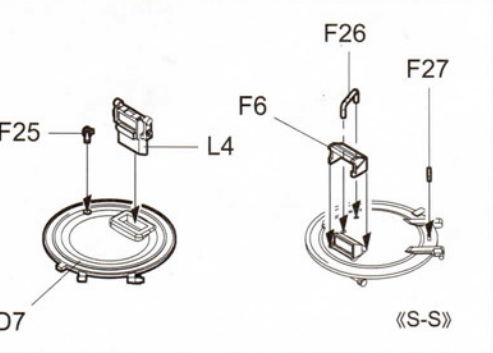
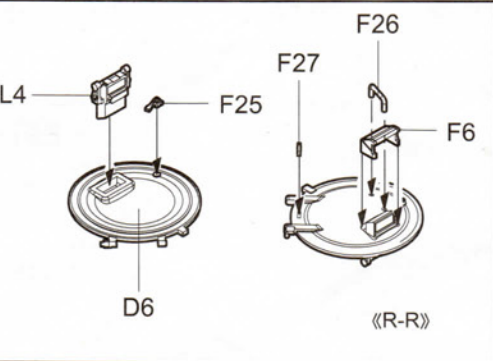
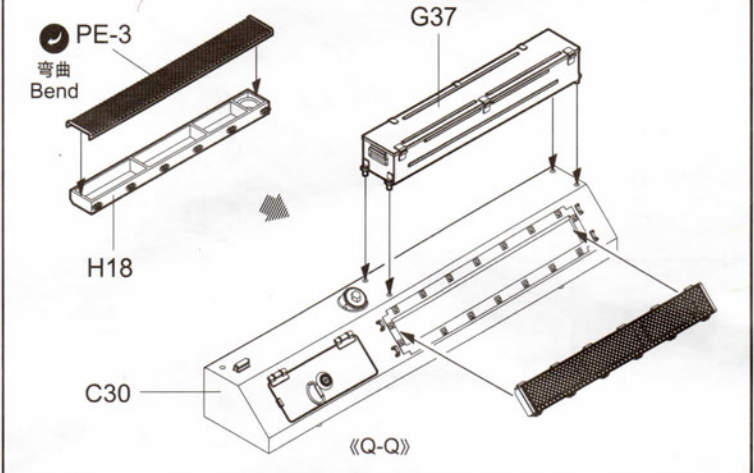
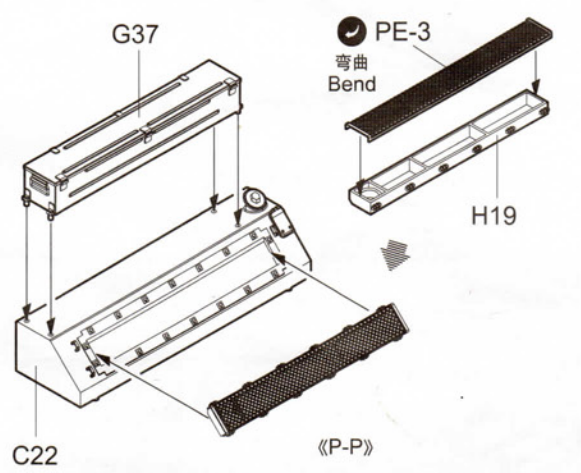
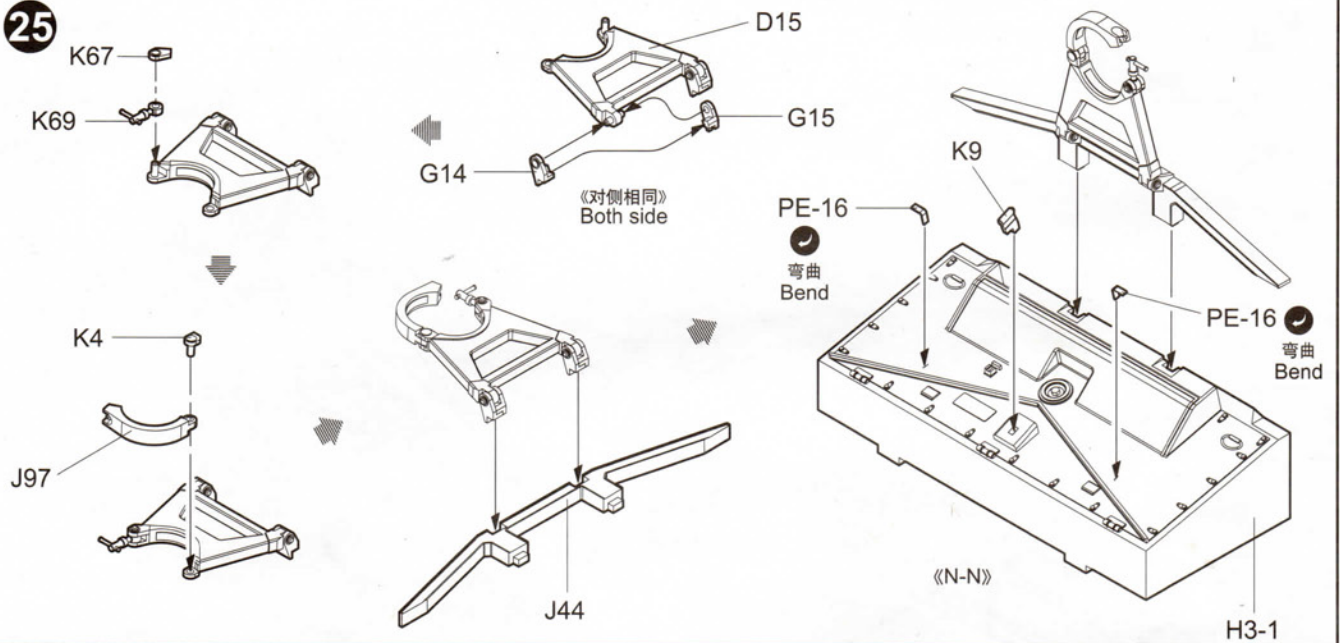
23

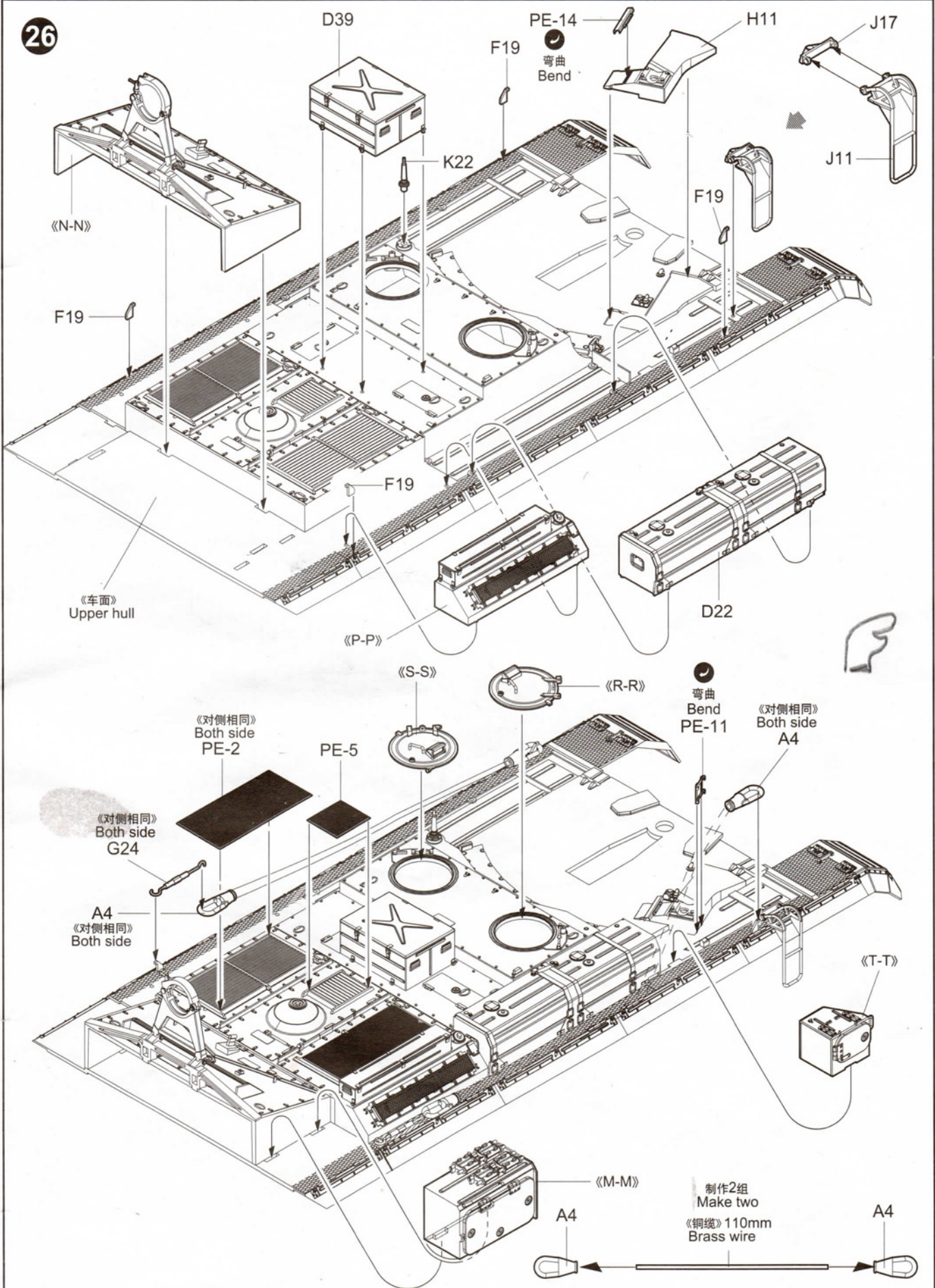


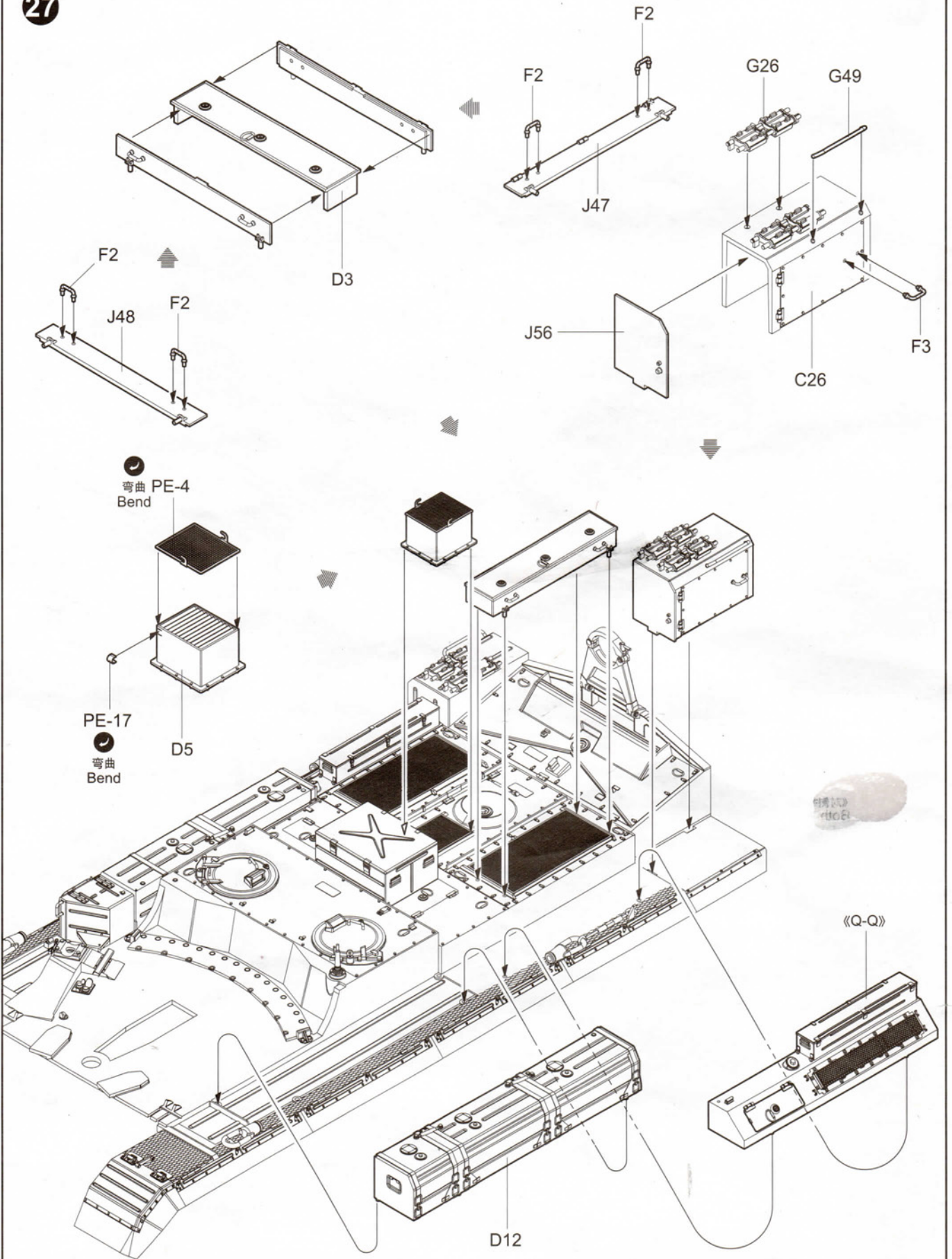
24

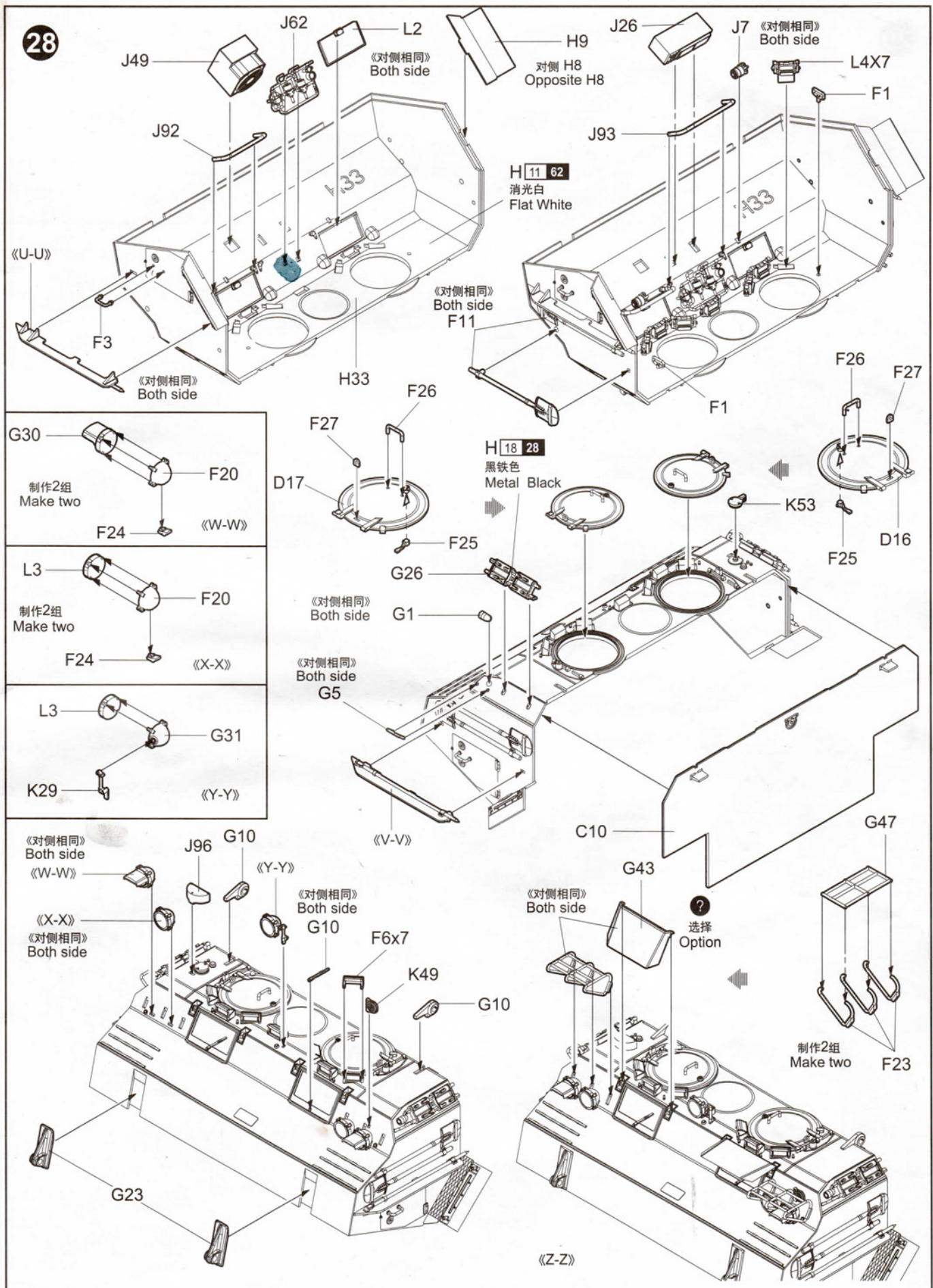


25

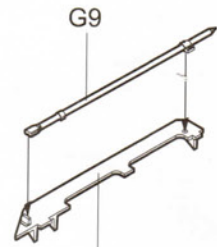
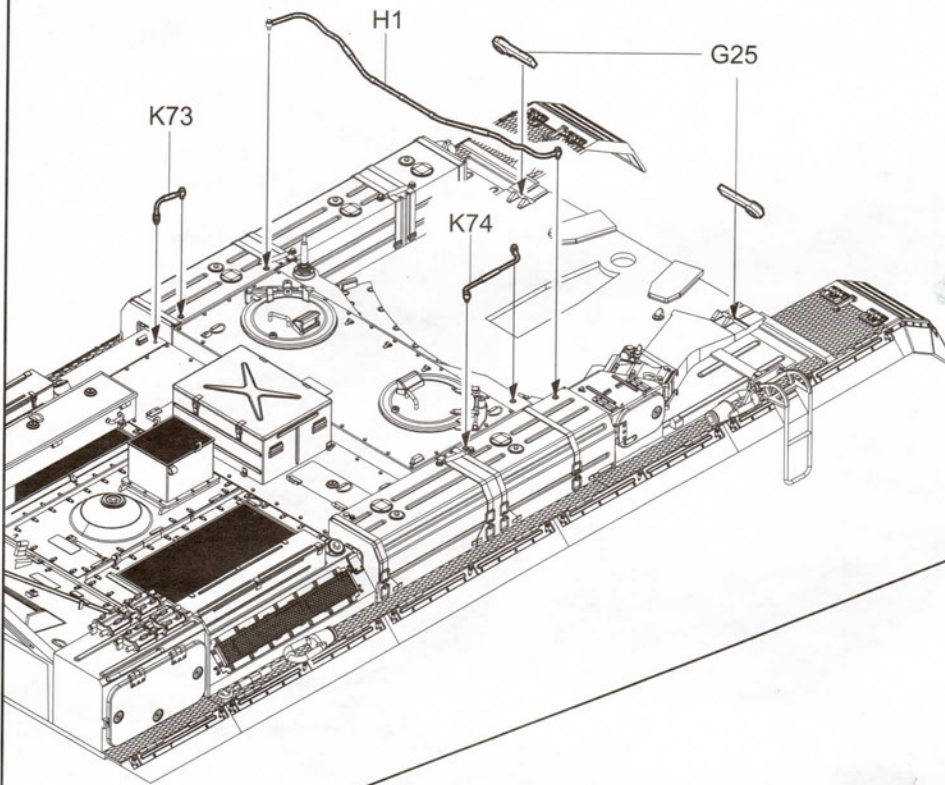




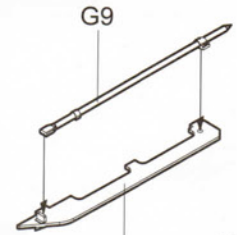




29

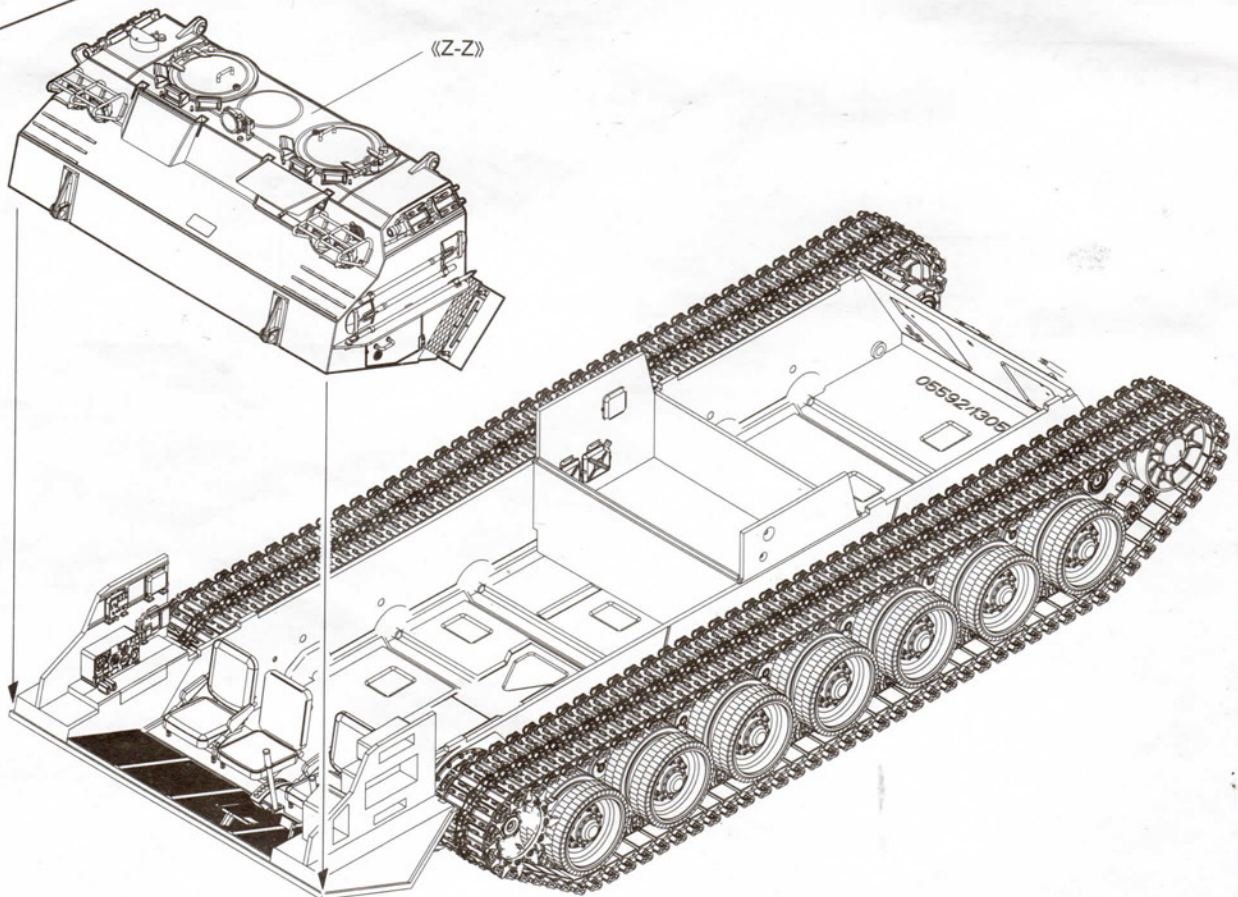


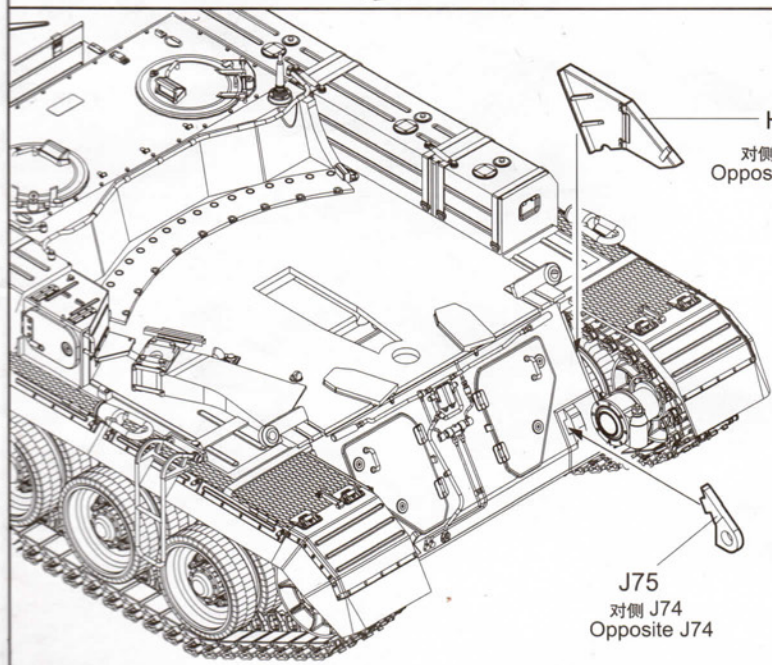
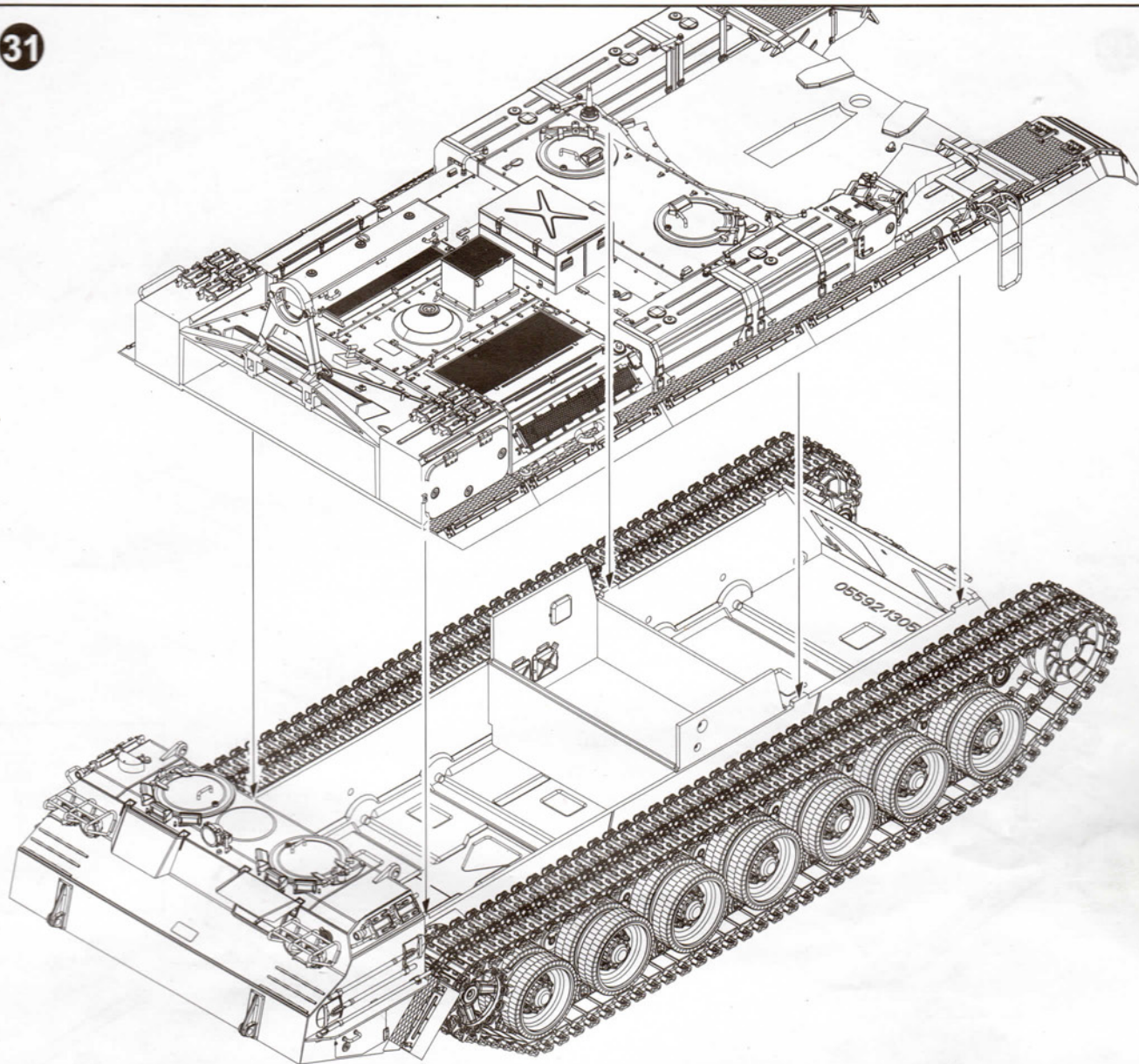
«U-U»



«V-V»

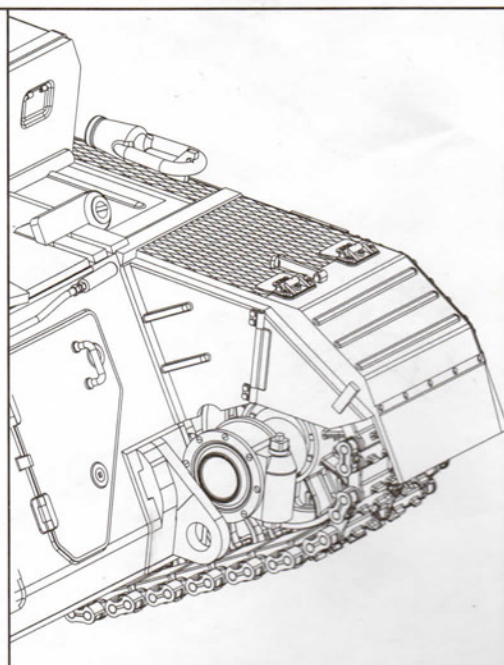
30



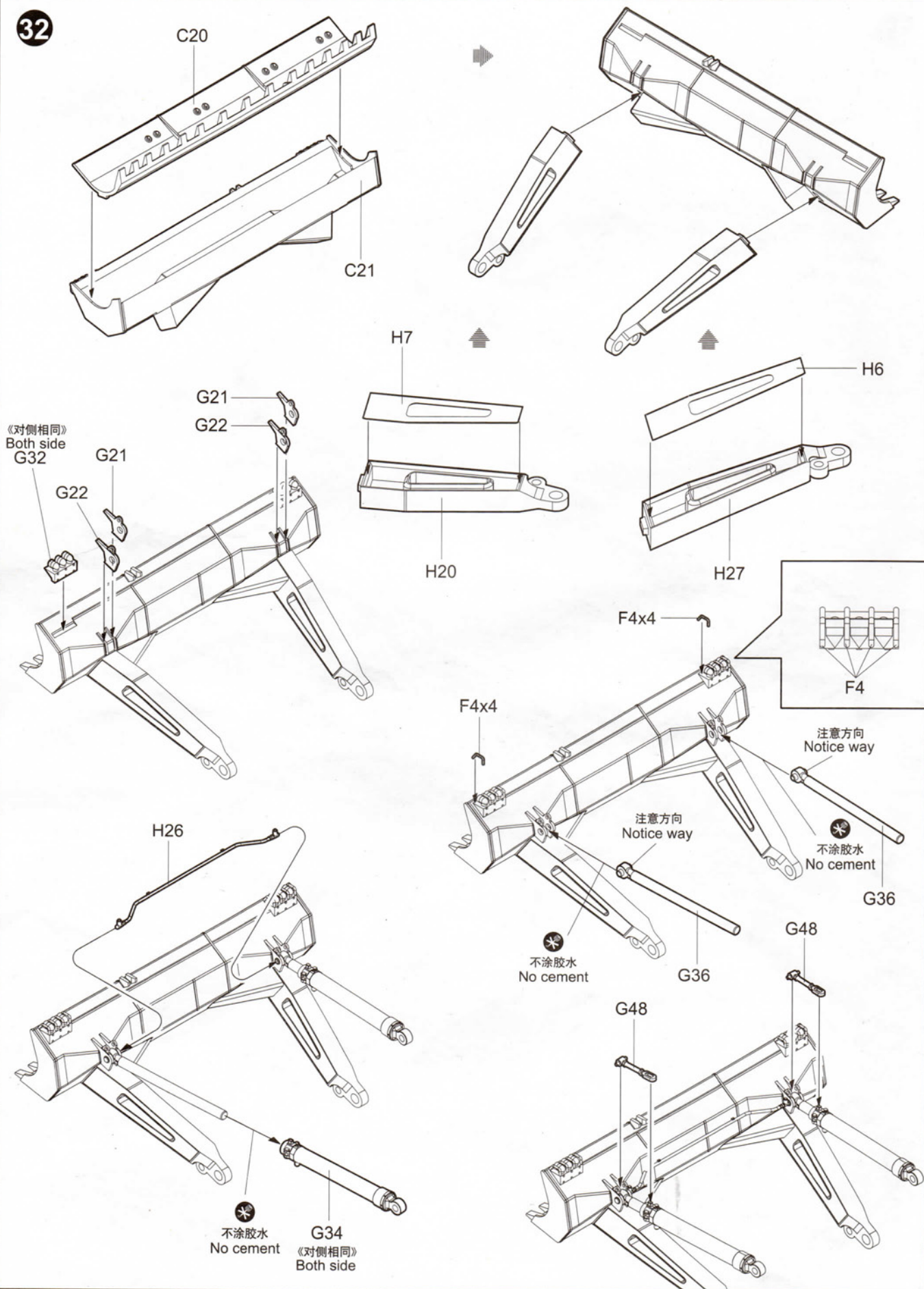


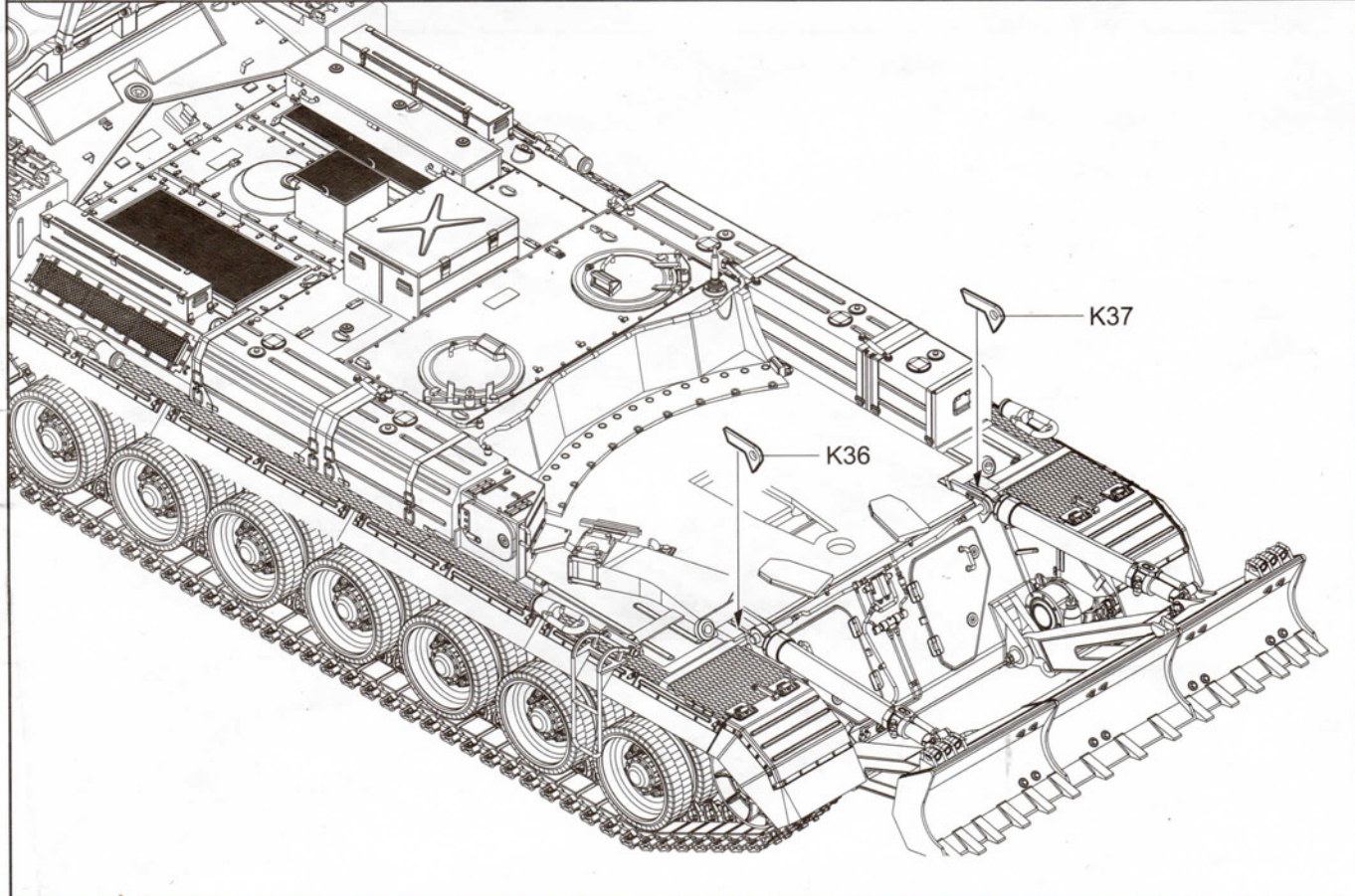
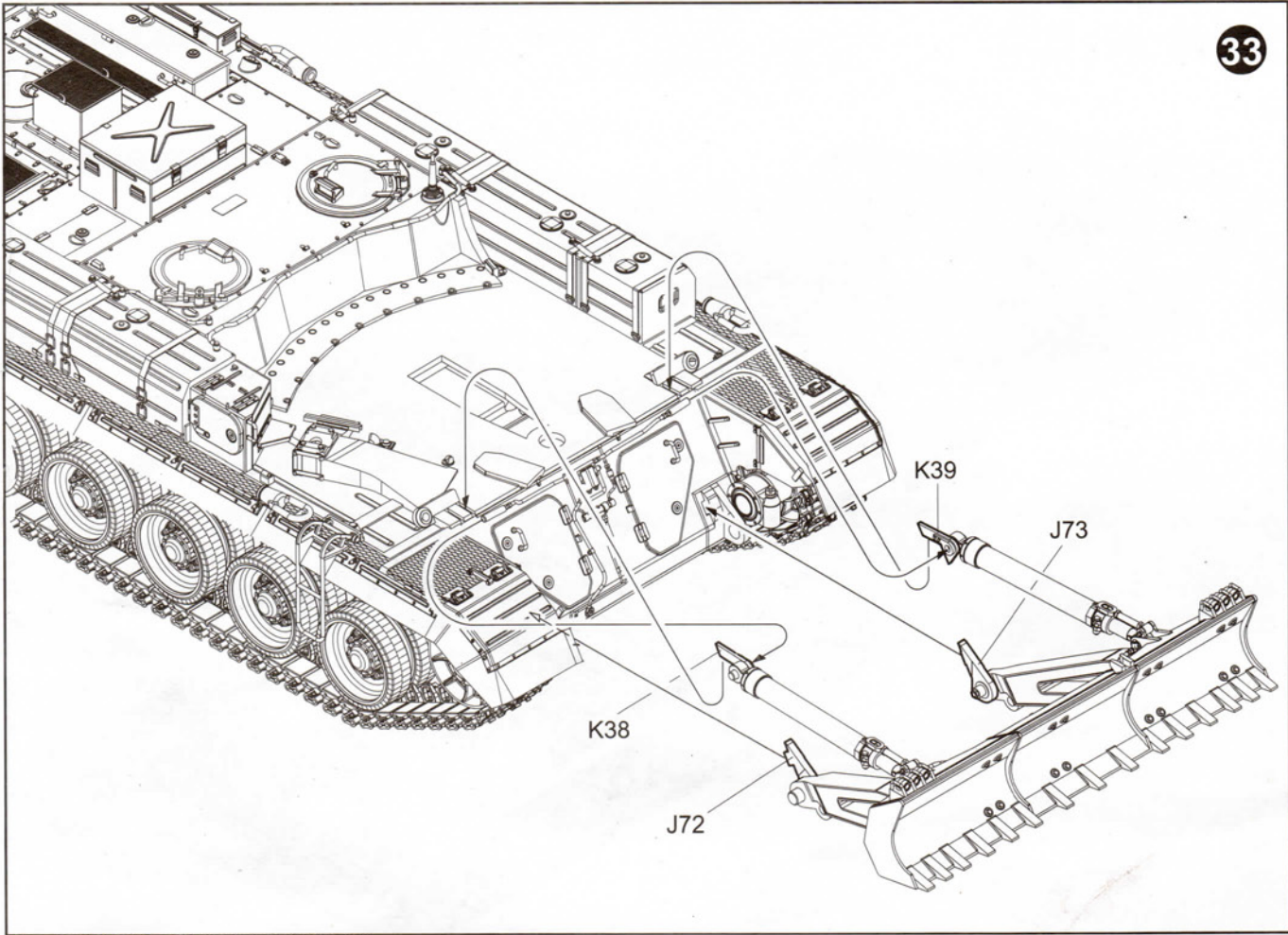
H14
对侧 H15
Opposite H15

J75
对侧 J74
Opposite J74

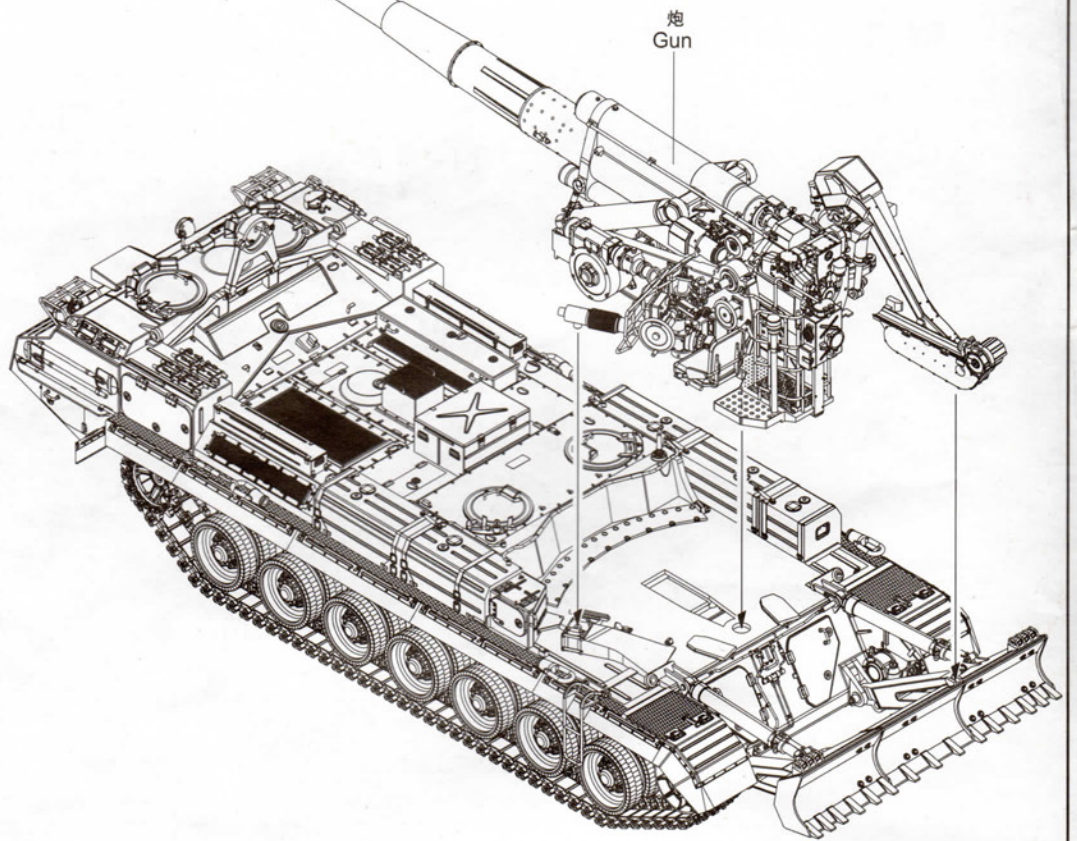


32

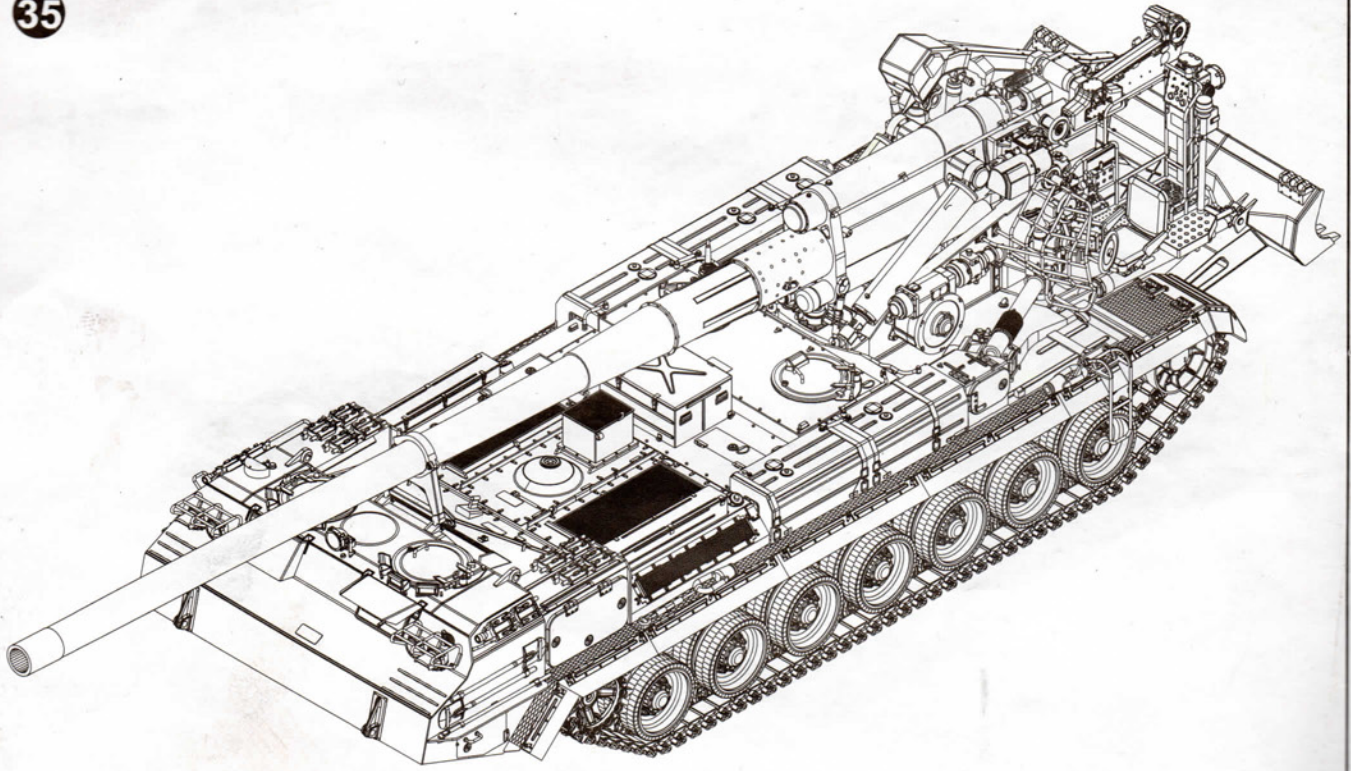




34



35

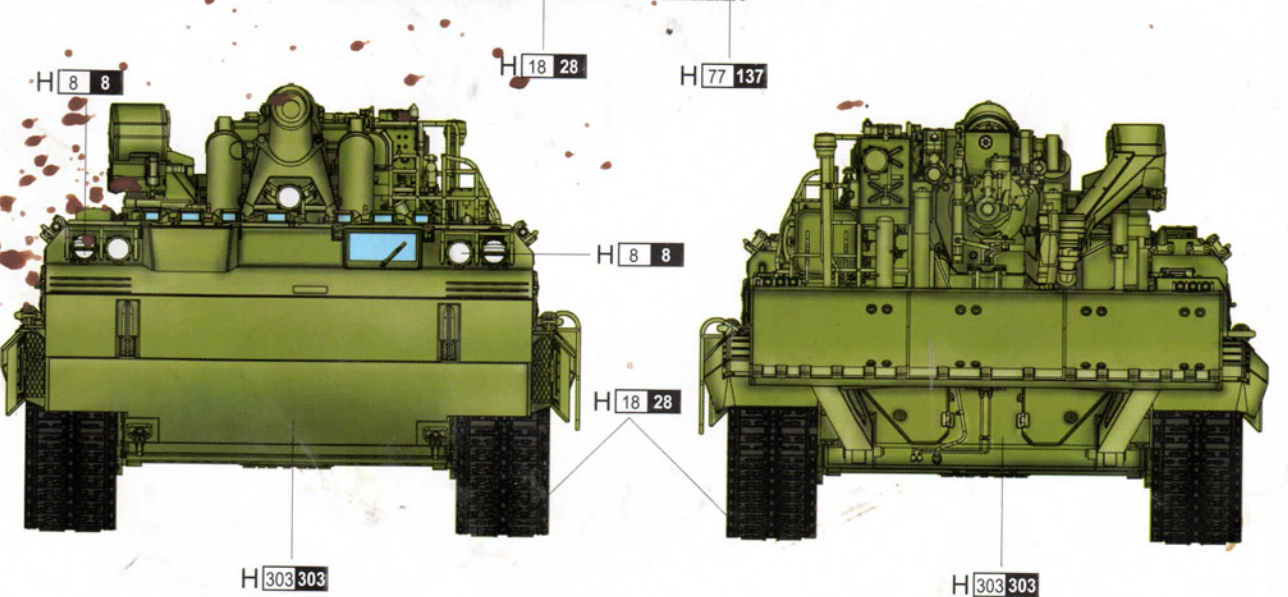
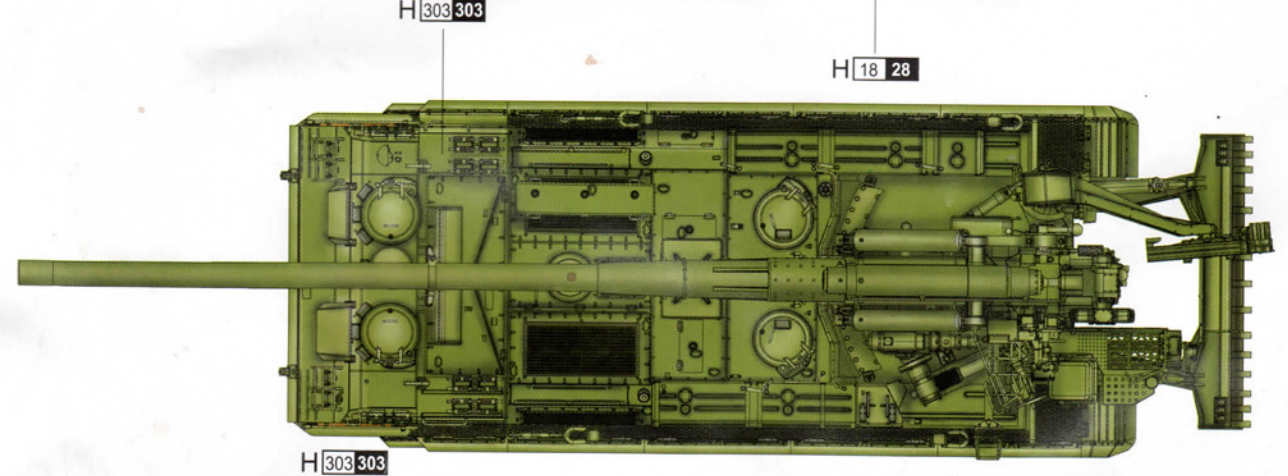


涂装同标贴指示

Painting & Marking guide

PAINT REFERENCE COLOUR

Color	Mr.Hobby	Vallejo	Model Master	Tamiya	Humbrol
Metal Black 黑铁色	H 18 28	864	1402	-	-
Light Green 绿色	H 303 303	-	1713	XF20	117
Tire Black 胎黑色	H 77 137	-	-	-	-
Wood Brown 木棕色	H 37 43	983	1701	-	186
Silver 银色	H 8 8	997	1546	X11	11



H AQUEOUS HOBBY COLOR ■ Mr. COLOR