

T34/85 Solid Track Wheels
8060
1/48
Conversion
for Tamiya kit



PUR - Polyurethane parts



© Special Hobby 2021

Díly ohnuté popř. pokroucené vlivem teplotních změn a stárnutí materiálu, mohou být narovnané do požadovaného tvaru pomocí proudu teplé vody nebo vzduchu (fén na vlasy). K lepení použít kyanoakrylátové lepidlo! Kontaktní plochy doporučujeme před lepením odmastit. Různé drátky a tyčinky nejsou přiloženy.

Parts slightly distorted and bent owing to temperature changes or due to material aging can be straightened to requested shape by hot water or hot air jet (hair dryer). This process can be repeated till result is entirely satisfactory. For best result use cyanoacrylate glue! Ungreasing contact areas is recommended before gluing. Wires and rods not included.

www.cmkkits.com
www.specialhobby.eu
www.facebook.com/specialhobby/



Other CMK sets and figures for T-34/85 Tank (Tamiya kit)

129-8061



T-34 Makeshift Track Wheel (from Panther)

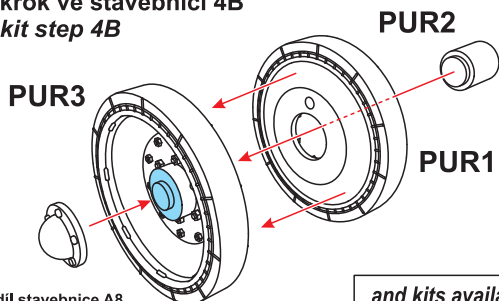
129-F48294
Soviet Tank

Desant Troops,
part 2 (2 figures)



Special Hobby, Mezilesí 718, Praha 9, 193 00, Czech Republic
e-mail: office@specialhobby.eu

krok ve stavbě 4B
kit step 4B



díl stavěnice A8
kit part A8

Assemble 10x

CMK H1011
SANDING STICK

Four different grits of sanding papers on one sanding stick. Contains one sanding stick.



CMK H1010

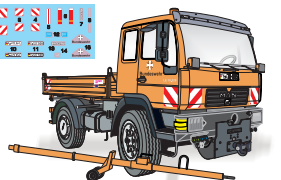
The Razor Saw with Handle (cat. n. H1010) is a great tool for cutting both plastic and resin. CMK also offers a wide variety of coarse / medium / fine saws.

Other 1/48 CMK sets
and kits available at www.specialhobby.eu



MAN LE 10.220

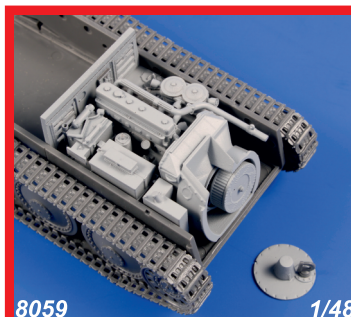
Bundeswehr Military Aircraft Tug + Towbar



The kit contains excellent resin cast parts, injected clear parts and decals.



Kit No.
8056
1/48



8059

1/48

Pz.38(t) Ausf. E/F Engine Set

(The set contains resin engine, fan and radiator, air intake filters and other equipment. The set is designed to be used with Tamiya kit no.32583.)