

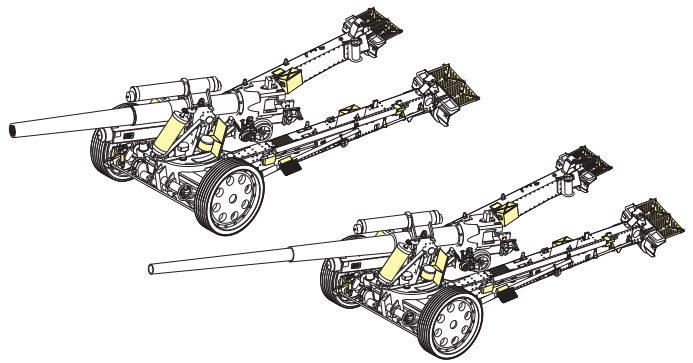
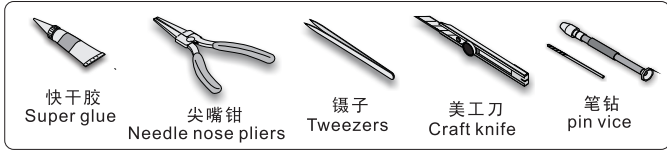
1/35 MILITARY MINIATURE VEHICLE UPGRADE SERIES PE35255

WWII German s.FH 18 150mm Howitzer
WWII German s.K 18 105mm Kanone

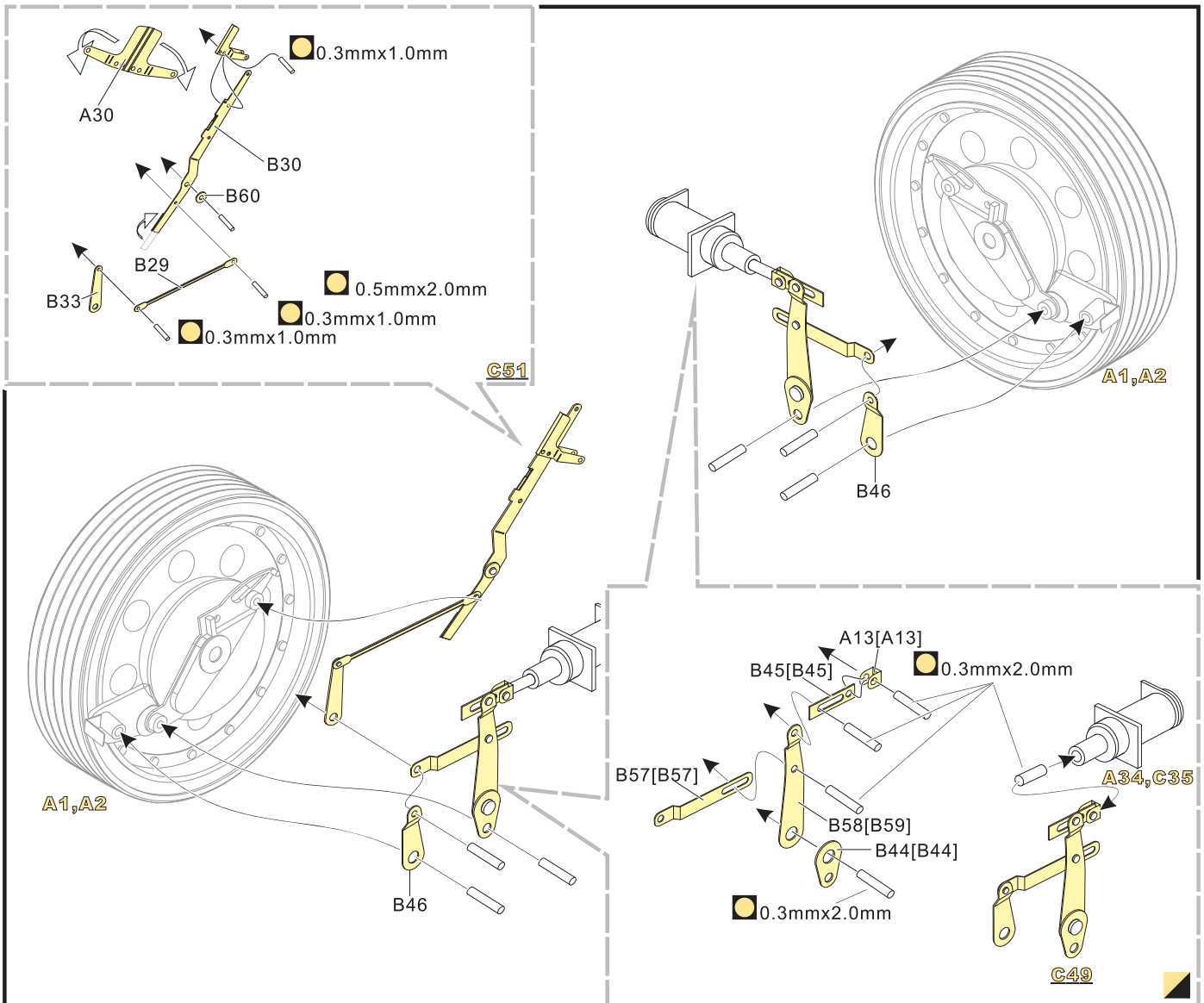
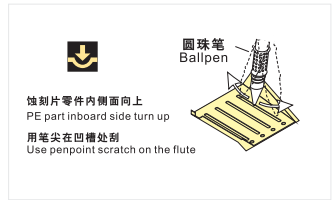
二战德军s.FH 18 150mm/s.K 18 105mm改造件

[For Trumpeter 02304/02305]

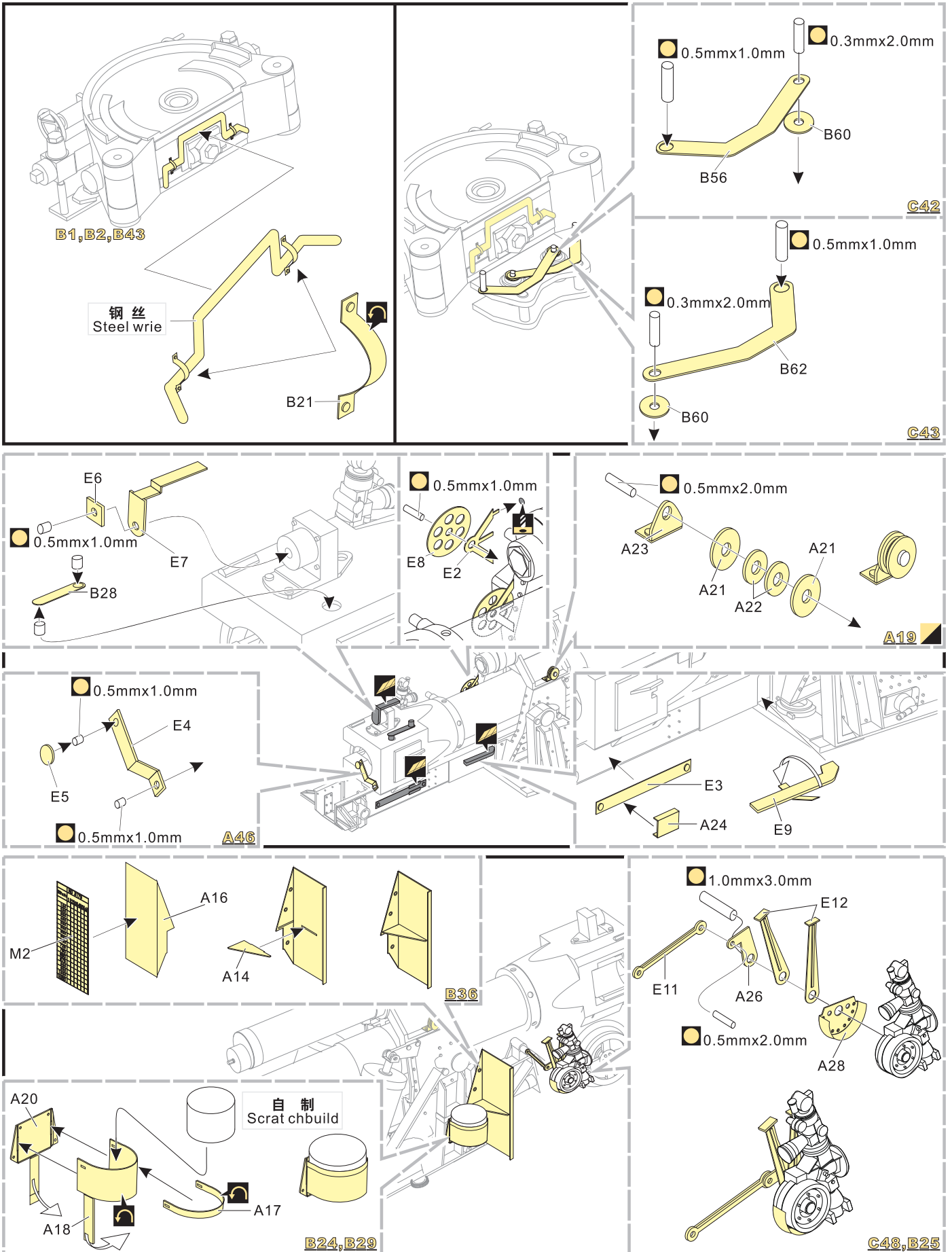
推荐使用工具 RECOMMENDED TOOLS



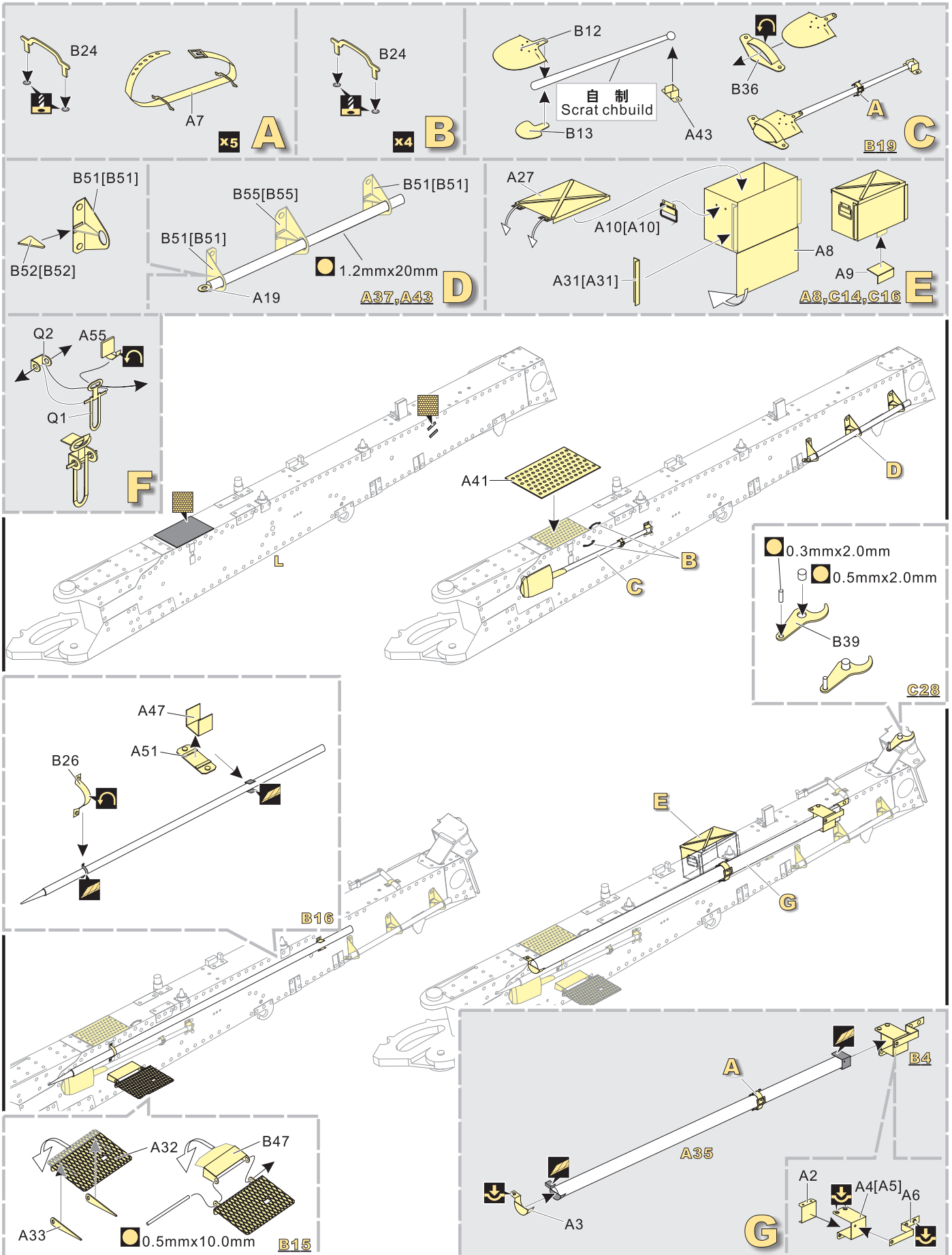
- 安装 install
- 折叠 bend
- A1**
改造件零件编号
PE/resin part number
- B12**
原零件编号
kit part number
- C22**
被替换的原零件编号
replaced kit part number
- x2**
制作若干组
multiple assembly
- 弧度卷曲
radial bending
- 选择安装
alternative
- 切除
remove
- 钻孔
drill
- 注意
caution
- 另一侧相同制作
repeat on opposite side
- 用尖端在凹槽处冲压
use penpoint to press on the dent
- 打磨
grind off
- 用铜管制作
make from brass tube
- 用胶棒制作
make from plastic rod



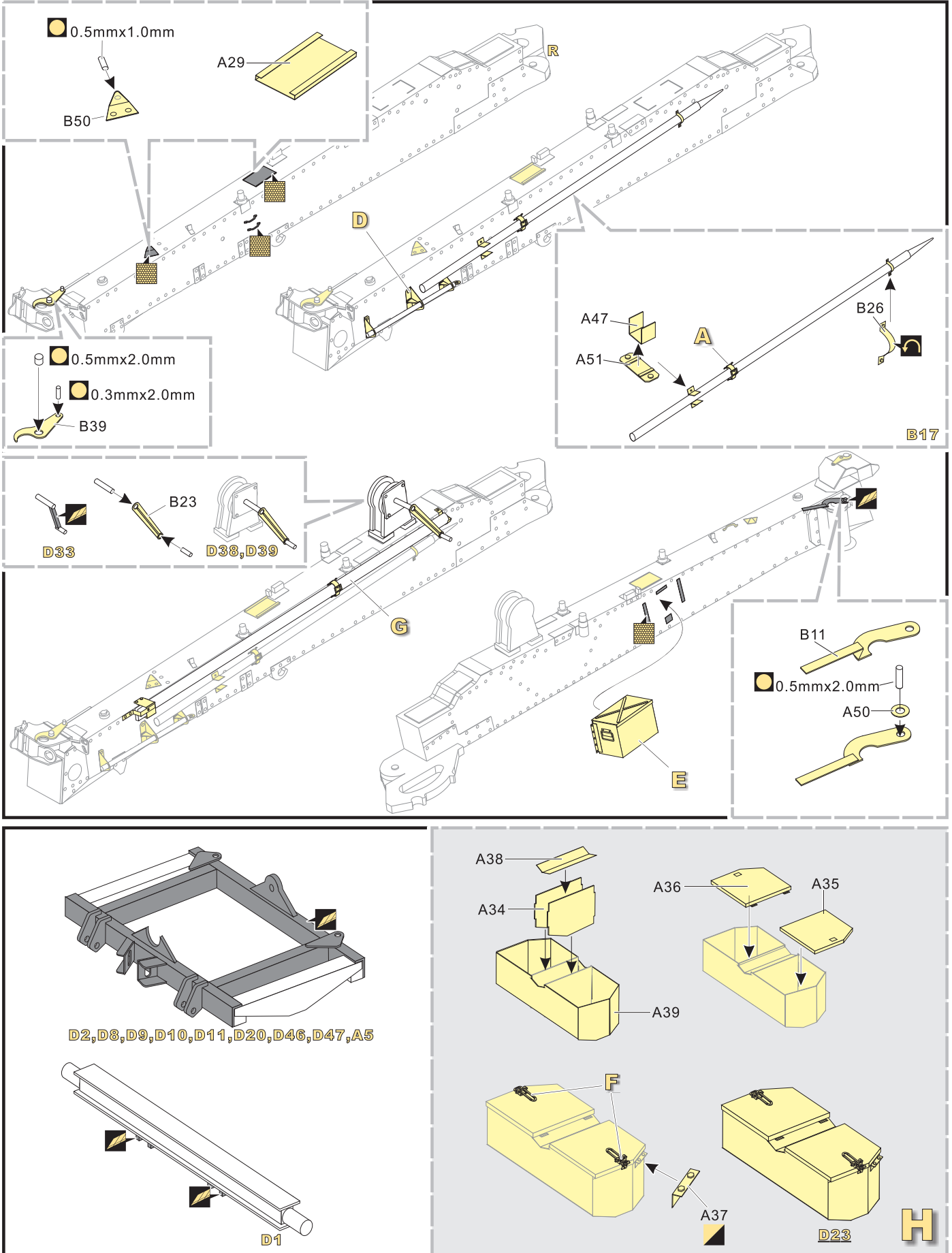
1/35 MILITARY MINIATURE VEHICLE UPGRADE SERIES PE35255



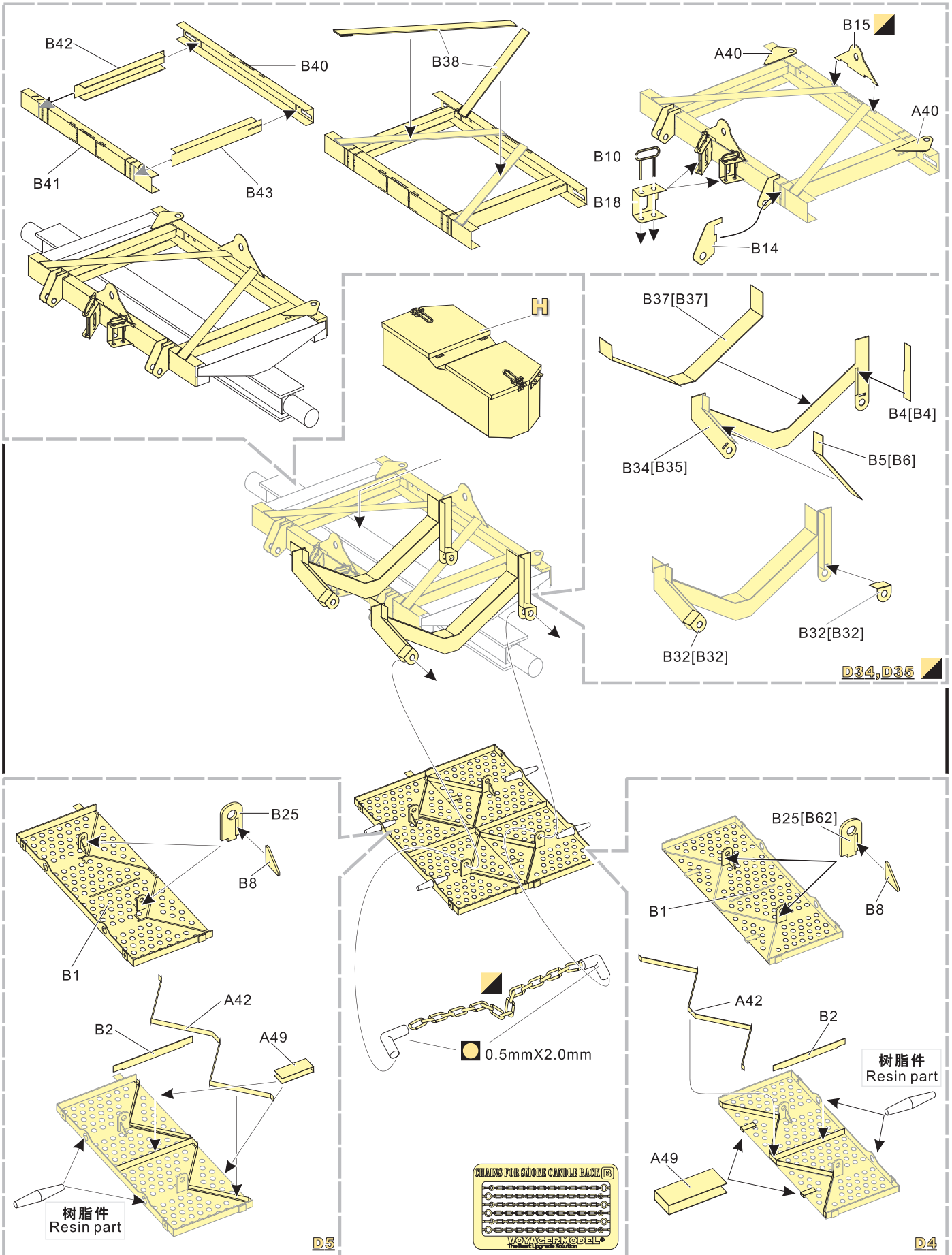
1/35 MILITARY MINIATURE VEHICLE UPGRADE SERIES PE35255



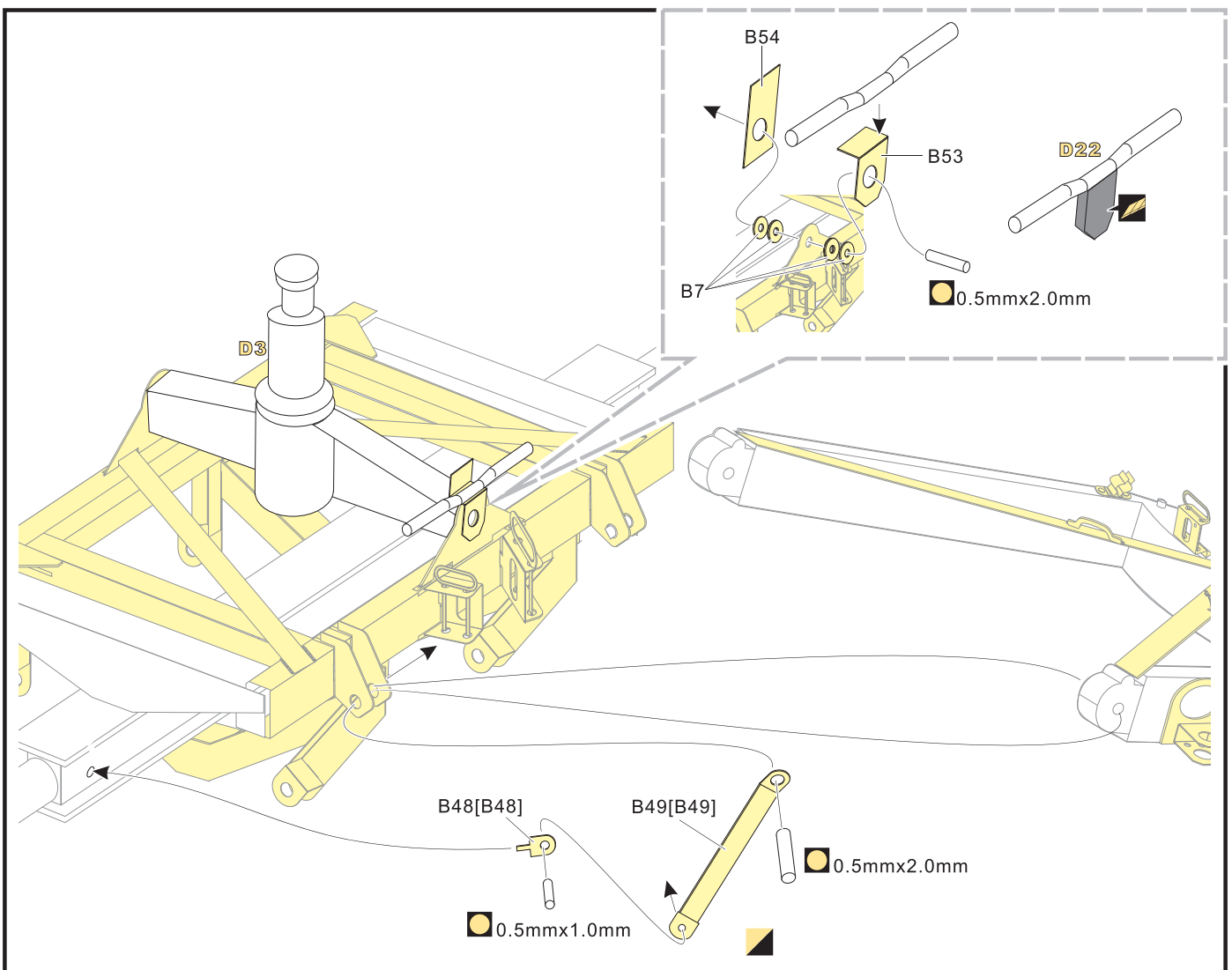
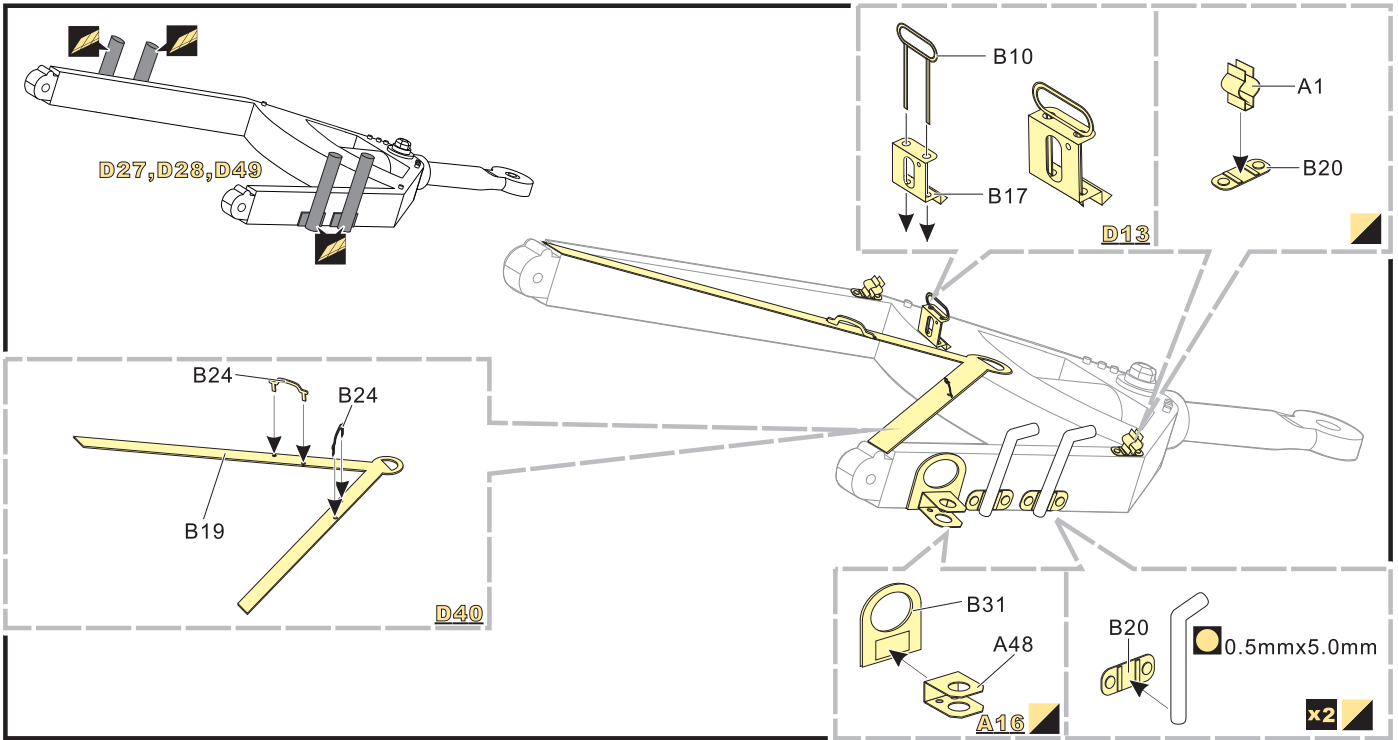
1/35 MILITARY MINIATURE VEHICLE UPGRADE SERIES PE35255



1/35 MILITARY MINIATURE VEHICLE UPGRADE SERIES PE35255

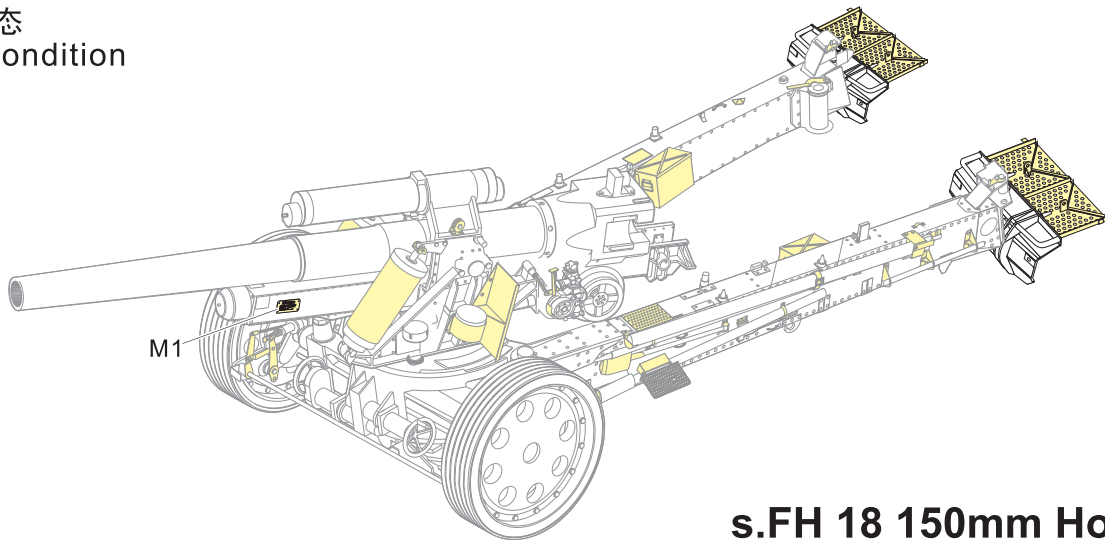


1/35 MILITARY MINIATURE VEHICLE UPGRADE SERIES PE35255

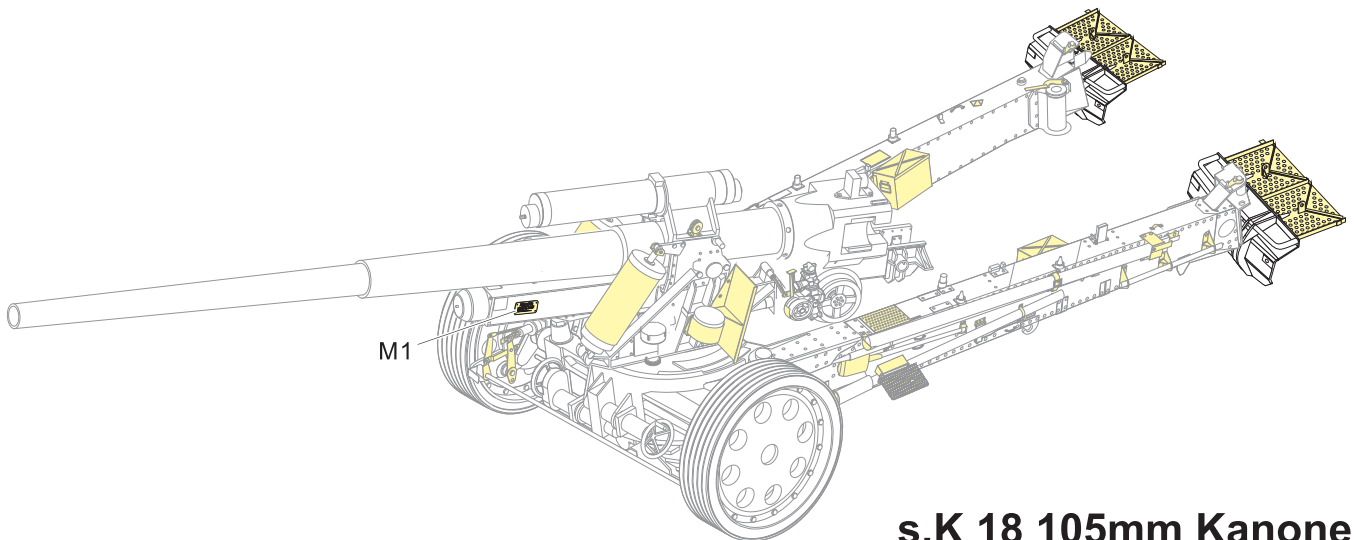
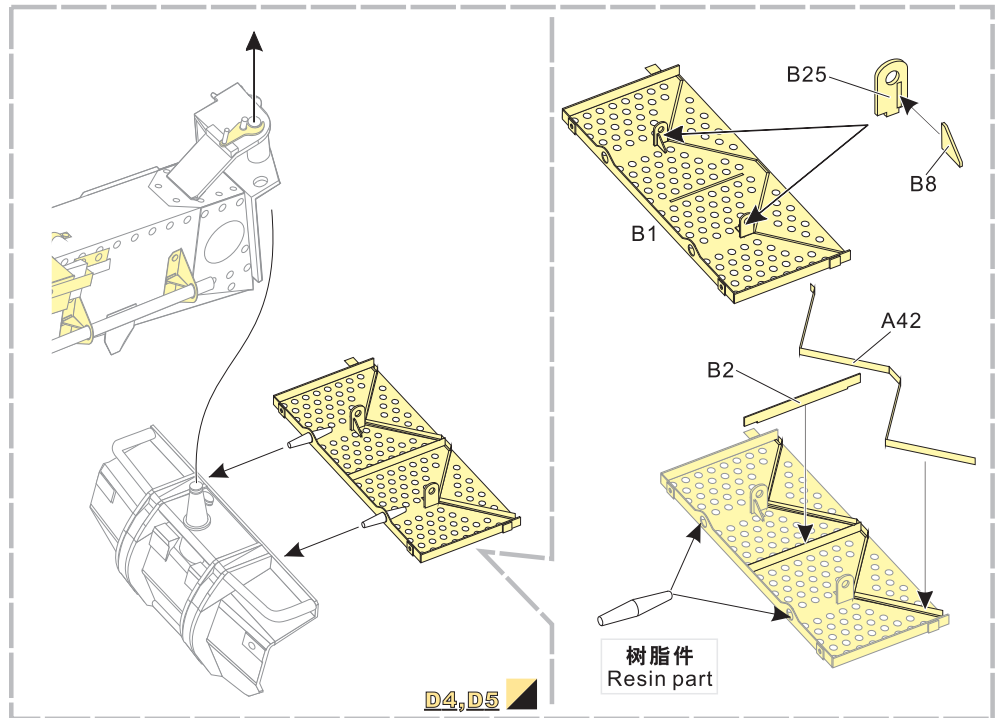


1/35 MILITARY MINIATURE VEHICLE UPGRADE SERIES PE35255

射击状态
Firing condition

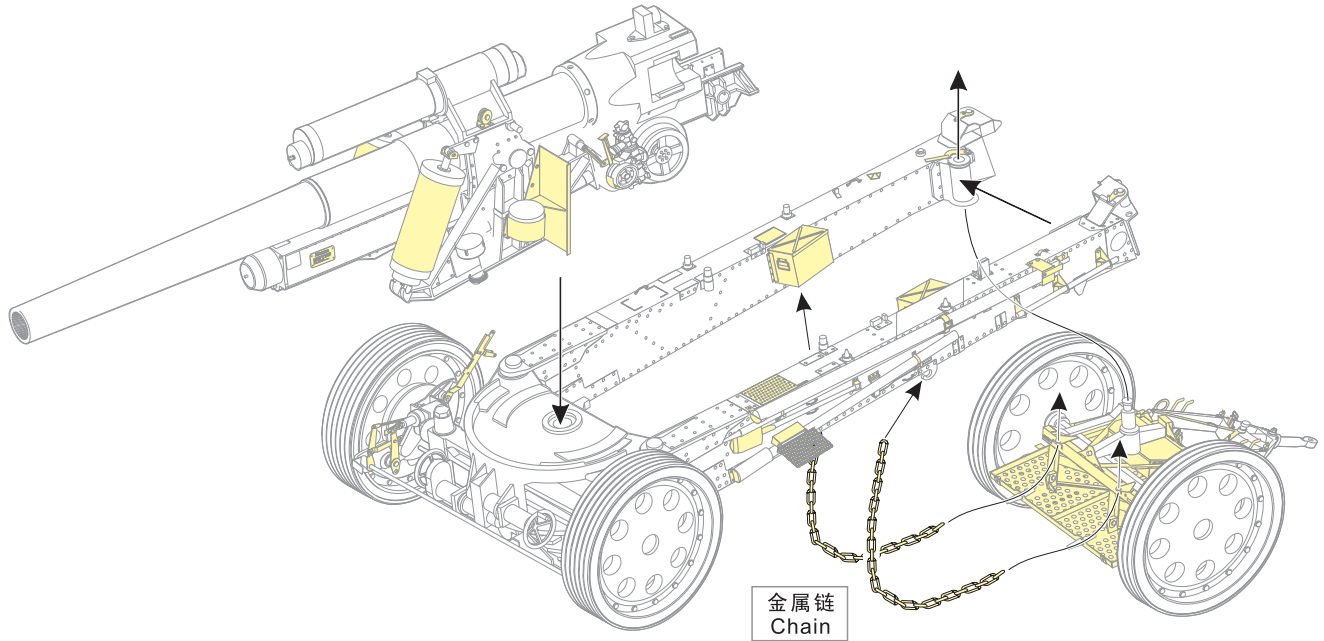


s.FH 18 150mm Howitzer

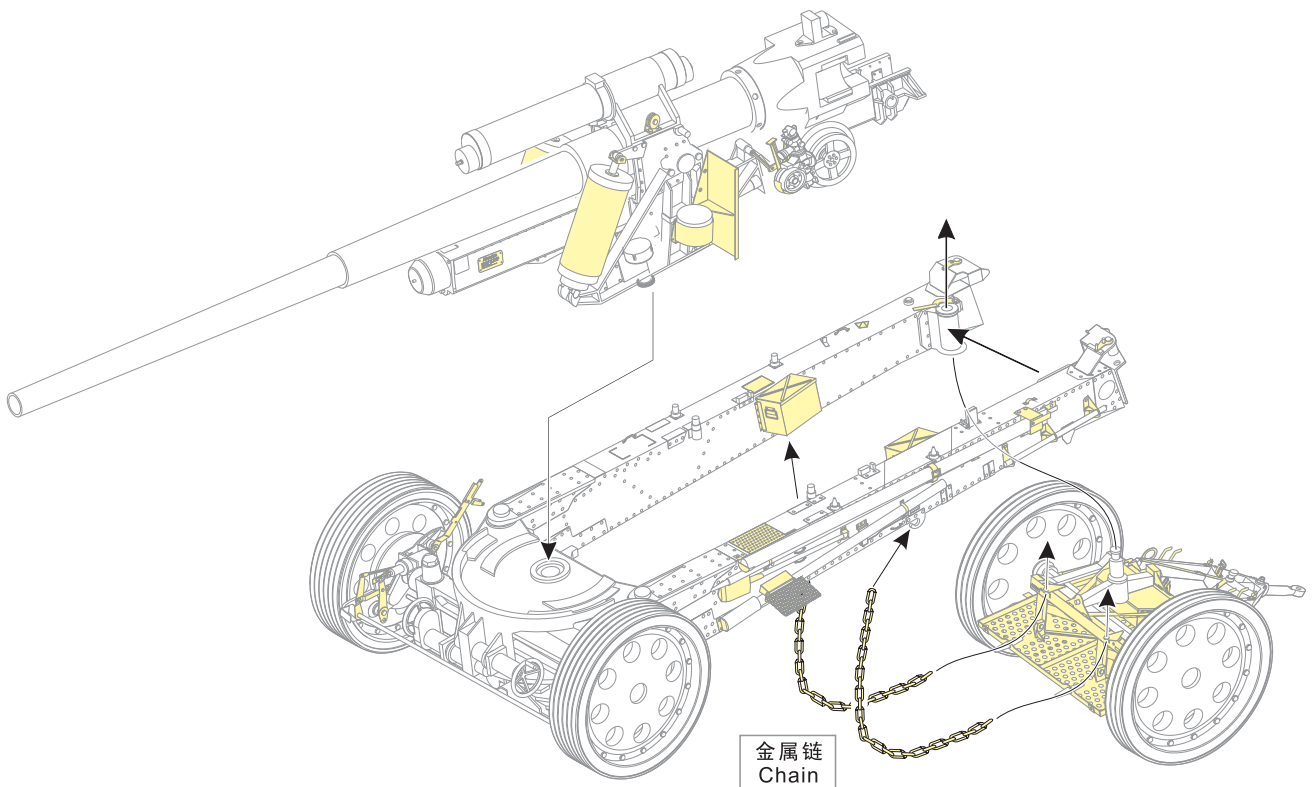


s.K 18 105mm Kanone

运输状态
Transport condition



s.FH 18 150mm Howitzer



s.K 18 105mm Kanone