

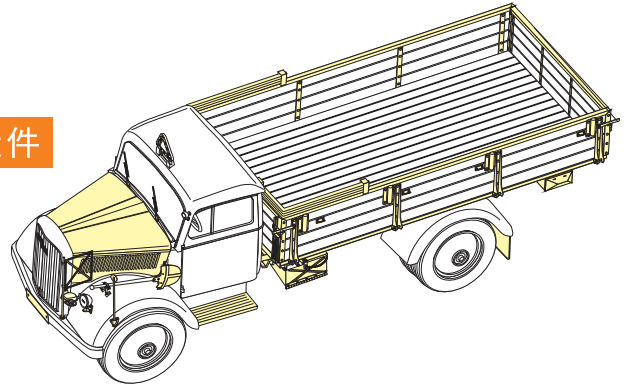
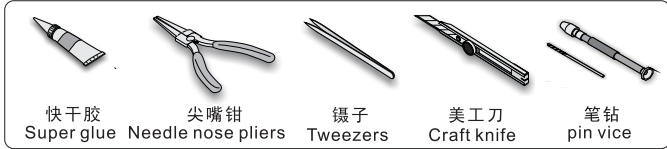
1/35 MILITARY MINIATURE VEHICLE UPGRADE SERIES PE35246


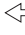







WWII German Opel Blitz 3t. 4x2 Cargo Truck / Shallow Cargo Bay


二战德军欧宝3吨4x2卡车(浅货箱样式)改造件

[For TAMIYA 35291]

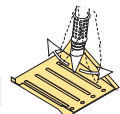
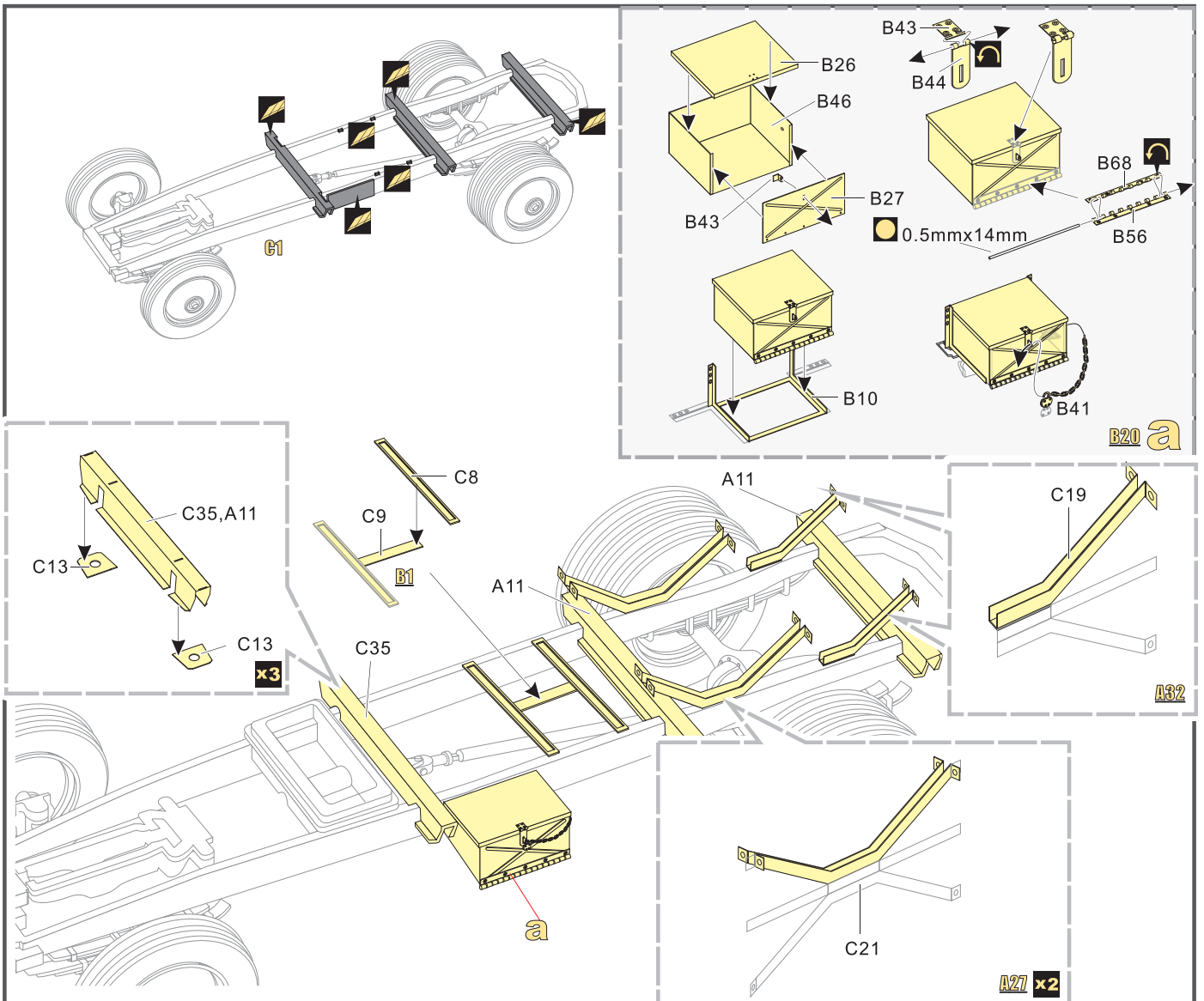
推荐使用工具 RECOMMENDED TOOLS



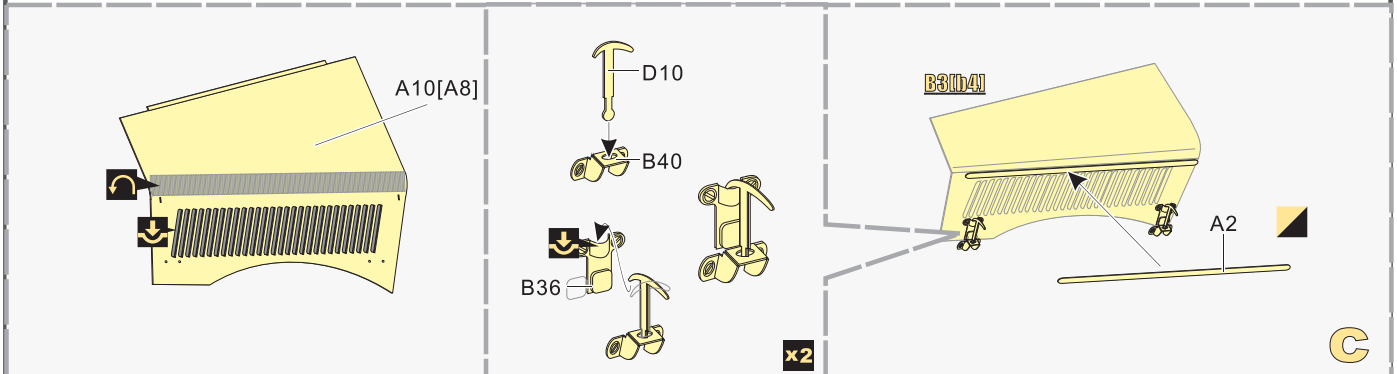
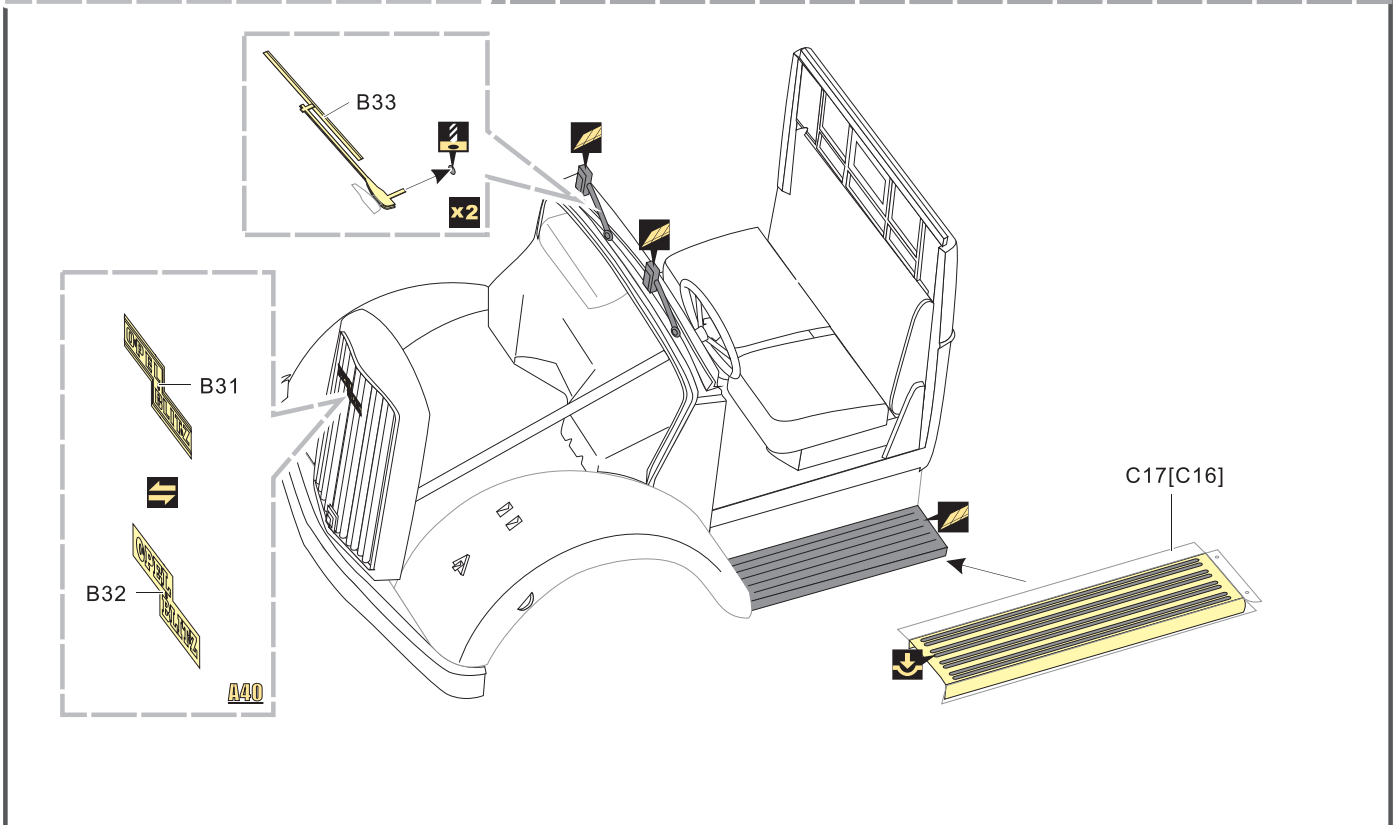
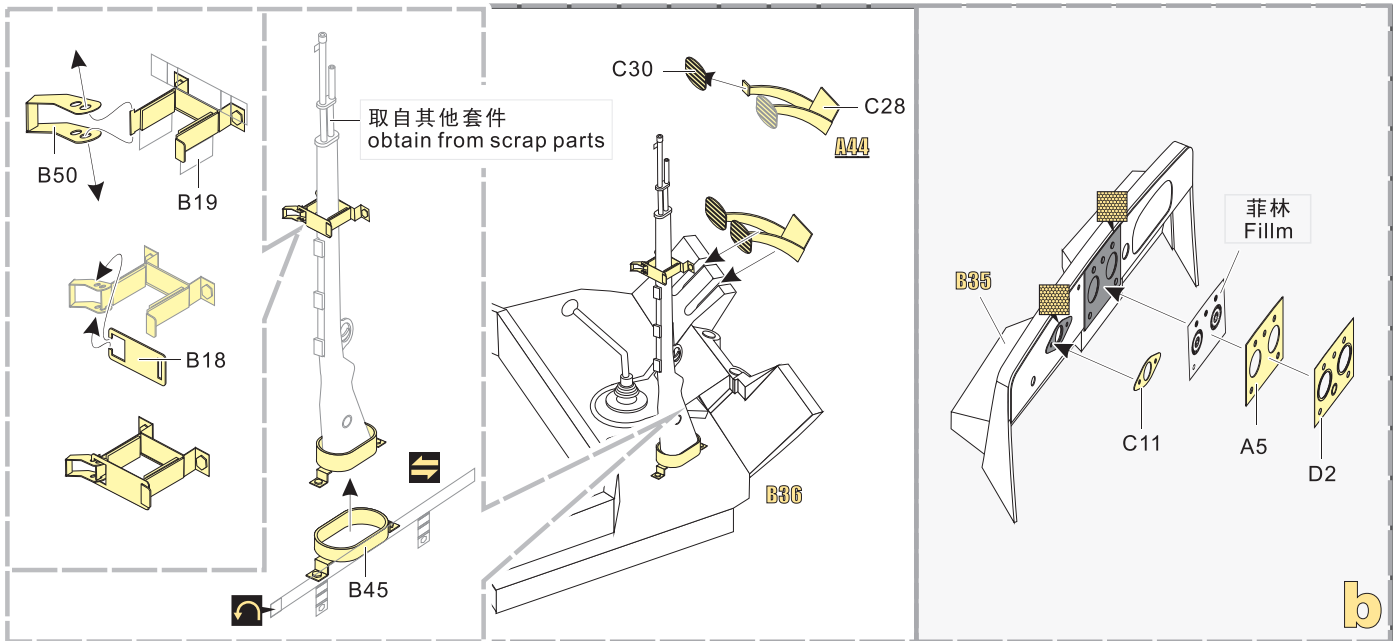
- 
 安装
install
- 
 折叠
bend
- A1**
 改造件零件编号
PE/resin part number
- B12**
 原零件编号
kit part number
- C22**
 被替换的原零件编号
replaced kit part number
- 
 另一侧相同制作
repeat on opposite side
- 
 切除
remove
- 
 打磨
grind off
- 
 弧度卷曲
radial bending
- x2**
 制作若干组
multiple assembly
- 
 选择安装
alternative
- 
 钻孔
drill
- 
 用胶棒制作
make from plastic rod


 用尖端在凹槽处冲压
use penpoint to press on the dent

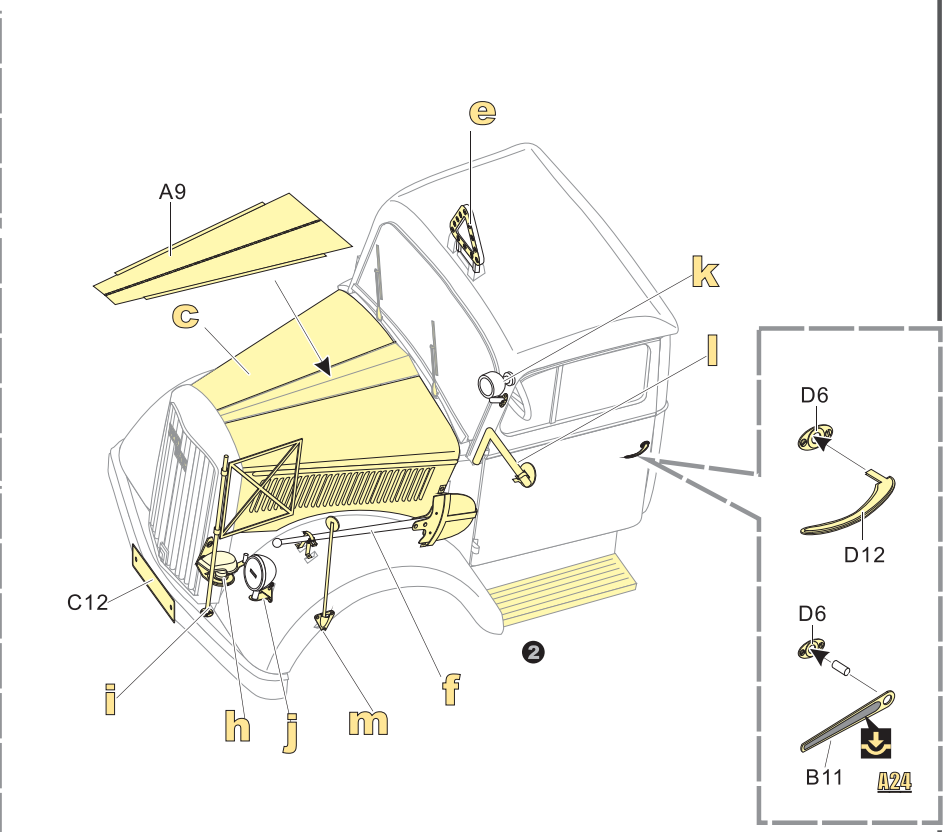
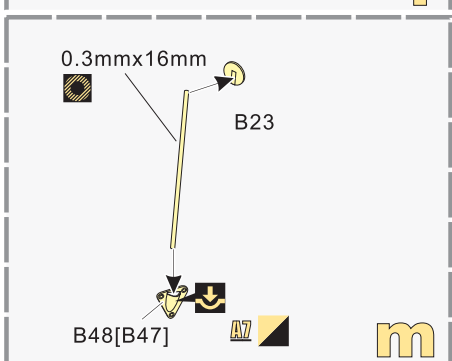
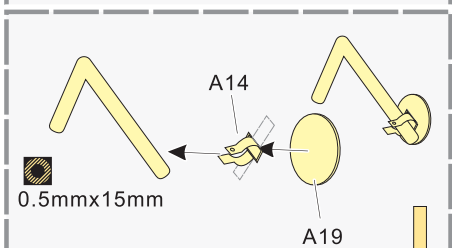
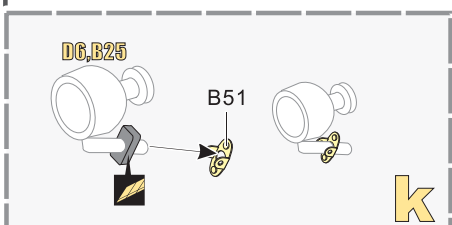
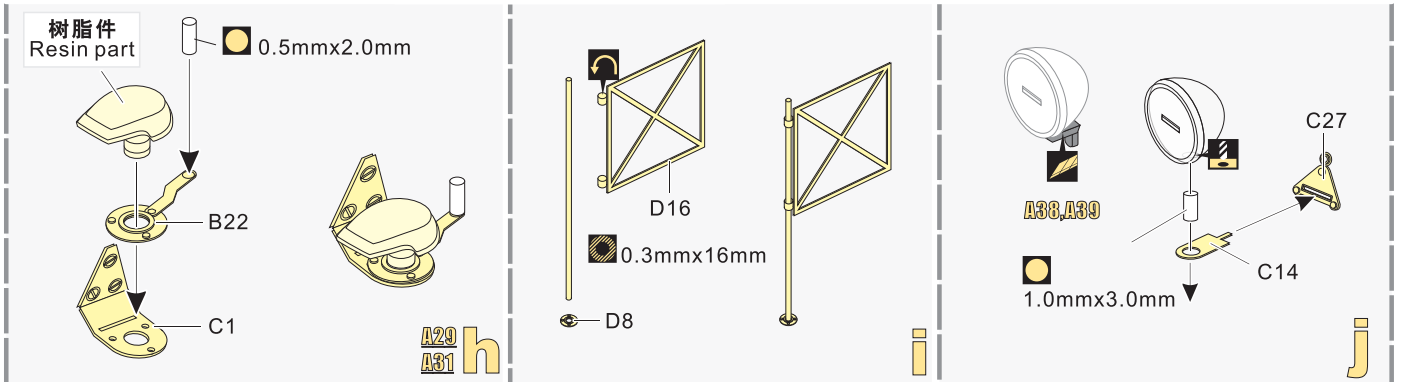
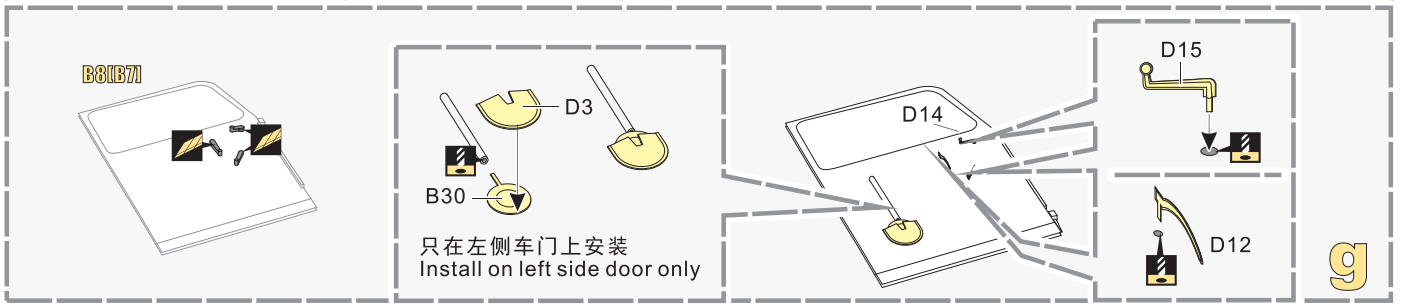
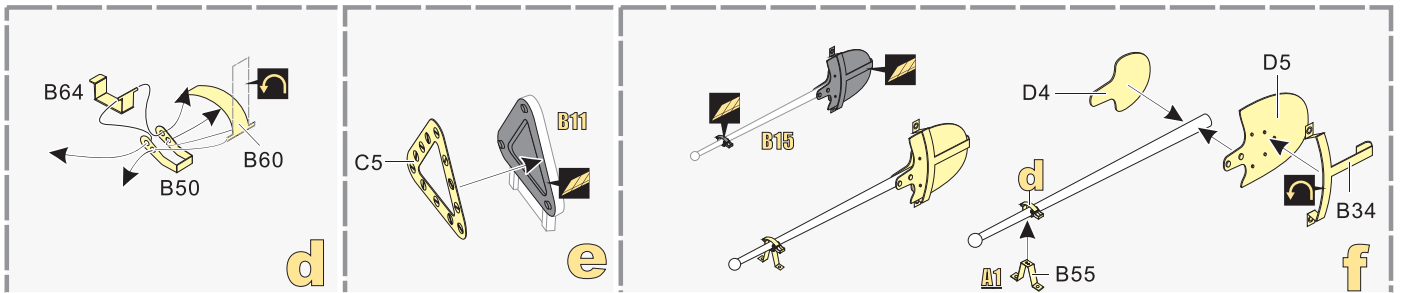
蚀刻片零件内槽面向上
Put the part upside down
 用笔尖在凹槽处刺
Use penpoint to press on the dent

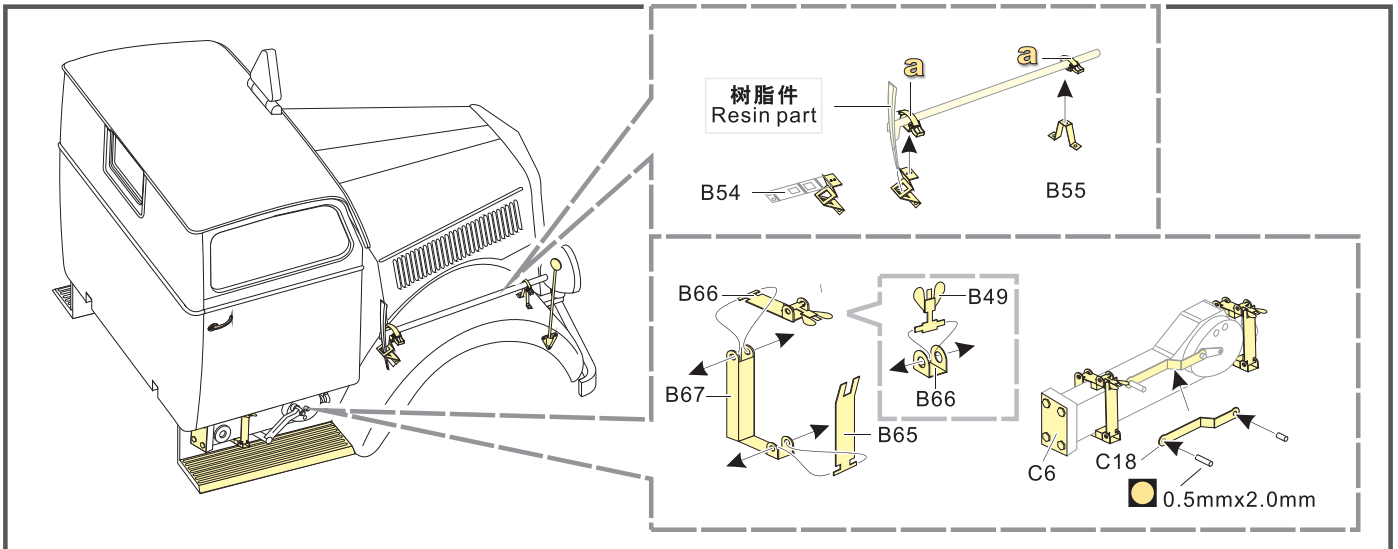
1/35 MILITARY MINIATURE VEHICLE UPGRADE SERIES PE35246



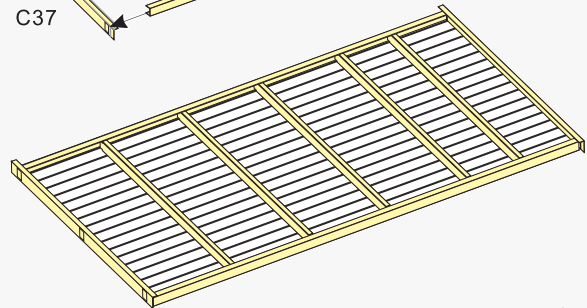
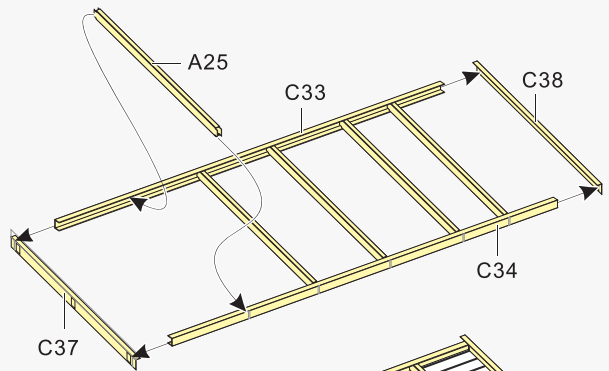
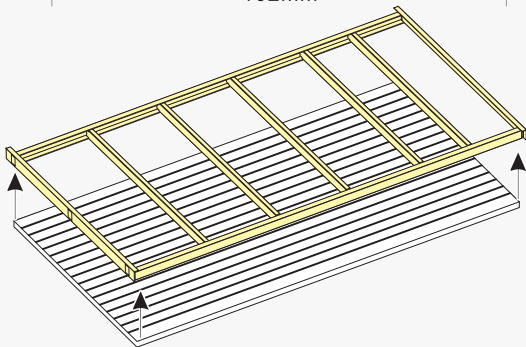
1/35 MILITARY MINIATURE VEHICLE UPGRADE SERIES PE35246



1/35 MILITARY MINIATURE VEHICLE UPGRADE SERIES PE35246

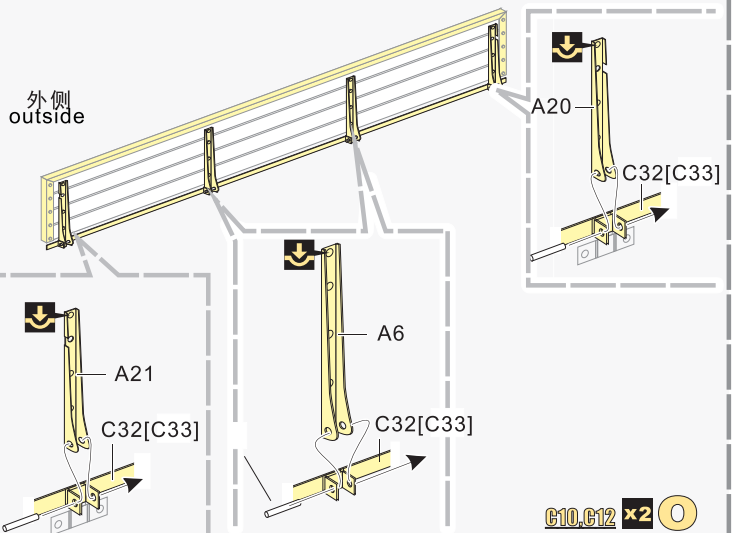
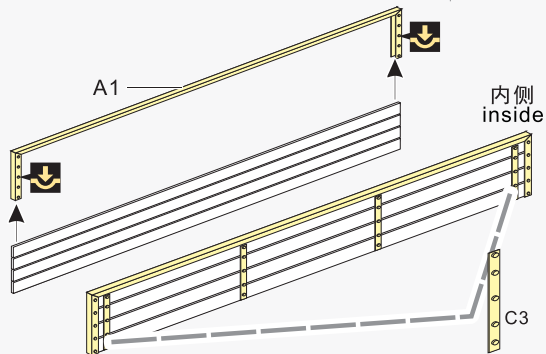
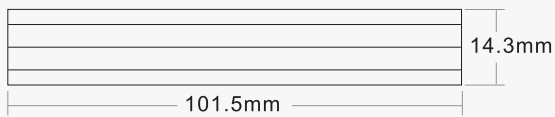


用1mm厚的胶板按照原塑料件(G11)的纹路自制
Use 1mm plastic sheet to duplicate the wood grain refer to original part G11 as guidance



G11 h

用1mm厚的胶板按照原塑料件(G12\G10)的纹路自制
Use 1mm plastic sheet to duplicate the wood grain refer to original part G12\G10 as guidance



G10.G12 x2 O

1/35 MILITARY MINIATURE VEHICLE UPGRADE SERIES PE35246

用1mm厚的胶板按照原塑料件(C4)的纹路自制
Use 1mm plastic sheet to duplicate the wood grain refer to original part C4 as guidance

59.5mm
14.3mm
C4

A7
C3
A18
A16
A17

前板内侧
inside of front end plate

前板外侧
outside of front end plate

用1mm厚的胶板按照原塑料件(C3)的纹路自制
Use 1mm plastic sheet to duplicate the wood grain refer to original part C3 as guidance

59.5mm
14.3mm
C3

后板内侧
inside of rear end plate

B38
B39
B37

后板外侧
outside of rear end plate

A7
A3
A6
A4
C22
C22

D13
D13
C29[C40]
C40[C29]

0.5mmx2.0mm

推荐使用PEA160二战德军200升燃料桶盖改造件进一步升级
We suggest use PEA160 WWII German 200L Fuel Drum Covers for further upgrade.

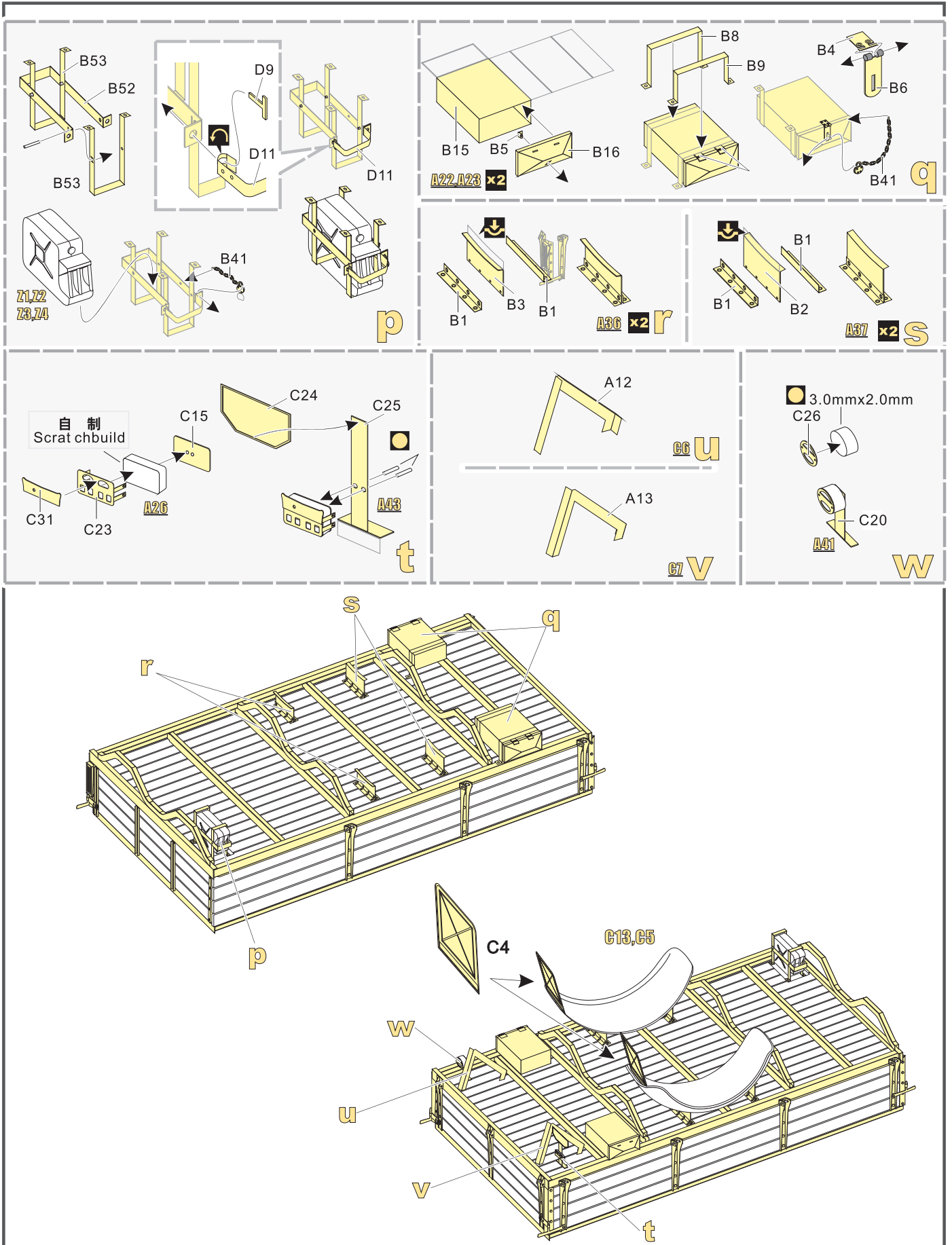
推荐使用PEA161二战德军20升燃料桶/水桶升级改造件进一步升级
We suggest use PEA161 WWII German 20L Jerry Can Upgrade Set for further upgrade.

A15
A18

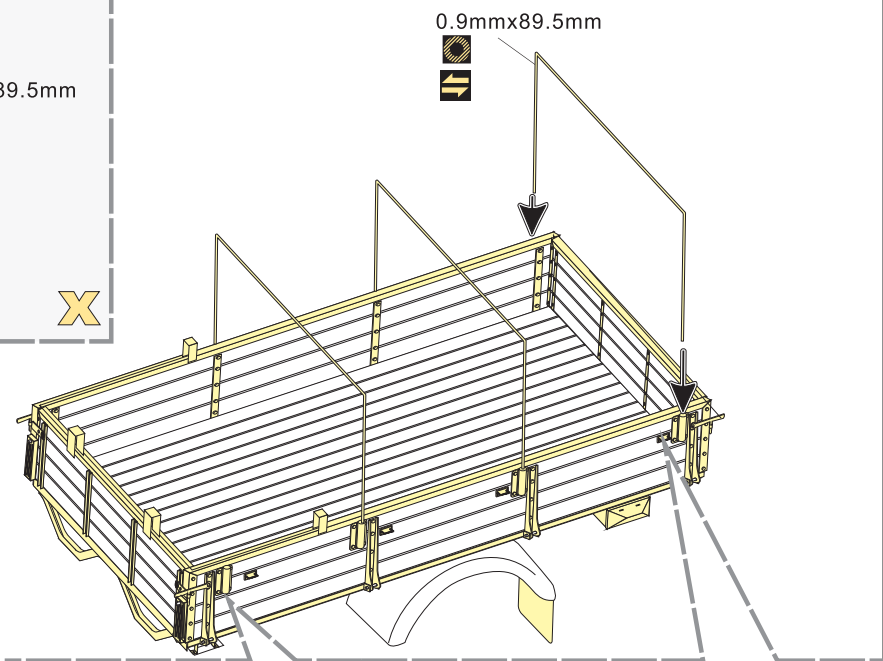
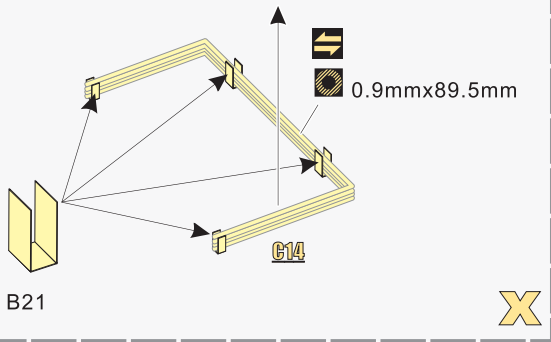
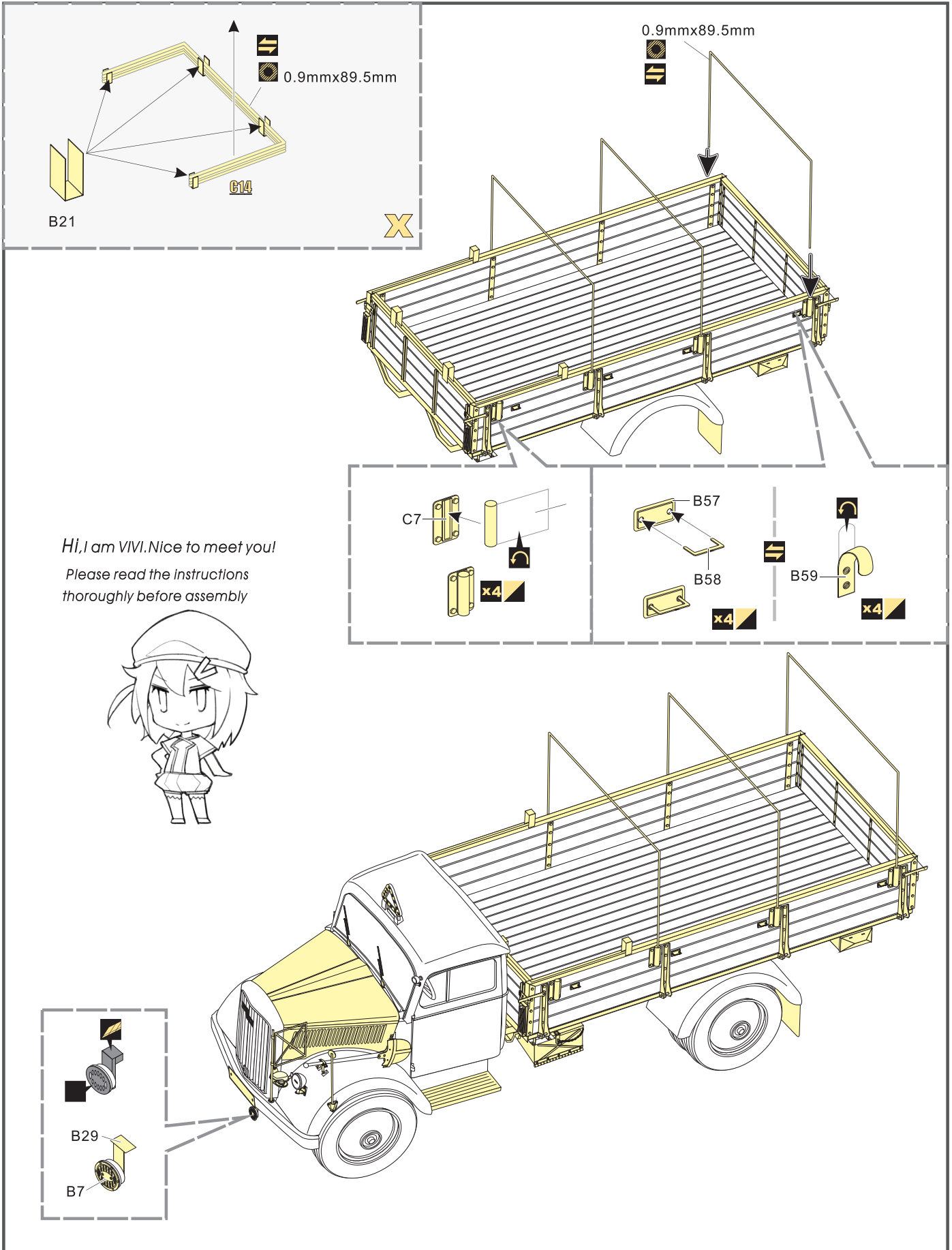
B20
B25

B25
B20

1/35 MILITARY MINIATURE VEHICLE UPGRADE SERIES PE35246



1/35 MILITARY MINIATURE VEHICLE UPGRADE SERIES PE35246



Hi, I am VIVI. Nice to meet you!
Please read the instructions
thoroughly before assembly

