

LAV-25 SLEP (Service Life Extension Program)

美军LAV-25 SLEP装甲车

READ BEFORE ASSEMBLY:

- Study and understand these instructions thoroughly before beginning assembly
- When needed, remove photo-etch parts carefully using a modeling knife or photo etch sprue cutter, being careful not to damage or lose small parts.
- Take extra care in handling photo etch parts in order to avoid injury
- Apply instant cement sparingly to photo etch parts where instructed
- Tools recommended(not included in kit):Plastic and instant cements, sprue cutters,long nose pliers,modeling knife, small files, tweezers, pin vise & scissors. Soft cloth and sandpaper will also assist in construction
- Glue and paint are not included in the kit. Use plastic cement and hobby paints only. Color guide for purchasing paint is included in the kit.

装配之前仔细阅读

- 小心用模型锉刀锉平所有零件表面的注射浇口。
- 小心用刀片切下蚀刻片零件，不要遗失小零件。
- 用强力快干胶水粘合蚀刻片零件和金属轴。过量快干胶水使用可能导致可动零件会粘住，小心涂胶。
- 取蚀刻片时应特别注意安全，防止利边划伤手指。
- 某些零件表面需贴上水贴纸，请选择在装配的同时进行。
- 推荐模型工具(自备)：胶水，水口剪刀，长咀钳，刀片，锉刀，镊子，钳，钻，剪刀，瞬间快干胶。
- 软布同砂纸同时也应该是必备工具。
- 请使用塑料胶水和油漆，模型内不含。



配重
Weight



使用强力胶
Cyanoacrylate glue



钻孔
Make hole



切除
Cut / Remove



贴纸
Decal



锉平
File / Sand



选择
Option



不涂胶水
No cement



弯曲
Bend

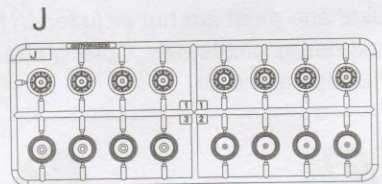
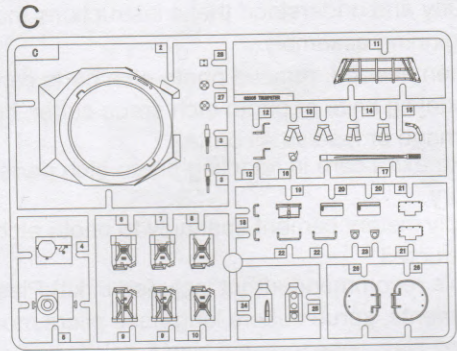
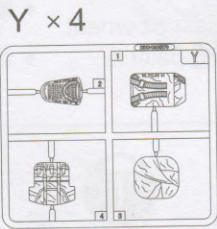
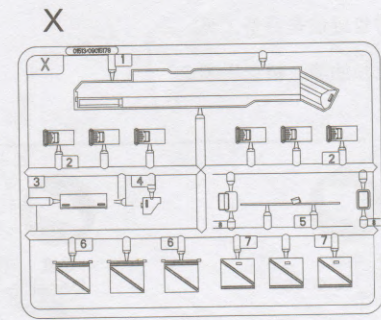
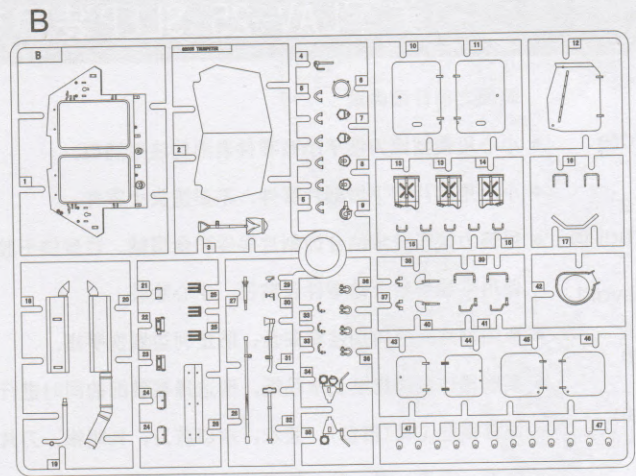
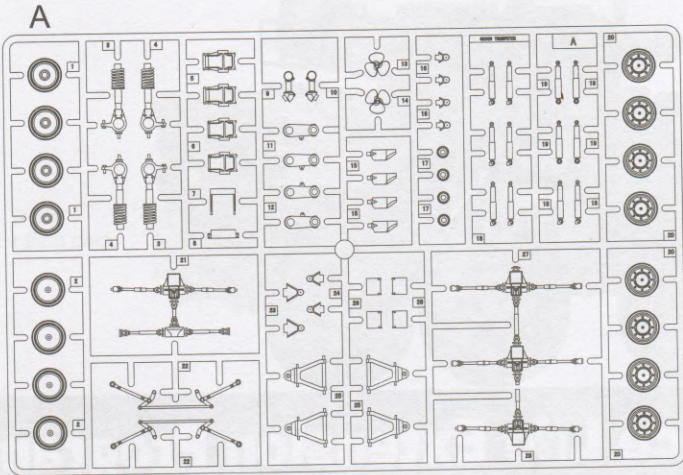
水贴纸的使用:

- 1.从水贴纸上剪下印花;
- 2.将印花放入温水中浸10秒, 然后放在干净布上。
- 3.拿着印花纸板将印花移到模型上;
- 4.手指蘸水将印花移到适当的位置;
- 5.用软布轻压印花直至水干, 气泡消失

DECAL APPLICATION

- 1.Cut decals from sheet as needed
- 2.Dip the decal in warm water for about 10 seconds and then place on soft clean cloth.
- 3.Hold the decal backing sheet edge and gently slide the decal onto the model in its proper position.
- 4.While still wet,decal can be adjusted for better fit on model by dampening it gently with your finger.
- 5.When placed in the proper position,gently press decal down with a soft cloth until excess water and air bubbles are gone.
- 6.Allow decal to dry completely before handling model

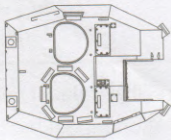
部品图 Parts



《轮胎》
Tyre x 8



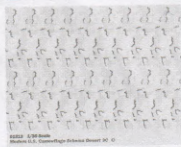
《炮塔》
Turret



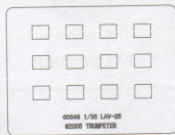
《水贴纸》
Decal



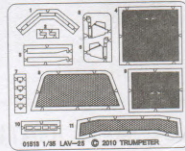
B



《透明片》
Transparent part



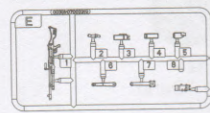
《蚀刻片》
PE



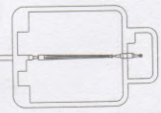
《食品箱》
MRE ration packs



E

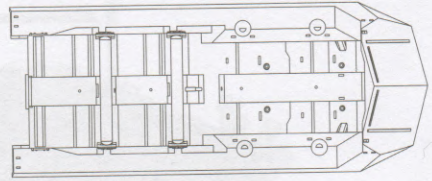


F

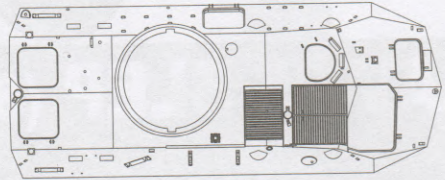


不用部品: A1, A2, A20, B18, B19, B20, B26, C6, C7, C8, C9, C10, C15, C17

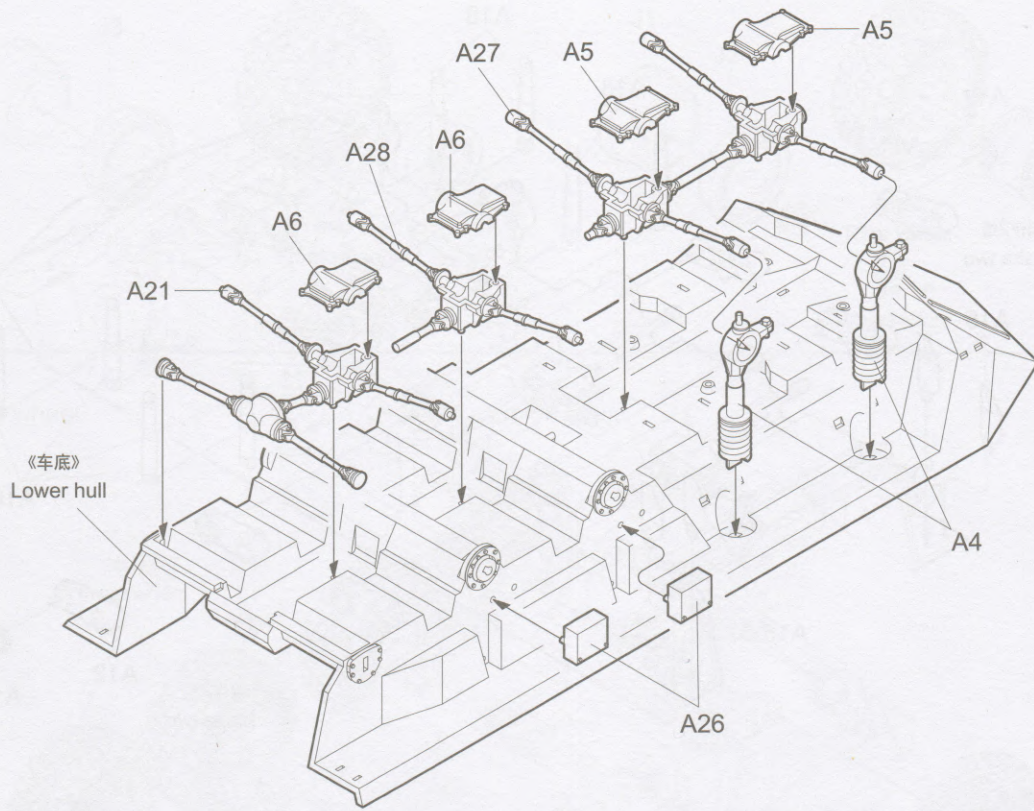
《车底》
Lower hull



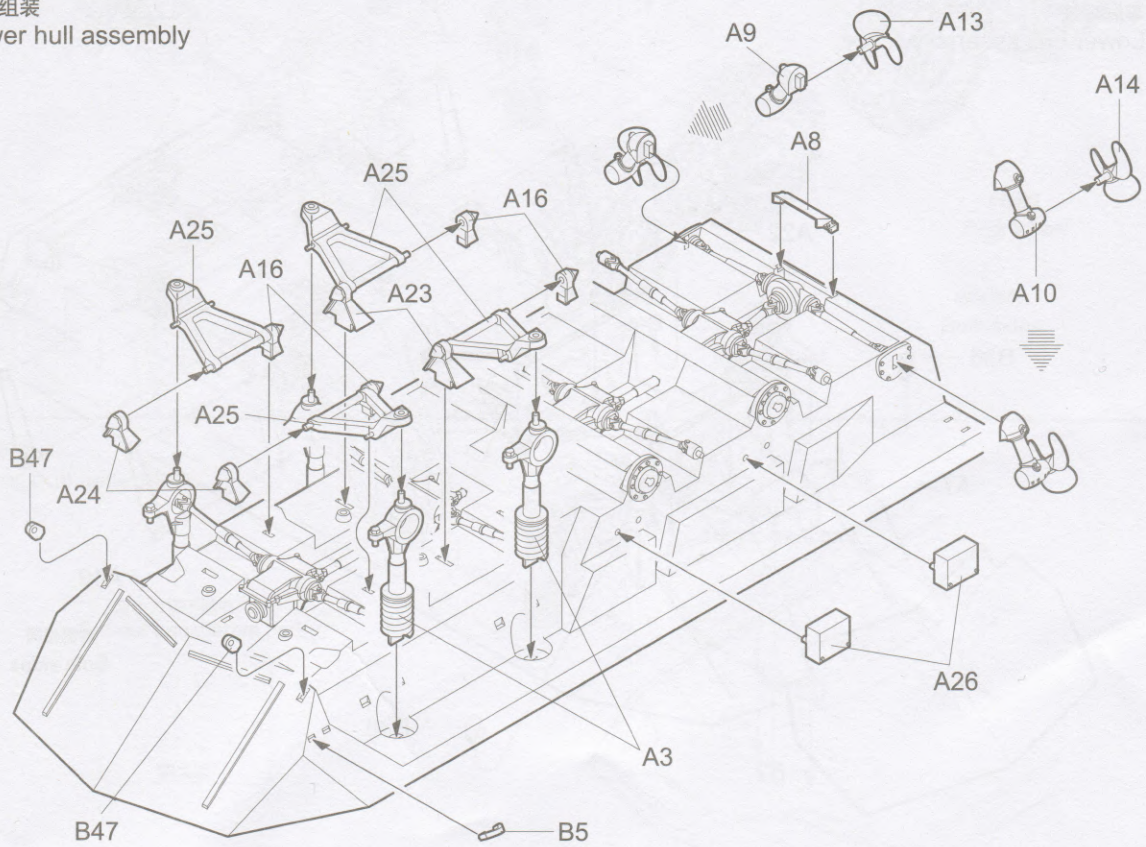
《车面》
Upper hull



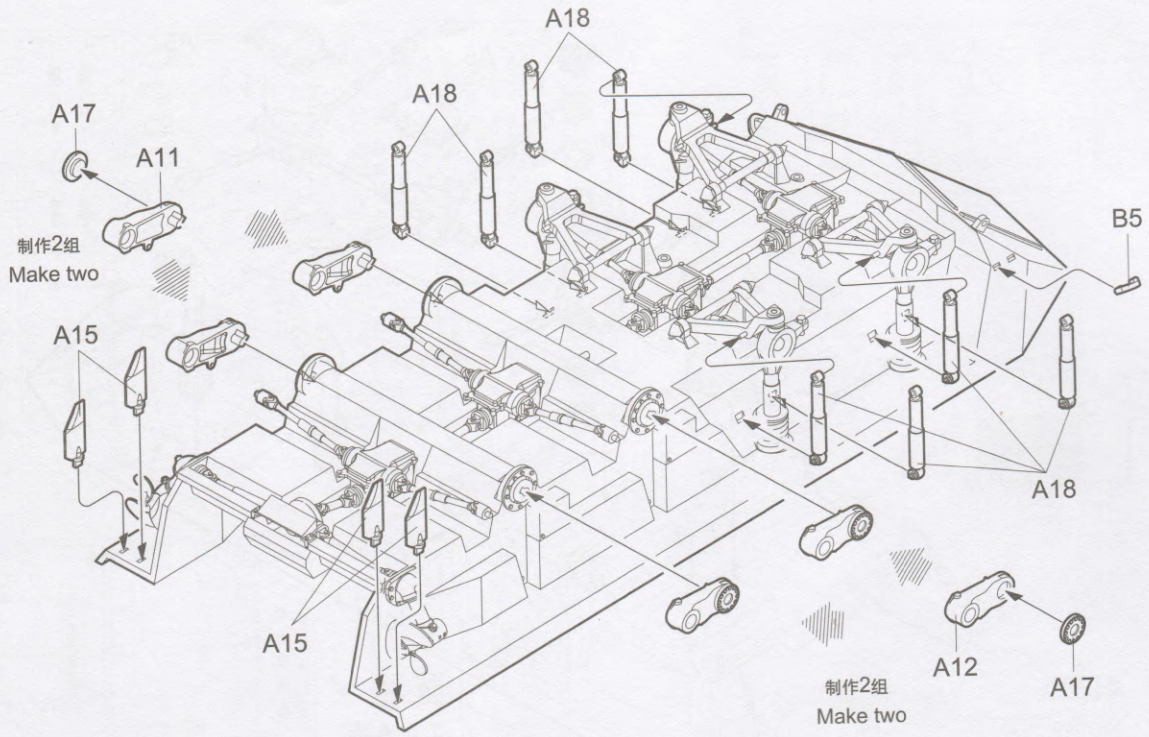
1 车底组装
Lower hull assembly



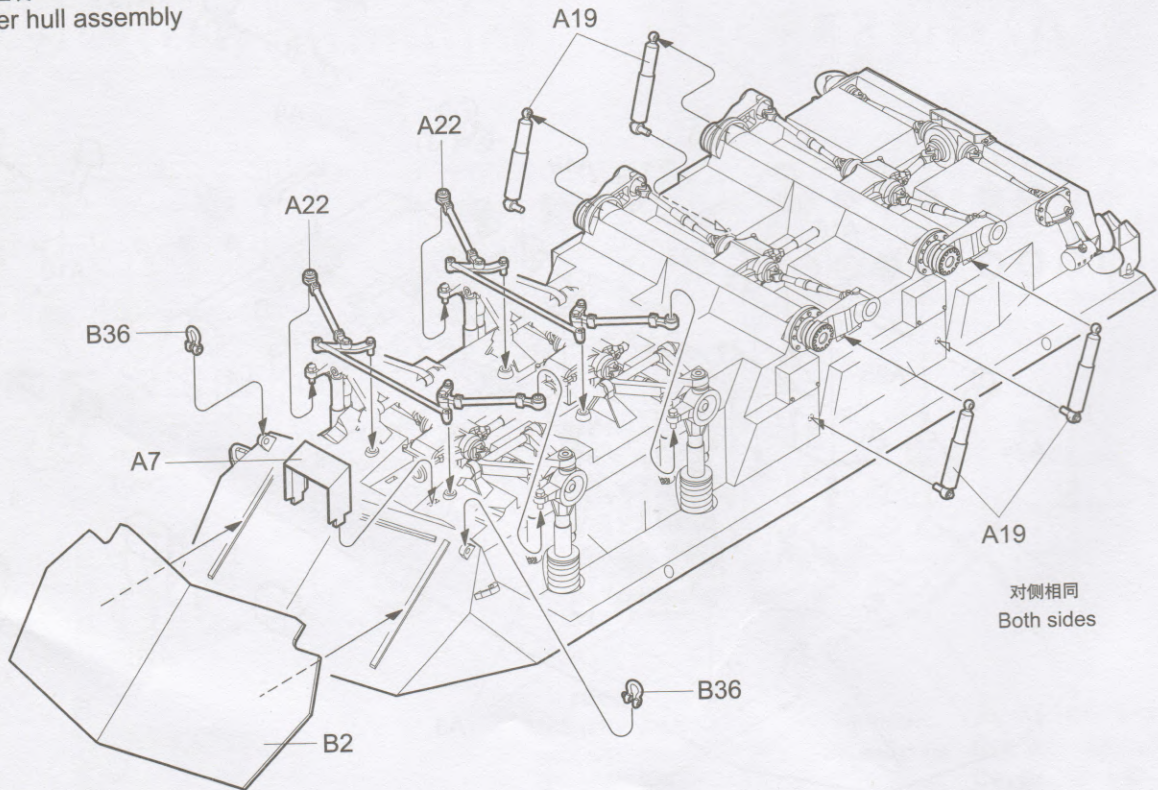
2 车底组装
Lower hull assembly



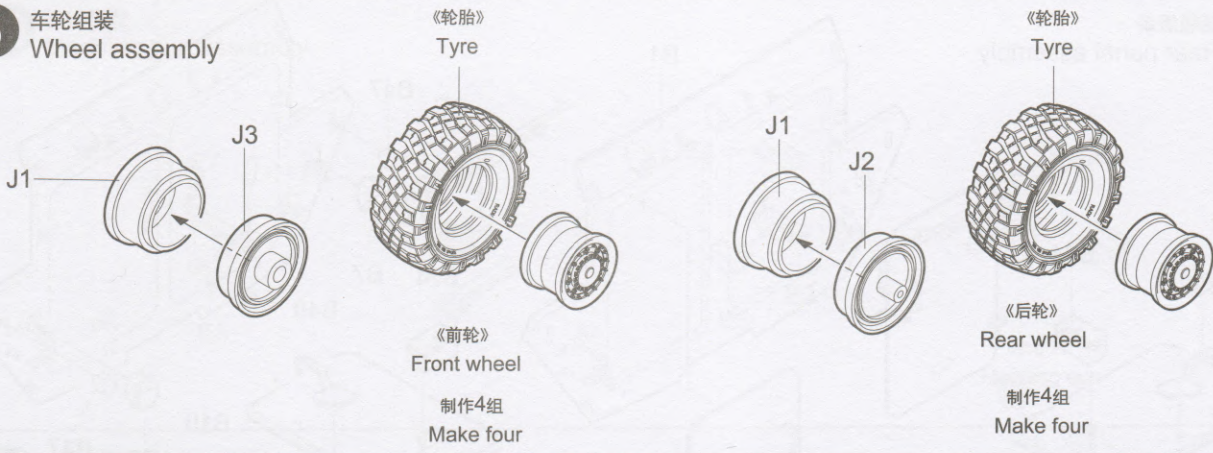
3 车底组装
Lower hull assembly



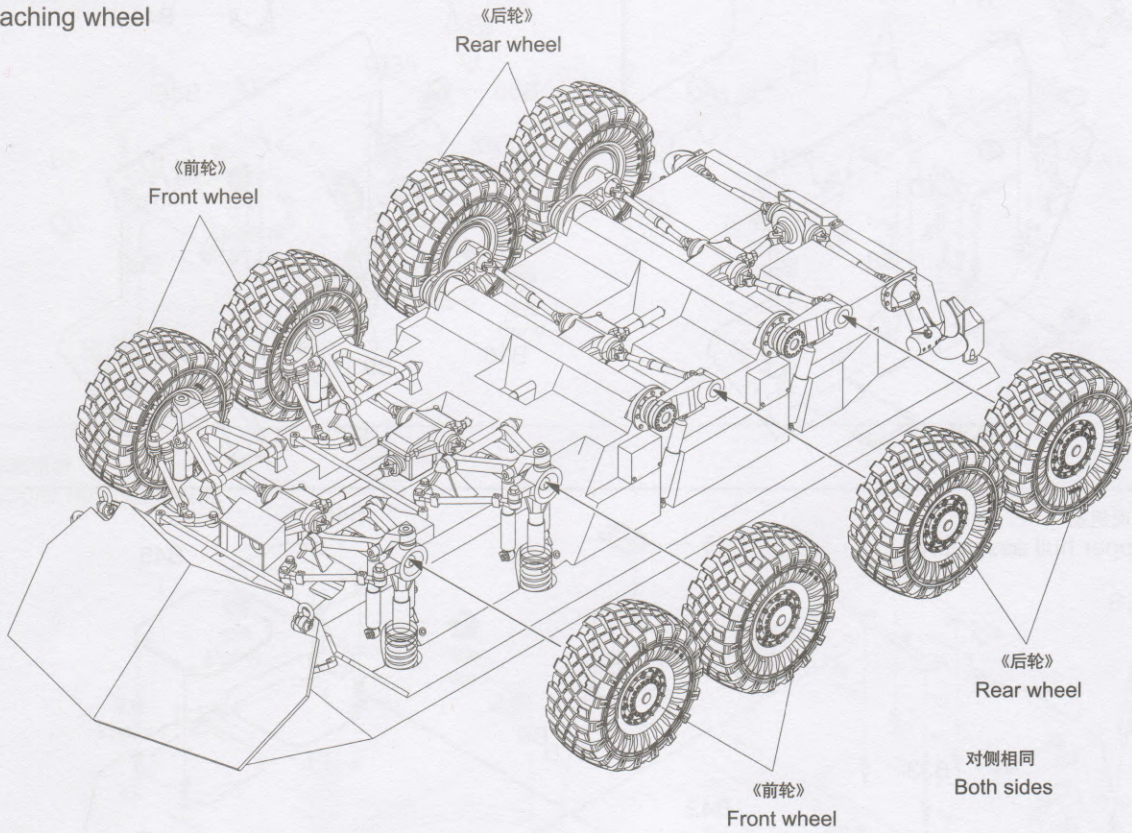
4 车底组装
Lower hull assembly



5 车轮组装
Wheel assembly

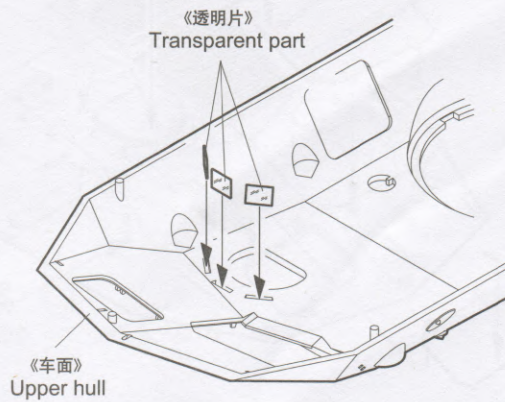
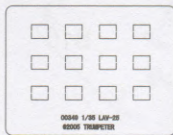


6 车轮安装
Attaching wheel

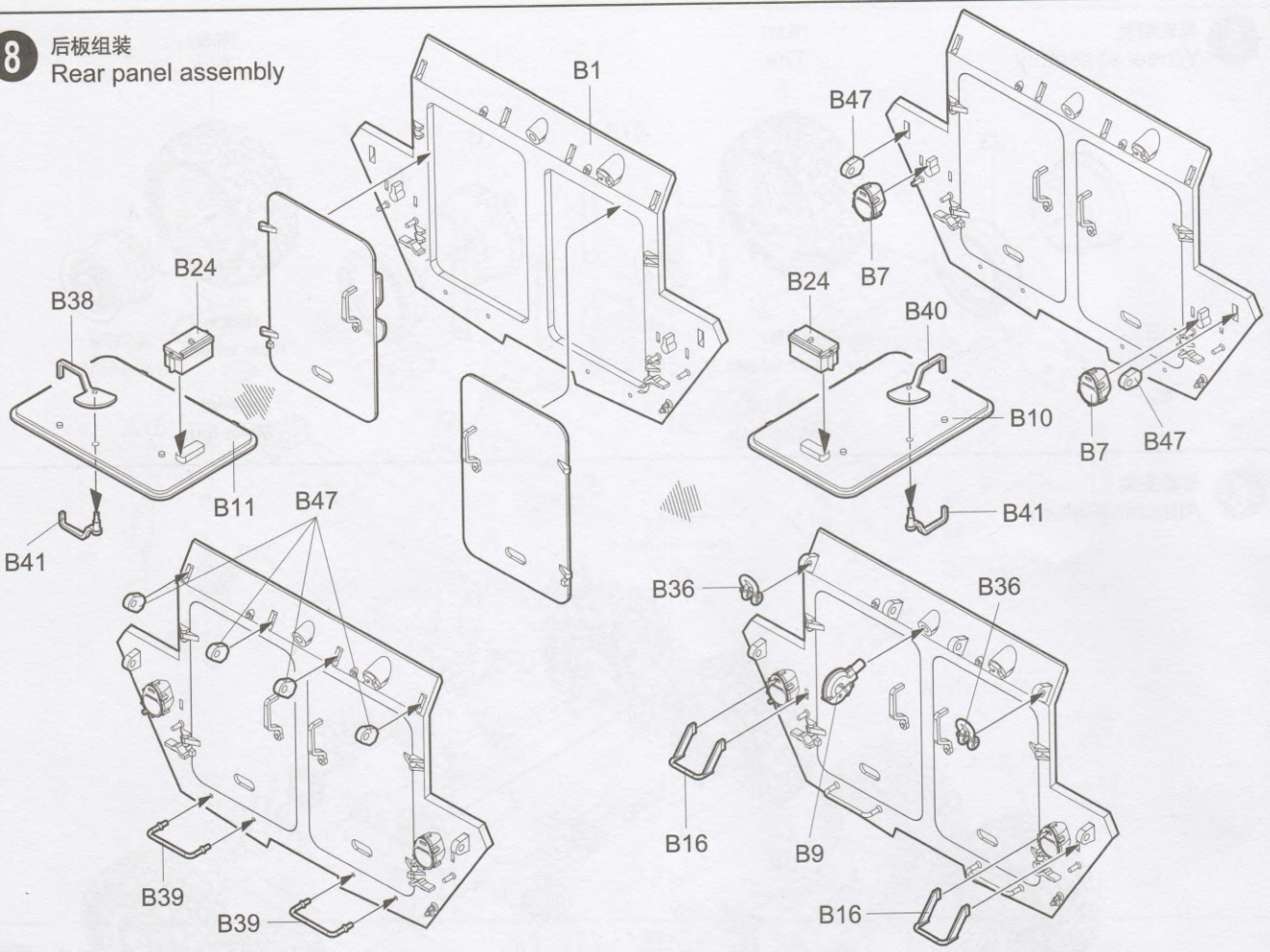


7 车面组装
Upper hull assembly

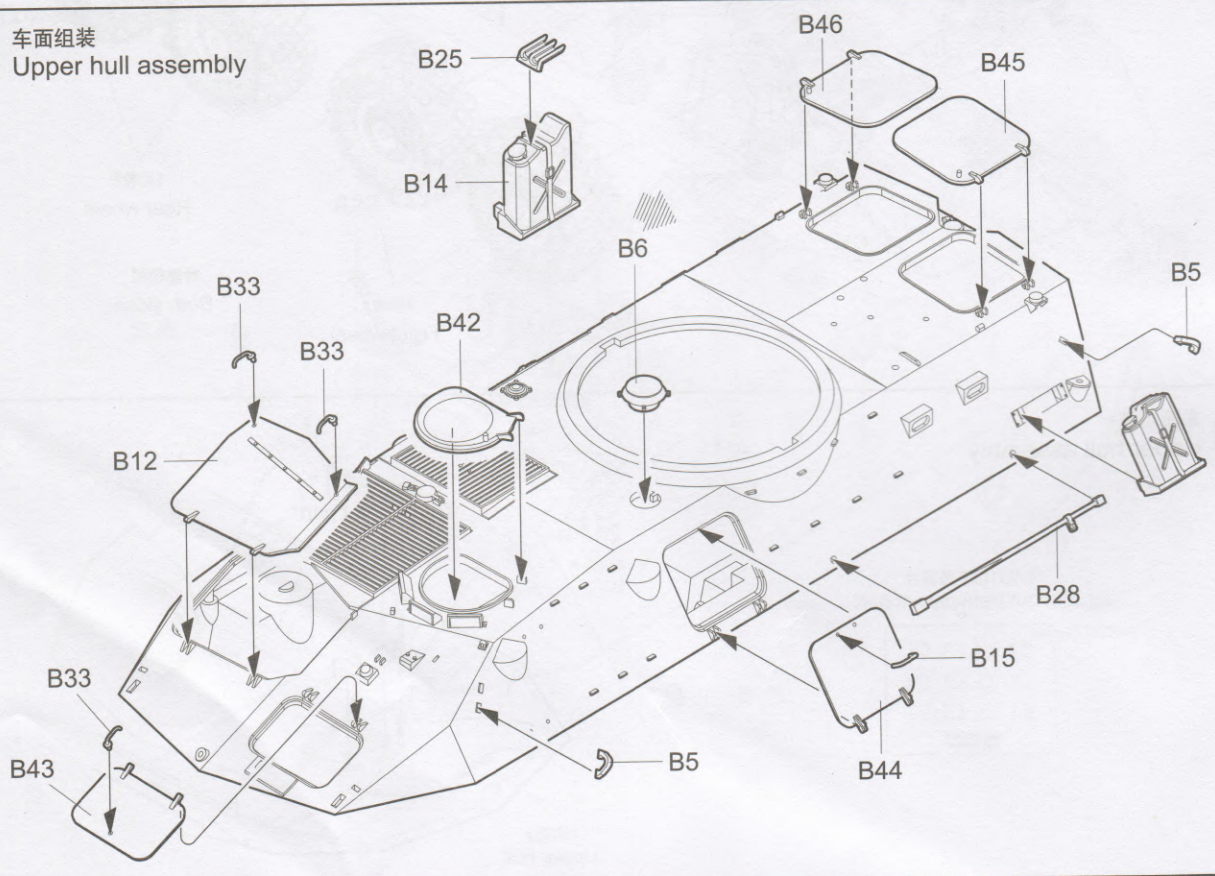
用小刀切下透明片
Cut out transparent part



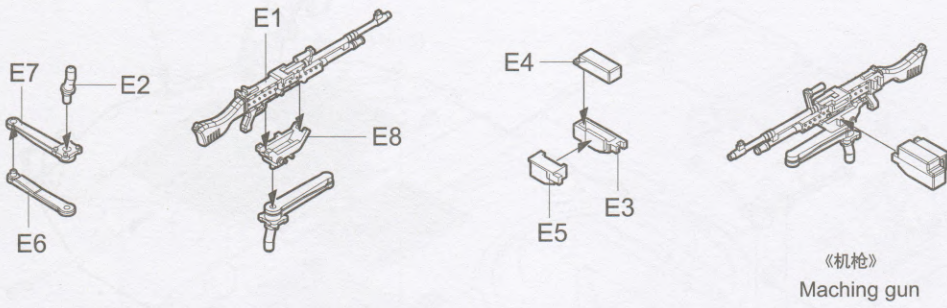
8 后板组装
Rear panel assembly



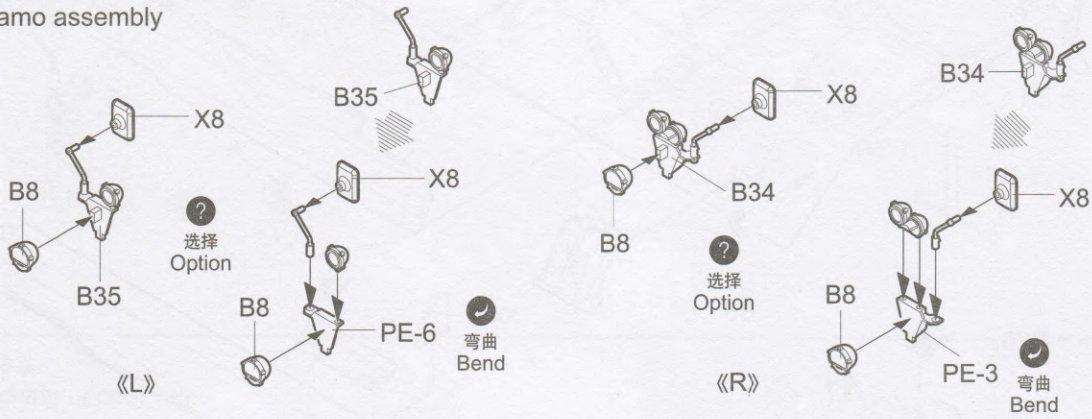
9 车面组装
Upper hull assembly



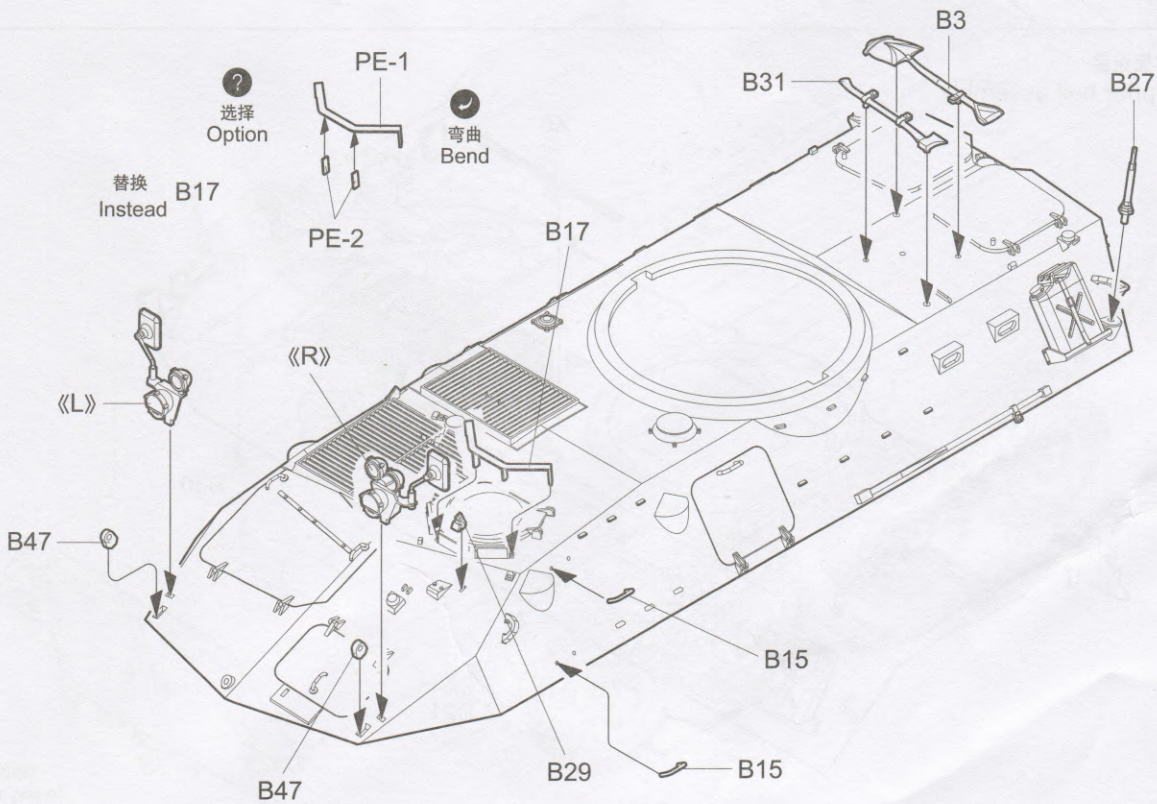
10 机枪组装
Maching gun assembly



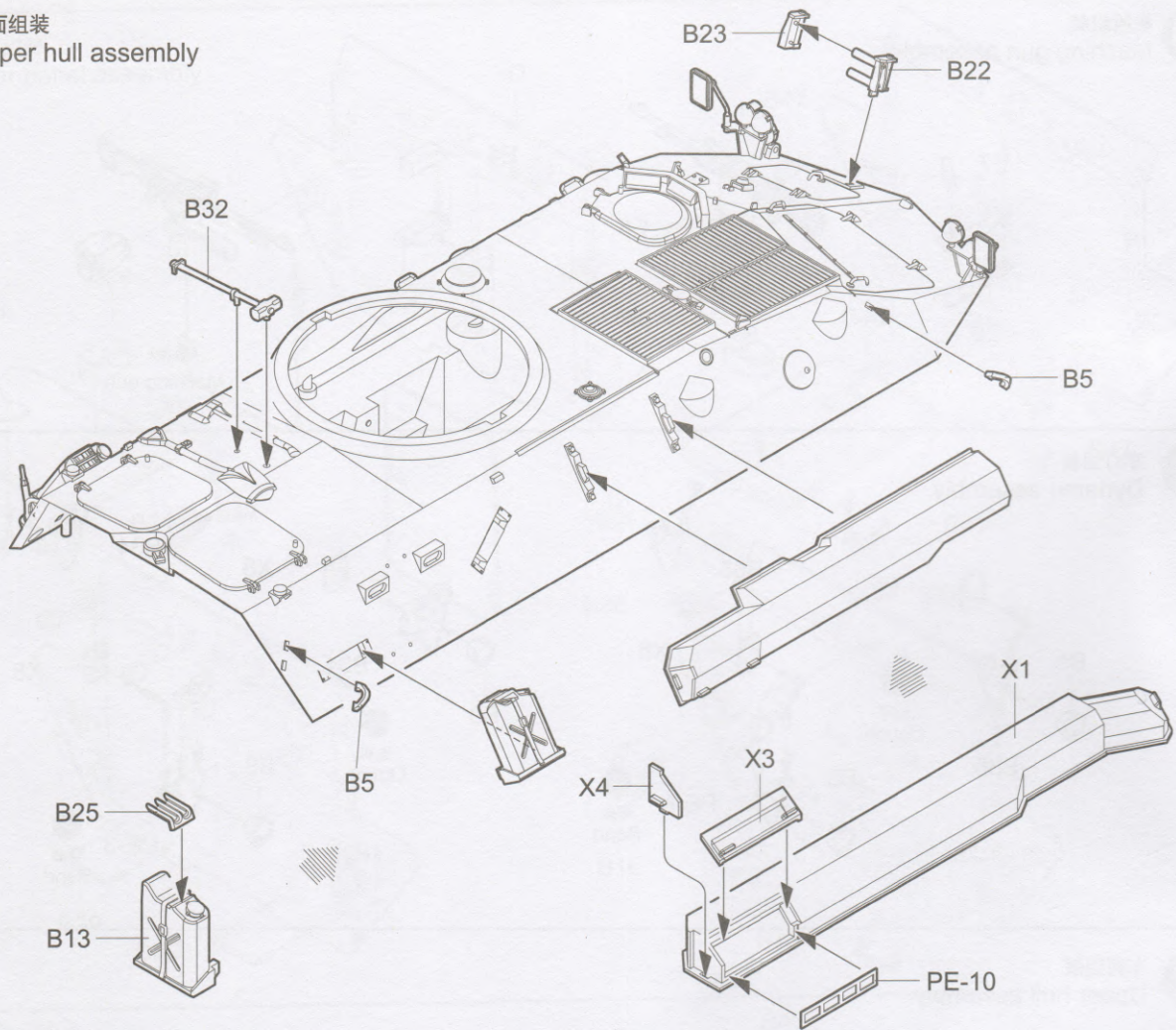
11 车灯组装
Dynamo assembly



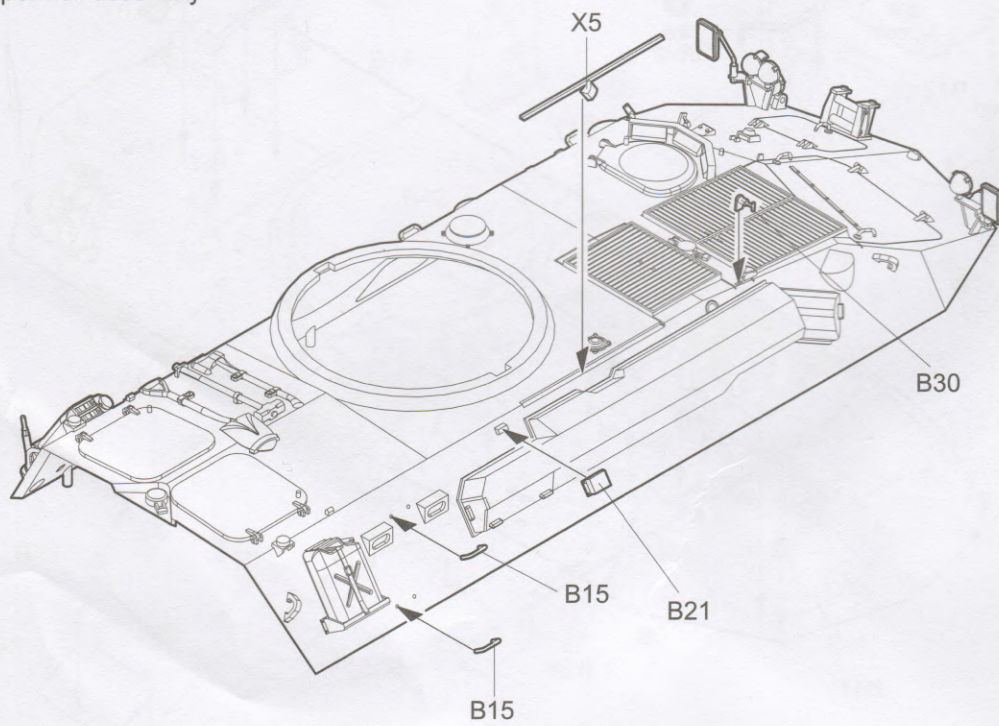
12 车面组装
Upper hull assembly



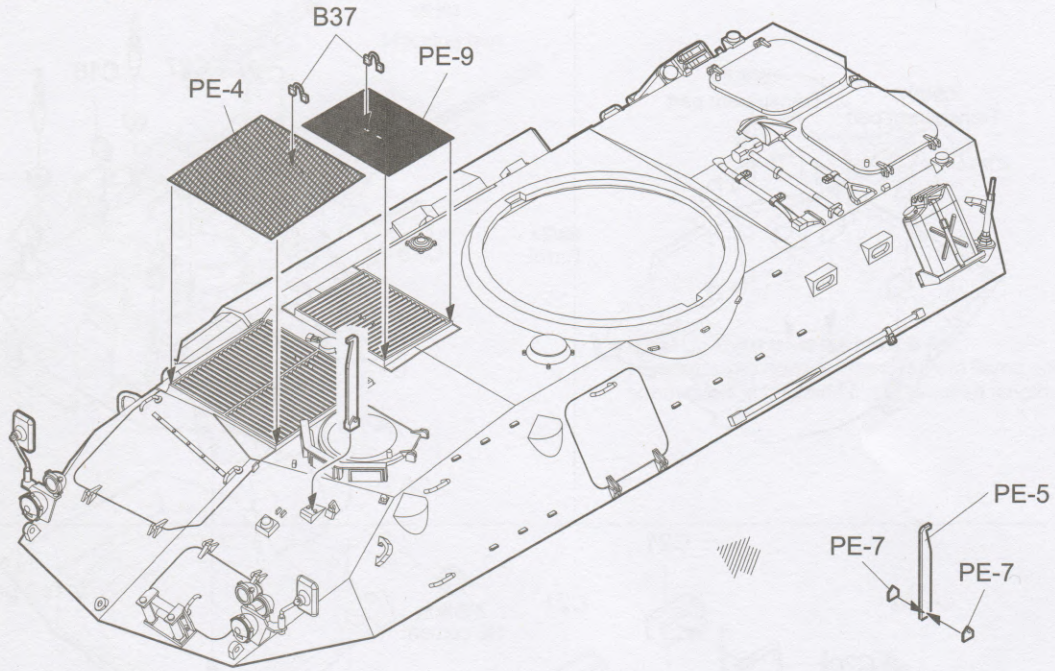
13 车面组装
Upper hull assembly



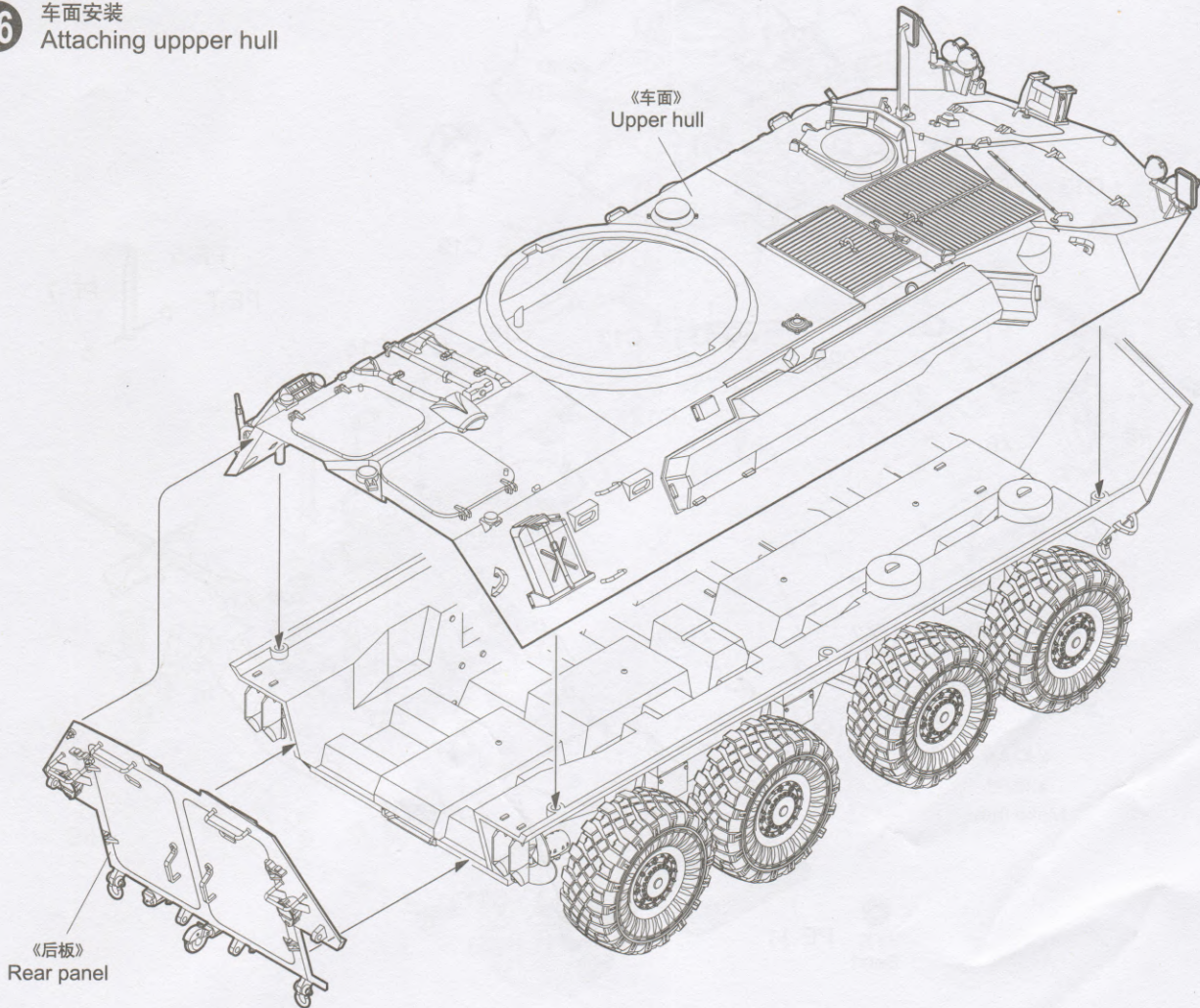
14 车面组装
Upper hull assembly



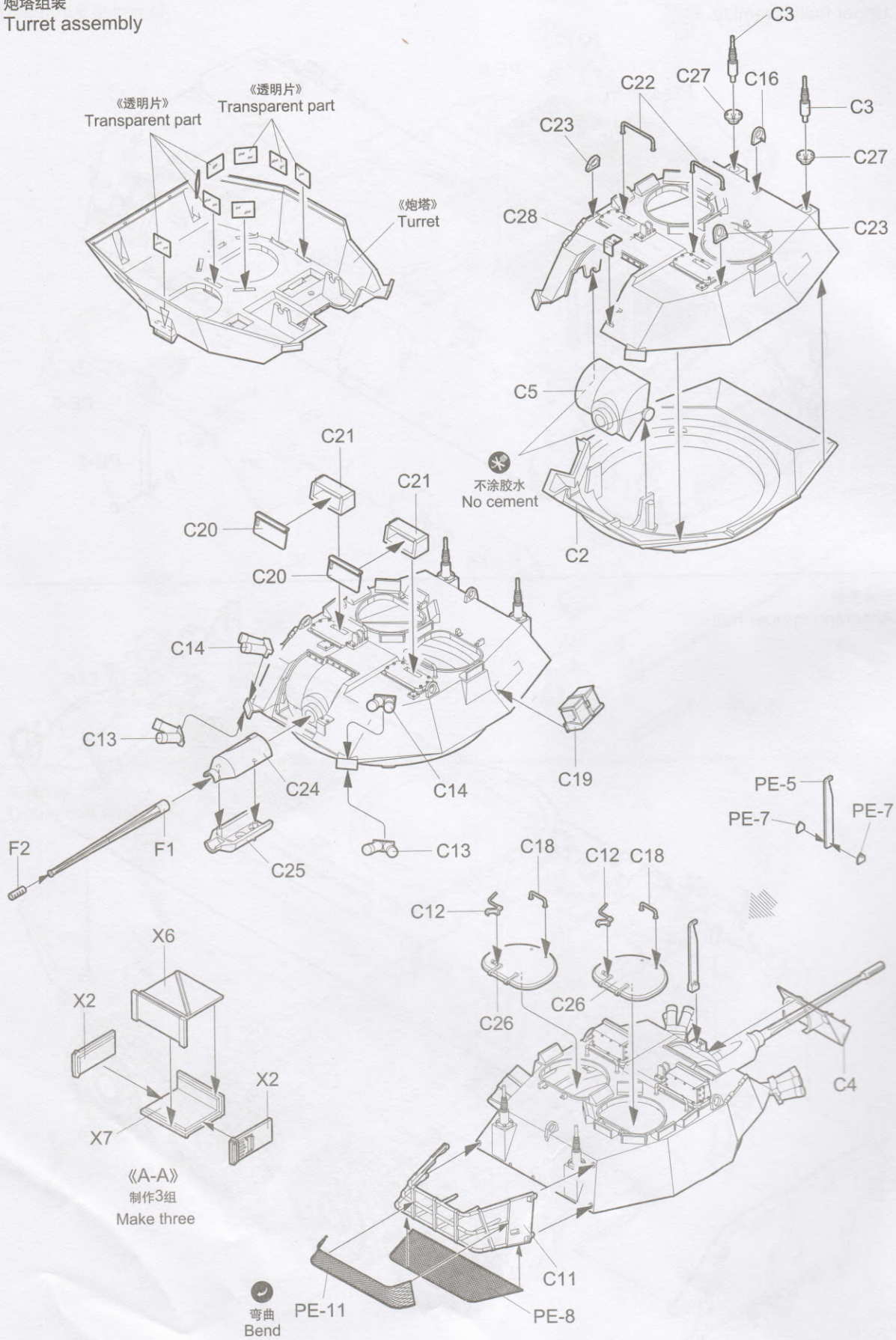
15 车面组装
Upper hull assembly



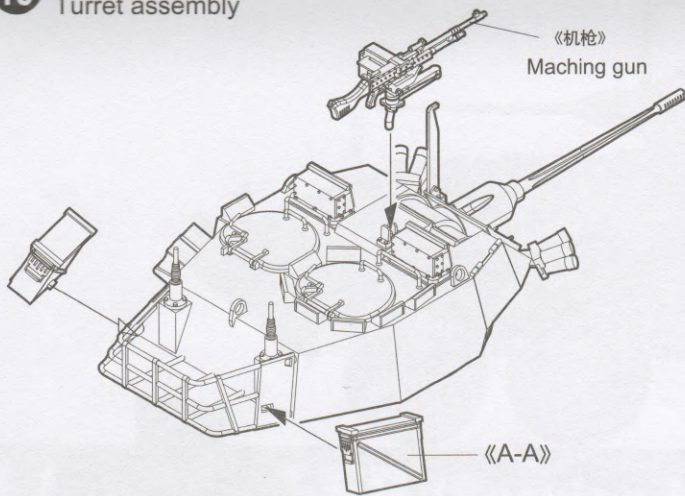
16 车面安装
Attaching upper hull



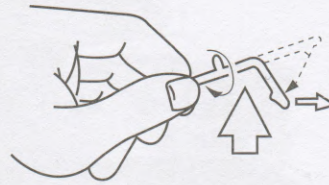
17 炮塔组装
Turret assembly



18 炮塔组装
Turret assembly

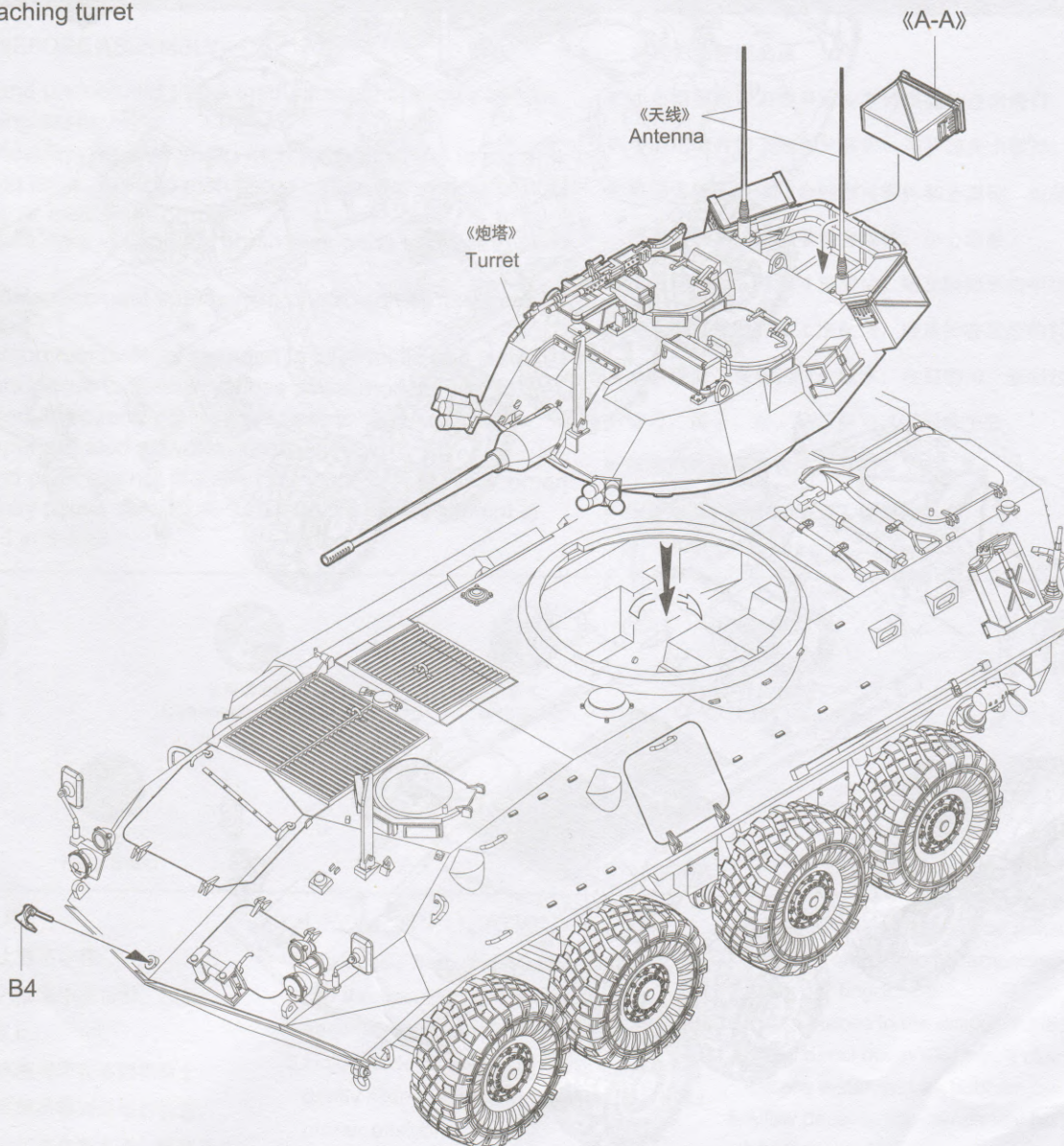


天线制作
How to make antenna

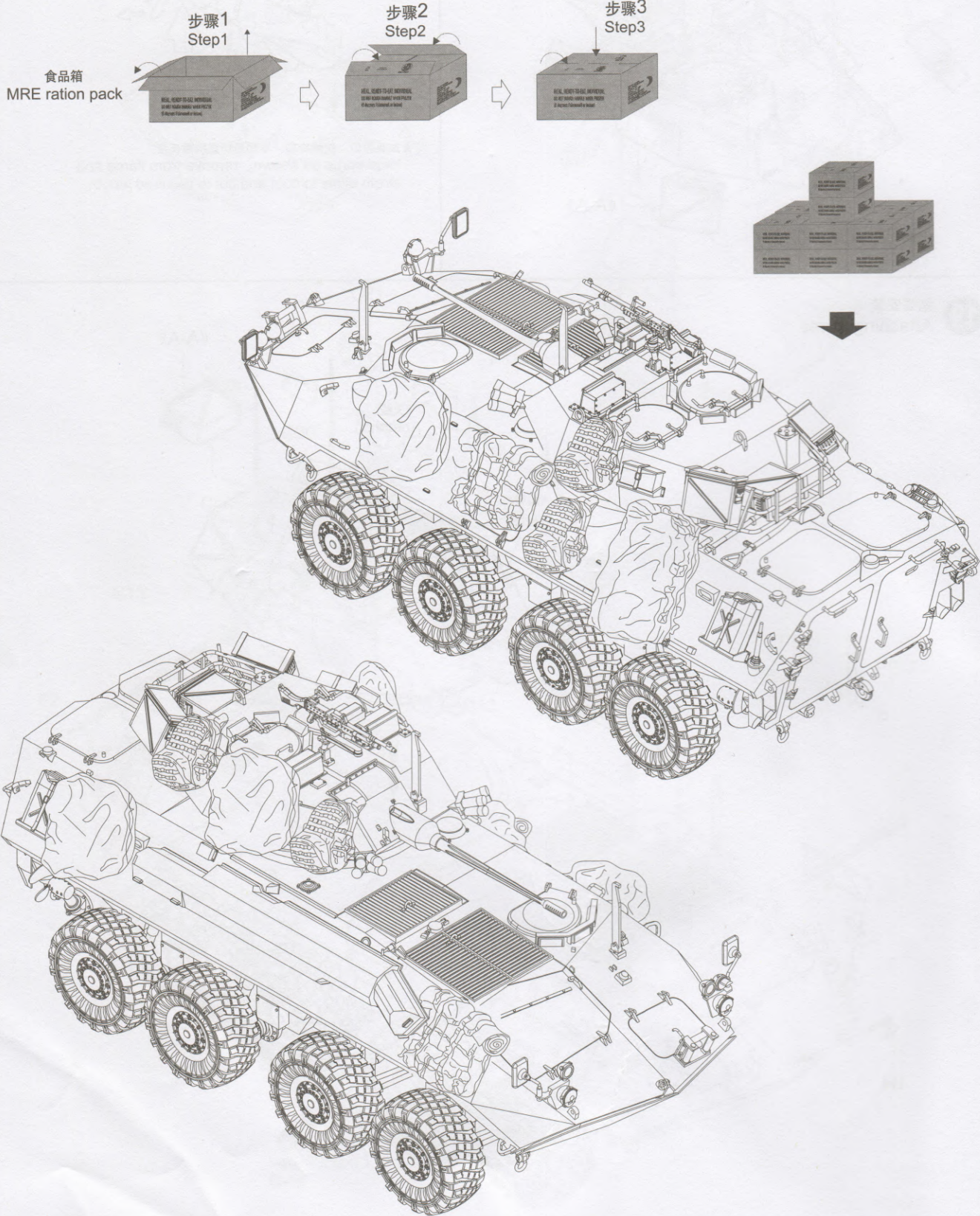


★加热胶口，拉线冷却，冷却后切成所需长度。
Heat sprue as shown, remove from flame and stretch allow to cool and cut to required length.

19 炮塔安装
Attaching turret



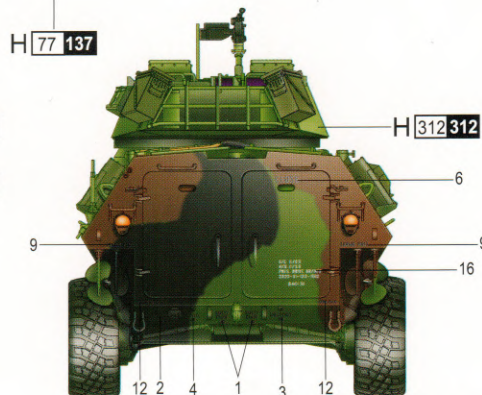
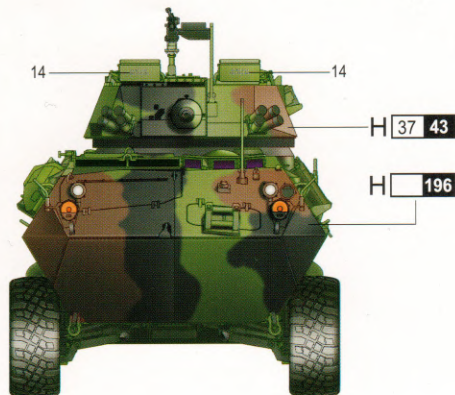
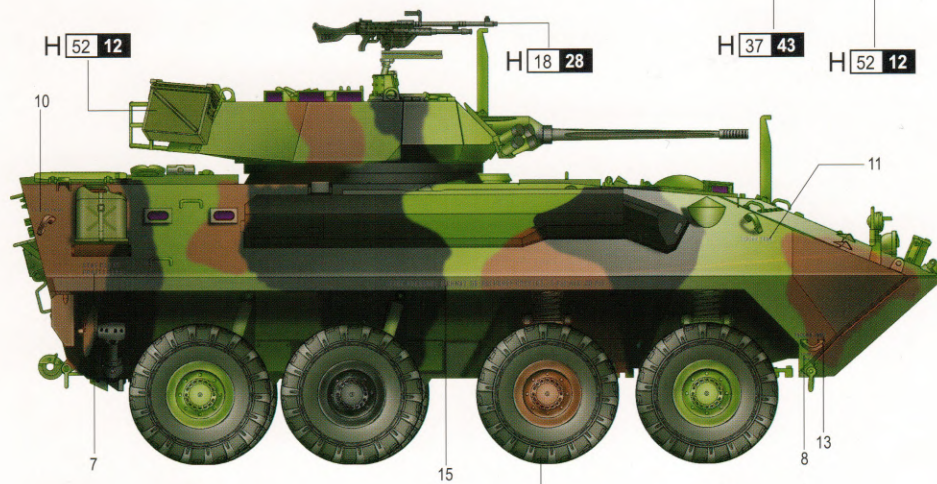
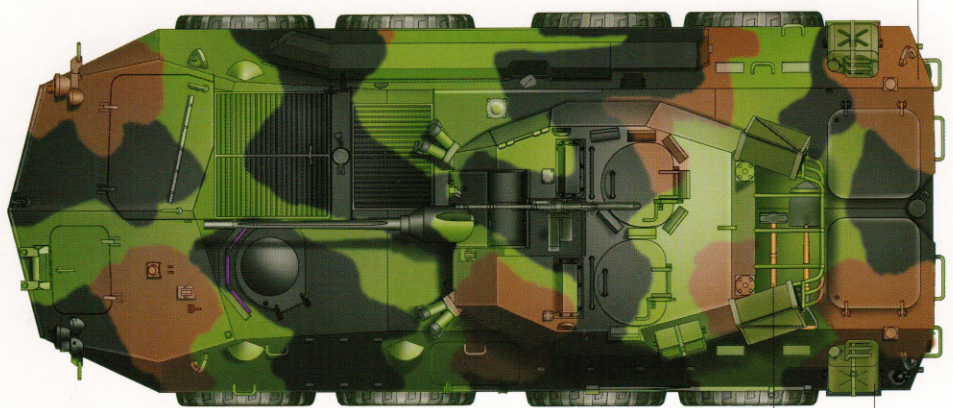
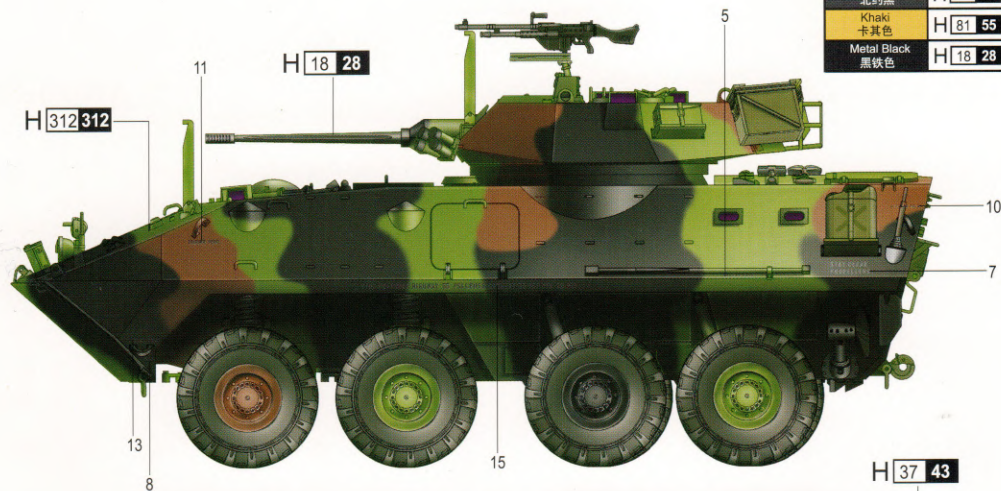
20 装备随个人喜好选择安装
Attaching the military stowages as you like



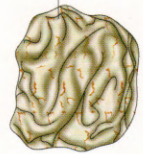
涂装同标贴指示

Painting & Marking guide

Color	Mr.Hobby	Vallejo	Model Master	Tamiya	Humbrol
Olive Drab(1) 橄榄褐	H 52 12	887	1711	XF62	155
Wood Brown 木棕色	H 37 43	983	1701	-	186
Tire Black 胎黑色	H 77 137	-	-	-	-
Medium grey green 中灰绿色	H 312 312	-	1716	-	120
Dark gray 北约黑	H 196	-	-	XF69	-
Khaki 卡其色	H 81 55	988	-	X49	26
Metal Black 黑铁色	H 18 28	864	1402	-	-



B
贴纸
Decal



H 81 55

H AQUEOUS HOBBY COLOR ■ Mr. COLOR