

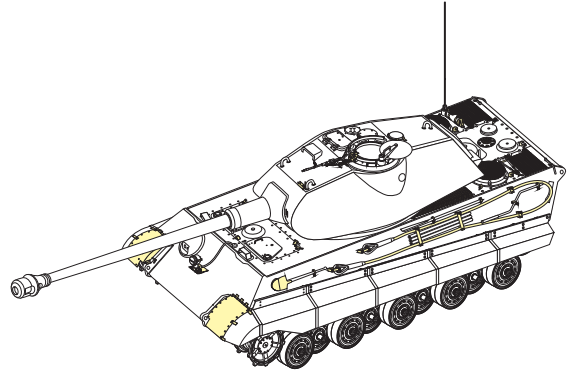
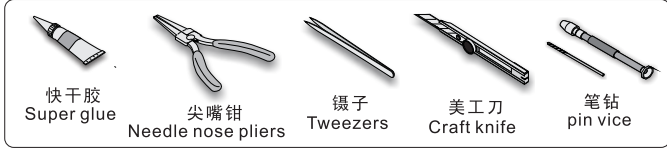
1/35 MILITARY MINIATURE VEHICLE UPGRADESERIES PE35234

WWII German King Tiger (Porsche Turret)

二战德军虎王坦克(保时捷炮塔)改造件

[For DRAGON Kit]

推荐使用工具 RECOMMENDED TOOLS



- 安装
install
- 折叠
bend
- A1**

改造件零件编号
PE/resin part number
- B12**

原零件编号
kit part number
- C22**

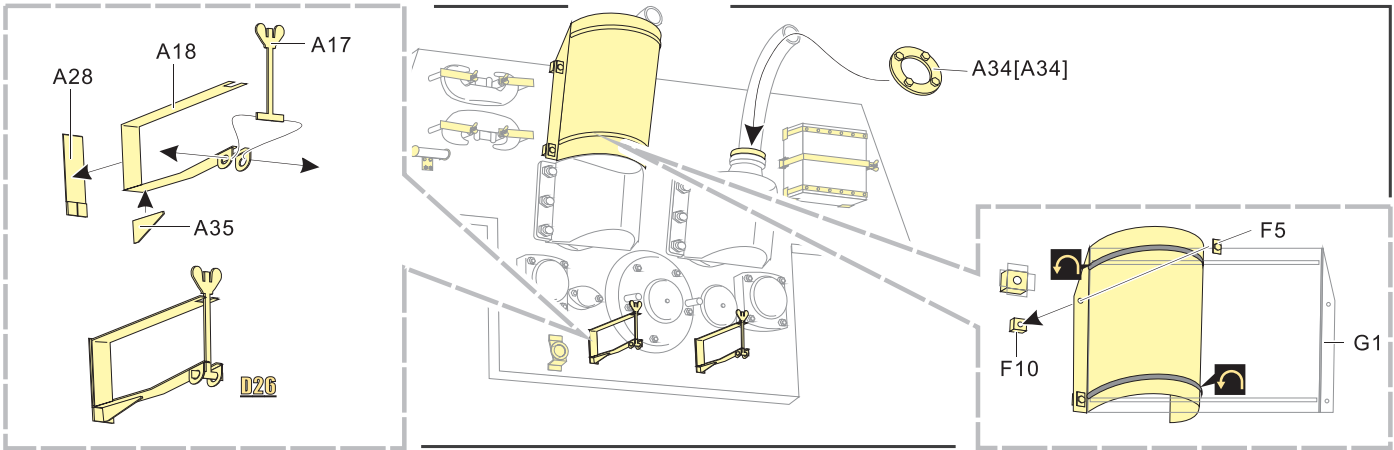
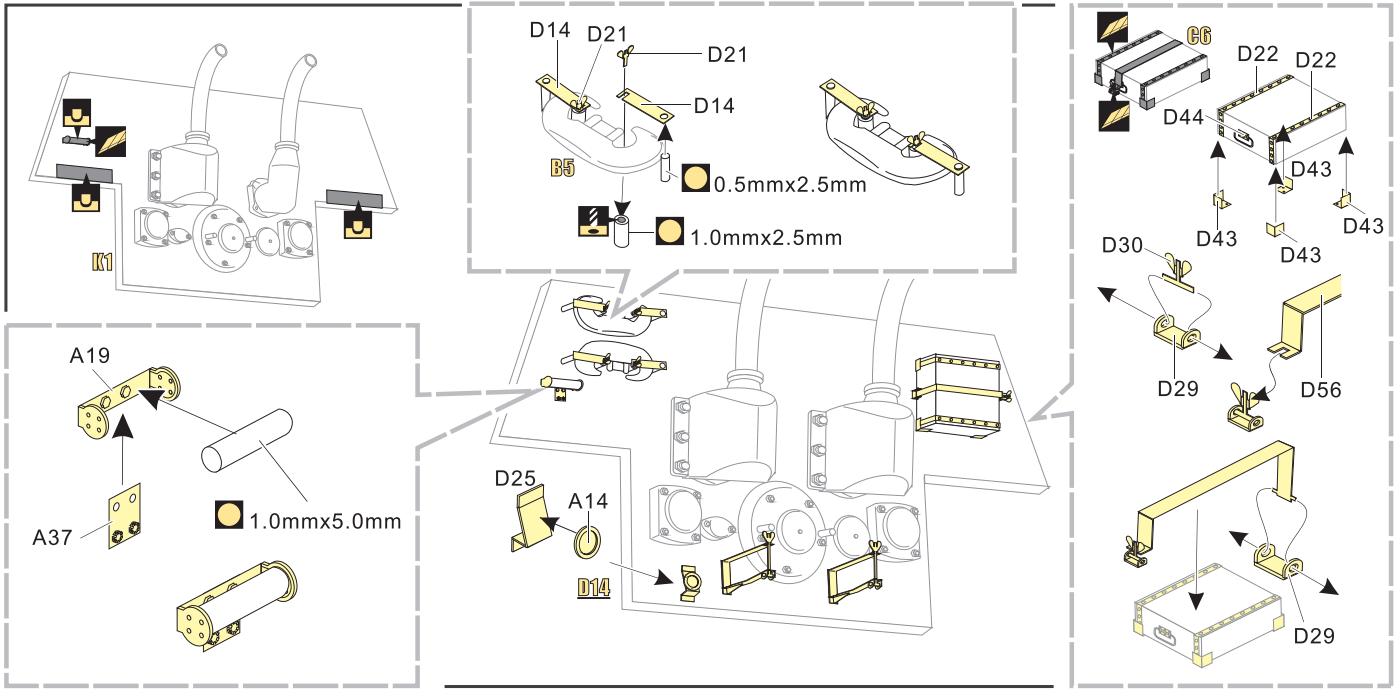
被替换的原零件编号
replaced kit part number
- 选择安装
alternative
- 弧度卷曲
radial bending
- 钻孔
drill
- 切除
remove
- 另一侧相同制作
repeat on opposite side
- 注意
caution
- 填补
fill
- x2**

制作若干组
multiple assembly
- 用胶棒制作
make from plastic rod
- 用铜管制作
make from brass tube

用尖端在凹槽处冲压
 use penpoint to press on the dent

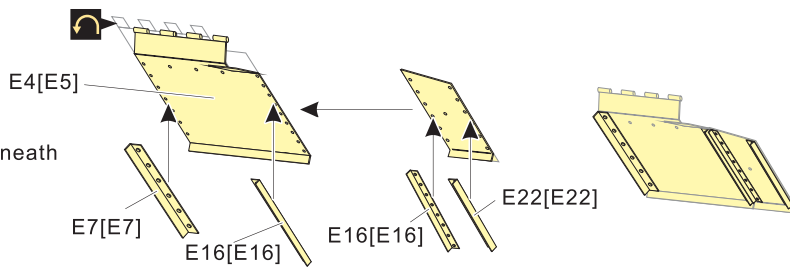
圆珠笔
 Ballpen

蚀刻片零件内侧面
 PE part inboard side turn up
 用笔尖在凹槽处刮
 Use penpoint scratch on the flute

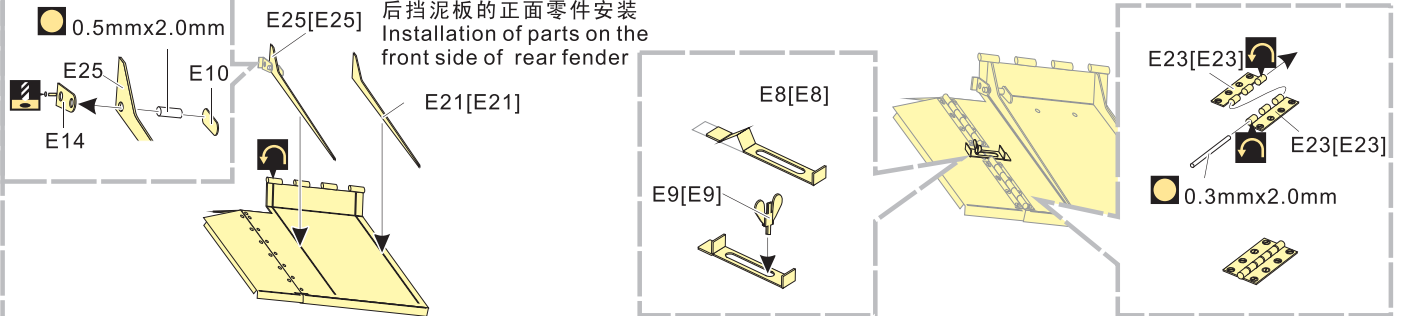


1/35 MILITARY MINIATURE VEHICLE UPGRADESERIES PE35234

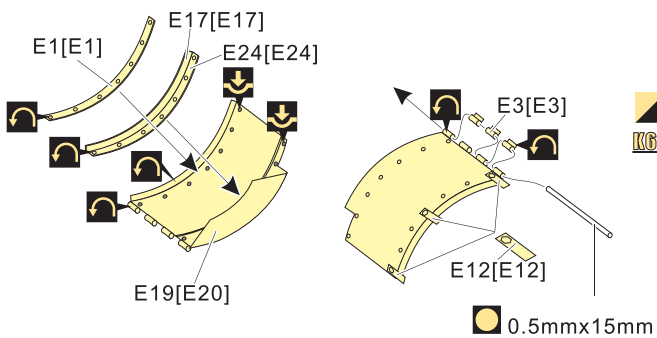
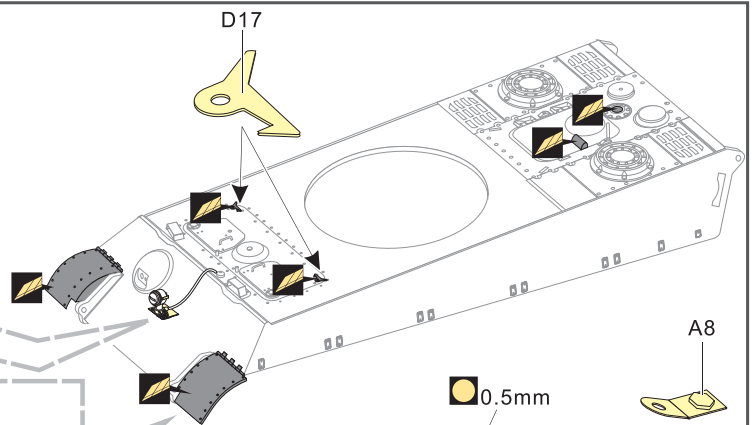
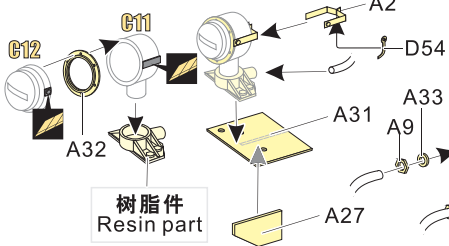
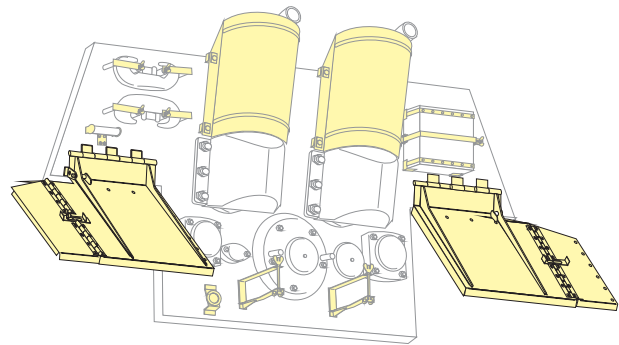
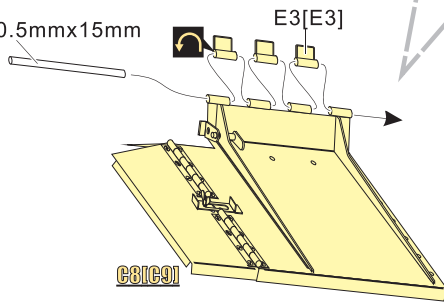
后挡泥板的底面零件安装
Installation of parts underneath
the rear fender



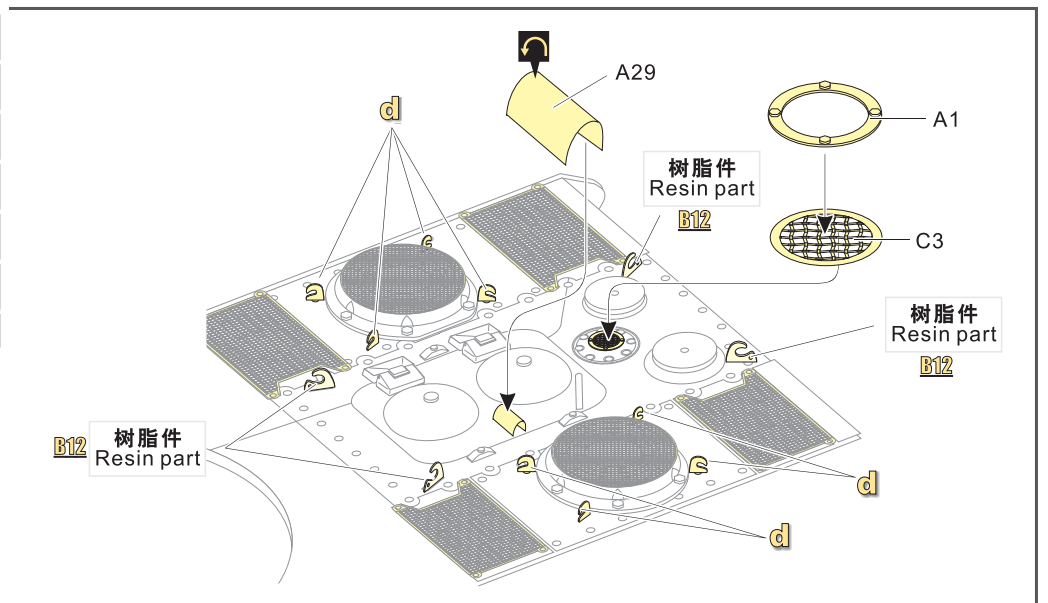
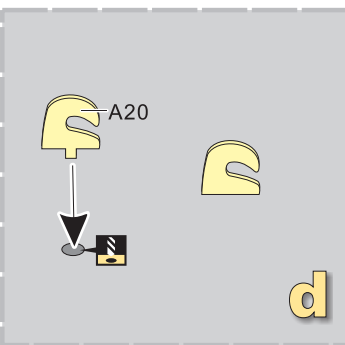
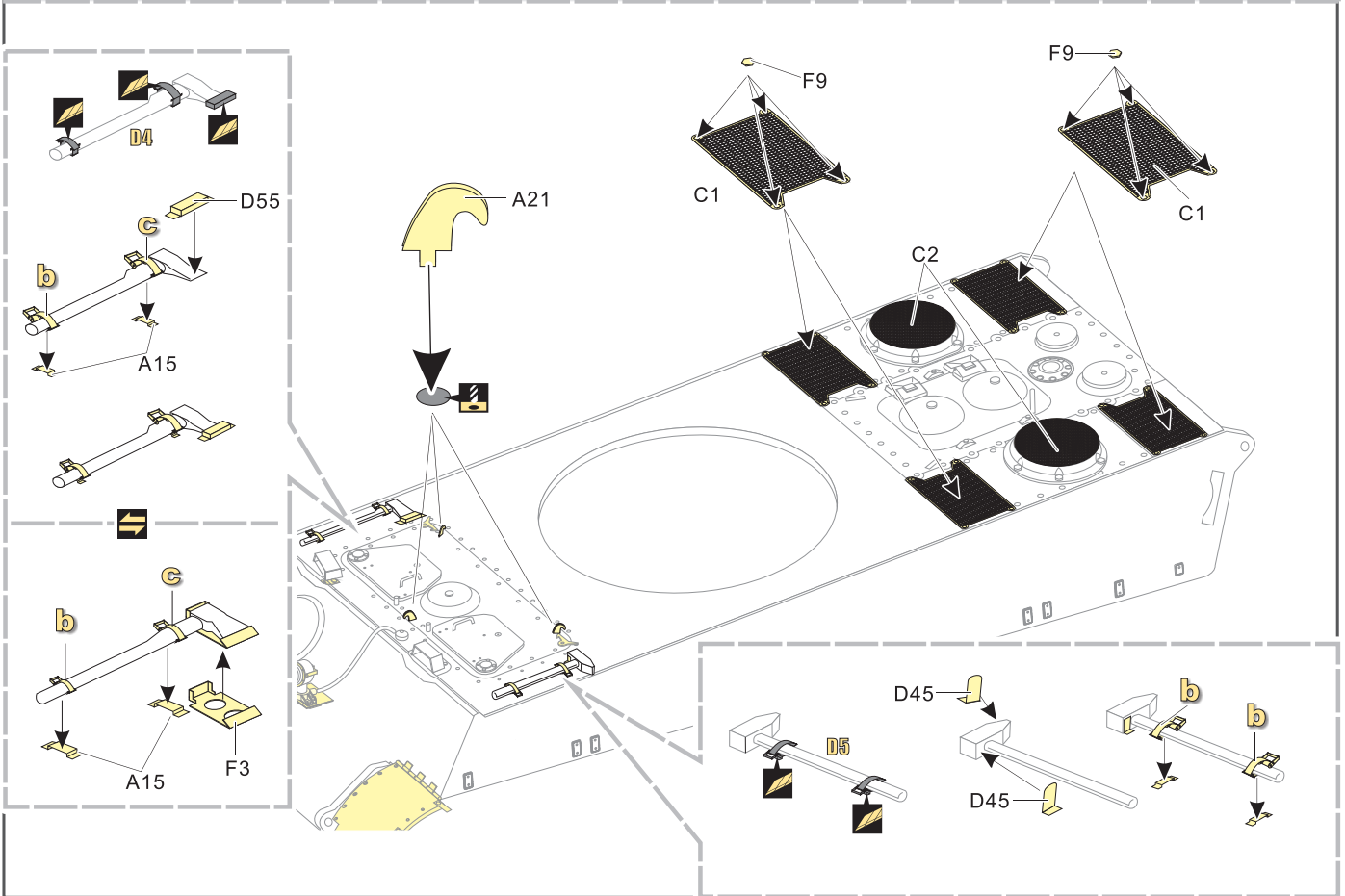
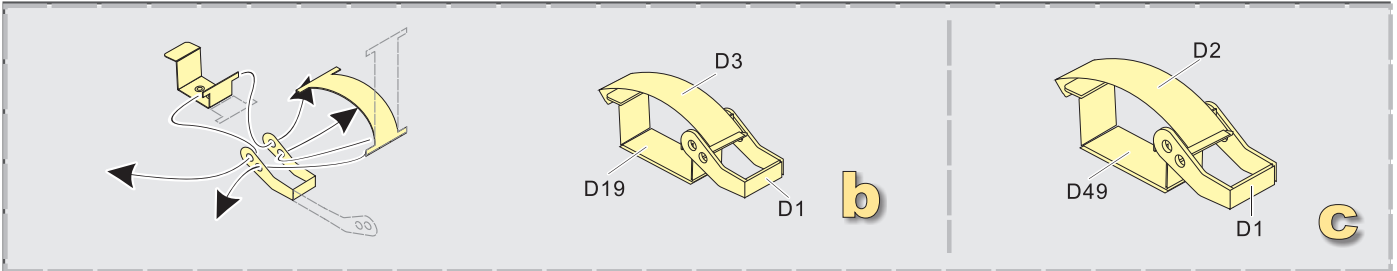
后挡泥板的正面零件安装
Installation of parts on the
front side of rear fender



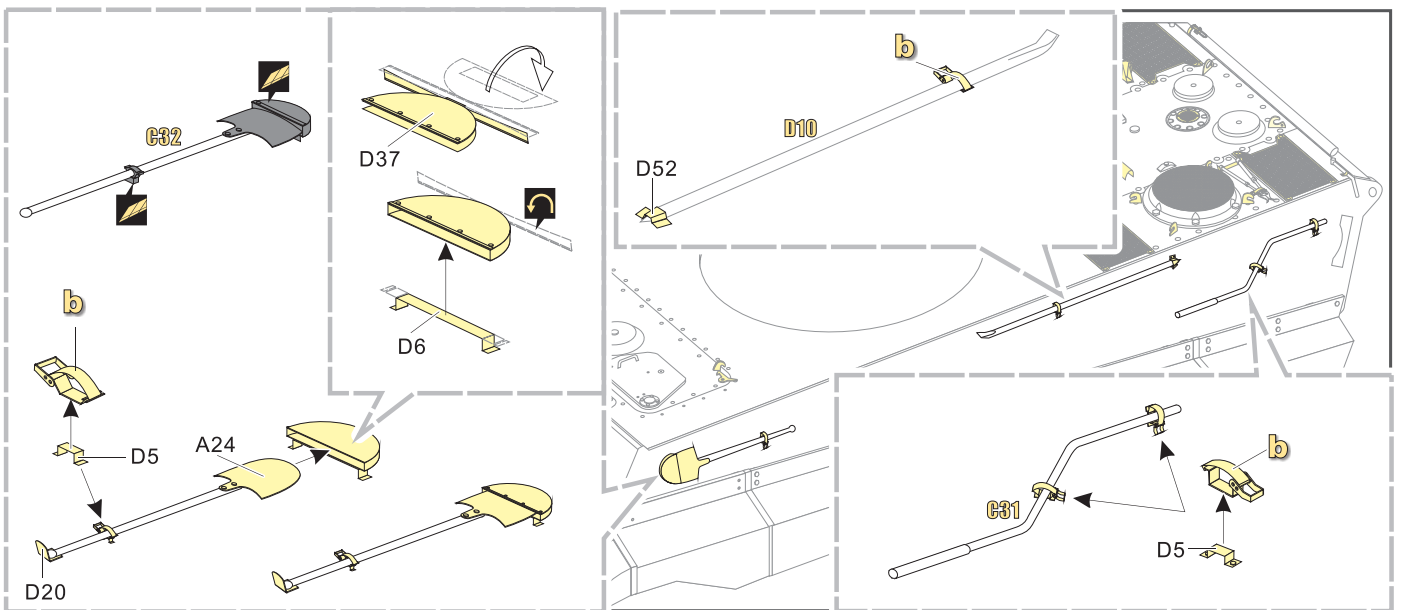
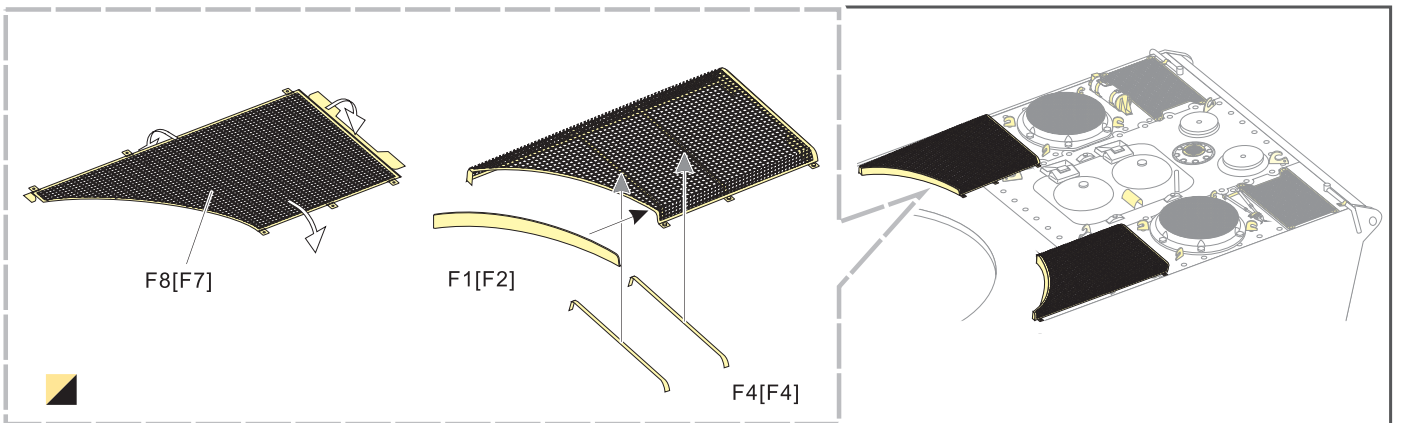
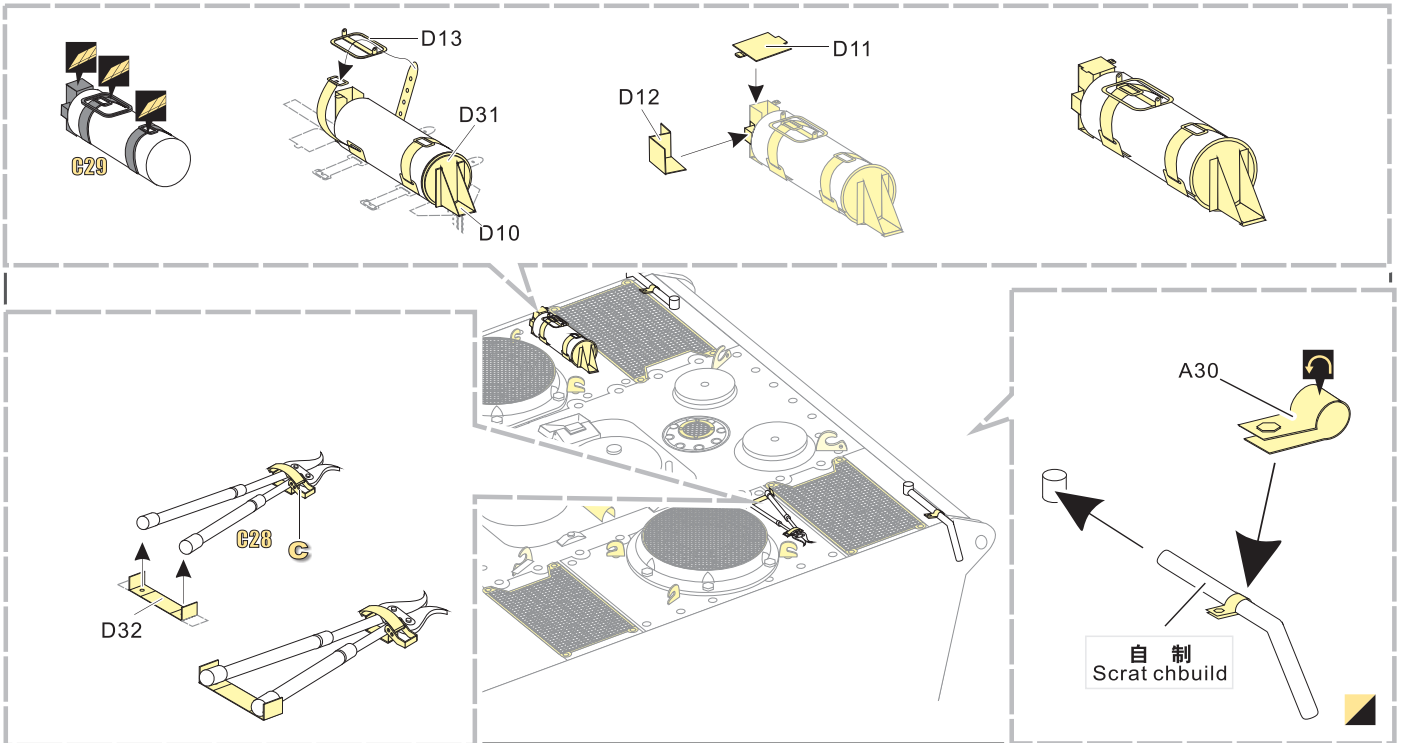
0.5mmx15mm



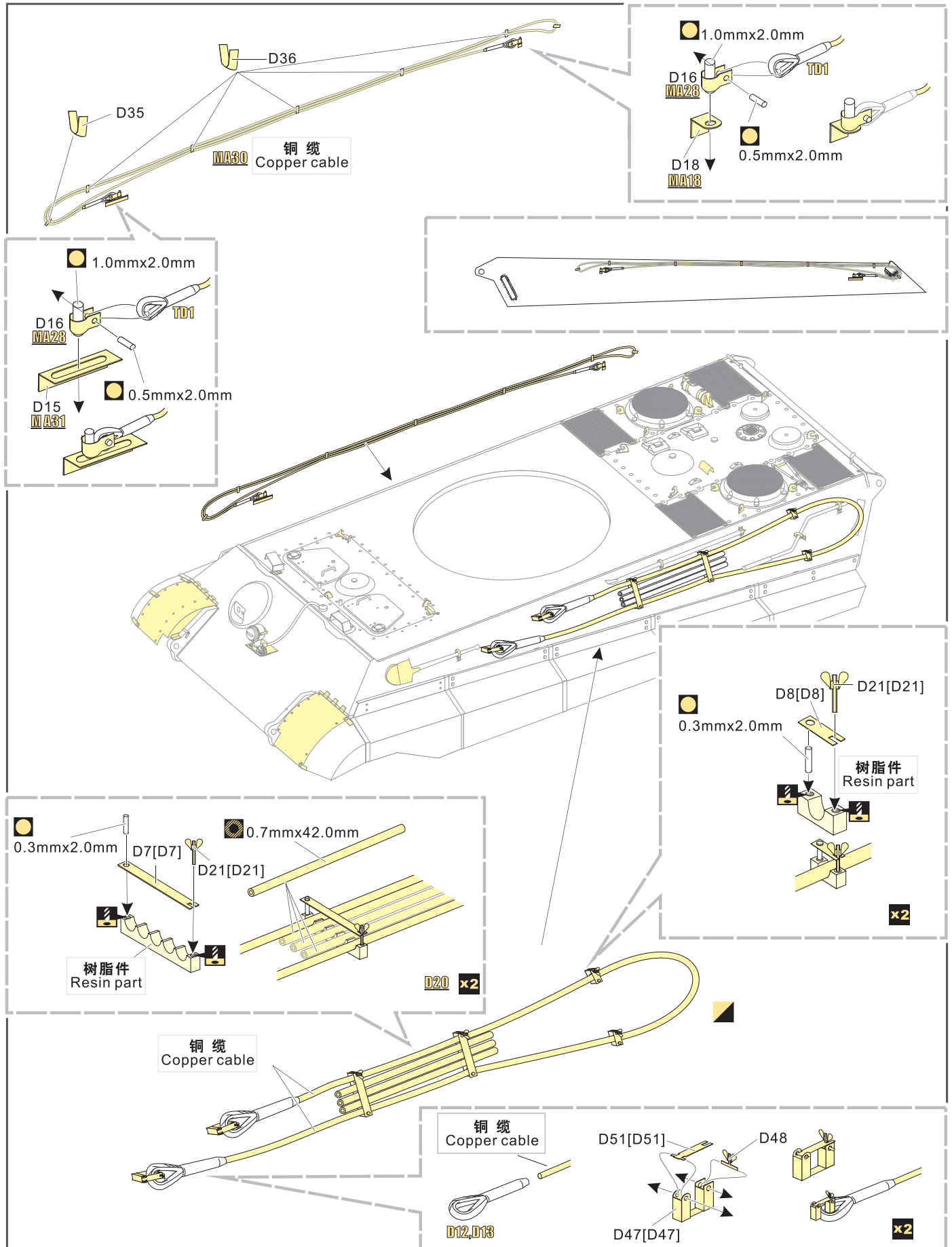
1/35 MILITARY MINIATURE VEHICLE UPGRADESERIES PE35234



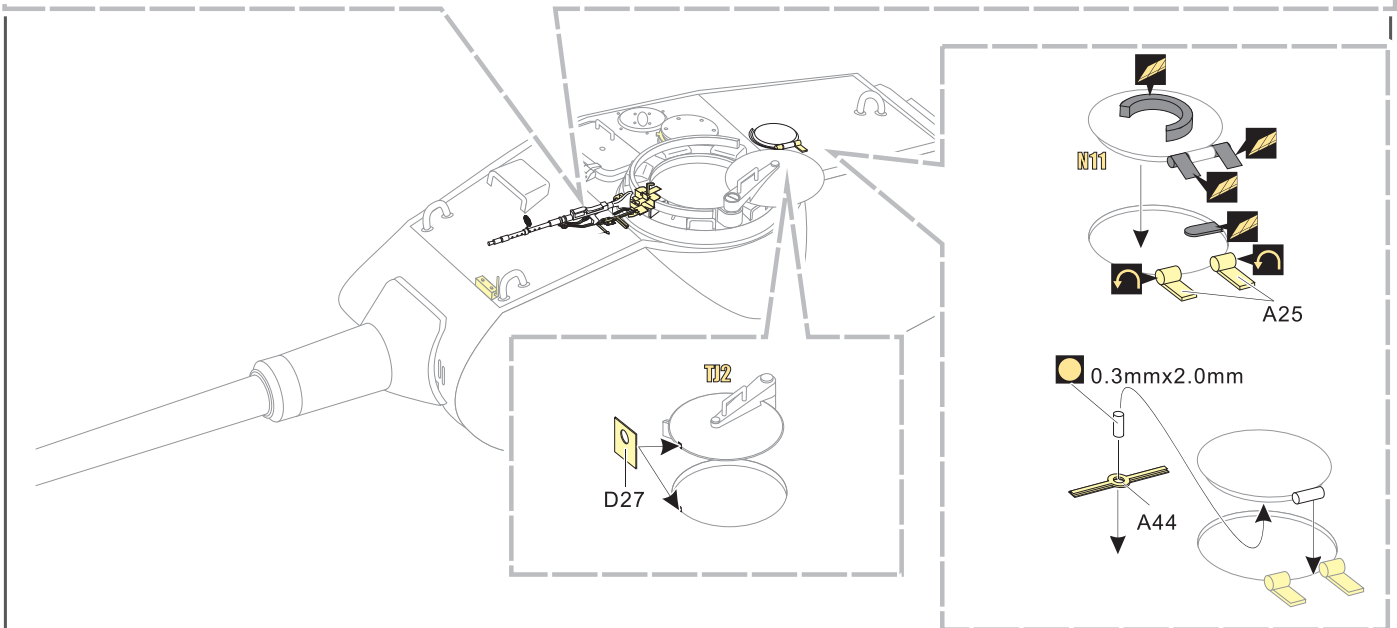
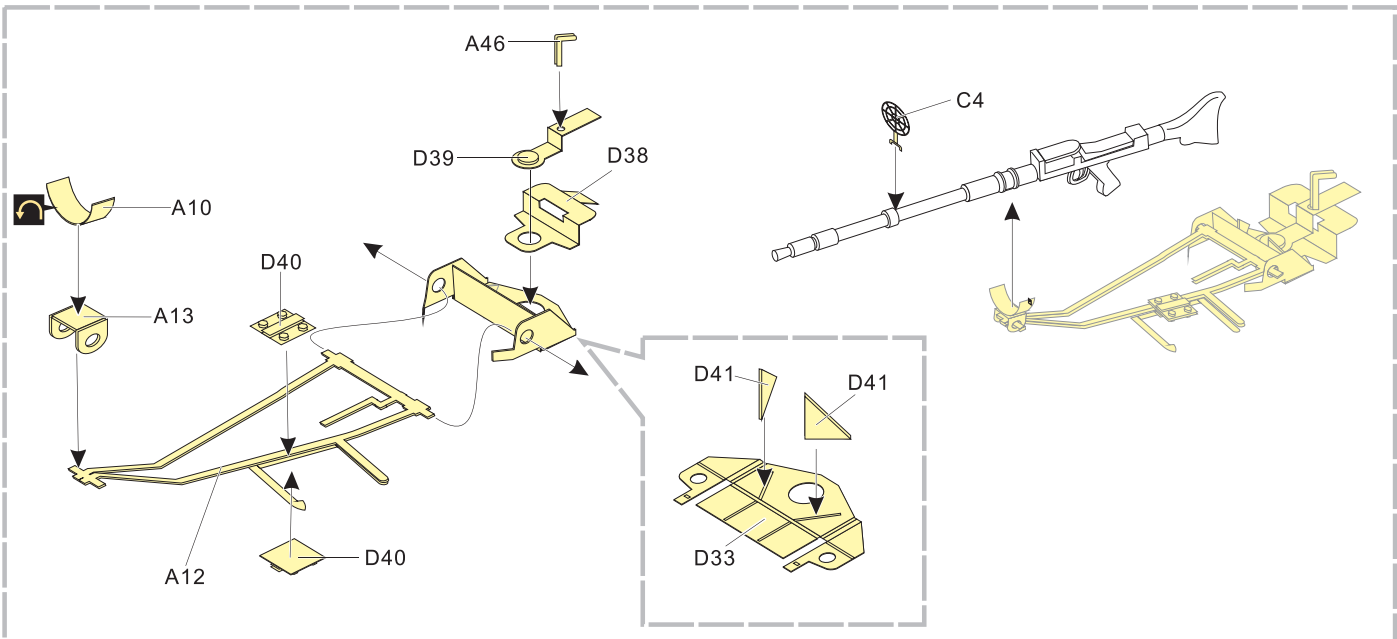
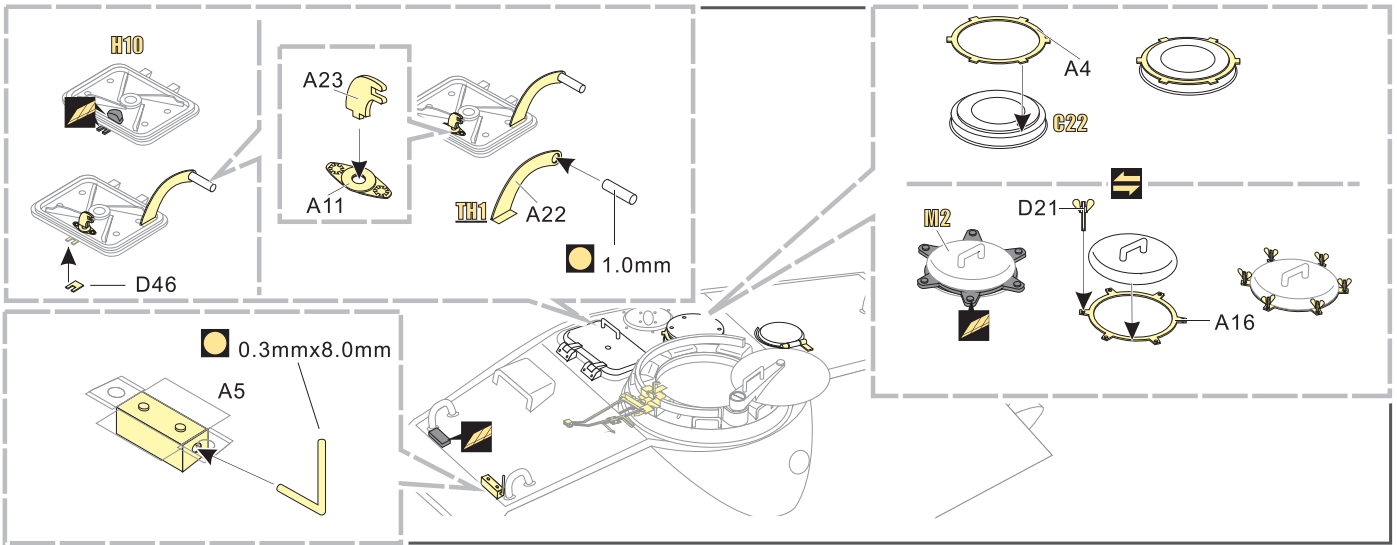
1/35 MILITARY MINIATURE VEHICLE UPGRADESERIES PE35234



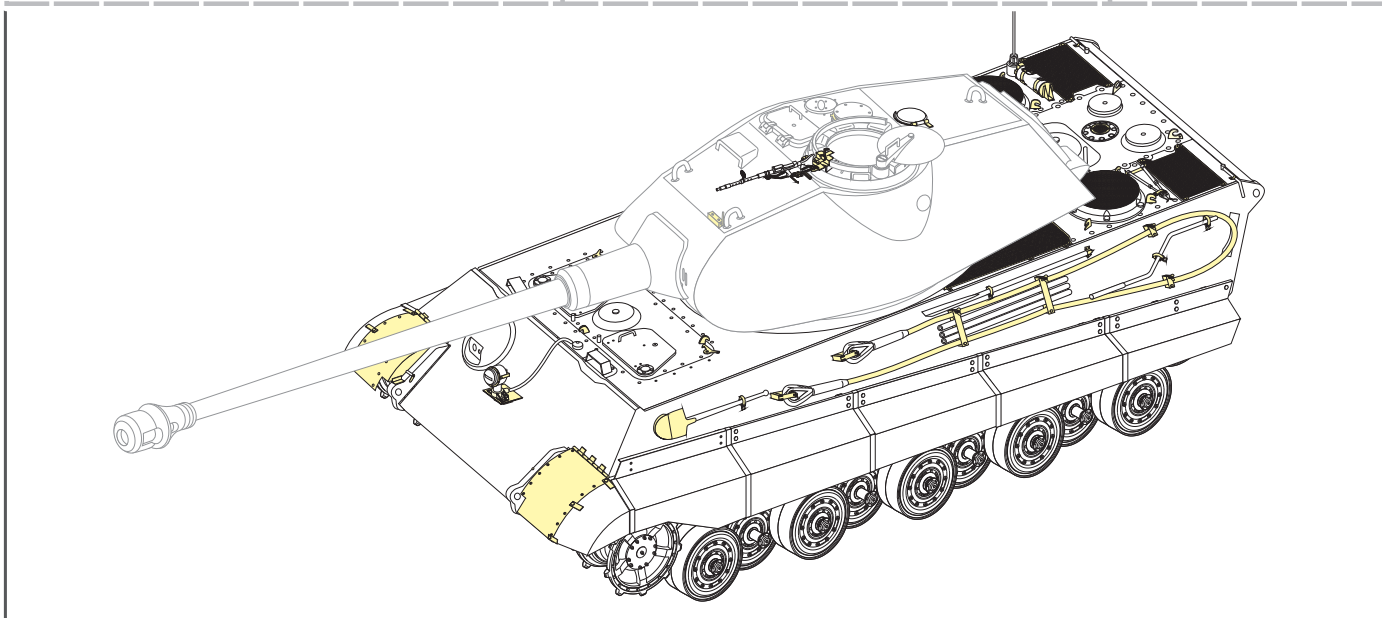
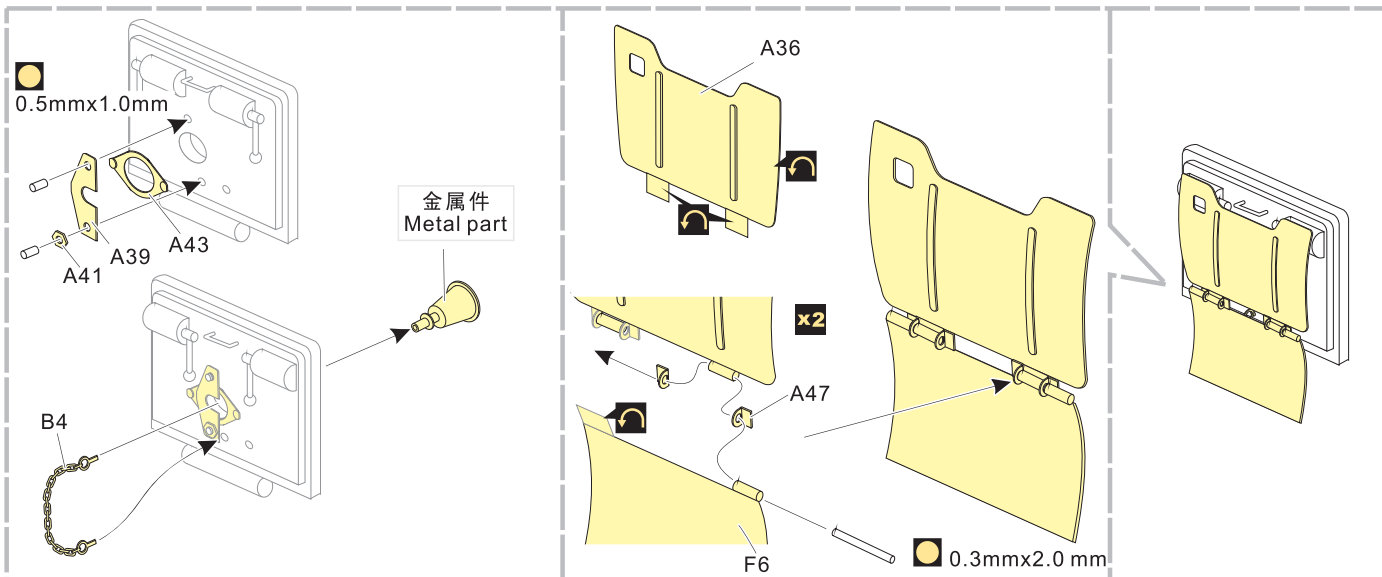
1/35 MILITARY MINIATURE VEHICLE UPGRADESERIES PE35234



1/35 MILITARY MINIATURE VEHICLE UPGRADESERIES PE35234

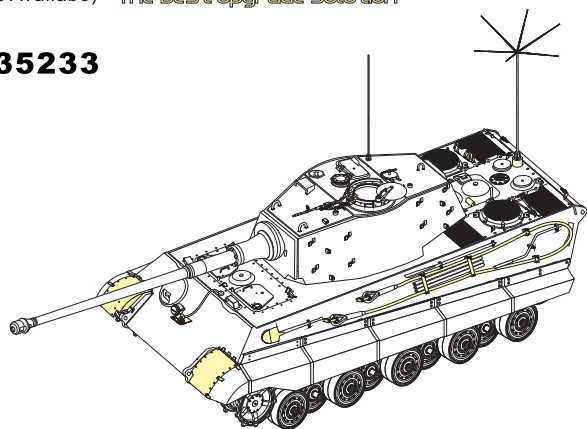


1/35 MILITARY MINIATURE VEHICLE UPGRADESERIES PE35234



更多选择尽在 **VOYAGERMODEL®**
(Also Available) The Best Upgrade Solution

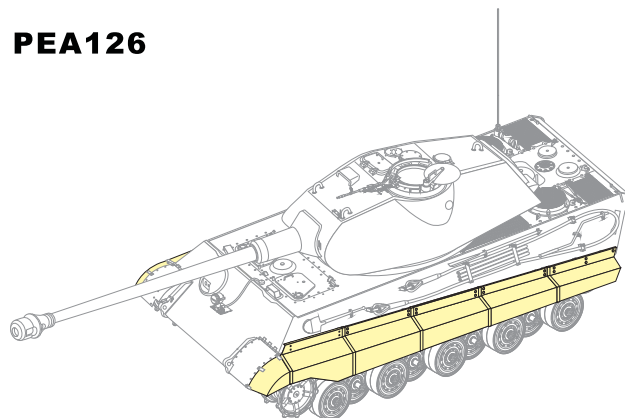
PE35233



**WWII German King Tiger
(Hensehel Turret)**
二战德军虎王坦克(亨舍尔型)改造件

更多选择尽在 **VOYAGERMODEL®**
(Also Available) The Best Upgrade Solution

PEA126



WWII German King Tiger Schurzen
二战德军虎王坦克侧裙改造件