

# PV-1 Ventura II



The PV-1 was used throughout WWII as a very effective long-range maritime patrol bomber. The PV-1 was offered to US allies through the “lend-lease” assistance program that provided needed war material to key allies including British Commonwealth member nations Canada and South Africa.

This new 1/72 scale Minicraft PV-1 features RAF mandated changes to the cockpit glazing, distinctive turret, and optional markings representing aircraft from the RCAF (Canadian Air Force)

Marking included in this kit are:

RAF, No. 21 Sqn, 1943

RCAF, No. 1 Air Armament School, 1952

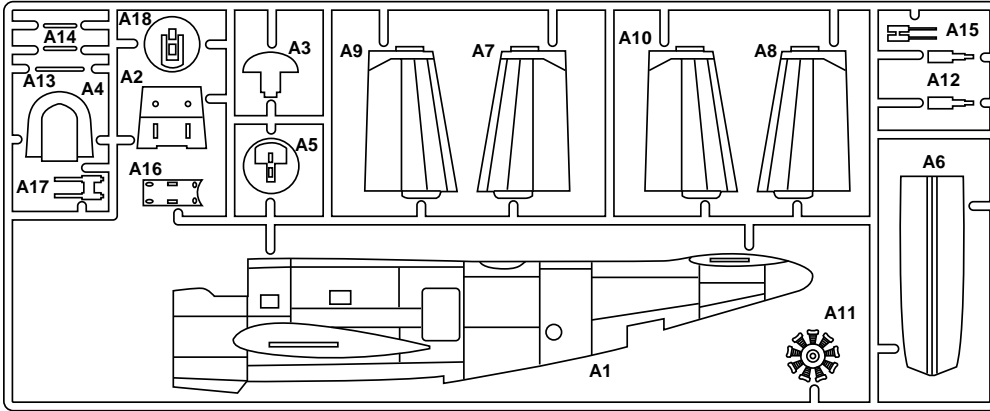
Minicraft Models, 1501 Commerce Drive, Elgin IL 60123 USA

[www.minicraftmodels.com](http://www.minicraftmodels.com)

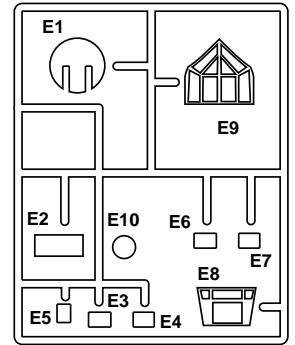
Printed in China

# PARTS LOCATING DIAGRAM

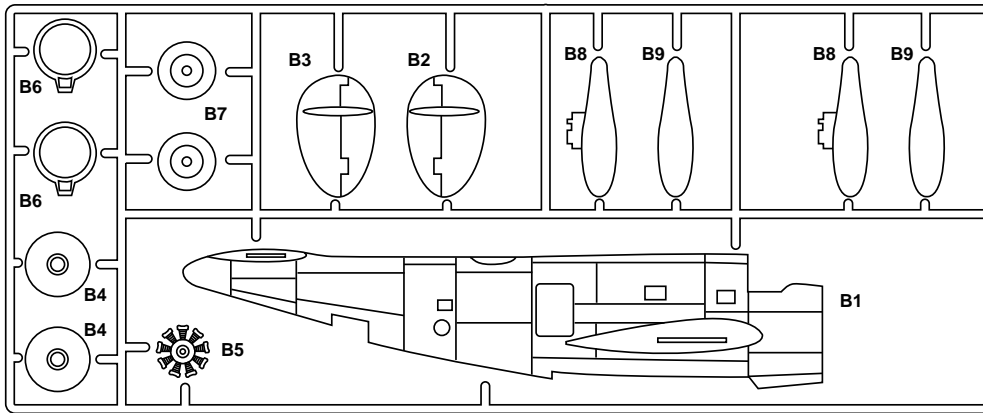
## SPRUE A



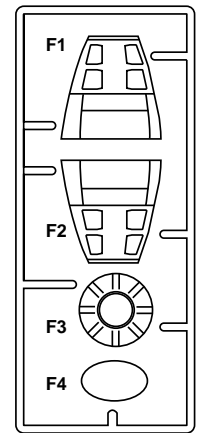
## CLEAR SPRUE E



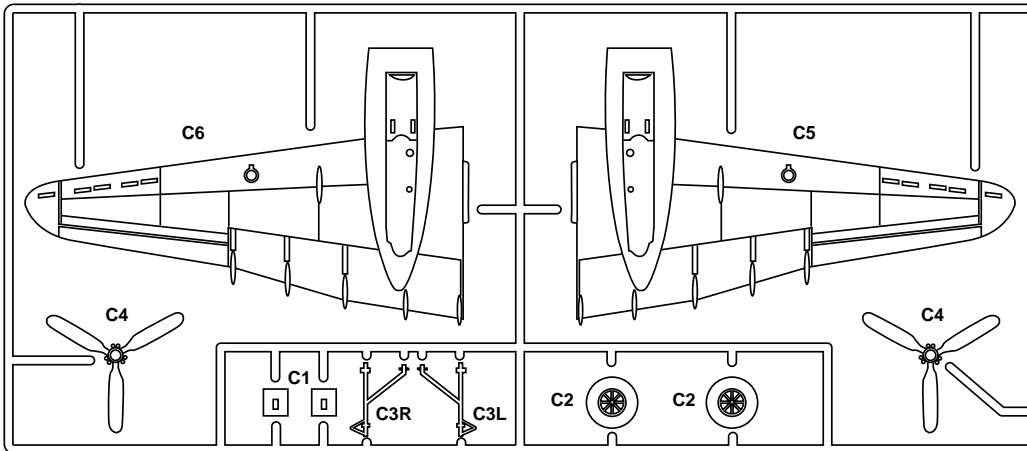
## SPRUE B



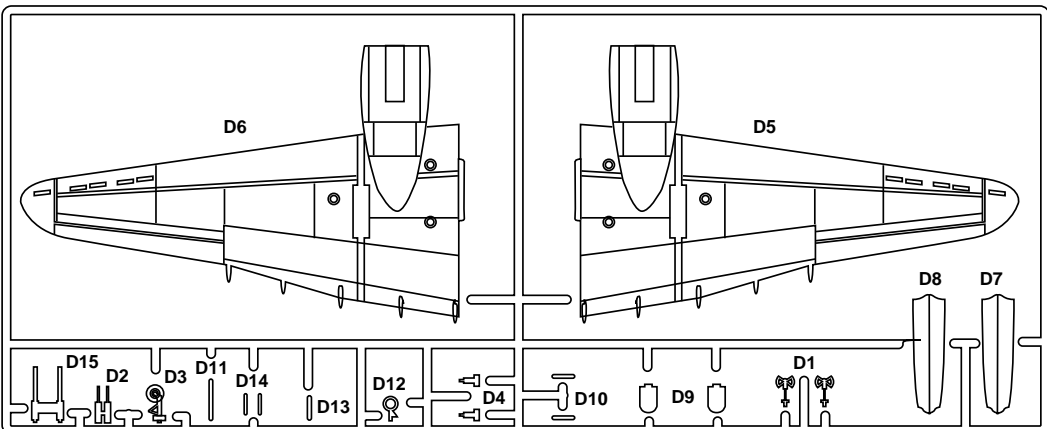
## CLEAR SPRUES F



## SPRUE C



## SPRUE D





Cement  
Coller  
Kleben  
Pegar  
Incollare  
Colar  
Kleven



DO NOT Cement  
Ne pas Coller  
Nicht Kleben  
No Pegar  
Non Incollare  
Nao Colar  
Niet Kleven



Cut away  
Couper  
Scheiden  
Cortar  
Tagliere  
Cortar  
Snijden



Optional parts  
Choix  
Auswahlmöglichkeit  
Eleccion  
Scelta  
Opaco  
Keuze



3

Repeat operation  
Rzpeeter l' opzration  
Vorgang wiederholen  
Repitir la operacion  
Ripetere  
Repitir a operacao  
Herhalen

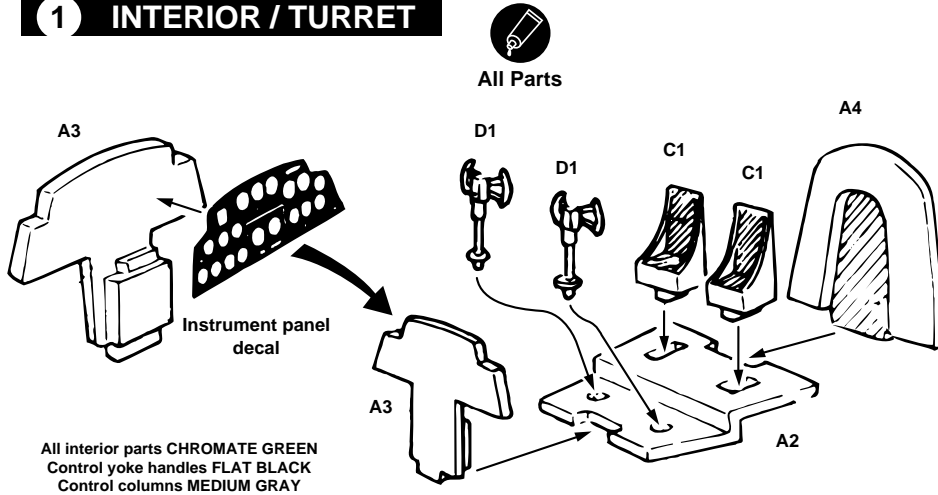


Symmetrical assembly



Drill hole

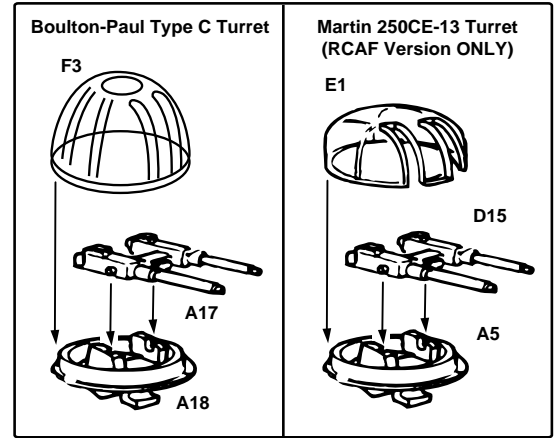
## 1 INTERIOR / TURRET



All Parts

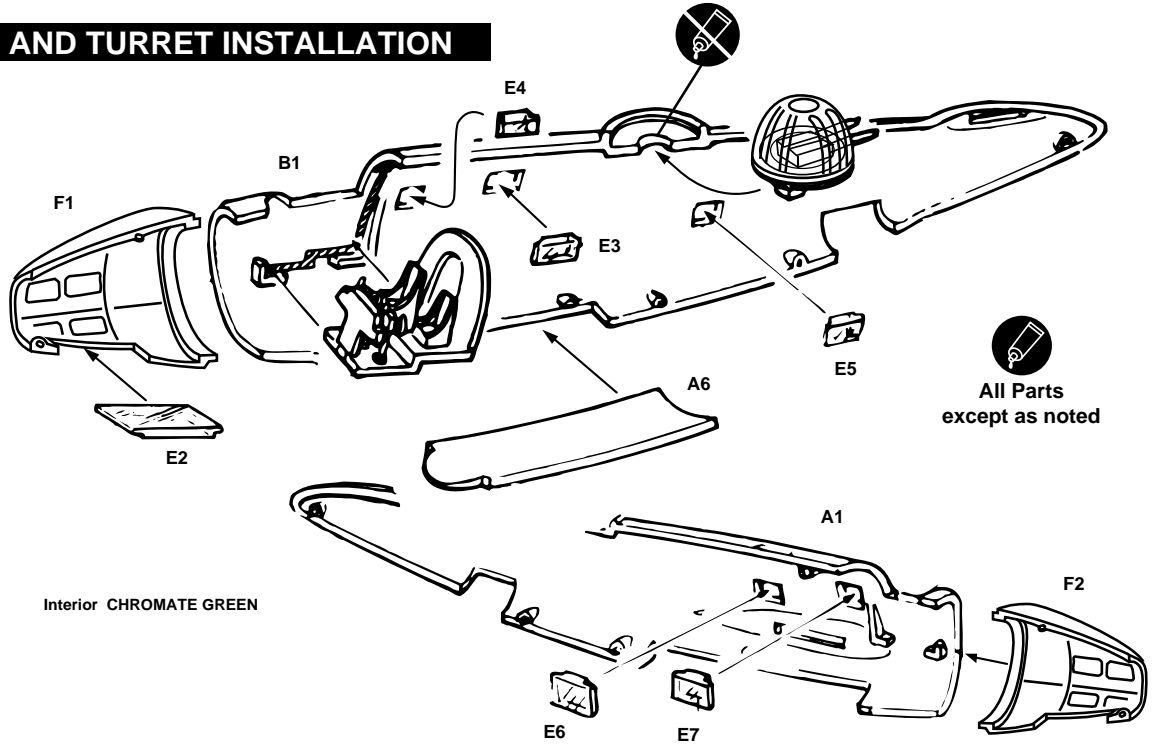
NOTE  
Parts for two different turret styles are included.  
RCAF Venturas carried the Martin turret.

Assembly drawings show the Boulton-Paul turret in place.



Turret interior CHROMATE GREEN  
Guns GUNMETAL

## 2 COCKPIT AND TURRET INSTALLATION

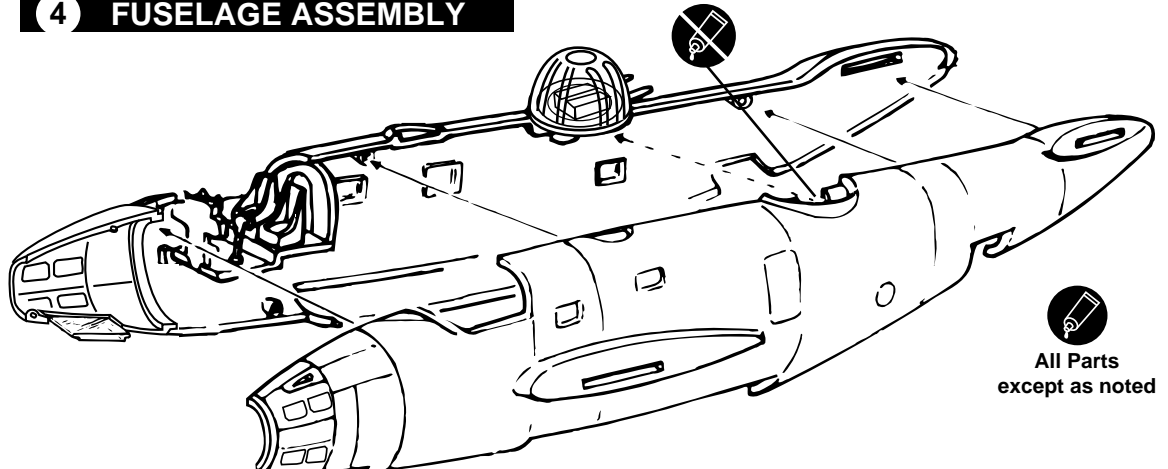
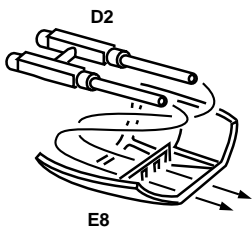


All Parts  
except as noted

## 3 BELLY GUN

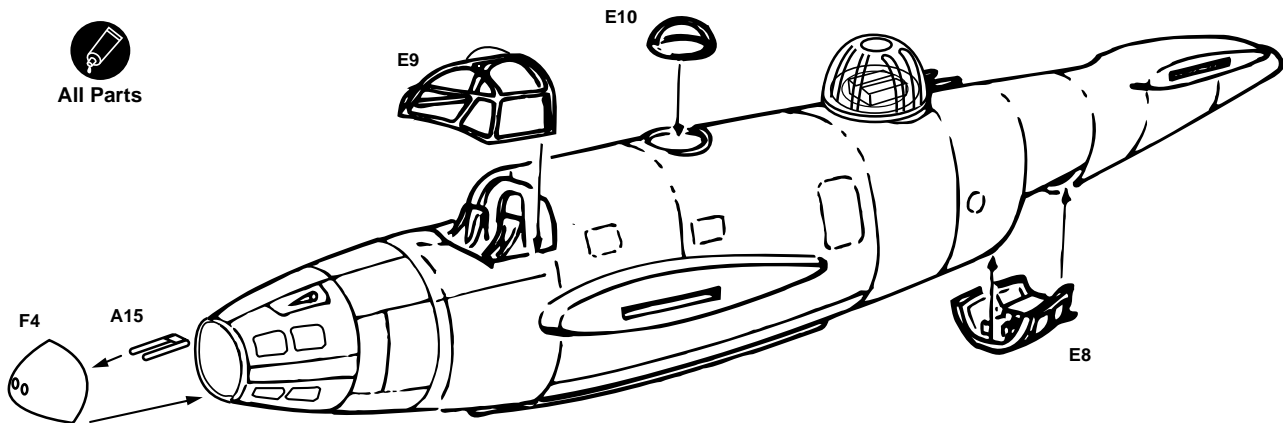
## 4 FUSELAGE ASSEMBLY

Machine guns GUNMETAL

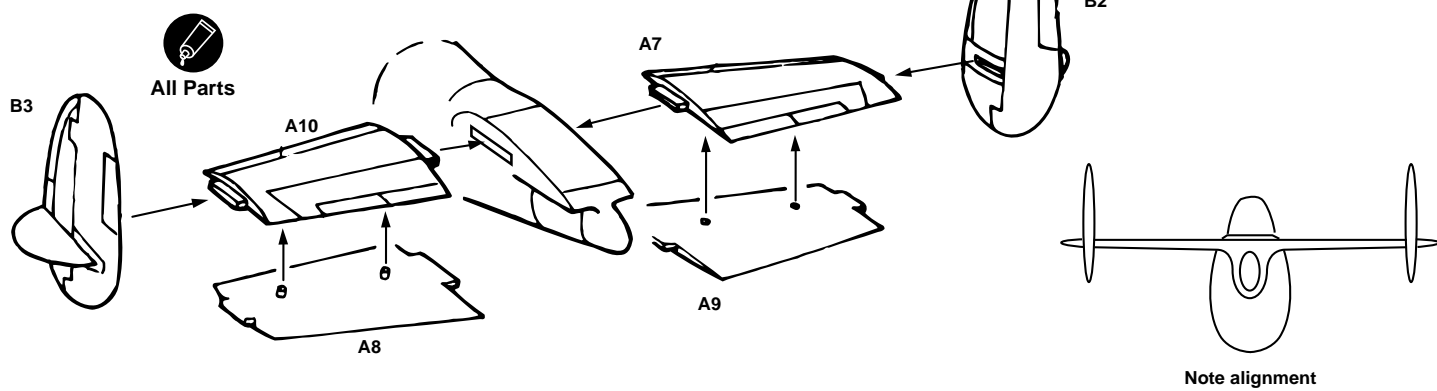


All Parts  
except as noted

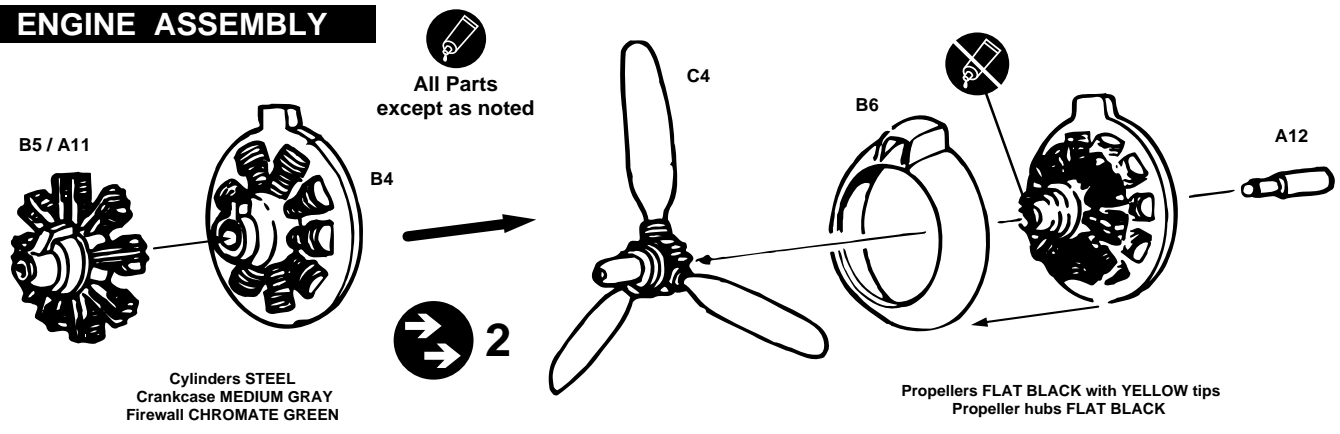
## 5 CANOPY INSTALLATION



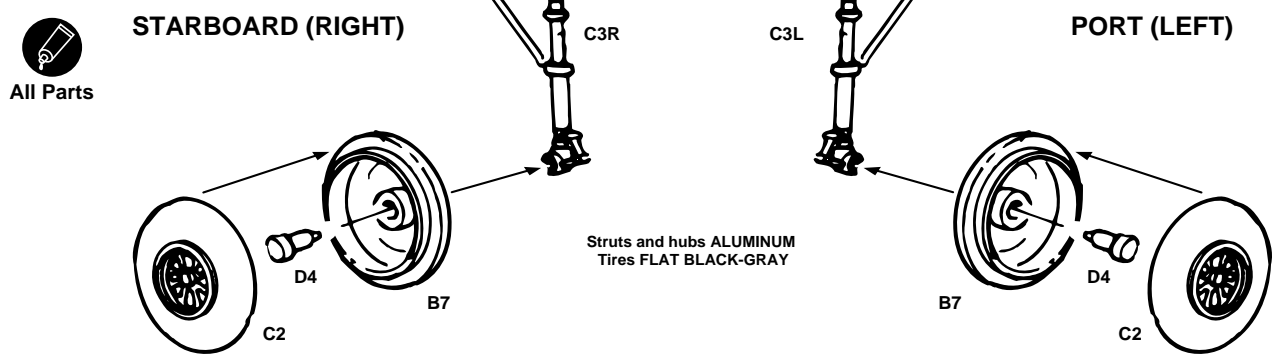
## 6 TAIL ASSEMBLY



## 7 ENGINE ASSEMBLY



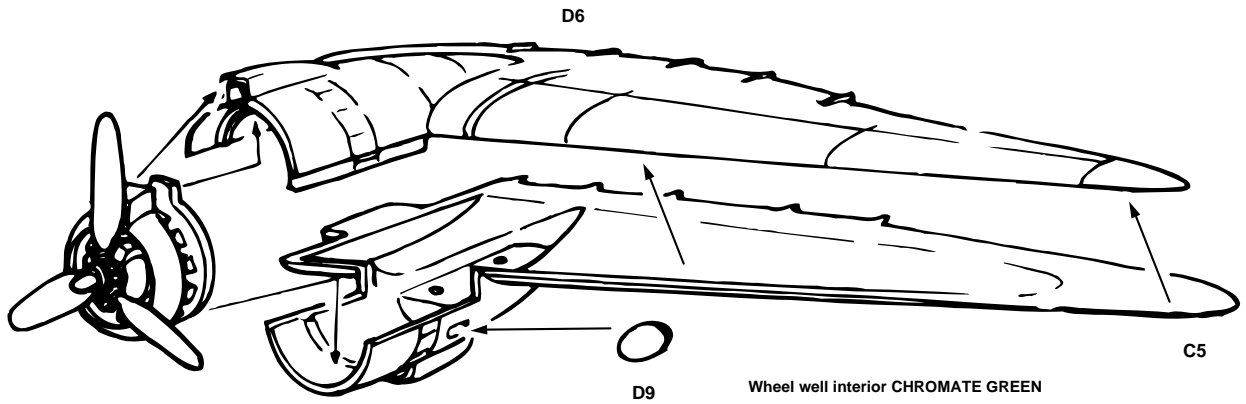
## 8 MAIN LANDING GEAR



## 9 PORT (LEFT) WING ASSEMBLY



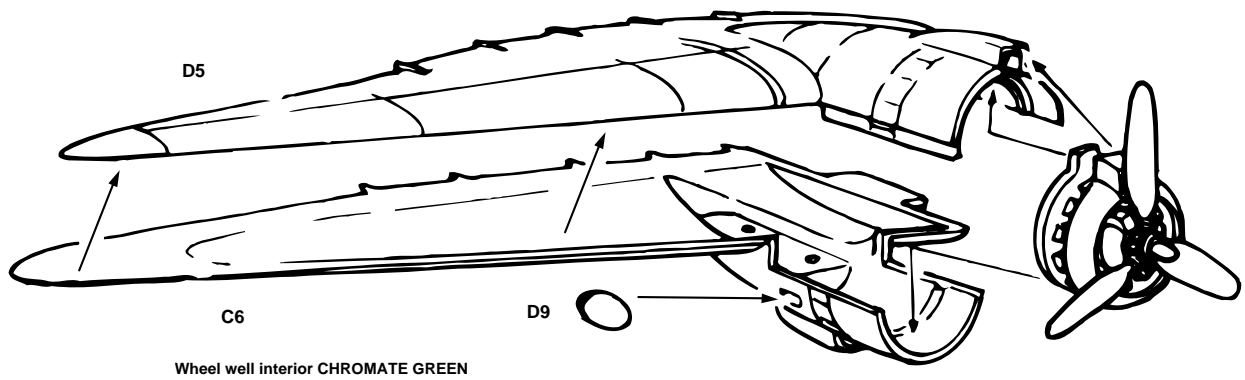
All Parts



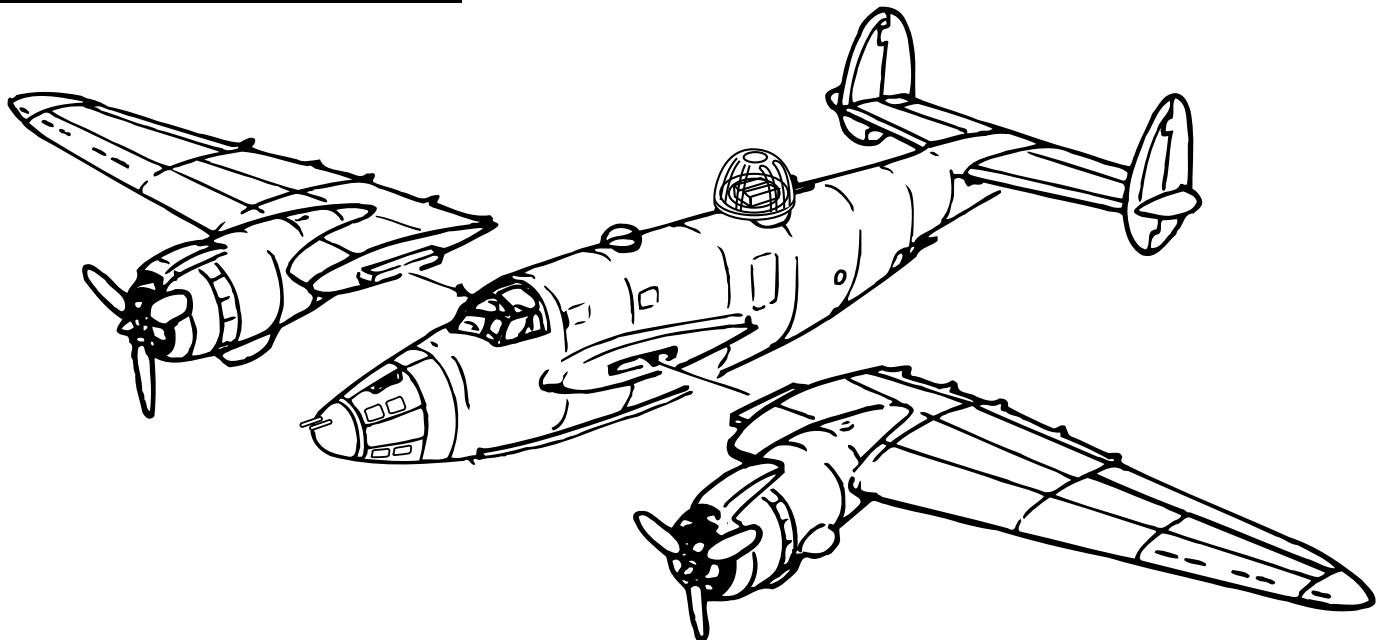
## 10 STARBOARD (RIGHT) WING ASSEMBLY



All Parts



## 11 WING INSTALLATION



# 12 LANDING GEAR INSTALLATION

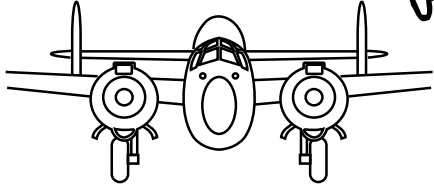
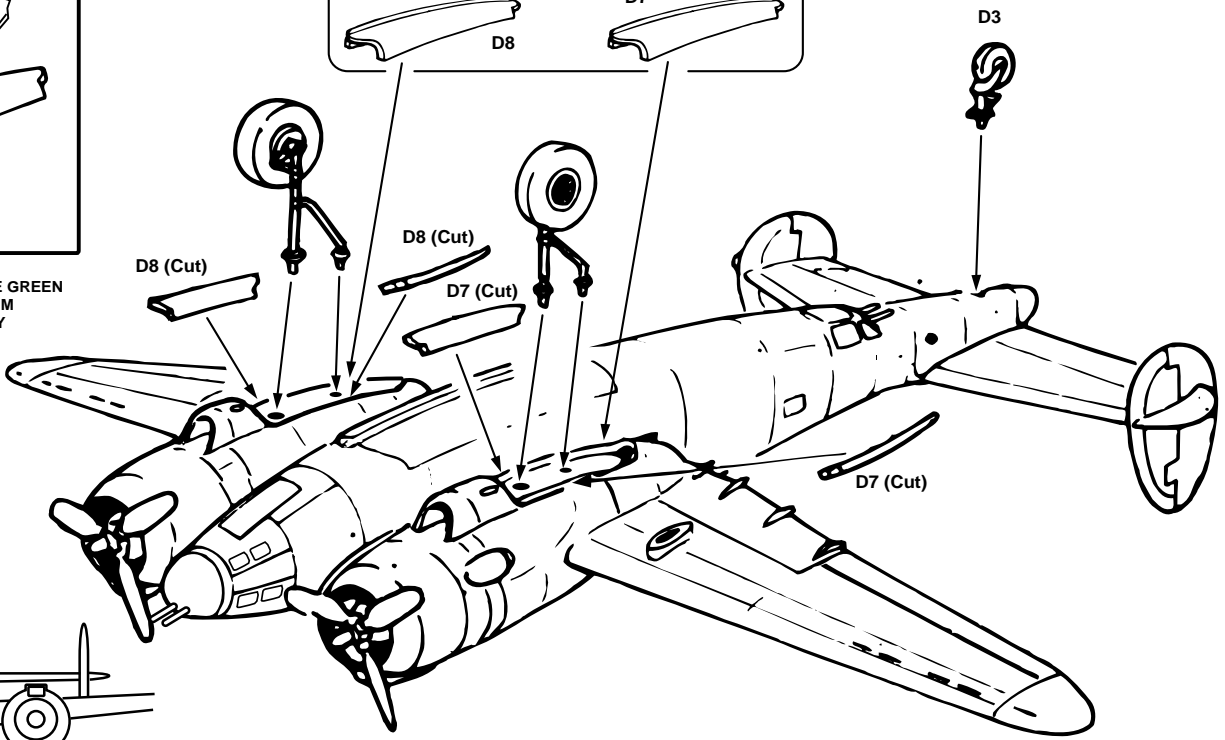
**EXTENDED MAIN GEAR**

Cut parts D7/D8 in half as shown

**RETRACTED MAIN GEAR OPTION**

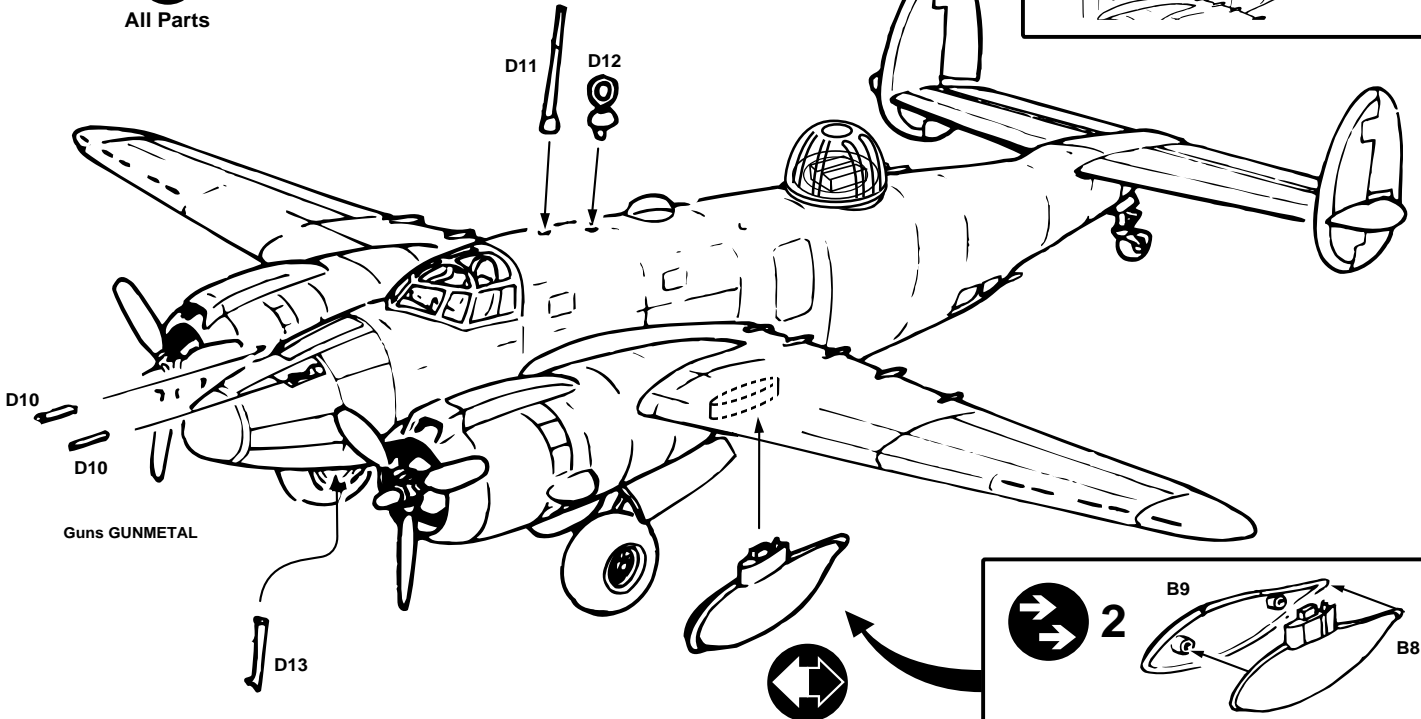
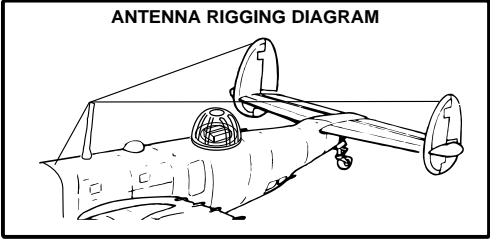
D8 D7

Gear door interiors CHROMATE GREEN  
Tailwheel strut ALUMINUM  
Tire FLAT BLACK-GRAY



Note alignment

# 13 FINAL ASSEMBLY

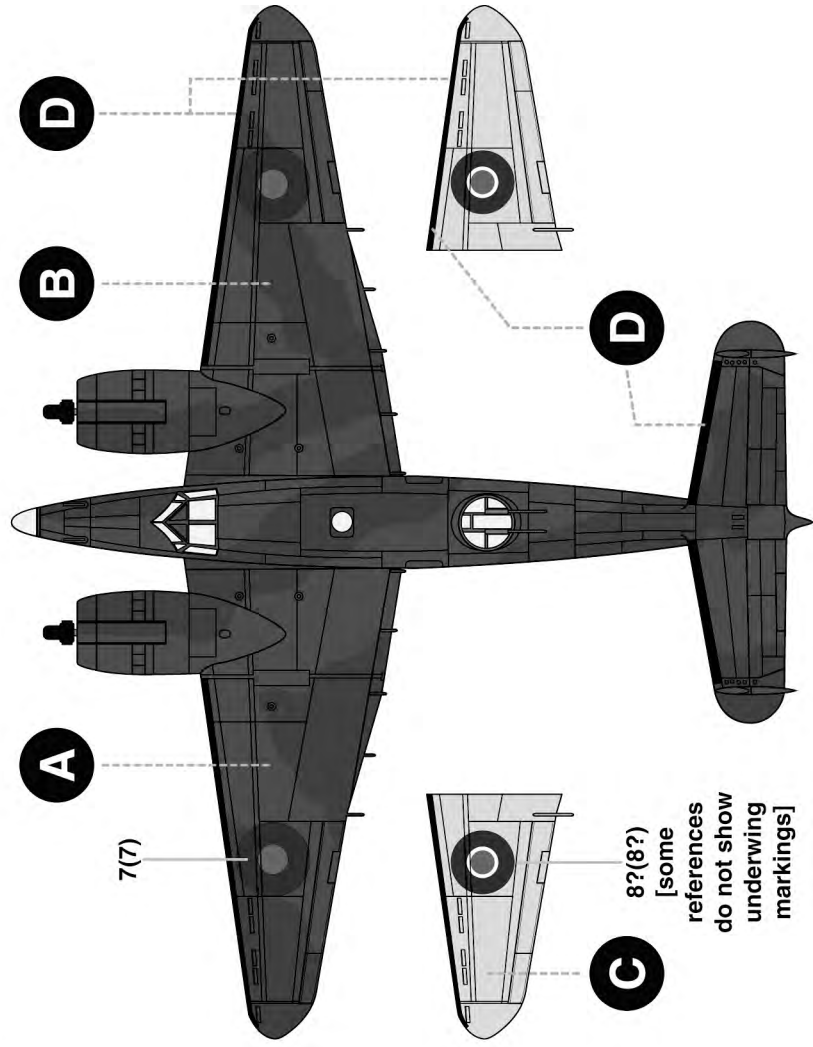
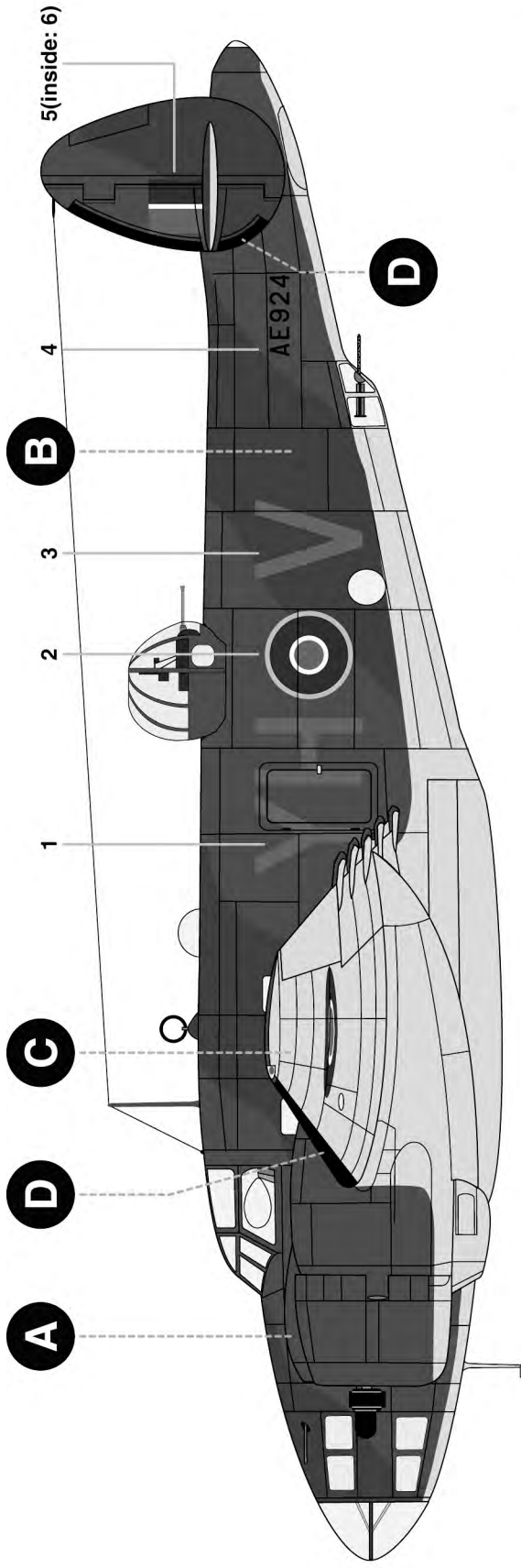


Guns GUNMETAL

**2**

B9 B8

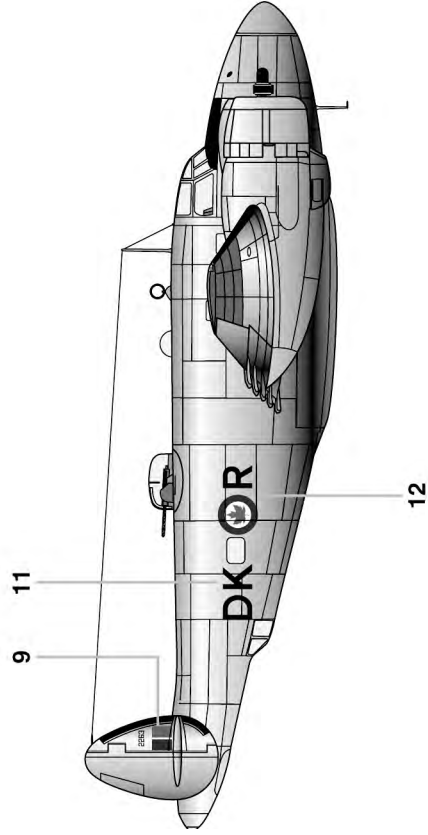
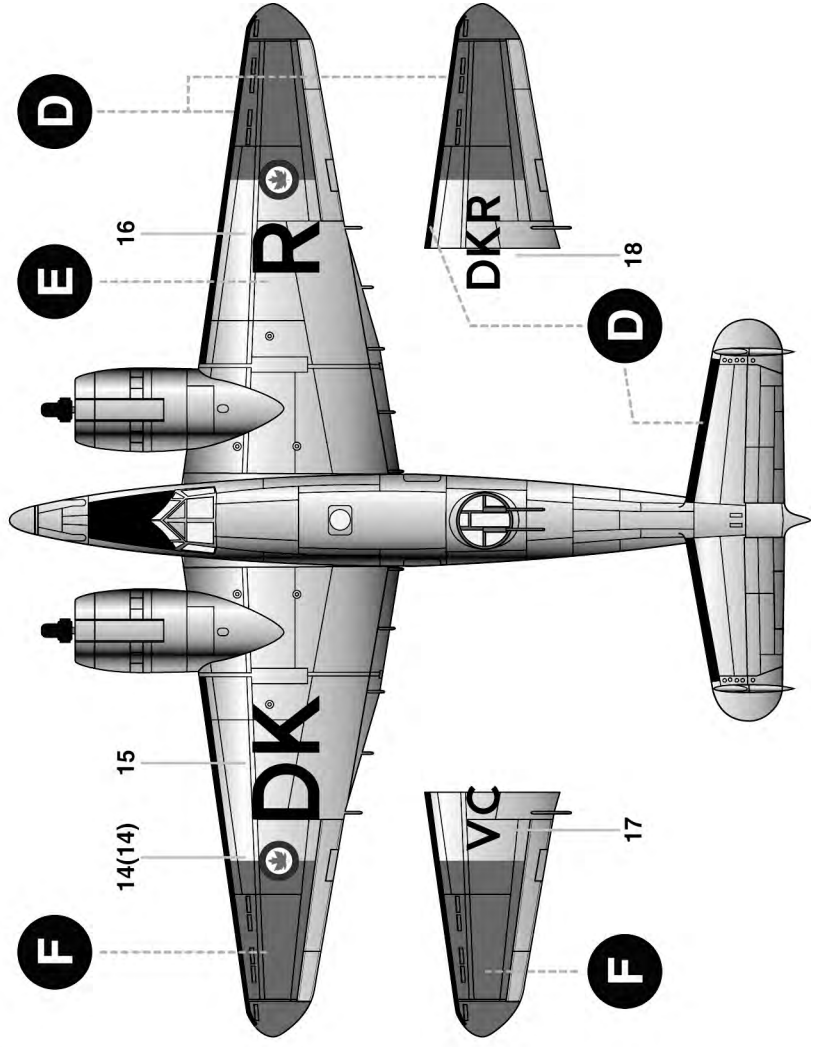
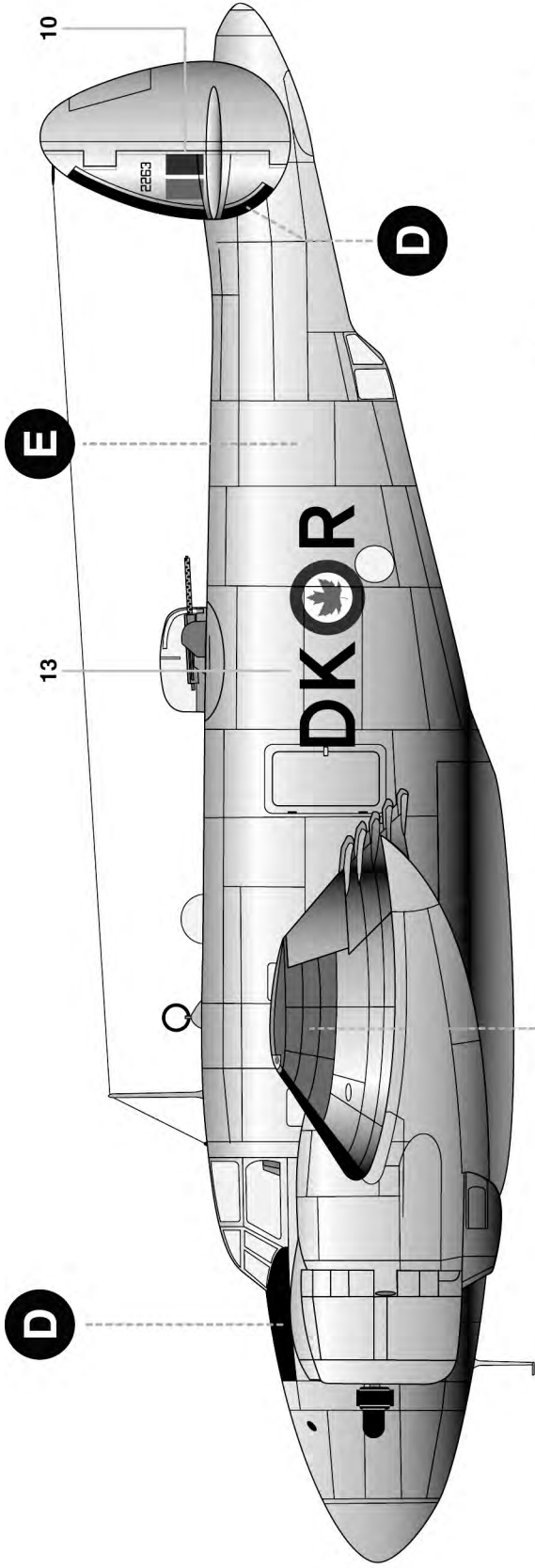
# RAF, No. 21 Sqn, 1943



## PAINTS

- A RAF Dark Earth (ModelMaster 2054, Acryl 4846)
- B RAF Dark Green (ModelMaster 2060, Acryl 4849)
- C RAF Sky Type S (ModelMaster 2049, Acryl 4840)
- D Black (ModelMaster 1749, Acryl 4768)
- E Aluminum (ModelMaster 1781, Acryl 4677)
- F Canadian Red 9-2 (ModelMaster 2718, Acryl 4632)

RCAF, No. 1 Air Armament School, 1952





Your Minicraft model includes high-quality waterslide decals. These decals adhere best to a glossy surface; and it is recommended that you apply a clear gloss coat over your painted model.

Use a sharp scissors or knife to cut individual decals from the carrier sheet. Do not cut into the clear film surrounding the individual decals.

\* It is recommended that you apply one decal at a time.

\* Place the decal section in warm water, when first inserted in the water your decal will curl, after approximately ten seconds the decal will uncurl. Remove from water and lay on a paper towel. After approximately 10 - 20 seconds the decal will slide freely from the backing paper. Use a small brush to help slide the decal from the backing paper and into position on the model. Carefully blot excess water from the decal, using care not to move the decal or tear it.

\* If you choose to use a setting solution, apply a thin coat over the decal following the manufacturer's instruction.

\* Allow the decal to dry overnight. Wash any adhesive residue off the model with a small amount of clean water and dry thoroughly.

\* Apply clear gloss, matte or flat coat to seal decals following the instructions from the manufacturer.



*Legends in the making™*

Visit our Website-  
[www.minicraftmodels.com](http://www.minicraftmodels.com)

Minicraft Models  
1501 Commerce Drive  
Elgin, IL 60123

Phone: 847-429-9676