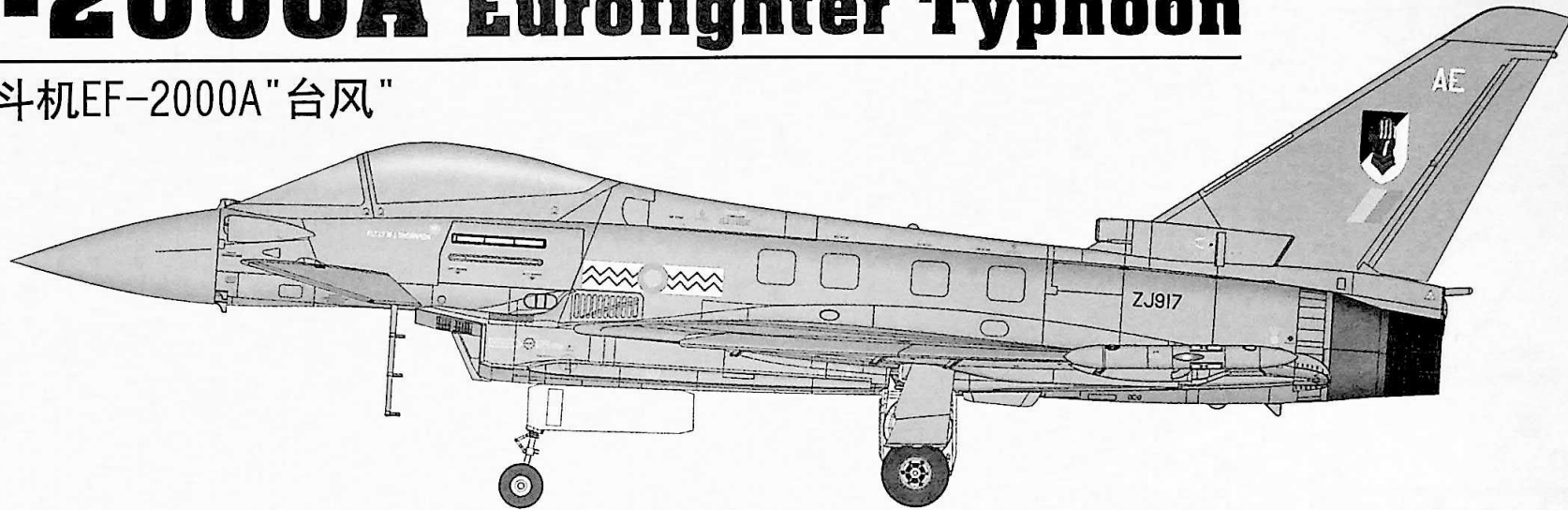


# EF-2000A Eurofighter Typhoon

欧洲战斗机EF-2000A“台风”



## READ BEFORE ASSEMBLY:

- Study and understand these instructions thoroughly before beginning assembly
- When needed, remove photo-etch parts carefully using a modeling knife or photo etch sprue cutter, being careful not to damage or lose small parts.
- Take extra care in handling photo etch parts in order to avoid injury
- Apply instant cement sparingly to photo etch parts where instructed

- Tools recommended(not included in kit):Plastic and instant cements,sprue cutters,long nose pliers,modeling knife, small files, tweezers, pin vise & scissors. Soft cloth and sandpaper will also assist in construction
- Glue and paint are not included in the kit. Use plastic cement and hobby paints only. Color guide for purchasing paint is included in the kit.

## 装配之前仔细阅读

- 小心用模型锉刀锉平所有零件表面的注射浇口。
- 小心用刀片切下蚀刻片零件，不要遗失小零件。
- 用强力快干胶水粘合蚀刻片零件和金属轴。过量的快干胶水使用可能导致可动零件会粘住，小心涂胶。
- 取蚀刻片时应特别注意安全，防止利边划伤手指。
- 某些零件表面需贴水贴纸，请选择在装配的同时进行。
- 推荐模型工具(自备)：胶水，水口剪刀，长咀钳，刀片，锉刀，镊子钳，钻，剪刀，瞬间快干胶。
- 软布同砂纸同时也应该是必备工具。
- 请使用塑料胶水和油漆，模型内不含。

## 水贴纸的使用:

1. 从水贴纸上剪下印花;
2. 将印花放入温水中浸10秒, 然后放在干净布上。
3. 拿着印花纸将印花移到模型上;
4. 手指蘸水将印花移到适当的位置;
5. 用软布轻压印花直至水干, 气泡消失。

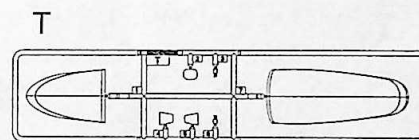
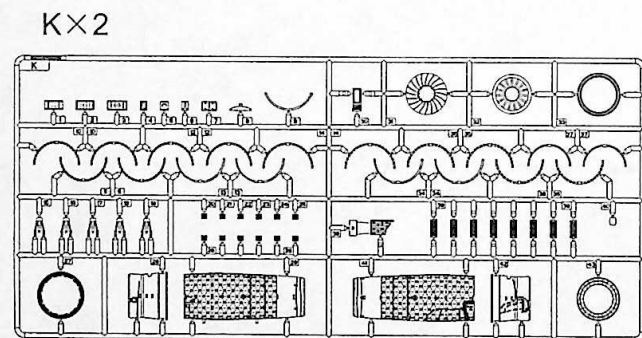
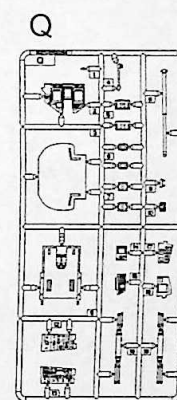
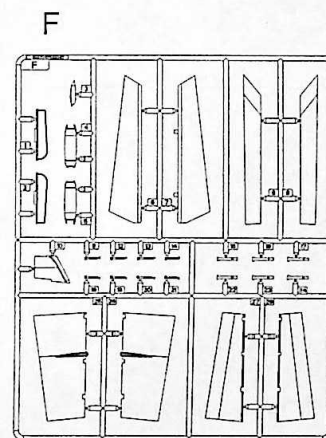
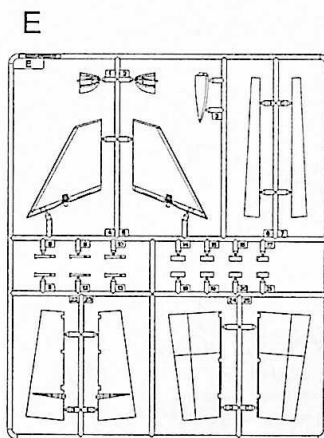
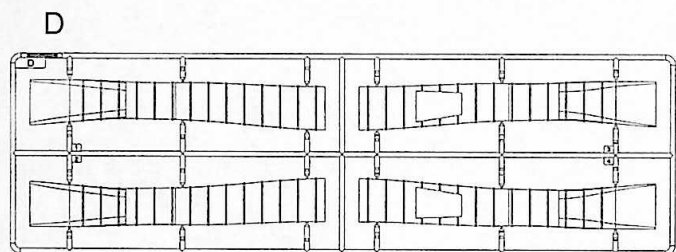
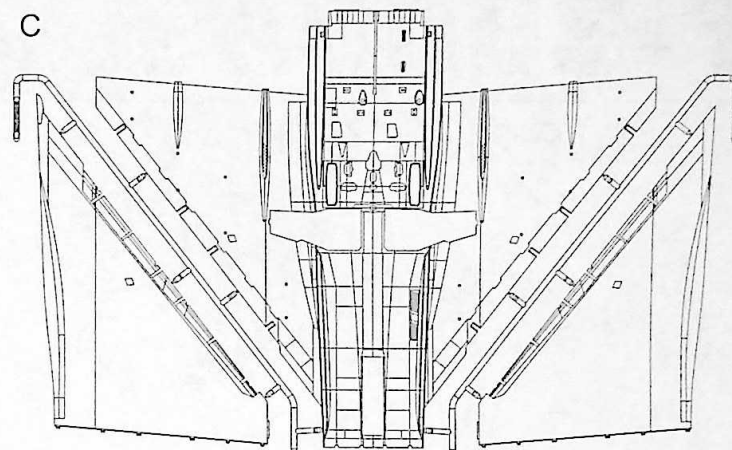
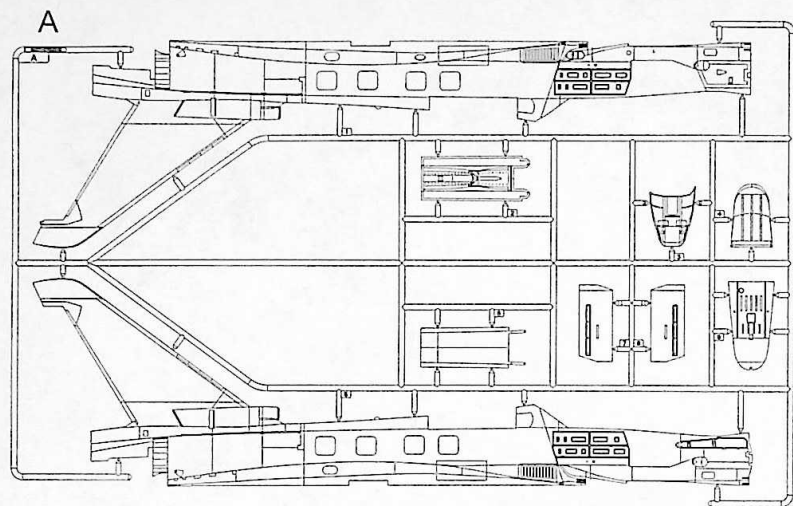
## DECAL APPLICATION:

1. Cut decals from sheet as needed
2. Dip the decal in warm water for about 10 seconds and then place on soft clean cloth.
3. Hold the decal backing sheet edge and gently slide the decal onto the model in its proper position.

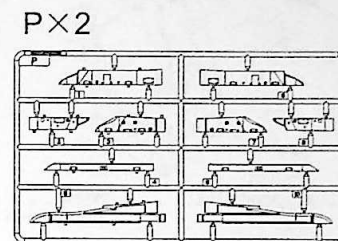
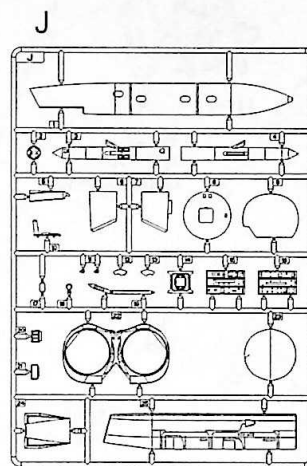
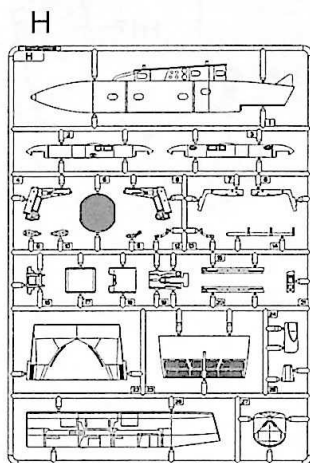
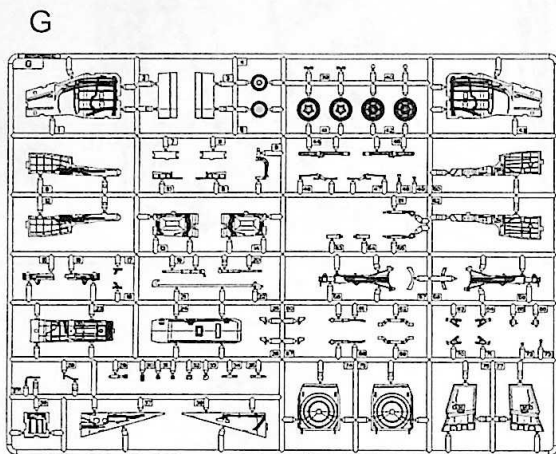
4. While still wet,decal can be adjusted for better fit on model by dampening it gently with your finger.
5. When placed in the proper position,gently press decal down with a soft cloth until excess water and air bubbles are gone.
6. Allow decal to dry completely before handling model



部品图 Parts

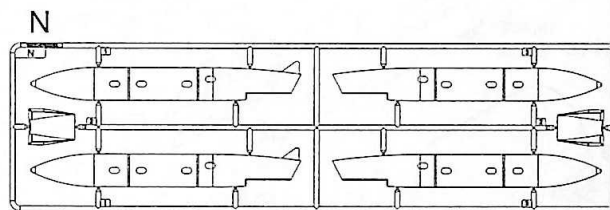
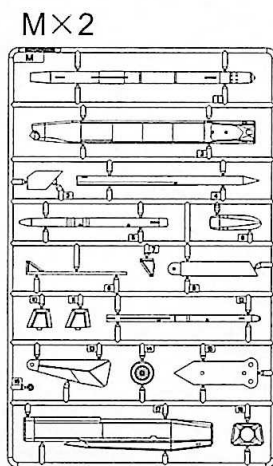
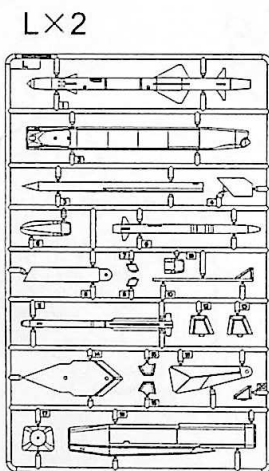


# 部品图 Parts



《主轮胎》 X 2  
Main tyre

《前轮胎》  
Nose tyre



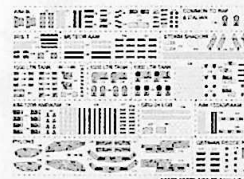
蚀刻片  
Photo etched parts (PE)



《水贴纸》  
Decal (A)



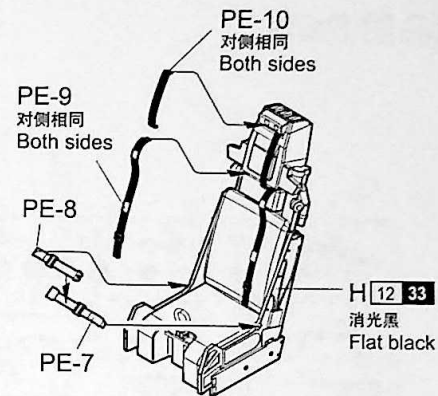
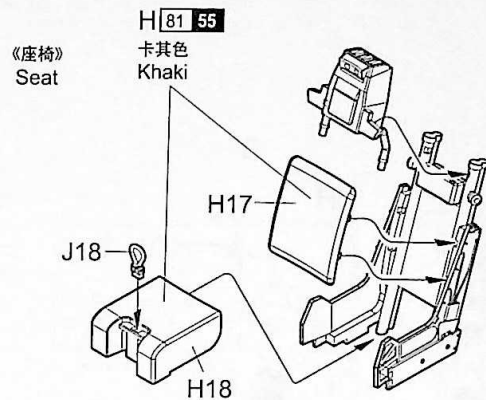
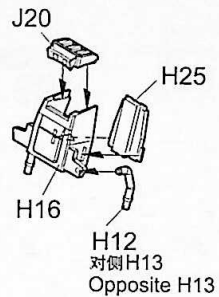
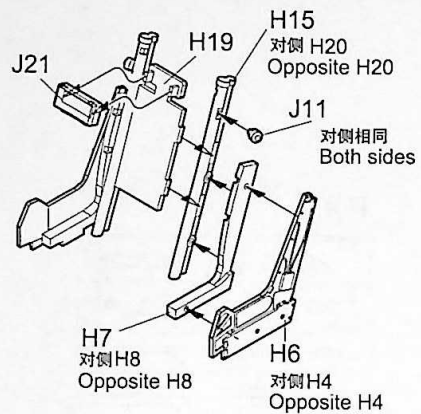
《水贴纸》  
Decal (C)



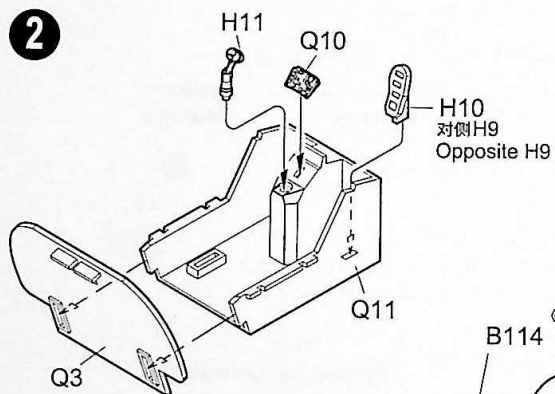
《水贴纸》  
Decal (B)



1



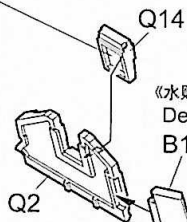
2



《座舱》  
Cockpit

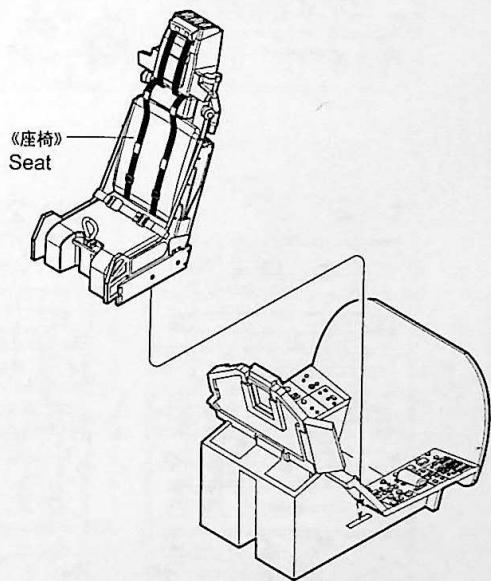
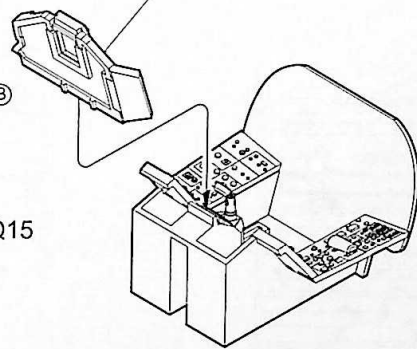
《水贴纸》  
Decal

B119



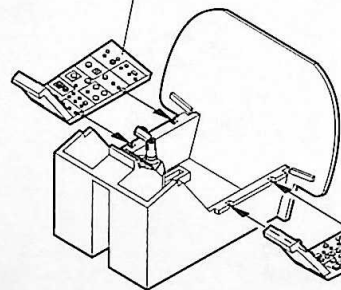
《水贴纸》  
Decal

B112



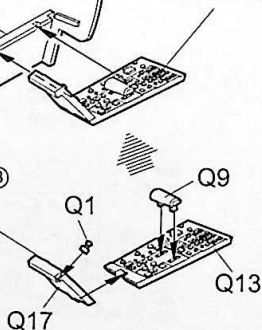
《水贴纸》  
Decal

B114



《水贴纸》  
Decal

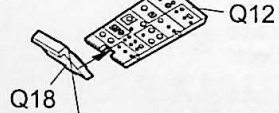
B116



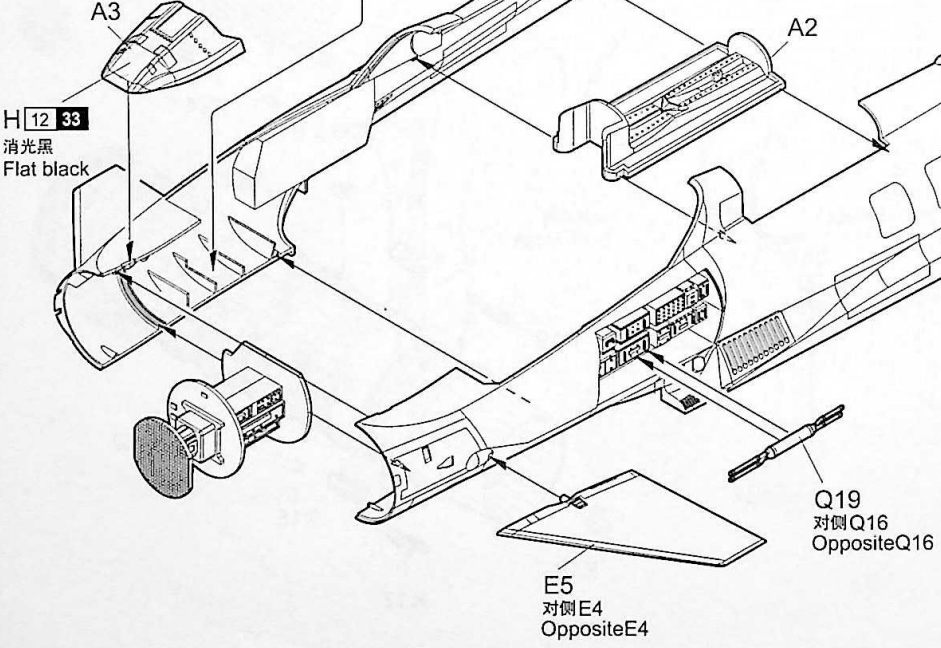
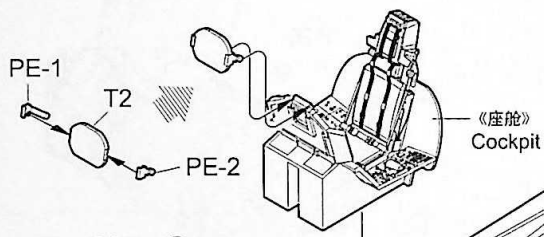
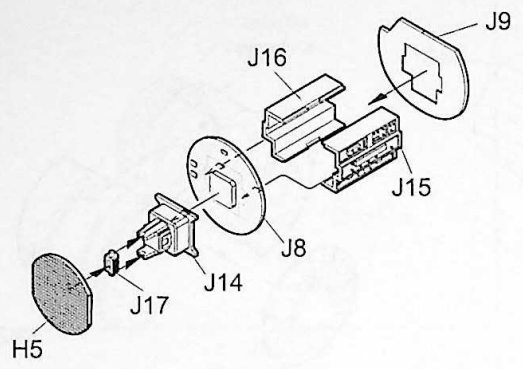
《水贴纸》  
Decal

B118

B117  
《水贴纸》  
Decal

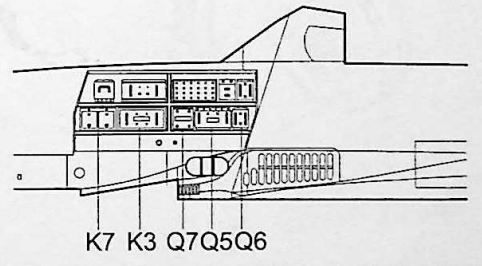
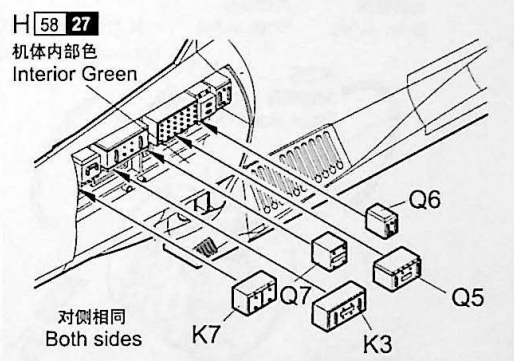
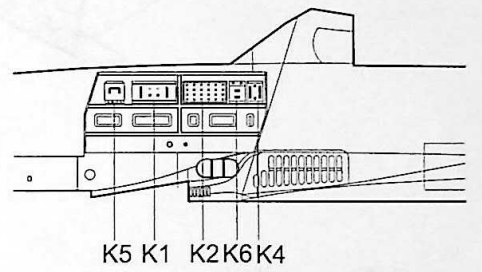
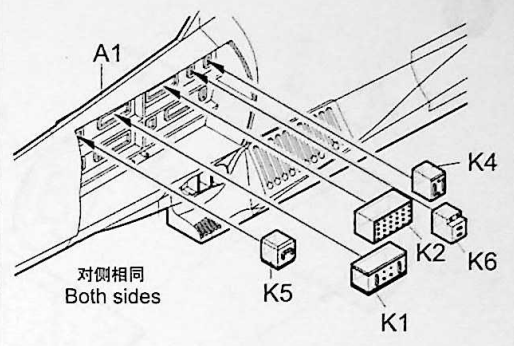


3

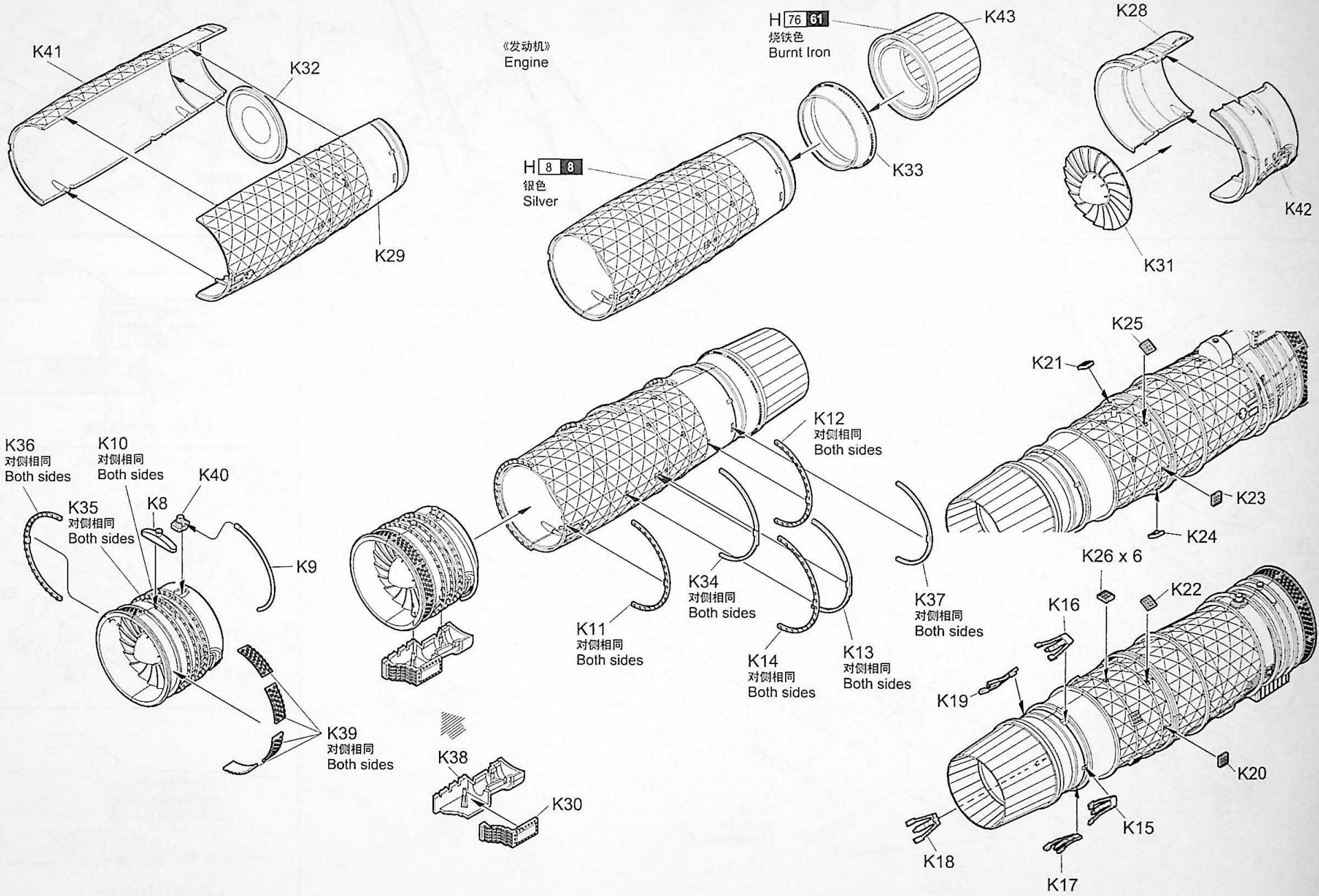


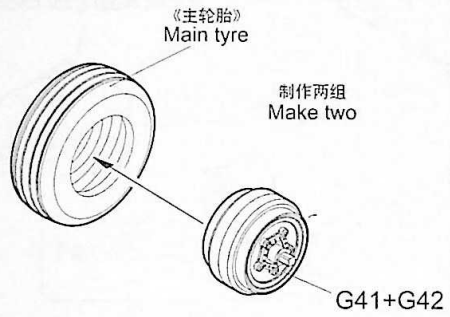
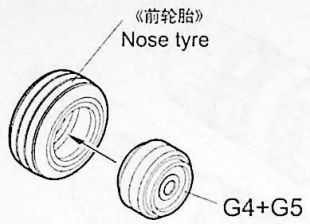
H 12 33  
消光黑  
Flat black

F6+F7



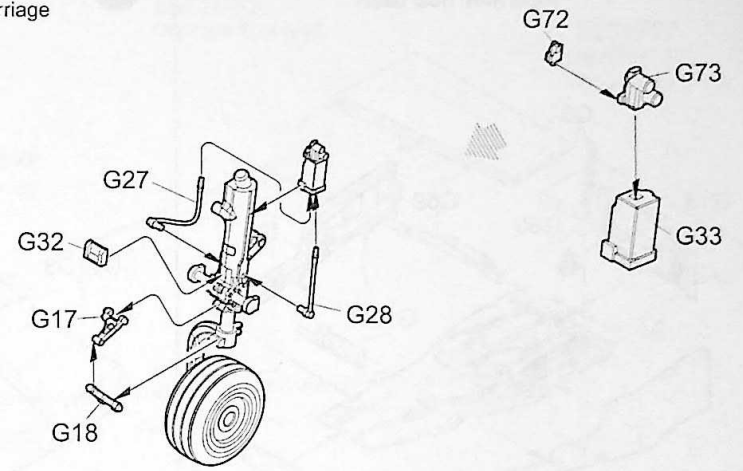
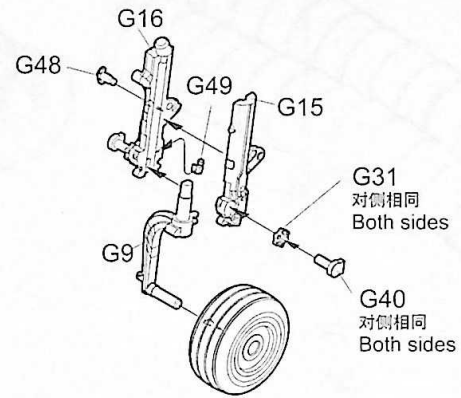
4





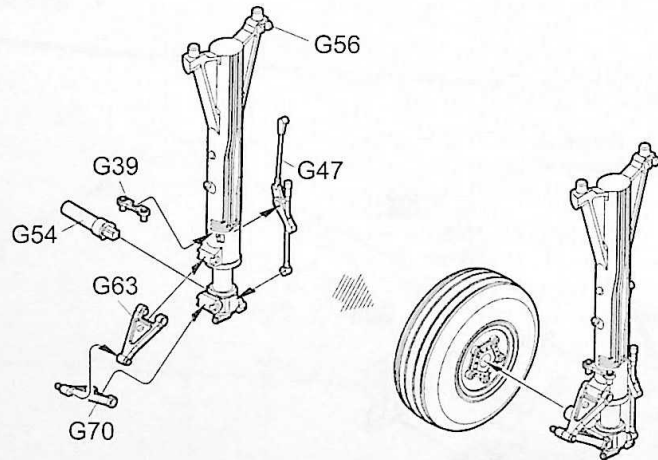
5

《前起落架》  
Nose undercarriage



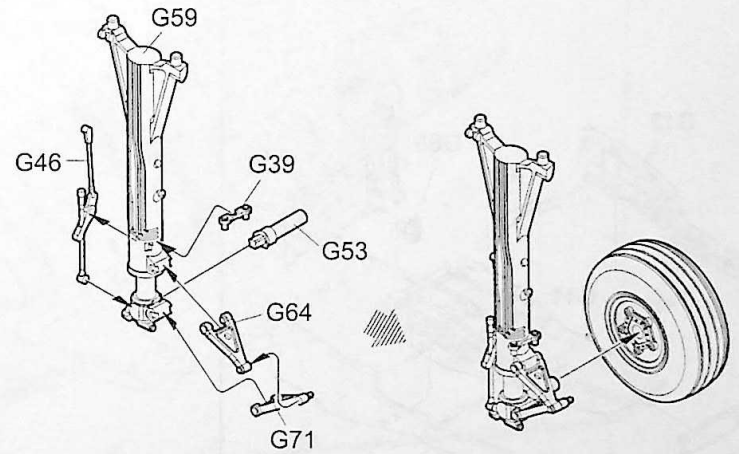
6

《右侧主起落架》  
Right undercarriage

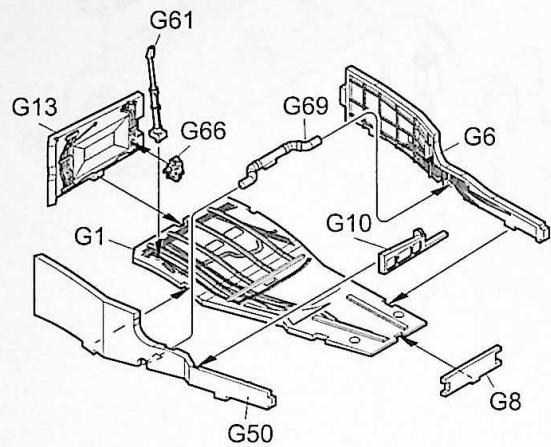


7

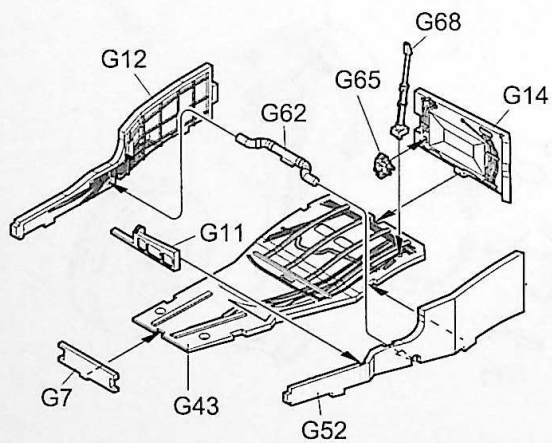
《左侧主起落架》  
Left undercarriage



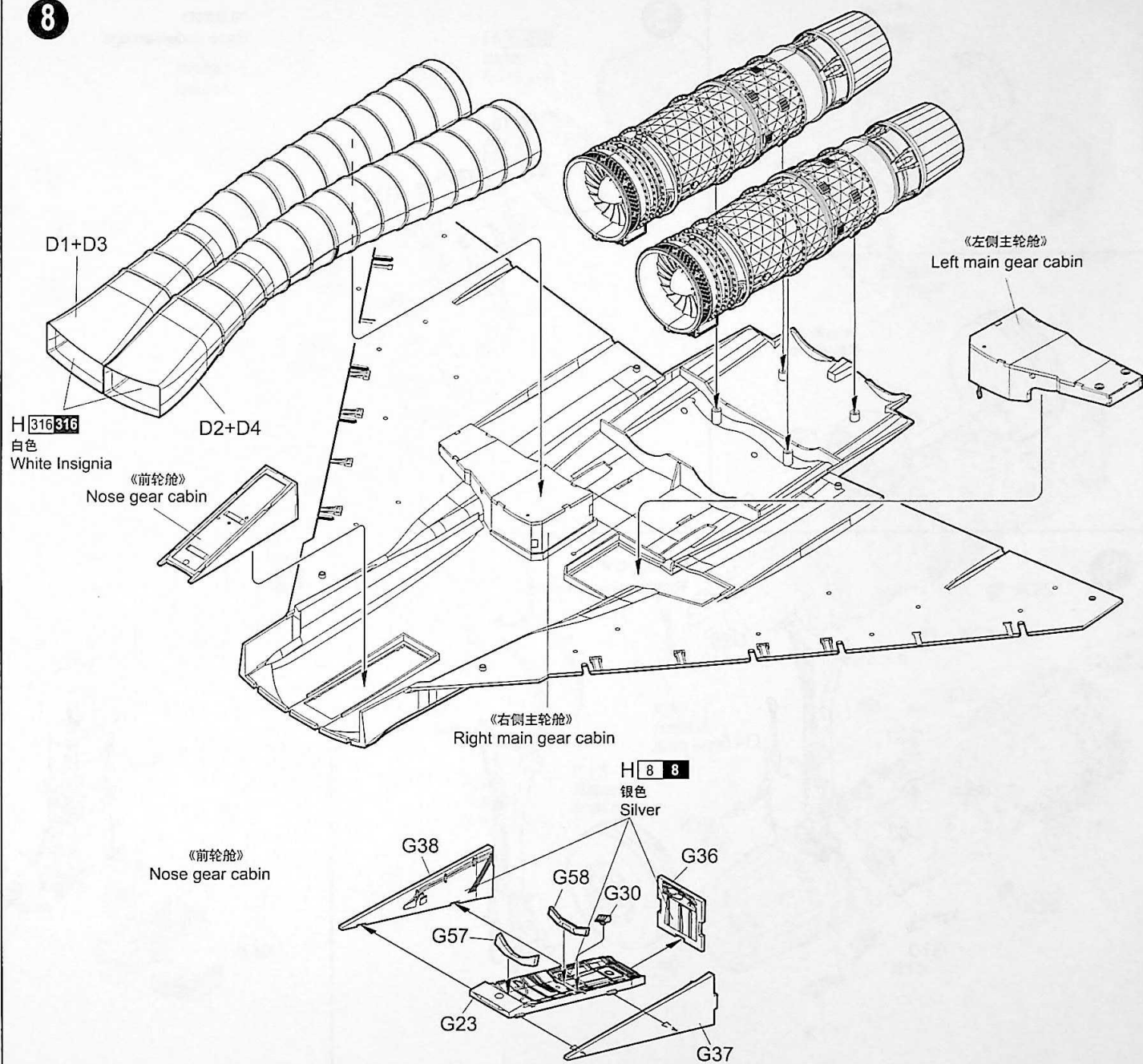
《右侧主轮舱》  
Right main gear cabin



《左侧主轮舱》  
Left main gear cabin



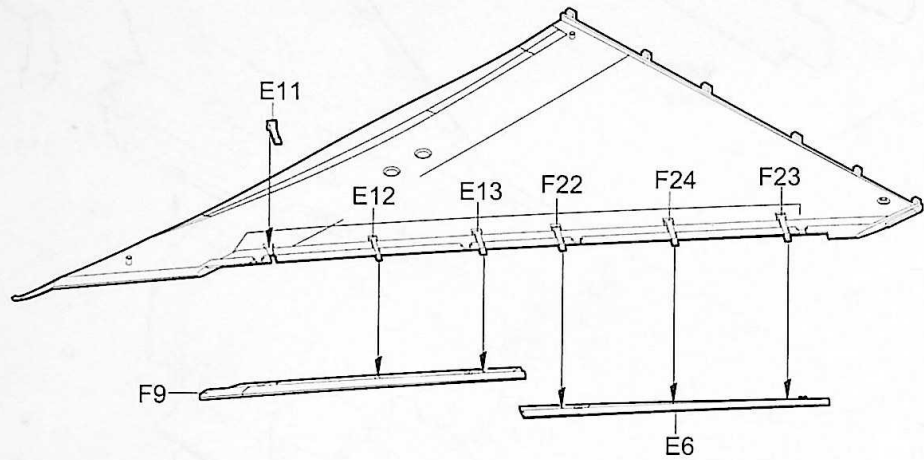
8





9

《右侧机翼》  
Right wing

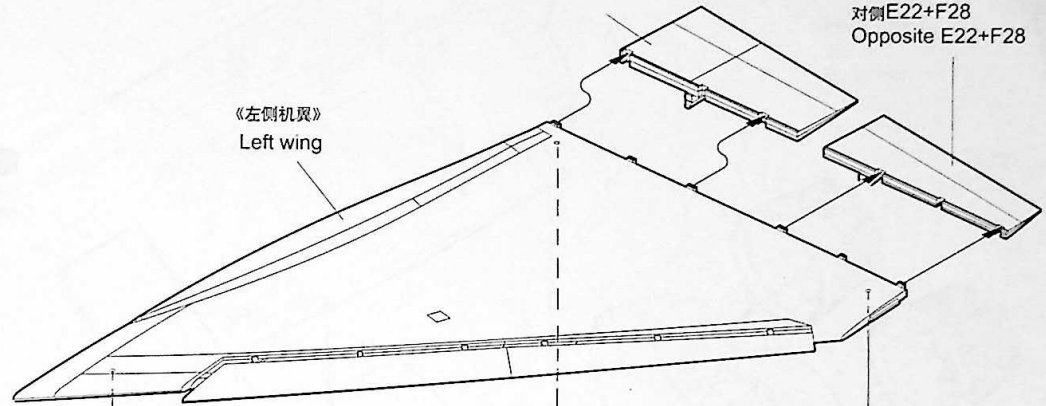


11

E25+F25  
对侧E24+F26  
Opposite E24+F26

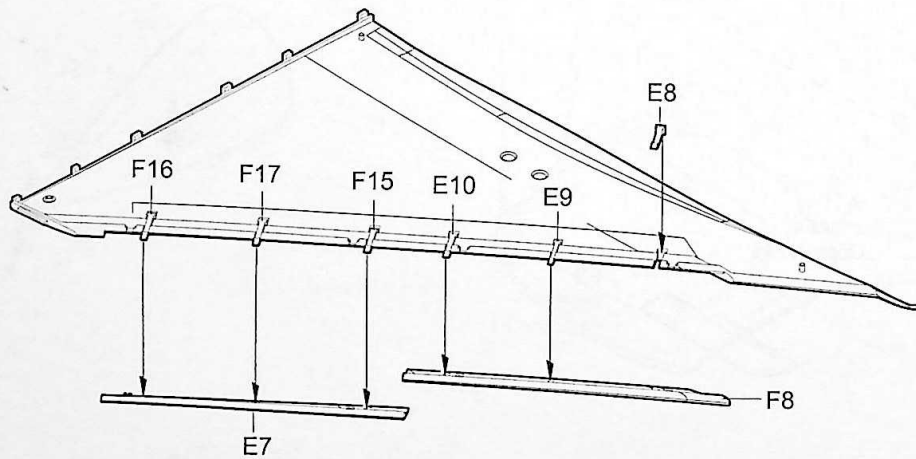
E23+F27  
对侧E22+F28  
Opposite E22+F28

《左侧机翼》  
Left wing

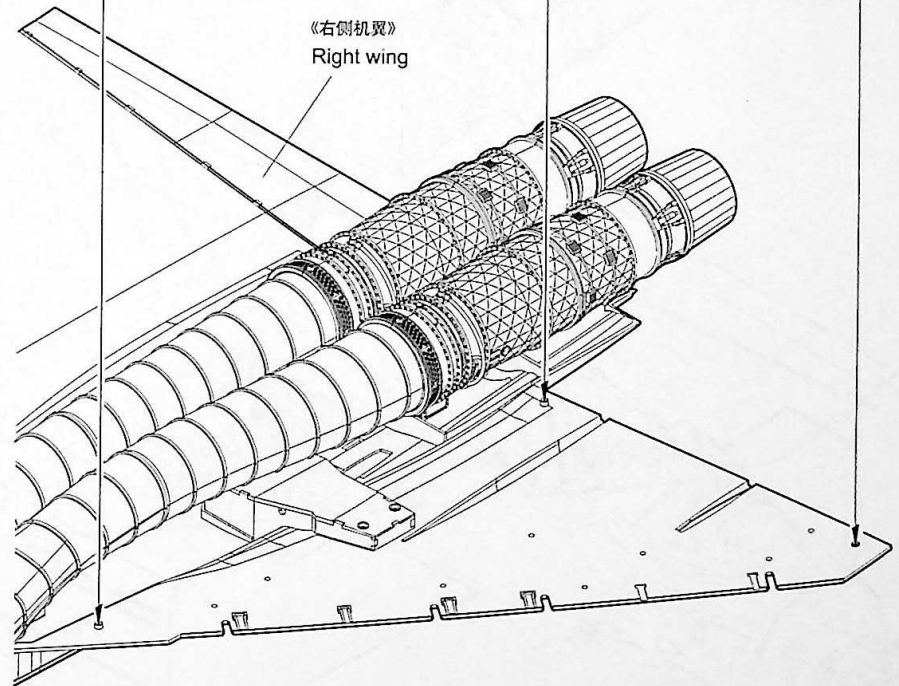


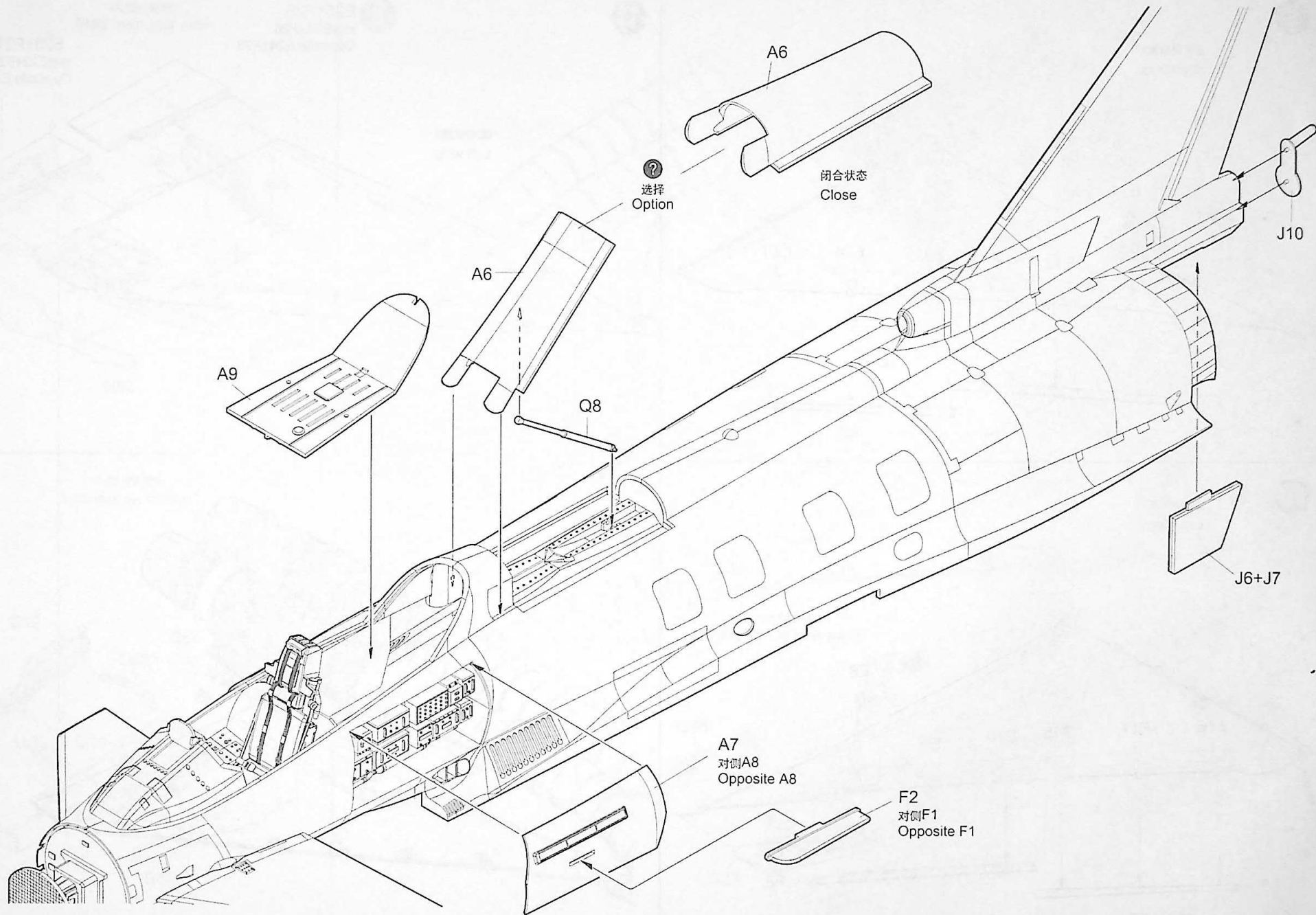
10

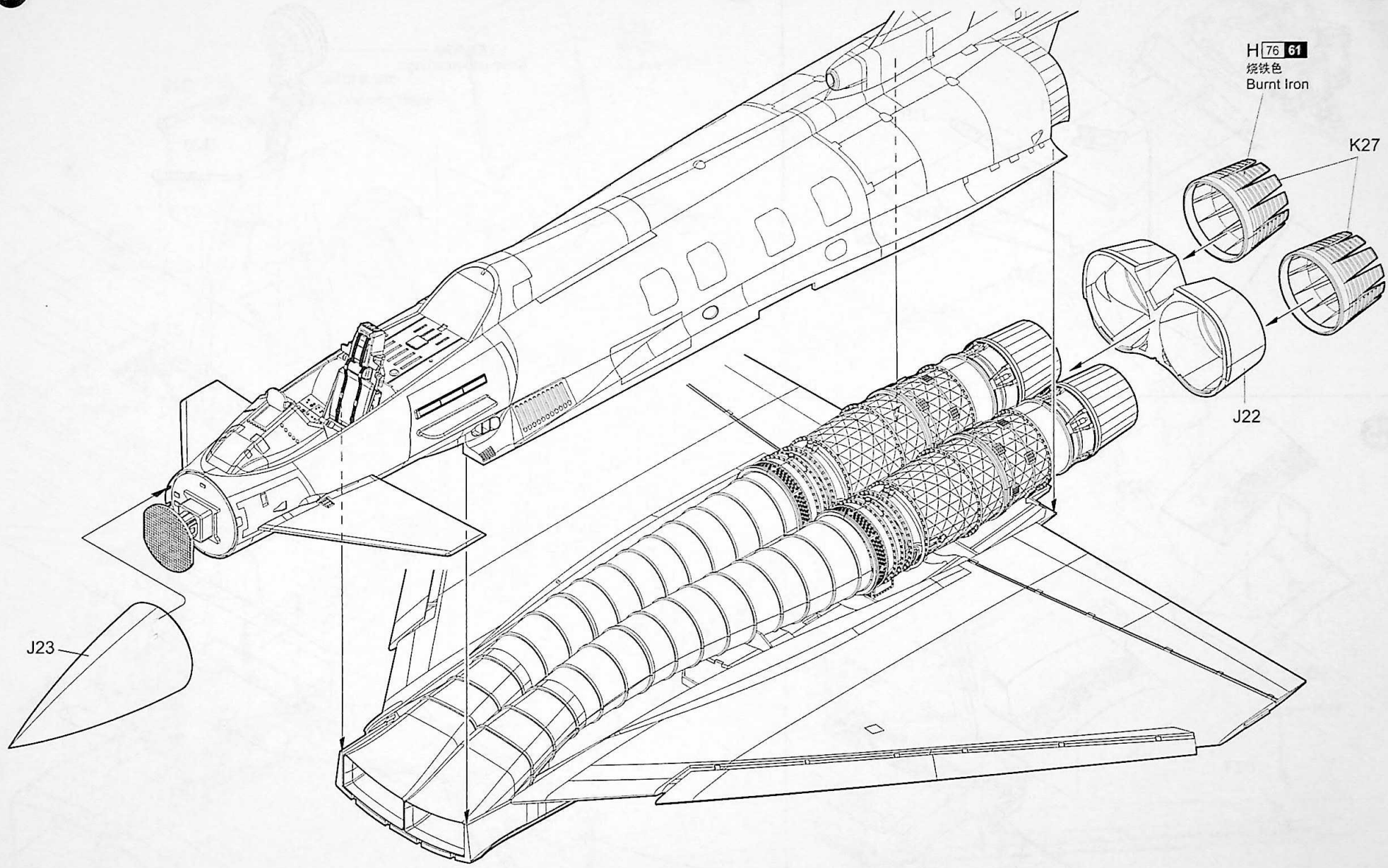
《左侧机翼》  
Left wing



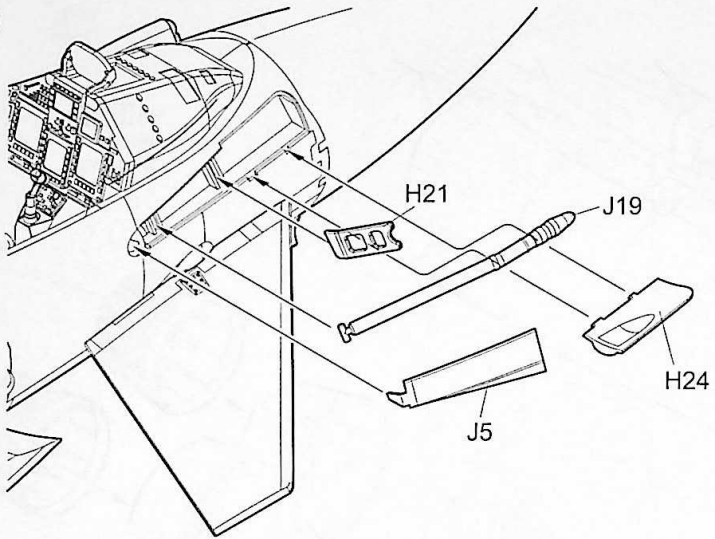
《右侧机翼》  
Right wing



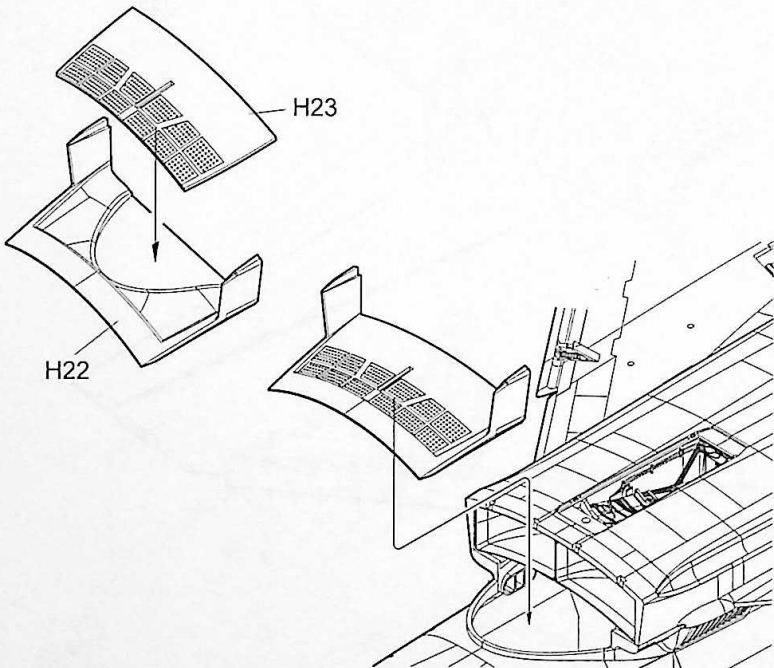




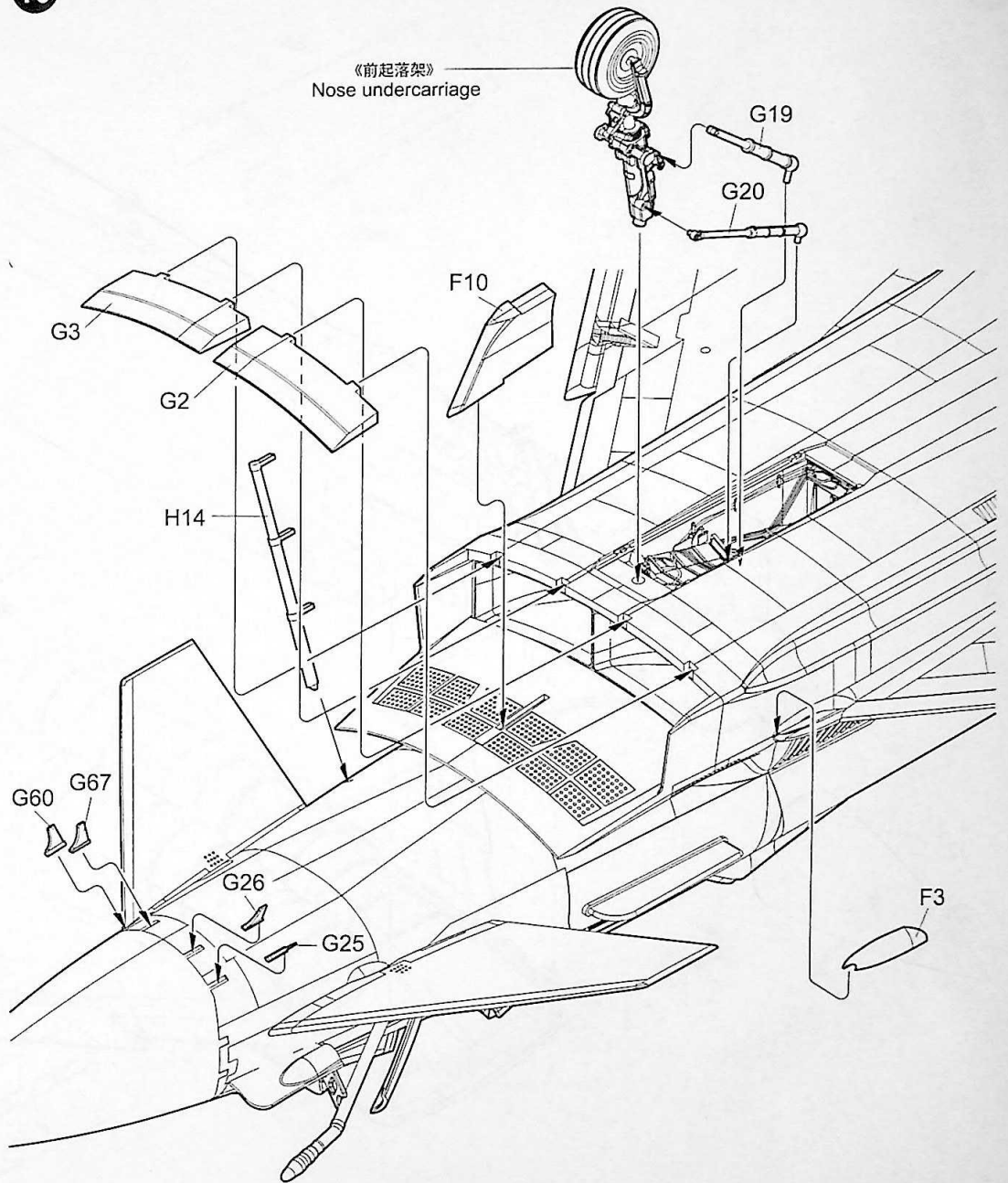
14

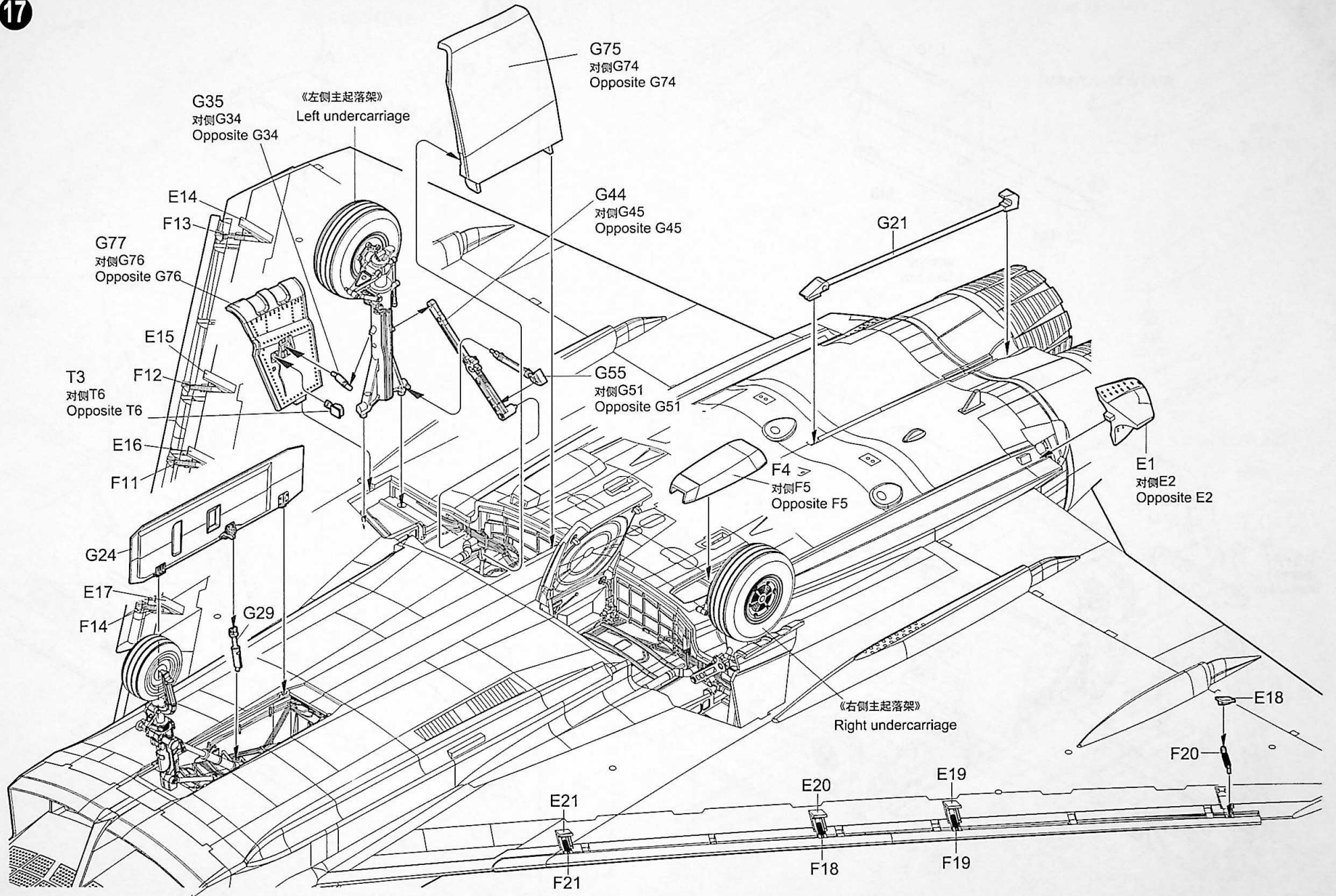


15



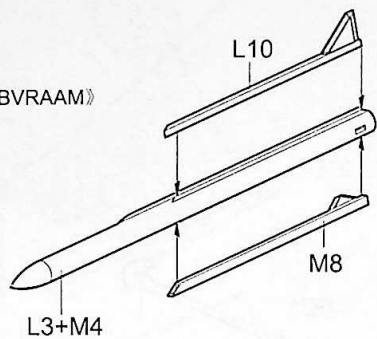
16





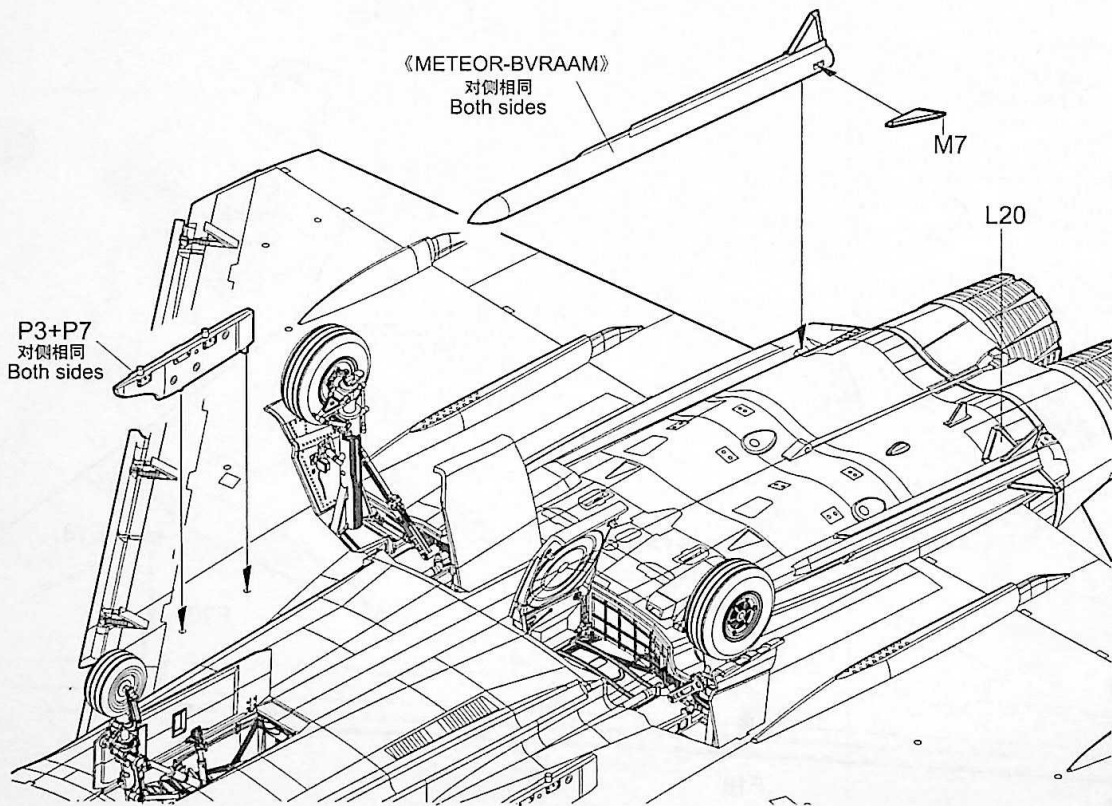
18

《METEOR-BVRAAM》



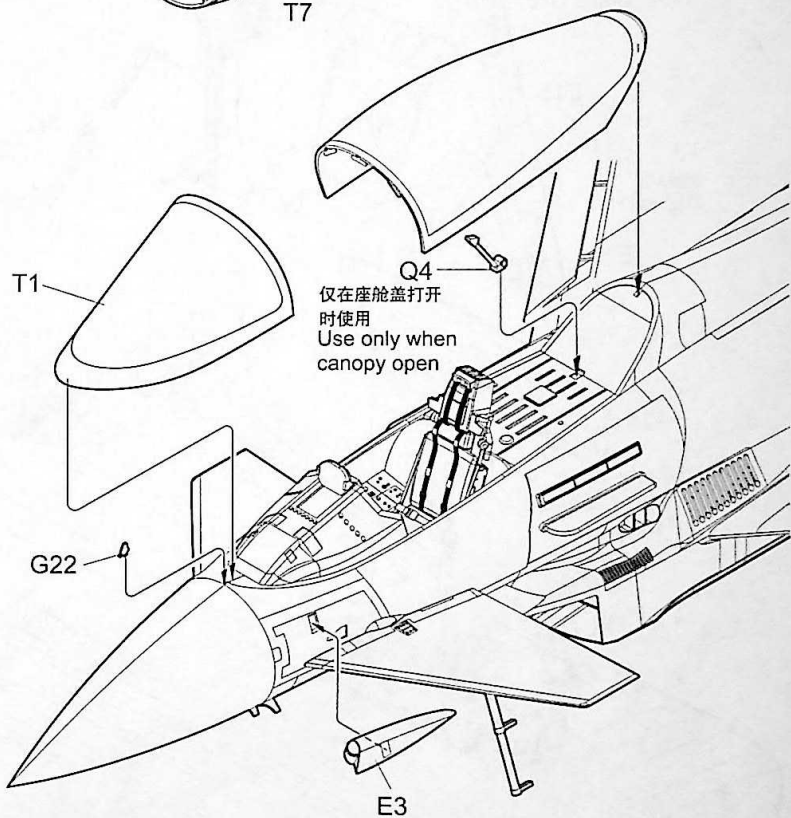
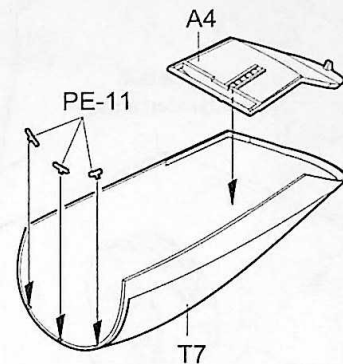
制作两组  
Make two

《METEOR-BVRAAM》  
对侧相同  
Both sides



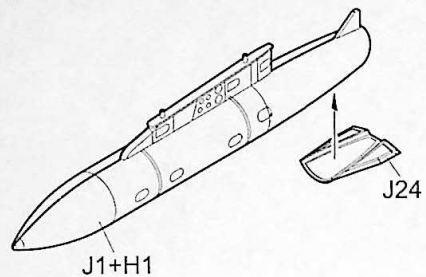
P3+P7  
对侧相同  
Both sides

19

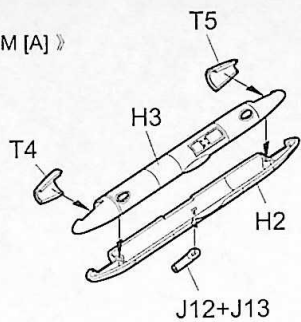


仅在座舱盖打开  
时使用  
Use only when  
canopy open

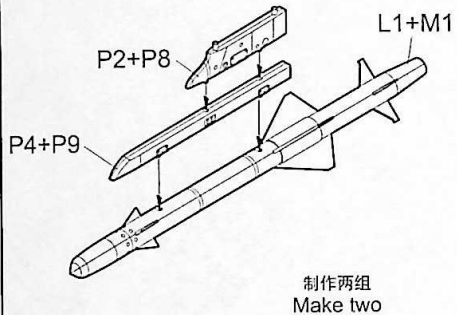
《Fuel Tank [A]》



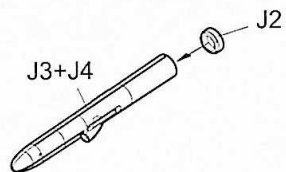
《ECM [A]》



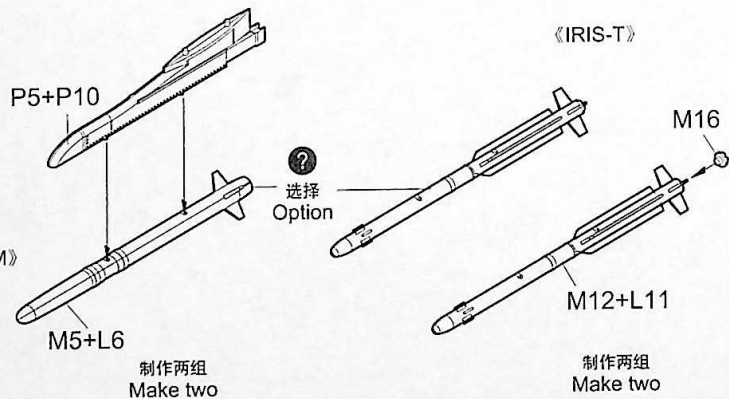
《ALARM》



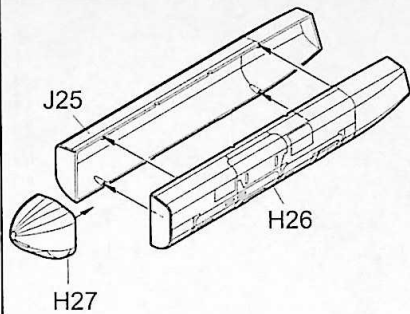
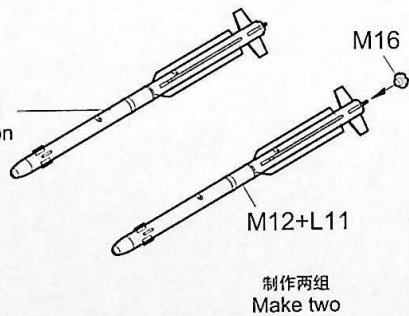
《ECM [B]》



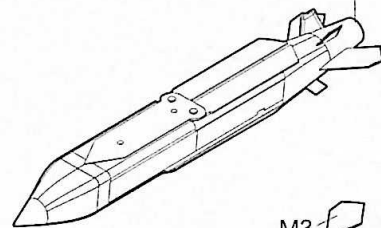
《ASRAAM》



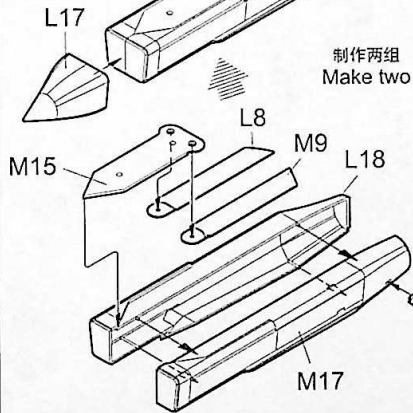
《IRIS-T》



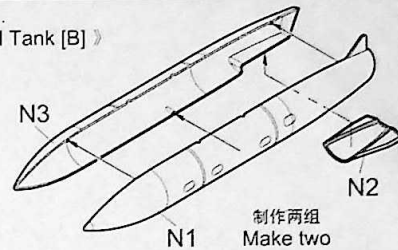
《ECM [C]》



《MBDA Apache》



《Fuel Tank [B]》

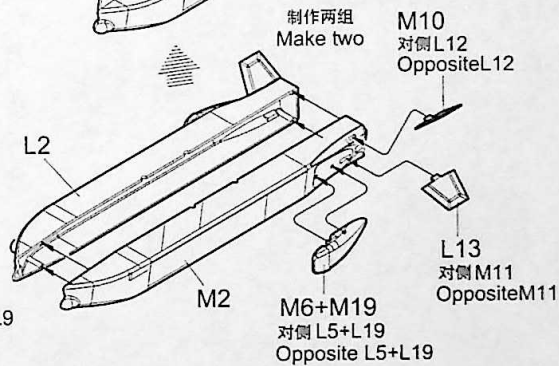
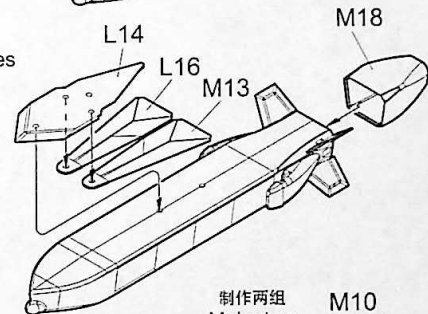


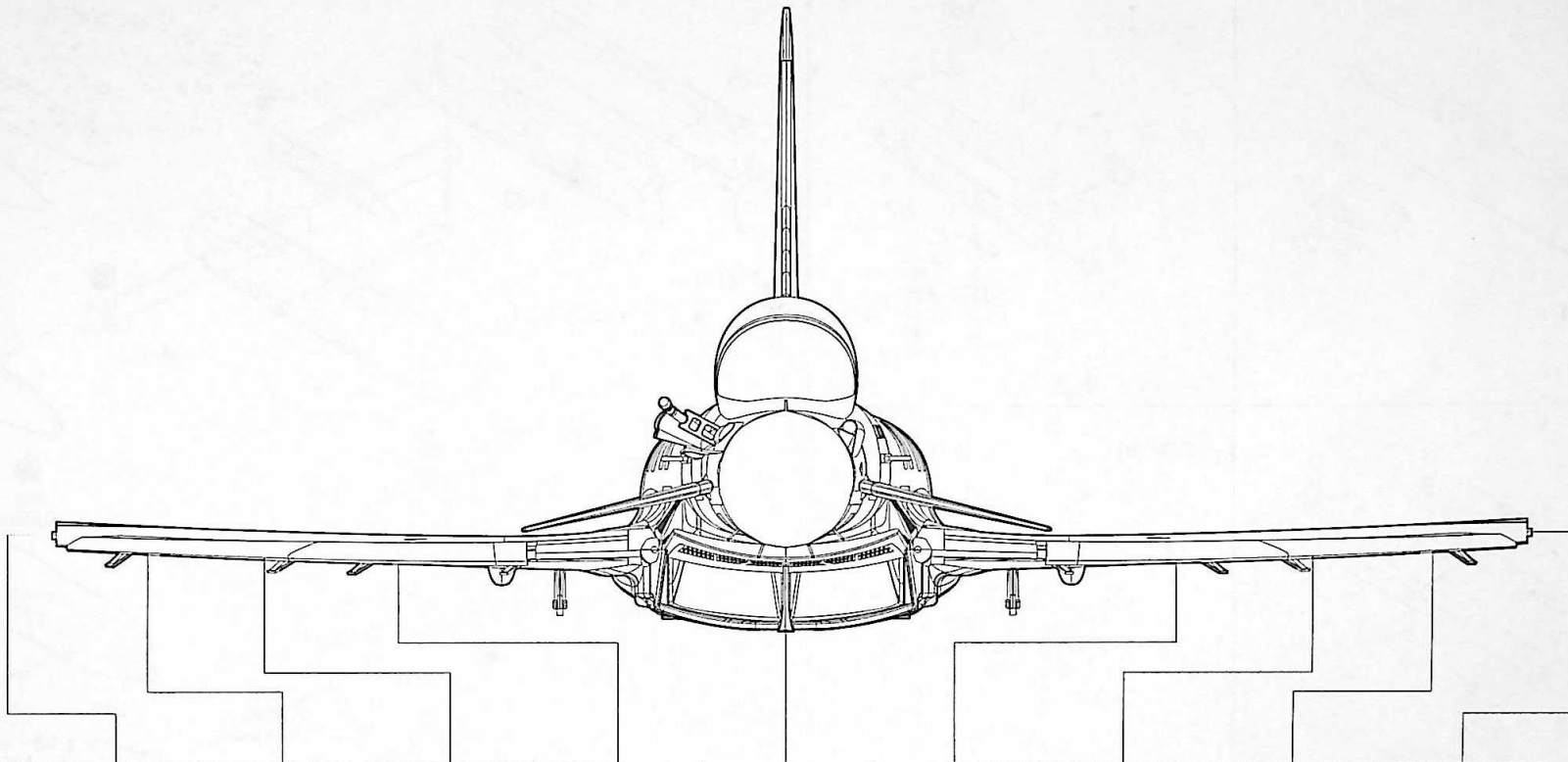
选择 Option

选择 Option

选择 Option

《Tauru KEPD 350》



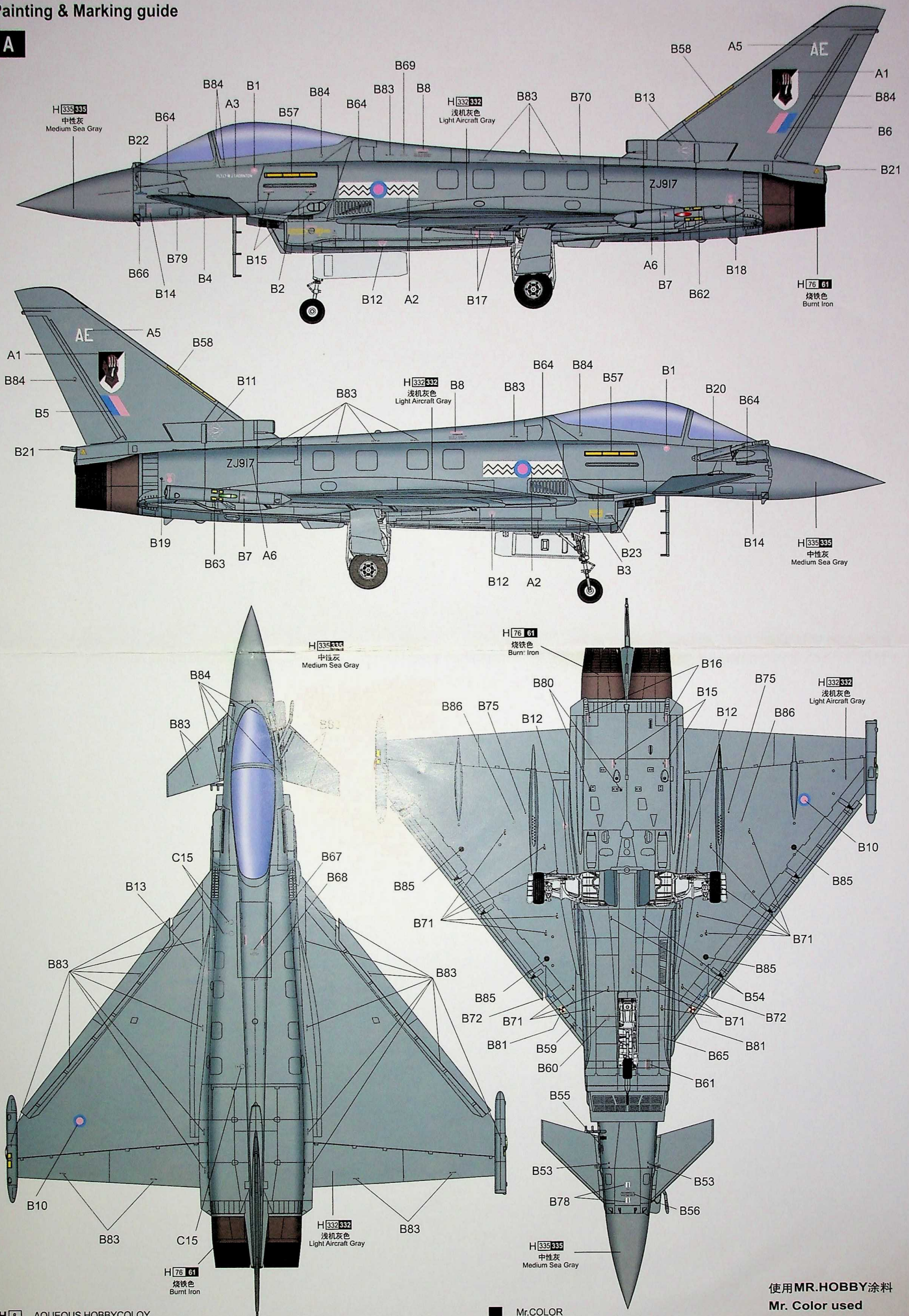


Fuel Tank [A]					●				
ECM [A]									●
ALARM			●				●		
ECM [B]	●								
ASRAAM		●						●	
IRIS-T		●						●	
ECM [C]				●					
Fuel Tank [B]				●		●			
MBDA Apache				●		●			
Tauru KEPD 350				●		●			



涂装同标贴指示  
Painting & Marking guide

A



H 61 AQUEOUS HOBBYCOLOY

Mr. COLOR

使用MR.HOBBY涂料  
Mr. Color used

# 涂装同标贴指示 Painting & Marking guide

Color	Mr.Hobby	Vallejo	Model Master	Tamiya	Humbrol
浅机灰色 Light Aircraft Gray	H 332 332				166
中性灰 Medium Sea Gray	H 335 335	992	2727		156
烧铁色 Burnt Iron	H 76 61	863	1795	X10	53
浅灰蓝 Gray Blue	H 337 337	—	1721	XF20	145
麦灰色 Barley Gray	H 334 334			XF19	167

