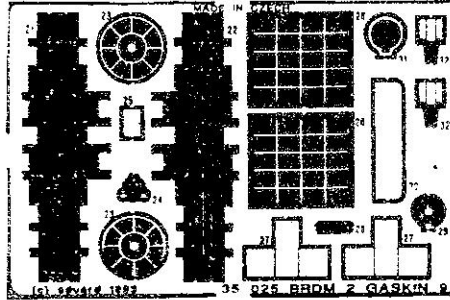
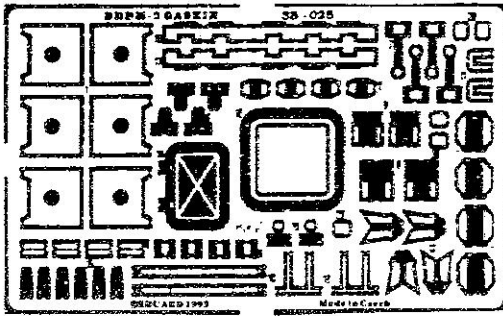




SA-9 GASKIN

1/35 scale detail set
Recommended kit: DRAGON

35-025



CAUTION!

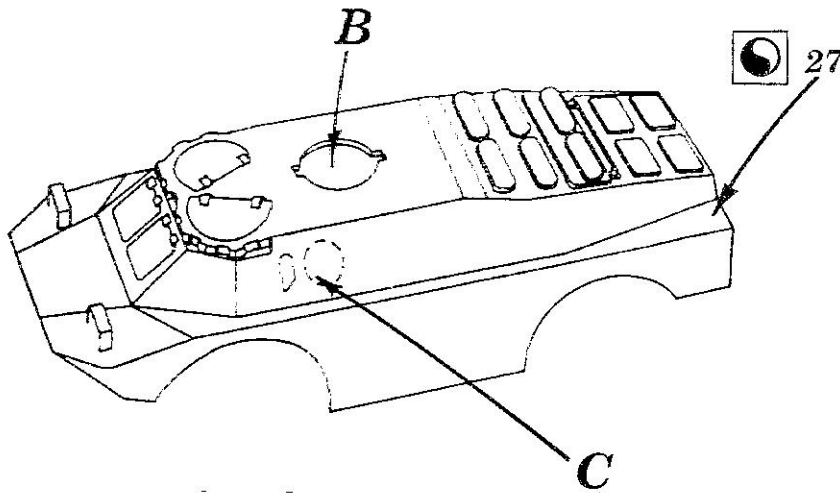
PHOTO ETCHED PARTS CAN ONLY BE GLUED WITH CYANOACRYLATE GLUE. WORK IN A WELL VENTILATED AREA. DO NOT INHALE VAPORS SINCE THESE CAN BE HARMFUL. WASH YOUR HANDS AFTER USING. FIND A DOCTOR ON AN INDISPOSITION.



OPPOSITE SIDE

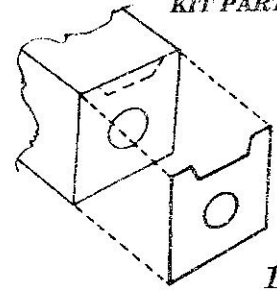


REMOVE

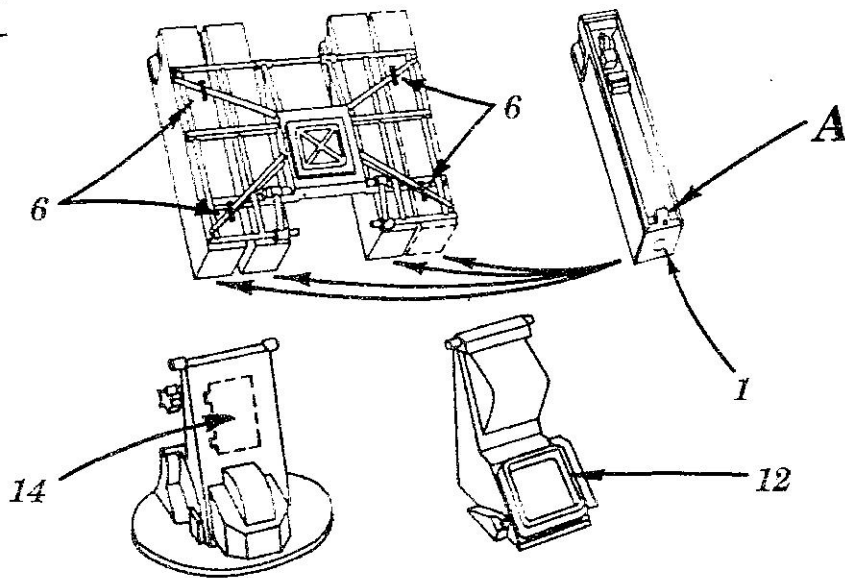


1

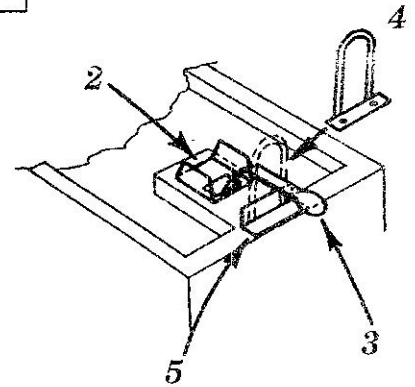
KIT PART



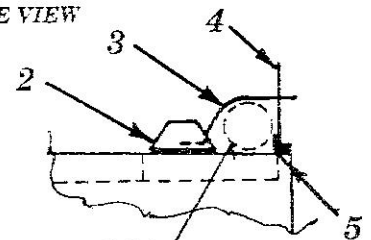
B



A

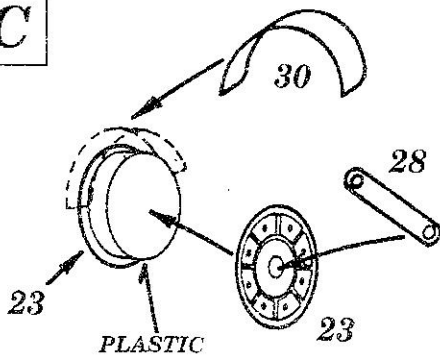


SIDE VIEW

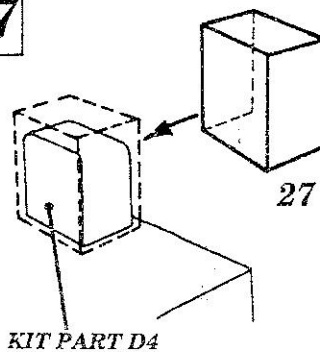


KIT PART C2

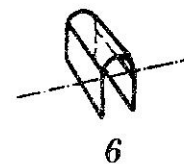
C



27

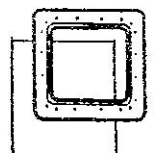


6



12

12



KIT PART P2

