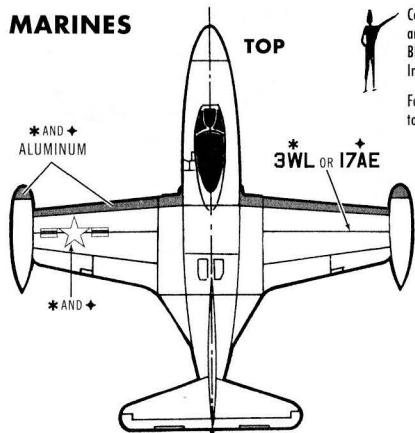


DECAL PLACEMENT & PAINTING

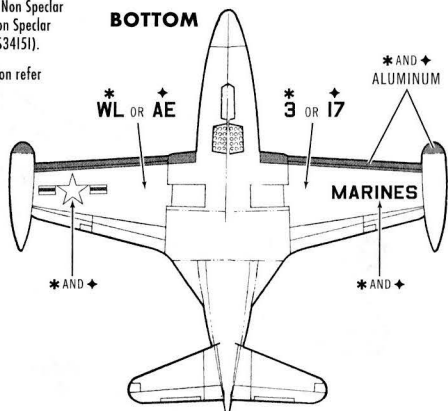
NOTE: For painting and decal placement, also see box art. Follow directions on back of DECAL SHEET when applying decals.

MARINES

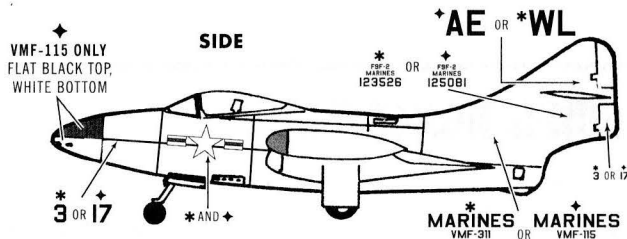


Cock pit interior above the consoles and instrument panel is Non Specular Black (FS37038) and Non Specular Interior Green below (FS34151).

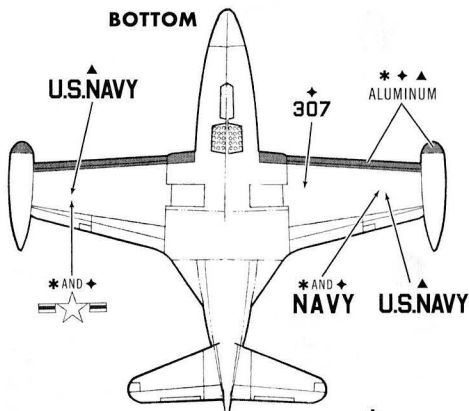
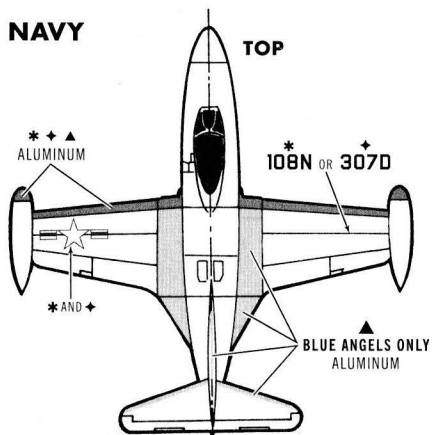
For additional information refer to replica in scale.



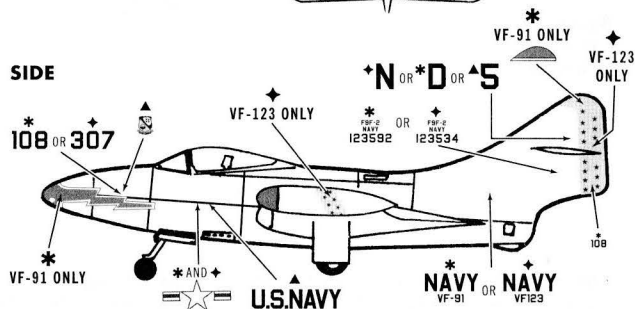
- * VMF-311
GLOSSY SEA BLUE OVERALL
LEADING EDGE OF WING AND TANK TIP ARE ALUMINUM
- ♦ VMF-115
GLOSSY SEA BLUE OVERALL
LEADING EDGE OF WING AND TANK TIP ARE ALUMINUM



NAVY



- * VF-91
GLOSSY SEA BLUE OVERALL
LEADING EDGE OF WING AND TANK TIP ARE ALUMINUM
- ♦ VF-123
GLOSSY SEA BLUE OVERALL
LEADING EDGE OF WING AND TANK TIP ARE ALUMINUM
- ▲ BLUE ANGELS
GLOSSY SEA BLUE OVERALL
LEADING EDGE & INNER TOP WING AND TANK TIP ARE ALUMINUM



A813-202

Grumman Panther F9F

IMPORTANT!

READ THESE POINTS BEFORE YOU BEGIN

- 1 "TEST FIT" all parts before cementing. Trim excess plastic from parts before joining.
- 2 Cement all parts unless otherwise indicated by the instructions.
- 3 Use paint and cement made for styrene plastic only.
- 4 Paint all sub-assemblies before attaching chrome parts.
- 5 Scrape chrome and paint away from surfaces to be cemented together.
- 6 Follow all of the numbers on the instruction sheet beginning with number one.

TOOLS



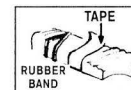
TWEEZERS
TO PLACE, PICK UP AND HOLD SMALL PARTS.



KNIFE
TO REMOVE AND TRIM PARTS.
FILE
TO REMOVE EXCESS PLASTIC.



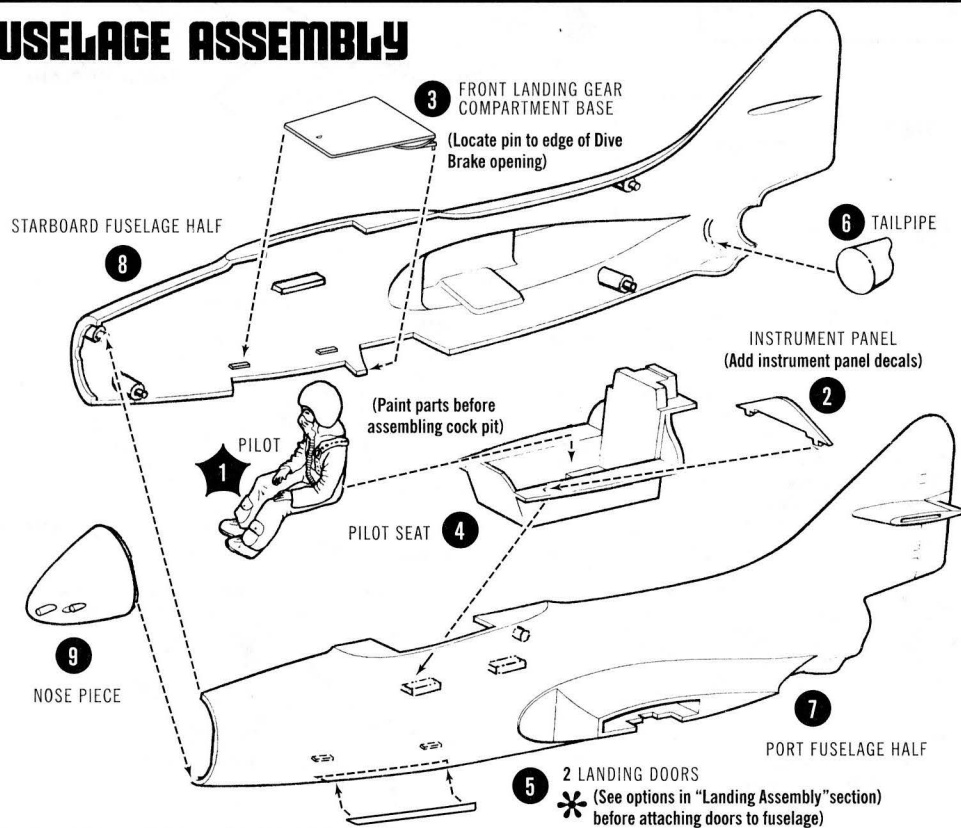
CEMENT
USE TOOTH PICK PAINT BRUSH OR PIN TO APPLY IT.



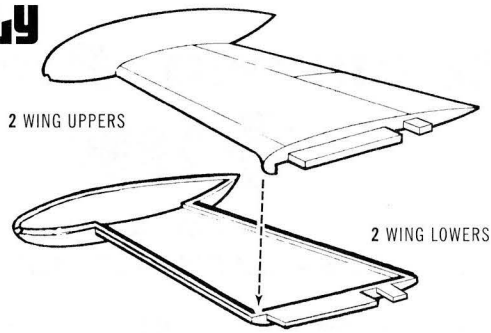
TAPE, RUBBER BAND AND CLOTHES PINS
TO CLAMP AND HOLD PARTS UNTIL THEY ARE DRY.

IMPORTANT NOTE: Do not remove parts from runners until ready to use.

FUSELAGE ASSEMBLY

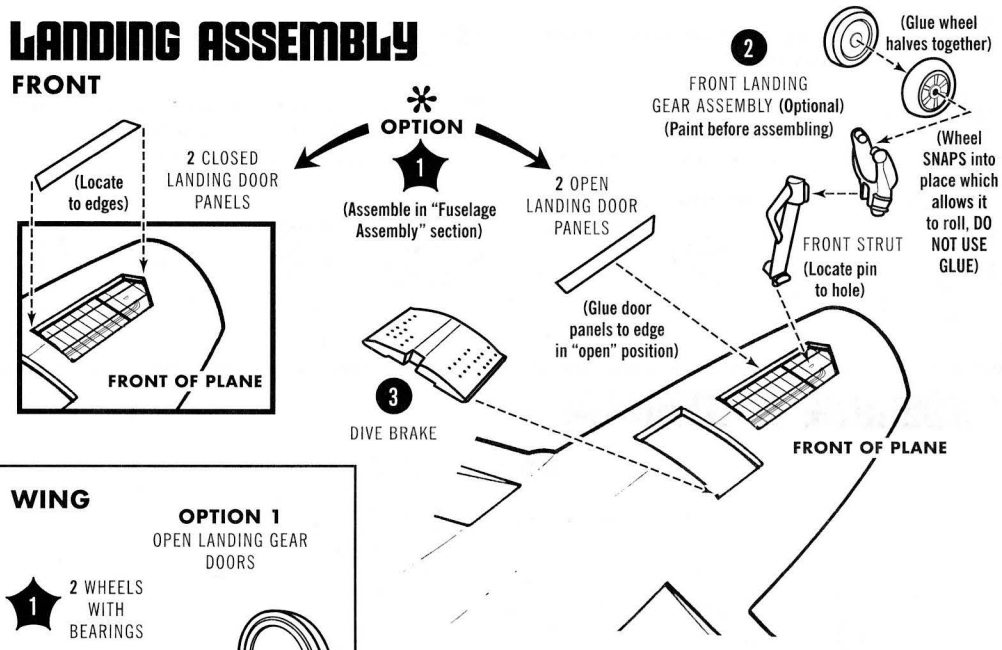


WING ASSEMBLY



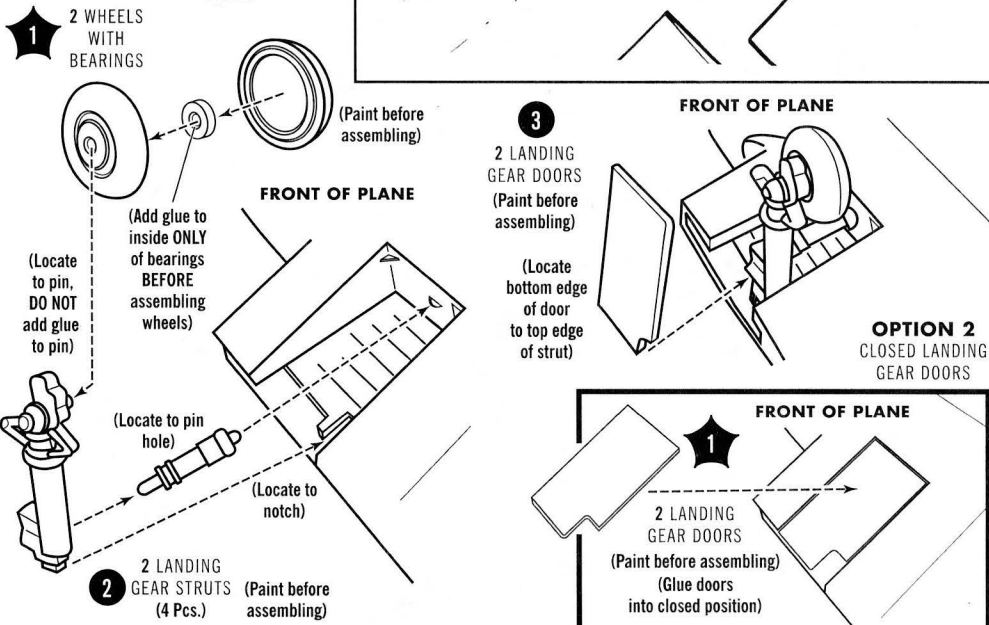
LANDING ASSEMBLY

FRONT

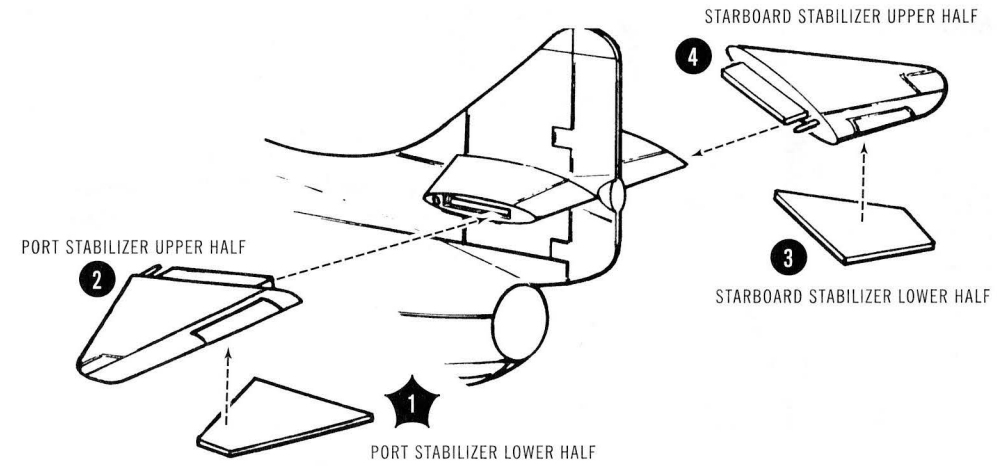


WING

OPTION 1
OPEN LANDING GEAR DOORS



TAIL ASSEMBLY



FINAL ASSEMBLY

