

1:32 SCALE

SU-25 Frogfoot A

苏-25“蛙足”A攻击机

READ BEFORE ASSEMBLY:

- Study and understand these instructions thoroughly before beginning assembly
- When needed, remove photo-etch parts carefully using a modeling knife or photo etch sprue cutter, being careful not to damage or lose small parts.
- Take extra care in handling photo etch parts in order to avoid injury
- Apply instant cement sparingly to photo etch parts where instructed

- Tools recommended(not included in kit):Plastic and instant cements,sprue cutters,long nose pliers,modeling knife, small files, tweezers, pin vise & scissors. Soft cloth and sandpaper will also assist in construction
- Glue and paint are not included in the kit. Use plastic cement and hobby paints only. Color guide for purchasing paint is included in the kit.

装配之前仔细阅读

- 小心用模型锉刀锉平所有零件表面的注射浇口。
- 小心用刀片切下蚀刻片零件,不要遗失小零件。
- 用强力快干胶水粘合蚀刻片零件和金属轴。过量快干胶水,使用可能导致可动零件会粘住,小心涂胶。
- 取蚀刻片时应特别注意安全,防止利边划伤手指。
- 某些零件表面需贴上水贴纸,请选择在装配的同时进行。
- 推荐模型工具(自备):胶水,水口剪刀,长阻钳,刀片,锉刀,镊子,钳,钻,剪刀,瞬间快干胶。
- 软布同砂纸同时也应该是必备工具。
- 请使用塑料胶水和油漆,模型内不含。

水贴纸的使用:

1. 从水贴纸上剪下印花;
2. 将印花放入温水中浸10秒,然后放在干净布上;
3. 拿着印花纸将印花移到模型上;
4. 手指蘸水将印花移到适当的位置;
5. 用软布轻压印花直至水干,气泡消失。

DECAL APPLICATION:

1. Cut decals from sheet as needed
2. Dip the decal in warm water for about 10 seconds and then place on soft clean cloth.
3. Hold the decal backing sheet edge and gently slide the decal onto the model in its proper position.

4. While still wet, decal can be adjusted for better fit on model by dampening it gently with your finger.

5. When placed in the proper position, gently press decal down with a soft cloth until excess water and air bubbles are gone.

6. Allow decal to dry completely before handling model



cyanocrylate glue
使用强力胶

glue weight
配重

make hole
钻孔

cut / remove
切除



option
选择

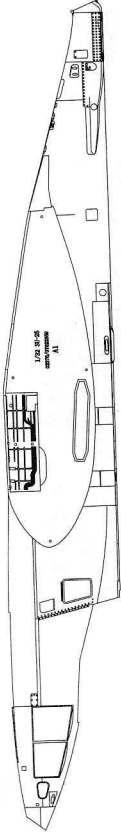
no cement
不涂胶水

bend
弯曲

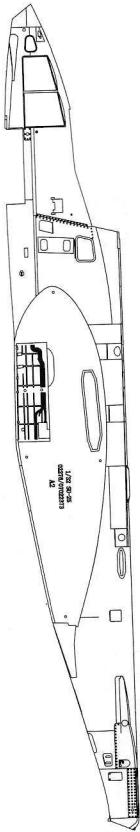
file / sand
锉平

部品图
Parts

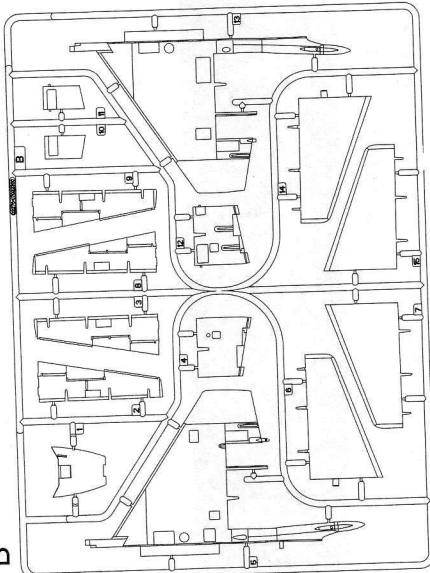
A1



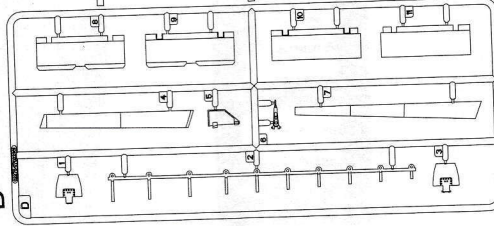
A2



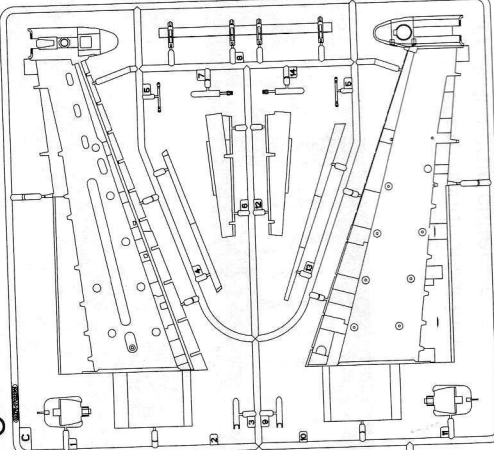
B



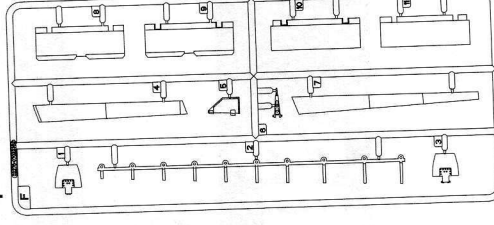
D



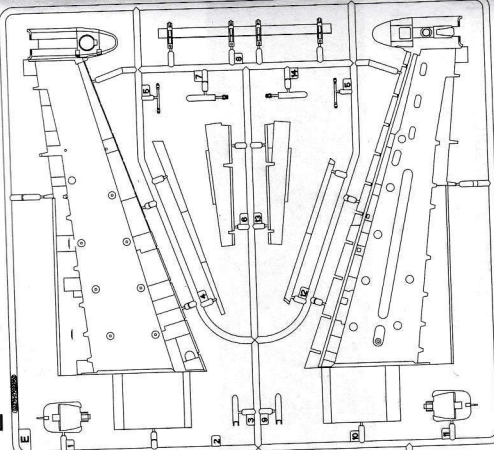
C



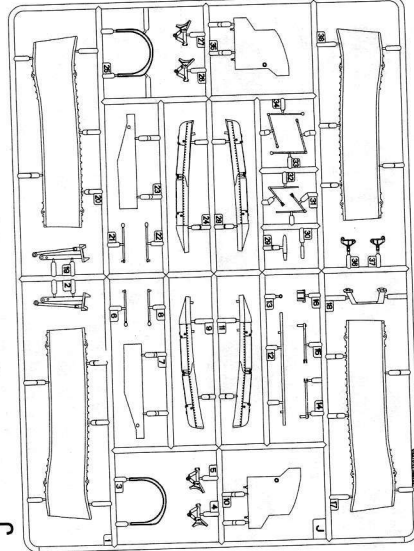
F



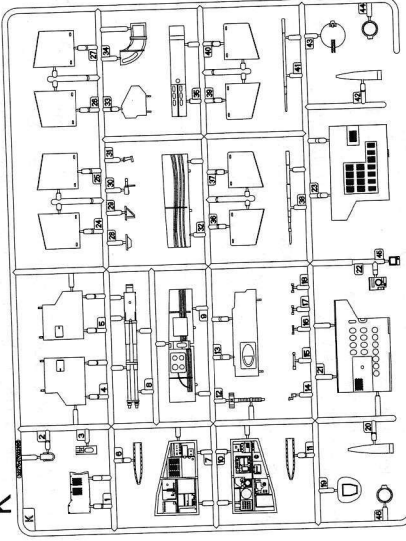
E



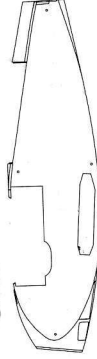
J



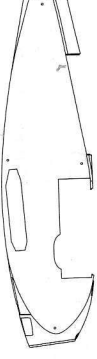
K



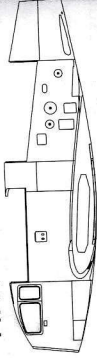
GG1



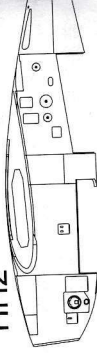
GG2



HH1

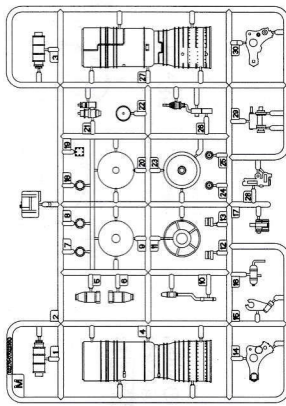


HH2

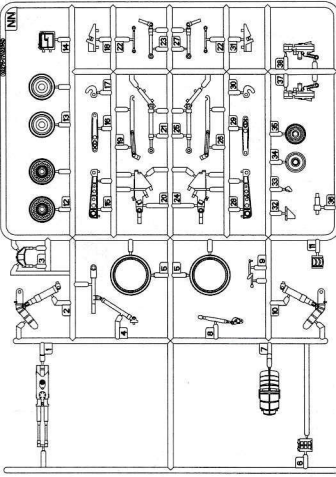


部品图 Parts

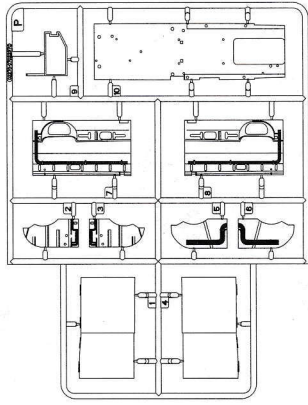
MM x 2



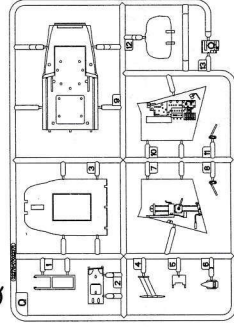
NN



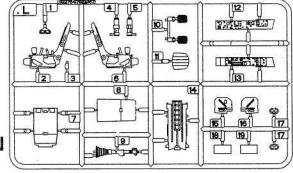
P



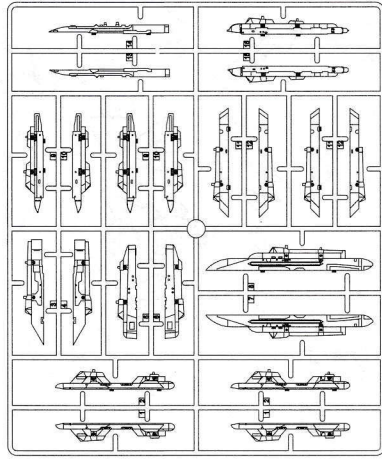
Q



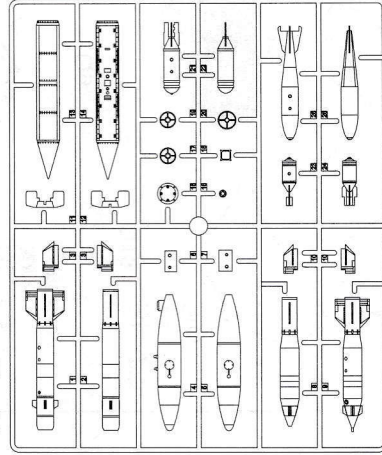
L



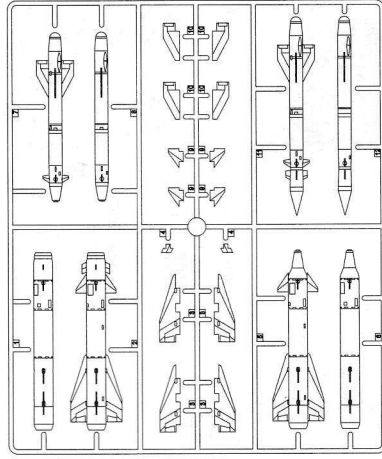
H x 4



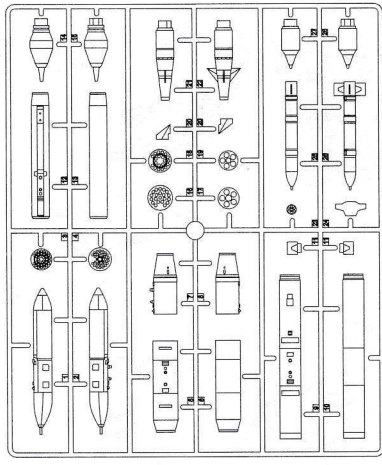
W x 2



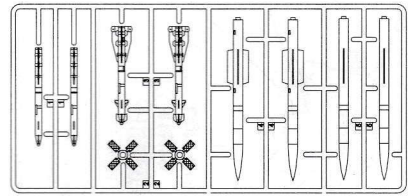
M x 2



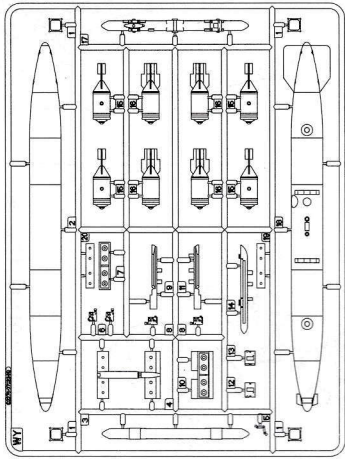
N x 4



U x 4



WY x 2



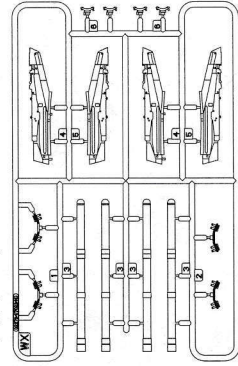
《主轮胎》 x2
Main tyre



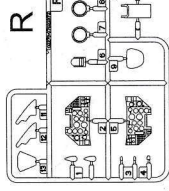
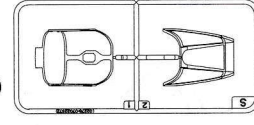
《前轮胎》
Nose tyre



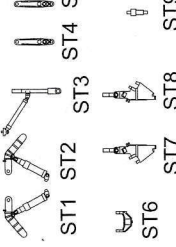
WX x 4



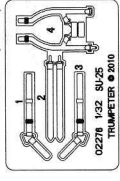
S



《金属部件》
Metal parts

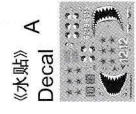


《蚀刻片》
Photo etched part(PE)



02278 1522 BU26
TRANSMITTER PARTS

不用的部件: J9 J11 J24 J28 K16 K17
Unused parts K44 K46 R2 R10 R11R12
R13 Q13 G1 G5 G6 G8
G9 G10 G12 H1 H2 H3
H4 H5 H6



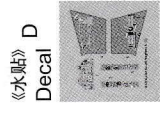
《水贴》 A
Decal



《水贴》 B
Decal



《水贴》 C
Decal



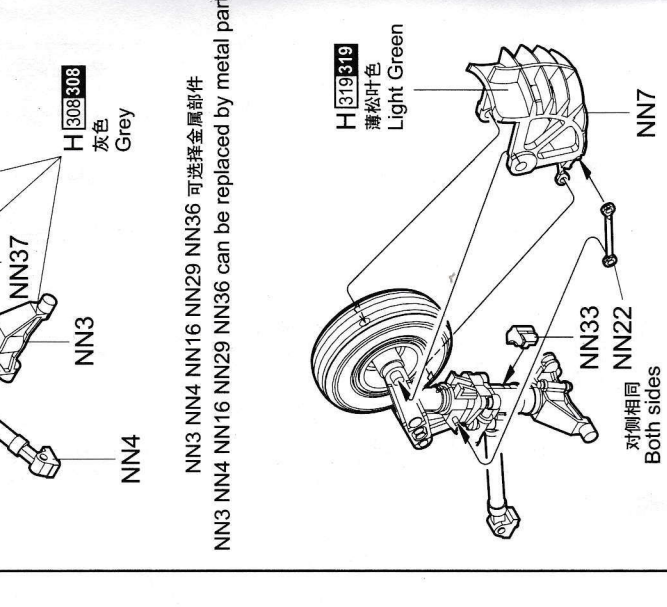
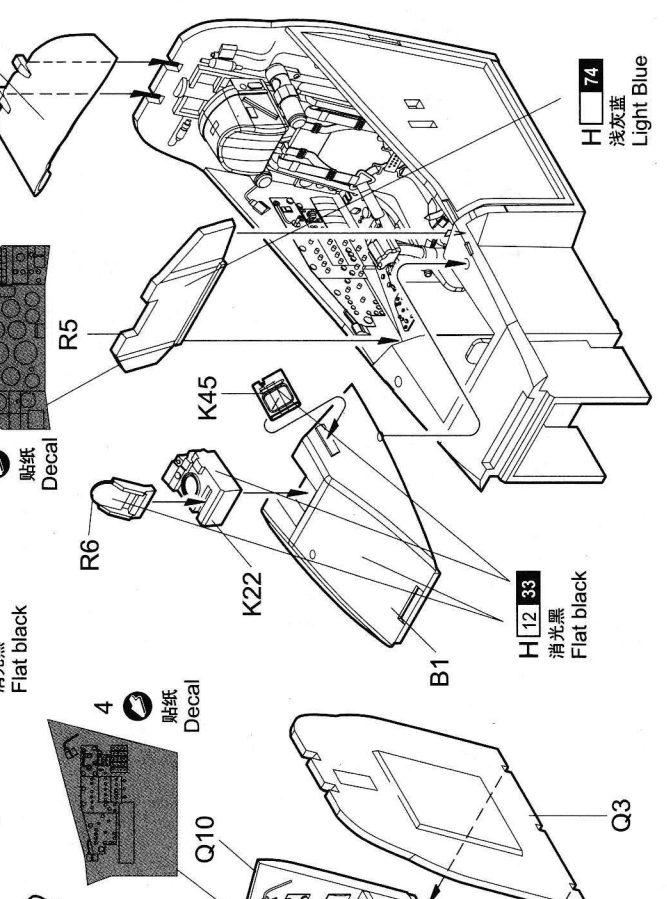
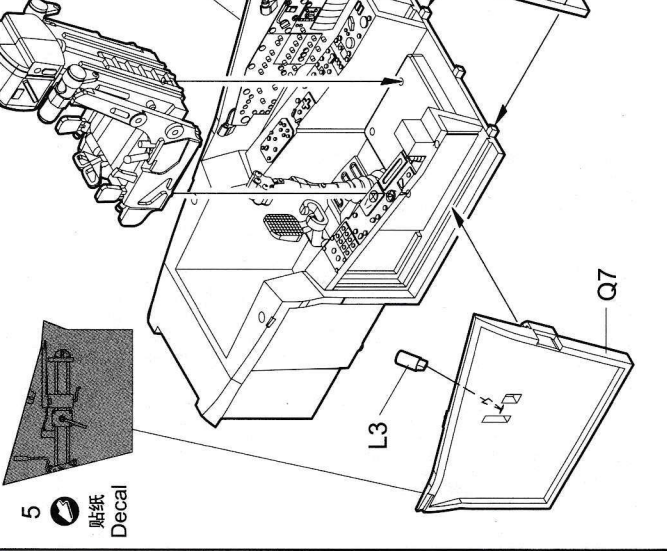
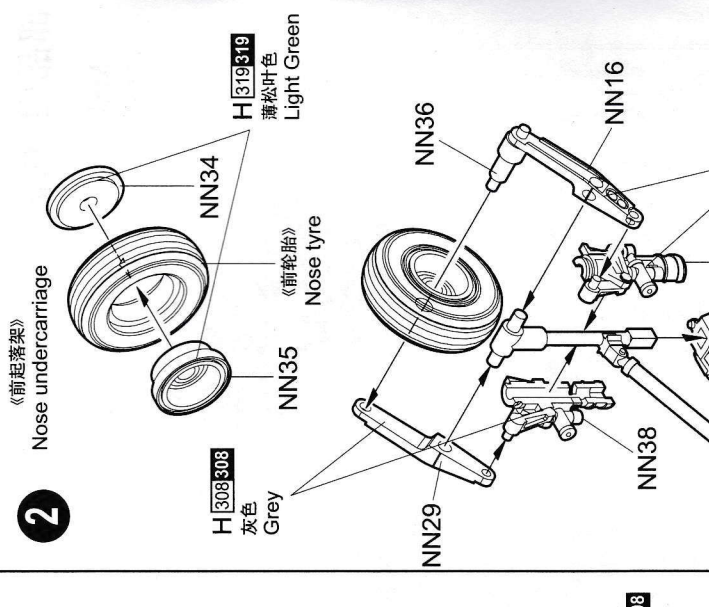
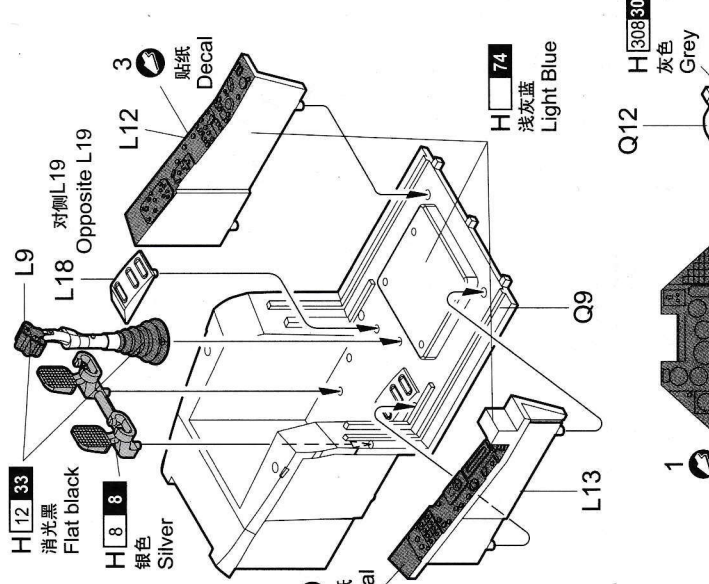
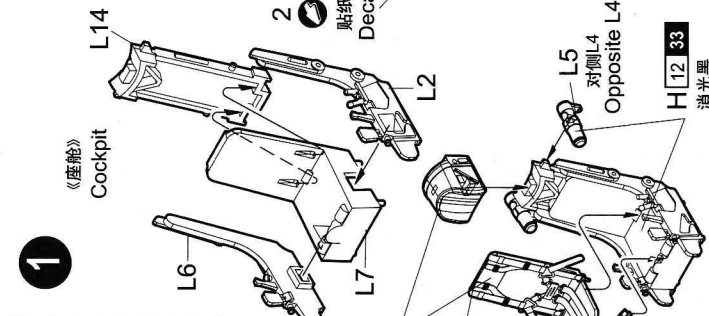
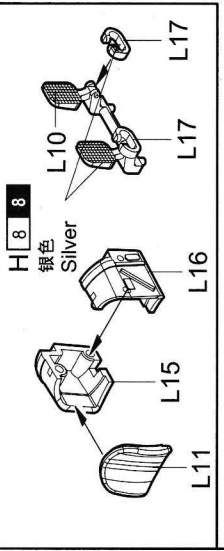
《水贴》 D
Decal



《水贴》 E
Decal



《水贴》 F
Decal



《前起落架》
Nose undercarriage

《座舱》
Cockpit

《前起落架》
Nose tyre

《座舱》
Cockpit

《前起落架》
Nose tyre

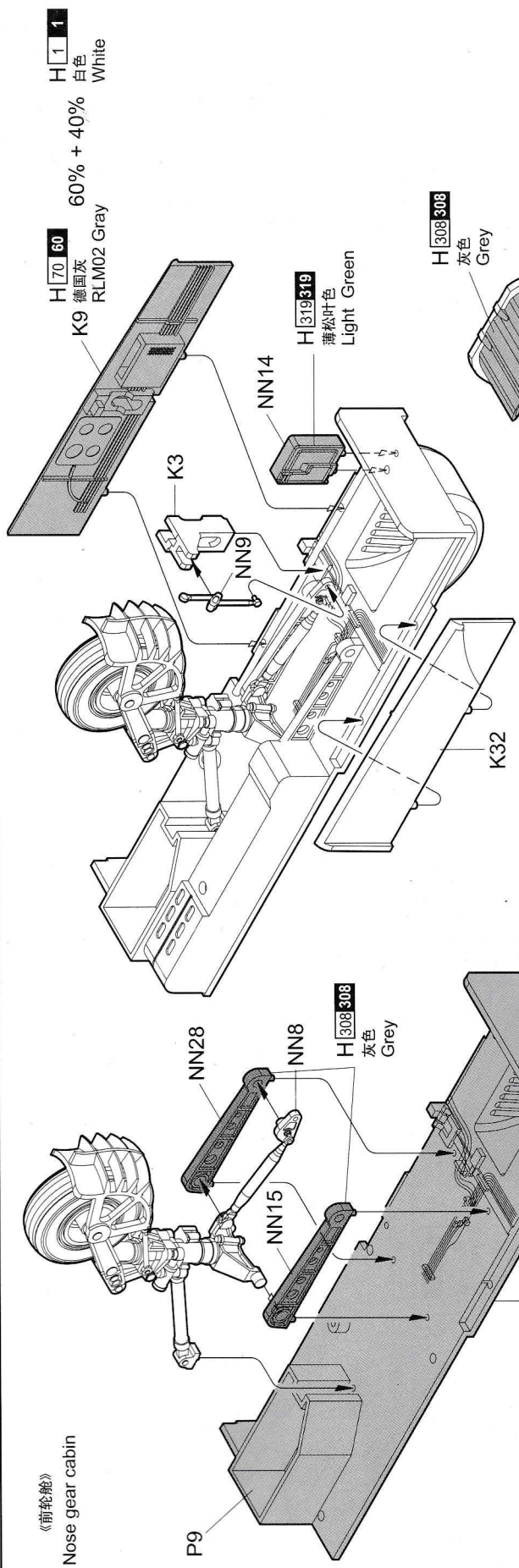
NN3 NN4 NN16 NN29 NN36 可选择金属部件
NN3 NN4 NN16 NN29 NN36 can be replaced by metal parts

对侧相同
Both sides

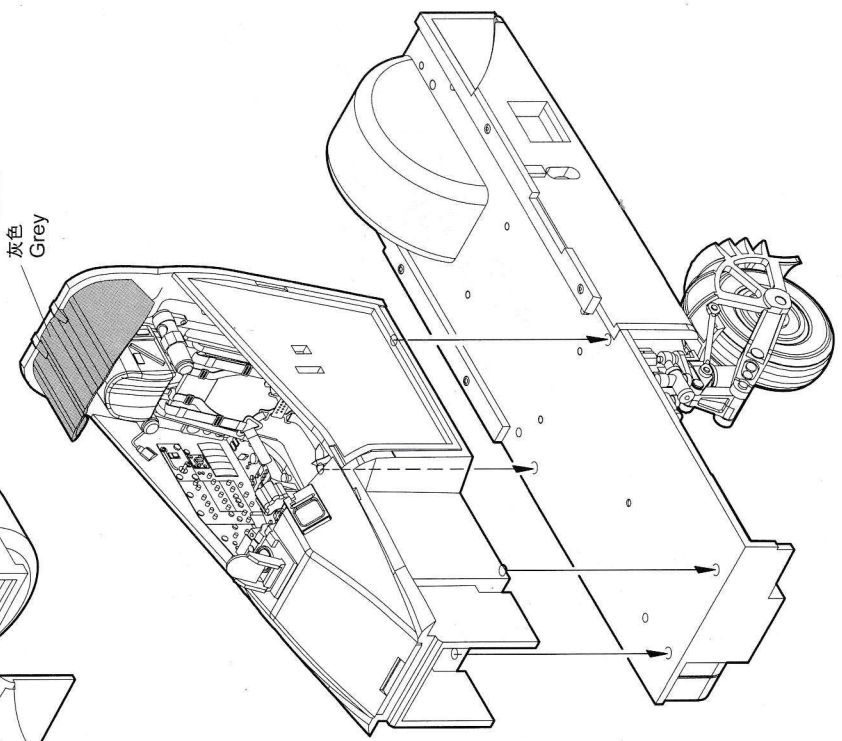
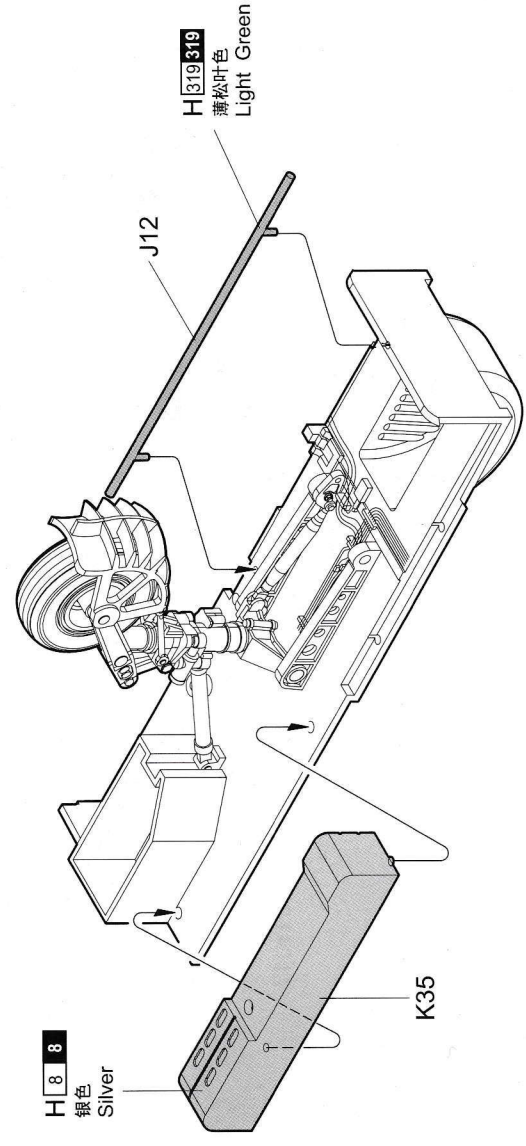
对侧相同
Both sides

对侧相同
Both sides

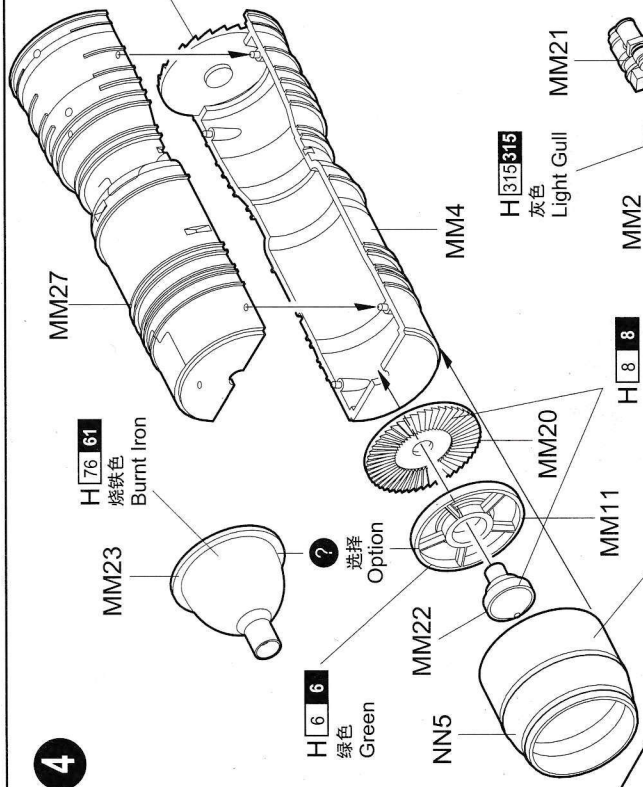
《前舱》
Nose gear cabin



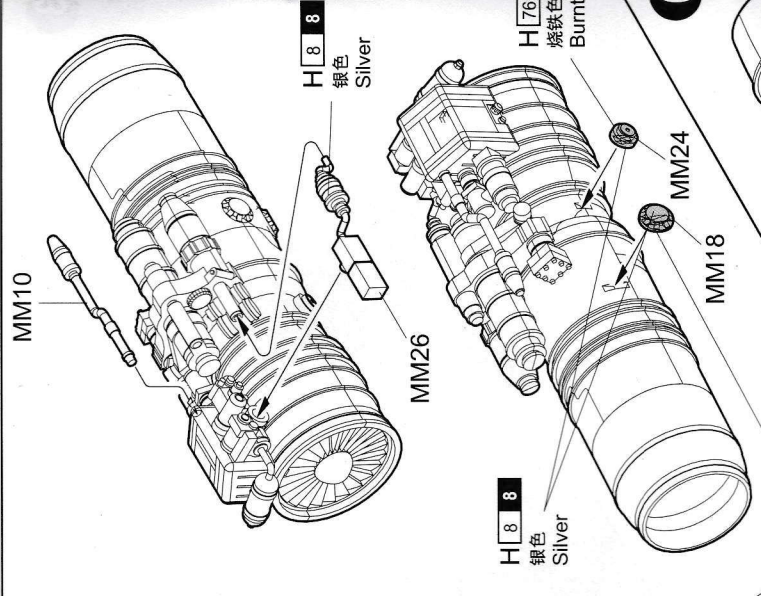
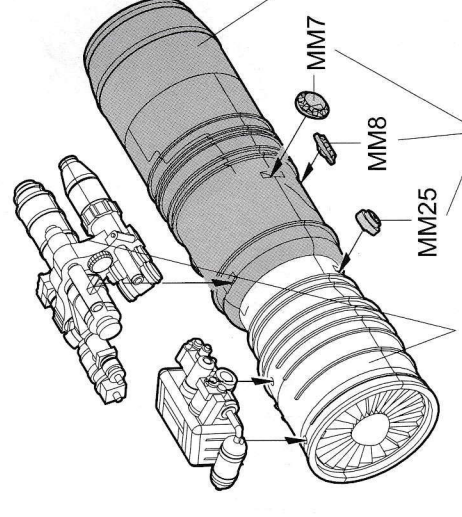
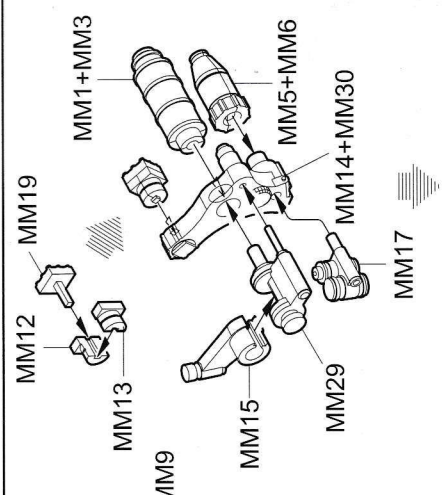
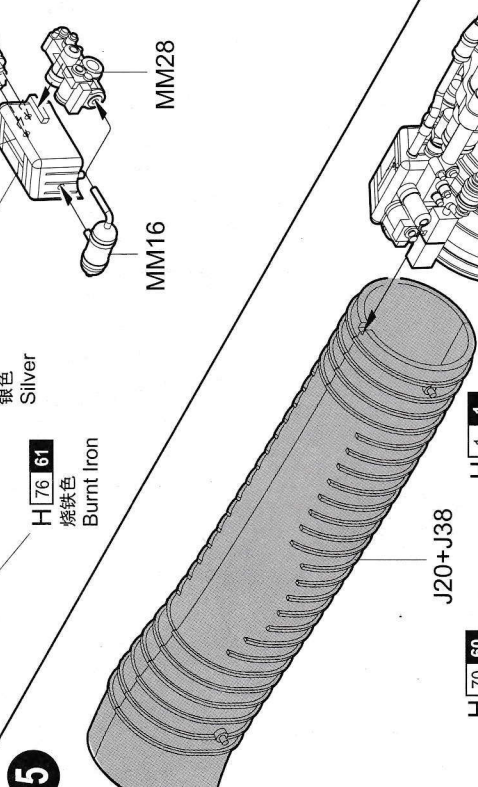
H 8 8 银色 Silver



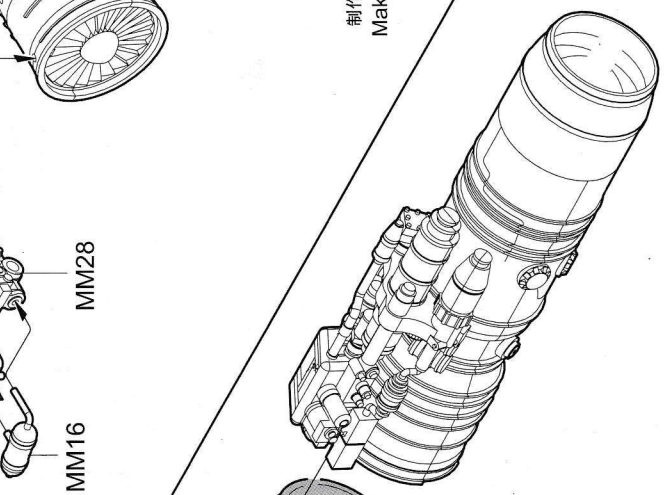
4



5



6



制作两组
Make two

《左侧进气道》
Left air intake

7

H 70 60
德国灰
RLM02 Gray

60% + 40%

H 1 1
白色
White

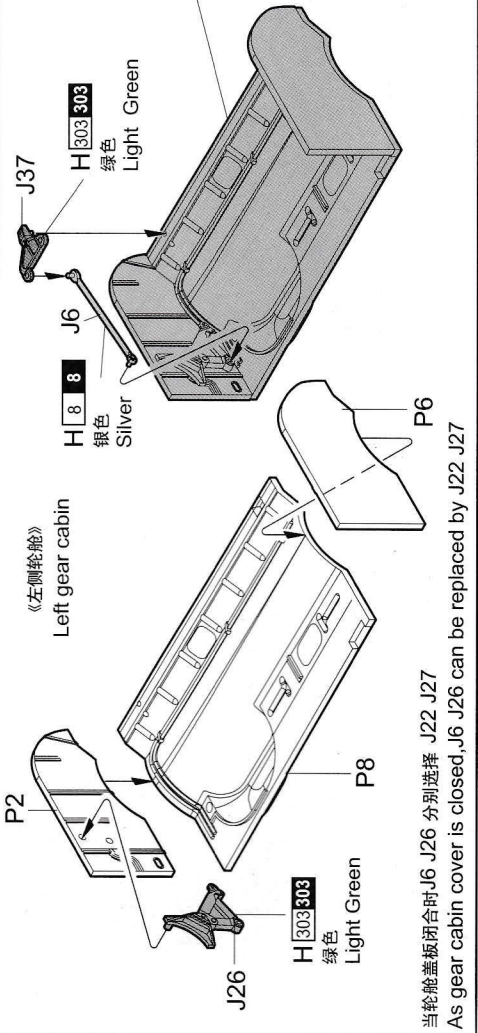
HH2

《左侧发动机》
Left engine

H 70 60
德国灰
RLM02 Gray

60% + 40%

H 1 1
白色
White



当舱盖板闭合时J6 J26 分别选择 J22 J27
As gear cabin cover is closed, J6, J26 can be replaced by J22, J27

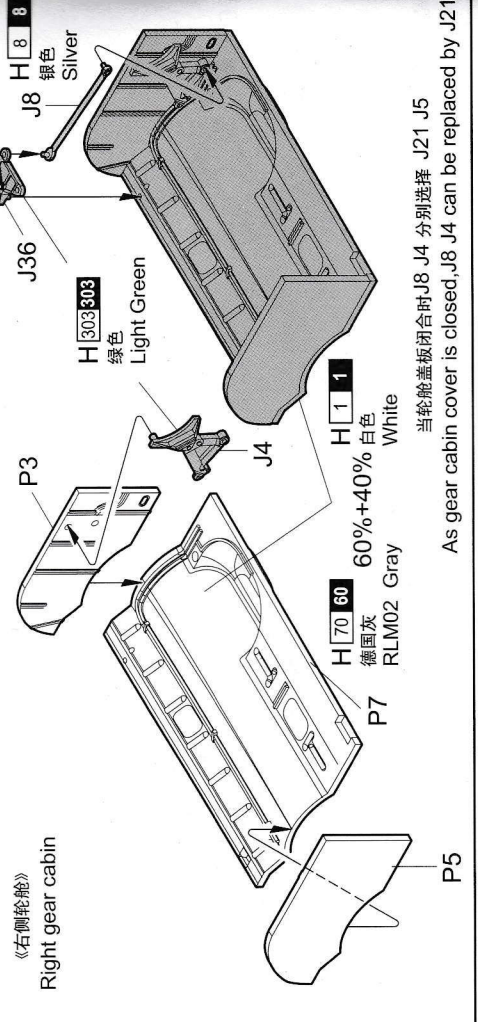
《左侧舱》
Left gear cabin

GG1

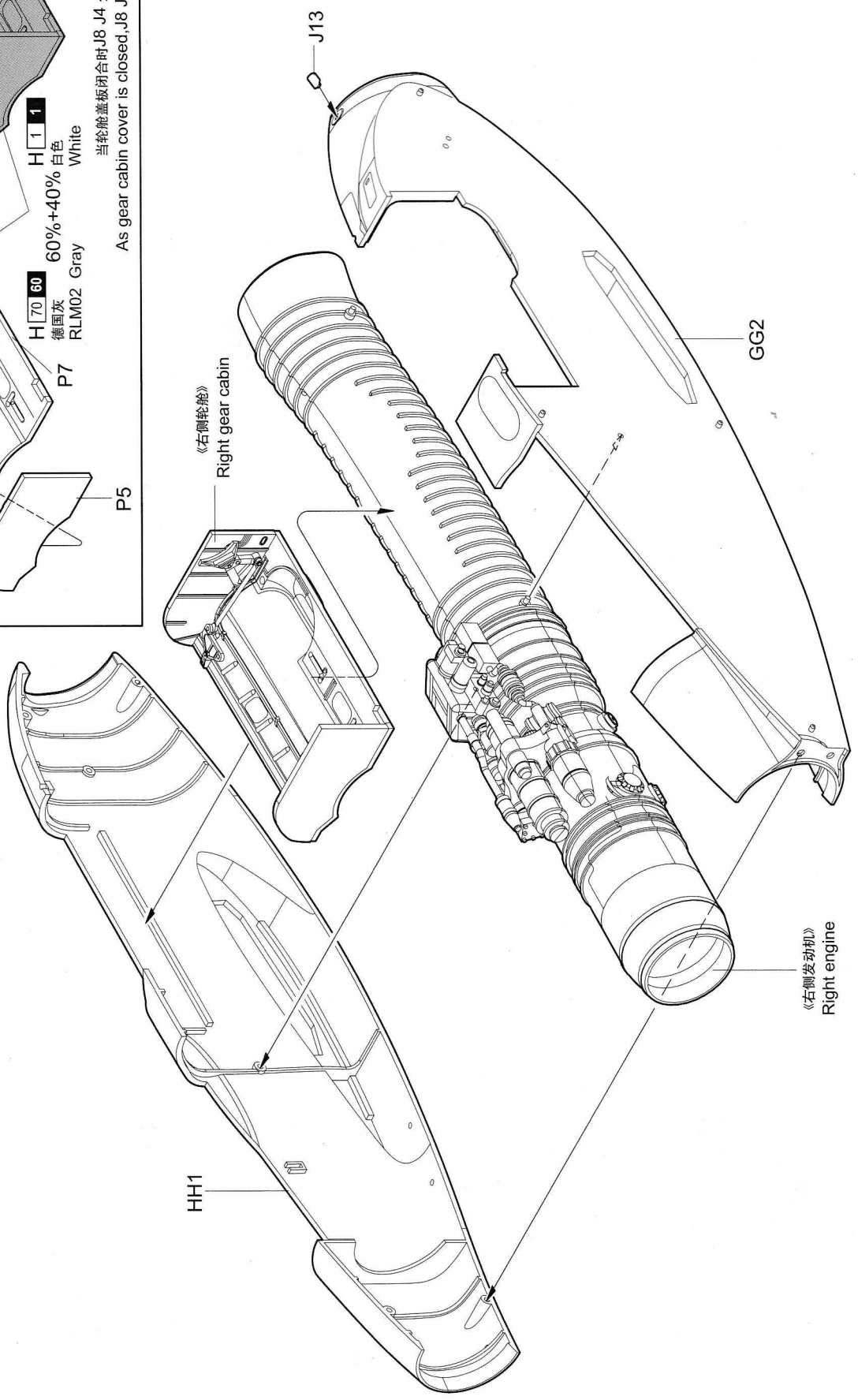
7

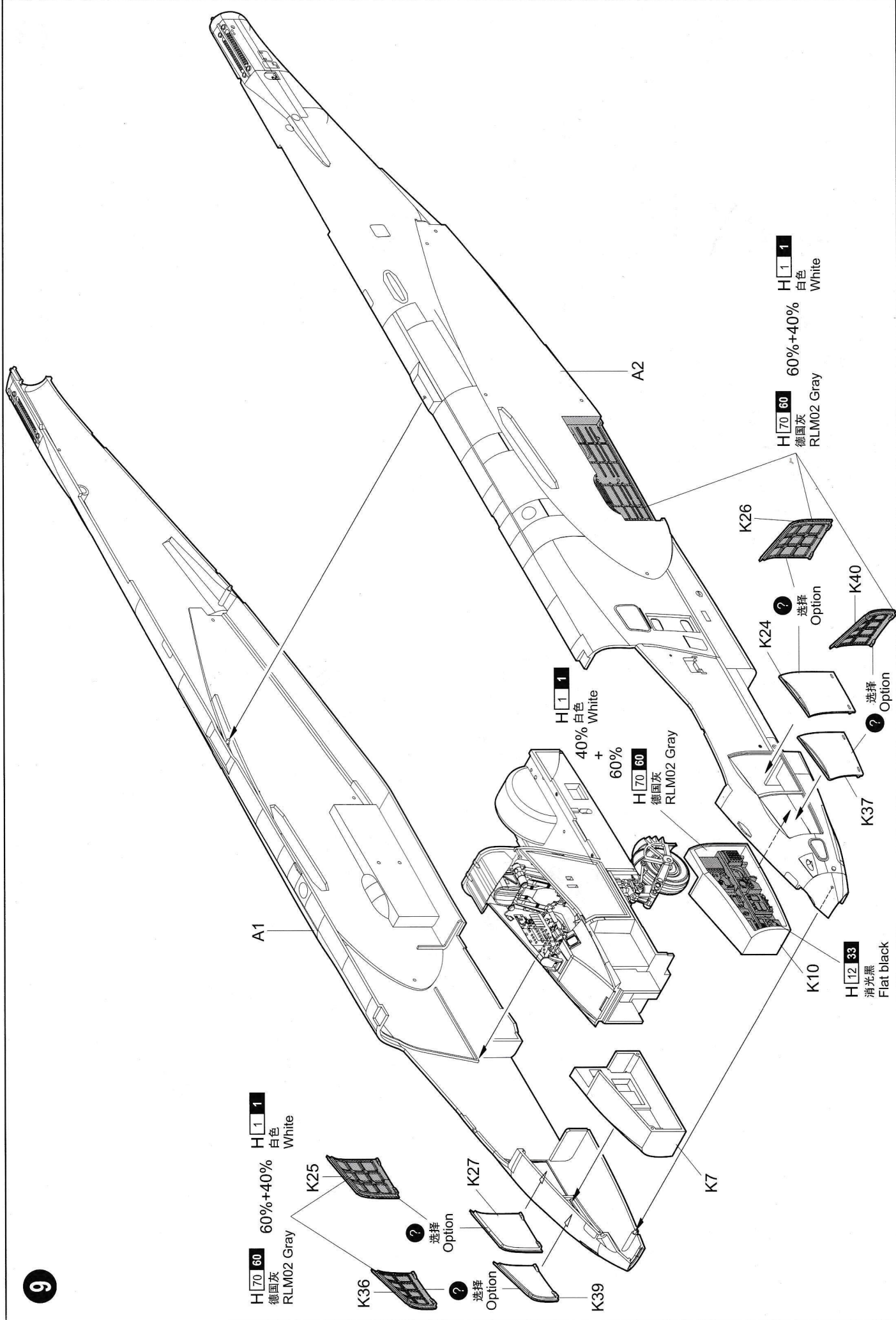
02276

《右侧进气道》
Right air intake



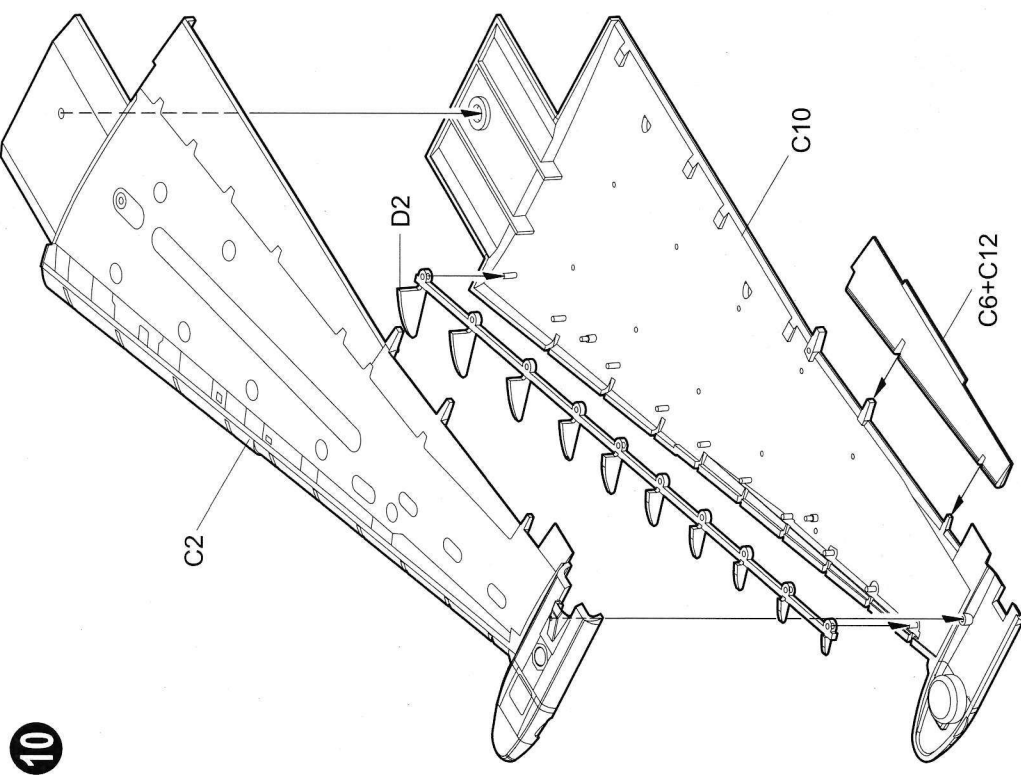
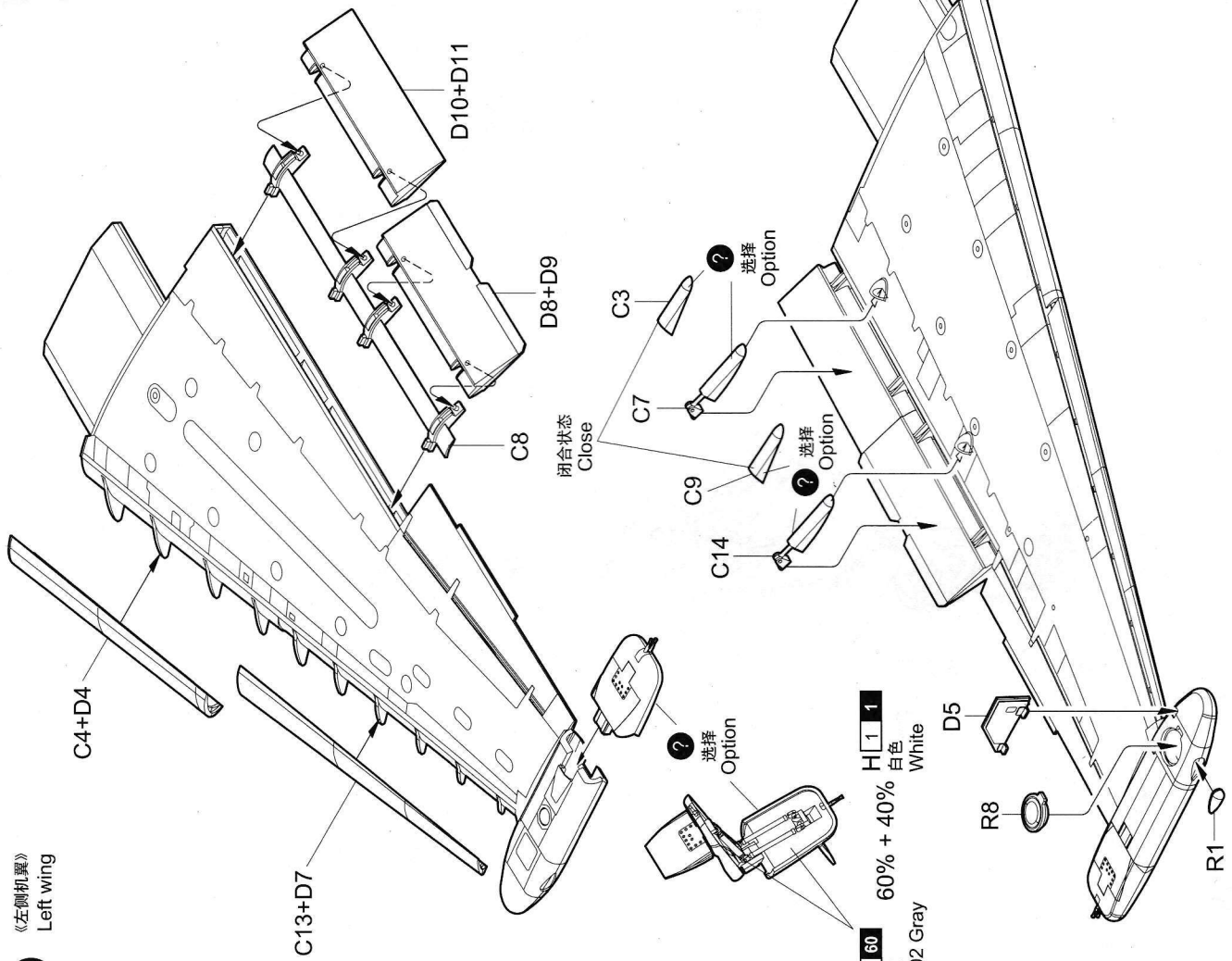
当舱盖板闭合时 J8, J4 分别选择 J21, J5
As gear cabin cover is closed, J8, J4 can be replaced by J21, J5



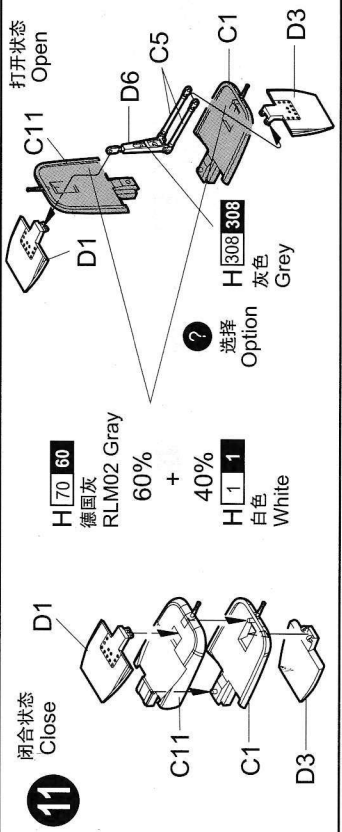


《左侧机翼》
Left wing

12



10



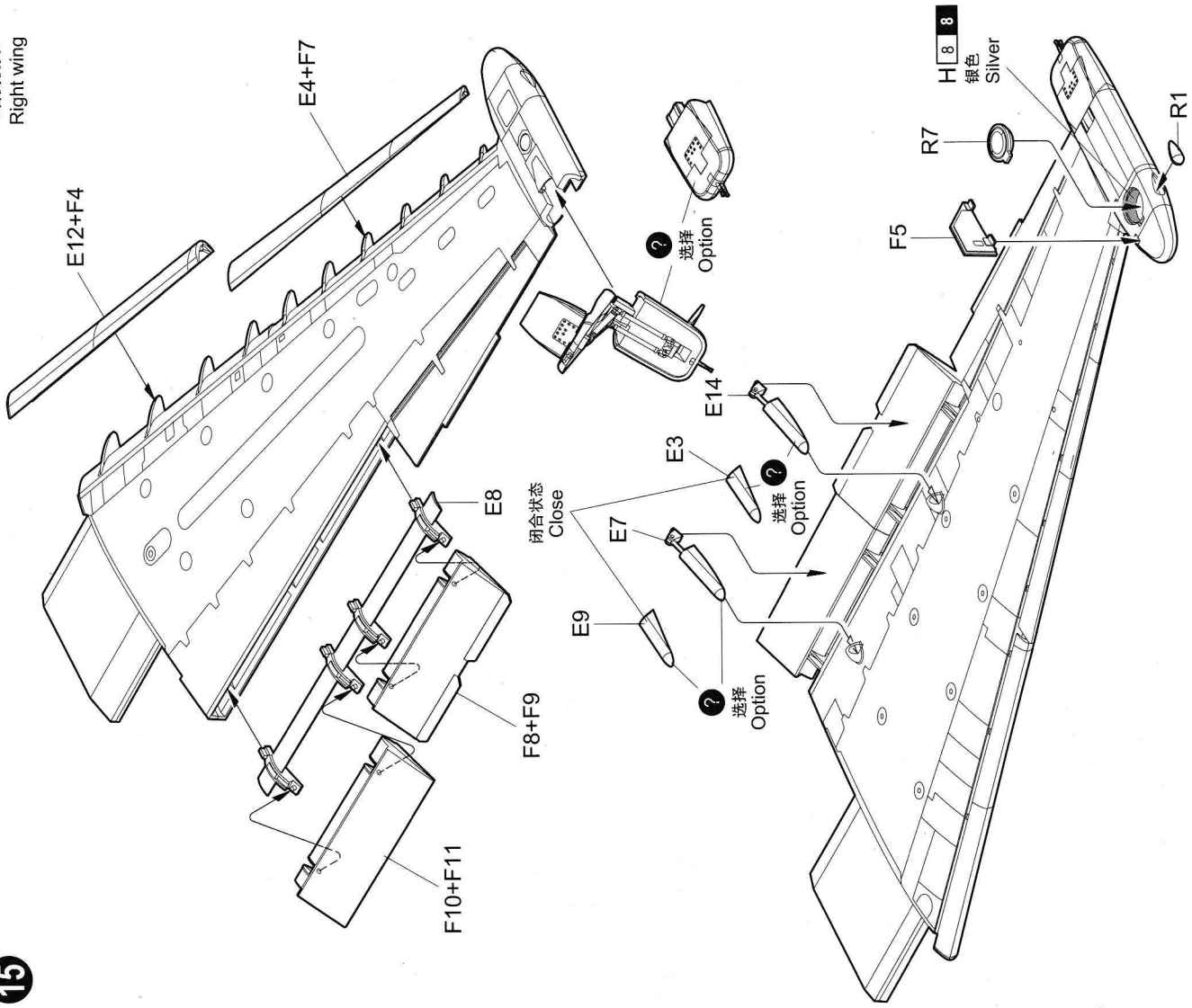
11

10

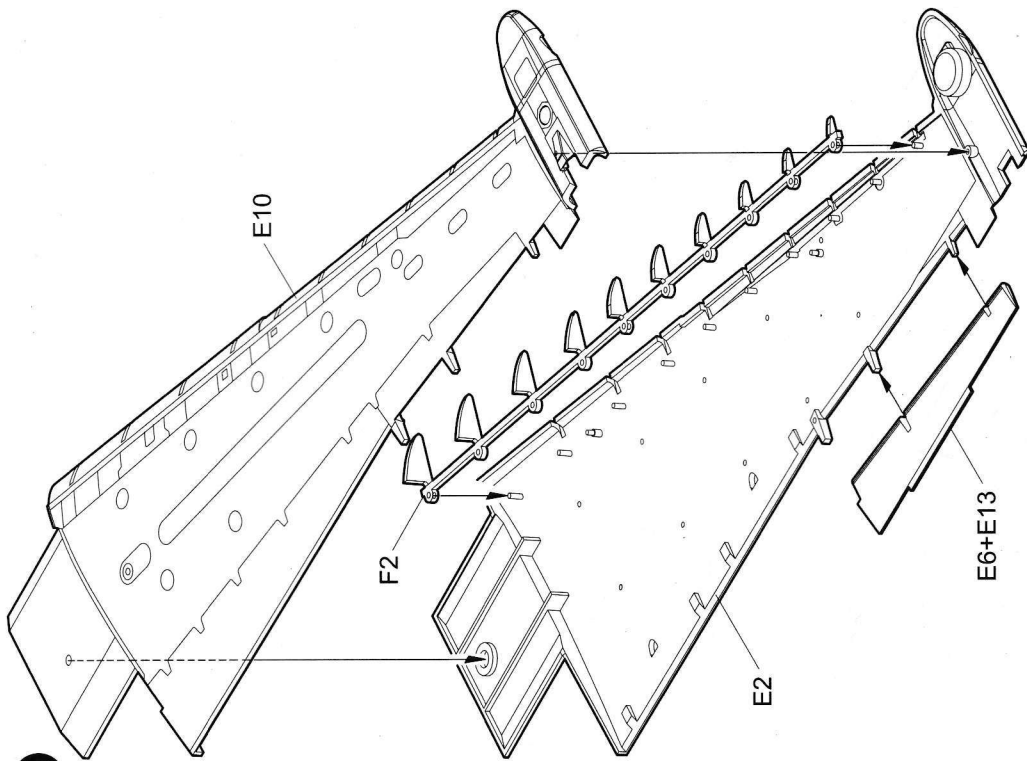
02276

《右侧机翼》
Right wing

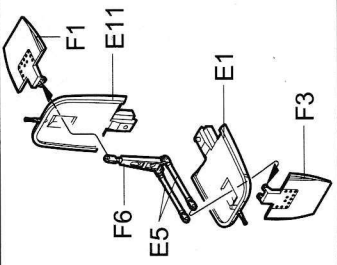
15



13

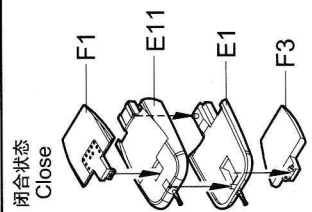


打开状态
Open

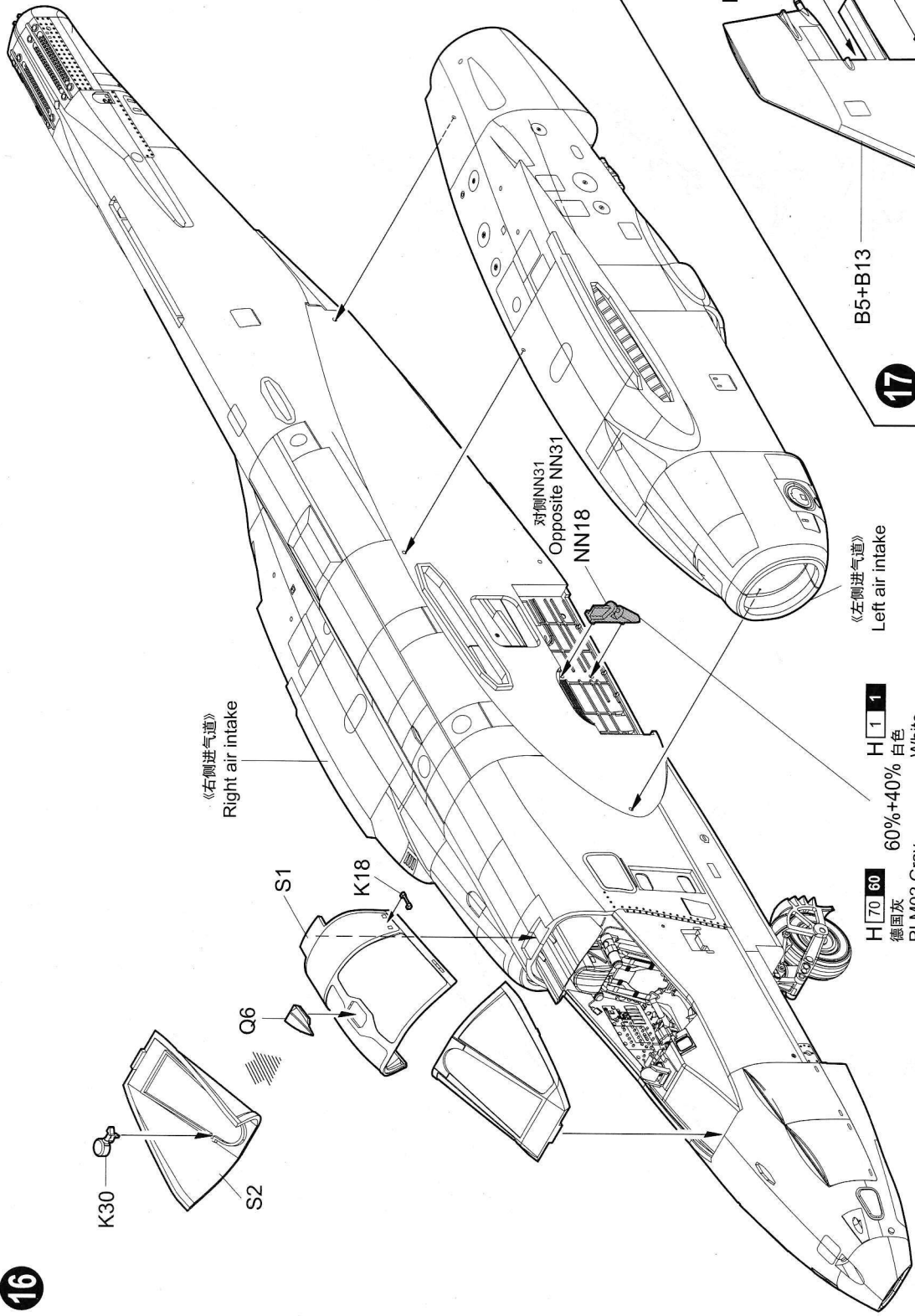


14

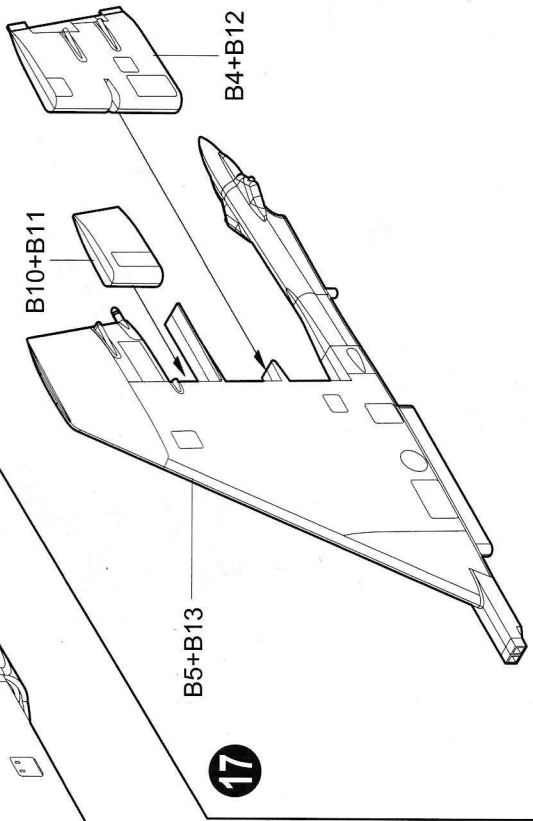
闭合状态
Close



16

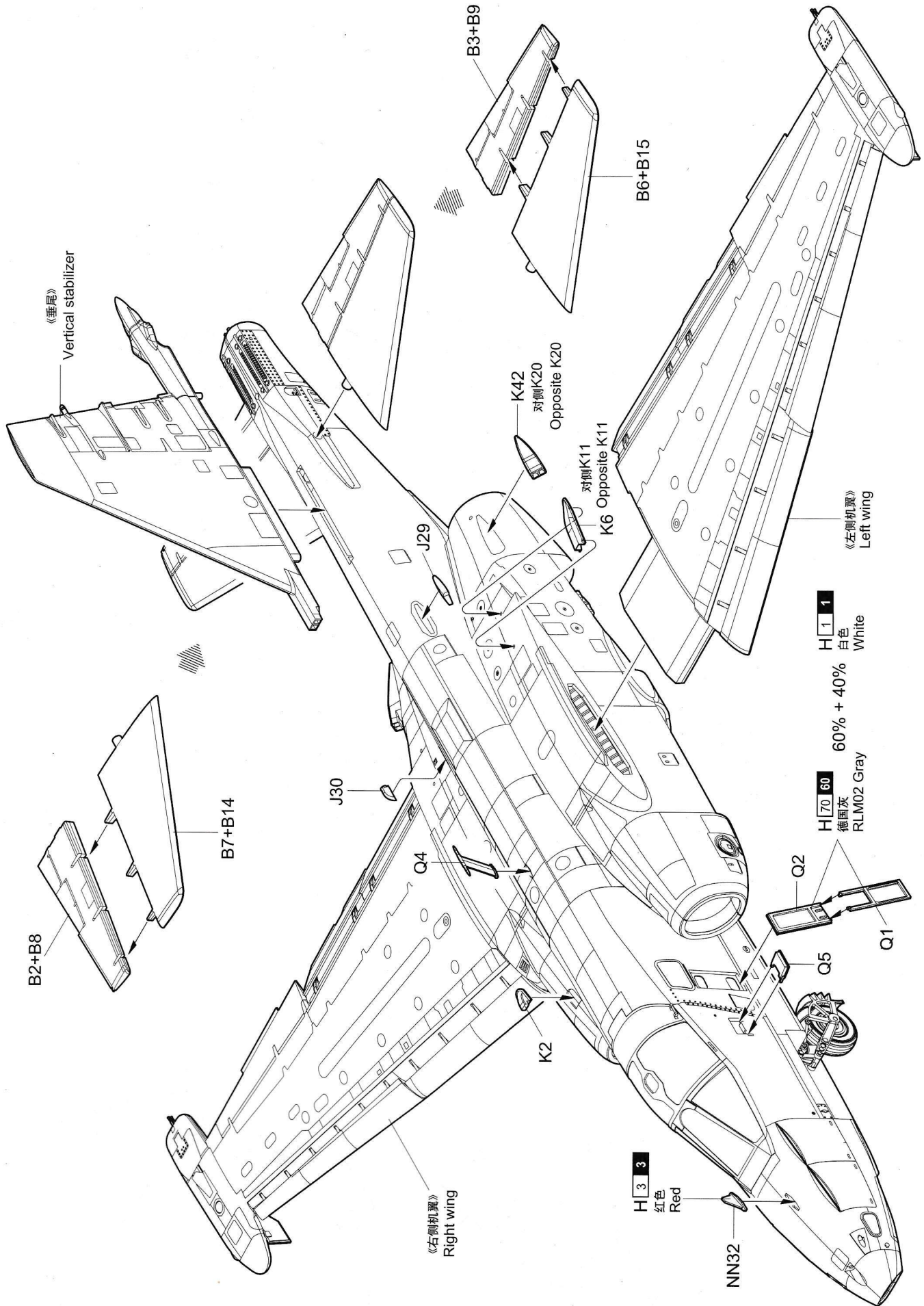


17



02276

12



《垂直尾翼》
Vertical stabilizer

B2+B8

B7+B14

B3+B9

B6+B15

J30

Q4

K2

《右侧机翼》
Right wing

K42
对侧K20
Opposite K20

对侧K11
Opposite K11
K6

《左侧机翼》
Left wing

H 3 3
红色
Red

NN32

H 70 60
德国灰
RLM02 Gray

H 1 1
白色
White

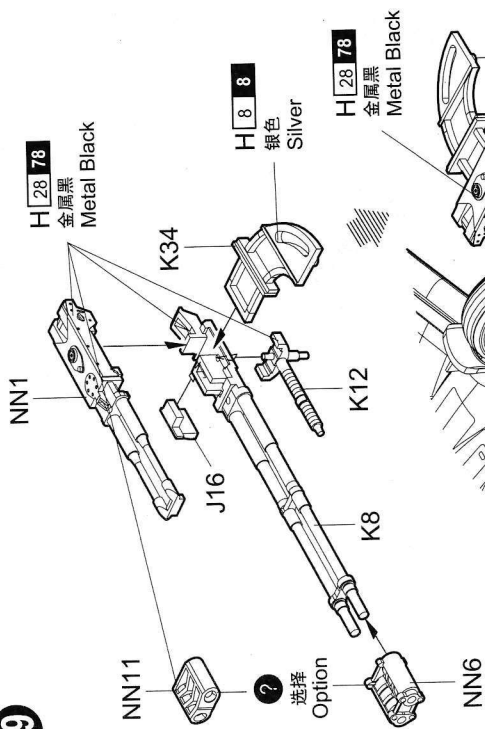
60% + 40%

Q2

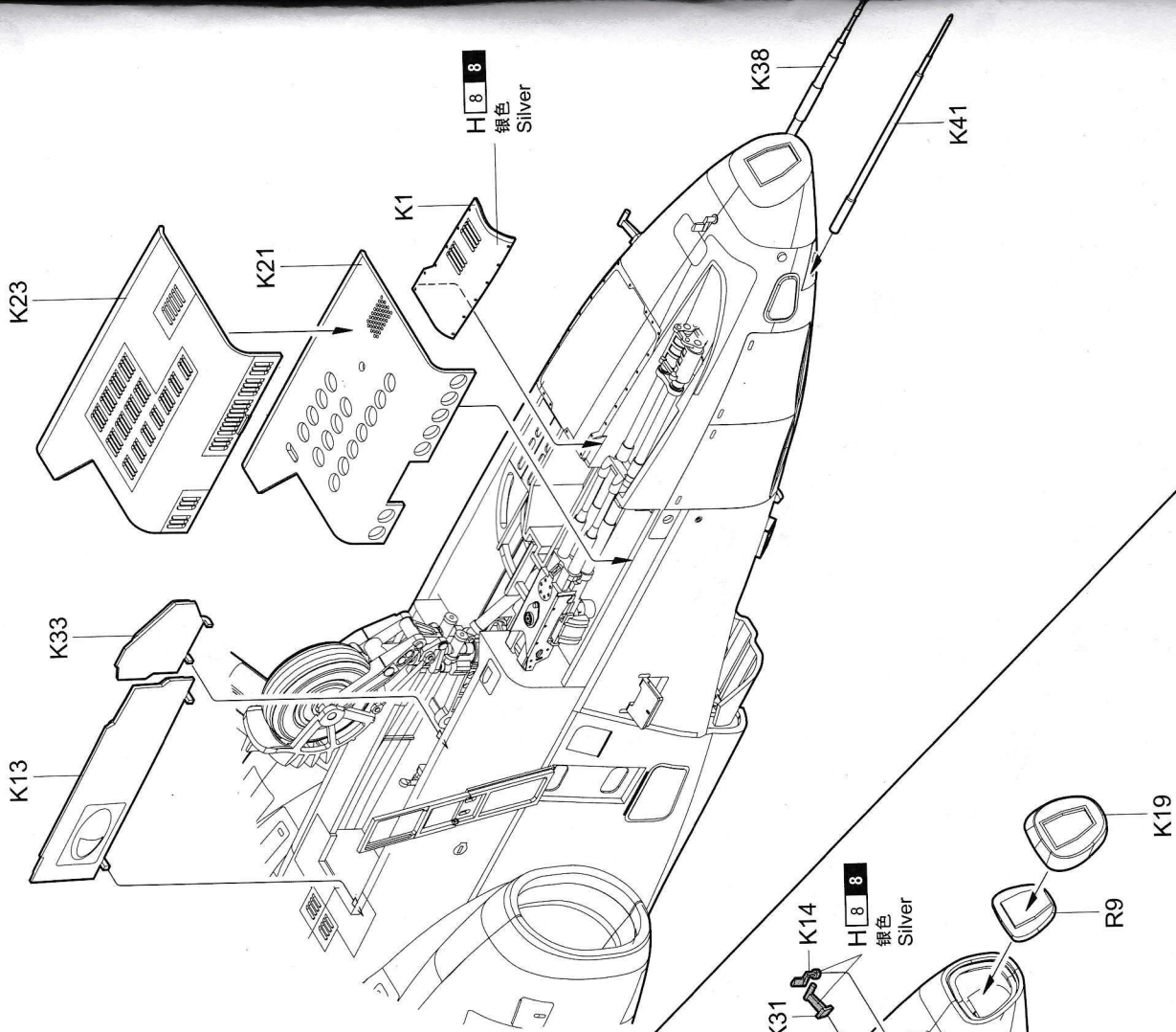
Q1

Q5

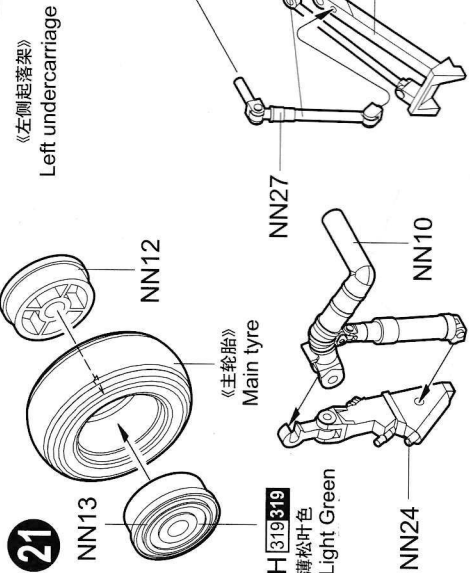
19



20



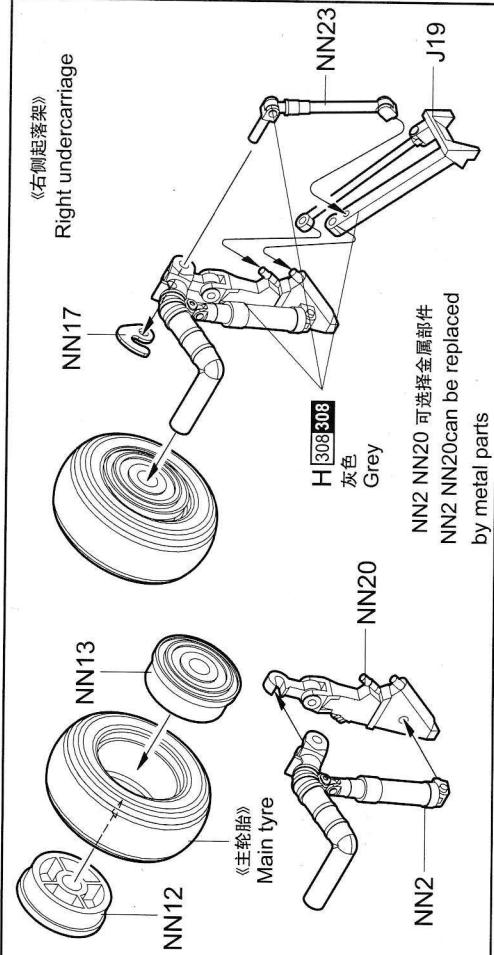
21



H 319 319
薄松叶色
Light Green

NN10 NN24 可选择金属部件
NN10 NN24 can be replaced
by metal parts

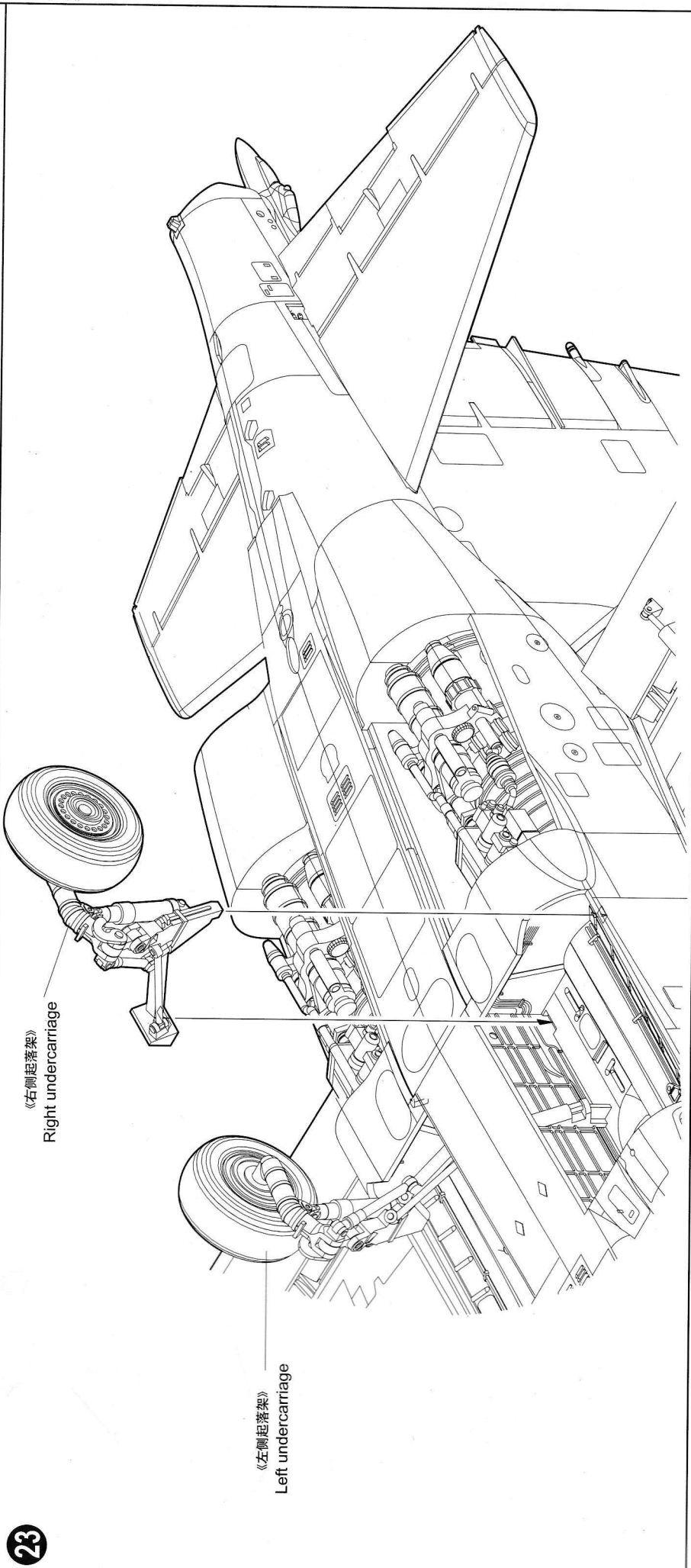
22



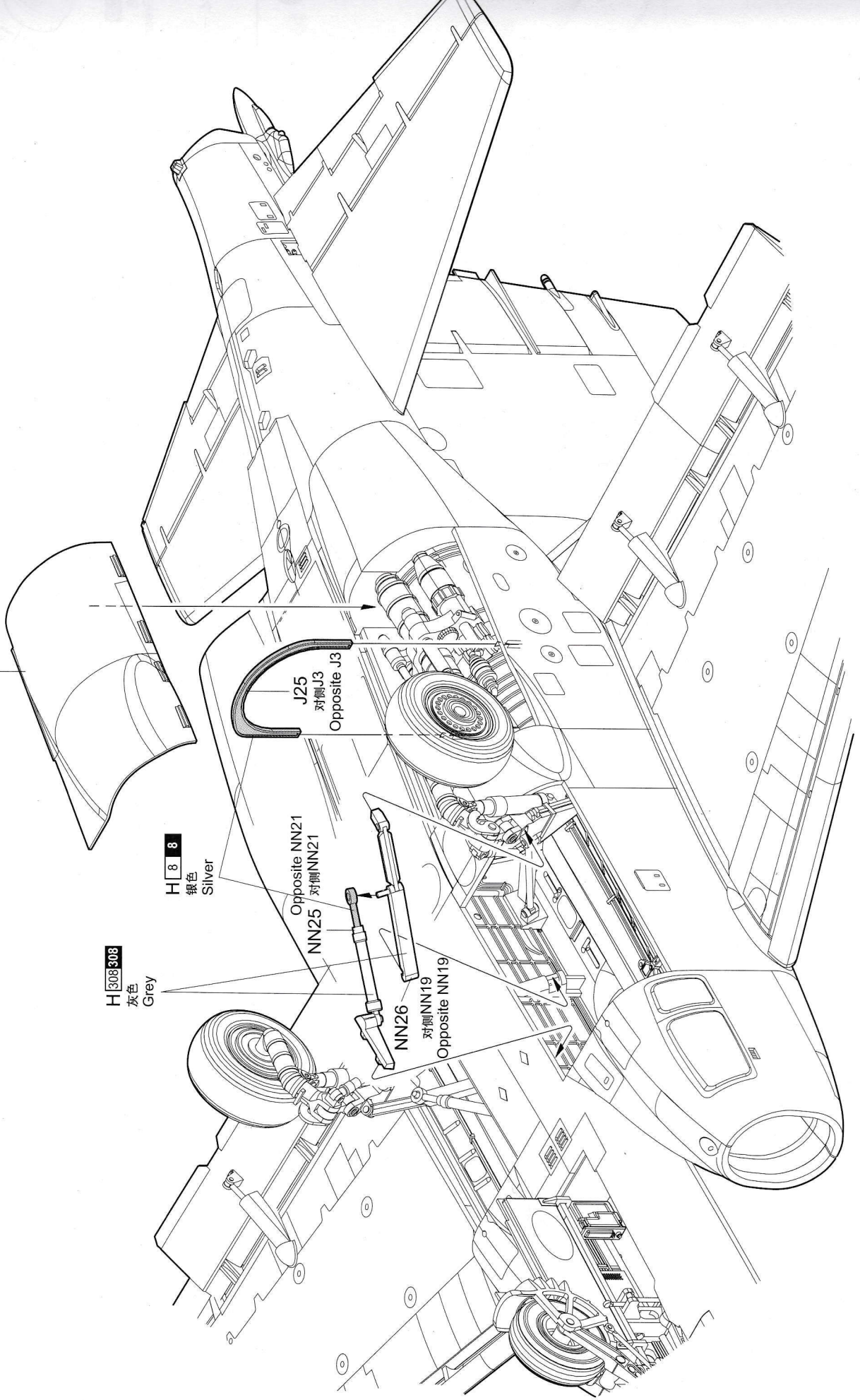
H 308 308
灰色
Grey

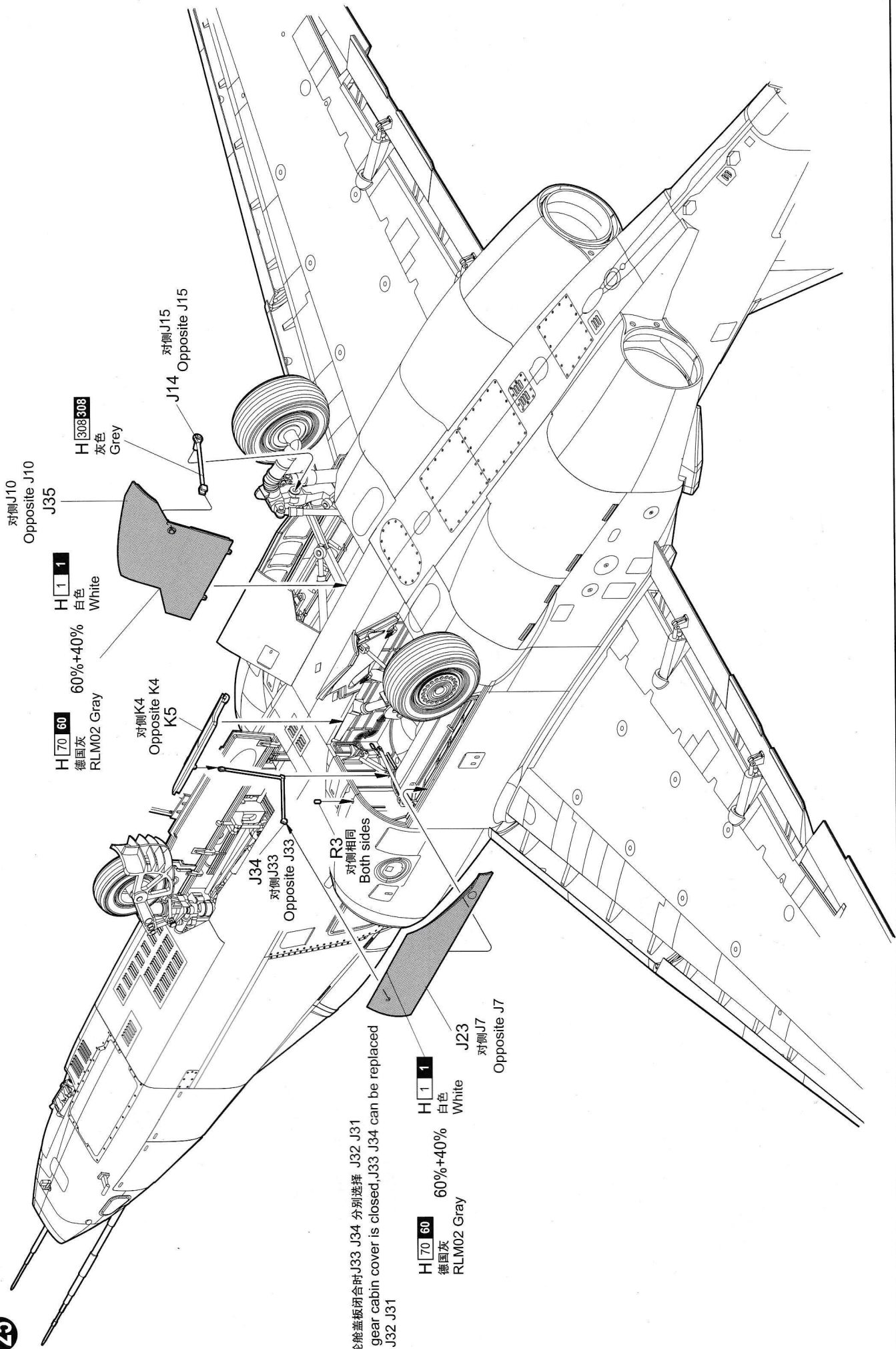
NN2 NN20 可选择金属部件
NN2 NN20 can be replaced
by metal parts

23



P4 对侧P1
Opposite P1

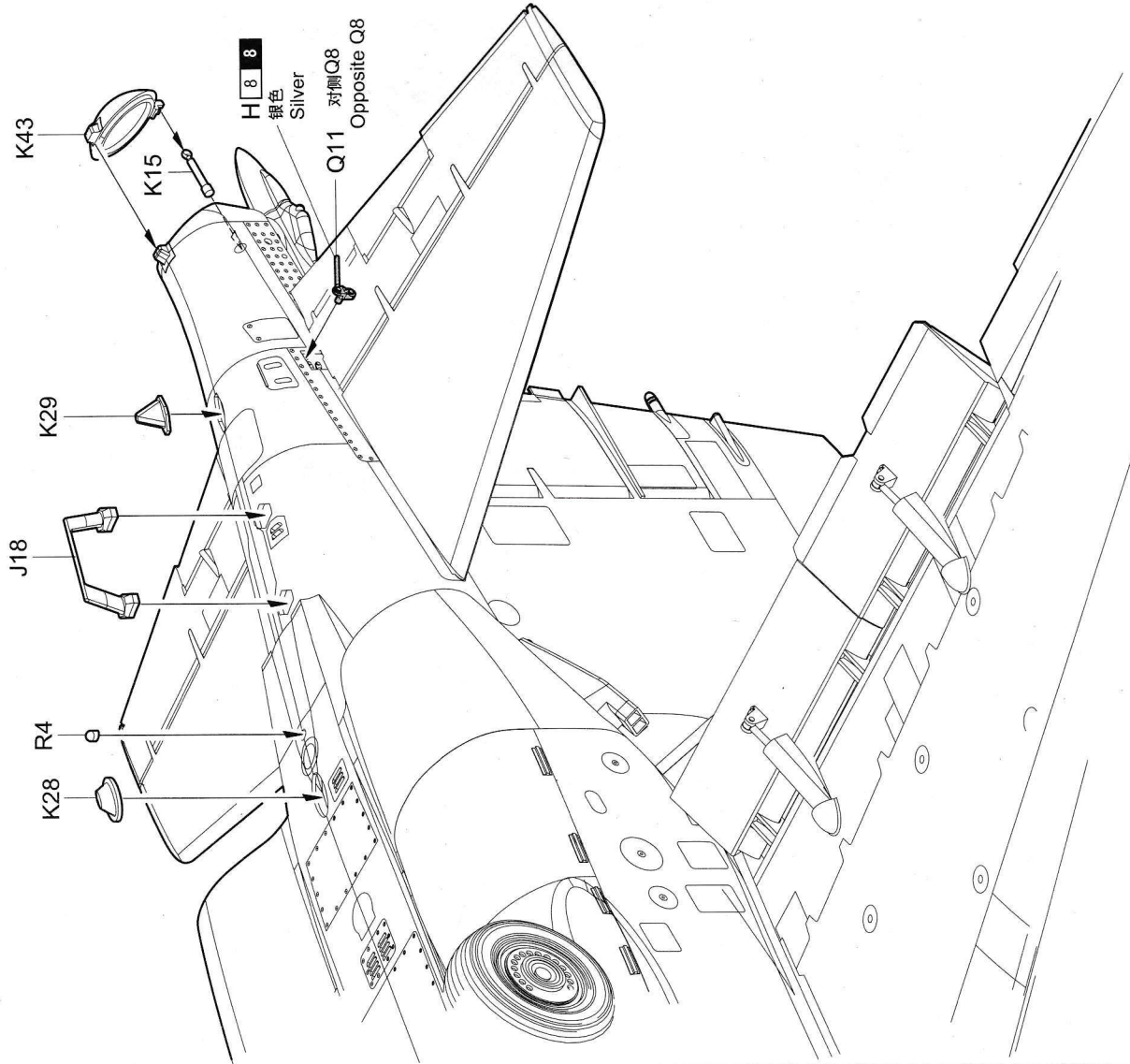




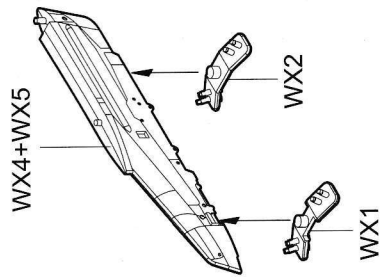
当轮毂盖板闭合时J33 J34 分别选择 J32 J31
 As gear cabin cover is closed, J33 J34 can be replaced
 by J32 J31

H 70 60 德国灰 RLM02 Gray
 60%+40% 白色 White
 H 1 1 白色 White

26

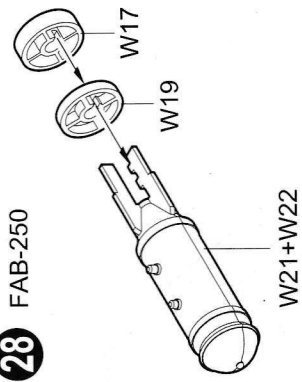


27



For: FAB-250, ZB-500, FAB-500, B-17L
 MBD2-67U+FAB-100, PTB-1150
 S-25L, S-250FM, S-250F, UB-32M/57
 UB-8M1, UPK-23/250, KMGU-2
 KAB-500L, KAB-500Ki, 9-M120

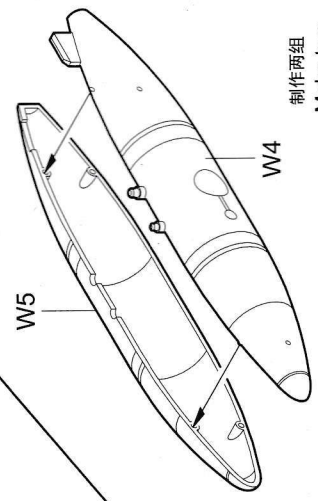
28



制作两组
 Make two

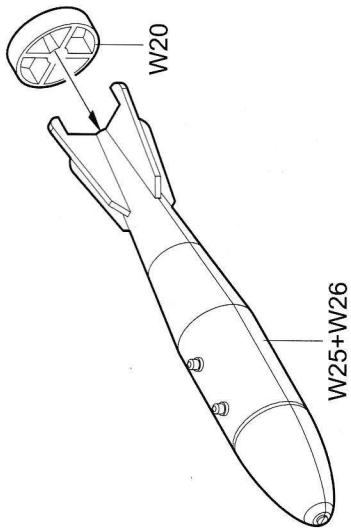
29

ZB-500



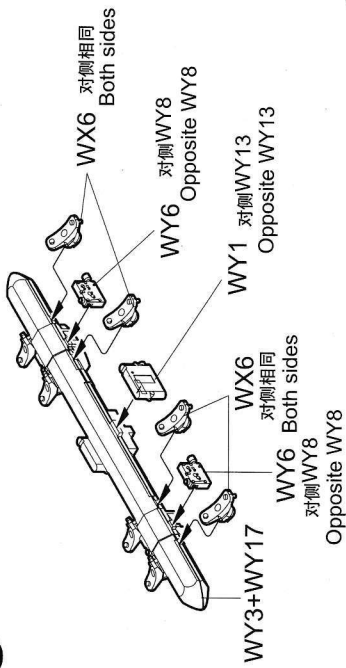
制作两组
 Make two

30 FAB-500

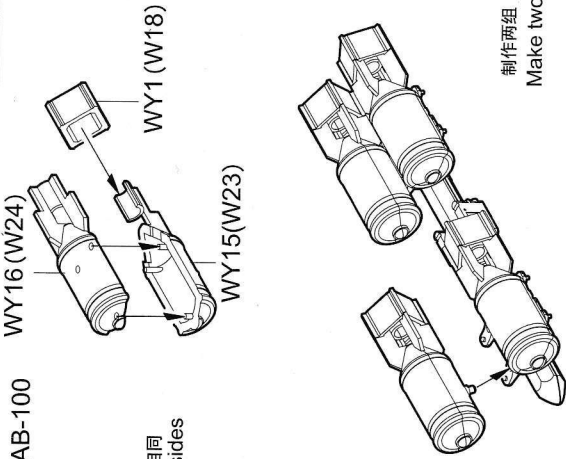


制作两组
Make two

31 MBD2-67U

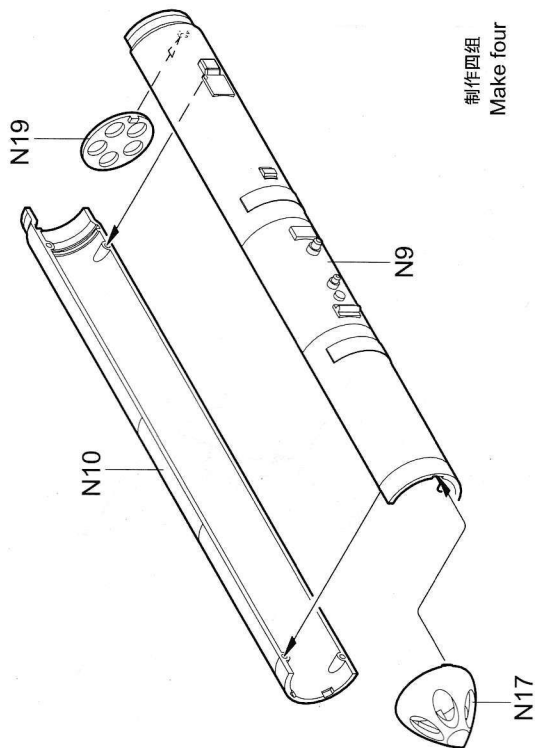


FAB-100



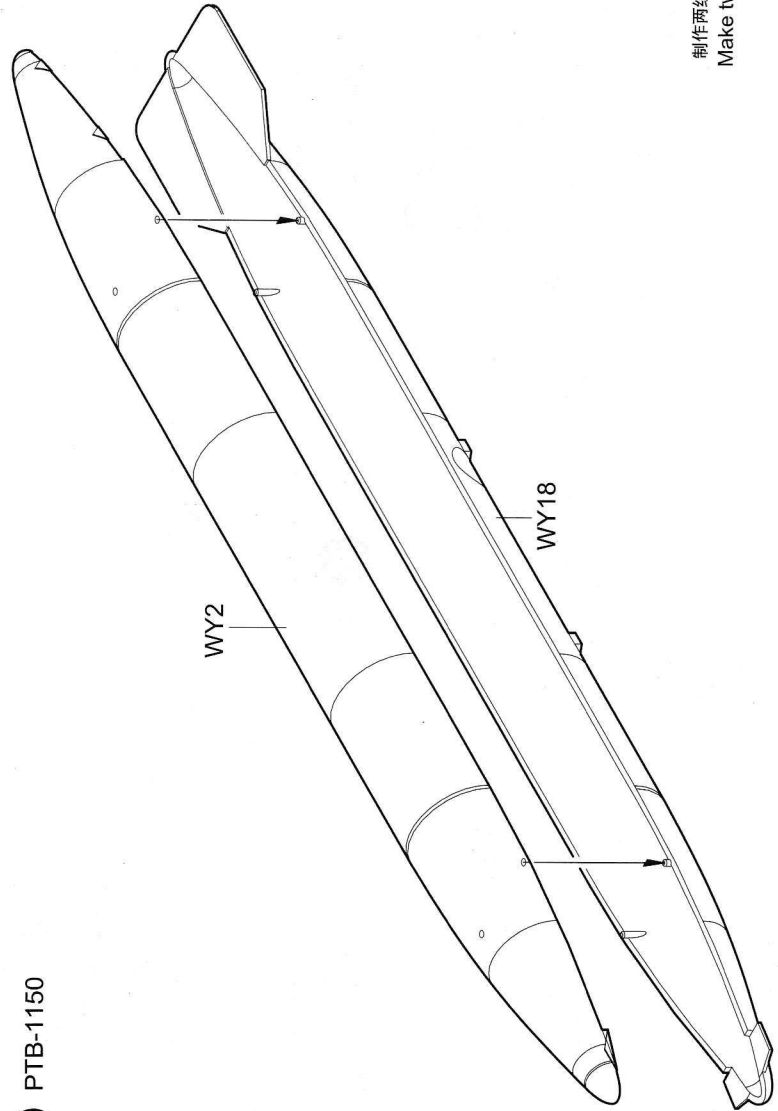
制作两组
Make two

32 B-17L



制作四组
Make four

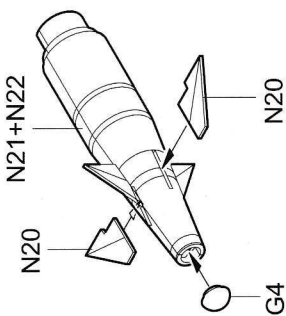
33 PTB-1150



制作两组
Make two

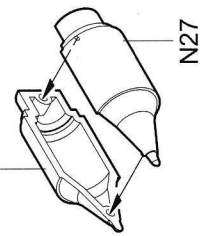
S-25L

34



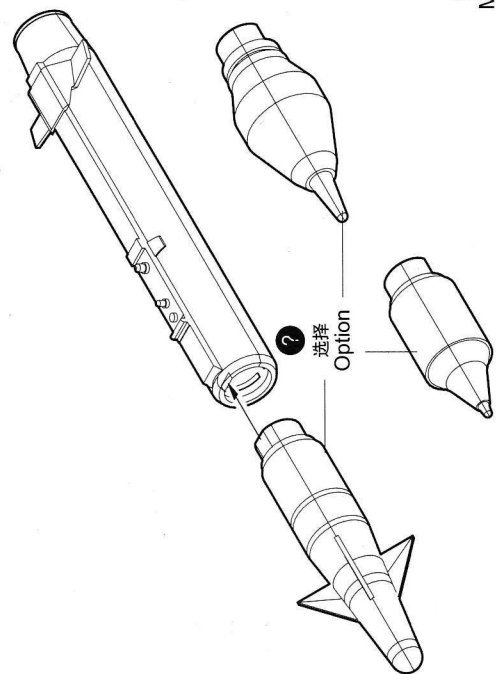
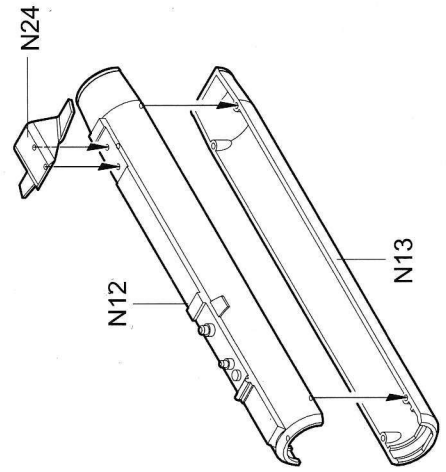
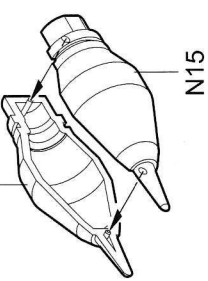
S-25OFM

N28



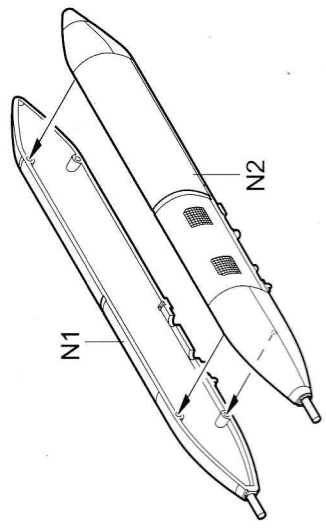
S-25OF

N14



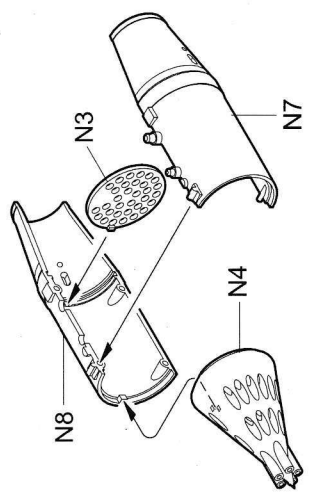
制作四组
Make four

37 UPK-23/250



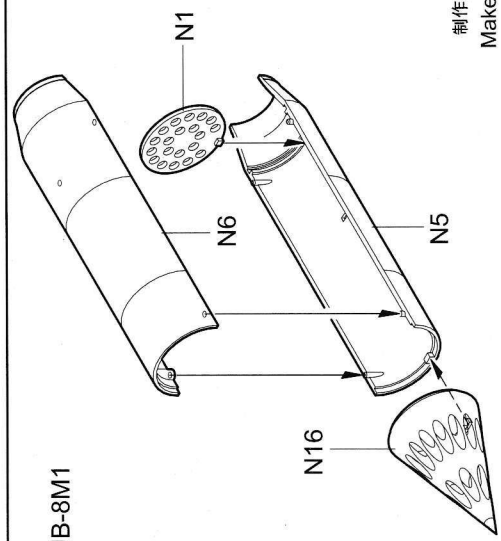
制作四组
Make four

35 UB-32M/57



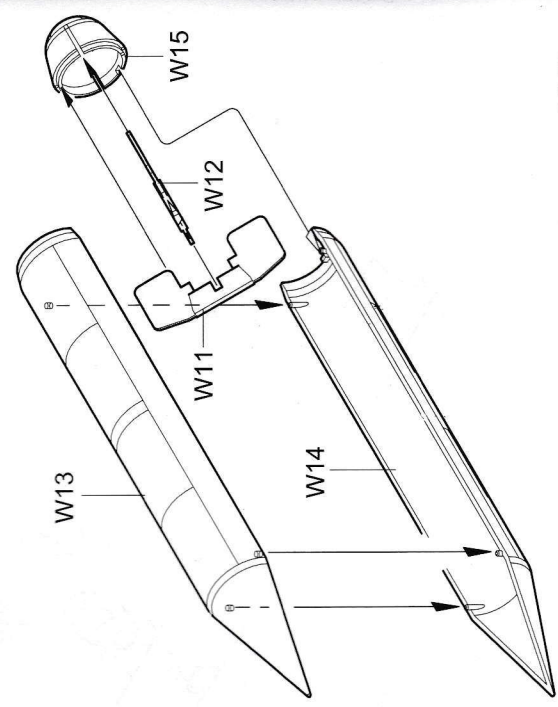
制作四组
Make four

36 UB-8M1



制作四组
Make four

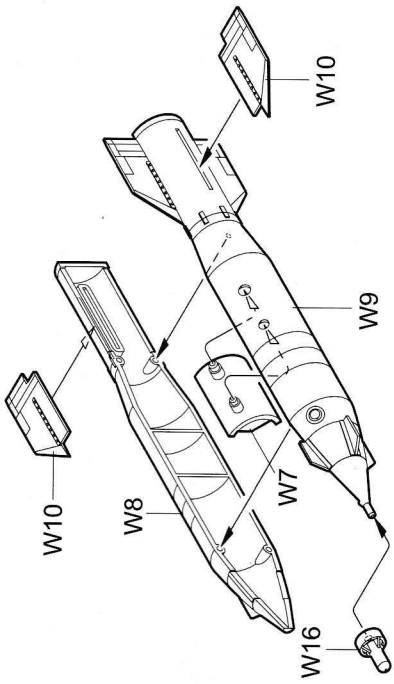
38 KMGU-2



制作两组
Make two

39

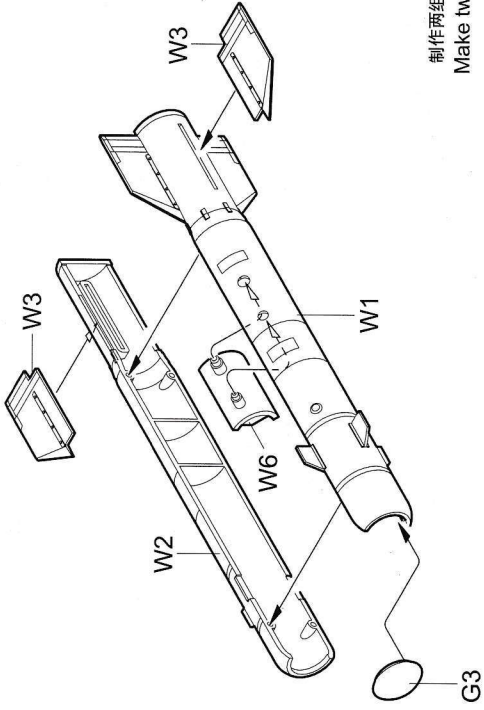
KAB-500L



制作两组
Make two

40

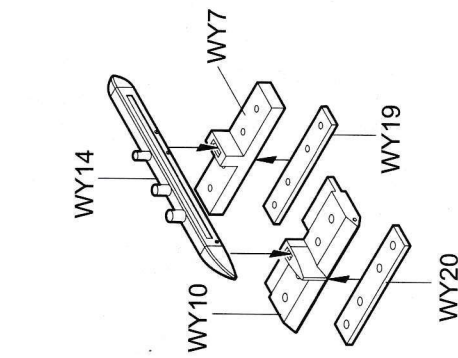
KAB-500Kr



制作两组
Make two

41

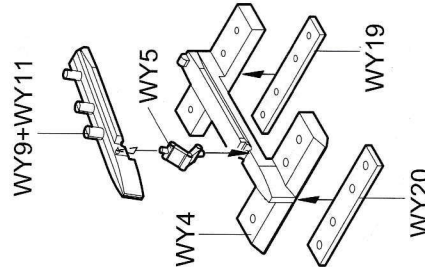
9-M120



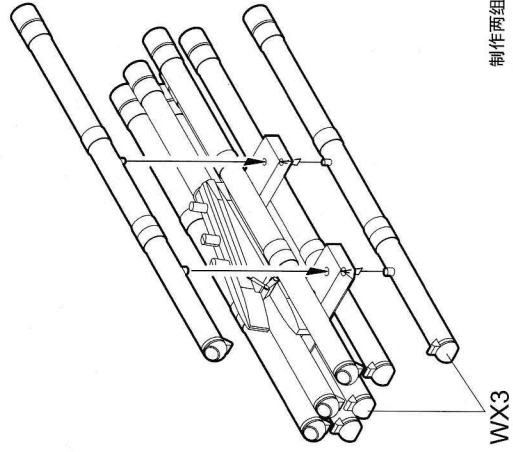
制作两组
Make two

闭合状态
Close

2
选择
Option

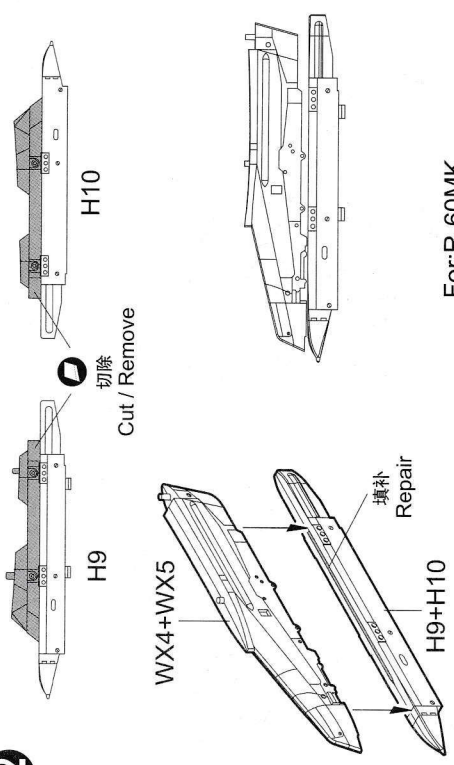


打开状态
Open



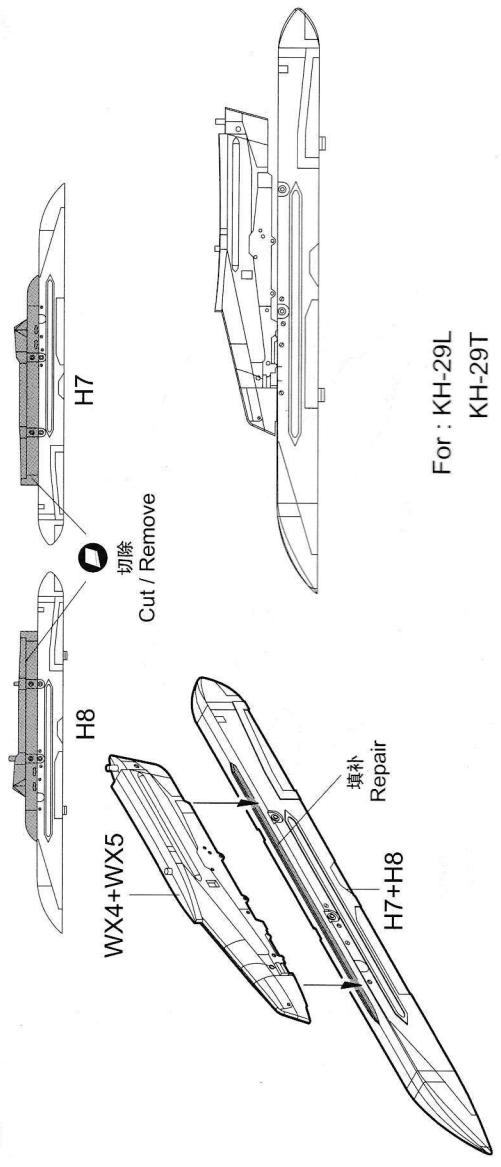
制作两组
Make two

42



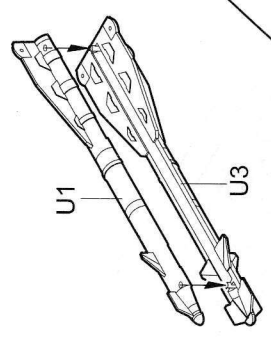
For:R-60MK

43



For : KH-29L
KH-29T

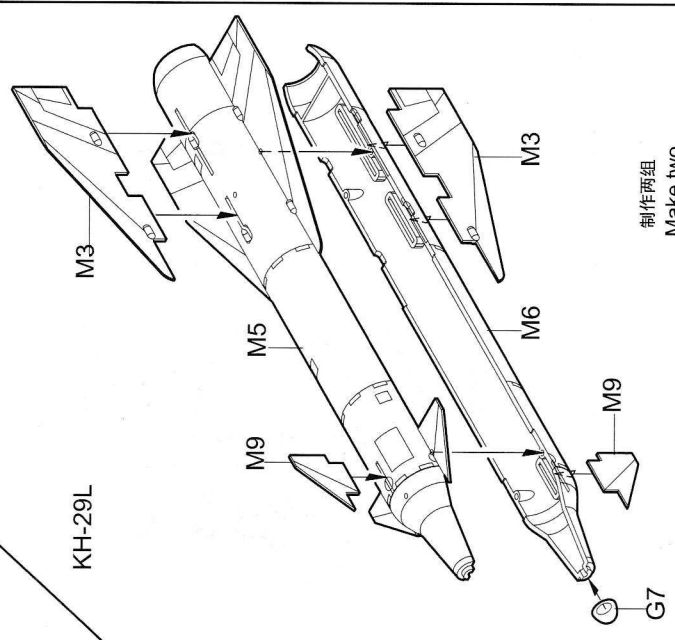
44



R-60MK

制作八组
Make eight

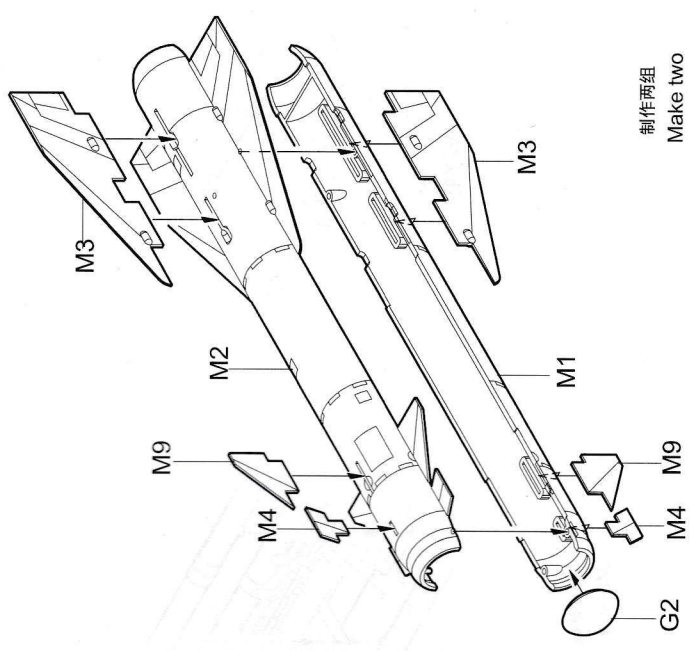
45



KH-29L

制作两组
Make two

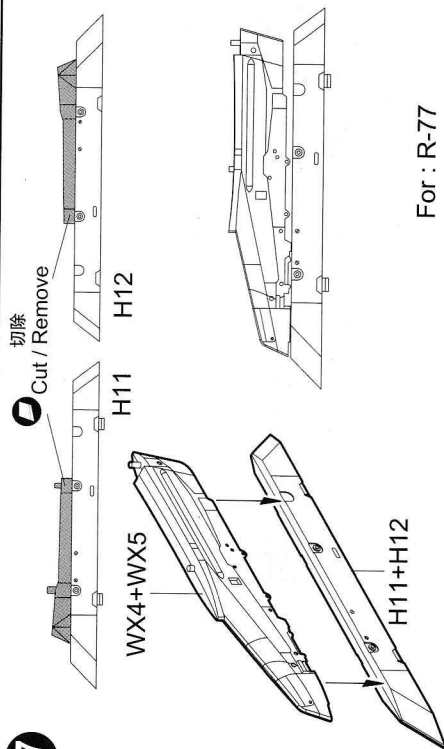
46



KH-29T

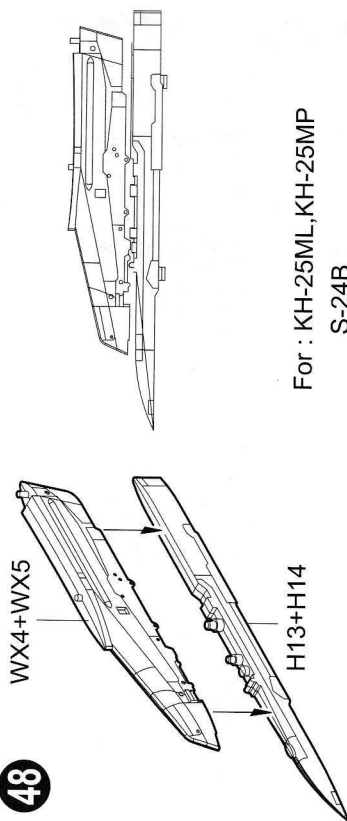
制作两组
Make two

47



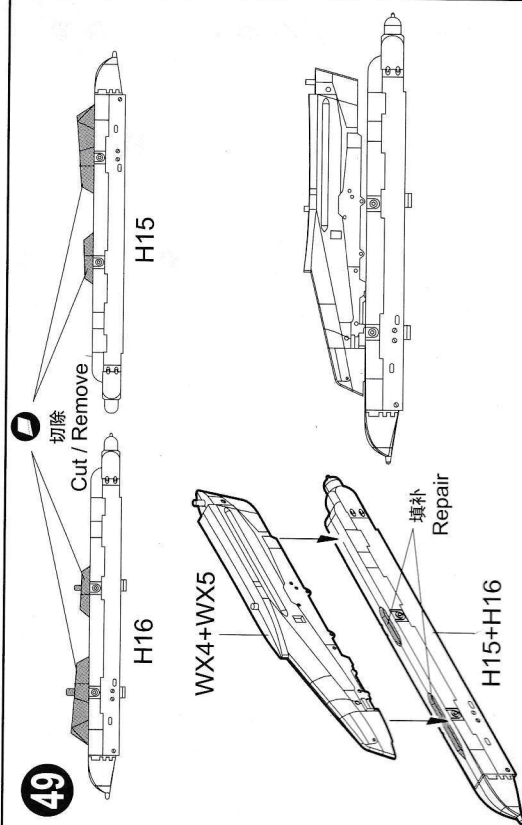
For : R-77

48

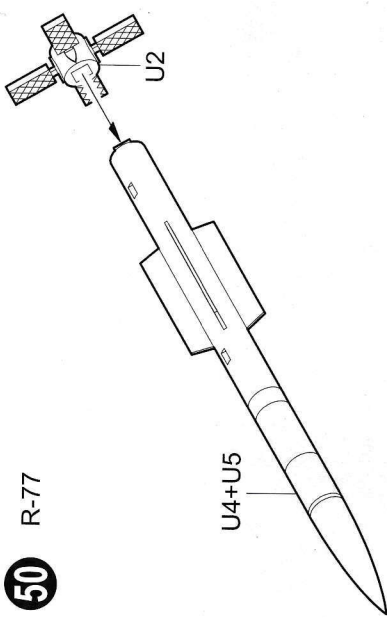


For : KH-25ML, KH-25MP
S-24B

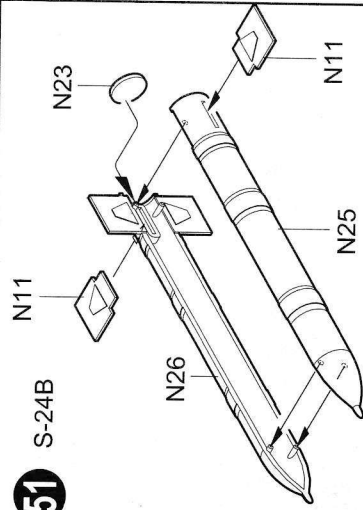
49



50



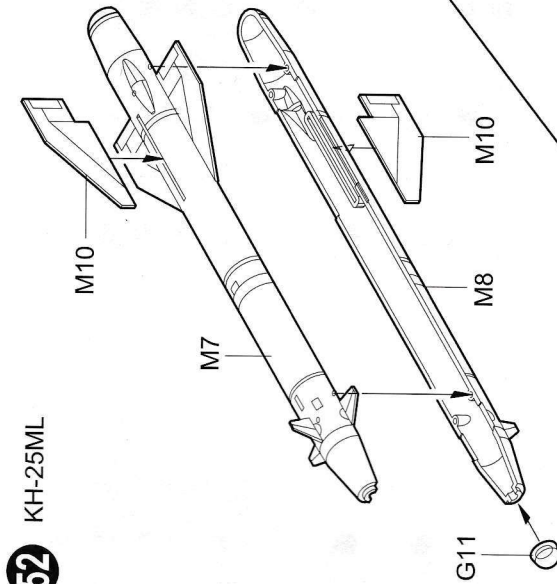
51



制作八组
Make eight

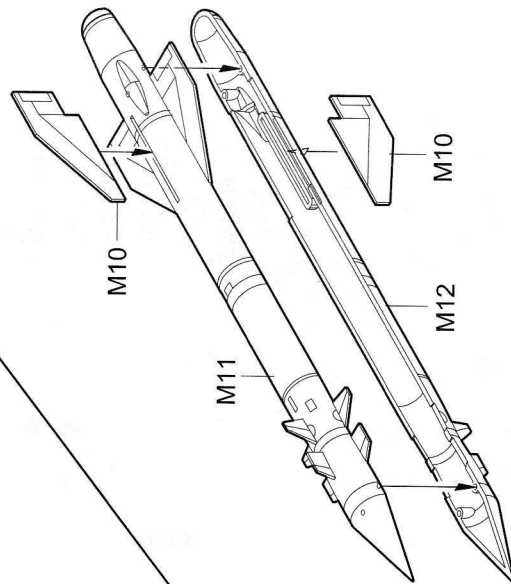
制作四组
Make four

52



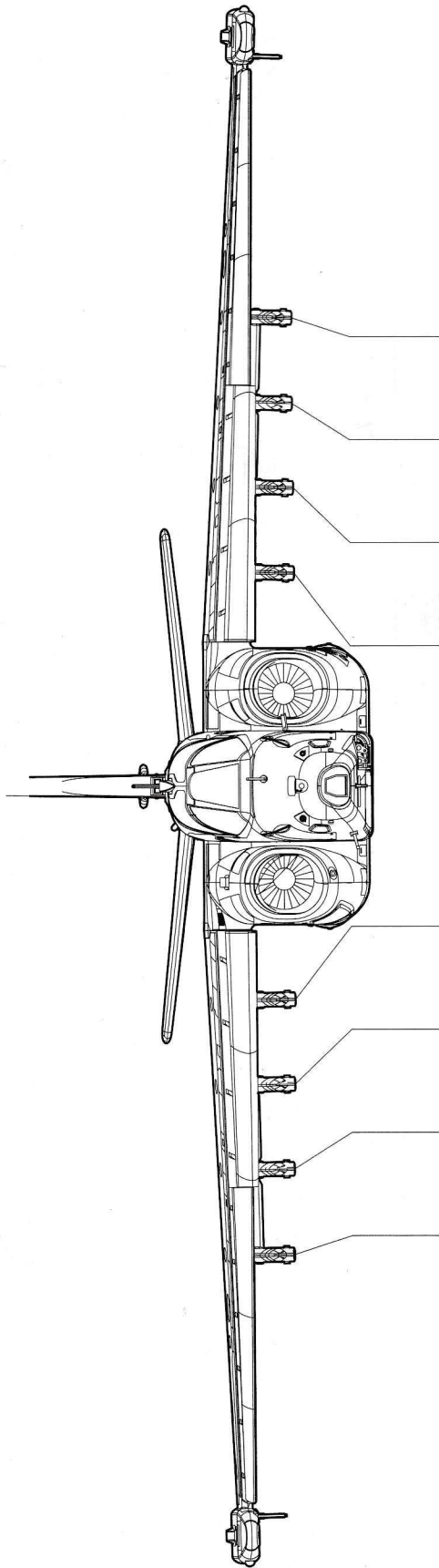
53

KH-25MP



制作两组
Make two

制作两组
Make two

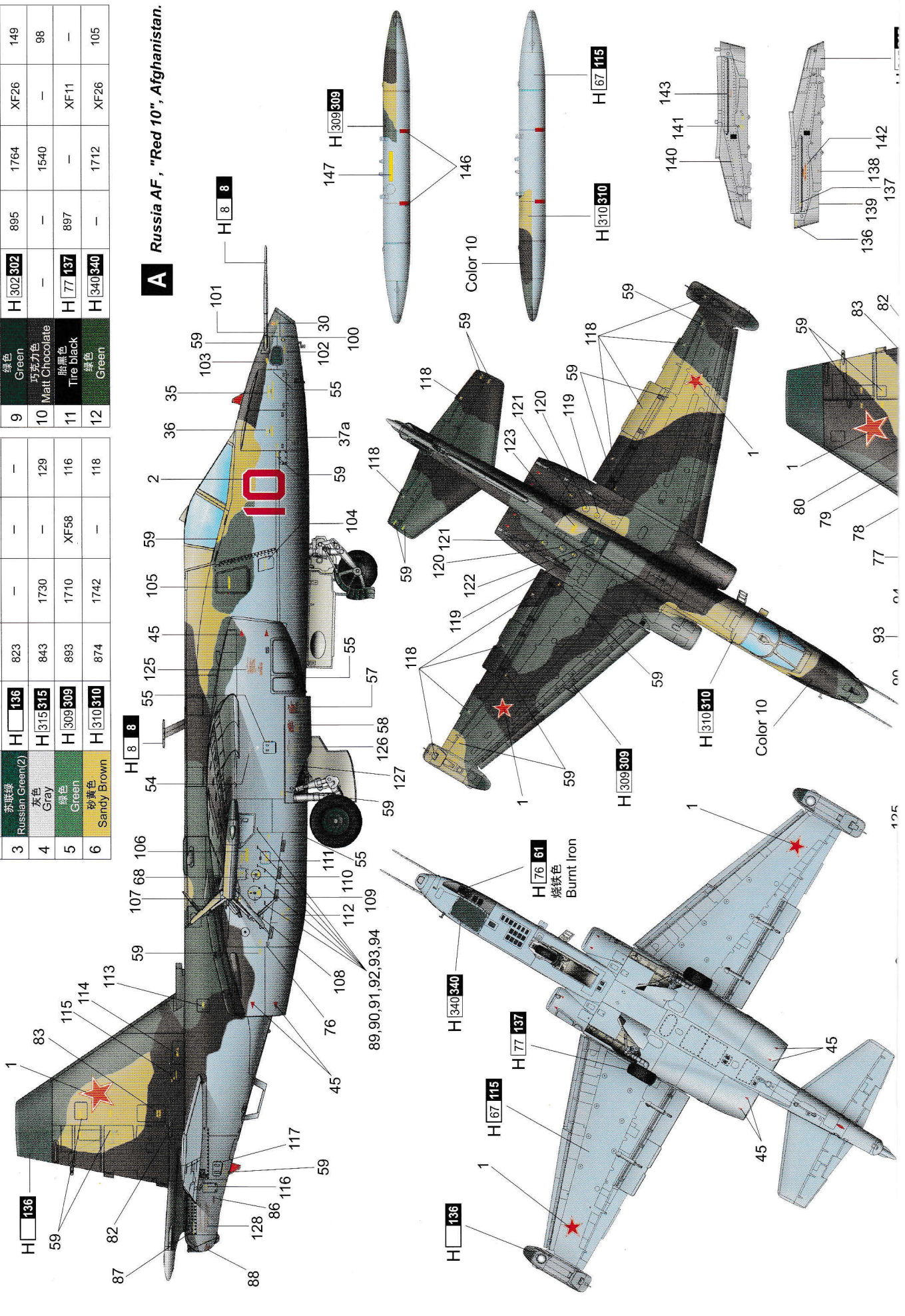


Missile/Tank	Sta. No.	1	2	3	4	5	6	7	8
FAB-250		●	●	●	●	●	●	●	●
ZB-500		●	●	●	●	●	●	●	●
FAB-500		●	●	●	●	●	●	●	●
MBD2-67J+FAB-100		●	●	●	●	●	●	●	●
B-17L				●		●			
S-25L/S-250FM			●	●		●	●	●	●
S-250F				●		●	●	●	●
UB-32M/57		●	●	●	●	●	●	●	●
UB-8M1		●							●
UPK-23/250				●	●				
KMGU-2			●	●		●	●	●	
R-77			●					●	
R-60MK		●							●
KAB-500L				●			●		
KAB-500Kr				●			●		
KH-29L				●			●		
KH-29T				●			●		
9-M120			●					●	
KH-25ML				●			●		
KH-25MP				●			●		
S-24B			●	●			●		●
PTB-1150					●				

涂装同标贴指示 Painting & Marking guide

Color	Mr.Hobby	Vallejo	Model Master	Tamiya	Humbrol
1 银色 Silver	H 8 8	997	1546	X11	11
2 浅蓝色 Light Blue	H 67 115	906	—	XF23	65
3 苏联绿 Russian Green(2)	H 136	823	—	—	—
4 灰色 Gray	H 315 815	843	1730	—	129
5 绿色 Green	H 309 309	893	1710	XF58	116
6 砂黄色 Sandy Brown	H 310 310	874	1742	—	118

Color	Mr.Hobby	Vallejo	Model Master	Tamiya	Humbrol
7 烧铁色 Burnt Iron	H 76 61	863	1795	X10	53
8 浅蓝色 Light Blue	H 323 323	—	—	—	—
9 绿色 Green	H 302 302	895	1764	XF26	149
10 巧克力色 Matt Chocolate	—	—	1540	—	98
11 胎黑色 Tire black	H 77 137	897	—	XF11	—
12 绿色 Green	H 340 340	—	1712	XF26	105

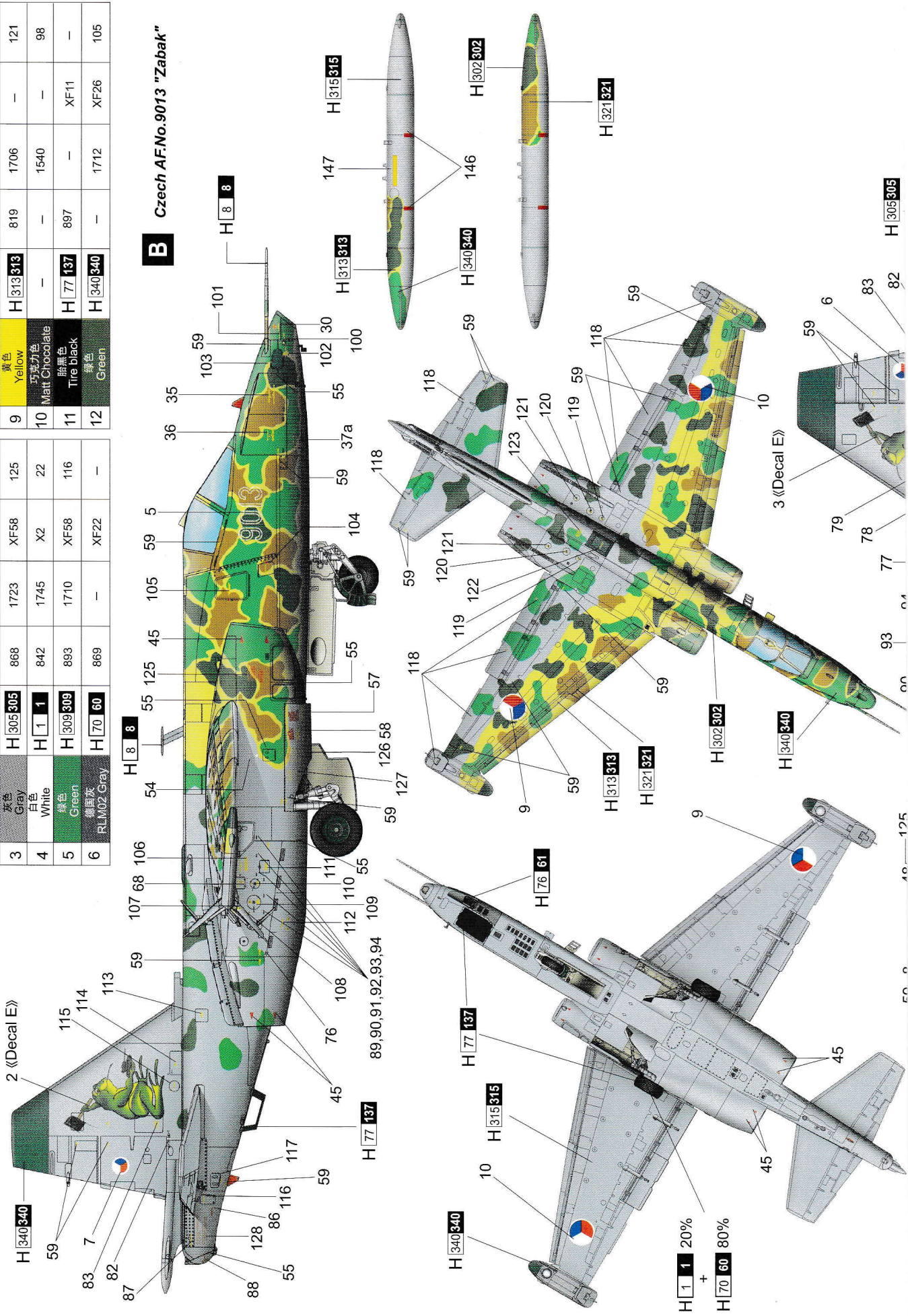


涂装同标贴指示

Painting & Marking guide

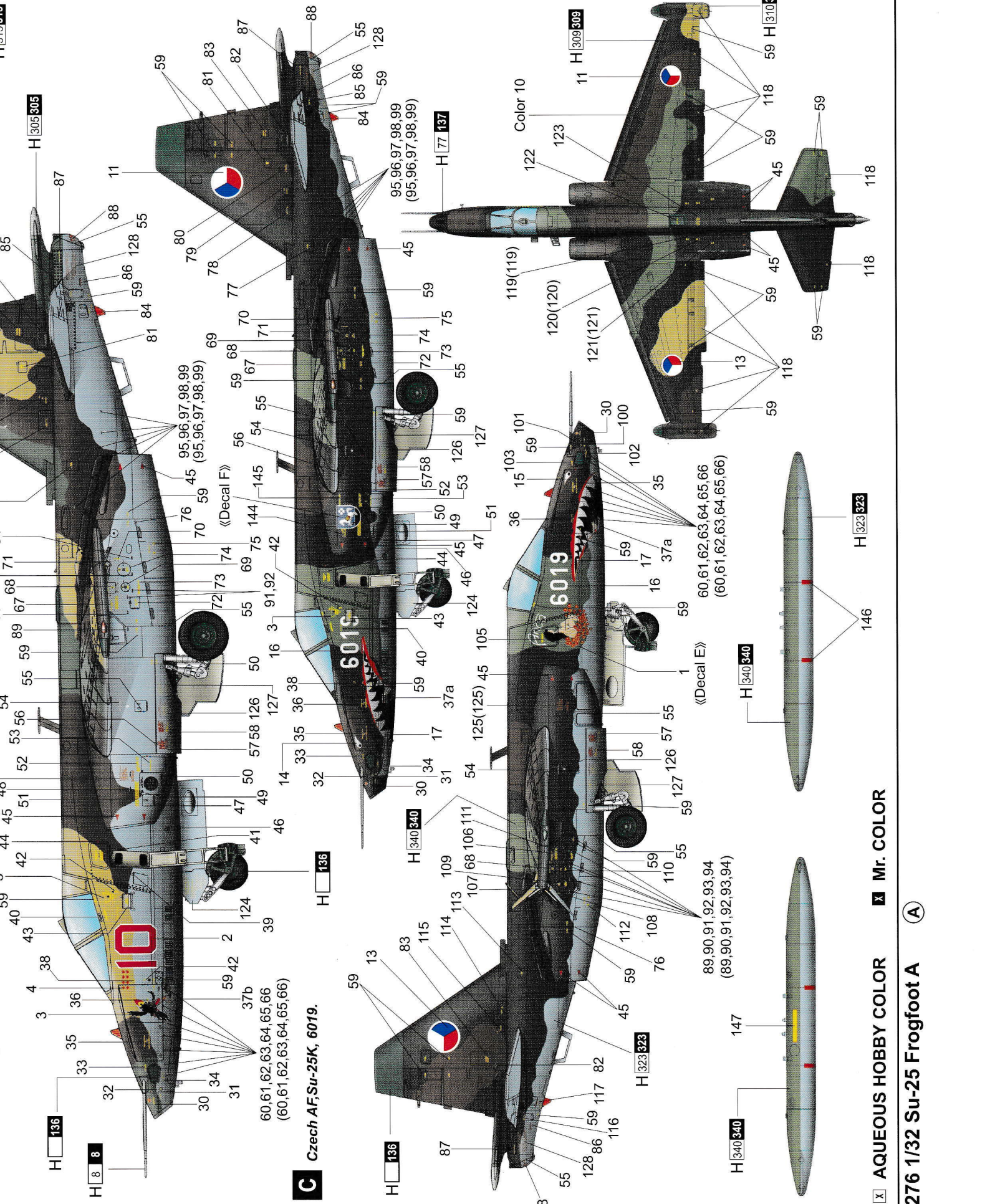
	Color	Mr.Hobby	Vallejo	Model Master	Tamiya	Humbrol
1	银色 Silver	H [8 8]	997	1546	X11	11
2	浅蓝色 Light Blue	H [67 115]	906	—	XF23	65
3	灰色 Grey	H [305 305]	868	1723	XF58	125
4	白色 White	H [1 1]	842	1745	X2	22
5	绿色 Green	H [309 309]	893	1710	XF58	116
6	德国灰 RALM02 Gray	H [70 60]	869	—	XF22	—

	Color	Mr.Hobby	Vallejo	Model Master	Tamiya	Humbrol
7	灰棕色 Gray Light Brown	H [321 321]	929	—	—	—
8	浅蓝色 Light Blue	H [323 323]	—	—	—	—
9	黄色 Yellow	H [313 313]	819	1706	—	121
10	巧克力色 Matt Chocolate	—	—	1540	—	98
11	胎黑色 Tire black	H [77 137]	897	—	XF11	—
12	绿色 Green	H [340 340]	—	1712	XF26	105



B Czech AF.No.9013 "Zabak"

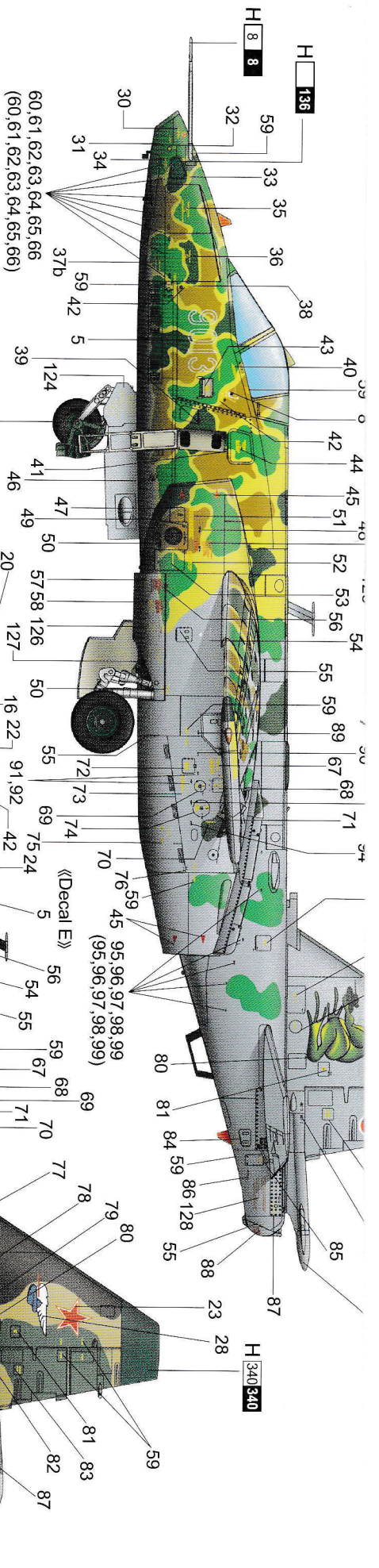
H [1 1] 20%
+
H [70 60] 80%



C Czech AF Su-25K, 6019.

H AQUEOUS HOBBY COLOR Mr. COLOR

02276 1/32 Su-25 Frogfoot A **A**



D Russia AF "White 12".

H 136

H 136

H 136

H 136

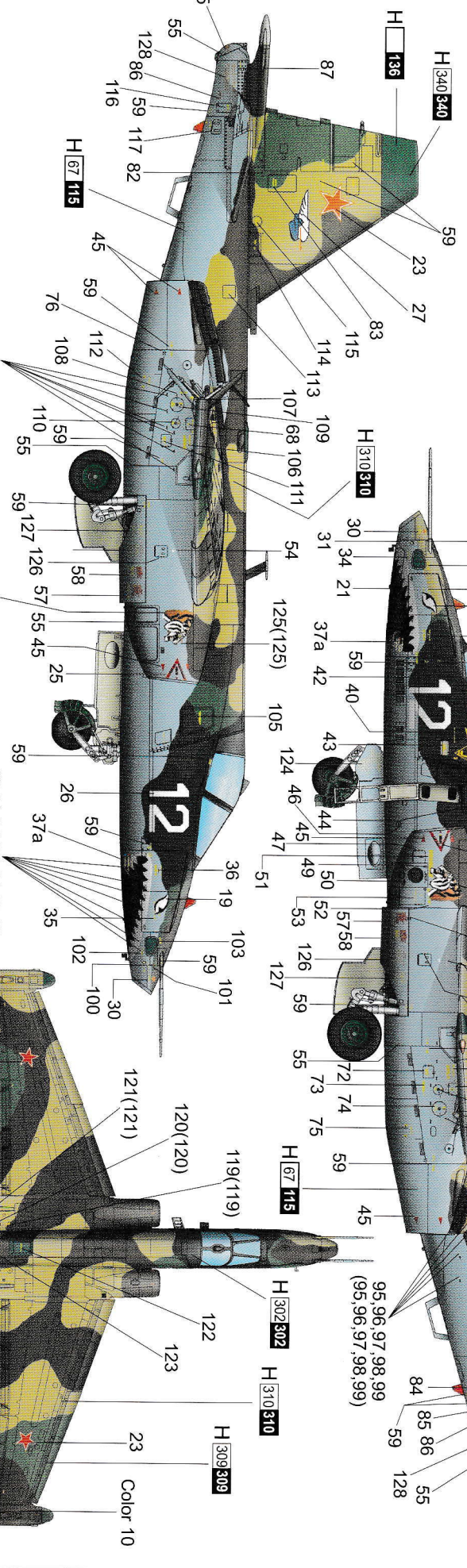
H 136

H 136

H 136

H 136

H 136



H 310 310
147

H 310 310
(89,90,91,92,93,94)

H 310 310
6«Decal E»
(89,90,91,92,93,94)

H 310 310
60,61,62,63,64,65,66
(60,61,62,63,64,65,66)

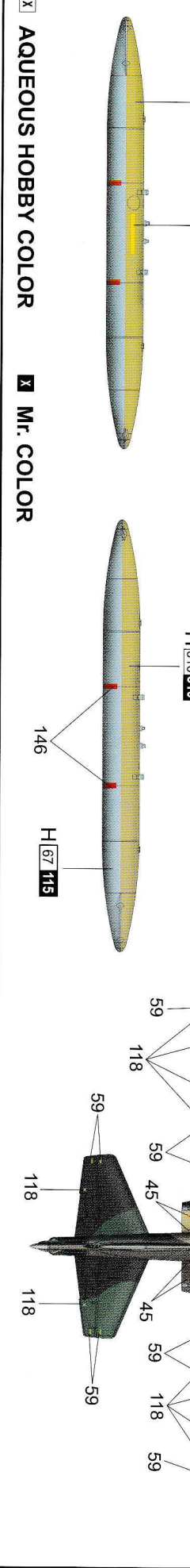
H 310 310

H 310 310

H 310 310

H 310 310

H 310 310



H 136

H 136

H 136

H 136

H 136

H 136

H 136

H 136

H 136

Color 10