

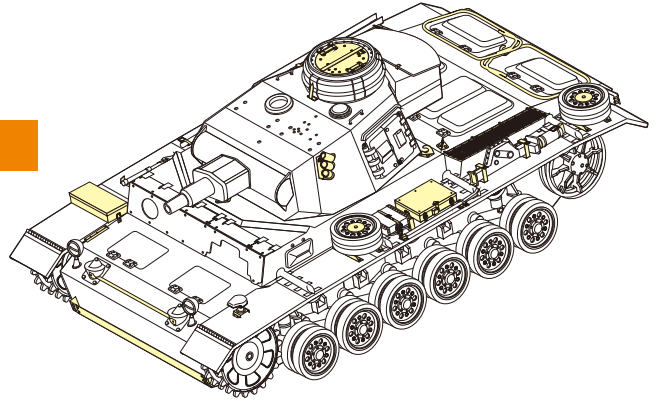
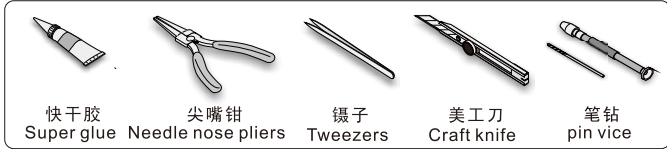
1/35 MILITARY MINIATURE VEHICLE UPGRADE SERIES PE35238

WWII German Pz.Kpfw.III Ausf.N

二战德军III号坦克N型改造件

[For TAMIYA 35290]

推荐使用工具 RECOMMENDED TOOLS



- 安装
install
- 折叠
bend
- A1**

改造件零件编号
PE/resin part number
- B12**

原零件编号
kit part number
- G22**

被替换的原零件编号
replaced kit part number
- 另一侧相同制作
repeat on opposite side
- 切除
remove
- 打磨
grind off
- 弧度卷曲
radial bending
- x2**

制作若干组
multiple assembly
- 选择安装
alternative
- 钻孔
drill
- 用胶棒制作
make from plastic rod

用尖端在凹槽处冲压
use penpoint to press on the dent

蚀刻片零件内朝面向上
Put the part upside down

用笔尖在凹槽处刺
Use penpoint to press on the dent

a

自制 Scrat chbuild

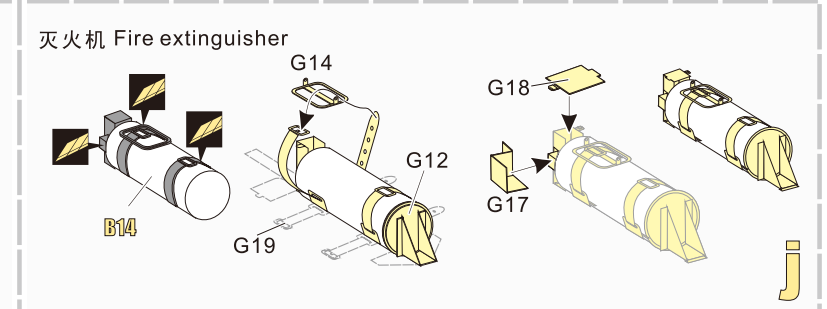
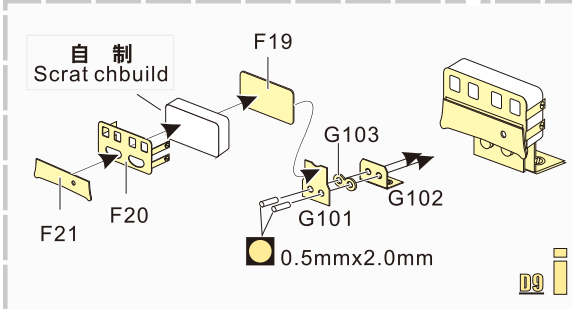
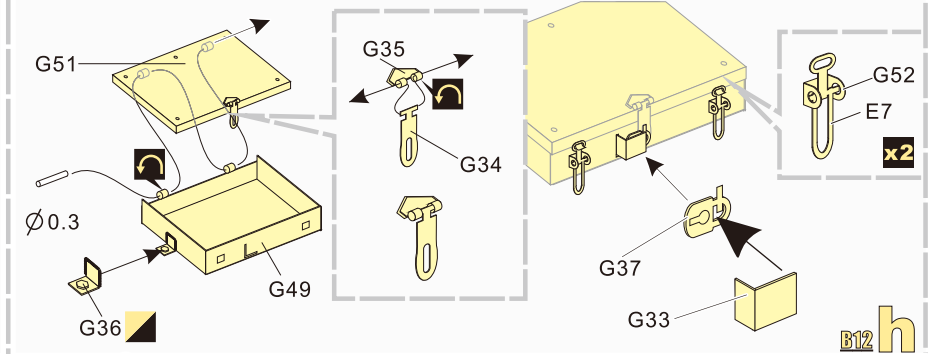
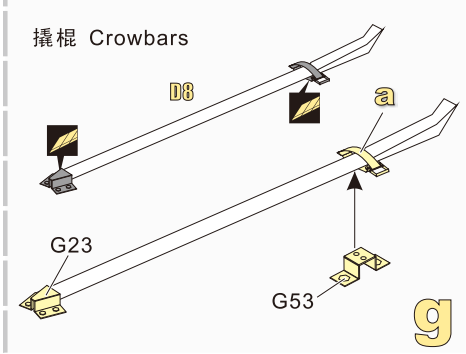
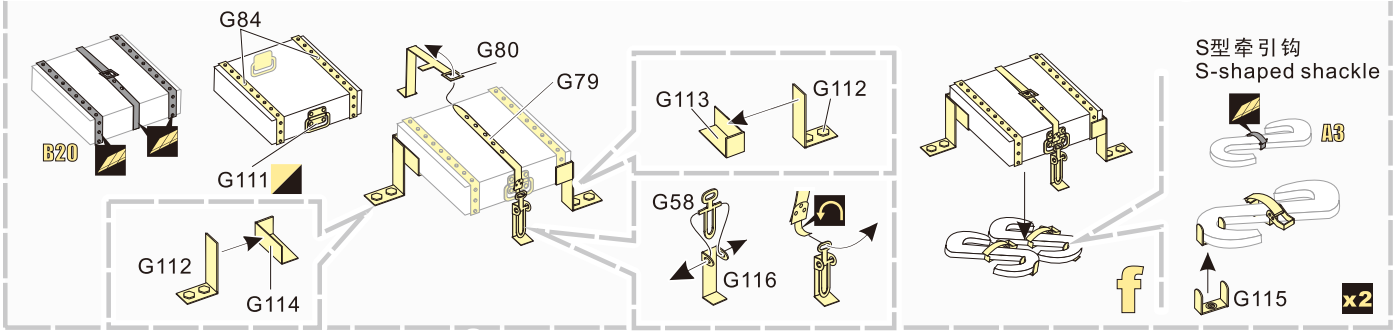
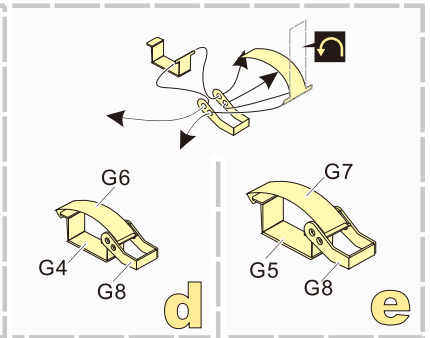
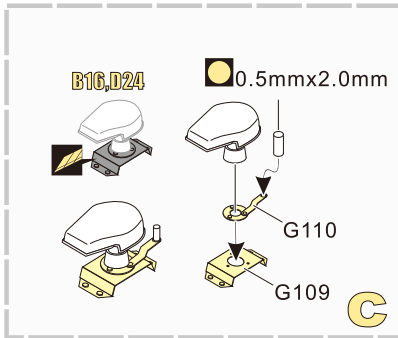
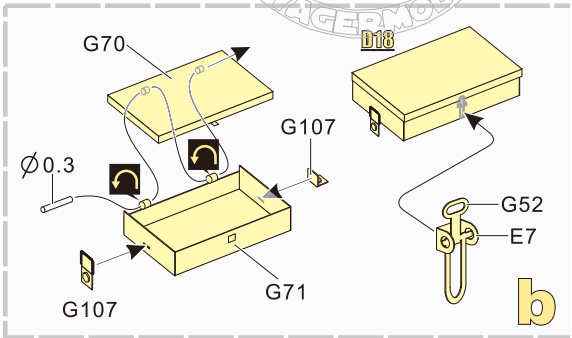
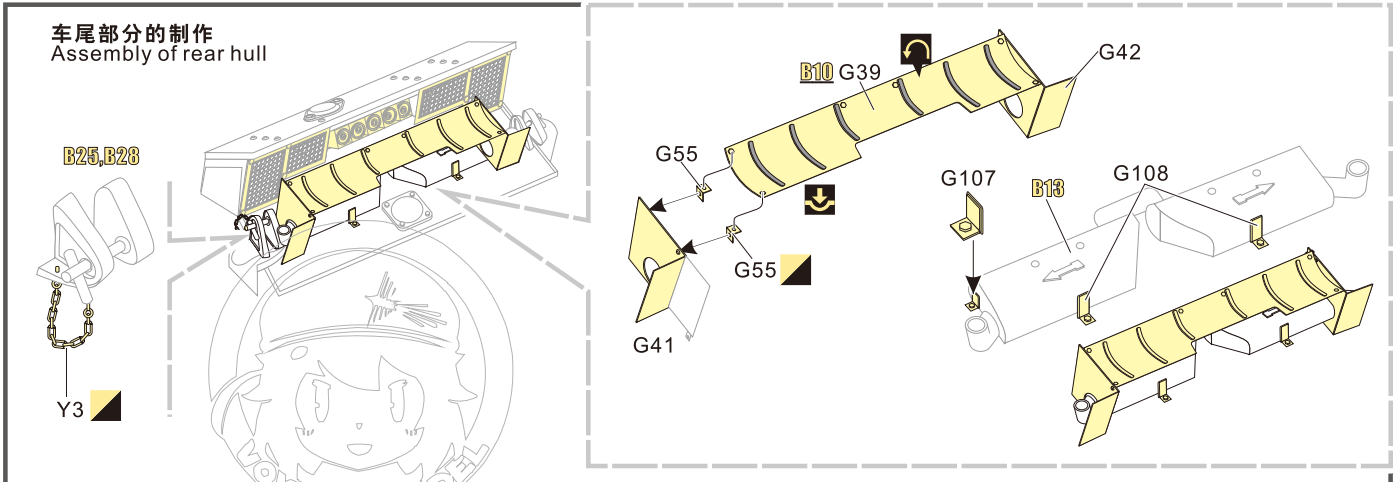
此项改造适合高级的制作者
For experienced builders only

0.3mm x 0.7mm

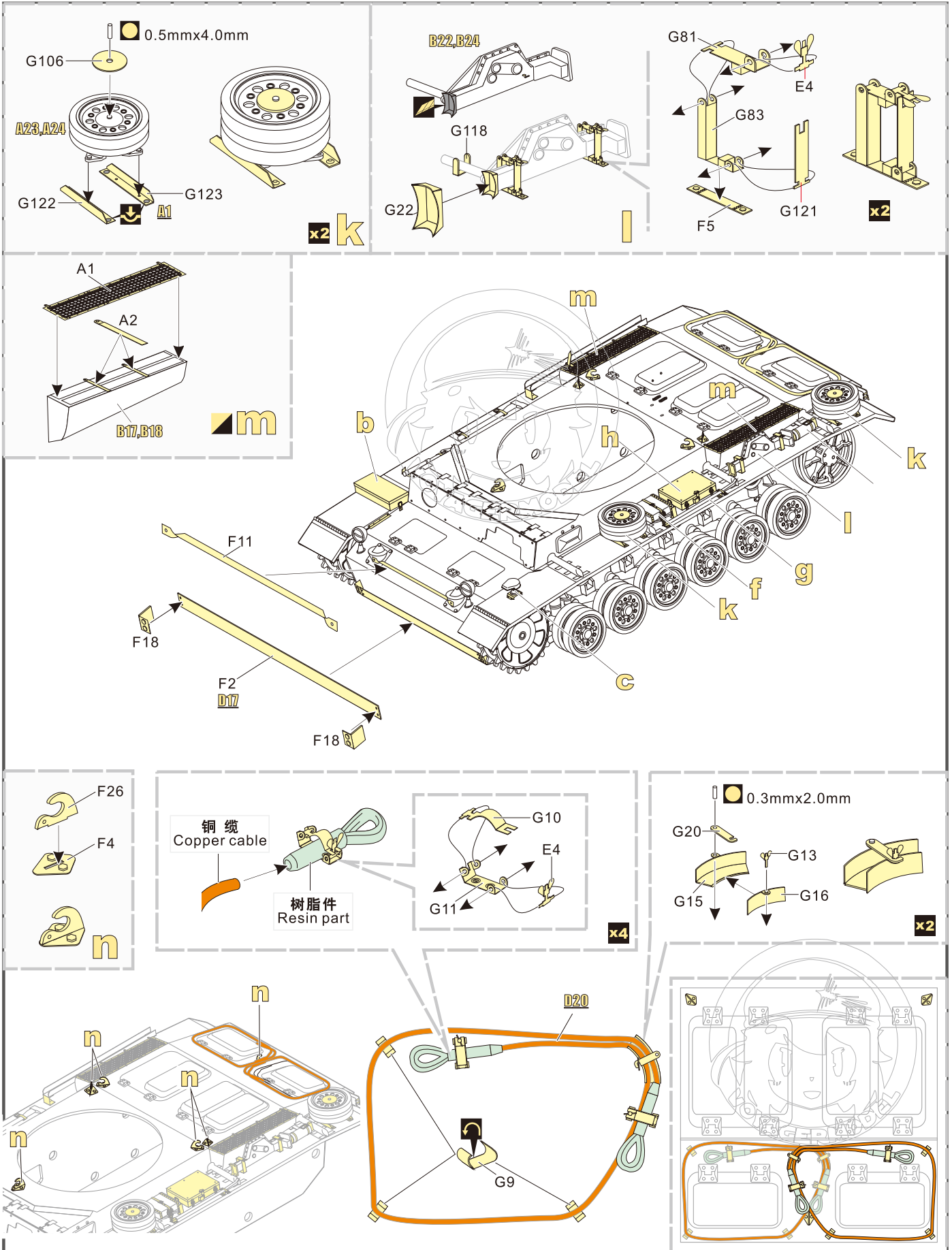
0.3mm x 1.0mm

1/35 MILITARY MINIATURE VEHICLE UPGRADE SERIES PE35238

车尾部分的制作
Assembly of rear hull



1/35 MILITARY MINIATURE VEHICLE UPGRADE SERIES PE35238



1/35 MILITARY MINIATURE VEHICLE UPGRADE SERIES PE35238

O

引擎启动杆 Engine starter crank

自制
Scratch build

0.5mmx2.0mm

P

Q

R

树脂件
Resin part

树脂件
Resin part

S

T

钳子
Wirecutter

U

V

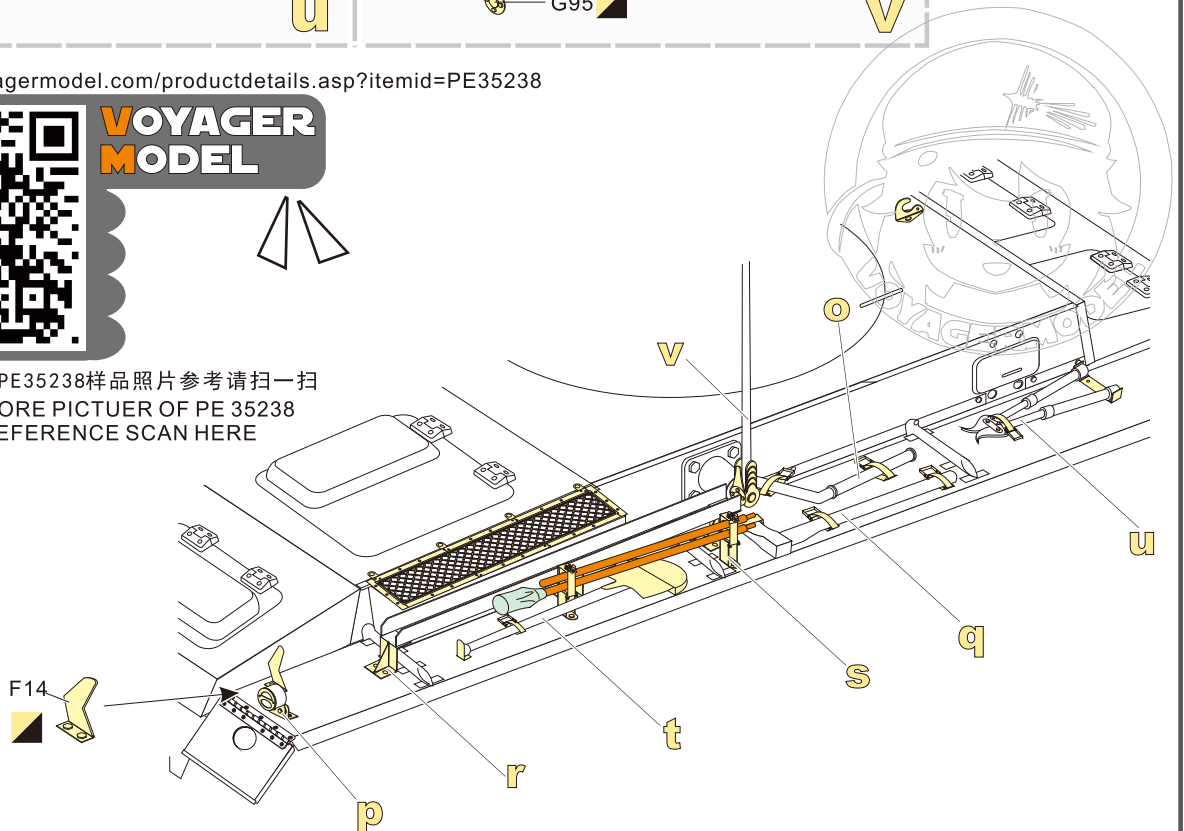
[Http://www.voyagermodel.com/productdetails.asp?itemid=PE35238](http://www.voyagermodel.com/productdetails.asp?itemid=PE35238)



**VOYAGER
MODEL**



更多PE35238样品照片参考请扫一扫
MORE PICTUER OF PE 35238
REFERENCE SCAN HERE



1/35 MILITARY MINIATURE VEHICLE UPGRADE SERIES PE35238

