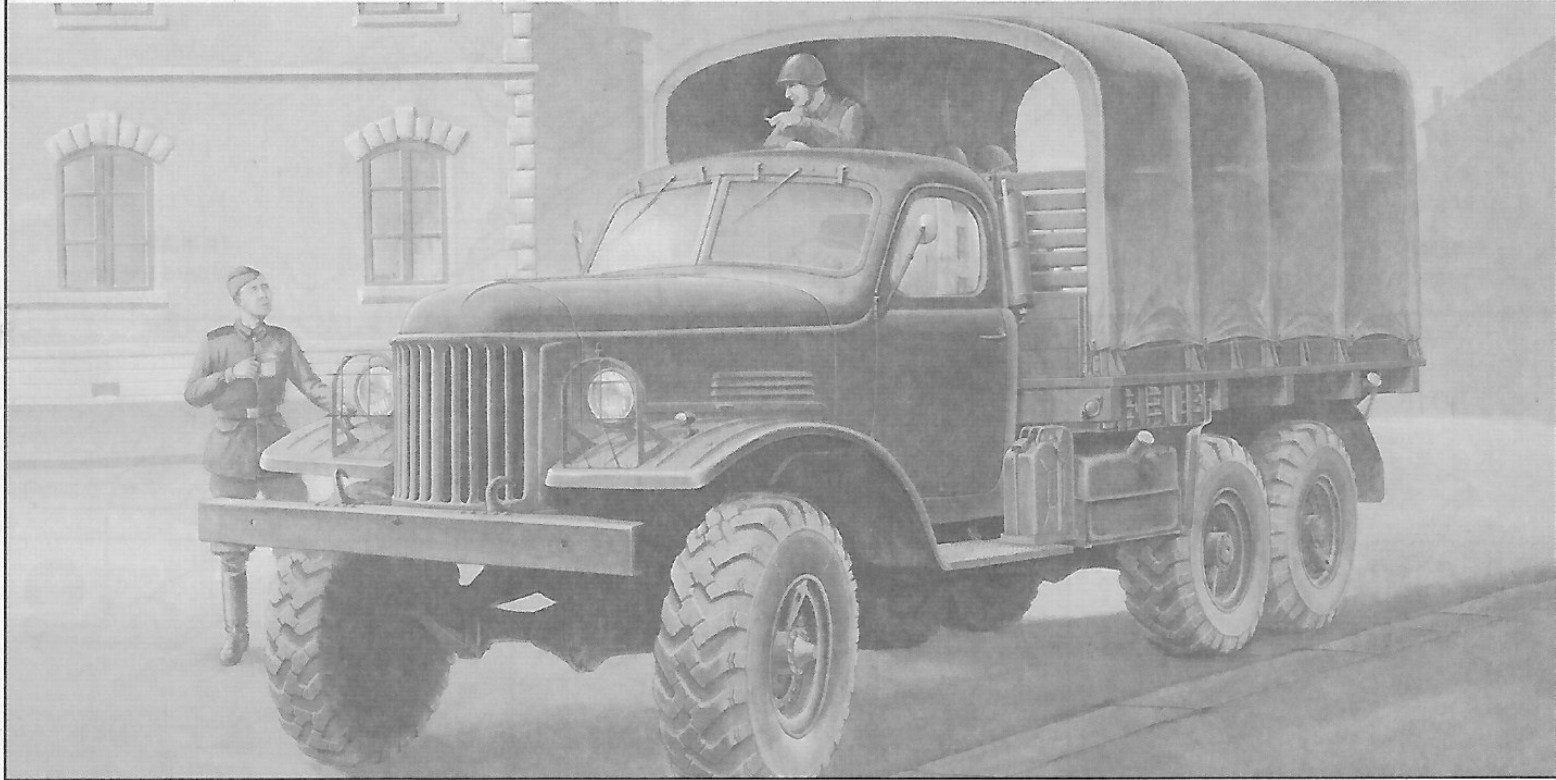


1:35 SCALE

ZIL-157 6 × 6 military truck

苏联吉尔-157 (6 × 6) 军用卡车



READ BEFORE ASSEMBLY

- Study and understand this instructions thoroughly before beginning assembly.
- Remove all injection pins carefully using a modeling file.
- Cut off the photo-etched parts carefully using a modeling knife. Be sure not to lose small parts.
- Apply instant cement to photo etched parts and shafts. Apply too much instant cement will cause movable parts to stick. Apply cement carefully.
- Extra care should be taken to avoid personal injury when handling the photo etched parts.
- Some parts should depend on decals. Select prior to assembly.
- Tools recommended: (Not included in this kit)
- Cement; Side cutters; Long nose pliers; Modeling knife; Modeling life; Tweezers; Pin vise; Scissors; Instant cement.
- Soft cloth and sand paper will also assist in construction.
- Glue and paints are not included in the kit. Use plastic cement or paints only.
- Keep out of reach of small children. Children must not be allowed to suck any part, or pull vinyl bay over the head.

装配之前仔细阅读

- 小心用模型锉刀锉平所有零件表面的注射浇口。
- 小心用刀片切下蚀刻片零件，不要遗失小零件。
- 用强力快干胶水粘合蚀刻片零件和金属轴。过量的快干胶水使用可能导致可动零件会粘住，小心涂胶。
- 取蚀刻片时应特别注意安全，防止利边划伤手指。
- 某些零件表面需贴上水贴纸，请选择在装配的同时进行。
- 推荐模型工具(自备)：胶水，水口剪刀，长咀钳，刀片，锉刀，镊子钳，钻，剪刀，瞬间快干胶。
- 软布同砂纸同时也应该是必备工具。
- 请使用塑料胶水和油漆，模型内不含。
- 谨防小孩吸吮塑料零件，或者将塑料袋套在头上，制作时应将套材远离小孩接触。

颜色指示 COLOR

H 2 2 - 黑色	Black	H 22 13 - 灰色	Gray
H 3 3 - 红色	Red	H 77 137 - 胎黑色	Tire black
H 8 8 - 银色	Silver	H 76 61 - 烧铁色	Burnt iron
H 11 62 - 消光黑	Flat black	H 91 48 - 透明黄	Clear yellow
H 43 100 - 深红色	Wine red	H 90 47 - 透明红	Clear red
H 18 28 - 黑铁色	Black metal	H 136 - 苏式绿	Russian green
H 339 339 - 引擎灰	Engine gray	H - 铝色	Aluminium



cyanoacrylate glue
使用强力胶



weight
配重



make hole
钻孔



cut / remove
切除



bend
弯曲



file / sand
锉平



option
选择



no cement
不涂胶水



decal
贴纸

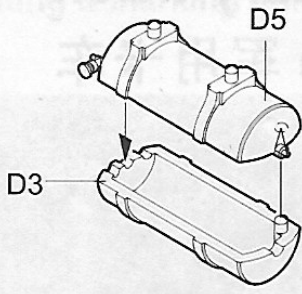
水贴纸的使用:

1. 从水贴上剪下印花;
2. 将印花放入温水中浸10秒, 然后放在干净布上。
3. 拿着印花纸板将印花移到模型上;
4. 手指蘸水将印花移到适当的位置;
5. 用软布轻压印花直至水干, 气泡消失。

DECAL APPLICATION

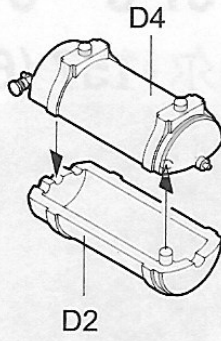
1. Cut off decal from sheet.
2. Dip the decal in tepid water 40° C for about 10 sec. and place on a clean cloth.
3. Hold the backing sheet edge and slide decal onto the model.
4. Move decal into position by wetting decal with finger.
5. Press decal gently down with a soft cloth until excess water and air bubbles are gone.

1 车架零件组装
Frame parts assembly

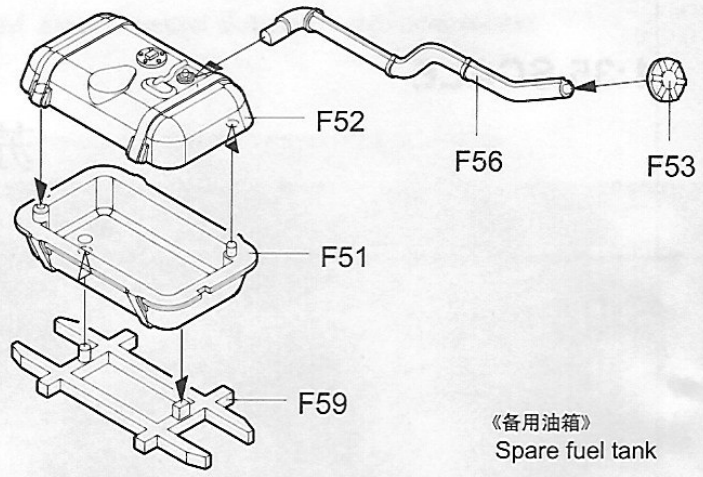


《调压阀A》
Pressure regulation A

《调压阀B》
Pressure regulation B

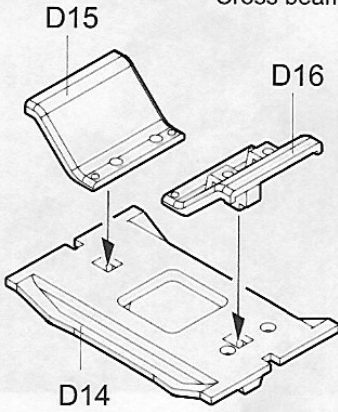


制作2组
Make two

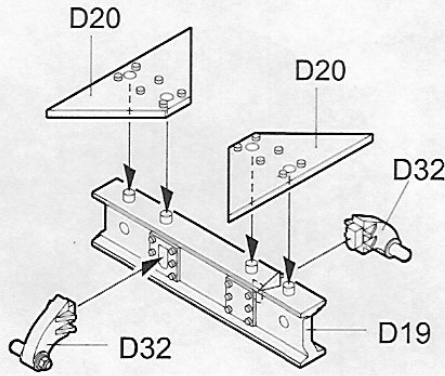


《备用油箱》
Spare fuel tank

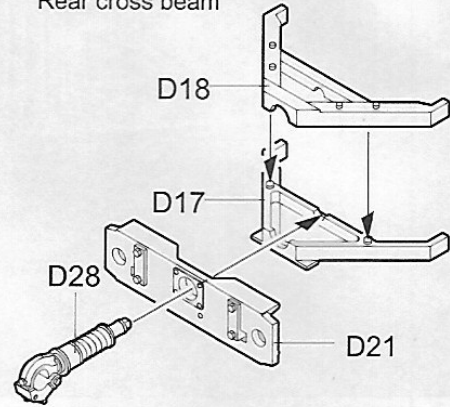
《横梁A》
Cross beam A



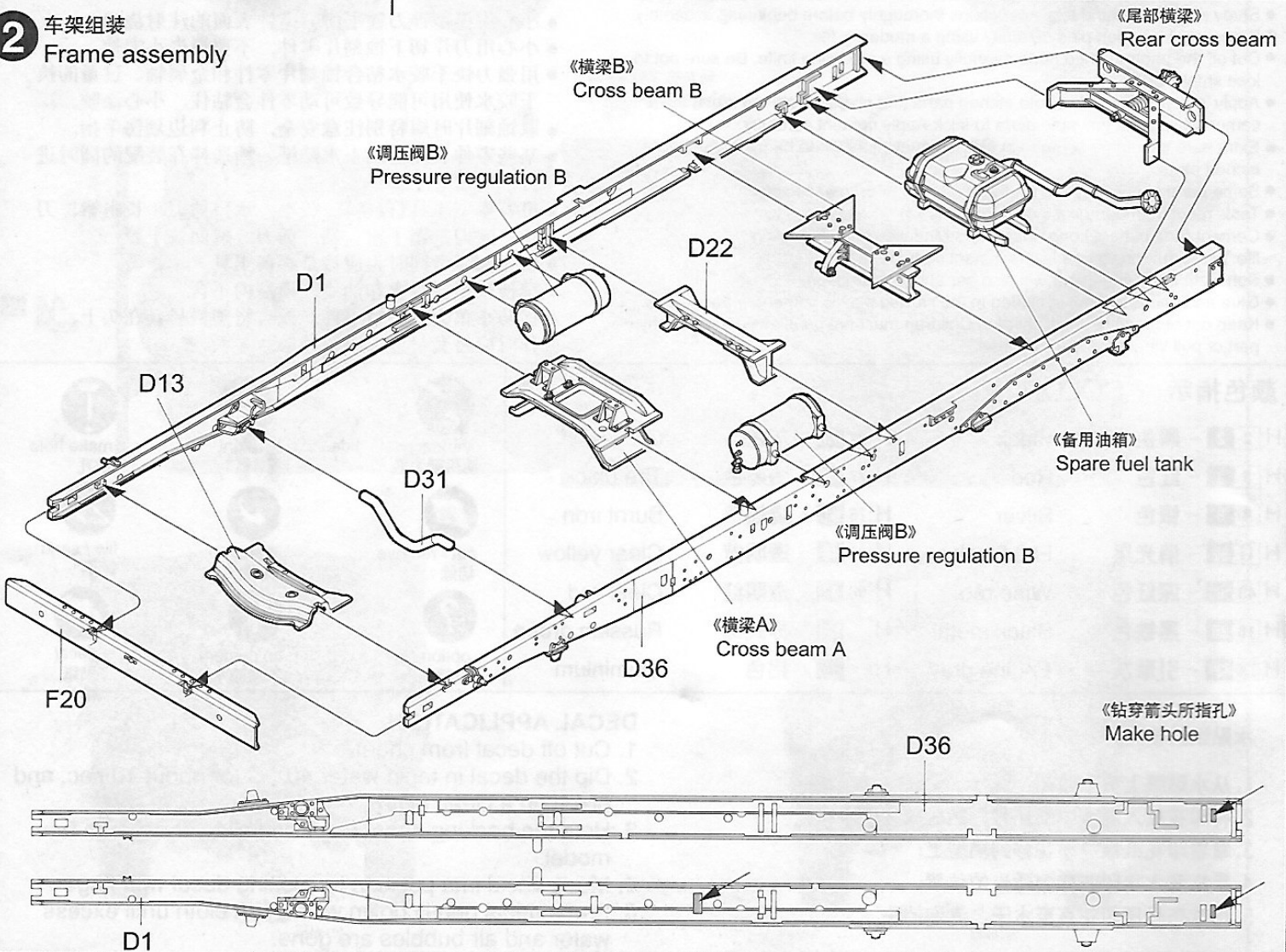
《横梁B》
Cross beam B



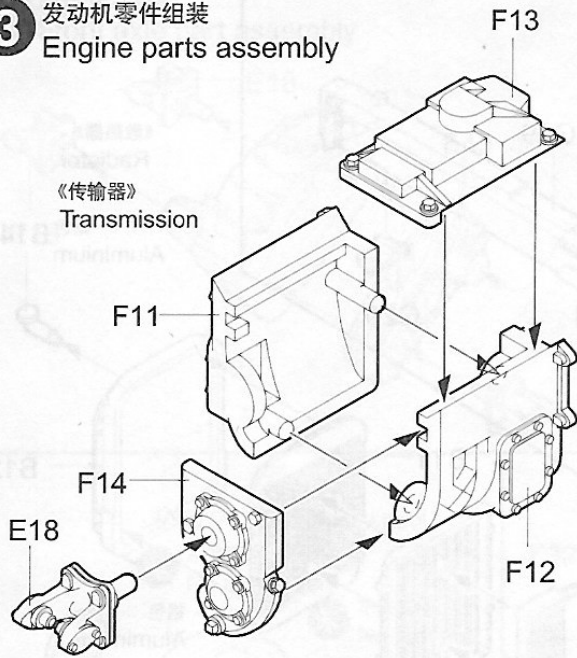
《尾部横梁》
Rear cross beam



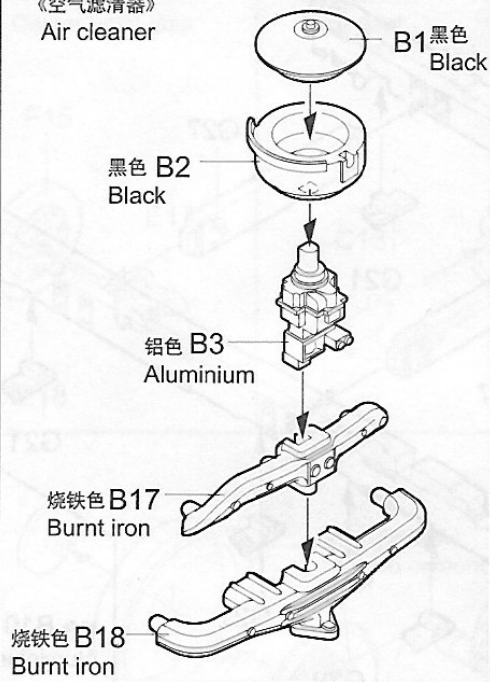
2 车架组装
Frame assembly



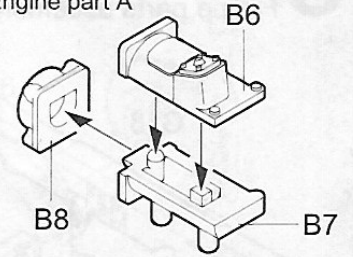
3 发动机零件组装
Engine parts assembly



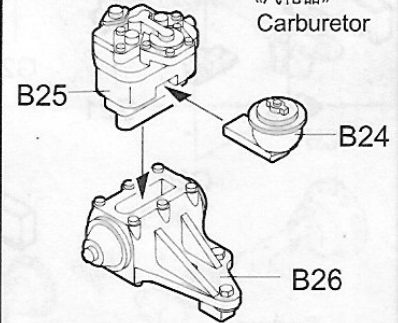
《空气滤清器》
Air cleaner



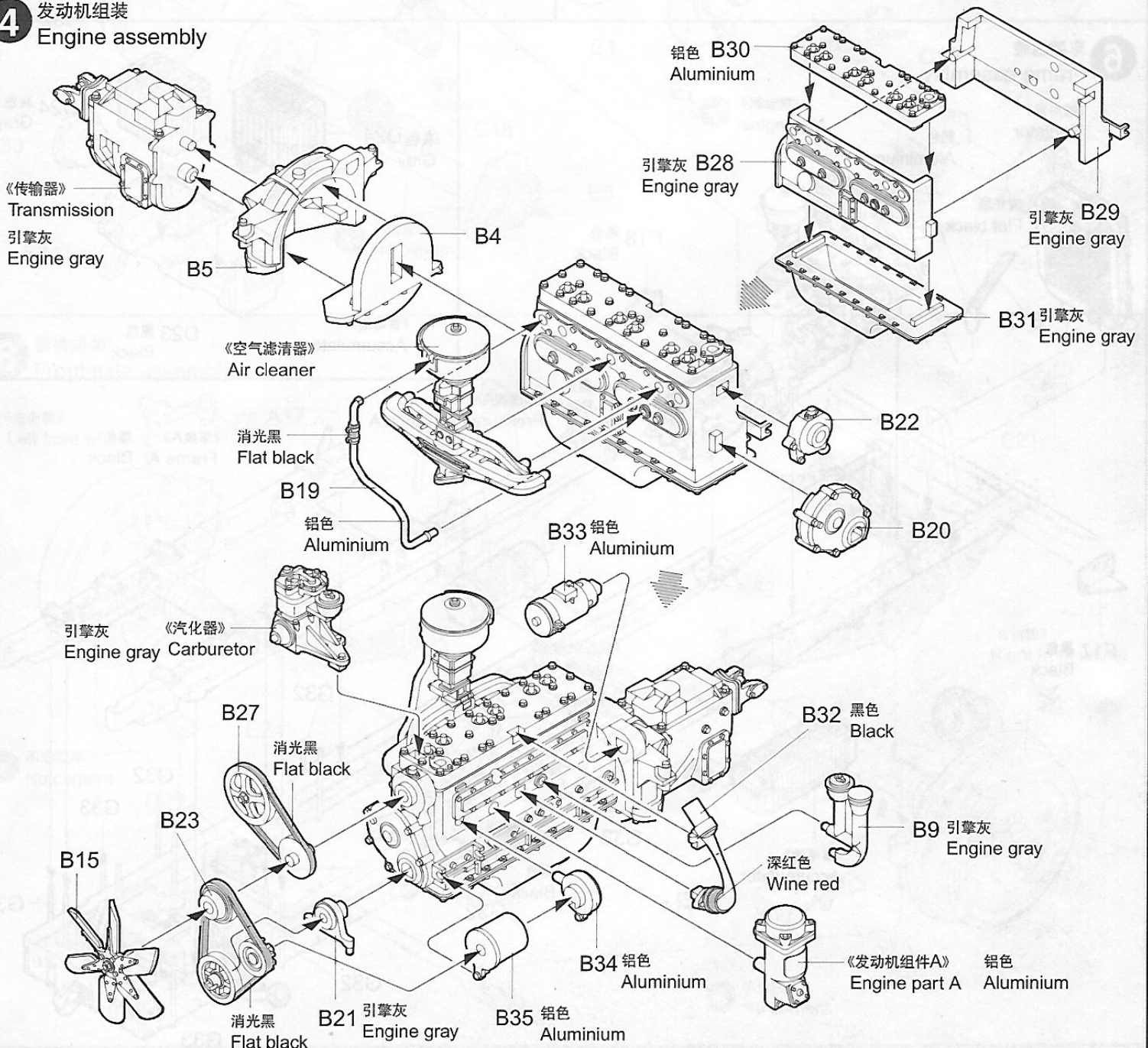
《发动机组件A》
Engine part A



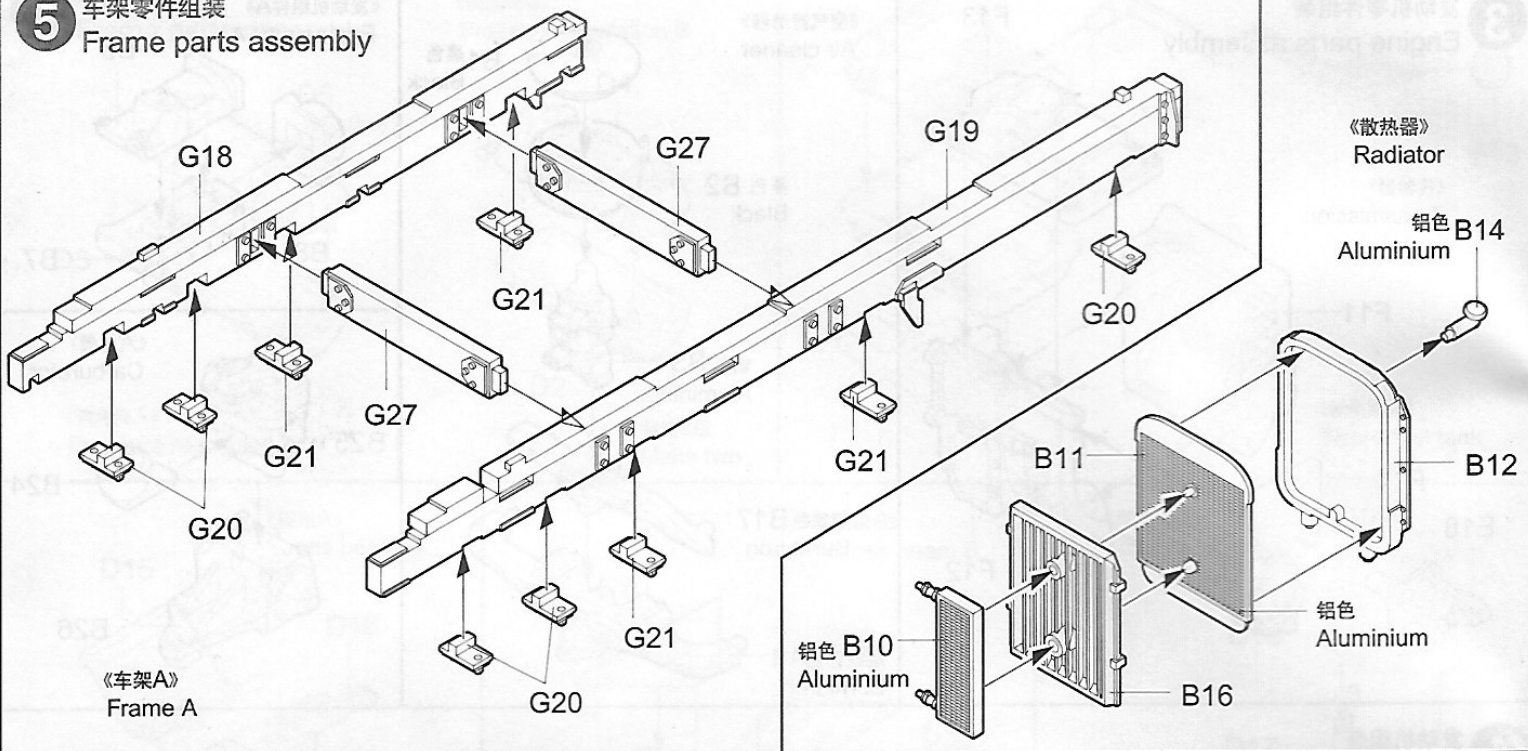
《汽化器》
Carburetor



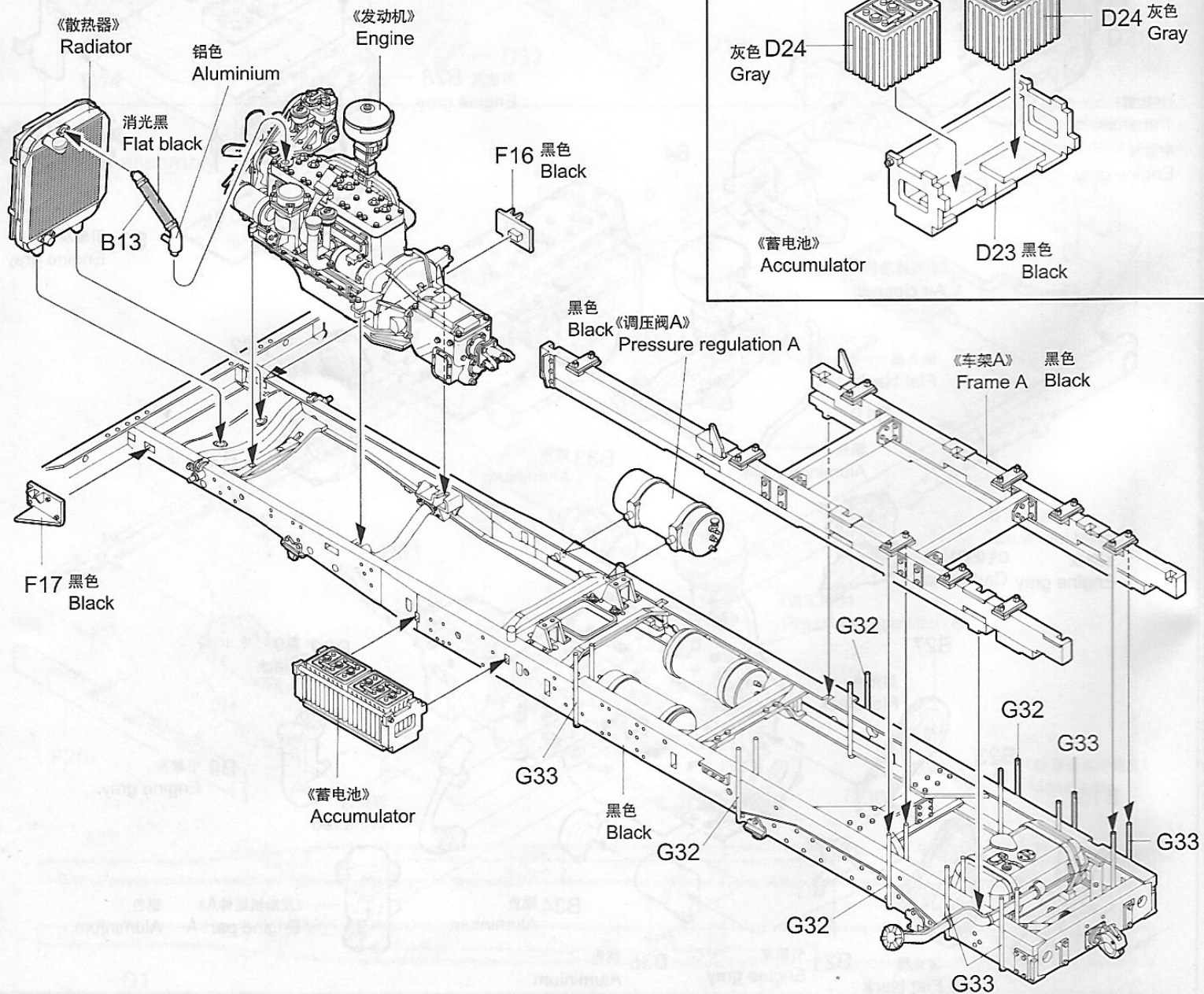
4 发动机组装
Engine assembly



5 车架零件组装
Frame parts assembly



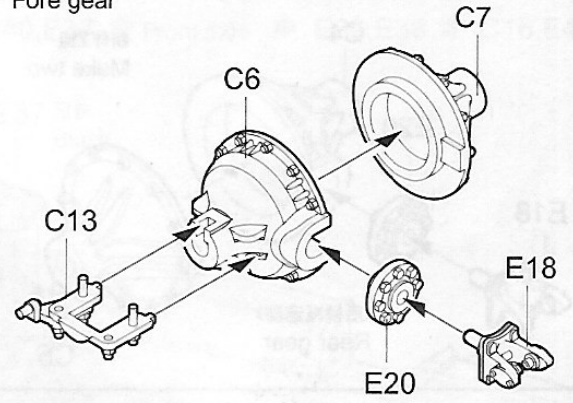
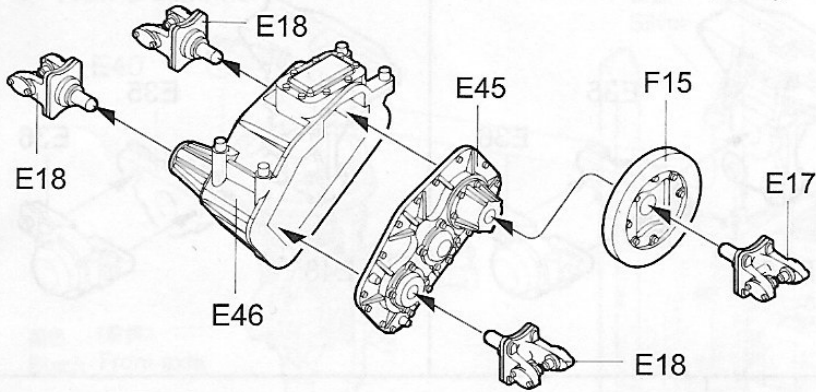
6 车架组装
Frame assembly



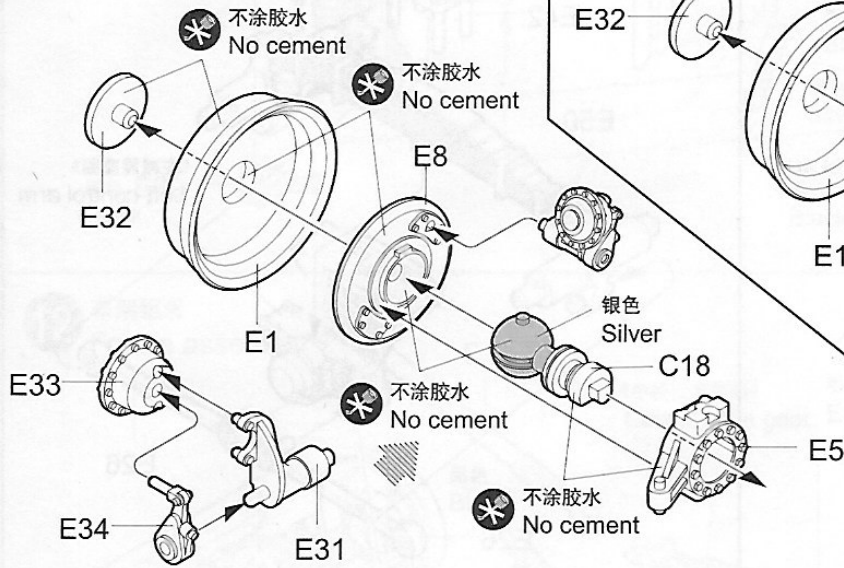
7 前桥零件组装
Front axle part assembly

《中桥过桥齿箱》
Center point gear

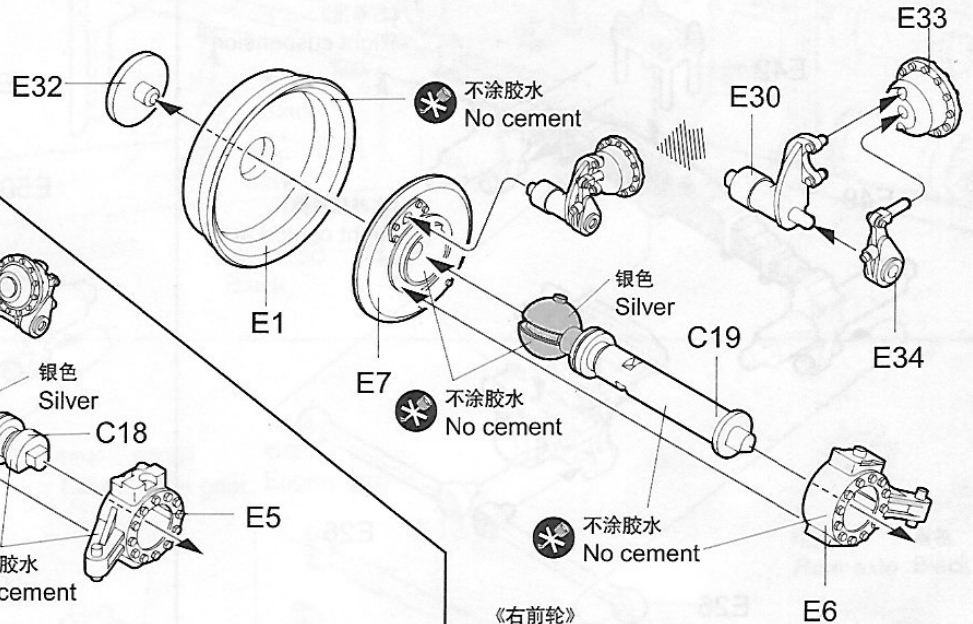
《前桥减速器》
Fore gear



《左前轮》
Left front wheel

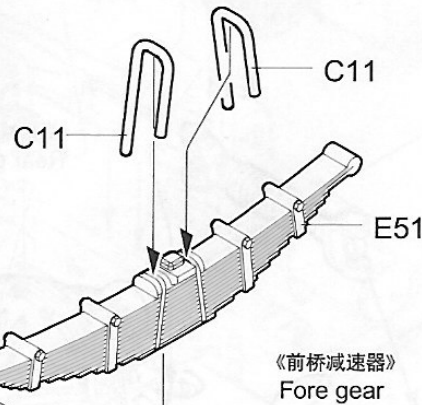


《右前轮》
Right front wheel

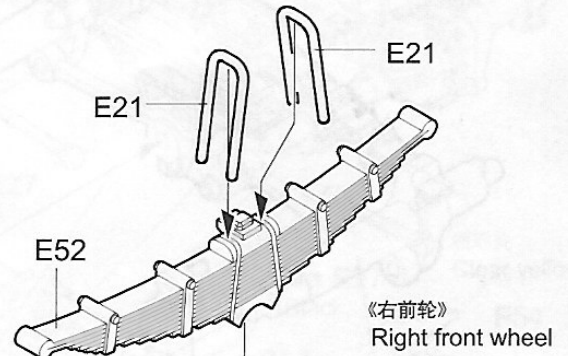


8 前桥组装
Front axle assembly

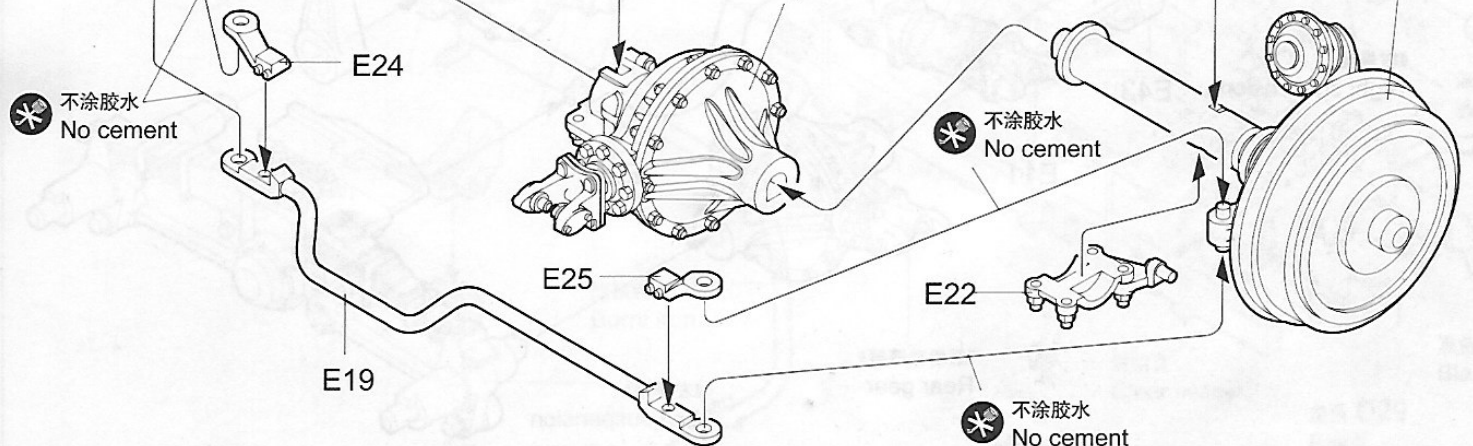
《左前轮》
Left front wheel



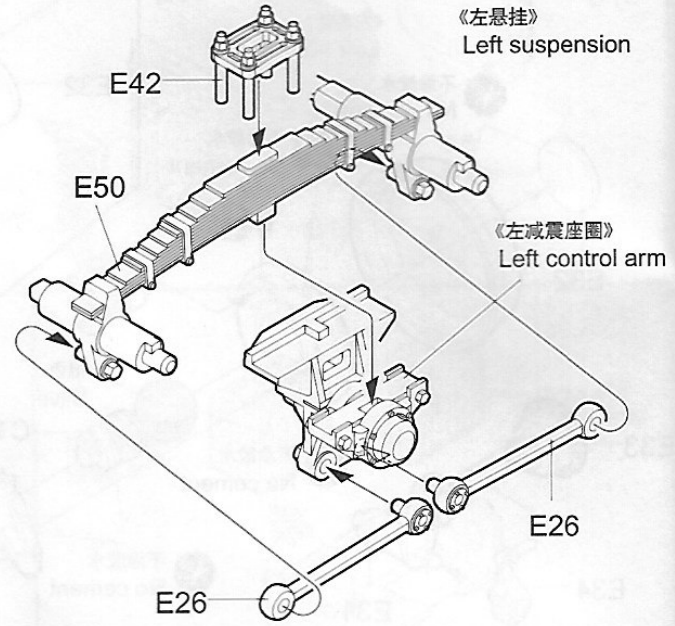
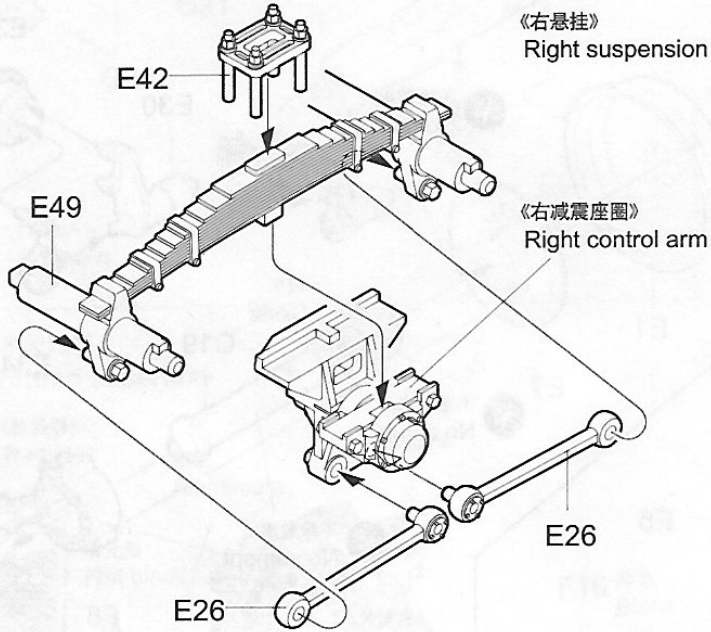
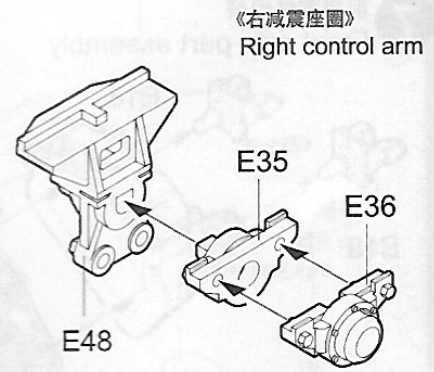
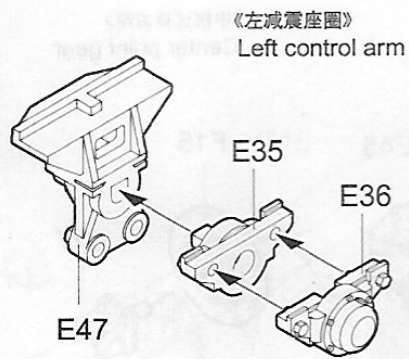
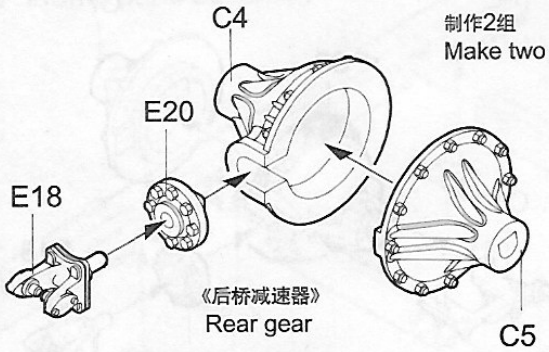
《前桥减速器》
Fore gear



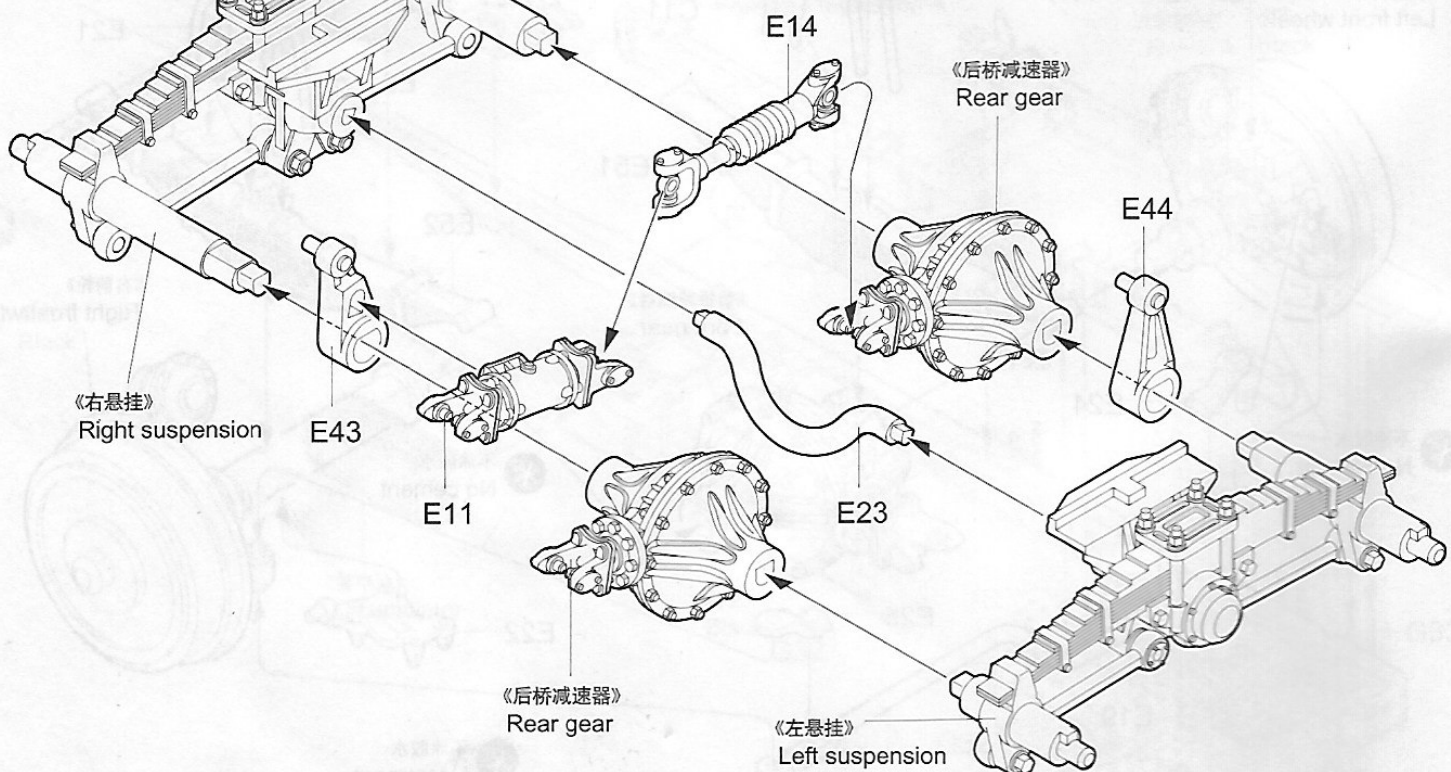
《右前轮》
Right front wheel



9 后桥零件组装
Rear axle part assembly

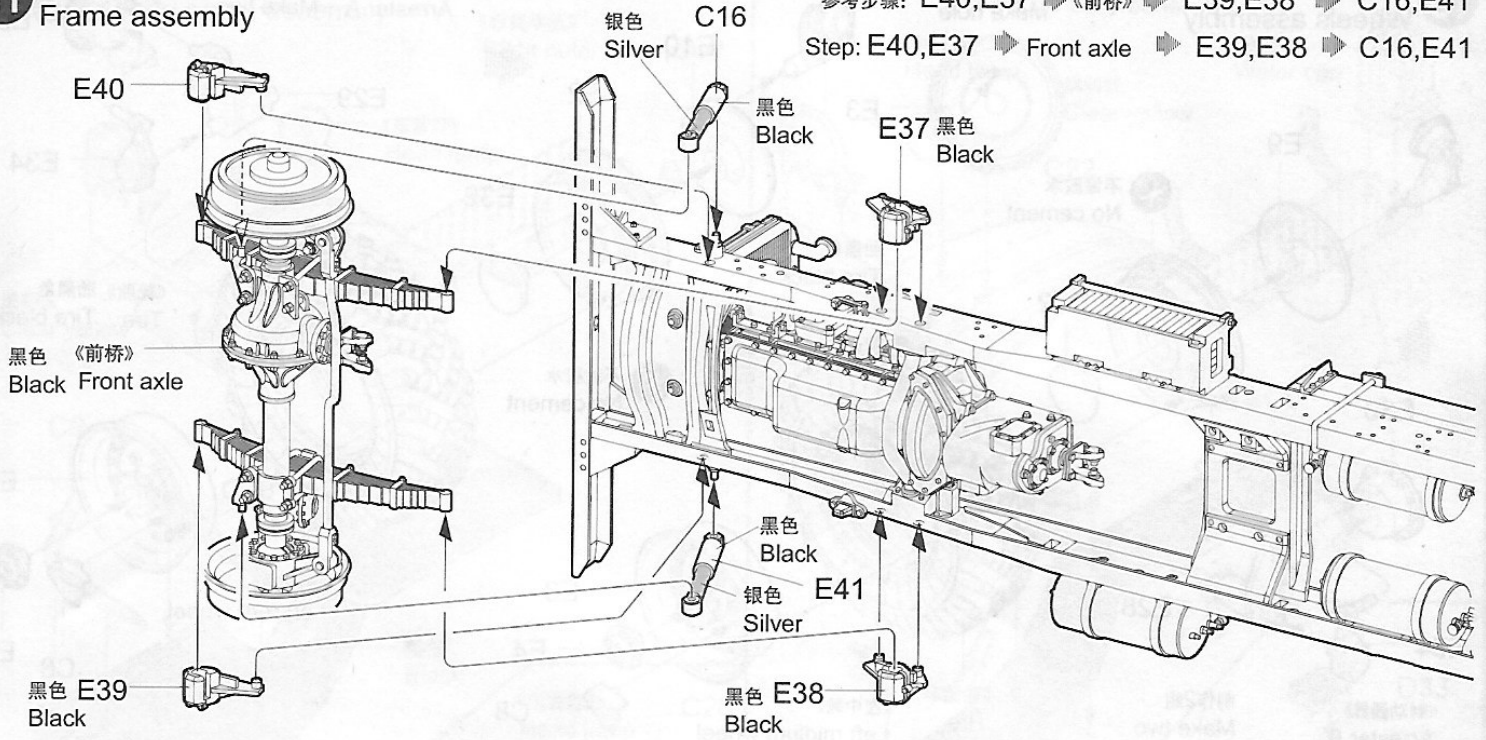


10 后桥组装
Rear axle assembly

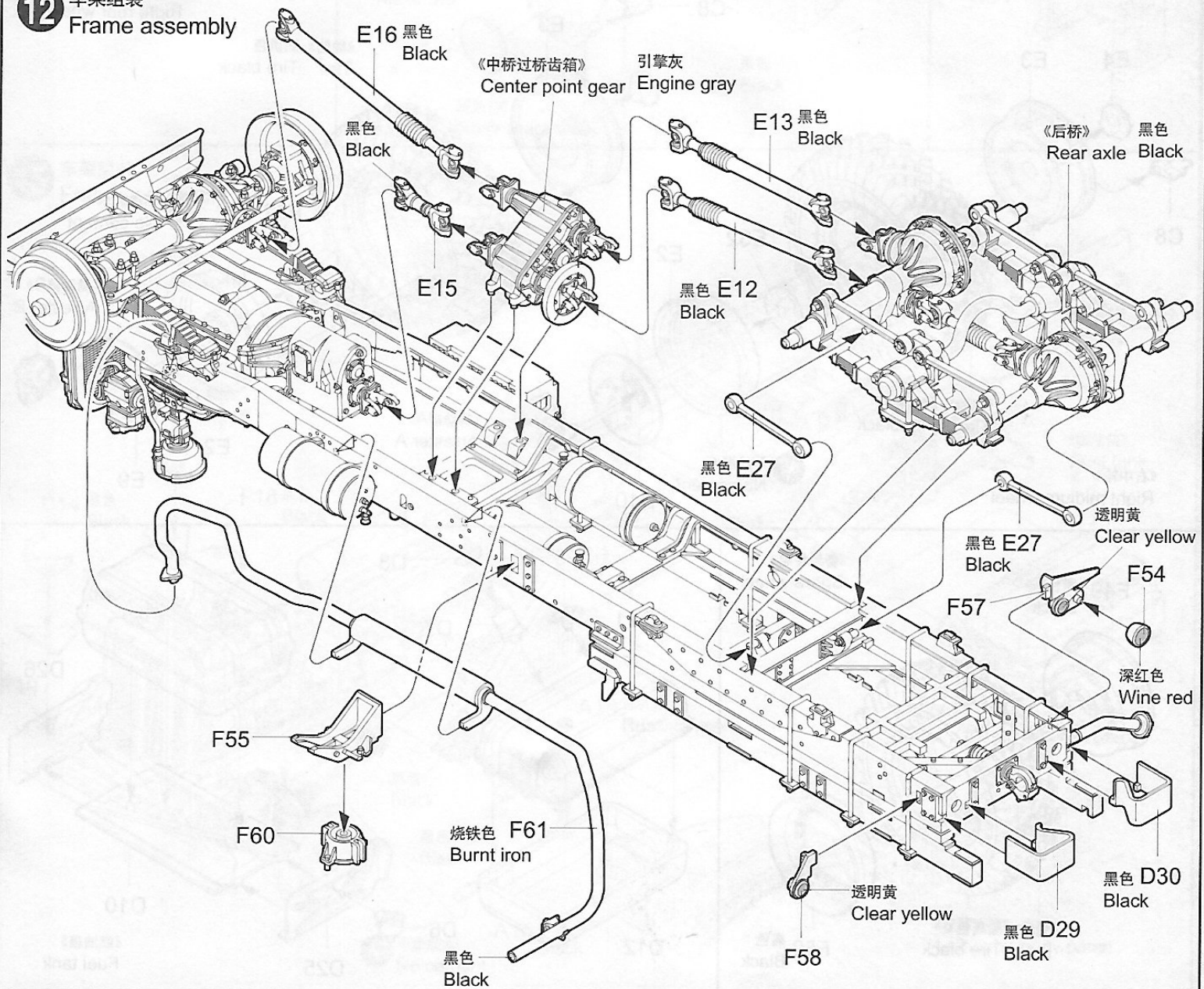


11 车架组装
Frame assembly

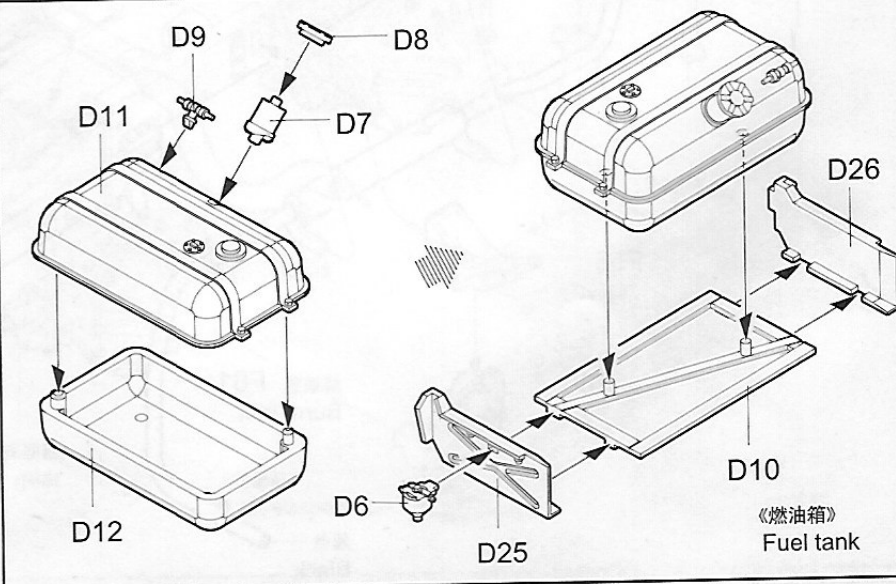
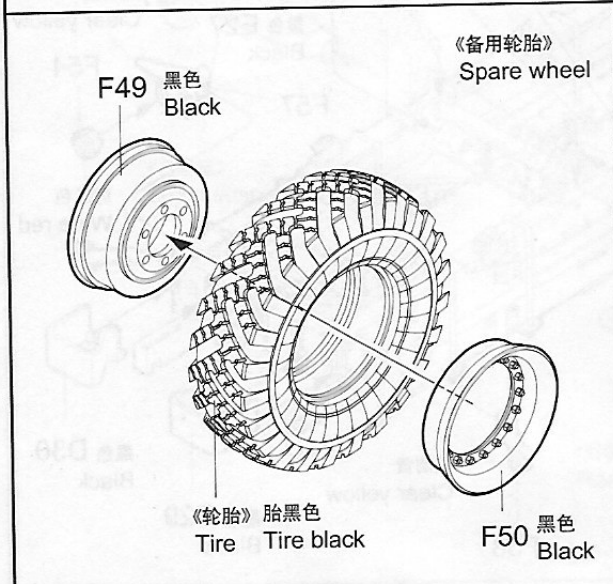
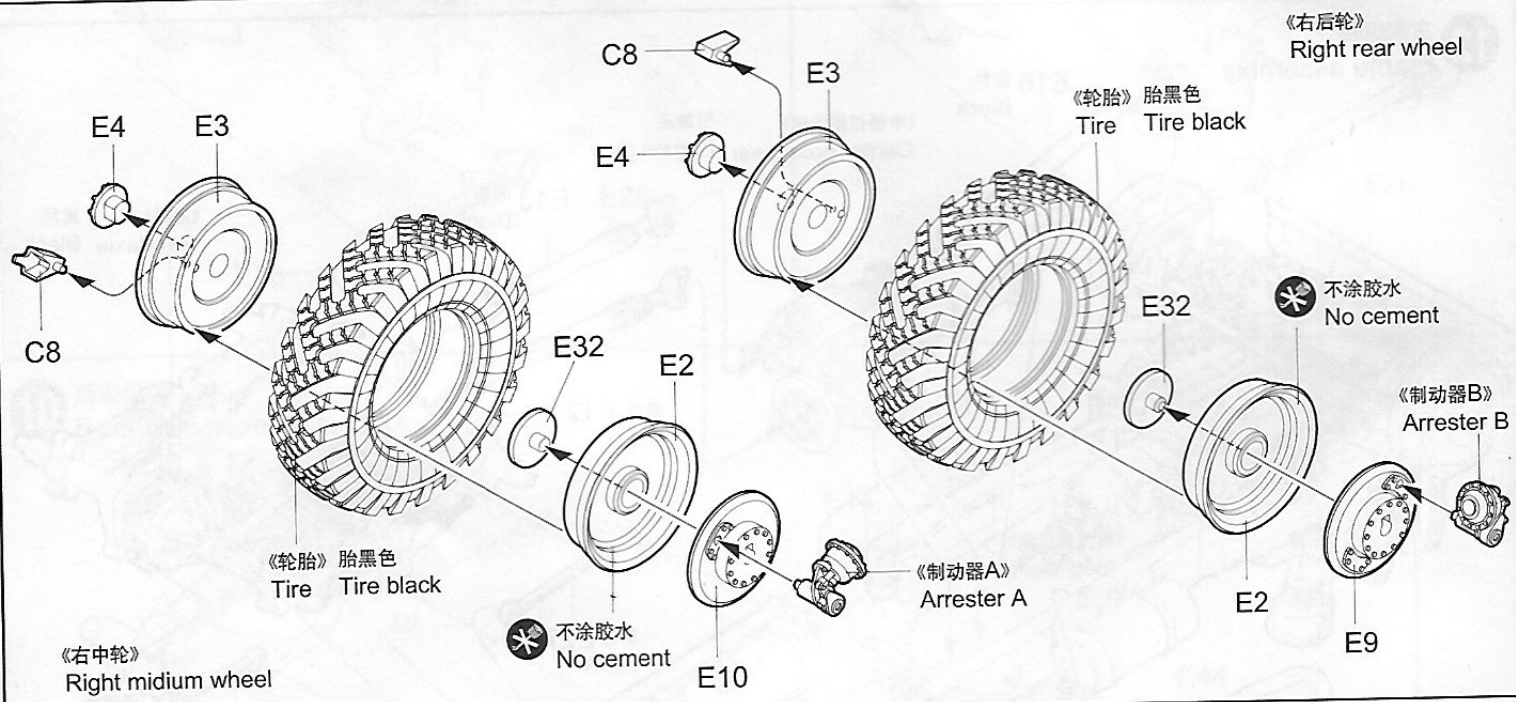
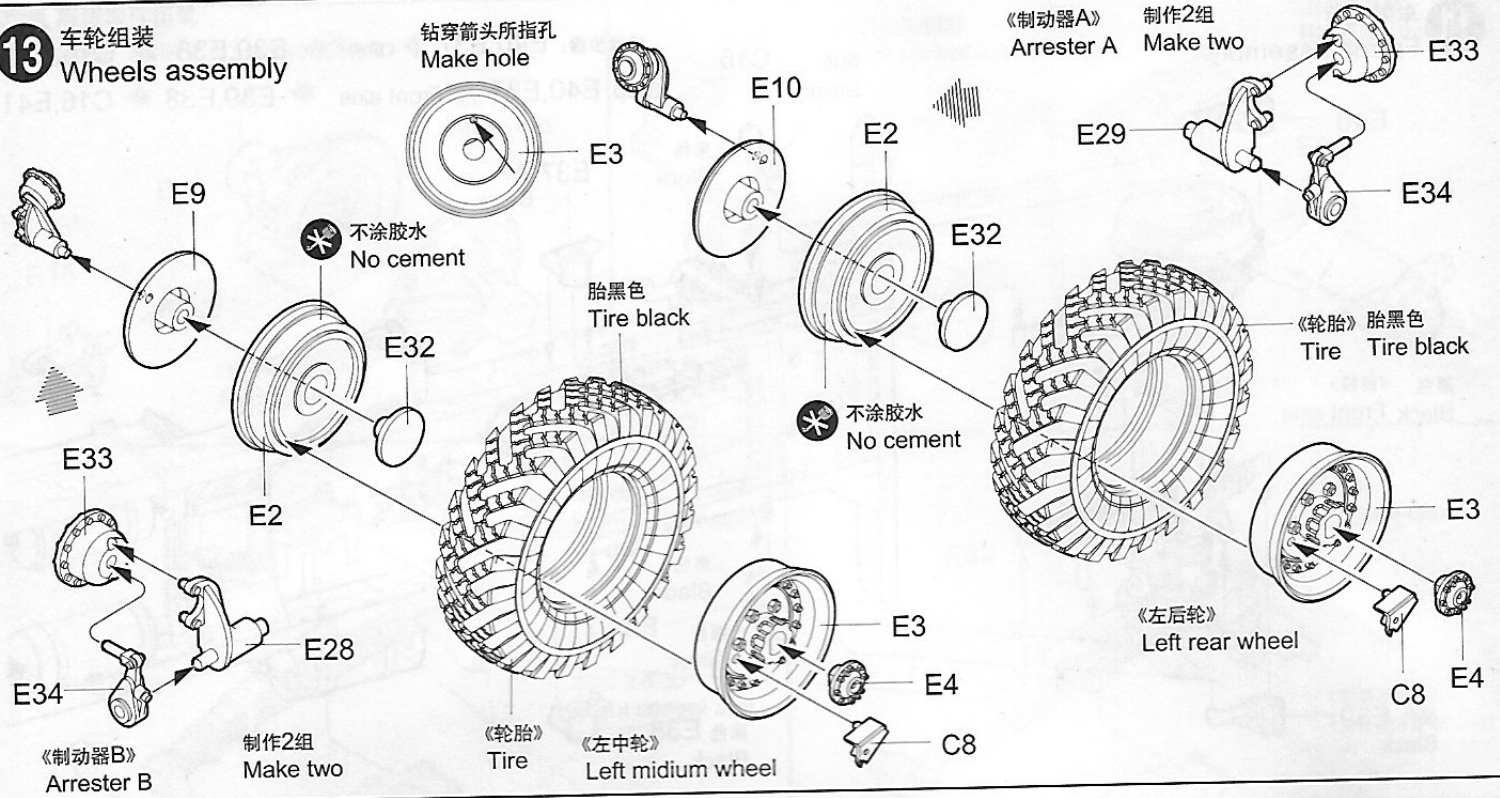
参考步骤: E40,E37 ▶ 《前桥》 ▶ E39,E38 ▶ C16,E41
Step: E40,E37 ▶ Front axle ▶ E39,E38 ▶ C16,E41



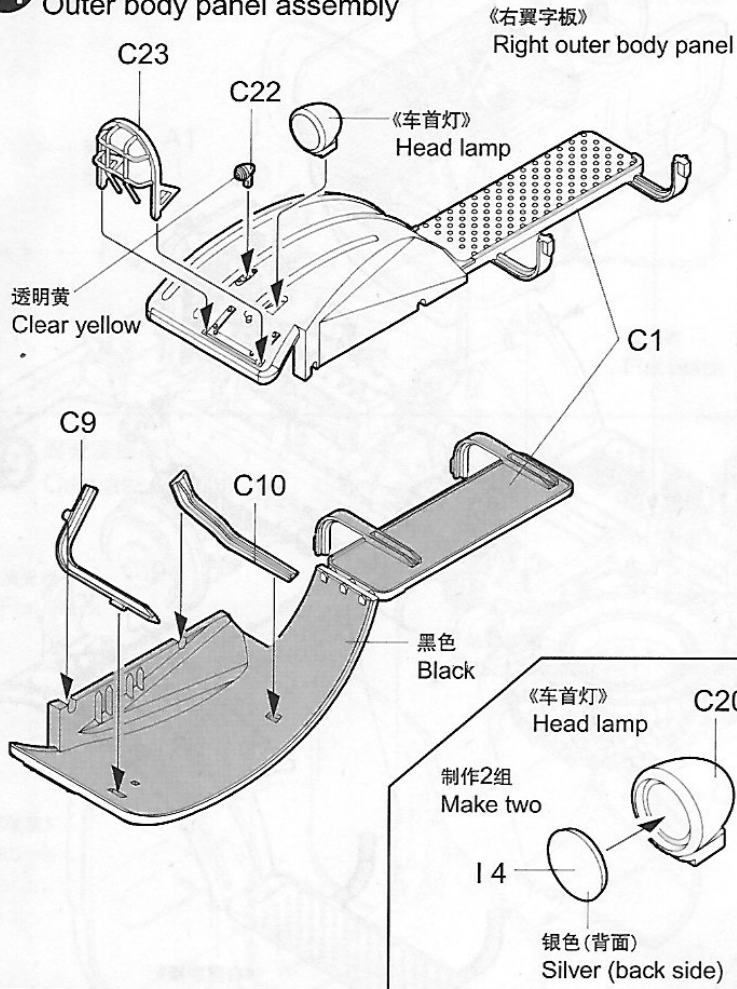
12 车架组装
Frame assembly



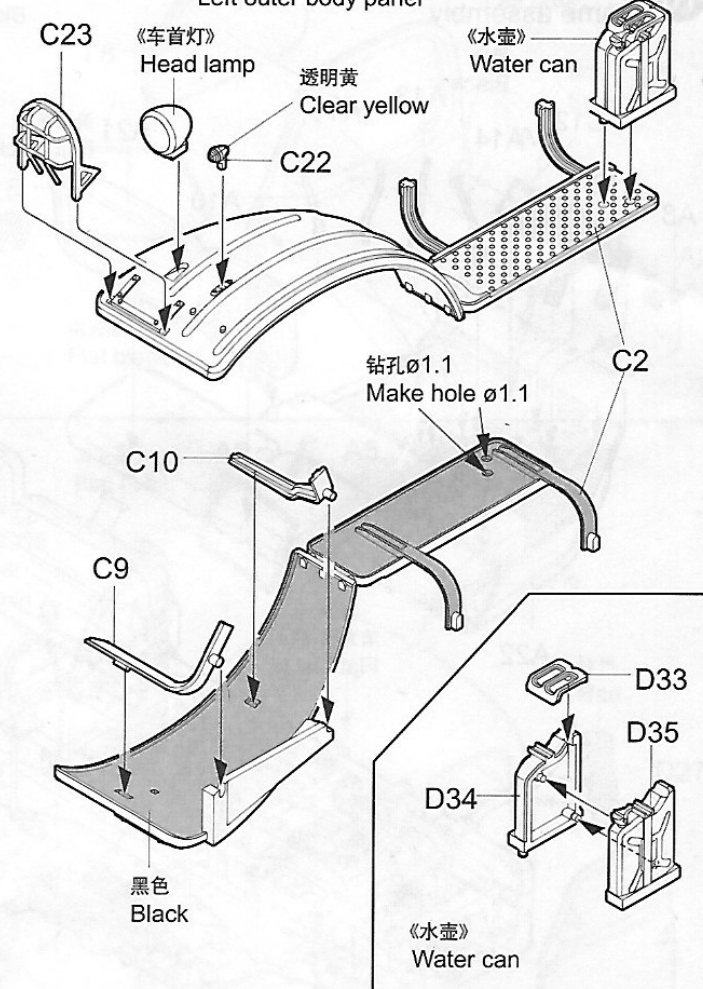
13 车轮组装
Wheels assembly



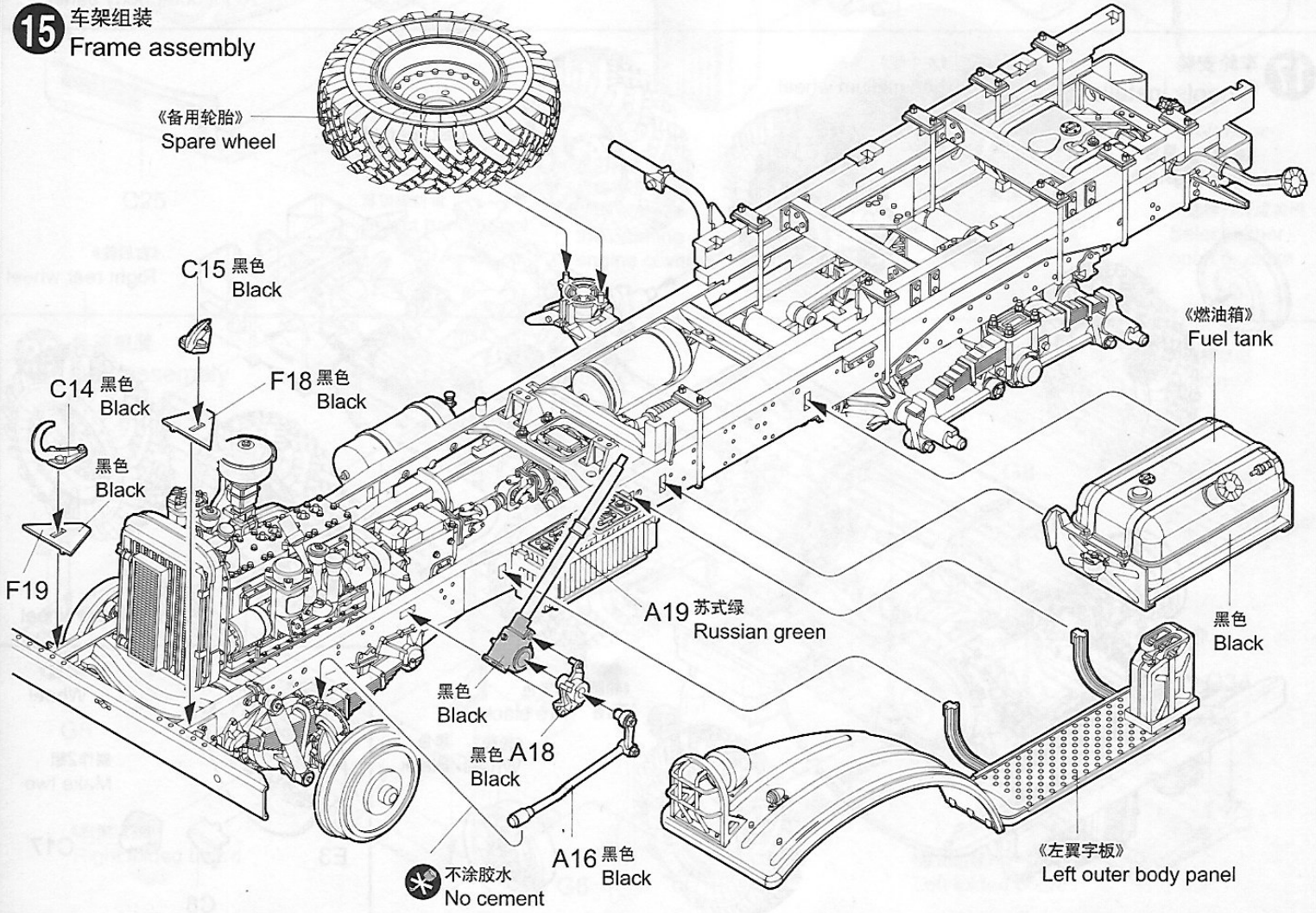
14 翼字板组装
Outer body panel assembly



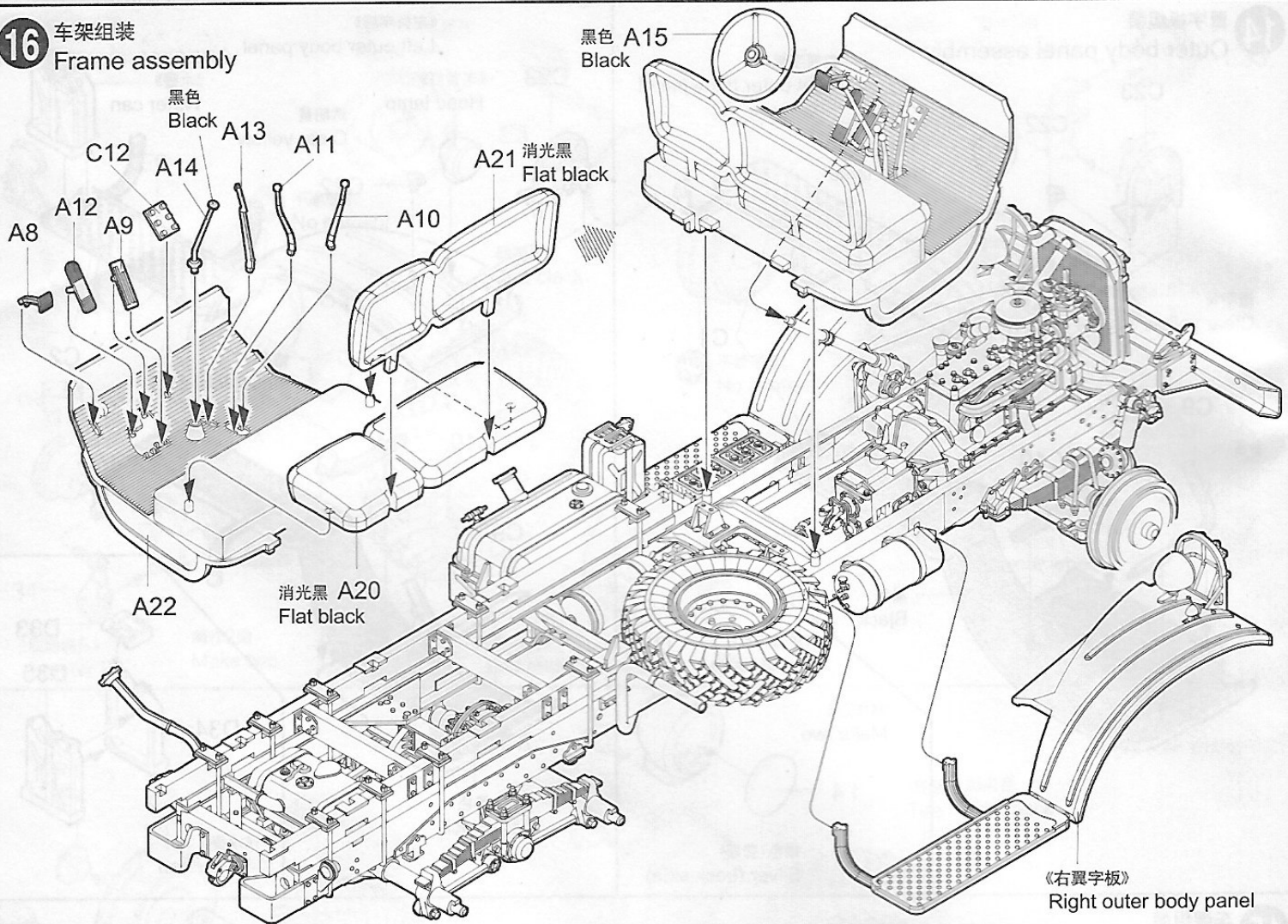
《左翼字板》
Left outer body panel



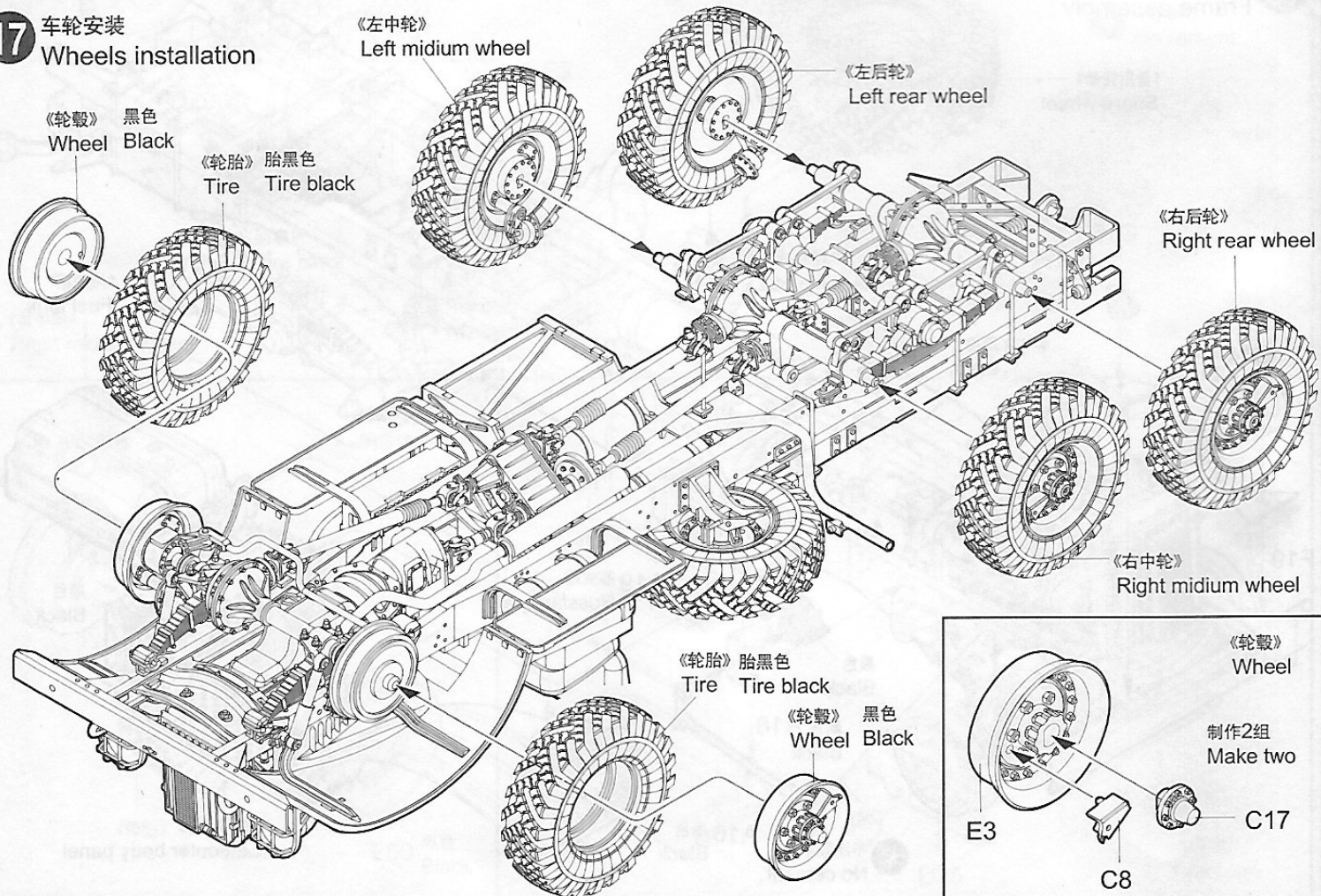
15 车架组装
Frame assembly



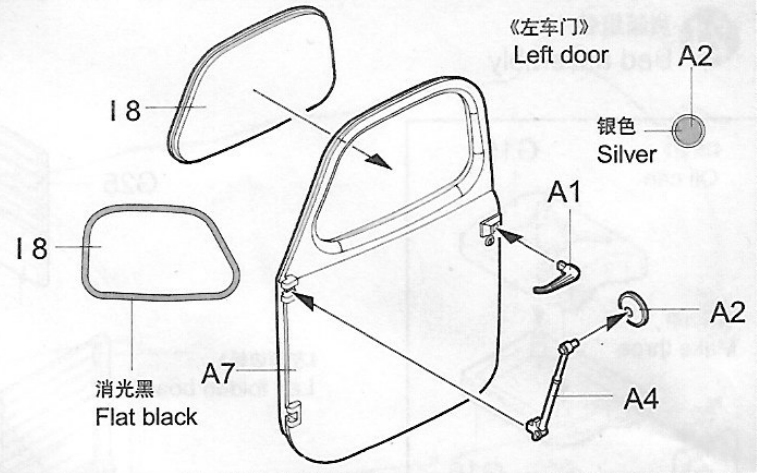
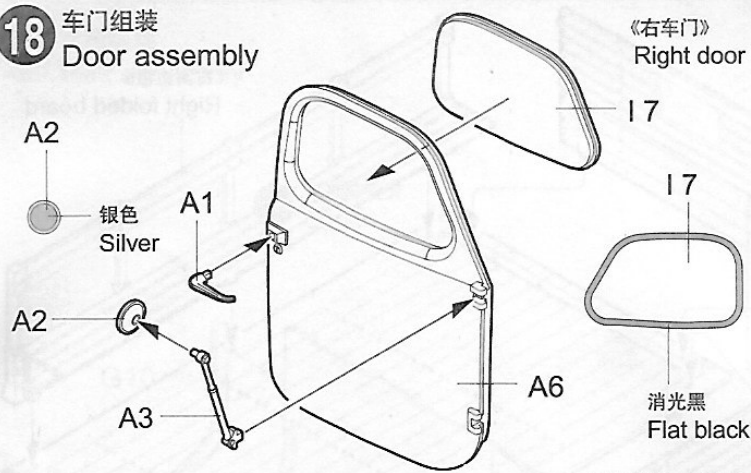
16 车架组装
Frame assembly



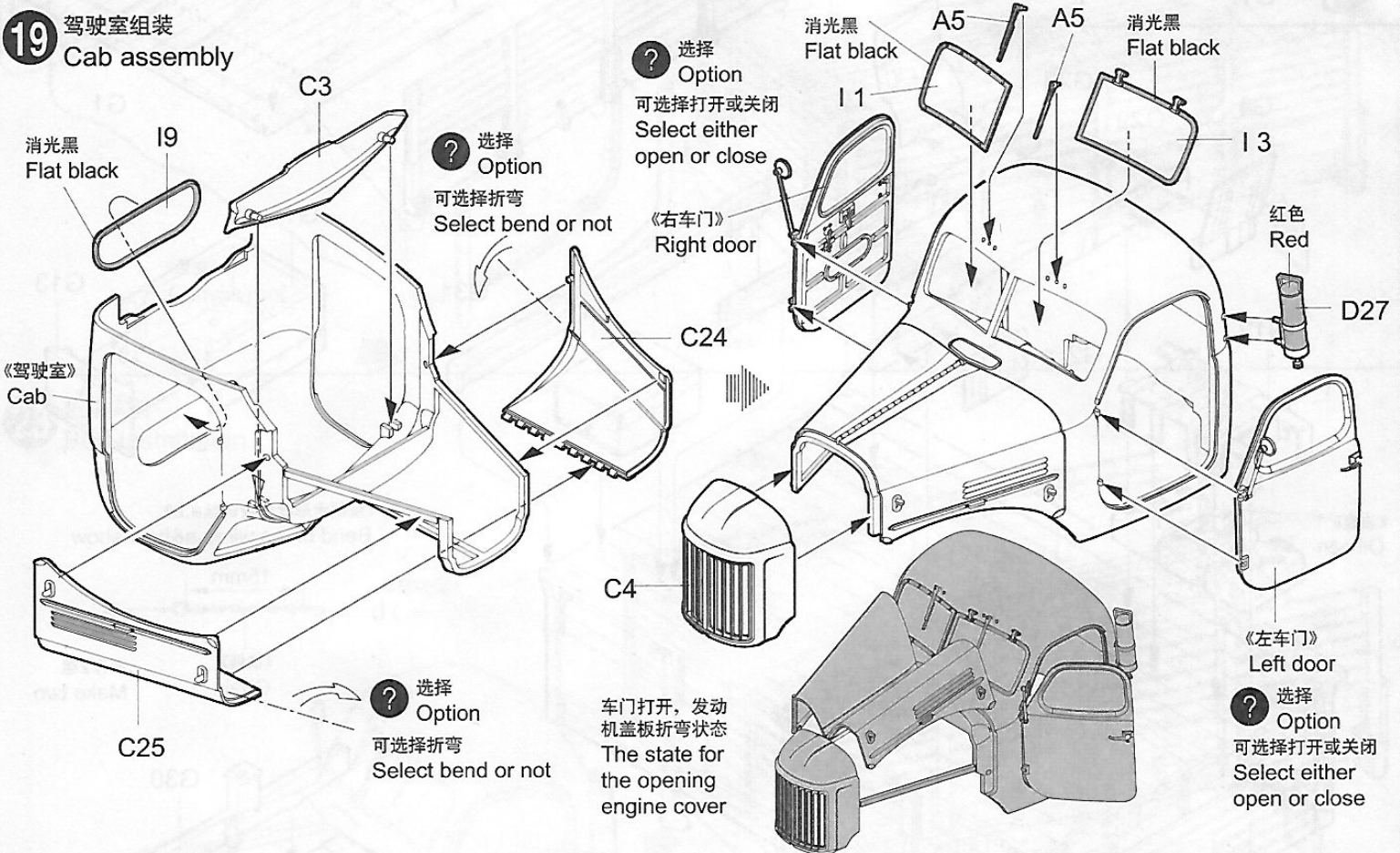
17 车轮安装
Wheels installation



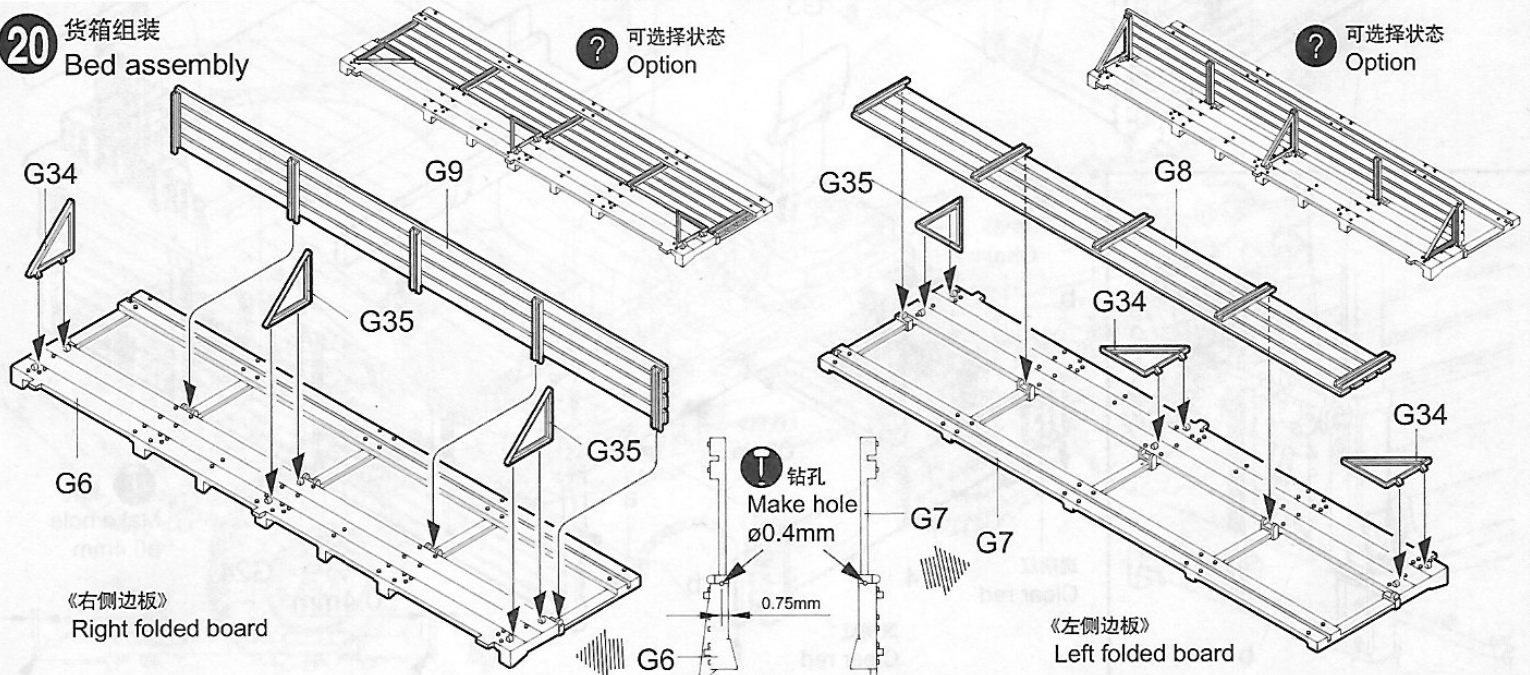
18 车门组装
Door assembly



19 驾驶室组装
Cab assembly



20 货箱组装
Bed assembly



21 货箱组装
Bed assembly

《油壶》
Oil can

G15

制作3组
Make three

G17

G16

《左侧边板》
Left folded board

G25

《右侧边板》
Right folded board

G1

G5

G28

G4

G29

G31

G14

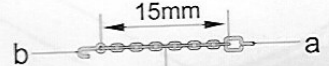
G13

G12

G2

《油壶》
Oil can

《按图示形状折弯铜丝a,b》
Bend brass wires a&b as show



《铁链》
Chain

制作2组
Make two

G30

G3

G26

a

《铁链》
Chain

b

《铁链》
Chain

G24

透明红
Clear red

透明红
Clear red

ⓘ 钻孔
Make hole
ø0.4mm

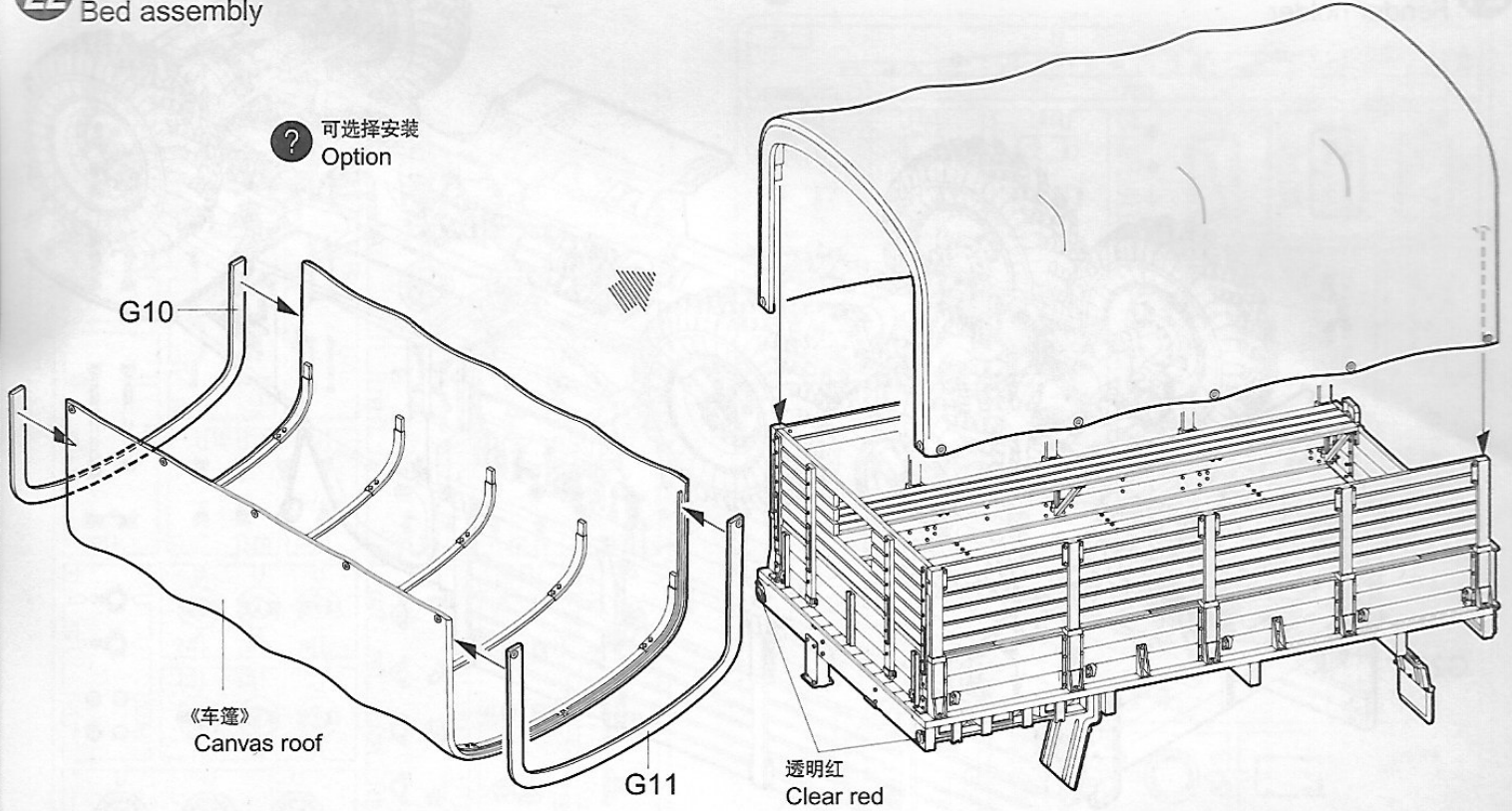
0.4mm

G24

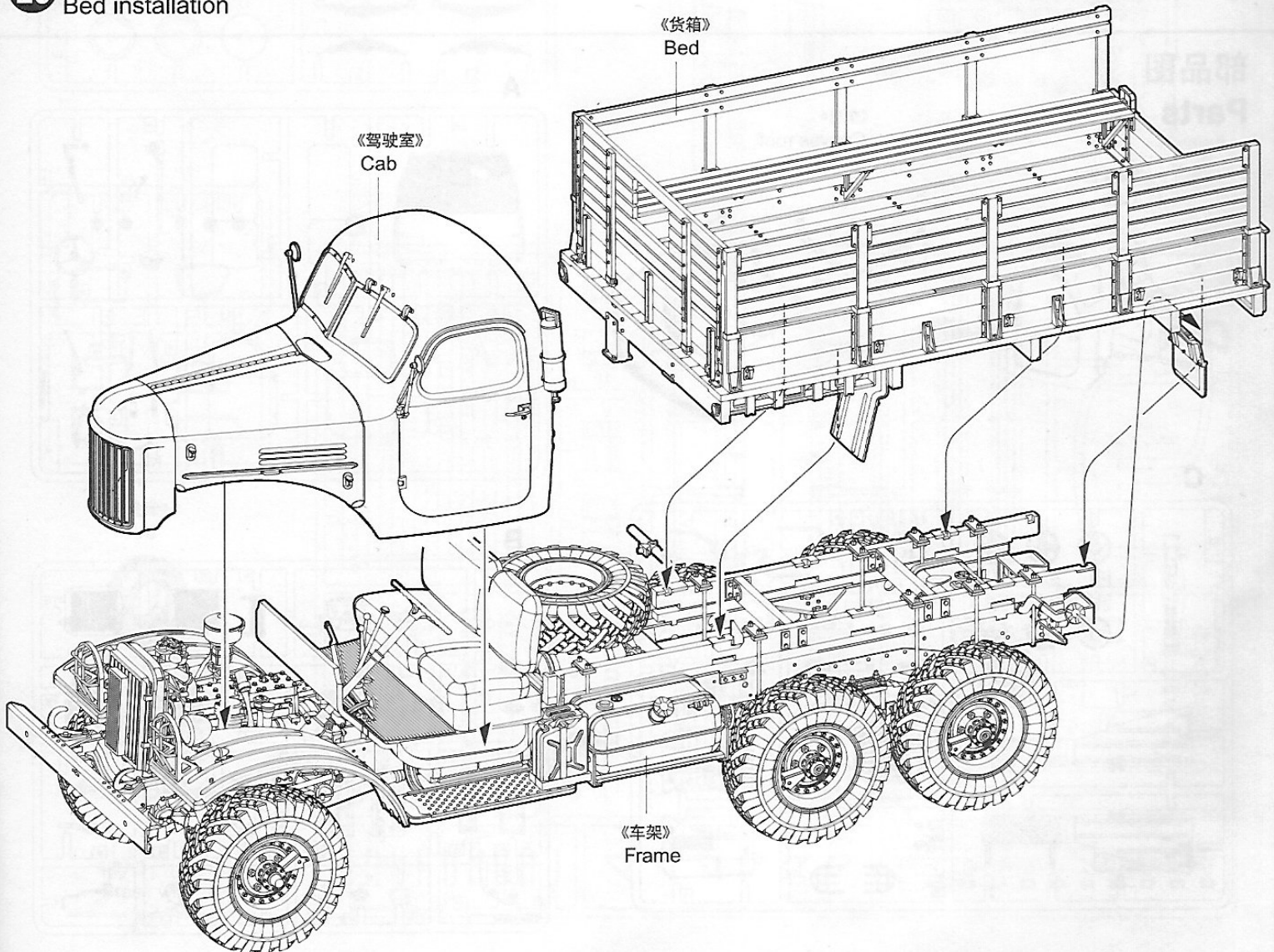
0.4mm

22 货箱组装
Bed assembly

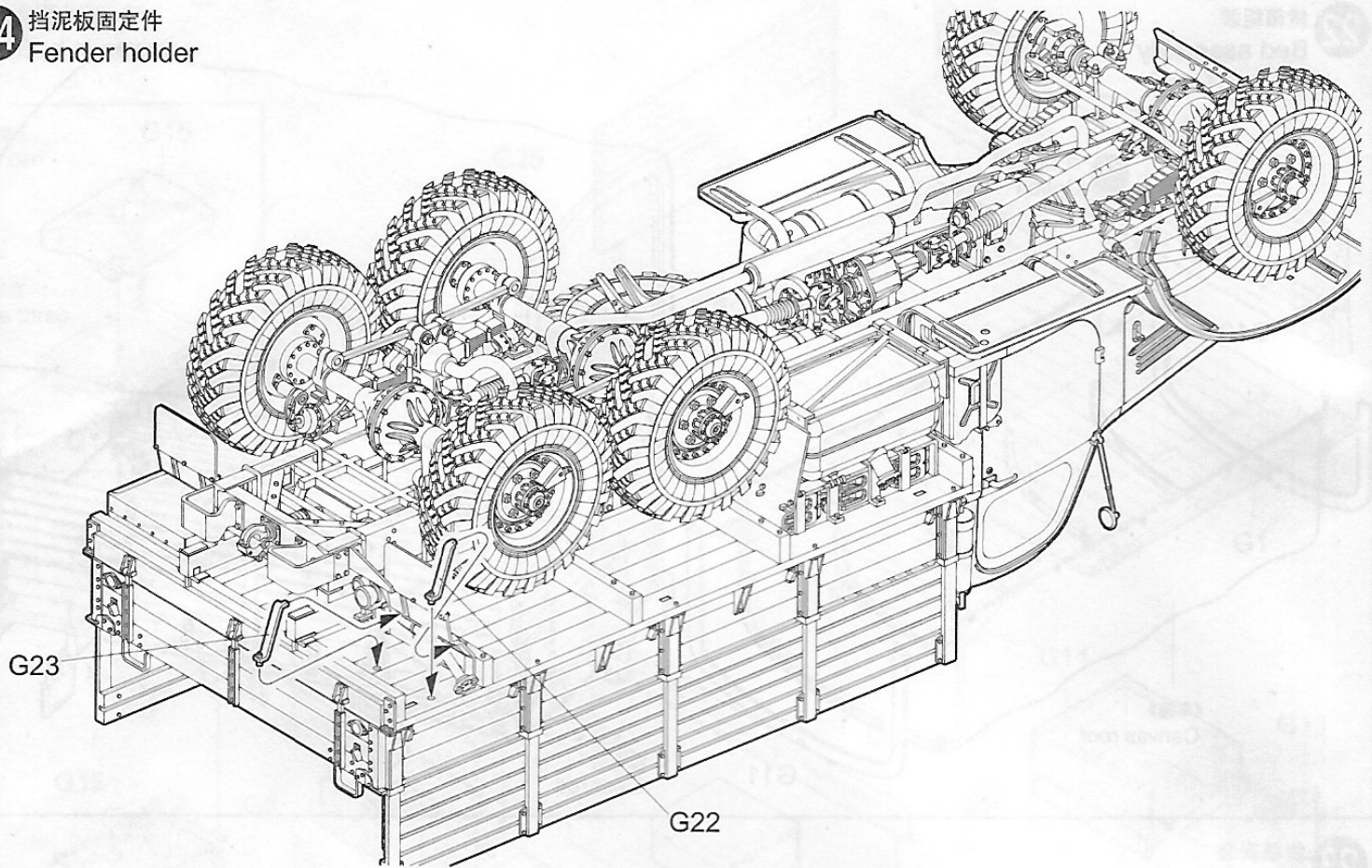
? 可选择安装
Option



23 货箱安装
Bed installation

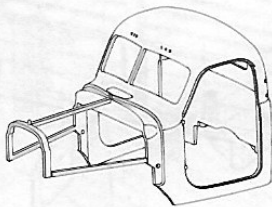


24 挡泥板固定件
Fender holder

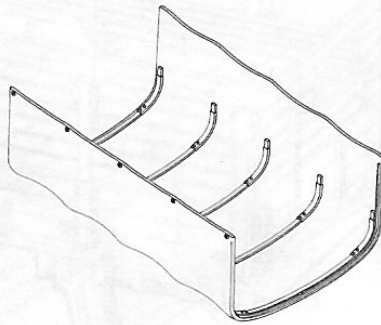


部品图
Parts

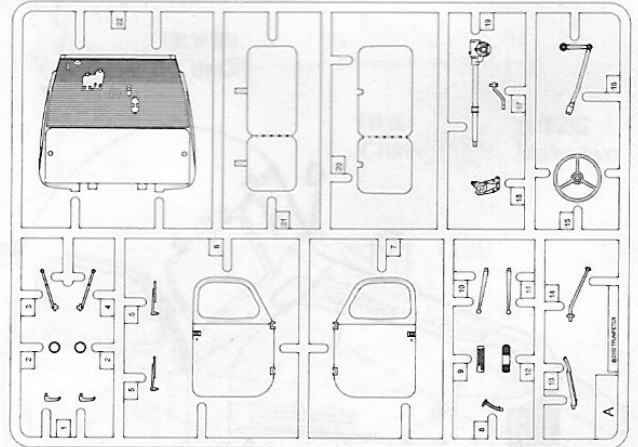
《驾驶室》
Cab



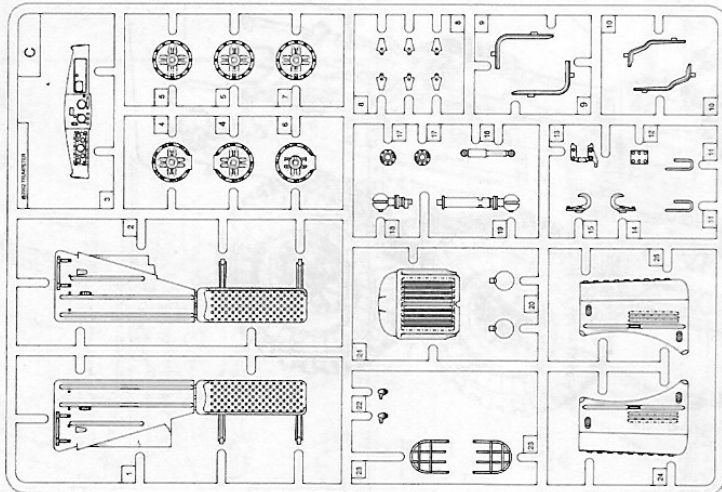
《车篷》
Canvas roof



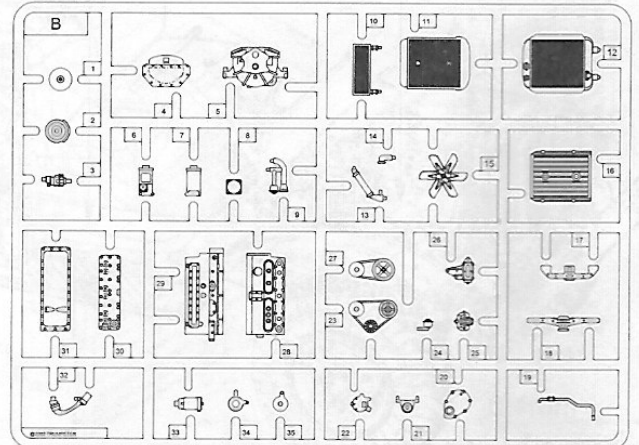
A



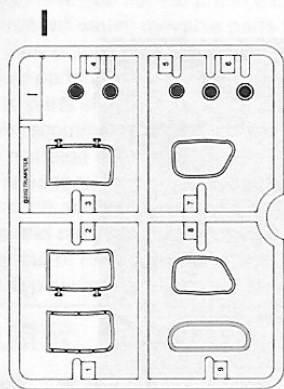
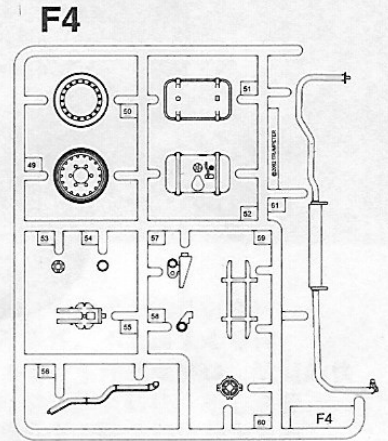
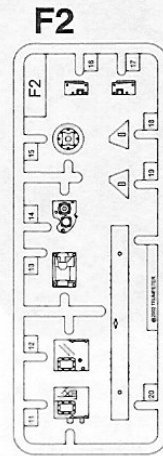
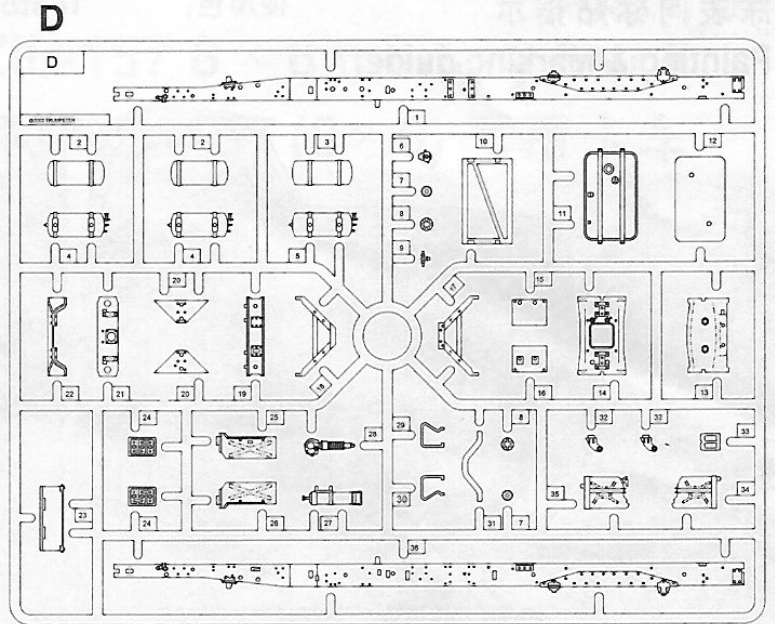
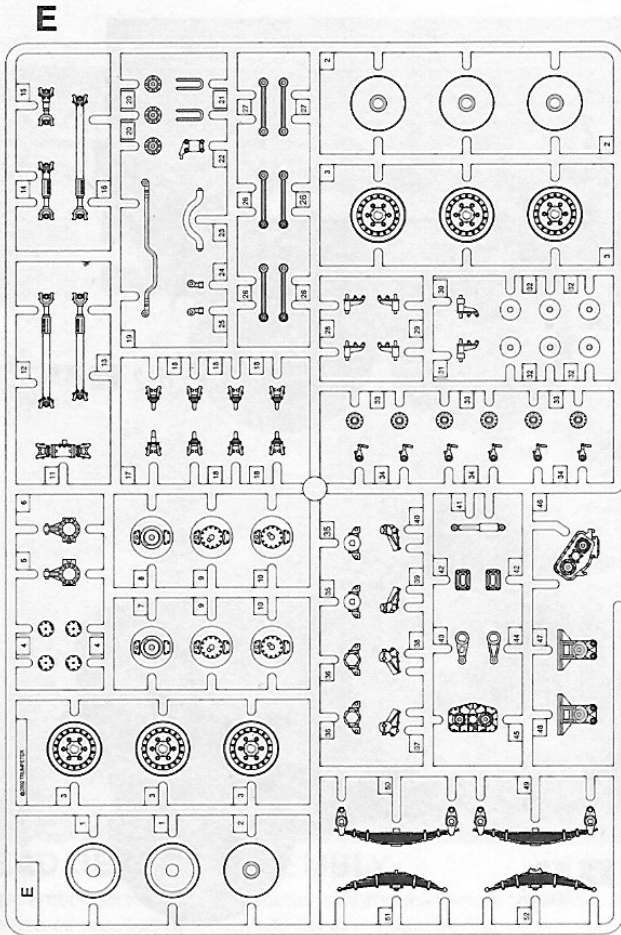
C



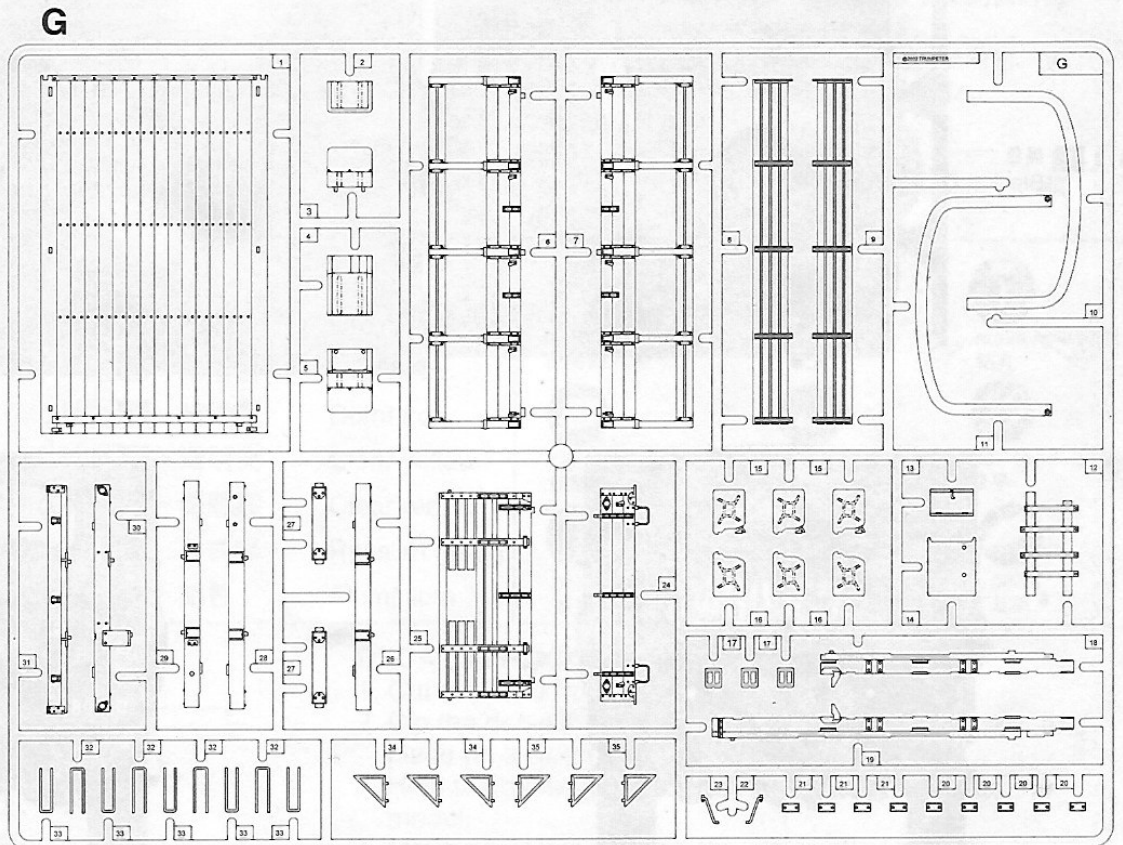
B



部品图 Parts



《水贴纸》
Decal



《轮胎》
Tire



× 7

《铁链》
Chain



《铜丝》
Brass wire



涂装同标贴指示
Painting & Marking guide

使用色:

Testors MM and Gunze Sangyo colors used

