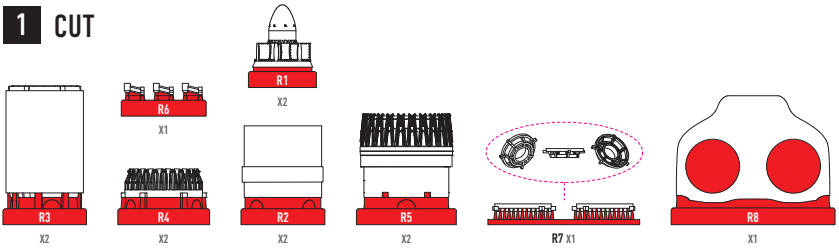
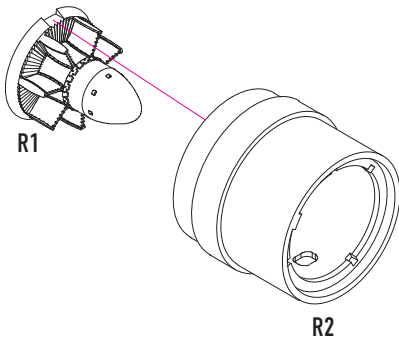


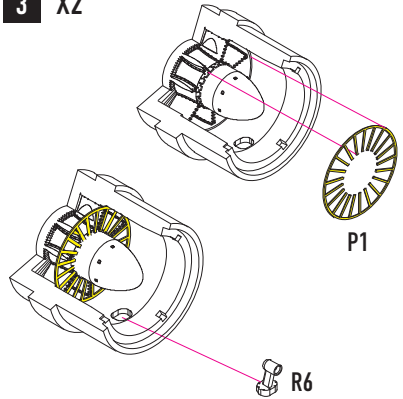
1 CUT



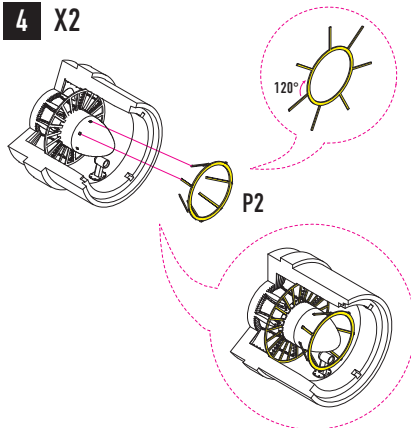
2 X2



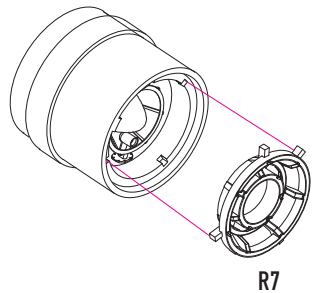
3 X2



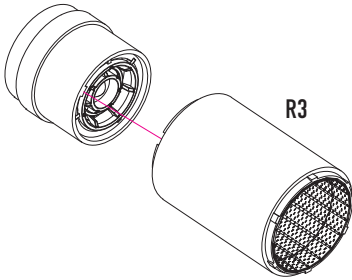
4 X2



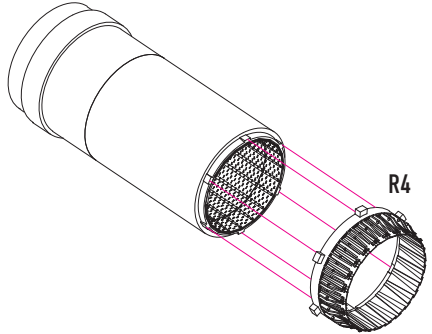
5 X2



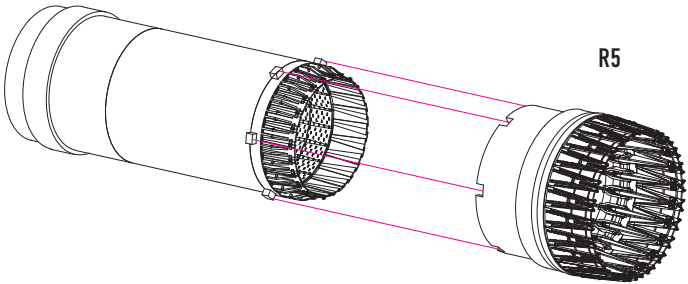
6 X2



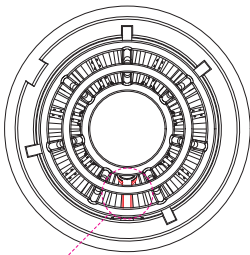
7 X2



8 X2



9



**PART R6 MUST BE
VERTICALLY DOWN**

**REPLACE PART A30
FROM THE SET**

