

C-97 USAF MATS



The C-97 was designed in the late 1940's and served primarily as a transport aircraft for the U.S. Air Transport Service for almost 30 years. During this time the venerable C-97 filled many other specialized roles and carried many marking schemes but few rival the distinctive MATS color and marking scheme showing Atlantic or Pacific divisions of the U.S. Air Force.

Minicraft Models 1/144 scale C-97 represents MATS aircraft from the early 1950's to the late 1960's. This kit features 2 decal marking options printed by Cartograf.

Marking include in this kit are:

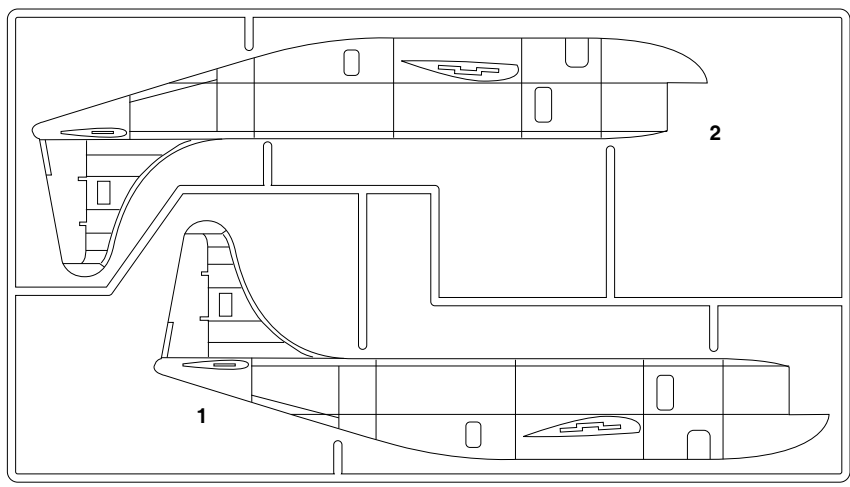
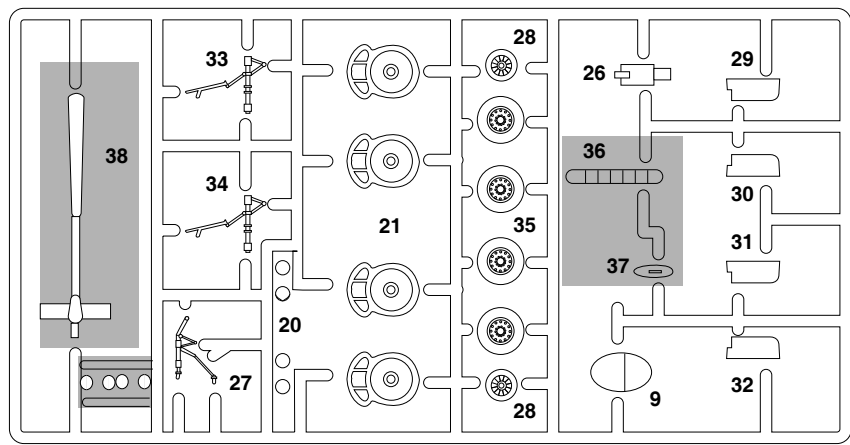
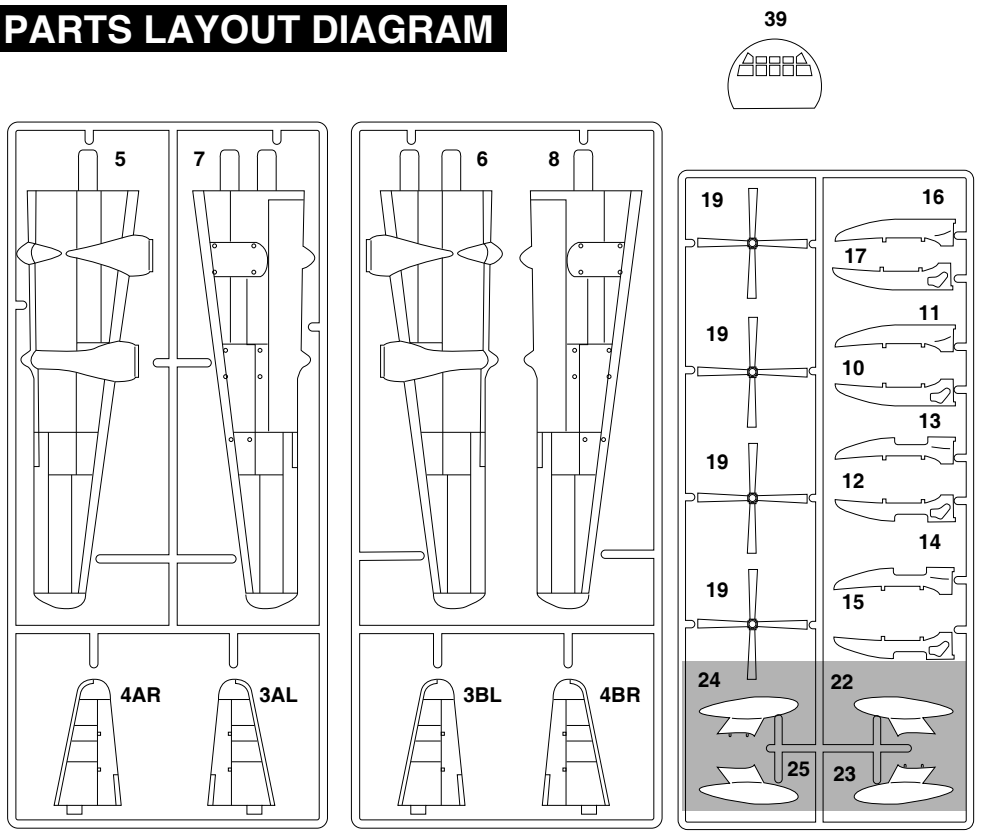
USAF C-97A, MATS, early-1950's*

USAF C-97G (52-2607), Pennsylvania ANG, England, 1967

Minicraft Models, 1501 Commerce Drive, Elgin IL 60123 USA

www.minicraftmodels.com

PARTS LAYOUT DIAGRAM



Shaded parts not used in this kit.



Cement
Coller
Kleben
Pegar
Incollare
Colar
Kleven



DO NOT Cement
Ne pas Coller
Nicht Kleben
No Pegar
Non Incollare
Nao Colar
Niet Kleven

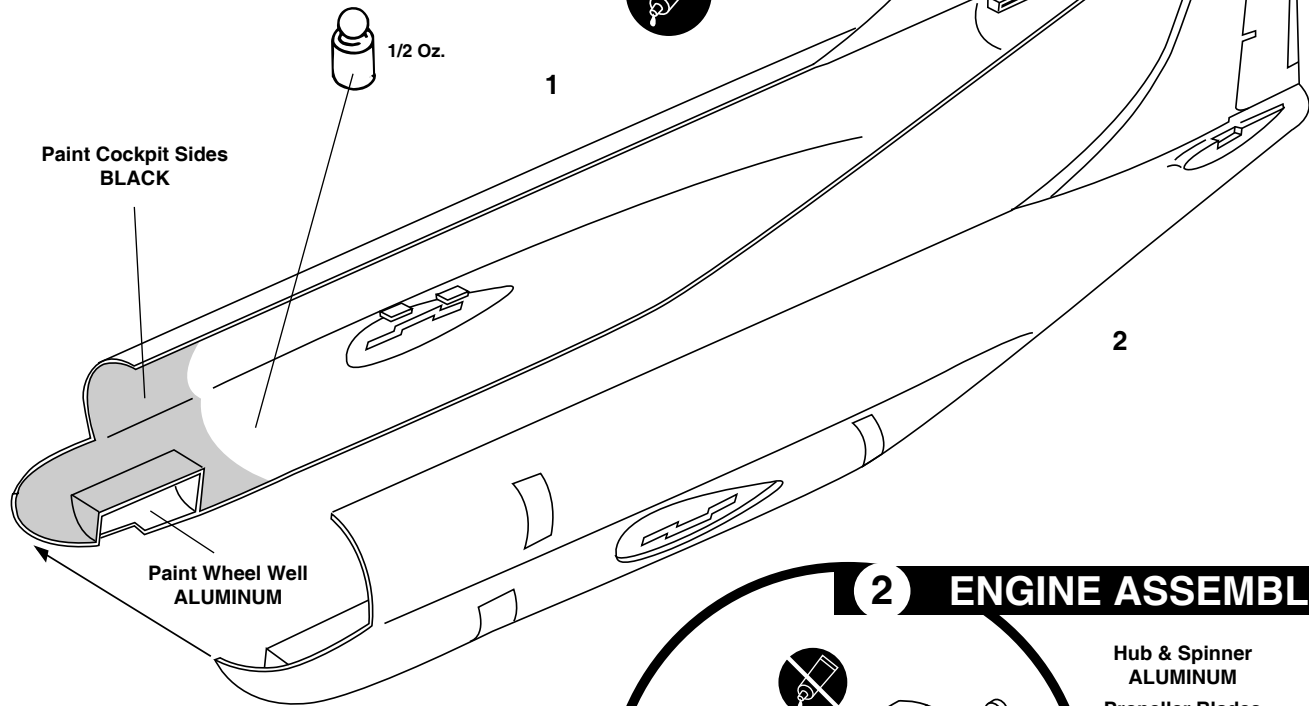


Cut away
Couper
Scheiden
Cortar
Tagliere
Cortar
Snijden

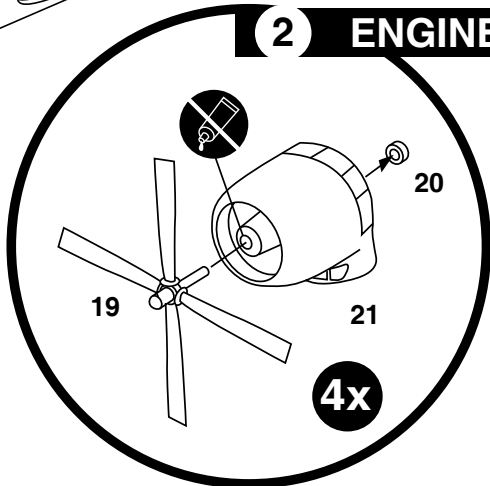


Optional parts
Choix
Auswahlmoglichkeit
Eleccion
Scelta
Opaco
Keuze

1 FUSELAGE ASSEMBLY

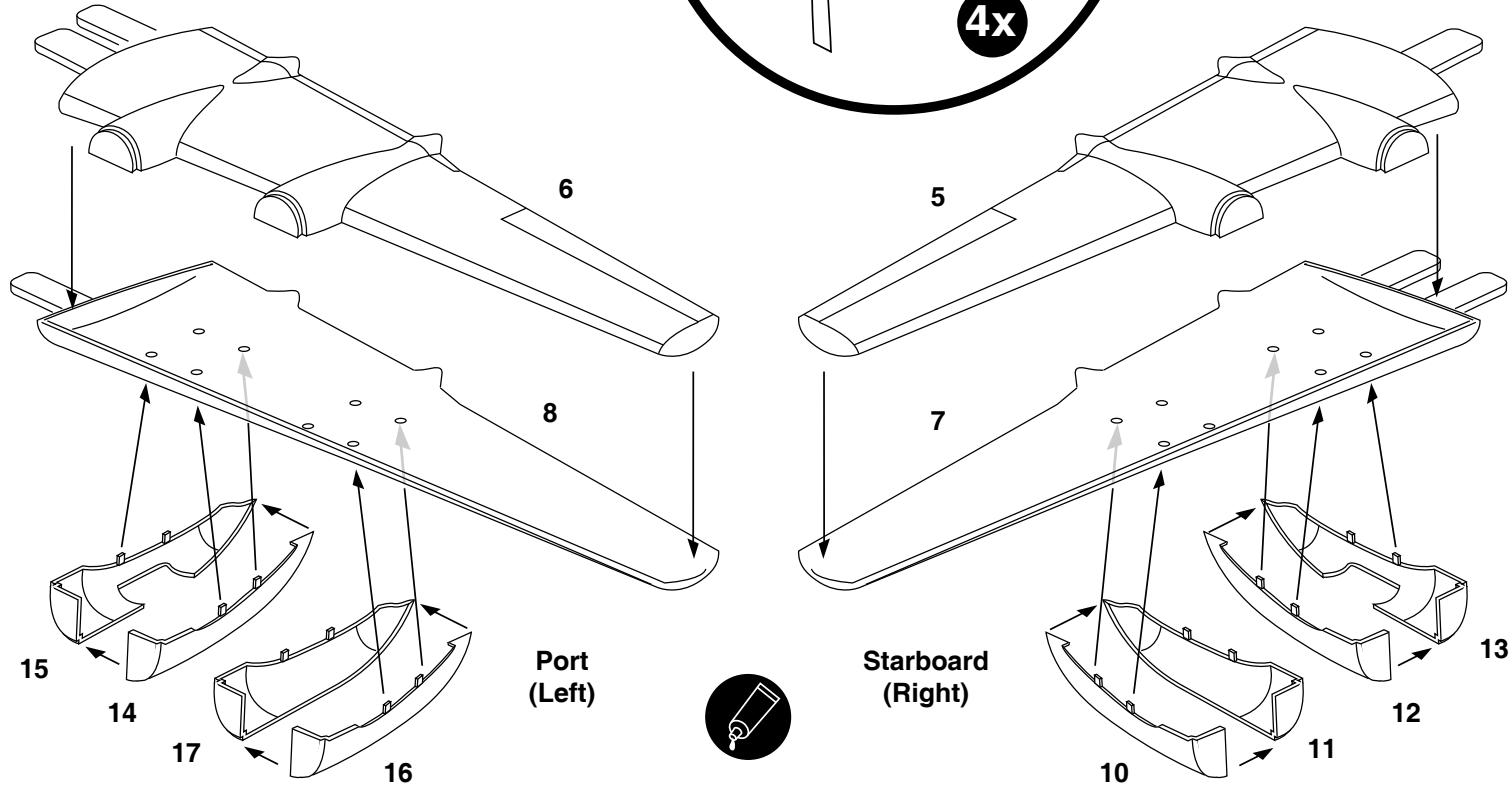


2 ENGINE ASSEMBLY



Hub & Spinner
ALUMINUM
Propeller Blades
BLACK

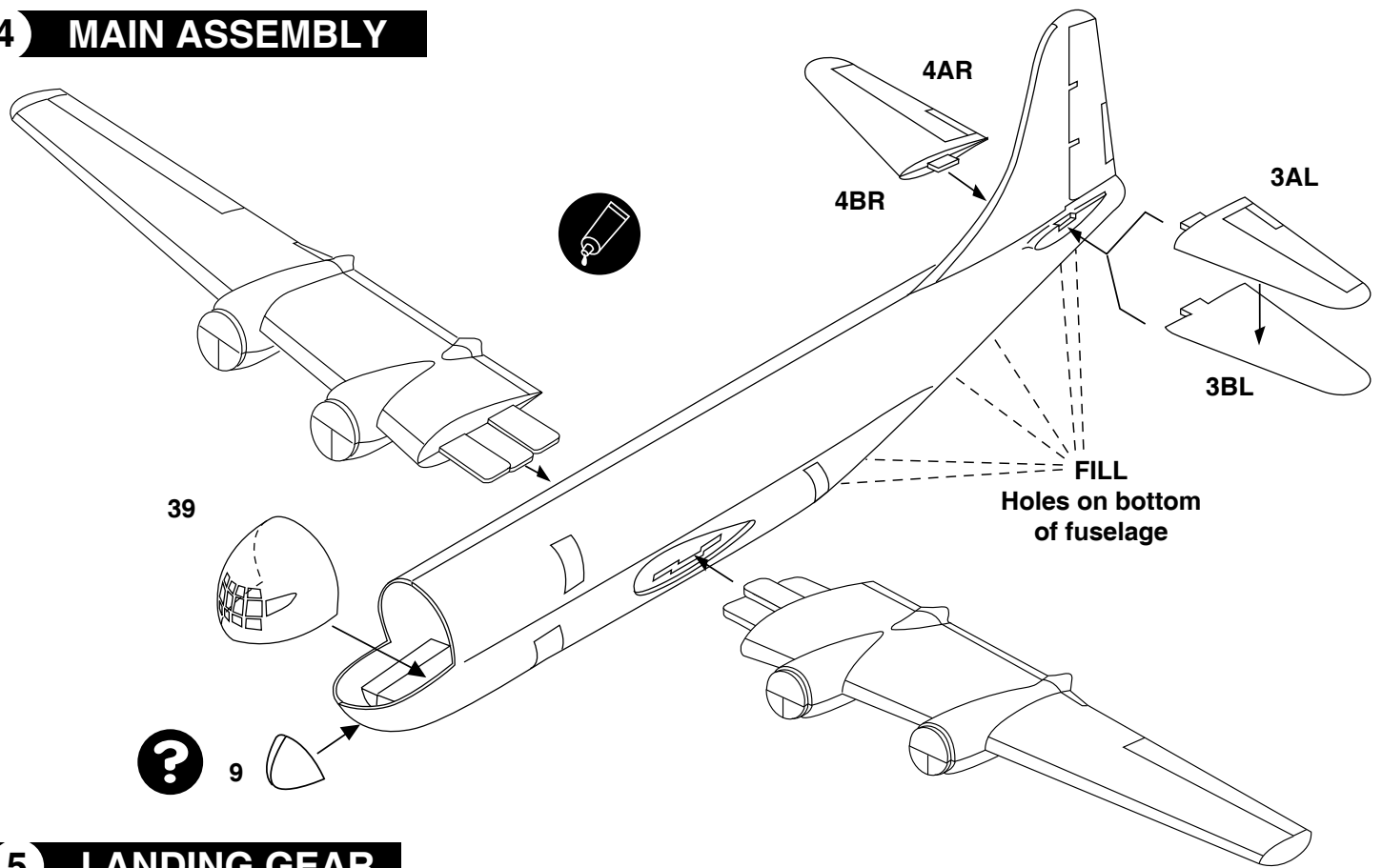
3 WING ASSEMBLY



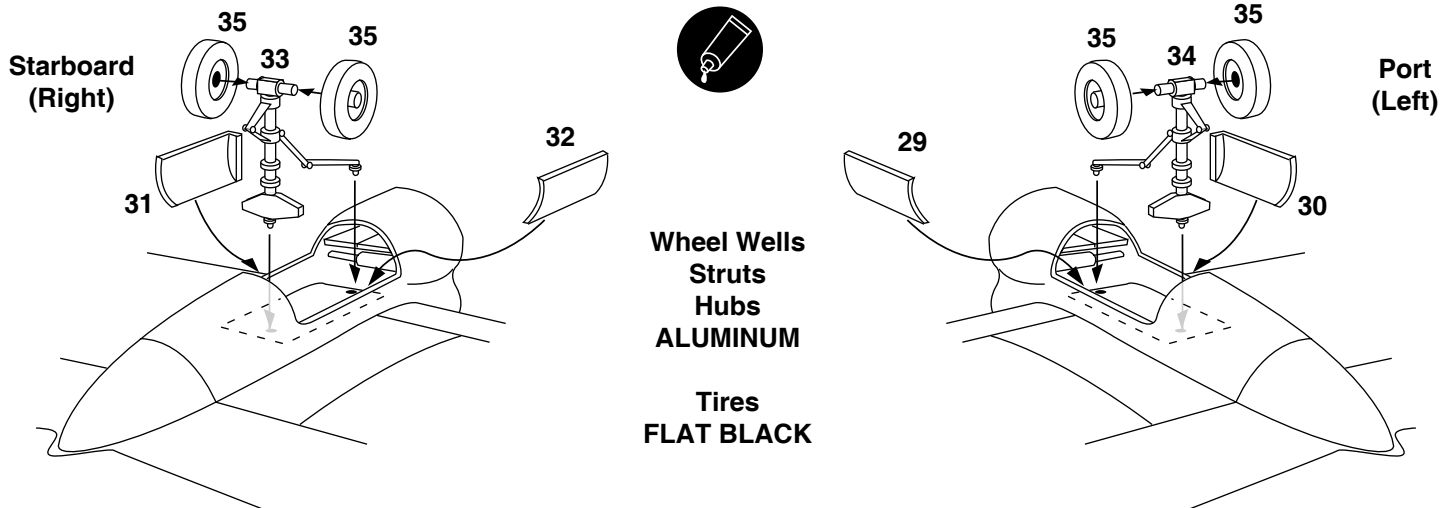
Port
(Left)

Starboard
(Right)

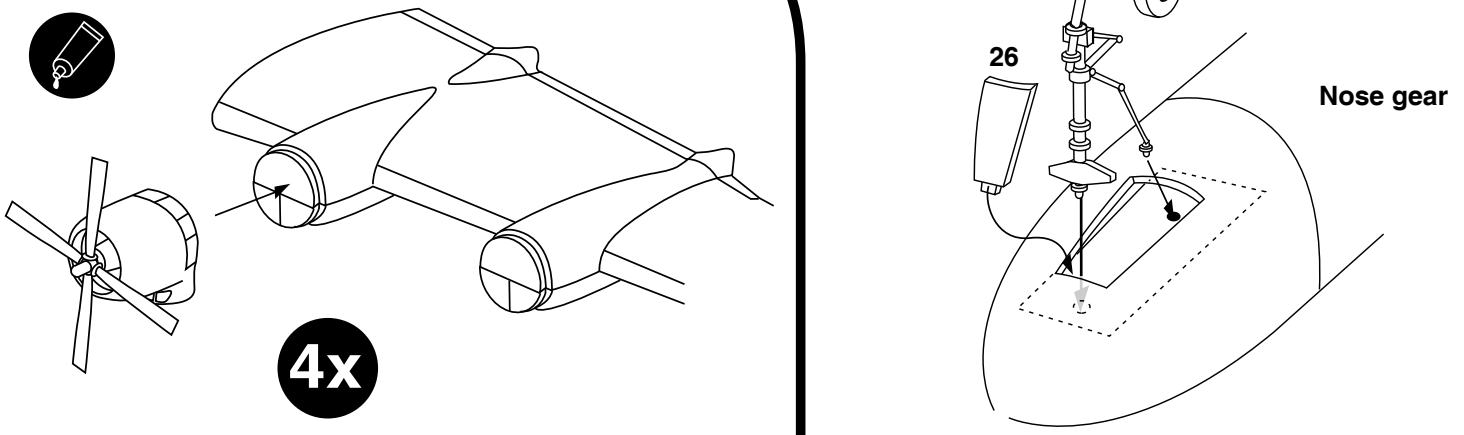
4 MAIN ASSEMBLY



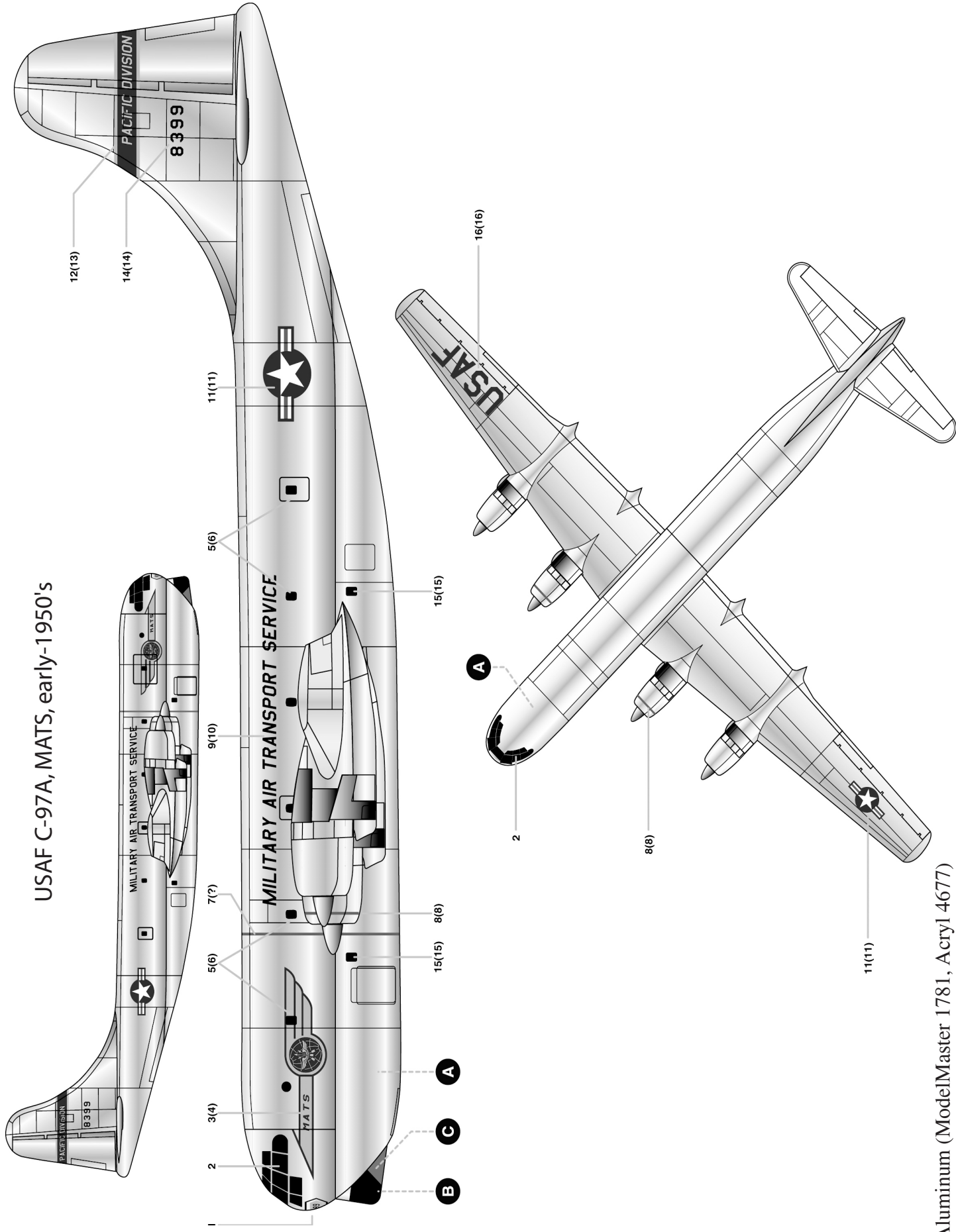
5 LANDING GEAR



6 POWERPLANT ASSEMBLY



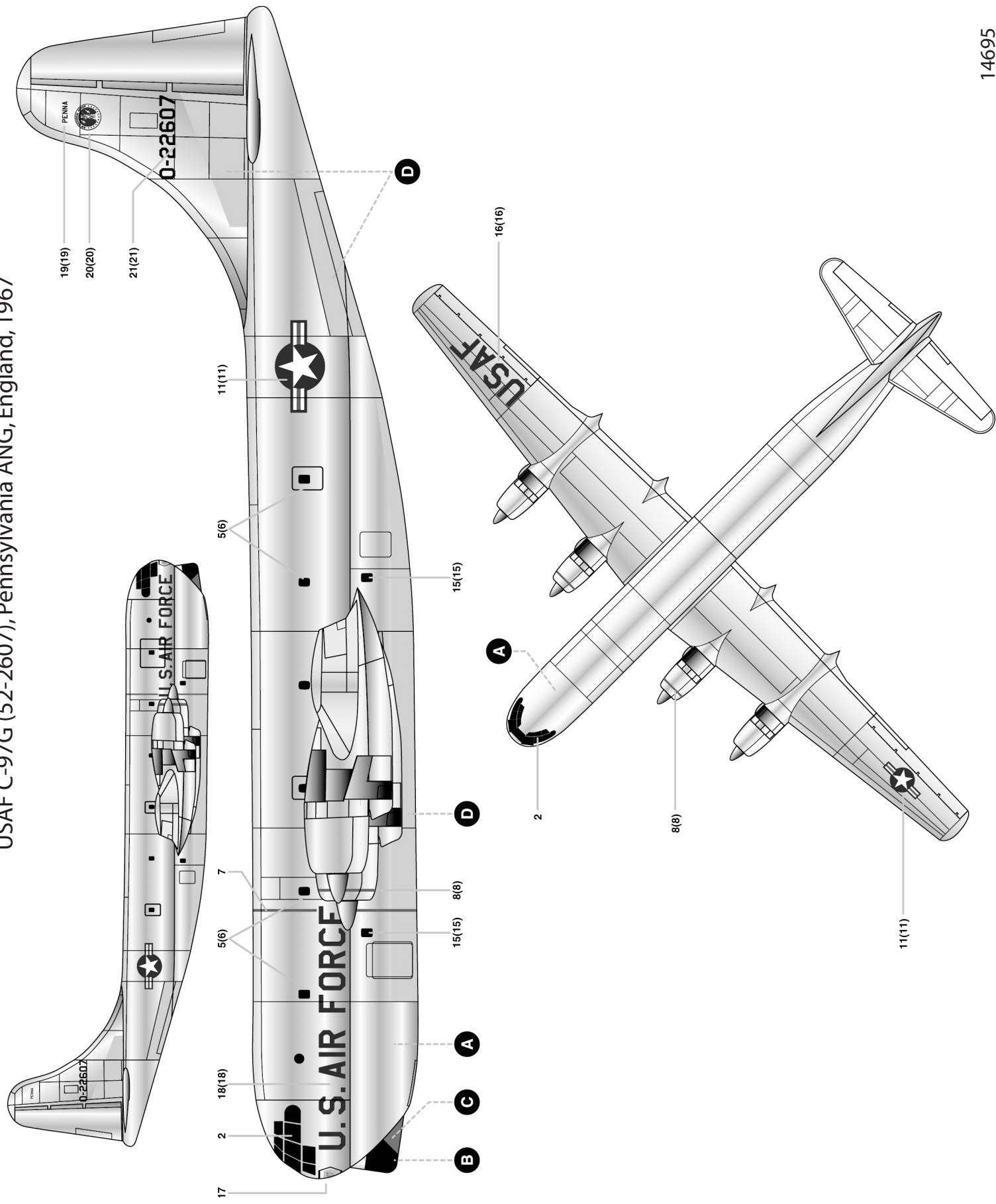
USAF C-97A, MATS, early-1950's



PAINTS

- A Aluminum (ModelMaster 1781, Acryl 4677)
- B Black & Weathered Black (ModelMaster 1749, Acryl 4768)
- C FS30117 Brown (ModelMaster 1701, Acryl 4707)
- D FS16473 Aircraft Gray (ModelMaster 1731, Acryl 4693)

USAF C-97G (52-2607), Pennsylvania ANG, England, 1967



Your Minicraft model includes high-quality waterslide decals. These decals adhere best to a glossy surface; and it is recommended that you apply a clear gloss coat over your painted model.

Use a sharp scissors or knife to cut individual decals from the carrier sheet. Do not cut into the clear film surrounding the individual decals.

* It is recommended that you apply one decal at a time.

* Place the decal section in warm water, when first inserted in the water your decal will curl, after approximately ten seconds the decal will uncurl. Remove from water and lay on a paper towel. After approximately 10 - 20 seconds the decal will slide freely from the backing paper. Use a small brush to help slide the decal from the backing paper and into position on the model. Carefully blot excess water from the decal, using care not to move the decal or tear it.

* If you choose to use a setting solution, apply a thin coat over the decal following the manufacturer's instruction.

* Allow the decal to dry overnight. Wash any adhesive residue off the model with a small amount of clean water and dry thoroughly.

* Apply clear gloss, matte or flat coat to seal decals following the instructions from the manufacturer.



Legends in the making™

Visit our Website-
www.minicraftmodels.com

Minicraft Models (US) LLC
1501 Commerce Drive
Elgin, IL 60123

Phone: 847-429-9676

Printed in China