

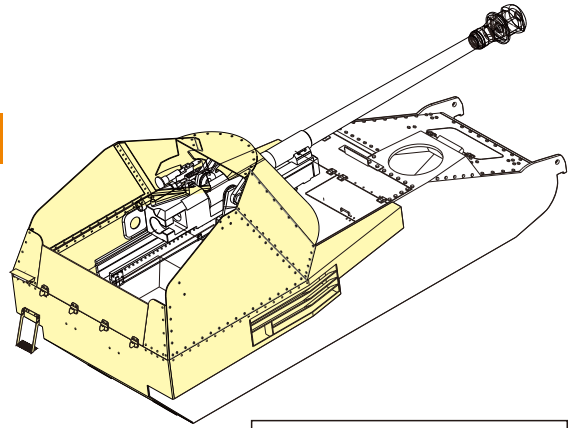
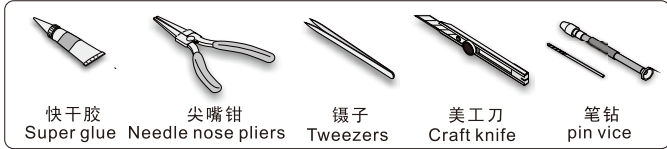
1/35 MILITARY MINIATURE VEHICLE UPGRADE SERIES PE35226











WWII German Marder III M Armour plate


二战德军黄鼠狼III M装甲板改造件

[For TAMIYA 35255]

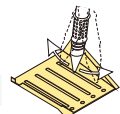
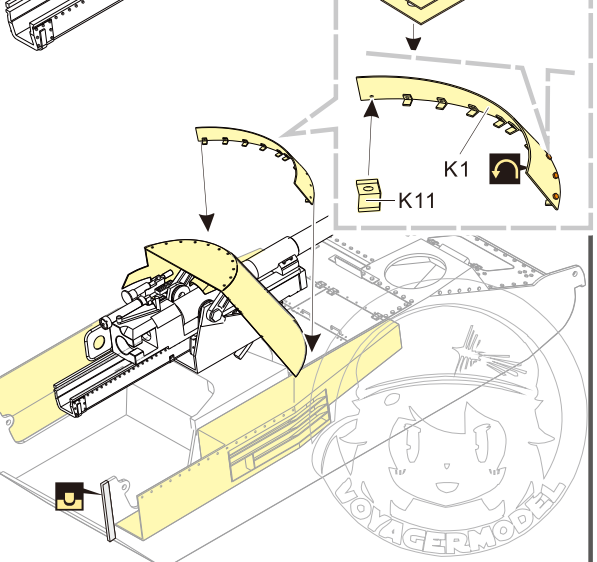
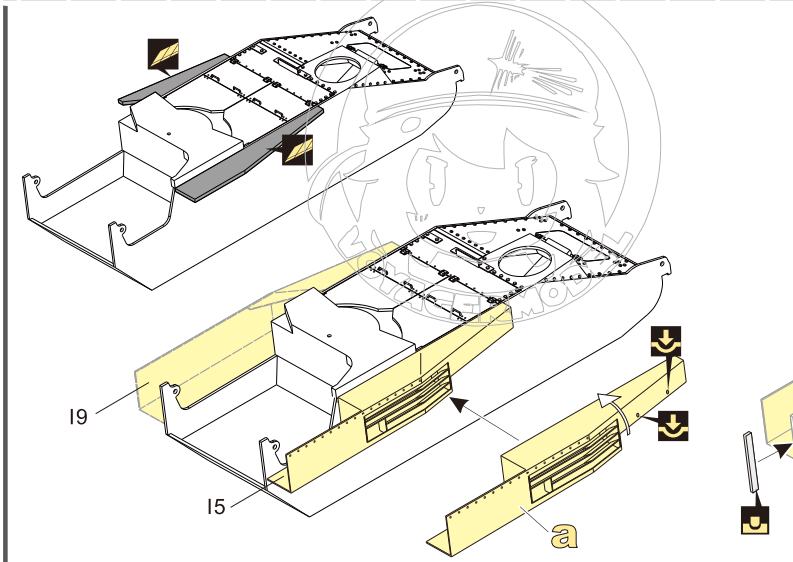
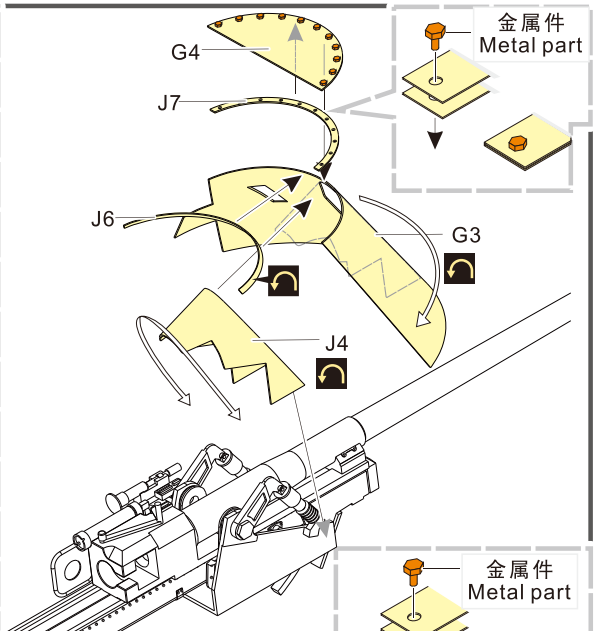
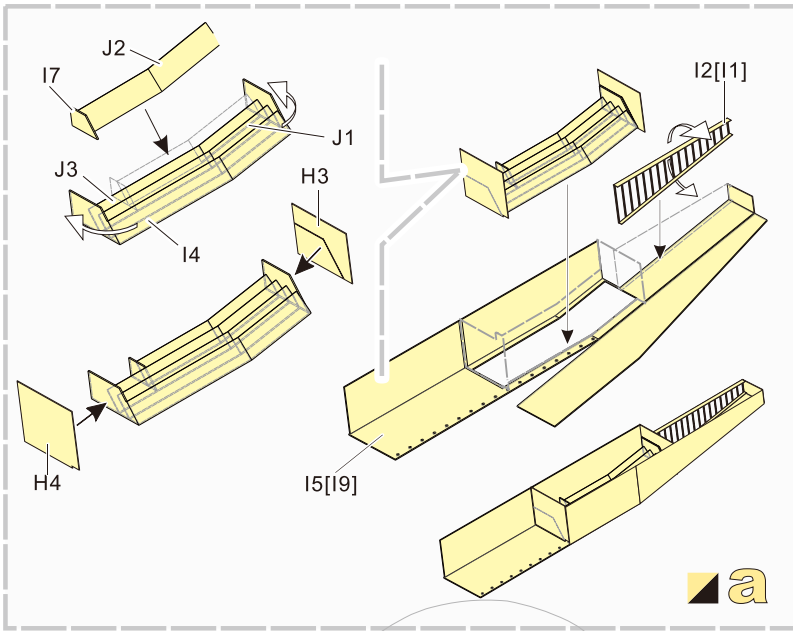
推荐使用工具 RECOMMENDED TOOLS



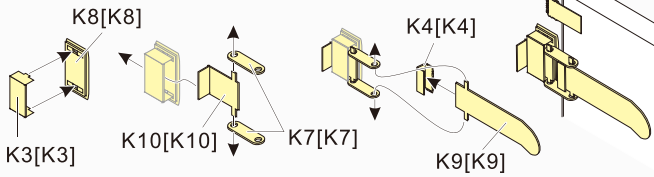
- 
安装
install
- 
折叠
bend
- A1**
改造件零件编号
PE/resin part number
- B12**
原零件编号
kit part number
- C22**
被替换的原零件编号
replaced kit part number
- 
 另一侧相同制作
repeat on opposite side
- 
切除
remove
- 
打磨
grind off
- 
弧度卷曲
radial bending
- 
制作若干组
multiple assembly
- 
选择安装
alternative
- 
钻孔
drill
- 
用胶棒制作
make from plastic rod


 用尖端在凹槽处冲压
use penpoint to press on the dent

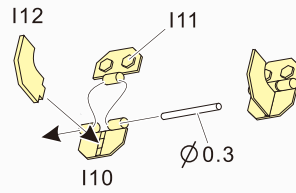
蚀刻片零件内侧面向上
Put the part upside down
用笔尖在凹槽处刺
Use penpoint to press on the dent

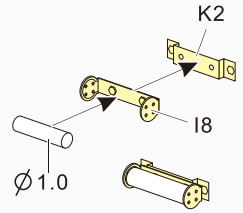
1/35 MILITARY MINIATURE VEHICLE UPGRADE SERIES PE35226



x2 b



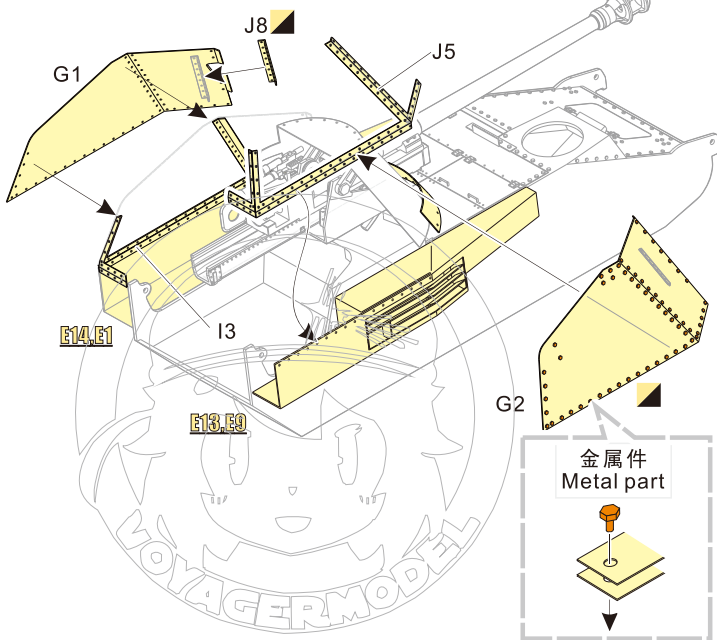
x4 C



d

[Http://www.voyagermodel.com/productdetails.asp?itemid=PE35226](http://www.voyagermodel.com/productdetails.asp?itemid=PE35226)

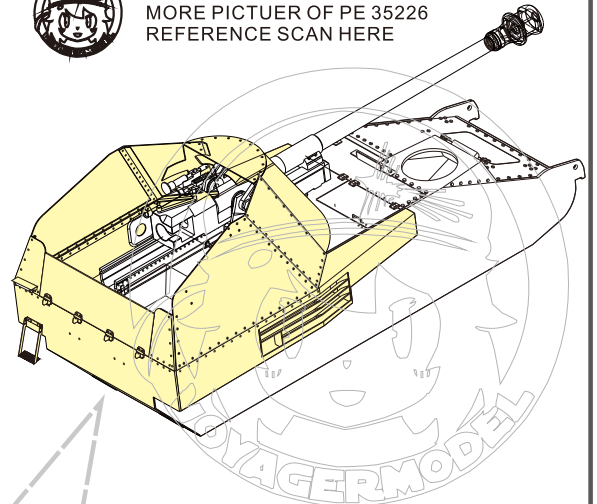
⚠ 请使用0.7mm胶板补平此处落差
Fill the gap with 0.7mm plastic sheet



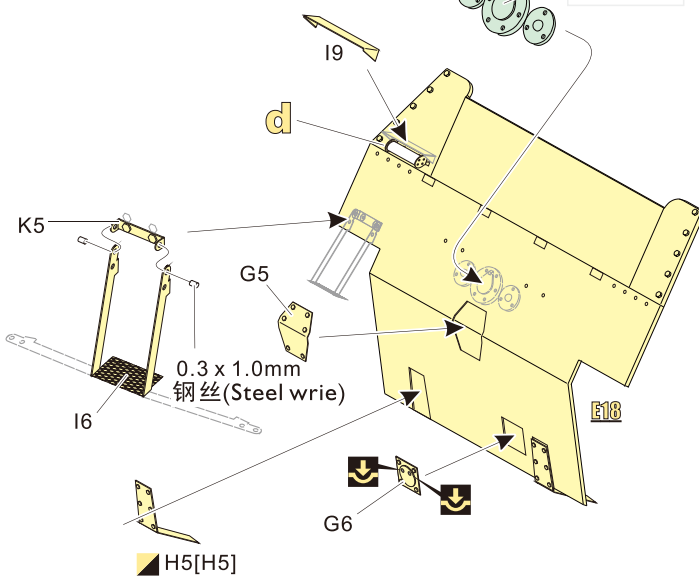
**VOYAGER
MODEL**



更多PE35226样品照片参考请扫一扫
MORE PICTUER OF PE 35226
REFERENCE SCAN HERE



树脂件
Resin part



金属件
Metal part

