

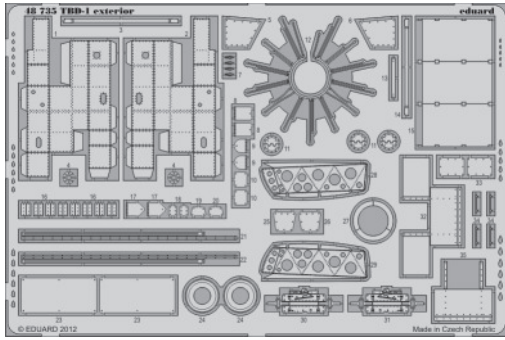


TBD-1 exterior

eduard

1/48 scale detail set for Great Wall Hobby kit • sada detailů pro model 1/48 Great Wall Hobby

48 735



- APPLY EXPRESS MASK AND PAINT BEFORE GLUING
POUŽIT EXPRESS MASK NABARVIT PŘED SLEPENÍM
- SYMMETRICAL ASSEMBLY
SYMETRICKÁ MONTÁŽ
- REMOVE
ODSTRANIT
- GRIND
OBROUSIT
- DRILL HOLE
VRTAT OTVOR
- BEND
OHNOUT
- OPTION
VOLBA
- REPLACE
NAHRADIT

■ ORIGINAL KIT PARTS
PŮVODNÍ DÍLY STAVEBNICE
 ■ PHOTO-ETCHED PARTS
LEPTANÉ DÍLY
 ■ PARTS TO BE REMOVED
DÍLY K ODSTRANĚNÍ
 ■ FILL
TMELIT

12

12

**D12, D25, D26,
D47, D52**

**D12, D25, D26,
D47, D52**

12

1 2

B1

20

19 10 11 23 33

B6

B7

C22

C23

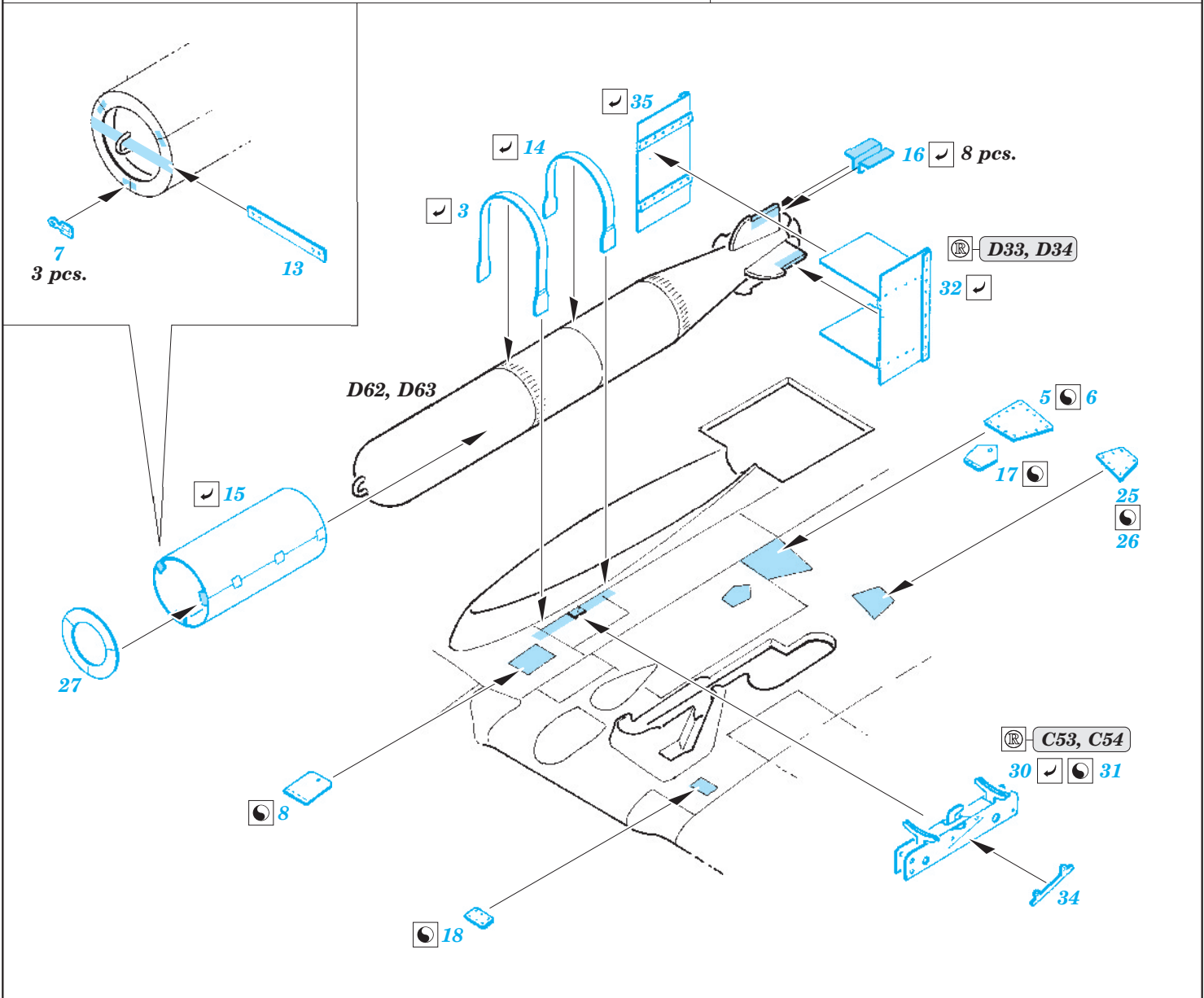
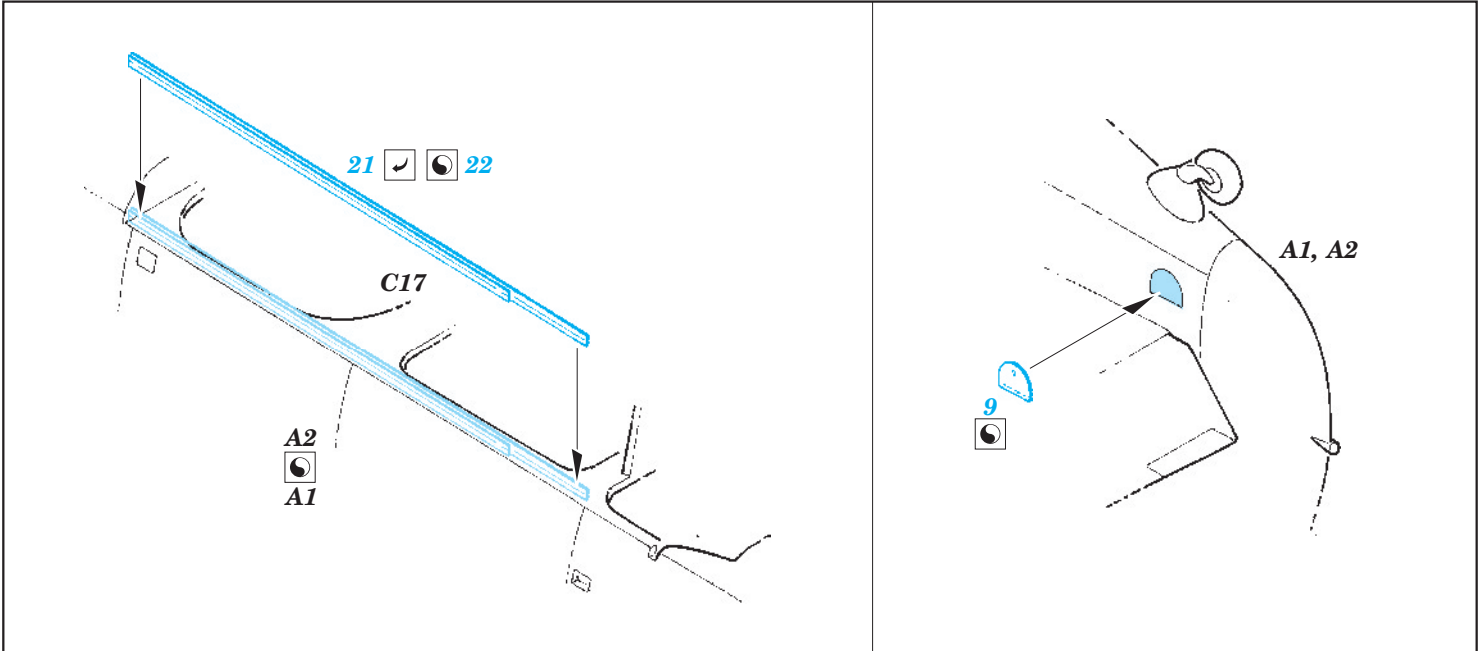
28 29

D31, D67

D31, D32

24

4



*For further detail sets look for **eduard** 49 600 TBD-1 interior S.A.
(not included in this set)*

*For further detail sets look for **eduard** 48 737 TBD-1 landing flaps
(not included in this set)*