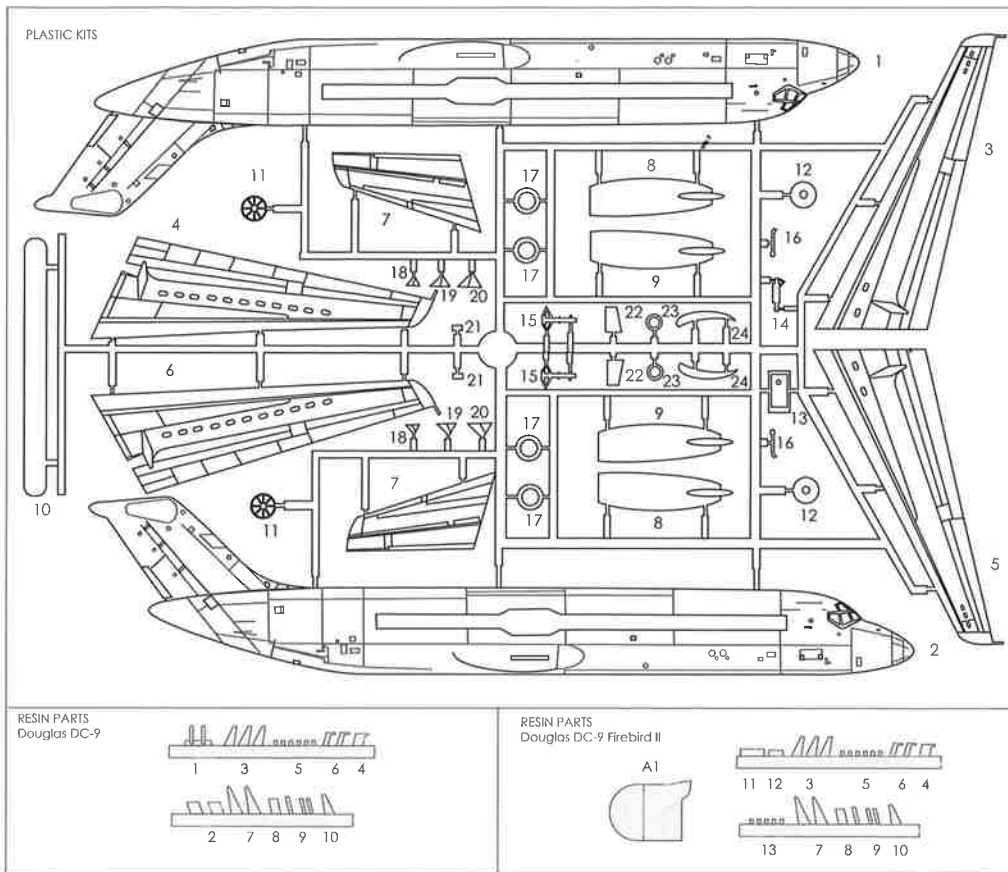
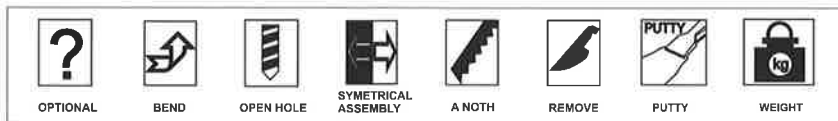


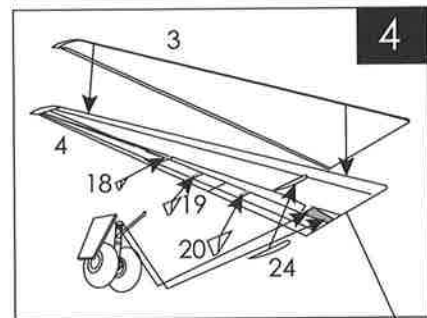
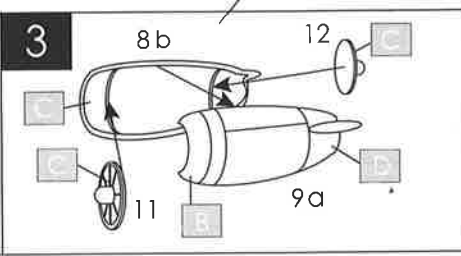
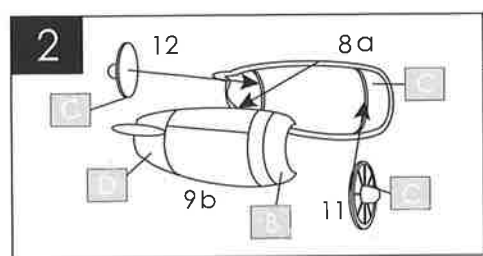
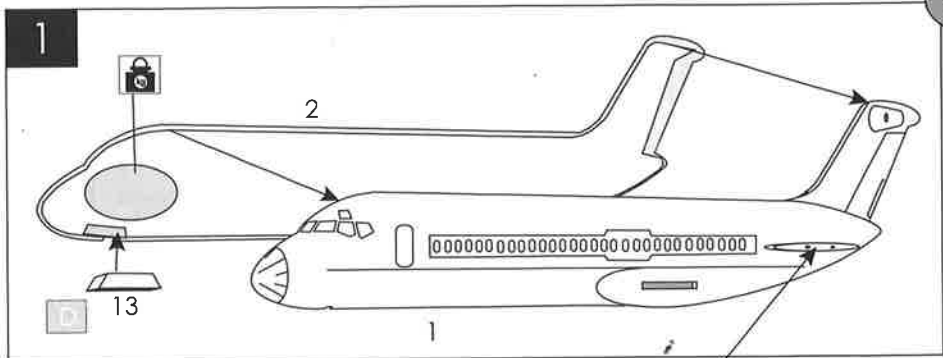
# MC DONELL DOUGLAS DC-9

## MODEL 30/31/32/33

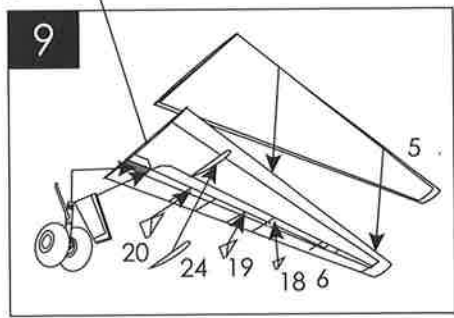
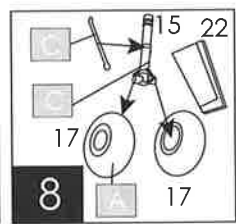
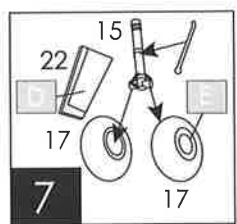
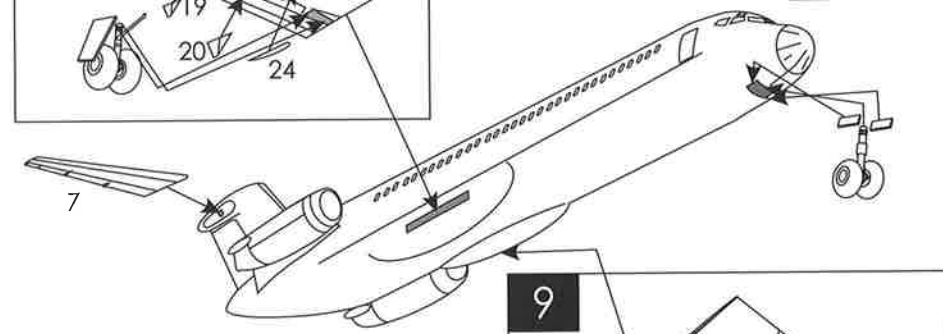
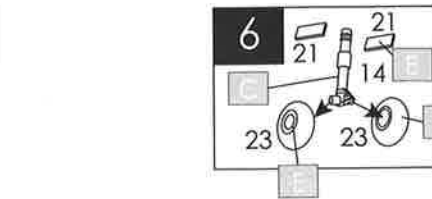


	HUMBROL COLOUR	COLOUR NAME
A	H 33	Black
B	H 11	Silver
C	H-270002	Polished Aluminium
D	H-270003	Polished Steel
E	H 34	White

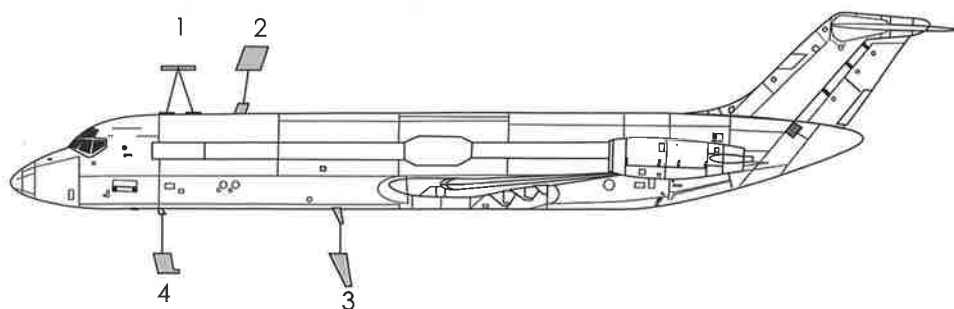




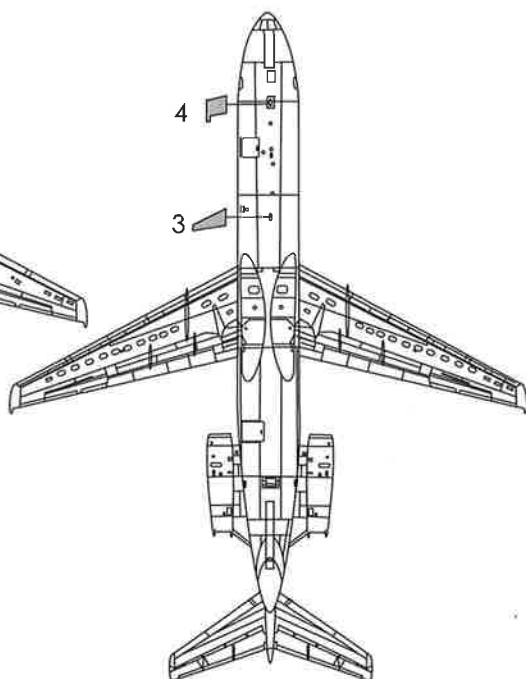
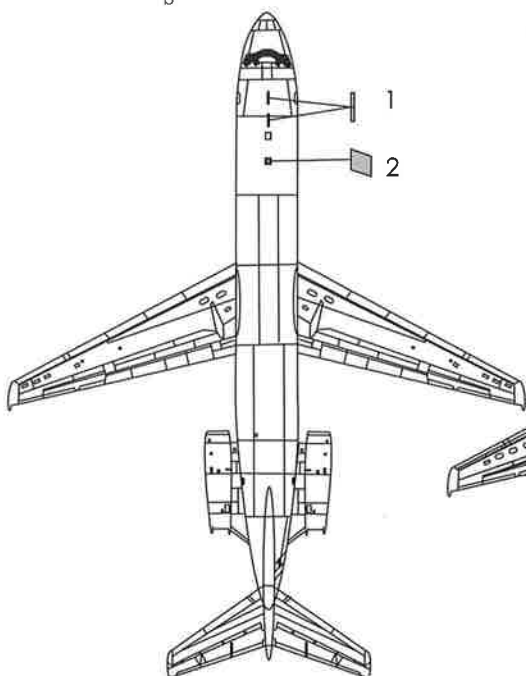
**4**



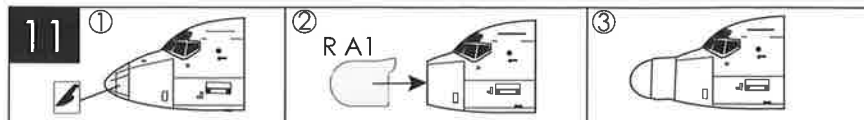
Resin parts



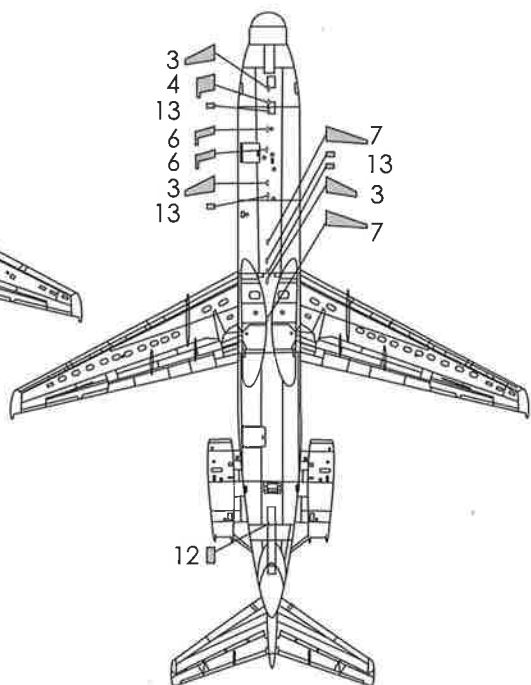
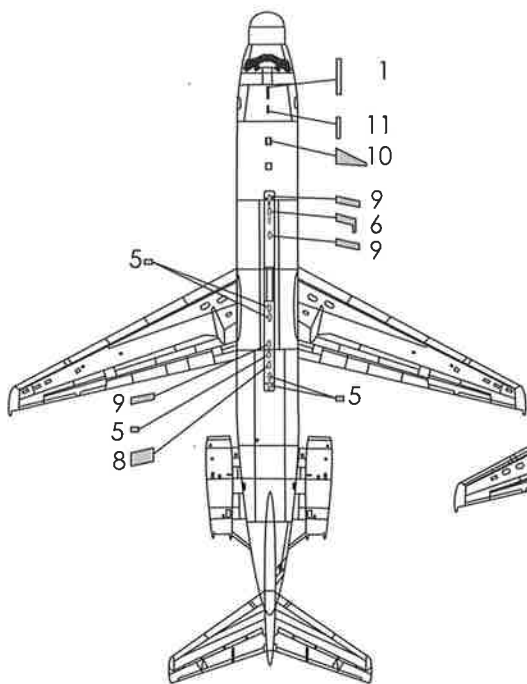
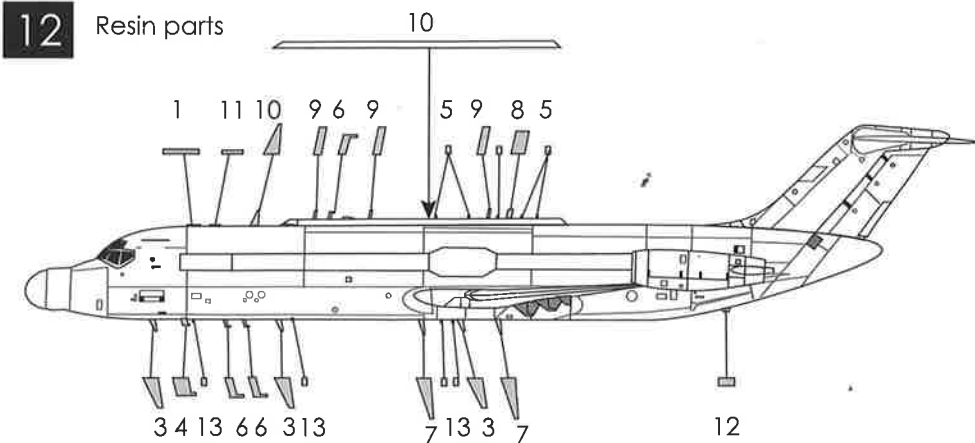
b



Douglas DC-9-31 Firebird II



12 Resin parts



# McDonnell Douglas DC 9 - 32

NASA



- A  White
- B  Silver
- C  Chrome Silver

