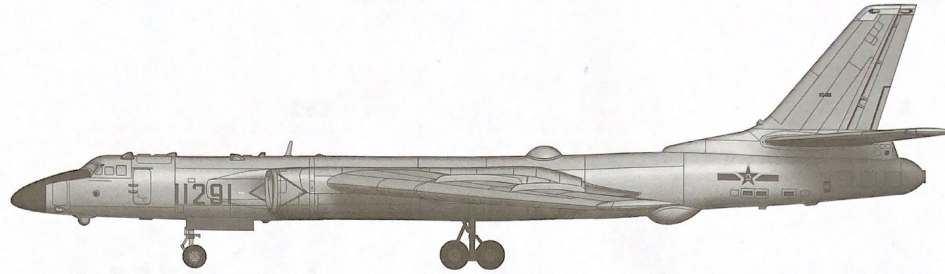


1/144 SCALE

ITEM NO.:03930



Xian H-6K Bomber

轰-6K型轰炸机

READ BEFORE ASSEMBLY:

- Study and understand these instructions thoroughly before beginning assembly
- When needed, remove photo-etch parts carefully using a modeling knife or photo etch sprue cutter, being careful not to damage or lose small parts.
- Take extra care in handling photo etch parts in order to avoid injury
- Apply instant cement sparingly to photo etch parts where instructed
- Tools recommended(not included in kit):Plastic and instant cements, sprue cutters,long nose pliers,modeling knife, small files, tweezers, pin vise & scissors. Soft cloth and sandpaper will also assist in construction
- Glue and paint are not included in the kit. Use plastic cement and hobby paints only. Color guide for purchasing paint is included in the kit.

装配之前仔细阅读

- 小心用模型锉刀锉平所有零件表面的注射浇口。
- 小心用刀片切下蚀刻片零件，不要遗失小零件。
- 用强力快干胶水粘合蚀刻片零件和金属轴。过量快干胶水使用可能导致可动零件会粘住，小心涂胶。
- 取蚀刻片时应特别注意安全，防止利边划伤手指。
- 某些零件表面需贴水上贴纸，请选择在装配的同时进行。
- 推荐模型工具(自备): 胶水，水口剪刀，长咀钳，刀片，锉刀，镊子，钳，钻，剪刀，瞬间快干胶。
- 软布同砂纸同时也是所需工具。
- 请使用塑料胶水和油漆，模型内不含。



使用强力胶
Cyanoacrylate glue



配重
Weight



钻孔
Make hole



切除
Cut / Remove



贴纸
Decal



锉平
File / Sand



选择
Option



不涂胶水
No cement



弯曲
Bend



先装
Install it first



填补
Repair

水贴纸的使用:

- 1.从水贴上剪下印花;
- 2.将印花放入温水中浸10秒,然后放在干净布上。
- 3.拿着印花纸板将印花移到模型上;
- 4.手指蘸水将印花移到适当的位置;
- 5.用软布轻压印花直至水干, 气泡消失

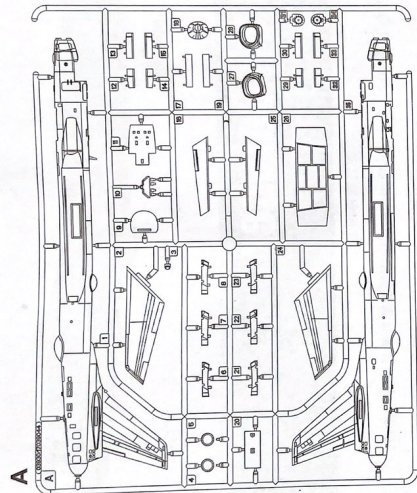
DECAL APPLICATION

- 1.Cut decals from sheet as needed
- 2.Dip the decal in warm water for about 10 seconds and then place on soft clean cloth.
- 3.Hold the decal backing sheet edge and gently slide the decal onto the model in its proper position.
- 4.While still wet,decal can be adjusted for better fit on model by dampening it gently with your finger.
- 5.When placed in the proper position,gently press decal down with a soft cloth until excess water and air bubbles are gone.
- 6.Allow decal to dry completely before handling model

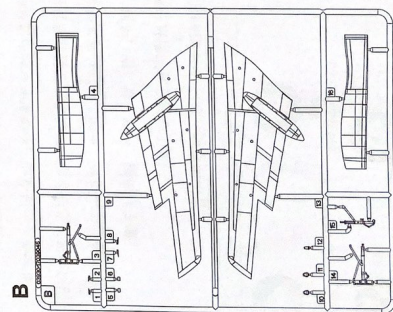
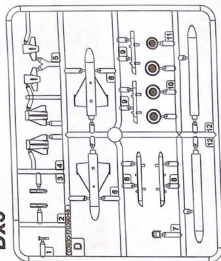
* 说明书中含有重要信息，应保留。 Please Keep instruction since it contains important information.

03930

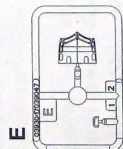
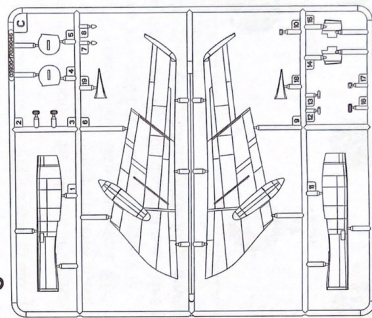
部品图
Parts



Dx3

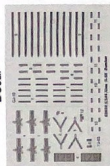


C

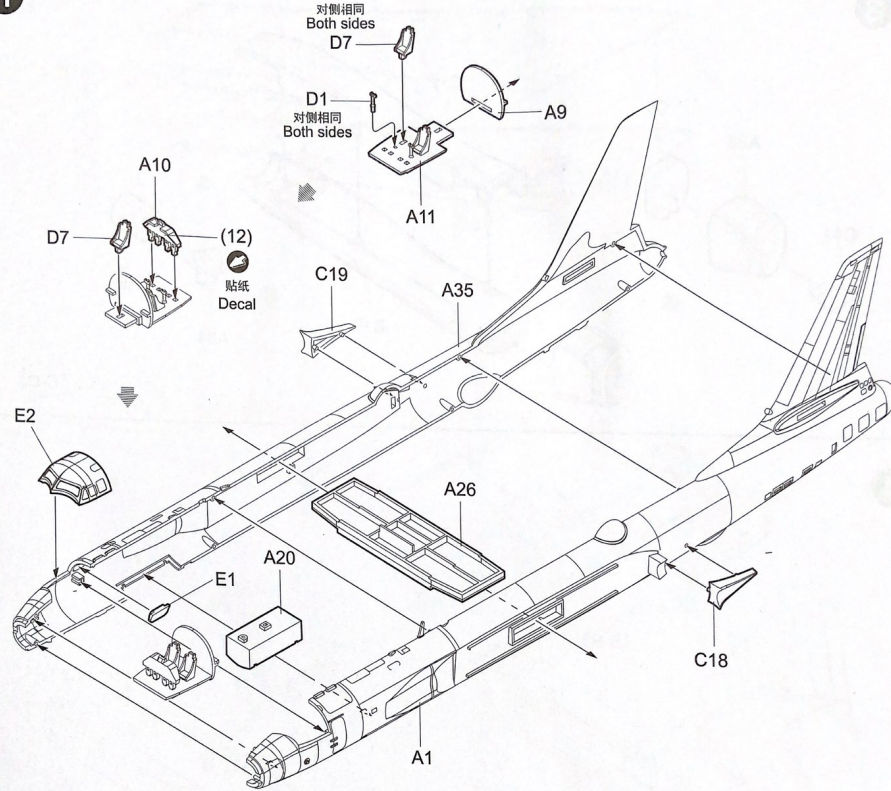


E

《水贴》
Decal

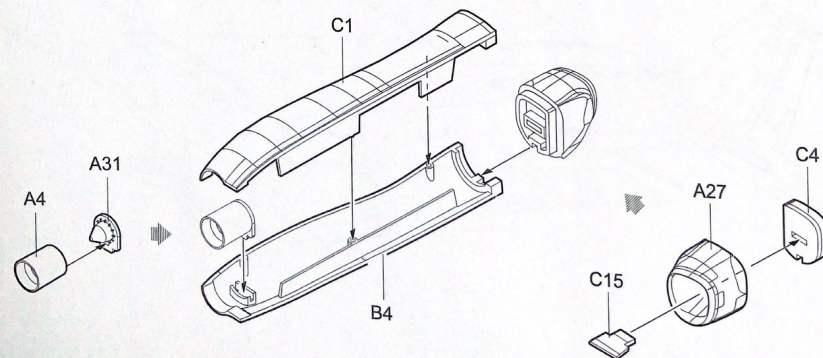


1



《A-A》

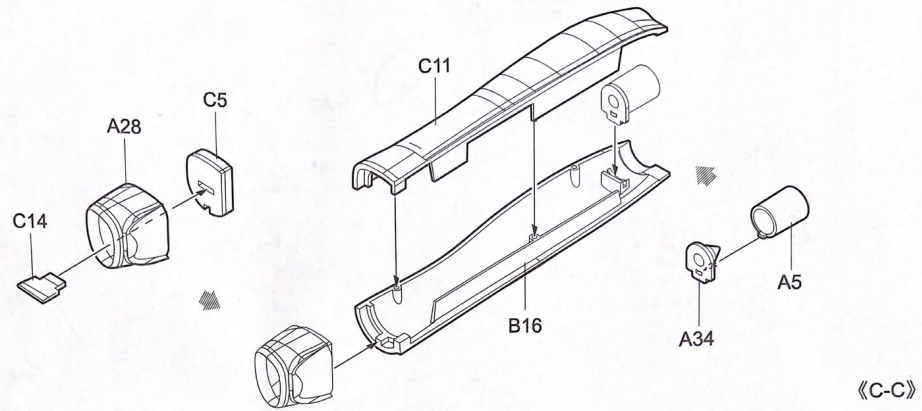
2



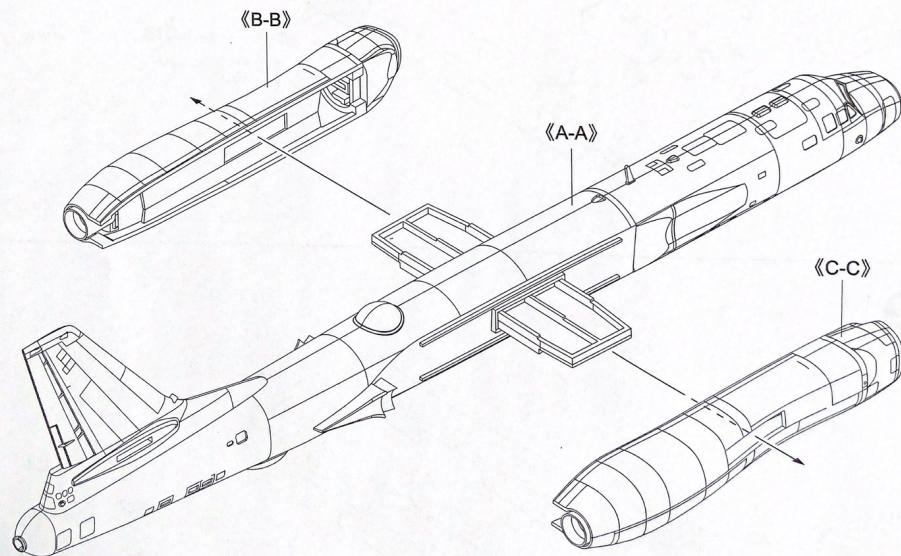
《B-B》

03930

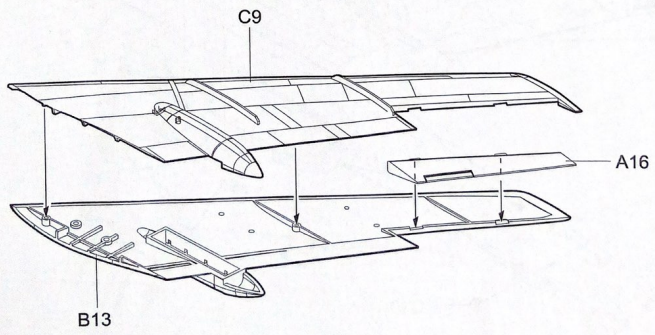
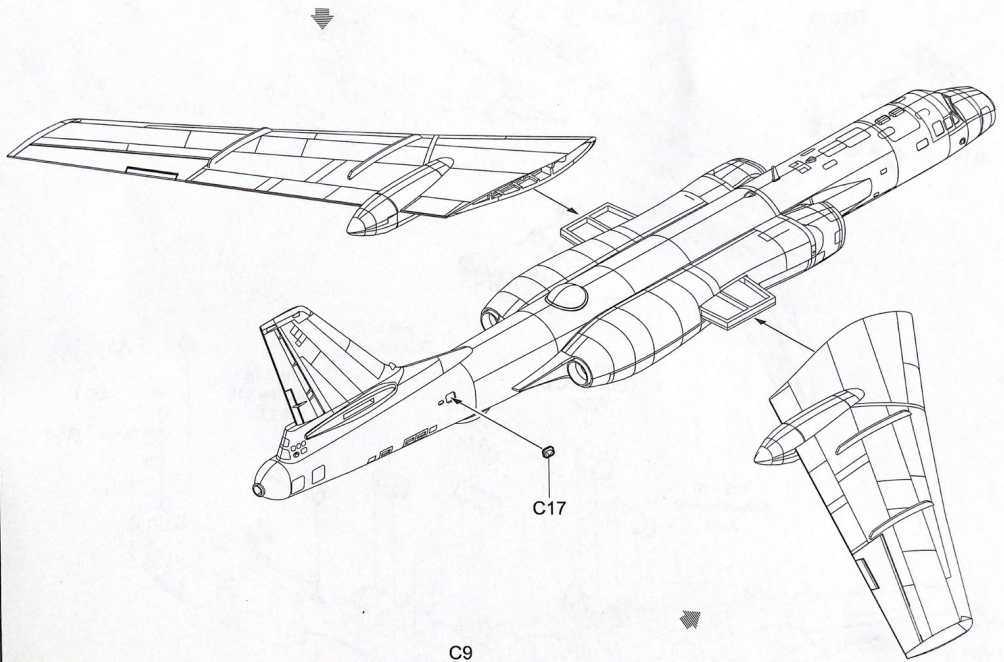
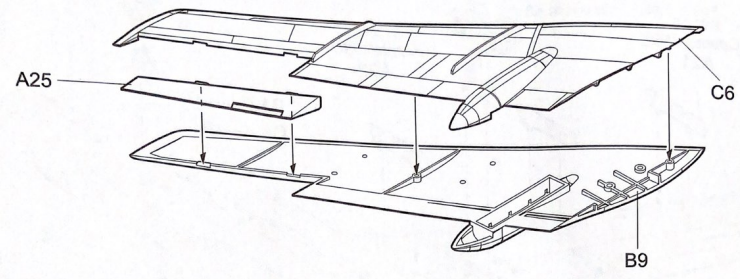
3



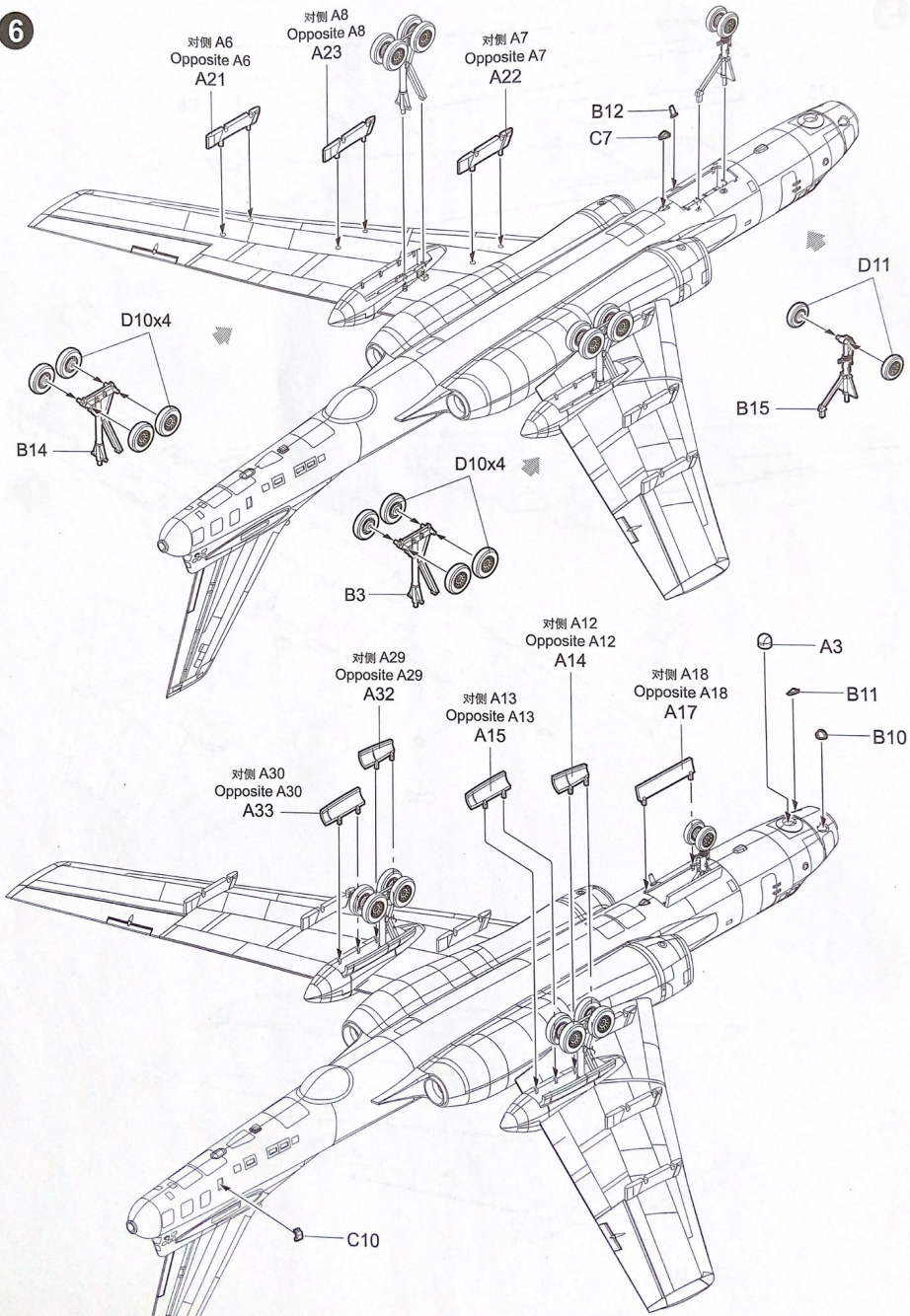
4



5

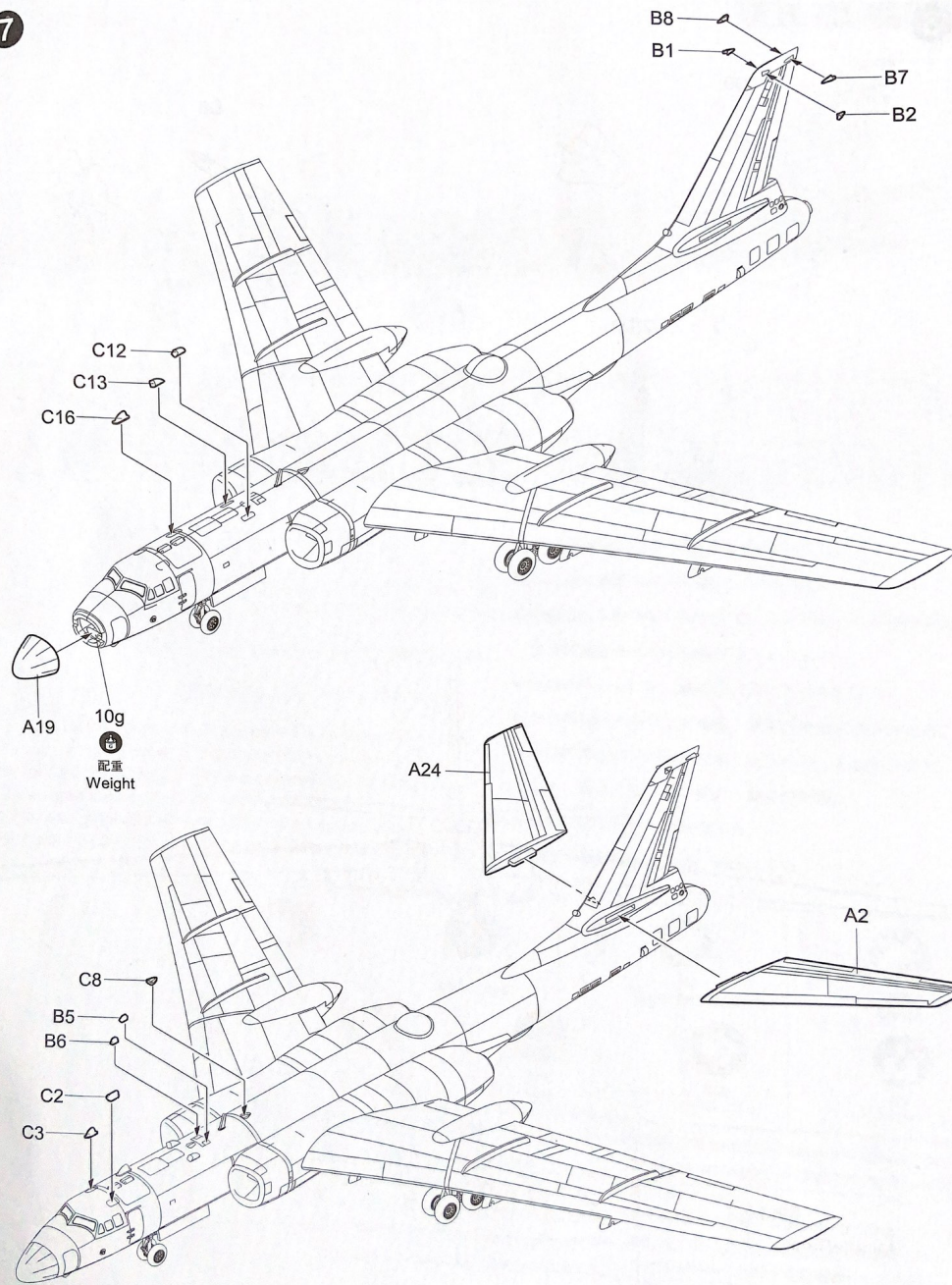


6

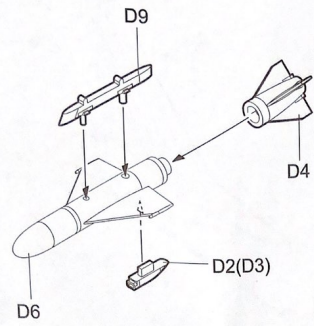


03930

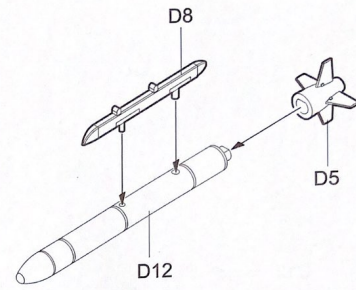
7



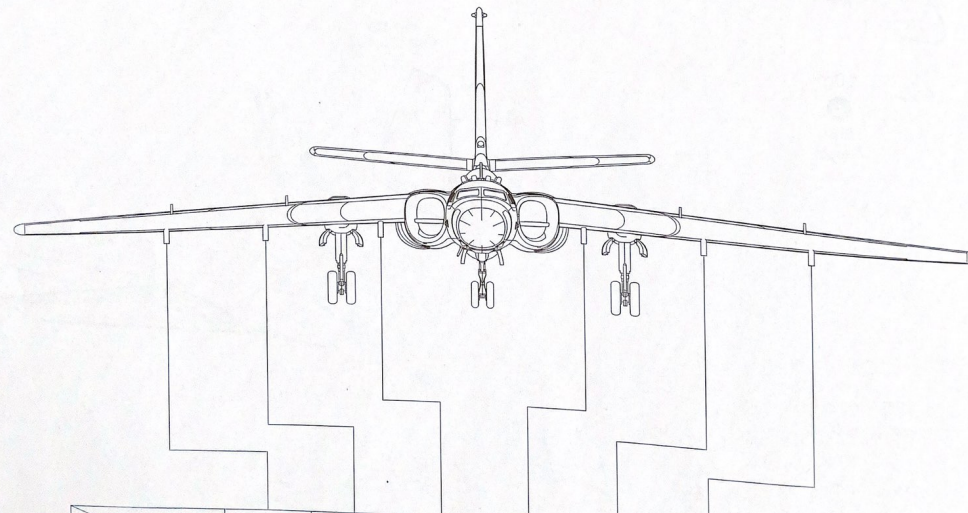
03930



YJ-63
制作6组
Make Six



CJ-10
制作6组
Make Six

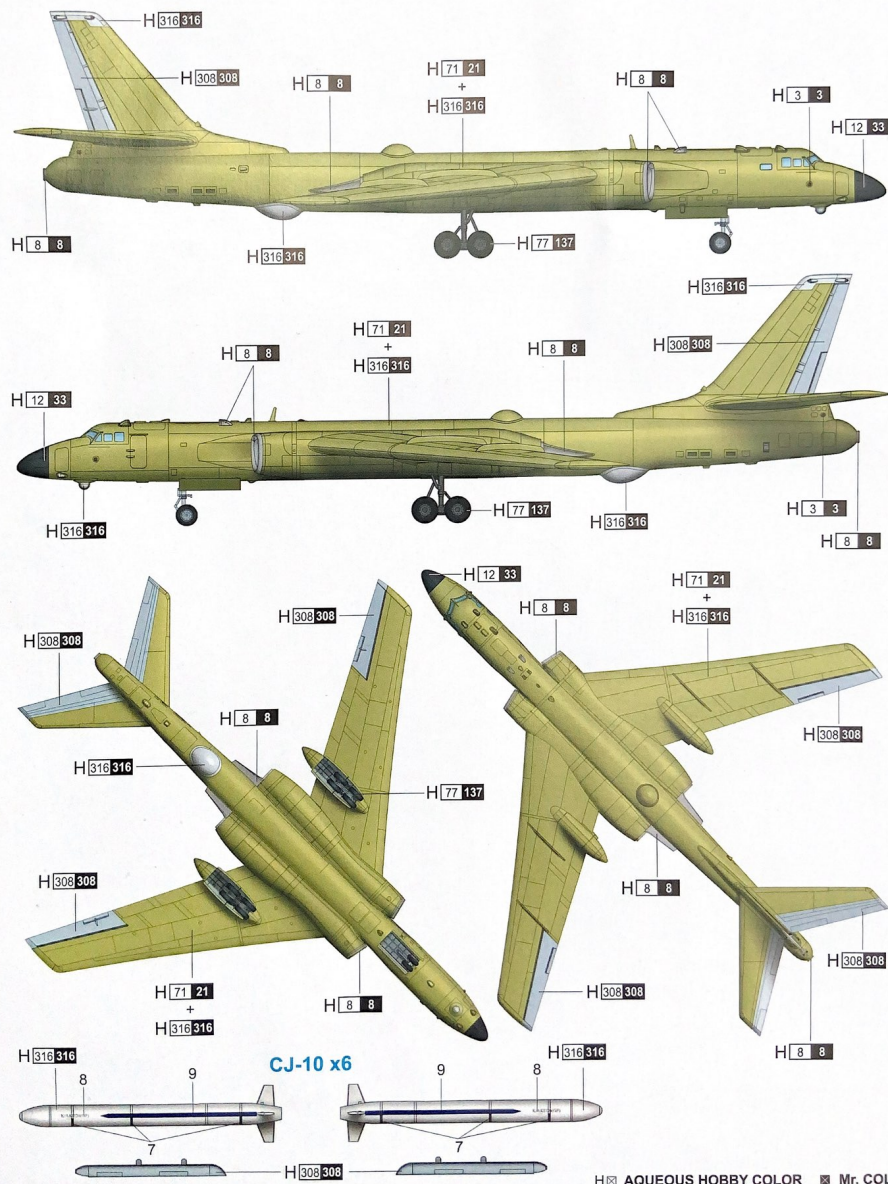


Sta.no.	1	2	3	4	5	6
Missile/Tank						
YJ-63	-	-	-	-	-	-
CJ-10	-	-	-	-	-	-

涂装同标贴指示 Painting & Marking guide

PAINT REFERENCE COLOR						
Color	Mr.Hobby	Acrycion	Vallejo	Model Master	Tamiya	Humbrol
Flat Black 消光黑	H[12] 33	N[12]	950	1749	XF1	33
Middle Stone 土黄色	H[71] 21	N[71]	821	-	-	84
Red 红色	H[3] 3	N[3]	908	1503	X7	19

B

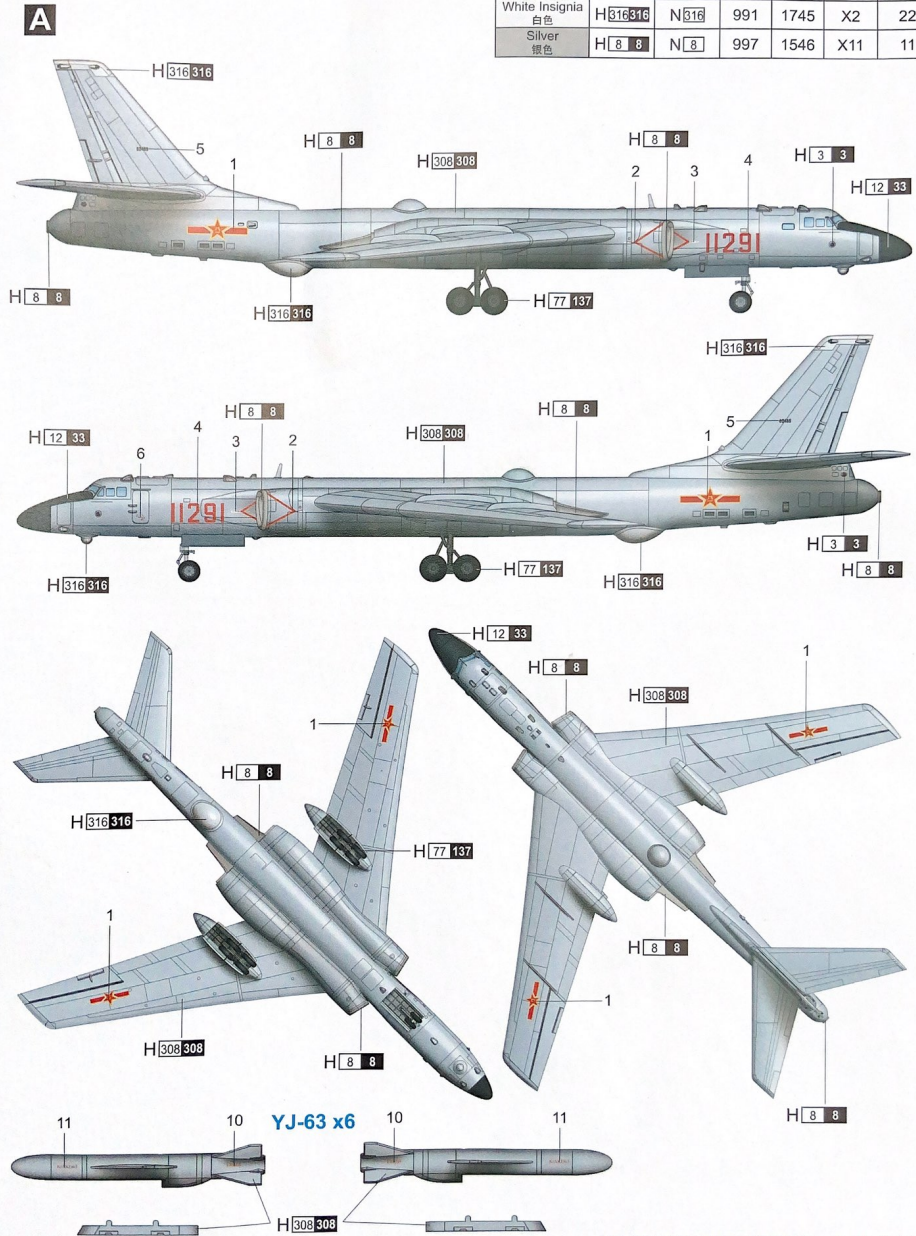


H[] AQUEOUS HOBBY COLOR ■ Mr. COLOR
N[] ACRYSION COLOR

涂装同标贴指示 Painting & Marking guide

PAINT REFERENCE COLOR

Color	Mr.Hobby	Acrycion	Vallejo	Model Master	Tamiya	Humbrol
Tire Black 胎黑色	H77 137	N77	-	-	XF85	-
Gray 灰色	H308 308	N308	990	1728	XF19	127
White Insignia 白色	H316 316	N316	991	1745	X2	22
Silver 银色	H8 8	N8	997	1546	X11	11



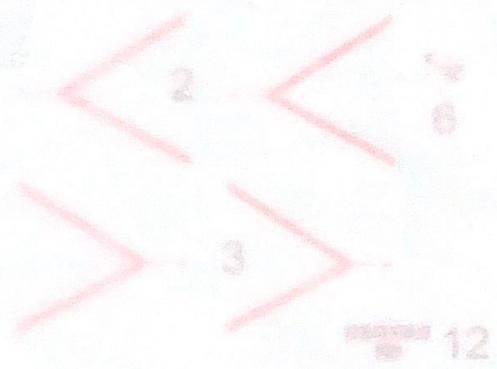
AQUEOUS HOBBY COLOR Mr. COLOR
 ACRYSION COLOR



1

1

11291
4
11291



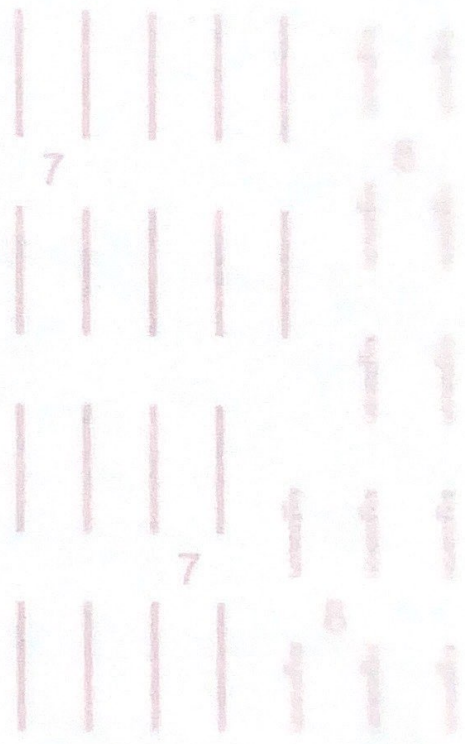
2

6

3

12

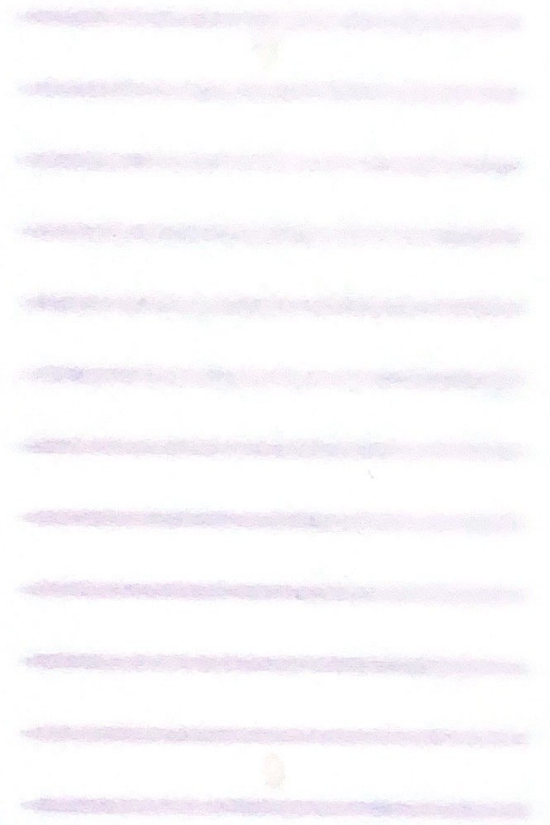
CJ-10



7

7

8



7

8

10

10

11

11

03930 1/144 Xian H-6K Bomber