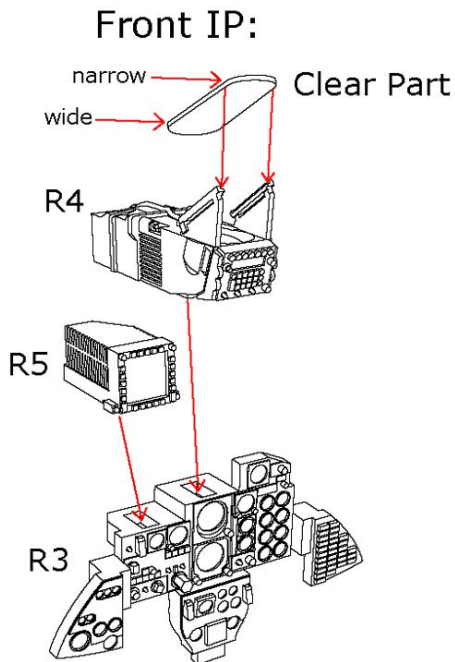


*Remove cast the resin parts from the casting block by lightly scoring the parting line with a sharp (new) hobby knife blade. Remove print supports with fine sprue cutters, razor saw or a sharp hobby knife. Cut one support at a time, first at the part end, then near the base.*

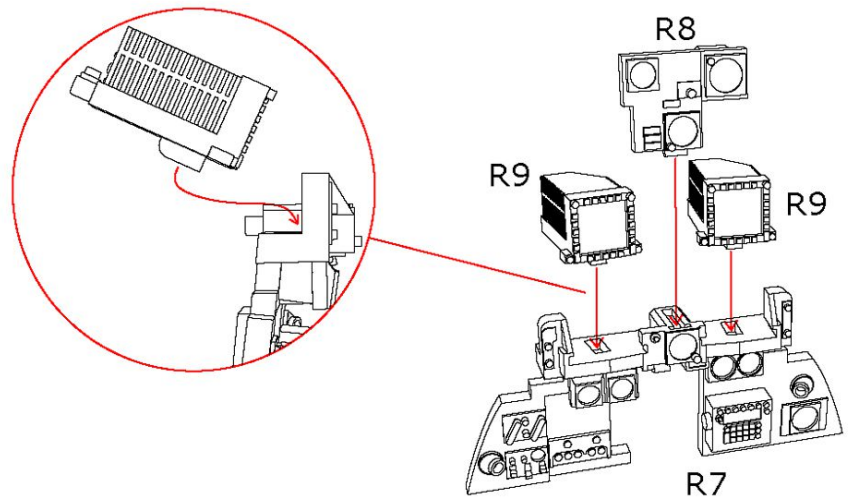
*Take care not to breathe in resin dust. Glue with CA or epoxy glue.*

### 1. Cockpit:

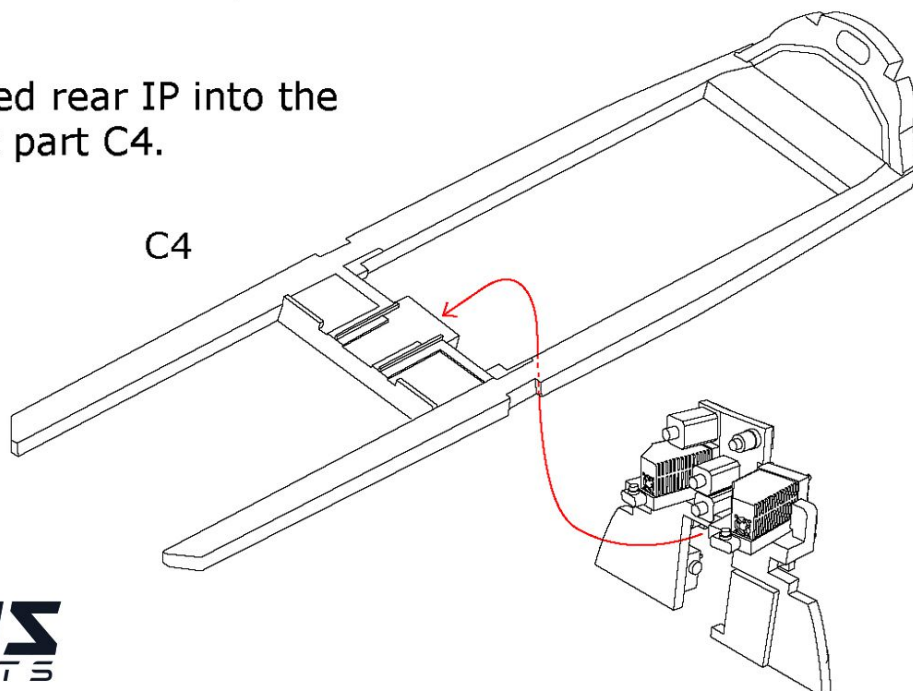
Assemble front and rear IP's as shown. The clear part can be found in the small bag with the printed handles and mirrors. Do NOT mix up MFD's R5 and R9. R5 is slightly smaller than R9 in order to match the space requirements of the Zoukei Mura forward instrument panel and canopy.



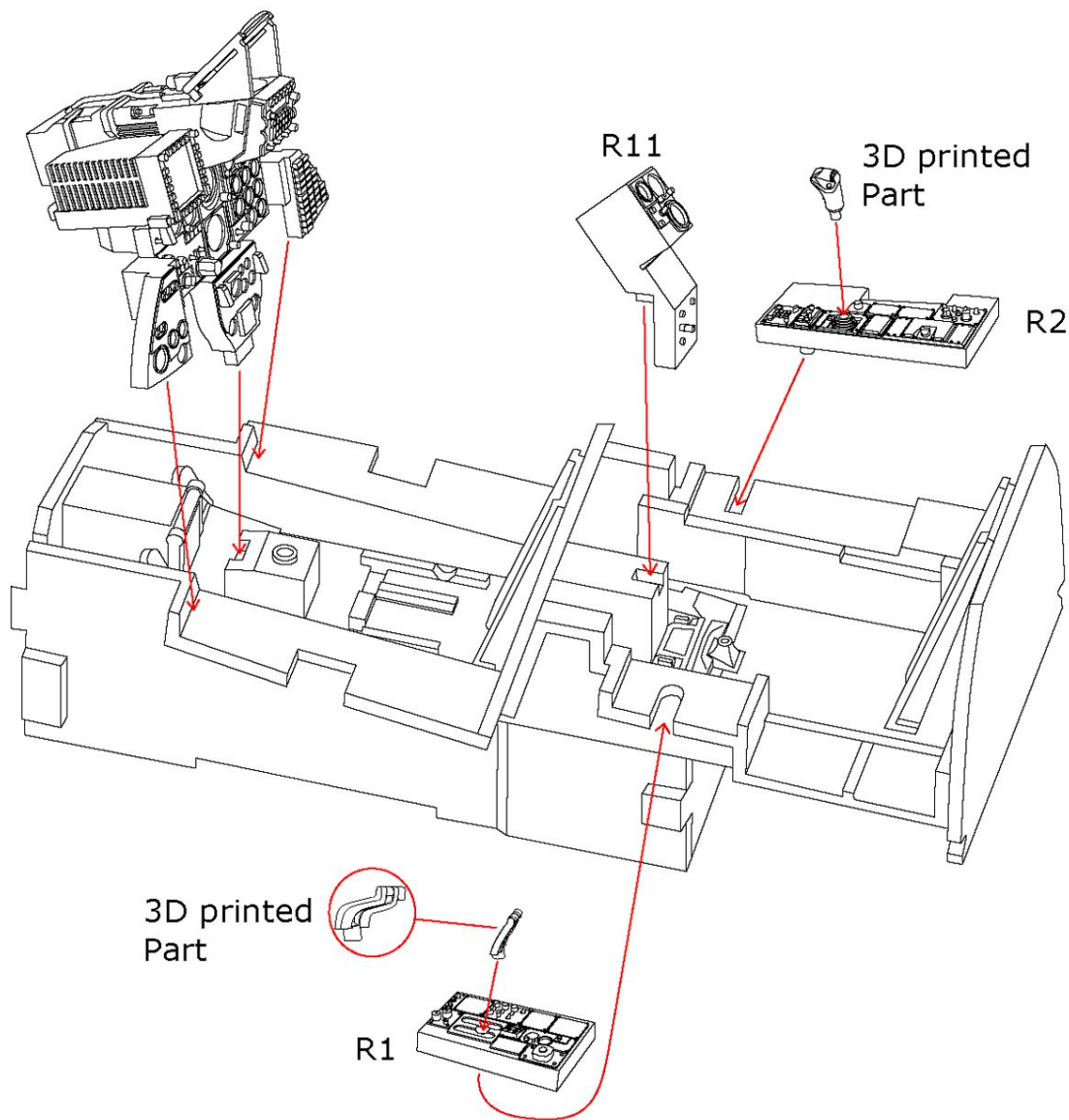
### Rear IP:



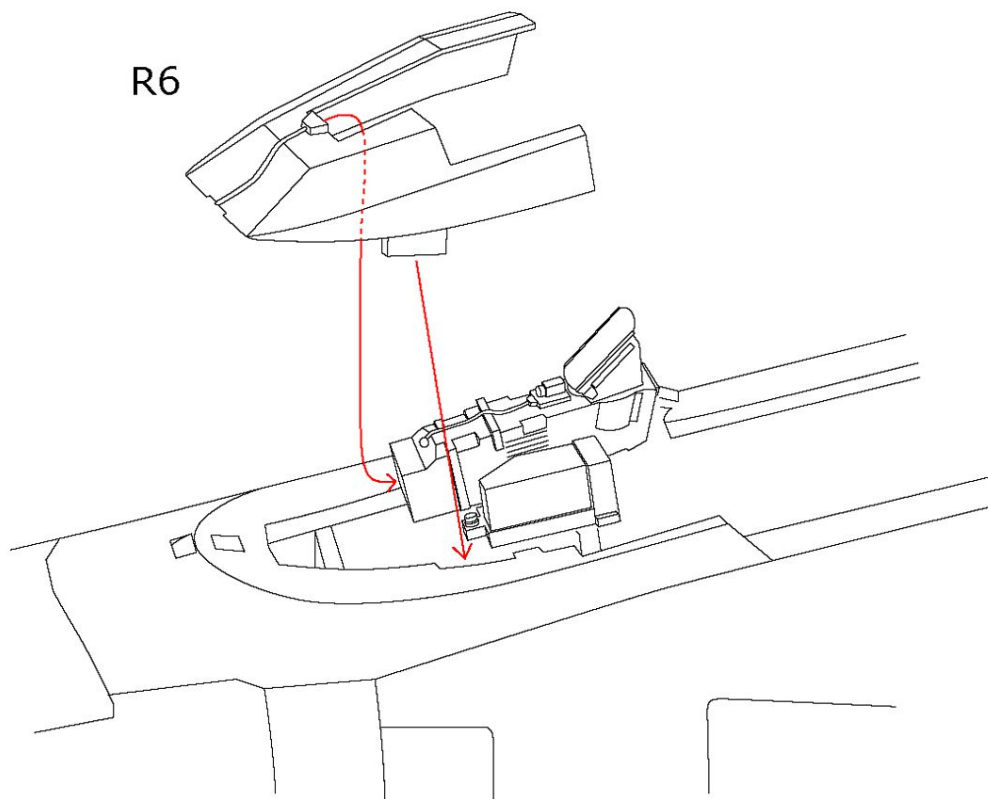
Insert the completed rear IP into the canopy upper deck part C4.



Add front IP and rear left hand, right hand and centre consoles to the kit tub.

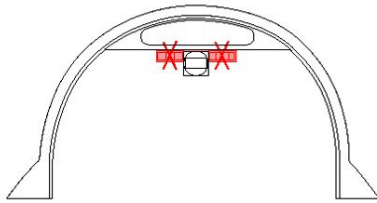


Install the resin coaming R6 over the front IP. The cable "plug" on the coaming should close right up to the main computer unit without a gap.

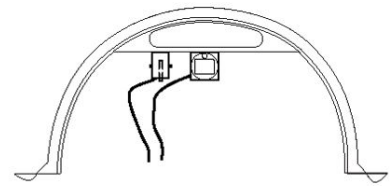


## 2. Canopies

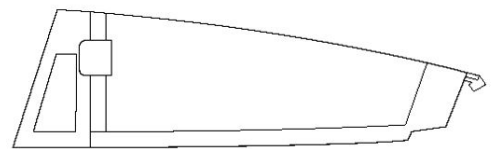
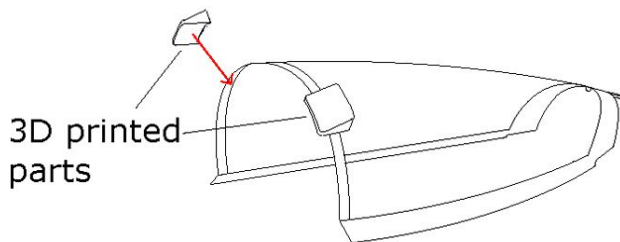
Under the middle canopy remove the detail from ZM part D5.



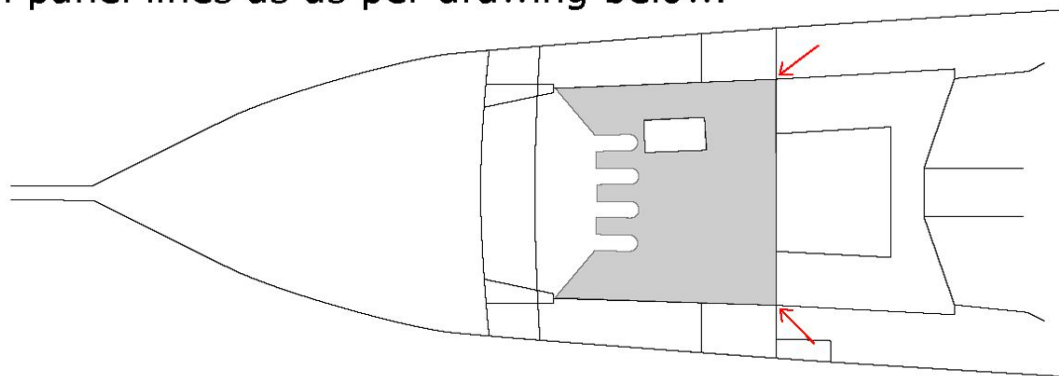
Alternatively, use parts from the Hypersonic Models canopy detail set HMR 48016-3.



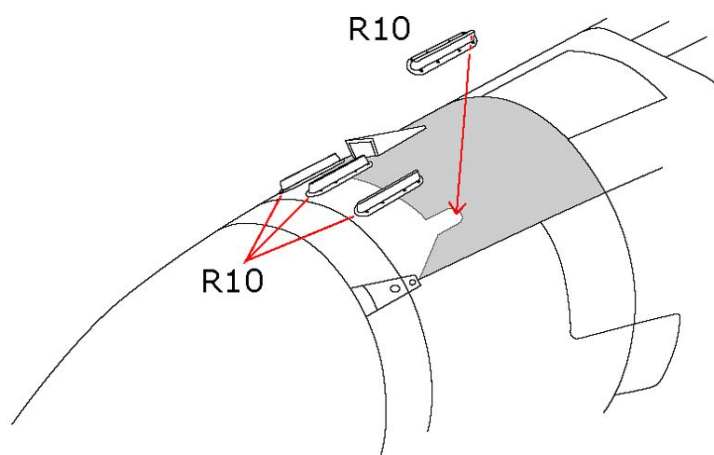
Rear view mirrors: The RSO cockpit doesn't have internal mirrors. Use the 3D printed parts externally, applied to the forward frame of the aft canopy. Note: The forward edge of the mirrors overlap the central canopy frame.



3. IFF Antennas: Use the provided temporary placement template and line it up with panel lines as as per drawing below.

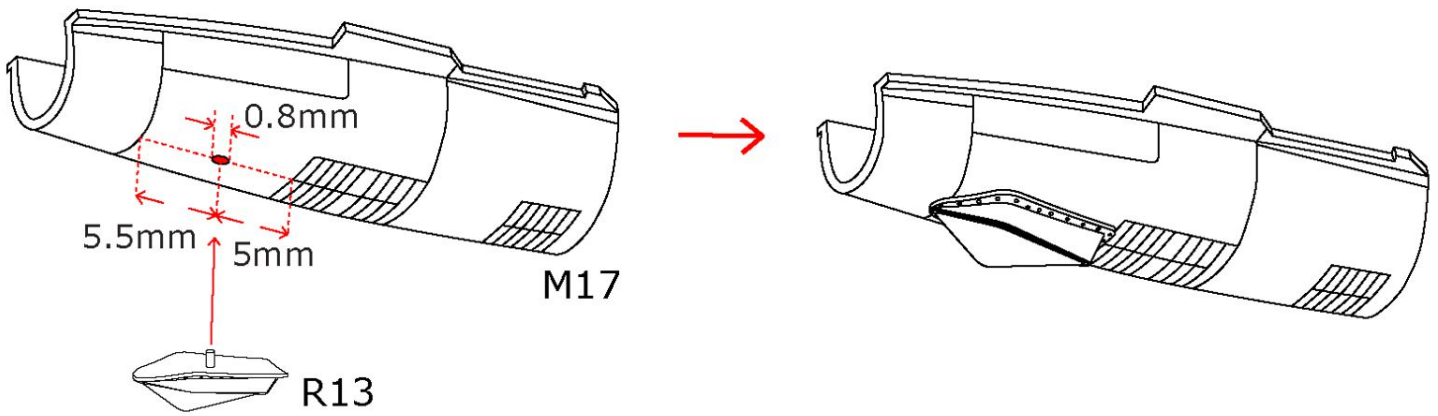


Cut the individual antenna strips R10 from the block and sand the mating surface flat and thin. Using the template as a placement guide, glue the 4 parts with the least amount of glue possible. After they are all set remove the template and add a little more extra thin CA glue around the edges.



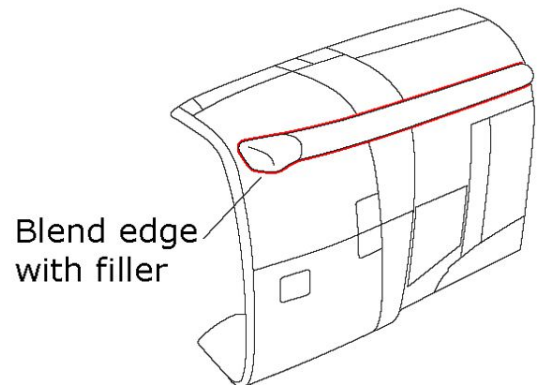
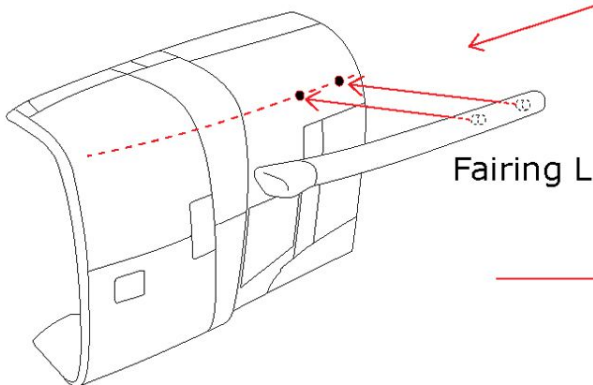
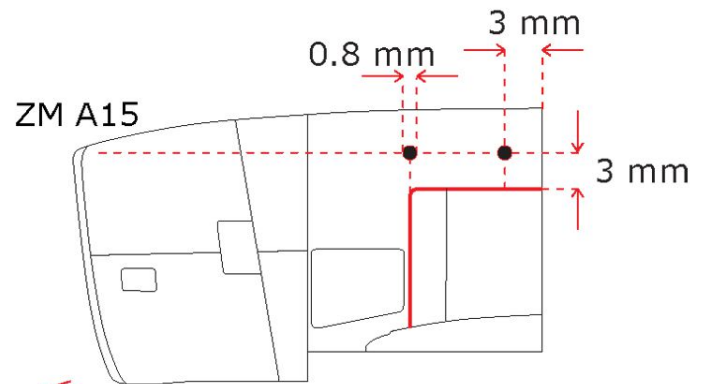


4. DIAS system (!Not all F-4E AUP had it installed. Check your references!):  
 Canon fairing: Mark the centreline on the underside of ZM kit part M17.  
 Drill a 0.8mm hole as shown and install resin part 13 (note orientation).



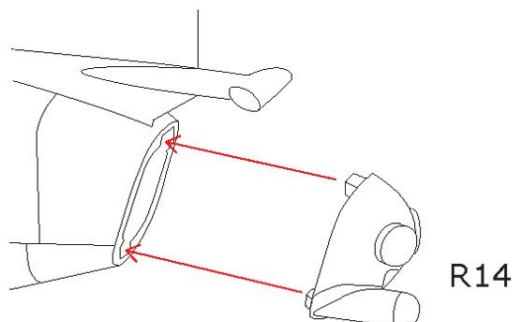
Intakes: Drill two holes into the intakes (ZM parts A8 and A15) as shown (this area will be hidden inside by the intake duct). The panel line marked red is the main alignment reference. Install the fairings R & L as straight and even as possible. Fair in the joint with some filler.

Take care not to cut off the mounting pins when removing the fairings L & R from the casting block

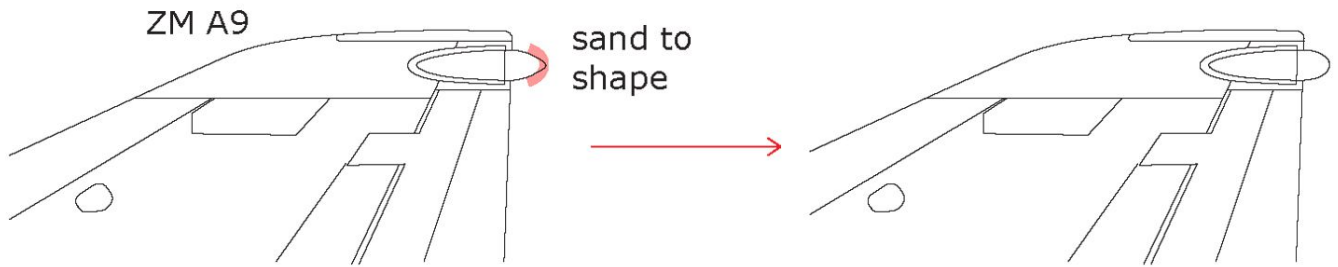


Left intake shown, repeat for right intake (ZM A8 and Fairing R)

Tail: Use resin chute cap part 14 in place of the kit part.



Sand the rear facing fin cap sensor on ZM part A9 to a more rounded shape as shown:

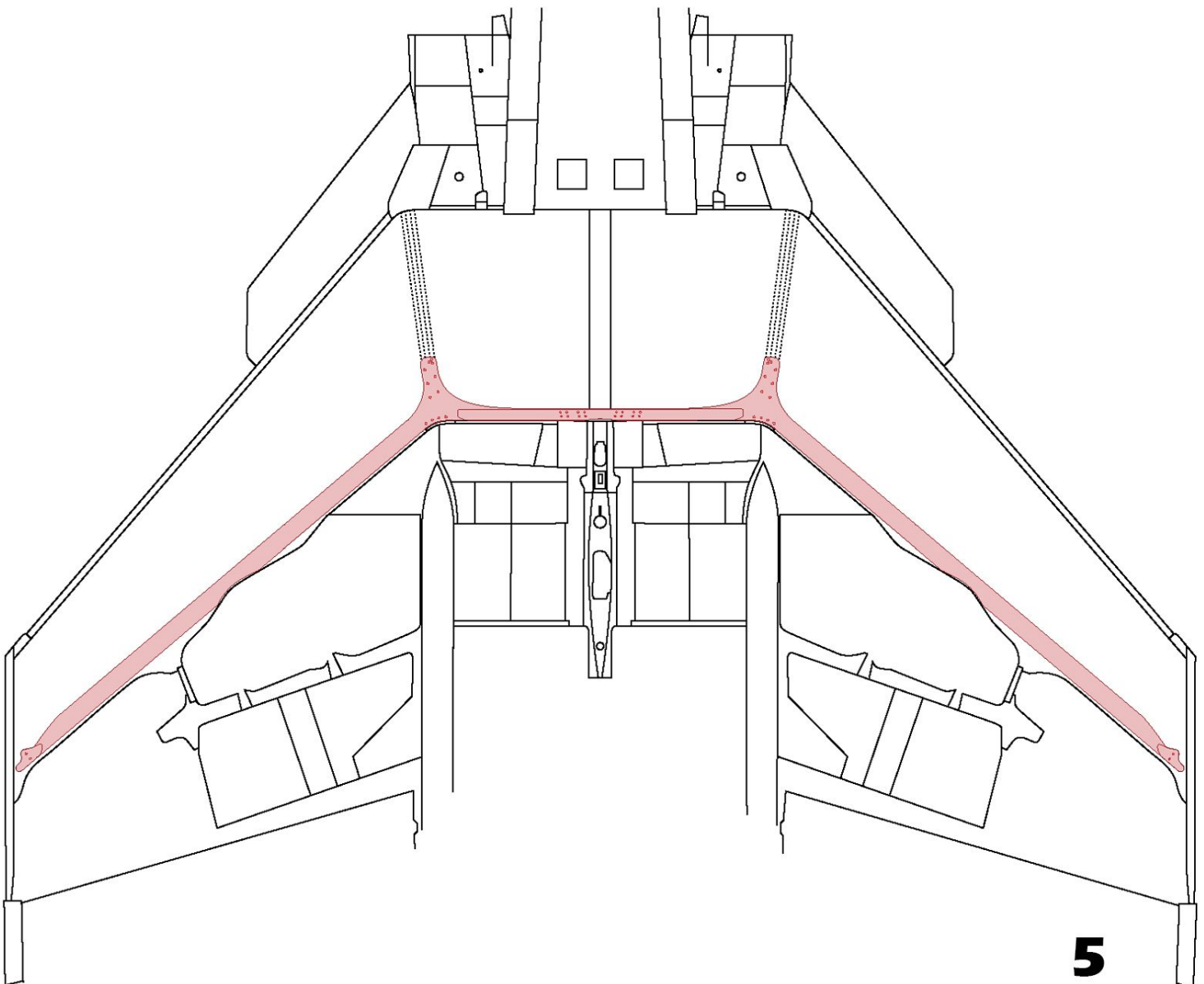


5. Gun muzzle: Use ZM kit parts M 33/34 for the longer "Midas" gun muzzle.

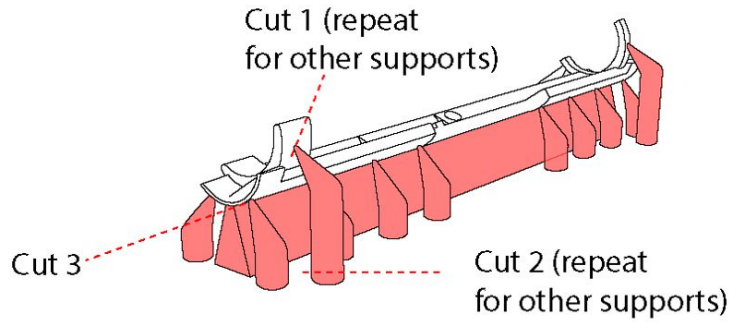
6. Chaff/Flare: Use ZM kit parts M 4,5,6,18,19,22,23 on the inboard pylons.

7. Lower Wing: Remove moulded-on wing strap, as indicated below.

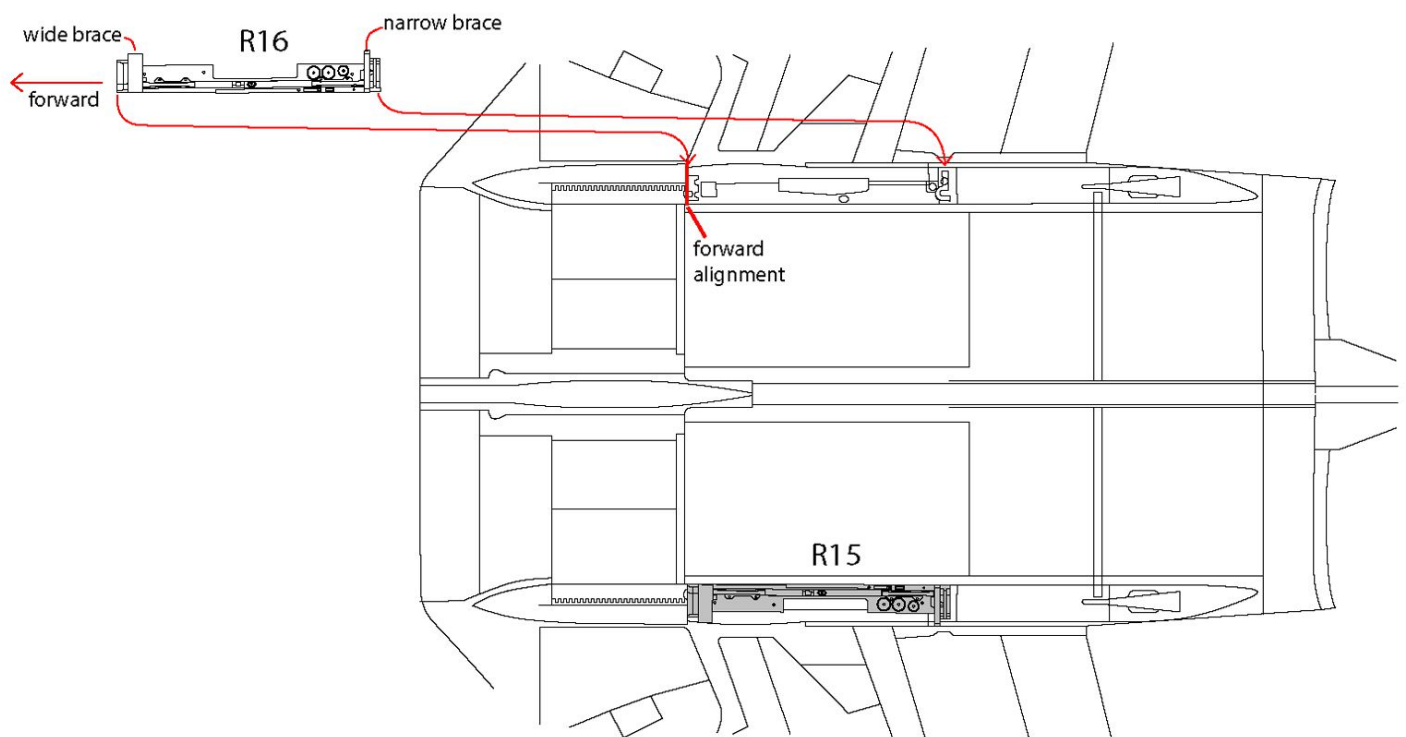
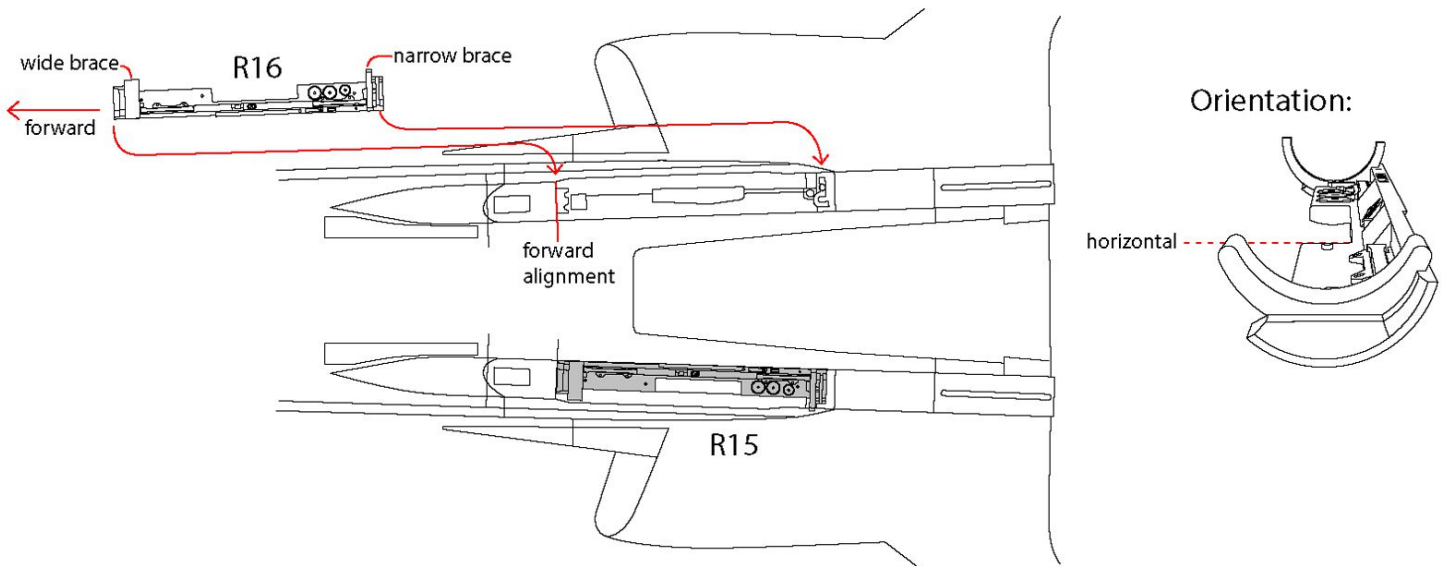
Tip: Tape off area close to the strap to avoid damaging any surrounding detail.



8. AIM-120 Adapters: Remove outer print supports first. Using sharp sprue cutters or a razor saw, cut at the top (near the part) first, then cut off the support at the base. Next, using a razor saw, cut away the central support block.

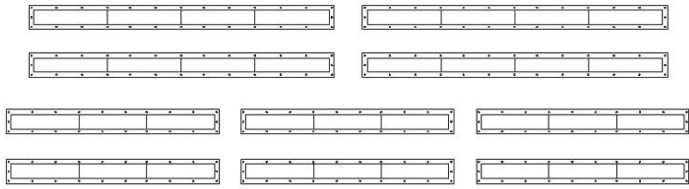


The printed parts have a tendency to bend slightly. The effect was minimised as much as possible, but not entirely. However, it shouldn't be a problem as the parts can easily be glued flat.



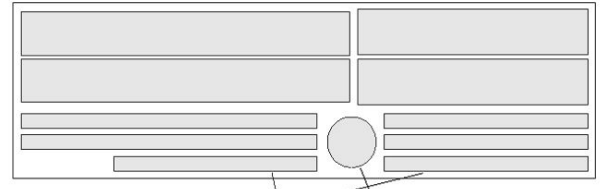
# 9. Formation "slime" lights.

Vertical stabiliser l/r (+ 2x spare)



forward and centre fuselage l/r (+ 2x spare)

Slime light transfer sheets

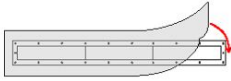


Slime light paint masks

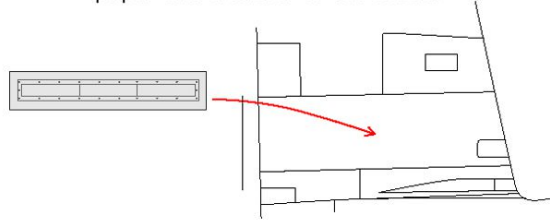
TISEO paint mask

## Application procedure:

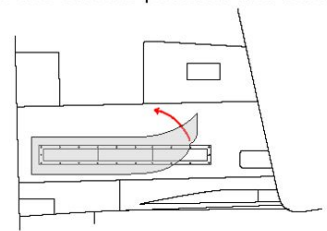
1) stick the transfer sheet over the slime light on the backing paper



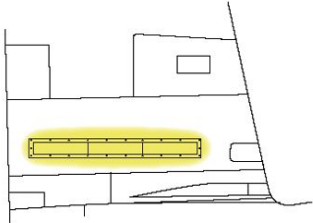
2) remove the whole set from the paper and transfer to the model



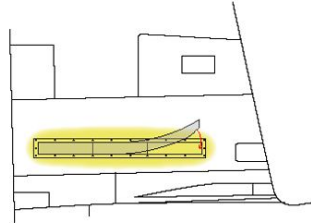
3) remove the transfer sheet after the slime light is in the correct position and burnish down



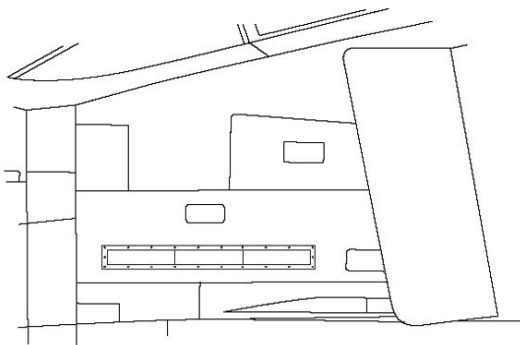
4) paint with yellow/beige colour



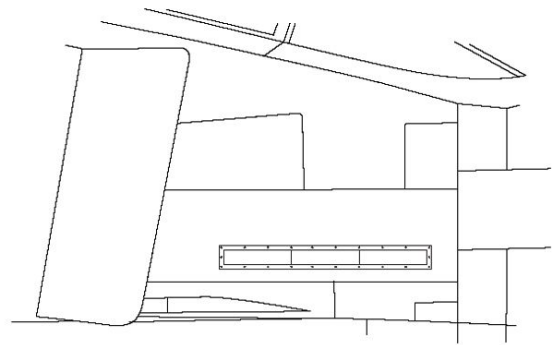
5) apply paint mask and paint the model



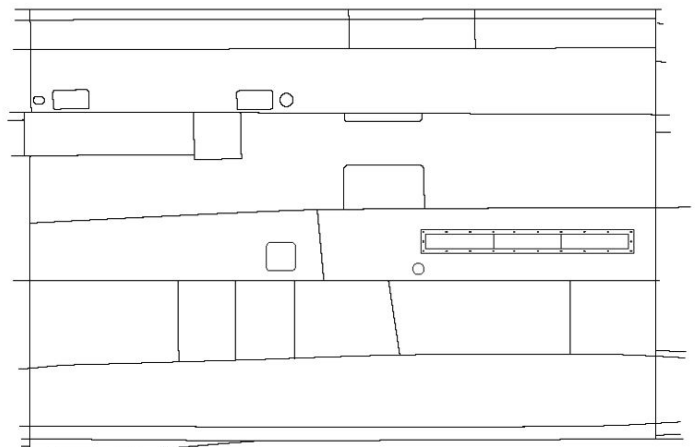
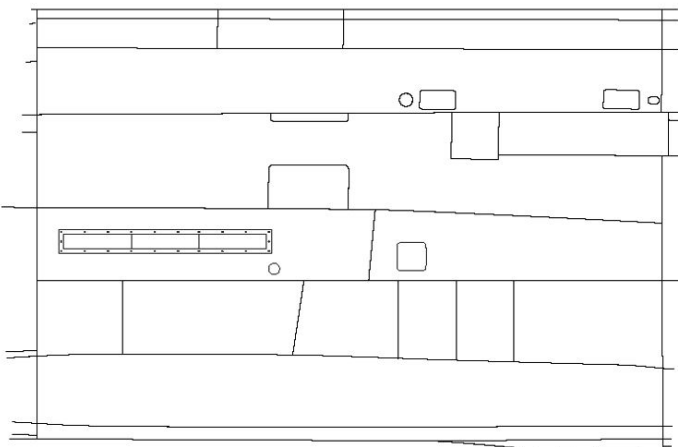
## Placement (actual scale size):



left side/port

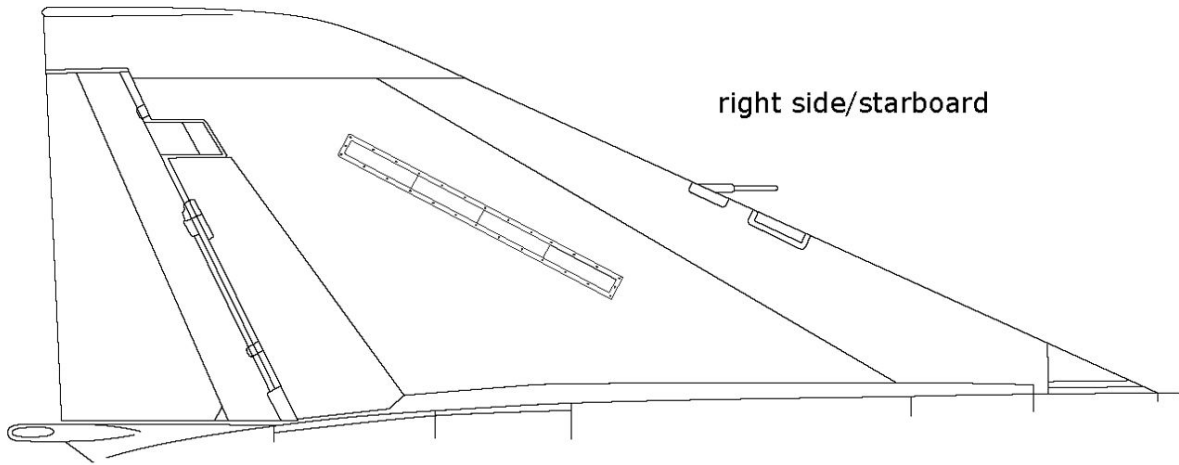
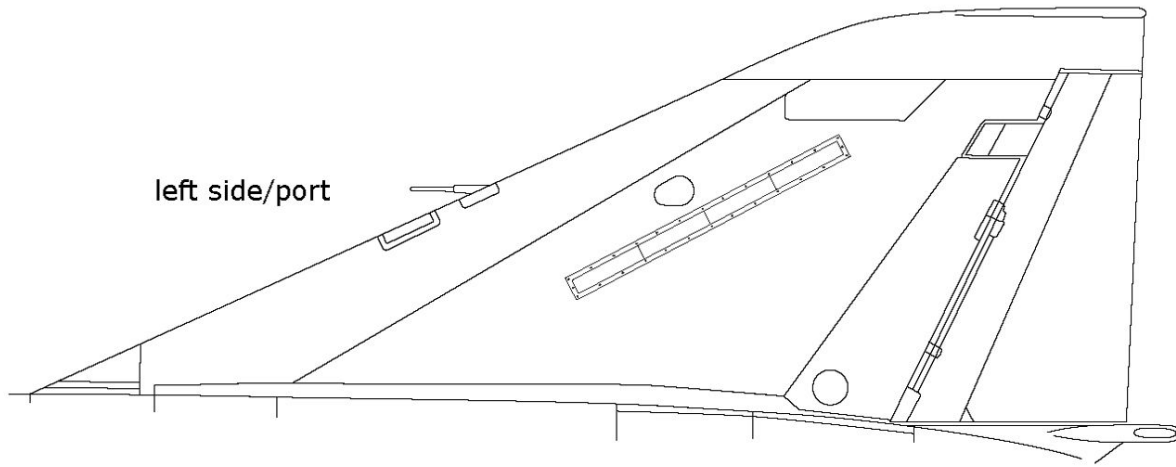


right side/starboard



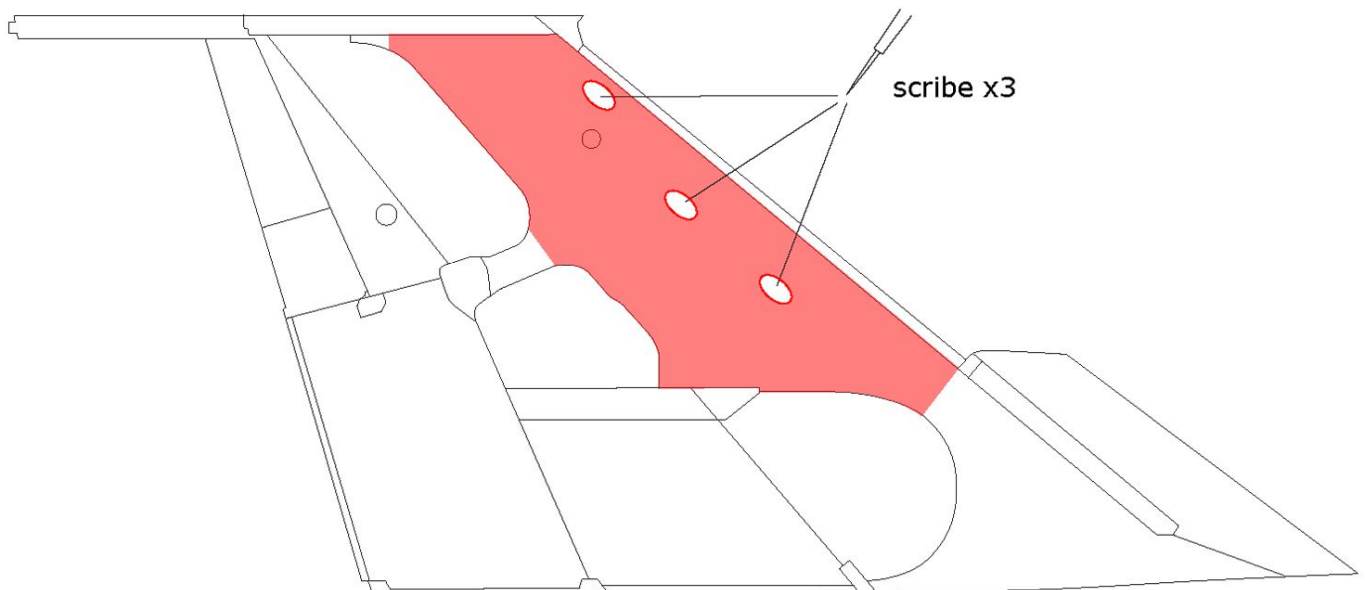


Placement (actual scale size):



#### 10. Upper wing access panels.

Most (all?) Greek F-4E have three additional access panels on the wing tops near the leading edge. A scribing mask set is included to make this addition relatively easy. Apply the mask as shown below and scribe with a needle type scribing tool.



left wing shown, repeat for right wing